

4

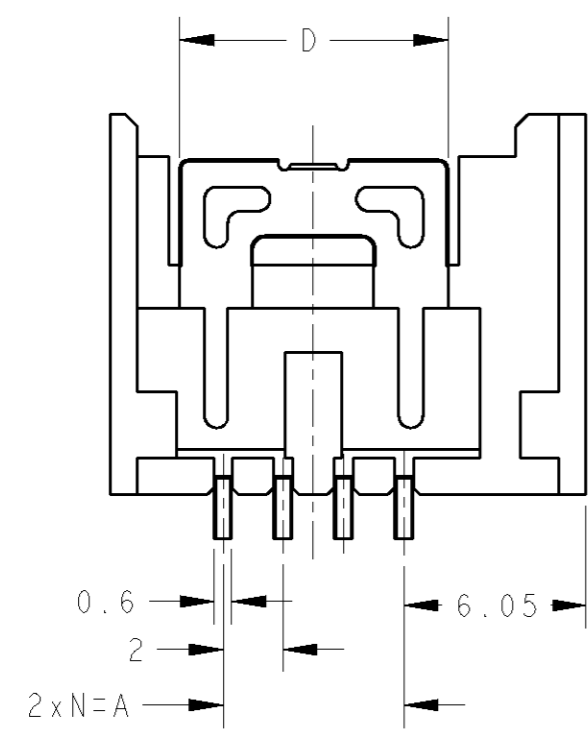
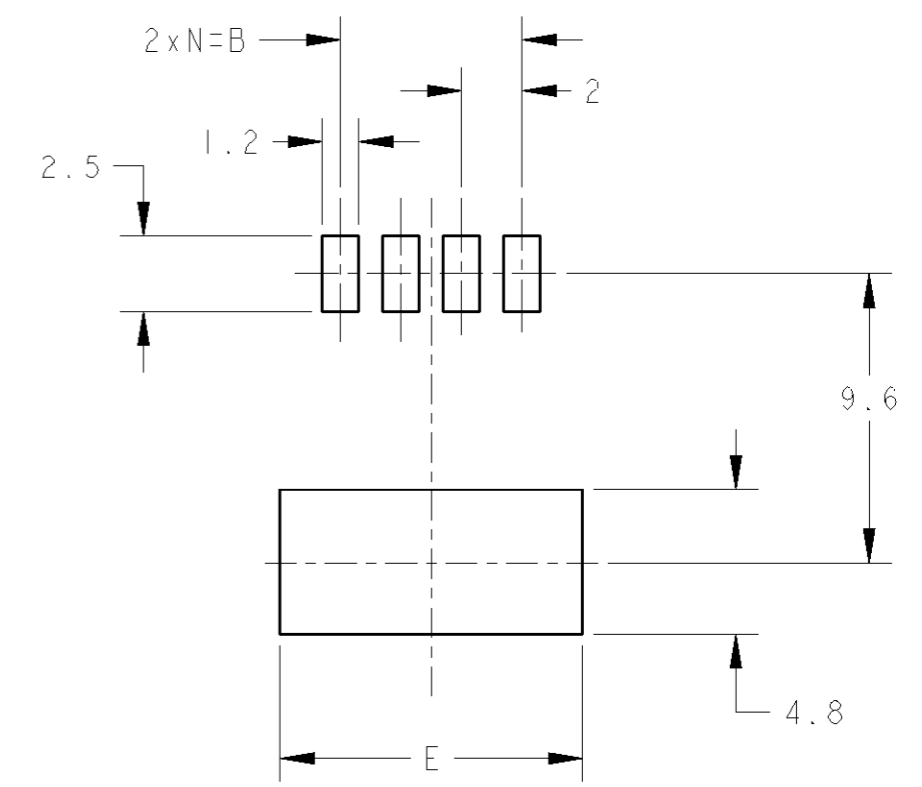
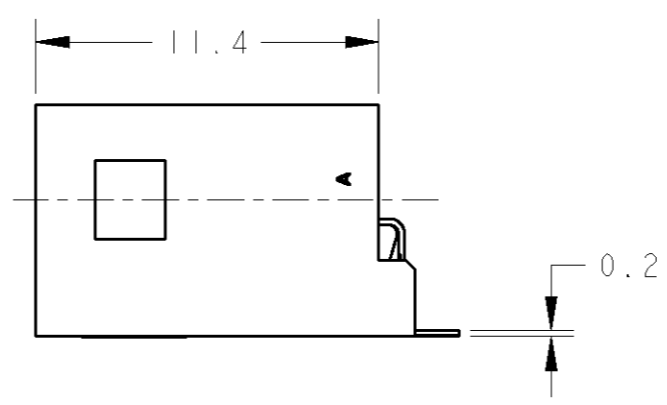
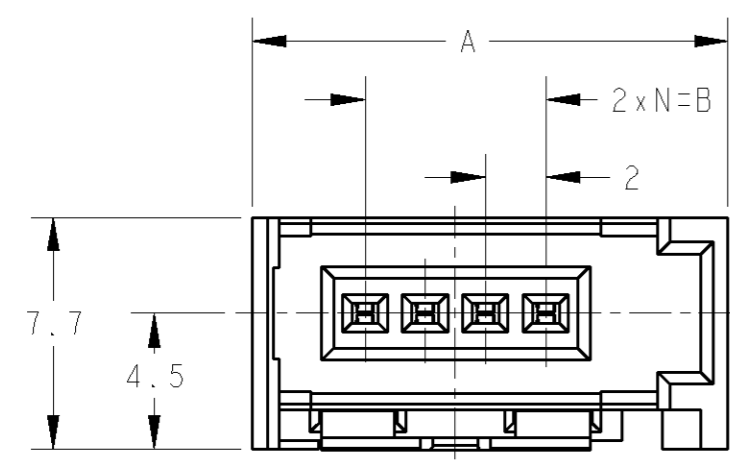
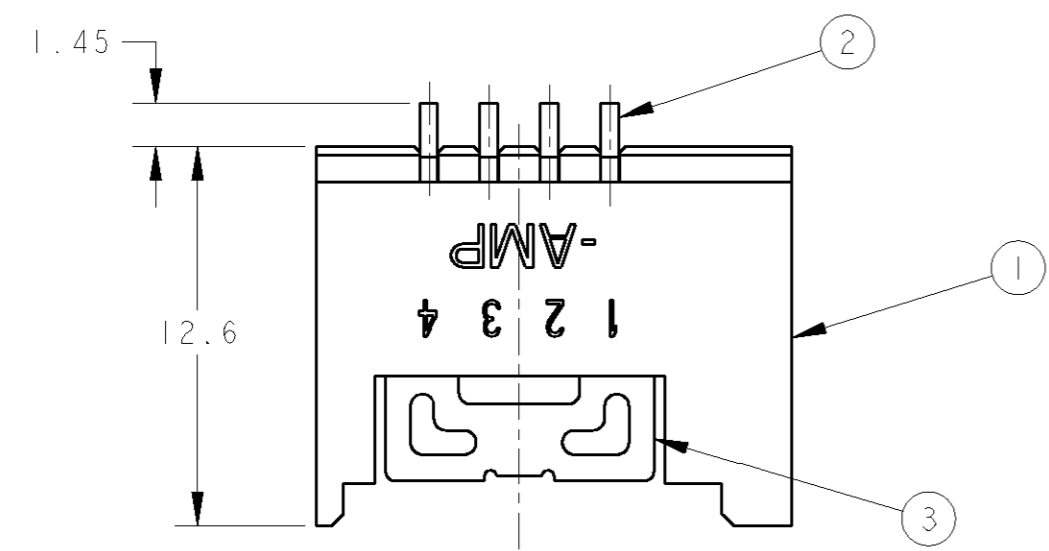
3

2

1

THIS DRAWING IS UNPUBLISHED. RELEASED FOR PUBLICATION
 © COPYRIGHT ALL RIGHTS RESERVED.

LOC	DIST	REVISIONS					
		P	LTR	DESCRIPTION	DATE	DWN	APVD
J	-	-	-	SEE SHEET 1	-	-	-



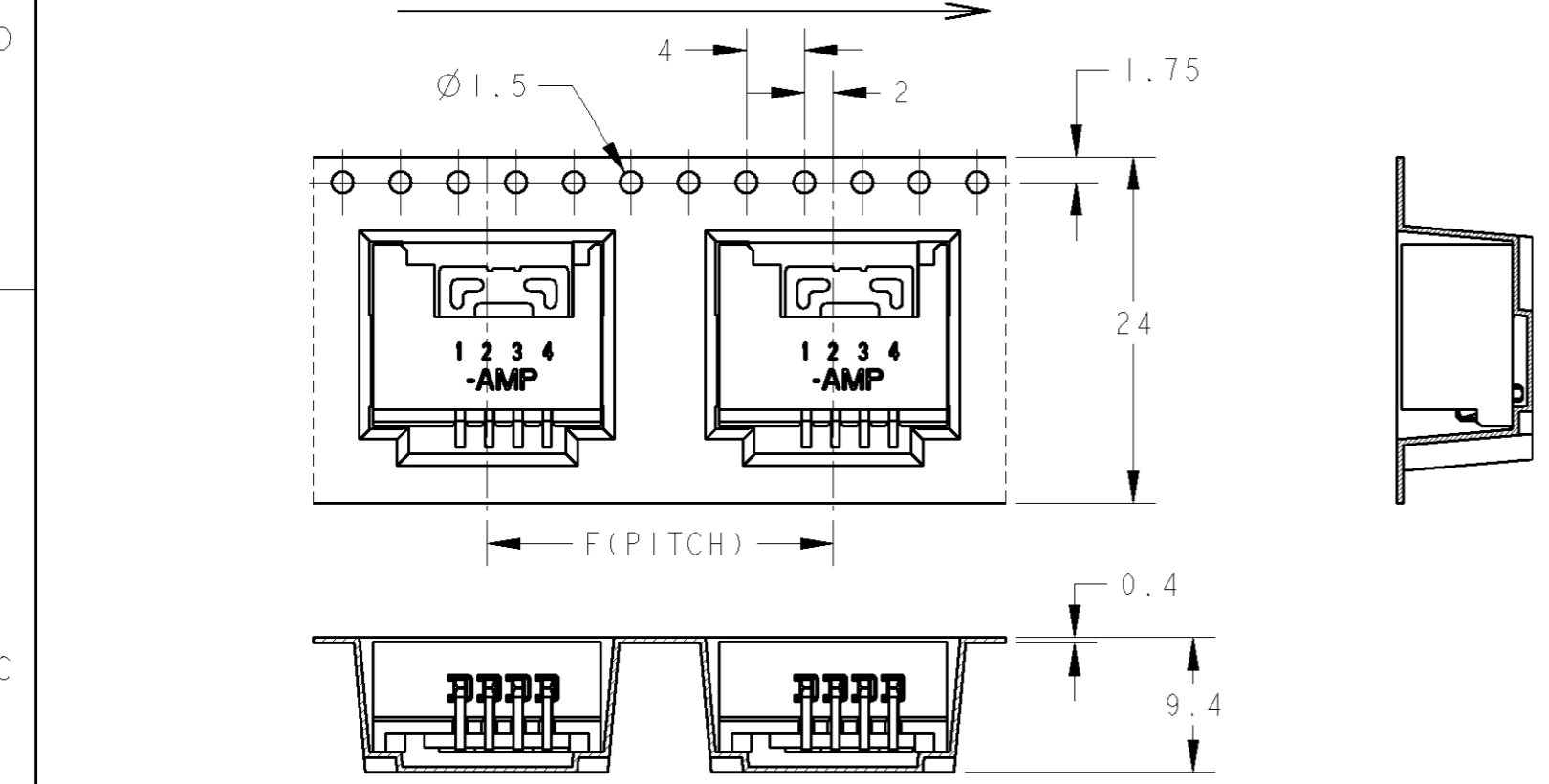
1-1565994-3, 4: AS SHOWN

参考基板寸法 (実装面側)
 REFERENCE DIMENSION OF PCB (MOUNTING SIDE)

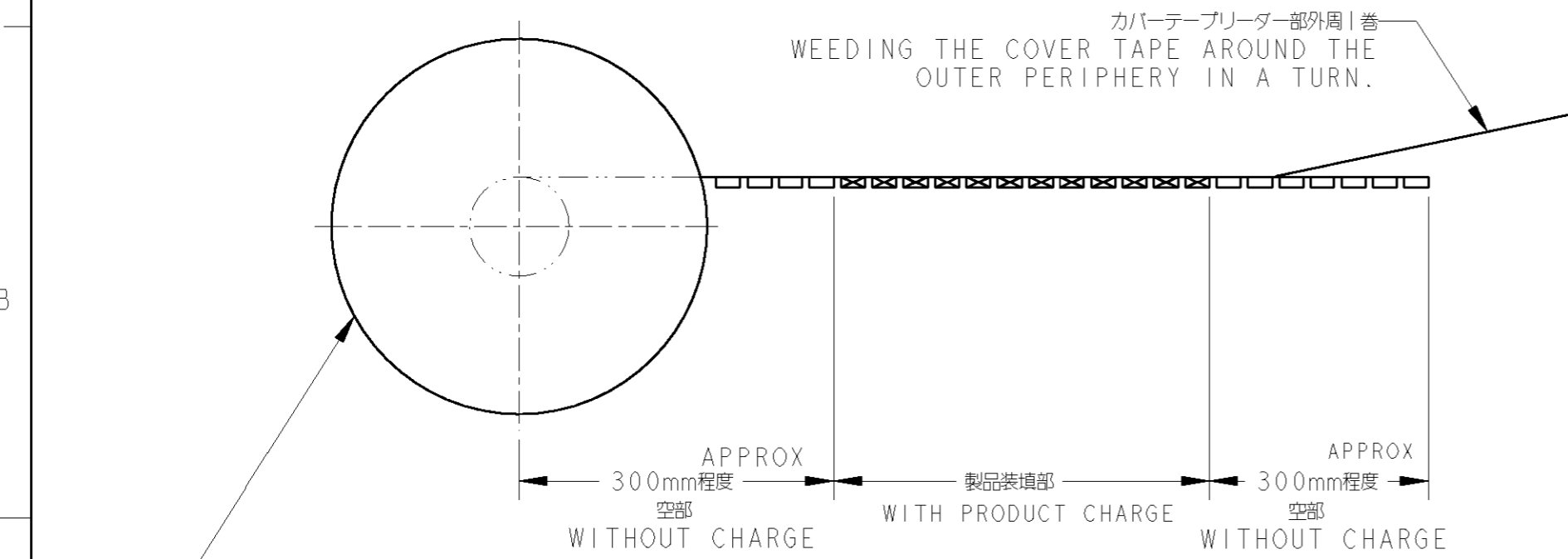
DIMENSIONS: 単位: 毫 mm		TOLERANCES UNLESS OTHERWISE SPECIFIED: 一般公差 ±0.25 0-PLC ± 1-PLC ±0.1 2-PLC ±0.01 3-PLC ±0.001 4-PLC ±0.0001 ANGLES ±3		DWN M. Kimura 18APR2002 CHR Y. KASHIWA 18APR2002 APVD Y. KASHIWA 18APR2002 PRODUCT SPEC 108-5765 APPLICATION SPEC 取付通用規格 - WEIGHT -		STE TE Connectivity	
MATERIAL 材料 -		FINISH 仕上 -		NAME 名称 HDR ASSEMBLY, RIGHT ANGLE SMT TYPE RITS CONNECTOR WITHOUT BOSS		SIZE A3 CAGE CODE 00779 DRAWING NO. 1565994 RESTRICTED TO -	
CUSTOMER DRAWING				SCALE 尺度 4:1		SHEET 2 OF 3 REV P	

THIS DRAWING IS UNPUBLISHED. RELEASED FOR PUBLICATION
 © COPYRIGHT ALL RIGHTS RESERVED.

LOC	DIST	REVISIONS					
		P	LTR	DESCRIPTION	DATE	DWN	APVD
J	-	-	-	SEE SHEET 1	-	-	-



PACKING STYLE



200	4	24	1-1565994-4
250	3	20	1-1565994-3
200	4	24	1565994-4
250	3	20	1565994-3
QTY	POS	F	PART NO.

REEL SIZE:
 330DIAx80DIA(HUB)x31.5W(25.5W INSIDE)

DIMENSIONS: 単位: 耗 mm	TOLERANCES UNLESS OTHERWISE SPECIFIED: 一般公差 ±0.3 0-PLC ± 1-PLC ± 2-PLC ± 3-PLC ± 4-PLC ± ANGLES ±3	DWN M. Kimura 18APR2002		NAME 名称 HDR ASSEMBLY, RIGHT ANGLE SMT TYPE RITS CONNECTOR EMBOSS ASSY	
		MATERIAL 材料 -			FINISH 仕上 -
CUSTOMER DRAWING			SCALE 尺度 NONE	SHEET 3 OF 3	REV P