

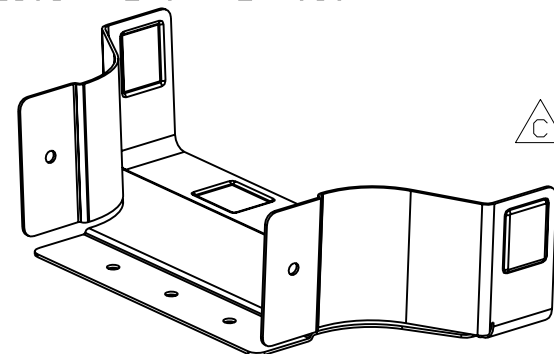
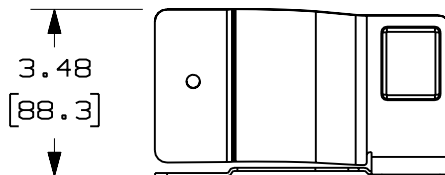
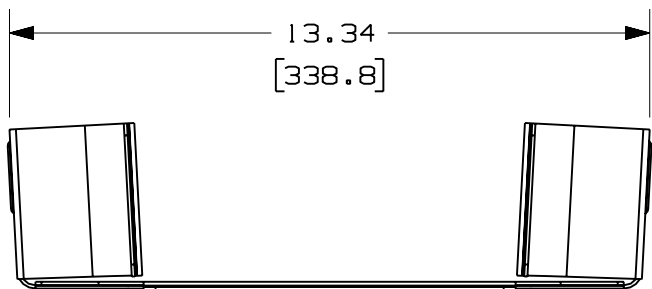
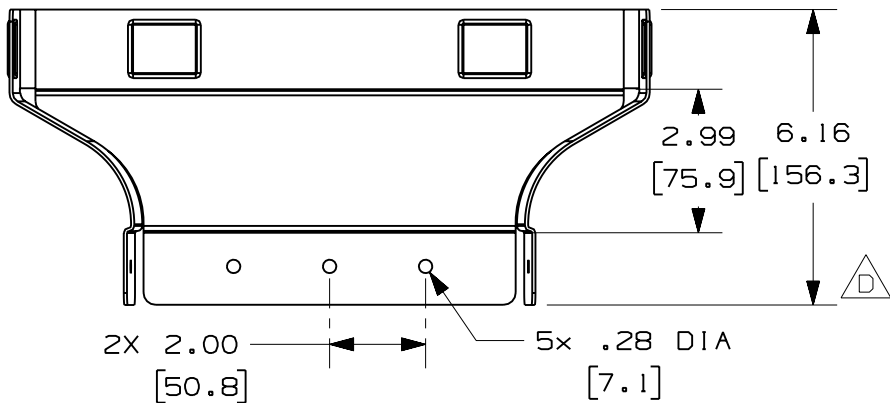
THIS COPY IS PROVIDED ON A RESTRICTED BASIS AND IS NOT TO BE USED IN ANY WAY DETRIMENTAL TO THE INTERESTS OF PANDUIT CORP.

PANDUIT PART NUMBER	WEIGHT
FRNWT128	1.77 LB/EACH (803g/EACH)



NOTES:

- SEE CURRENT CATALOG FOR ADDITIONAL PART SUFFIXES TO INDICATE PACKAGE QUANTITY.
- THE FIBERRUNNER 12x4 TO NEWTON 4x8 FIBER CABLE MANAGEMENT SYSTEM ADAPTER ATTACHES TO THE NEWTON 4x8 SOLID AND/OR SLOTTED WALL CHANNEL USING THE SUPPLIED HARDWARE LISTED BELOW. THE ADAPTER ACCEPTS THE FIBERRUNNER 12x4 QUIKLOCK COUPLER WHICH THEN ALLOWS FOR THE ATTACHMENT OF THE FIBERRUNNER 12x4 CABLE ROUTING SYSTEM.
- THE FIBERRUNNER 12x4 TO NEWTON 4x8 FIBER CABLE MANAGEMENT SYSTEM ADAPTER INCLUDES:  
ONE (1) ADAPTER,  
FIVE (5) 1/4-20x5/8" NYLON COMBINATION BINDING HEAD MACHINE SCREWS,  
FIVE (5) 1/4-20 NYLON DECO WING NUTS.
- FINISH COLOR: BLACK
- DIMENSIONS IN PARENTHESIS ARE IN METRIC.



ENG. REF.: D38957BF\_DC\_FRNWT128\_02.prt

CAD FILENAME/LAYERS: FRNWT128.pdf

REV	DATE	BY	CHK	DESCRIPTION	ECN	R	CUST	SUP	GMBH
3	7-12-06	MSO	RN	F. REVISED PART WEIGHT E. REVISED DRAWING TITLE.	38957-07	RN	RN		
-	-----	---	---	D. REVISED GENERAL NOTE NUMBER 3.	-----	--	--		
2	5-3-05	MSO	RPA	C. REVISED PART GEOMETRY. B. REVISED DRAWING TITLE.	38957-07	RN	RN		
1	1-17-05	MSO	RPA	A. REVISED DRAWING TITLE.	38957-07	RN	RN		
R	11-17-04	MSO	RPA	RELEASED TO PRODUCTION	38957-07	RN	RN		

**PANDUIT** CORP TINLEY PARK, ILLINOIS

FIBERRUNNER 12x4 TO NEWTON 4x8 FIBER CABLE MANAGEMENT SYSTEM ADAPTER (FRNWT128)

CUSTOMER DRAWING

UNLESS OTHERWISE SPECIFIED, DIMENSIONAL TOLERANCES ARE:  
 (.X) ± (.XXX) ±  
 (.XX) ± .03 (.8) ANGLES ±

UNLESS OTHERWISE SPECIFIED, ALL DIMENSIONS ARE GIVEN IN INCHES, THIRD ANGLE PROJECTION.

DRAWN BY: MSO MAT'L: STEEL

DATE: 11-17-04

SCALE: NONE

DRAWING NO.: 38957-07 DWG SIZE: A