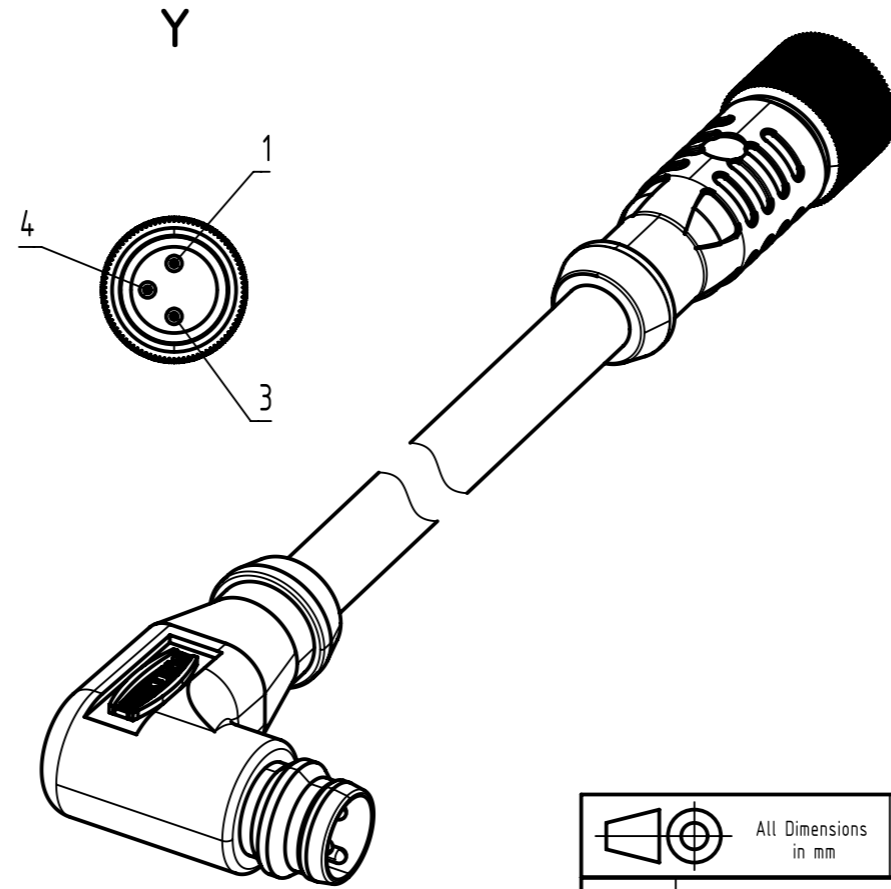
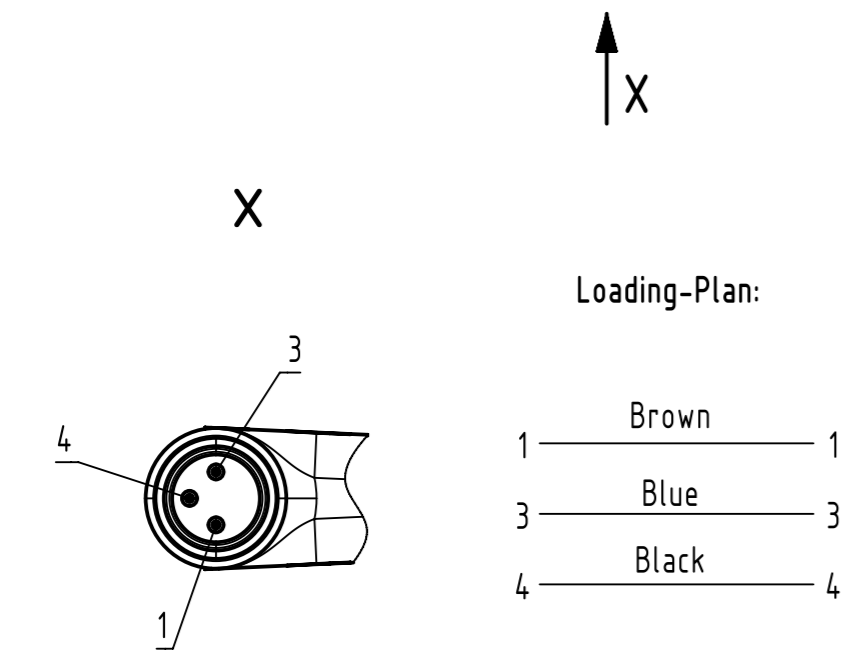
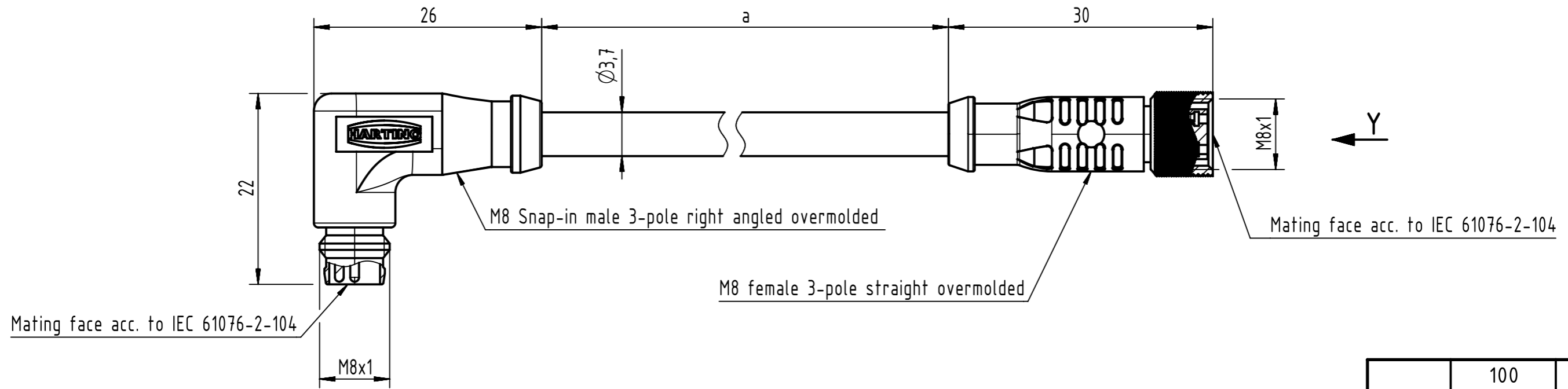


Connector Location A

Connector Location B



length in "1m" step	100	XXX=000
	99	XXX=990

	12	XXX=120
	11	XXX=110
length in "0.1m" step	10	XXX=100
	9.9	XXX=099
	9.8	XXX=098

	0.5	XXX=005
	0.4	XXX=004
	0.3	XXX=003
	0.2	XXX=002
Step	a [m]	XXX

6.0 to 100	$\pm 1\%$
0.6 to 5.9	+0.04
0.2 to 0.5	+0.02
a [m]	Tolerance

3x0.25mm ² , PUR, black	2136D3D5328XXX
Type of cable	Part no.

- Protection level: IP 65
 - Temperature range: -40°C...+85°C

All Dimensions in mm		Tech. Character.		Free size tol.		According to production drawing	
All rights reserved Department HCS - RO	Created by MUNTEANV Muntean	Inspected by MUNTEANV Muntean	Standardisation MUNTEANV Muntean	Date 2018-06-08	State Final Release		
	Title M8 Cable Assembly			Doc-Key / ECM-Nr. 100710200/UGD/000/C 500000136135		Rev. C	
HARTING Customised Solutions D-32339 Espelkamp		Type TB	Number 2136D3D5328XXX				