

THIS DRAWING IS UNPUBLISHED. RELEASED FOR PUBLICATION  
 © COPYRIGHT BY TYCO ELECTRONICS CORPORATION. ALL RIGHTS RESERVED.

LOC		DIST		REVISIONS			
P	LTR	DESCRIPTION		DATE	DWN	APVD	
AF	50	D		REV PER ECR 06-006952	30MAR06	JR	GJ

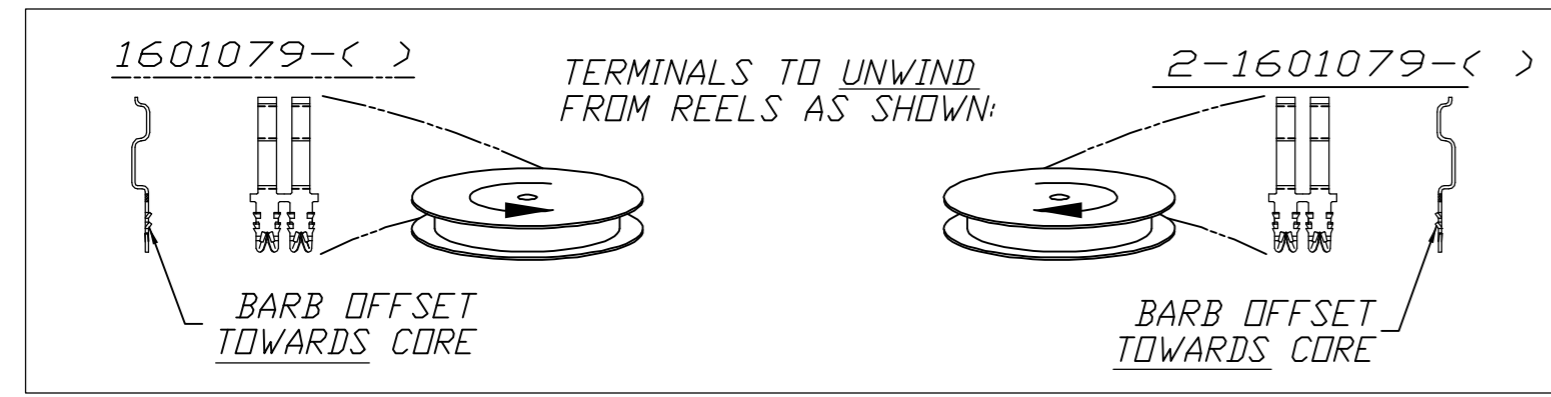
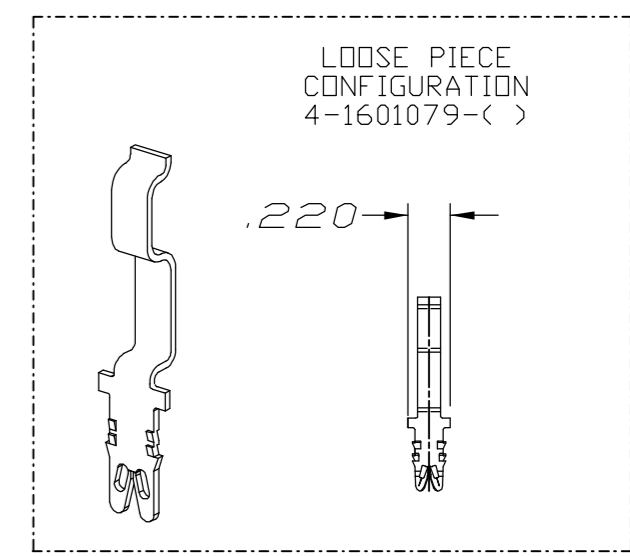
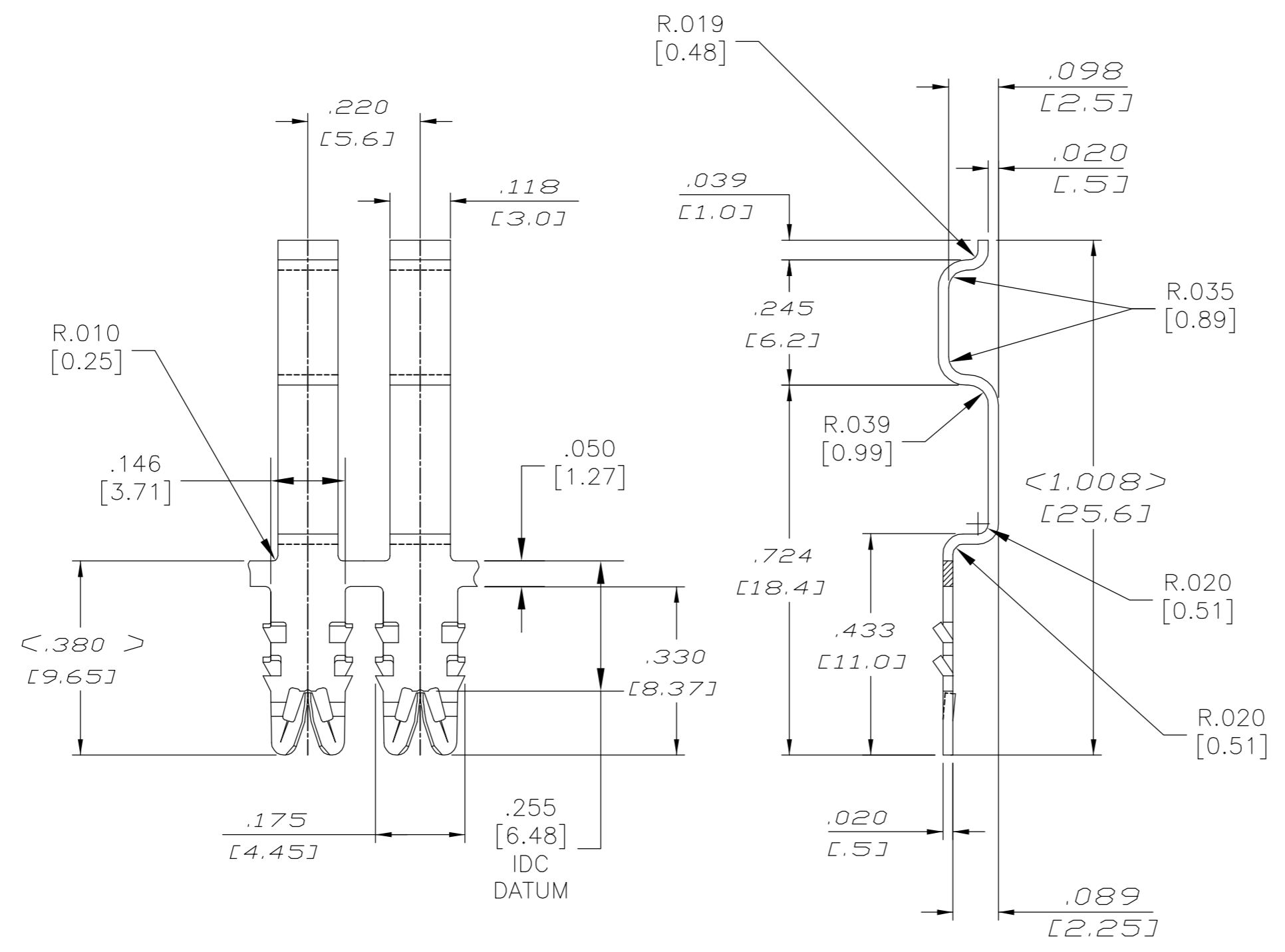
1. SPECIFICATIONS:  
 MAGNET WIRE #18 - #34 AWG,  
 .040" (1.02MM) - .006" (0.16MM) DIA COPPER.  
 OTHER SIZES MAY BE ACCOMMODATED,  
 CONSULT TYCO ELECTRONICS FOR APPROVAL.

2. POCKET RECOMMENDATION:  
 #1601425

3. NOTES:  
 TERMINALS SUPPLIED ON REELS,  
 CAN BE SUPPLIED LOOSE PIECE,

4. TERMINAL APPLICATION TO COMPLY WITH  
 TYCO ELECTRONICS SPEC #114-13166, FIG. 9

5. PRELIMINARY - NOT FOR PRODUCTION



OBSOLETE

	-	-	-
	Pre-Tin Plate over Nickel Underplate	-	5 2-1601079-3
	Pre-Tin plate over Nickel Underplate	-	5 1601079-3
	<del>Pre-Silver Plate over Nickel Underplate</del>	<del>031-149-025</del>	<del>4-1601079-2</del>
	Pre-Silver Plate over Nickel Underplate	131-150-025	2-1601079-2
	Pre-Silver Plate over Nickel Underplate	131-149-025	1601079-2
	FINISH	REFERENCE PART NUMBER	TYCO PART NUMBER
THIS DRAWING IS A CONTROLLED DOCUMENT.		DWN J.WELLER 11JAN2002	Tyco Electronics Corporation Harrisburg, PA 17105-3608
DIMENSIONS: INCHES		CHK M.FEHER 11JAN2002	
TOLERANCES UNLESS OTHERWISE SPECIFIED:		APVD K.RANDOLPH 11JAN2002	
0 PLC ± - 1 PLC ± - 2 PLC ± .01 [0.25] 3 PLC ± .005 [0.13] 4 PLC ± - ANGLES ± 2°		PRODUCT SPEC 108-2085	NAME STANDARD RANGE WIRE TO MULTI-BARB 45 MM CONTACTOR SIAMEZE TERMINAL
MATERIAL H04 FULL HARD	FINISH SEE TABLE	WEIGHT -	SIZE A2 CAGE CODE 00779 DRAWING NO C=1601079 RESTRICTED TO -
CUSTOMER DRAWING		SCALE 4:1	SHEET 1 OF 1 REV D