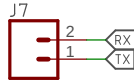
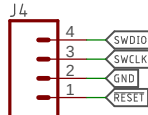
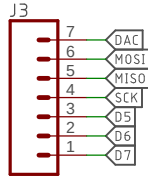
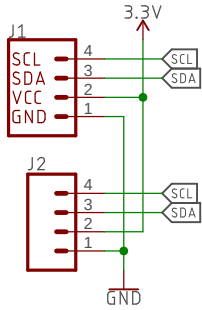
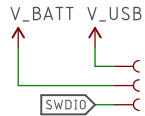


Headers



Testpoints

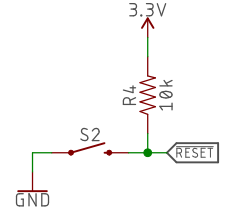


Microcontroller – SAMD21E

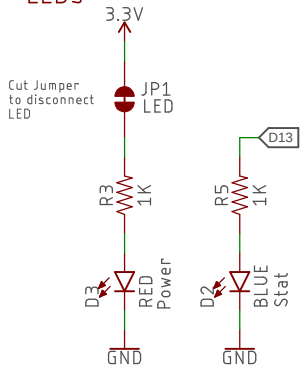
Notes on SERCOM Ports

- Sercom 0 – SPI1
- Sercom 1 – SPI2/Flash
- Sercom 2 – I2C
- Sercom 3 – Serial
- Sercom 4 – only 2 ports on crystal pins

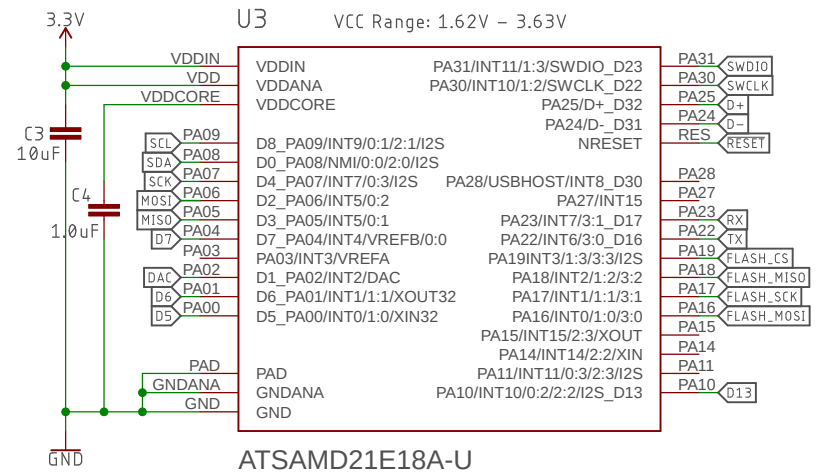
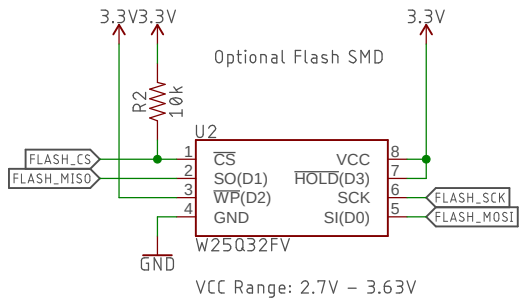
Reset Button



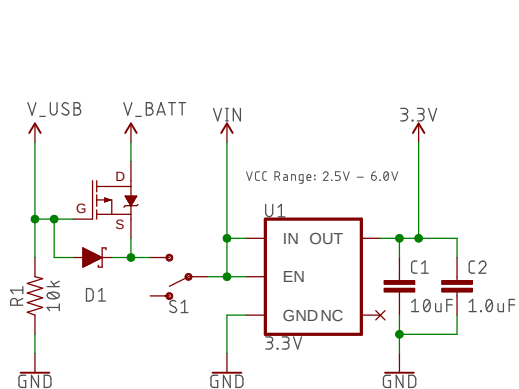
LEDs



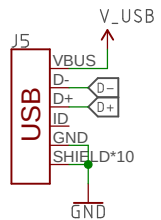
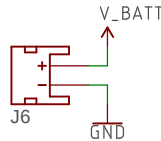
Flash



Power



Optional Lipo Connector



Released under the Creative Commons Attribution Share-Alike 4.0 License https://creativecommons.org/licenses/by-sa/4.0/	
TITLE: SparkFun_Qwiic_Micro_SAMD21E	
Design by: Michelle Shorter	REV: V10
Revised By: Elias Santistevan	
Date: 10/23/2019 11:47 AM	Sheet: 1/1