
5 V-2 A, 115 kHz flyback with temporary extra-power management based on the VIPER28HN

Data brief

**Description**

This document describes a 5 V-2 A application with 3.3 A peak current capability for 1.9 sec, using VIPer28H, a new off-line high voltage converter from STMicroelectronics.

In some applications an SMPS, normally supposed to deliver a certain amount of power, from time to time undergoes load peaks that can be even two or more times as much, but only for a time interval which is short if compared to the thermal time constants of the power components. Typical examples of such loads are printers and audio systems.

In these cases, it is more cost-effective to thermally design the system for the maximum continuous power and not for the peak power demand, which will be sustained only for a limited time window.

Such a design is possible thanks to the EPT function of VIPER28H, which allows the designer to fix the maximum time window during which the converter is able to manage the peak power still maintaining output voltage regulation. If the overload lasts more than this time window, the converter is automatically shut down in auto-restart mode, in order to avoid the damaging of the power components.

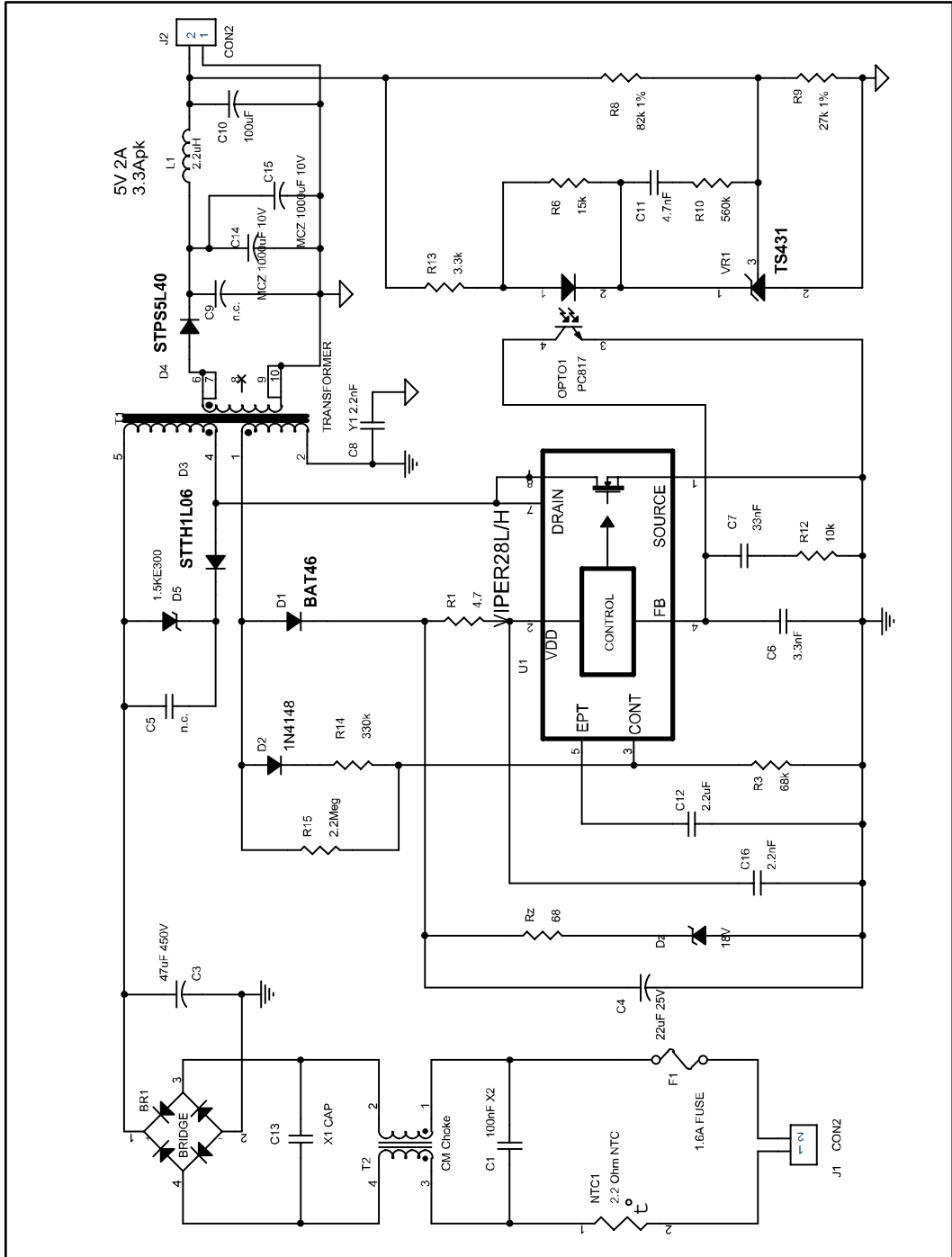
Features

- Input Voltage range: 90 V_{RMS} to 265 V_{RMS}
- Output Voltage: 5 V
- Max Output Current: I_{OUTmax} 2 A
- Peak Output Current: I_{OUTpk} 3 A
- Precision of output regulation: $\Delta V_{OUT_LF} \pm 5\%$
- High Frequency output Voltage ripple: ΔV_{OUT_HF} 50 mV
- Max ambient operating temperature: TA 60 °C
- 800 V avalanche rugged power section
- PWM operation , at 115 kHz with frequency jittering for lower EMI
- Limiting current with adjustable set point
- On-board soft-start
- Safe auto-restart after a fault condition, low stand-by power (< 50 mW at 265 Vac)
- Adjustable and accurate over voltage protection, thermal shutdown with hysteresis, delayed overload protection
- RoHS compliant

1 Schematic circuit

1.1 Schematic circuit

Figure 1: Schematic circuit



2 Revision history

Table 1: Document revision history

Date	Revision	Changes
10-Dec-2013	1	First release

Please Read Carefully

Information in this document is provided solely in connection with ST products. STMicroelectronics NV and its subsidiaries ("ST") reserve the right to make changes, corrections, modifications or improvements, to this document, and the products and services described herein at any time, without notice.

All ST products are sold pursuant to ST's terms and conditions of sale.

Purchasers are solely responsible for the choice, selection and use of the ST products and services described herein, and ST assumes no liability whatsoever relating to the choice, selection or use of the ST products and services described herein.

No license, express or implied, by estoppel or otherwise, to any intellectual property rights is granted under this document. If any part of this document refers to any third party products or services it shall not be deemed a license grant by ST for the use of such third party products or services, or any intellectual property contained therein or considered as a warranty covering the use in any manner whatsoever of such third party products or services or any intellectual property contained therein.

UNLESS OTHERWISE SET FORTH IN ST'S TERMS AND CONDITIONS OF SALE ST DISCLAIMS ANY EXPRESS OR IMPLIED WARRANTY WITH RESPECT TO THE USE AND/OR SALE OF ST PRODUCTS INCLUDING WITHOUT LIMITATION IMPLIED WARRANTIES OF MERCHANTABILITY, FITNESS FOR A PARTICULAR PURPOSE (AND THEIR EQUIVALENTS UNDER THE LAWS OF ANY JURISDICTION), OR INFRINGEMENT OF ANY PATENT, COPYRIGHT OR OTHER INTELLECTUAL PROPERTY RIGHT.

ST PRODUCTS ARE NOT DESIGNED OR AUTHORIZED FOR USE IN: (A) SAFETY CRITICAL APPLICATIONS SUCH AS LIFE SUPPORTING, ACTIVE IMPLANTED DEVICES OR SYSTEMS WITH PRODUCT FUNCTIONAL SAFETY REQUIREMENTS; (B) AERONAUTIC APPLICATIONS; (C) AUTOMOTIVE APPLICATIONS OR ENVIRONMENTS, AND/OR (D) AEROSPACE APPLICATIONS OR ENVIRONMENTS. WHERE ST PRODUCTS ARE NOT DESIGNED FOR SUCH USE, THE PURCHASER SHALL USE PRODUCTS AT PURCHASER'S SOLE RISK, EVEN IF ST HAS BEEN INFORMED IN WRITING OF SUCH USAGE, UNLESS A PRODUCT IS EXPRESSLY DESIGNATED BY ST AS BEING INTENDED FOR "AUTOMOTIVE, AUTOMOTIVE SAFETY OR MEDICAL" INDUSTRY DOMAINS ACCORDING TO ST PRODUCT DESIGN SPECIFICATIONS. PRODUCTS FORMALLY ESCC, QML OR JAN QUALIFIED ARE DEEMED SUITABLE FOR USE IN AEROSPACE BY THE CORRESPONDING GOVERNMENTAL AGENCY.

Resale of ST products with provisions different from the statements and/or technical features set forth in this document shall immediately void any warranty granted by ST for the ST product or service described herein and shall not create or extend in any manner whatsoever, any liability of ST.

ST and the ST logo are trademarks or registered trademarks of ST in various countries.

Information in this document supersedes and replaces all information previously supplied.

The ST logo is a registered trademark of STMicroelectronics. All other names are the property of their respective owners.

© 2013 STMicroelectronics - All rights reserved

STMicroelectronics group of companies

Australia - Belgium - Brazil - Canada - China - Czech Republic - Finland - France - Germany - Hong Kong - India - Israel - Italy
- Japan - Malaysia - Malta - Morocco - Philippines - Singapore - Spain - Sweden - Switzerland - United Kingdom - United
States of America

www.st.com