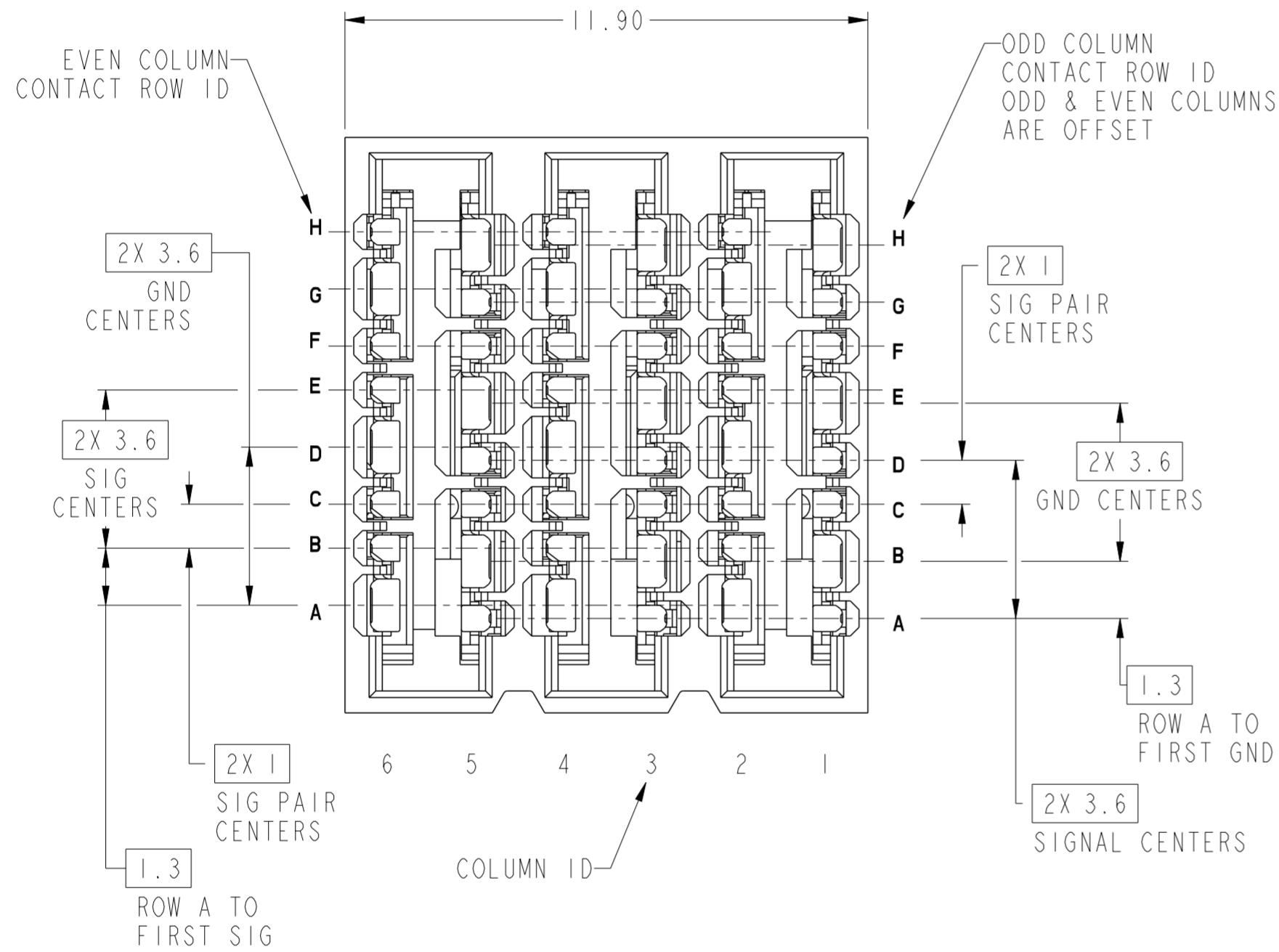
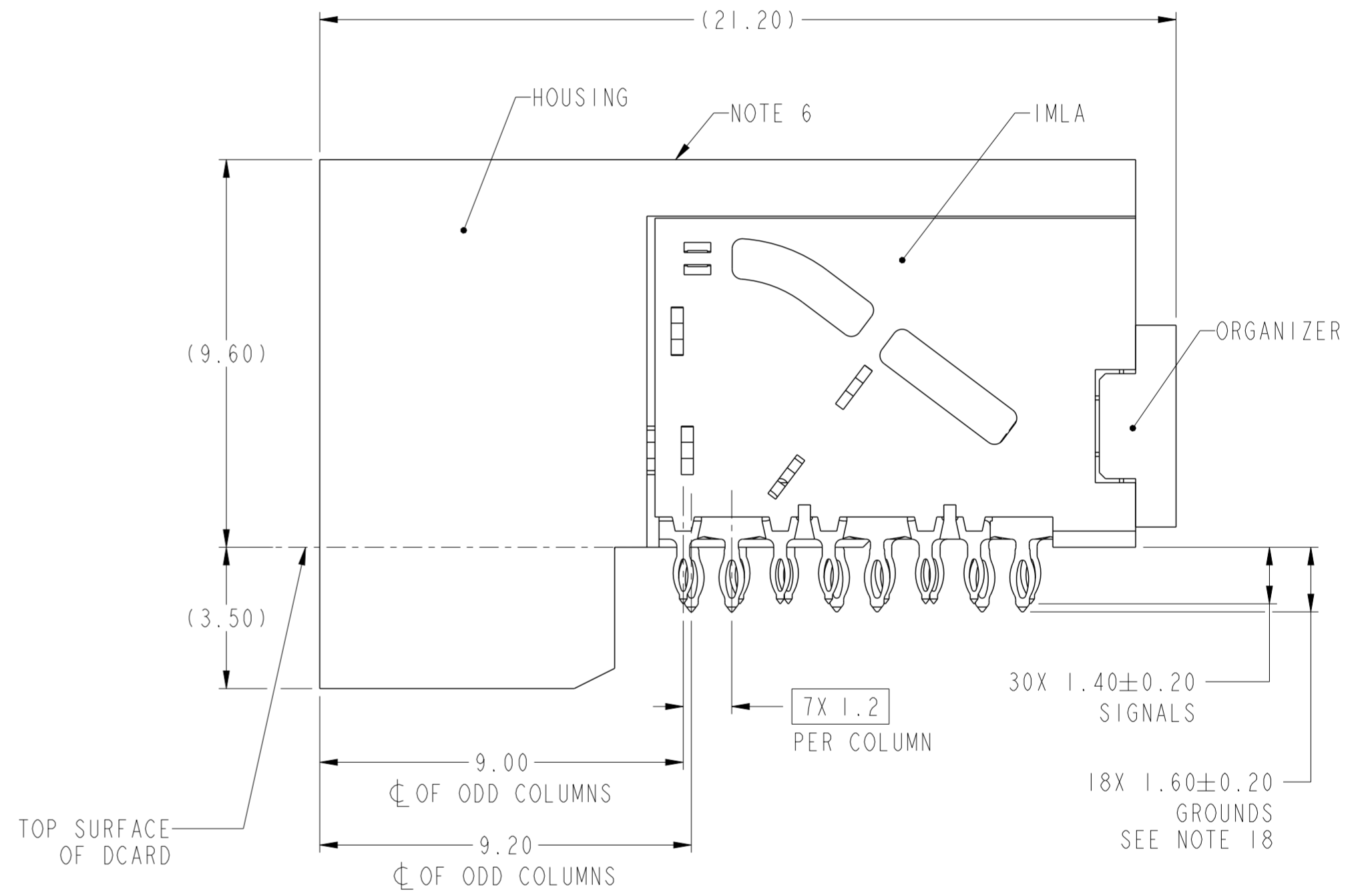


PRODUCT NUMBER  
SEE TABLE



10128332-101LF  
STANDARD MATE RECEPTACLE

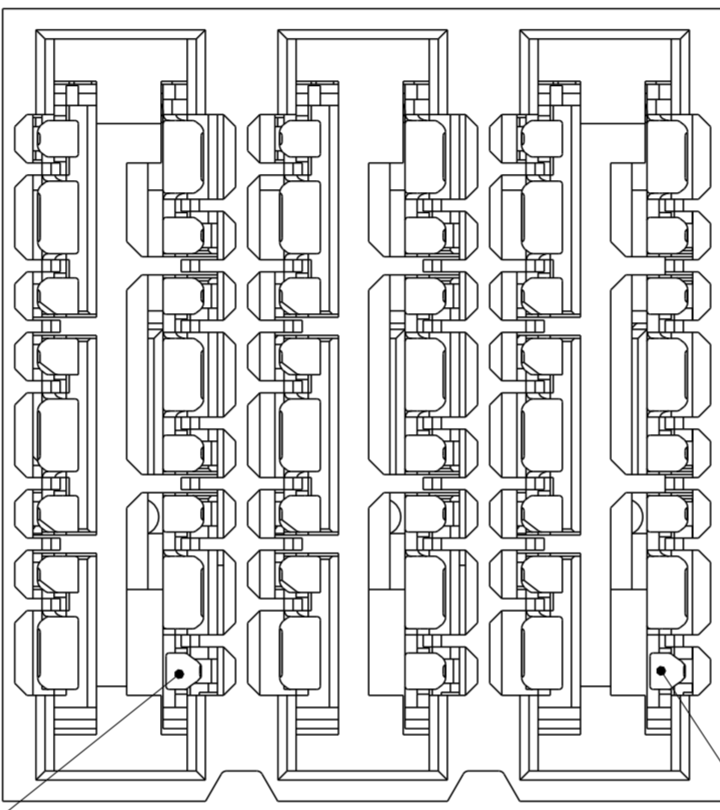


spec ref	---	dr	Daniel Xiao	2014/01/21	projection	MM	size	A2	scale	8:1
tolerance std	ASME Y14.5M	eng	Terry Luo	2017/01/20			ecn no	-	rel level	Released
TOLERANCES UNLESS OTHERWISE SPECIFIED		chr	Heaven Cen	2017/01/20						
		appr	Pai-Ming Zheng	2017/01/20						
surface	linear	0.X	±.3		product family		ExaMAX	title ExaMAX R.A. RECEPTACLE LOW PROFILE ASS'Y, 2 PR, 48 POS, 6 IMLA, 12.0 MM cat. no. SEE TABLE	Product - Customer Drw	sheet 1 of 10
		0.XX	±.10		rel level	Released				
		0.XXX	±.050		size	A2				
	angular	0°	±°	dwg no	10128332	rev	A			

PDS: Rev :A

STATUS:Released

Printed: Jan 20, 2017



ADVANCED MATE POSITION A5  
SEE NOTE 13

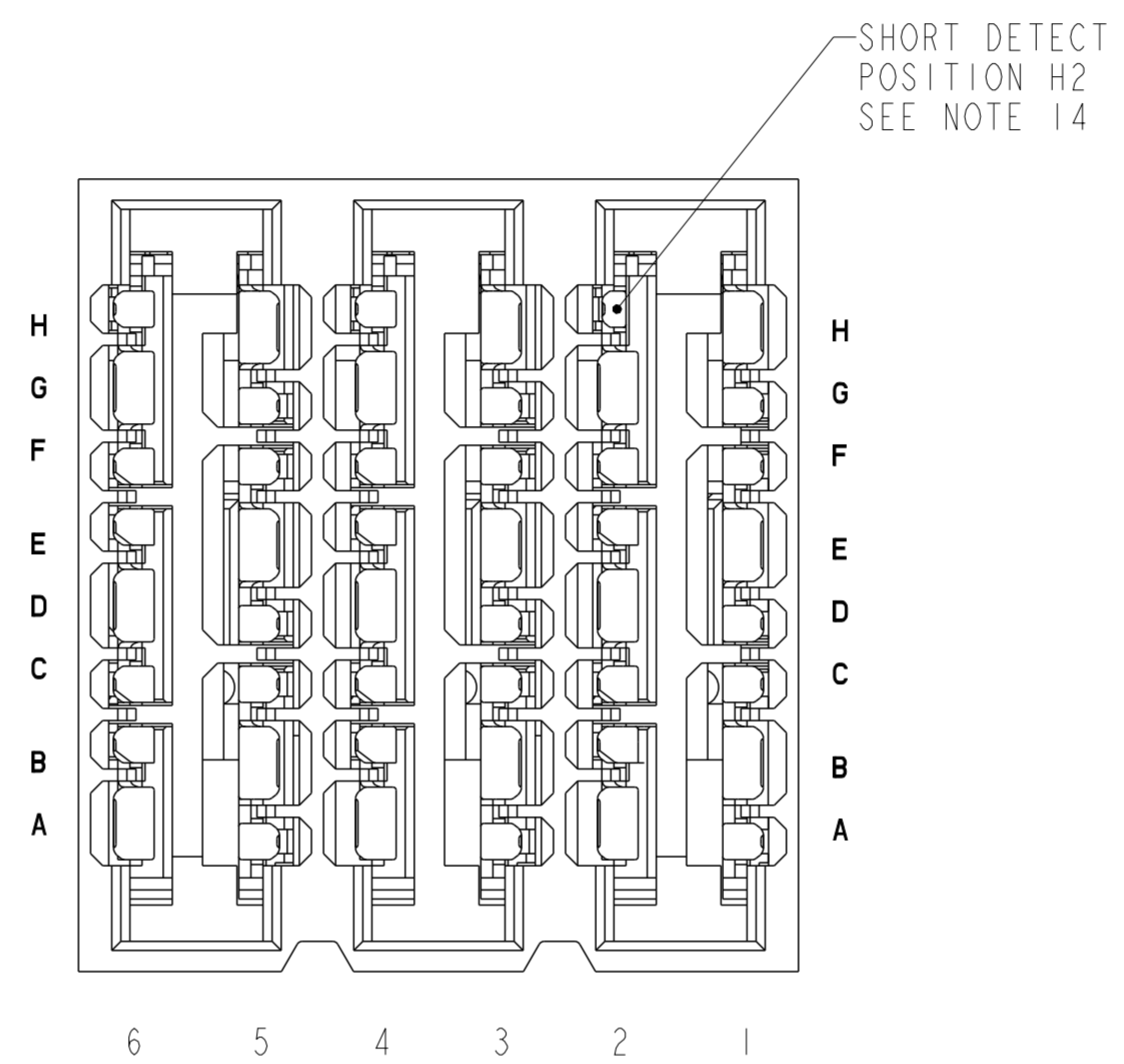
ADVANCED MATE POSITION A1  
SEE NOTE 13

**10128332-201LF**  
**ADVANCED MATE RECEPTACLE**  
 ADVANCED MATE POSITIONS ARE POSITIONS A1 AND A5 ONLY  
 FOR ALL DIMENSIONS SEE 10128332-101LF ON SHEET 1

Amphenol  
FCi

© 2016 AFci

spec ref	---	dr	Daniel Xiao	2014/01/21	projection	MM	size	A2	scale	8:1	
tolerance std	ASME Y14.5M	eng	Terry Luo	2017/01/20			ecn no	-			
TOLERANCES UNLESS OTHERWISE SPECIFIED		chr	Heaven Cen	2017/01/20			rel level	Released			
		appr	Pai-Ming Zheng	2017/01/20							
surface	-		title		ExaMAX R.A. RECEPTACLE LOW PROFILE ASS'Y, 2 PR, 48 POS, 6 IMLA, 12.0 MM		dwg no	10128332		rev	A
linear	0.X ±.3 0.XX ±.10 0.XXX ±.050		cat. no.	SEE TABLE	Product	Customer Drw	sheet 2 of 10				
angular	0° ±°										

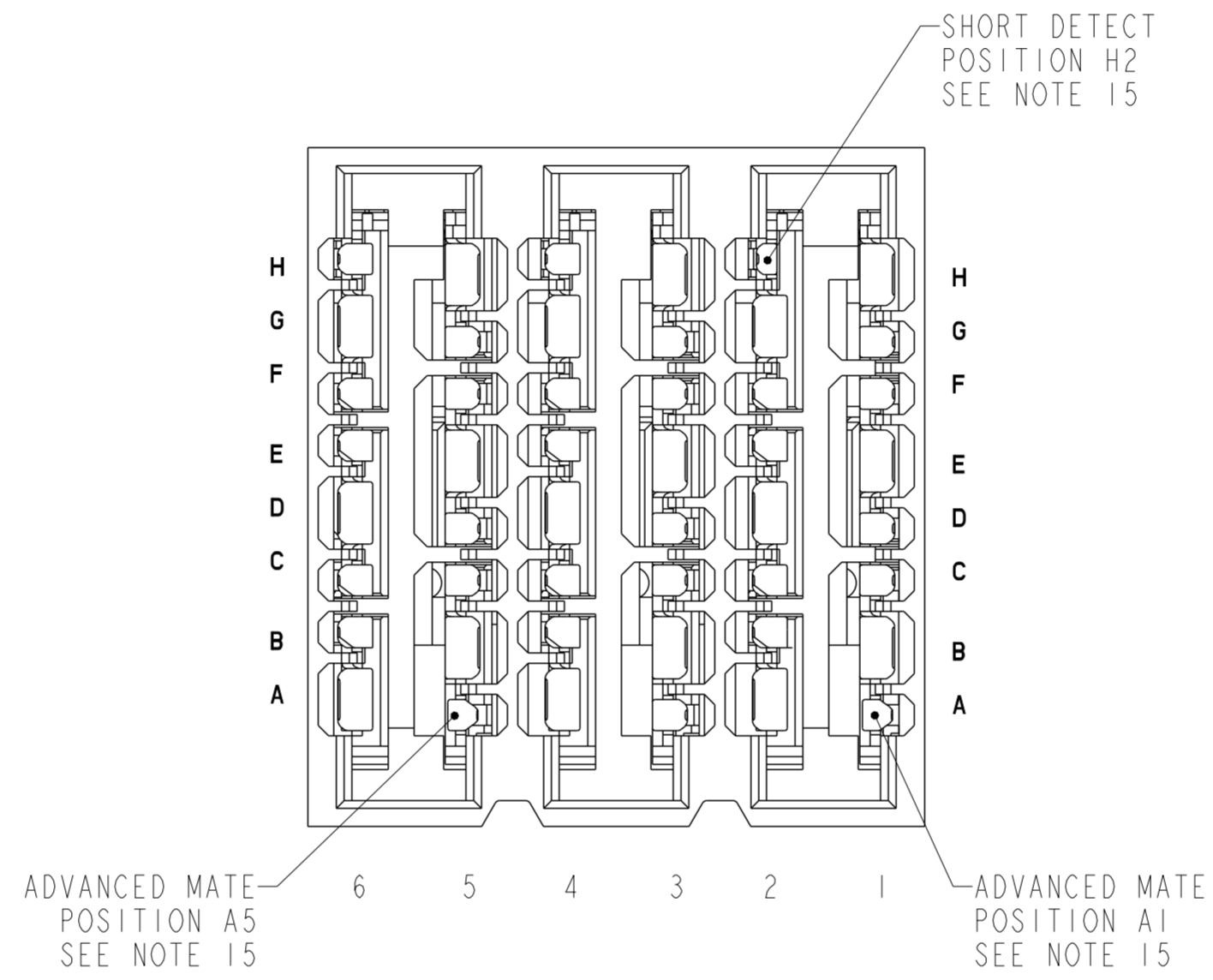


**10128332-301LF**  
**SHORT DETECT RECEPTACLE**  
**SHORT DETECT POSITION IS H2**  
**FOR ALL DIMENSIONS SEE 10128332-101LF ON SHEET 1**

**Amphenol  
FCi**

© 2016 AFci

spec ref	---	dr	Daniel Xiao	2014/01/21	projection	MM	size	A2	scale	10:1												
tolerance std	ASME Y14.5M	eng	Terry Luo	2017/01/20			ecn no	-														
TOLERANCES UNLESS OTHERWISE SPECIFIED		chr	Heaven Cen	2017/01/20			rel level	Released														
surface	<table border="1"> <tr> <td>linear</td> <td>0.X</td> <td>±.3</td> </tr> <tr> <td></td> <td>0.XX</td> <td>±.10</td> </tr> <tr> <td></td> <td>0.XXX</td> <td>±.050</td> </tr> <tr> <td>angular</td> <td>0°</td> <td>±°</td> </tr> </table>	linear	0.X	±.3				0.XX	±.10		0.XXX	±.050	angular	0°	±°	appr	Pai-Ming Zheng	2017/01/20	product family	ExaMAX	rel level	Released
linear	0.X	±.3																				
	0.XX	±.10																				
	0.XXX	±.050																				
angular	0°	±°																				
		<b>Amphenol FCi</b>		title	ExaMAX R.A. RECEPTACLE LOW PROFILE ASS'Y, 2 PR, 48 POS, 6 IMLA, 12.0 MM		dwg no	10128332	rev	A												
				cat. no.	SEE TABLE	Product - Customer Drw	sheet 3 of 10															

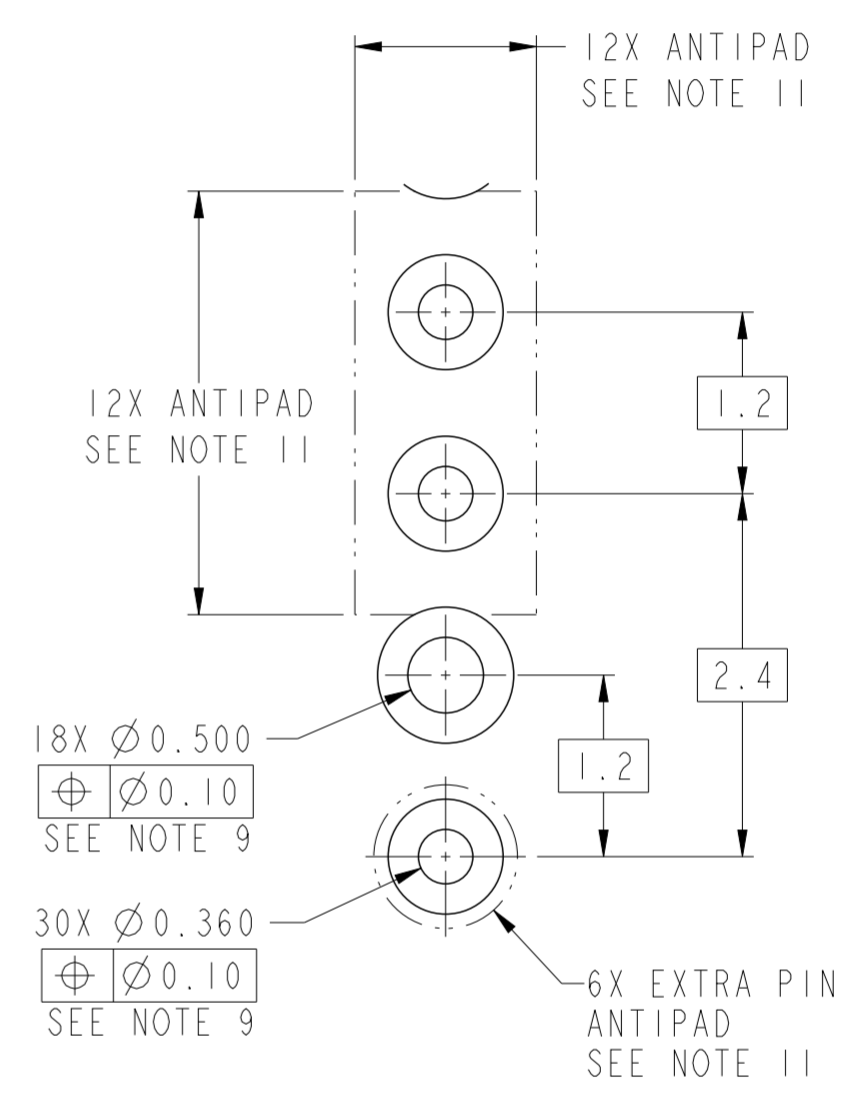
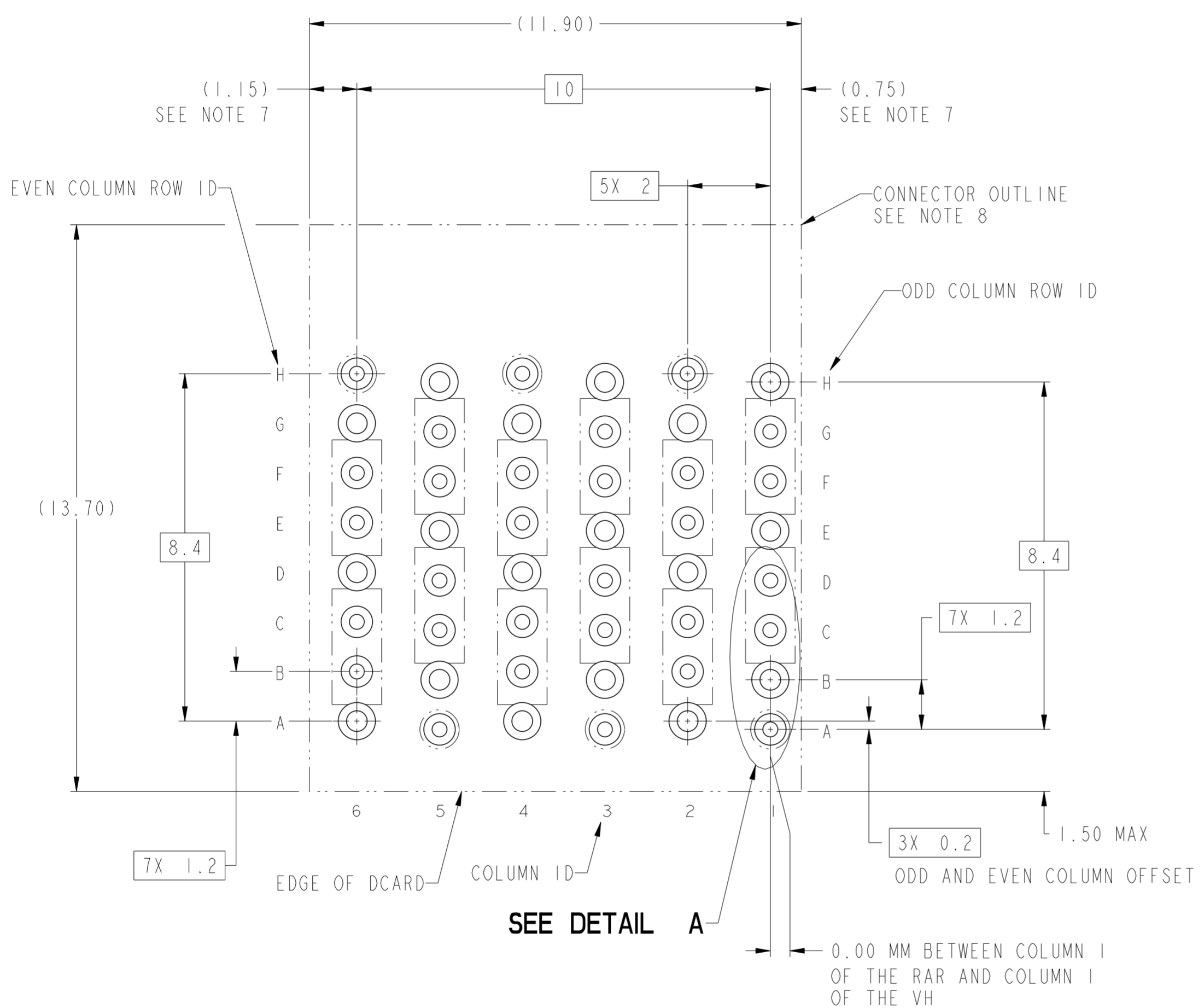


**10128332-401LF**  
**ADVANCED MATE/SHORT DETECT RECEPTACLE**  
 ADVANCED MATE POSITIONS ARE A1 AND A5 ONLY  
 SHORT DETECT POSITION IS H2  
 FOR ALL DIMENSIONS SEE 10128332-101LF ON SHEET 1

Amphenol  
FCi

© 2016 AFCI

spec ref	---	dr	Daniel Xiao	2014/01/21	projection	MM	size	A2	scale	8:1												
tolerance std	ASME Y14.5M	eng	Terry Luo	2017/01/20			ecn no	-														
TOLERANCES UNLESS OTHERWISE SPECIFIED		chr	Heaven Cen	2017/01/20			rel level	Released														
surface	<table border="1"> <tr> <td>linear</td> <td>0.X</td> <td>±.3</td> </tr> <tr> <td></td> <td>0.XX</td> <td>±.10</td> </tr> <tr> <td></td> <td>0.XXX</td> <td>±.050</td> </tr> <tr> <td>angular</td> <td>0°</td> <td>±°</td> </tr> </table>	linear	0.X	±.3				0.XX	±.10		0.XXX	±.050	angular	0°	±°	appr	Pai-Ming Zheng	2017/01/20	product family	ExaMAX	rel level	Released
linear	0.X	±.3																				
	0.XX	±.10																				
	0.XXX	±.050																				
angular	0°	±°																				
				title ExaMAX R.A. RECEPTACLE LOW PROFILE ASS'Y, 2 PR, 48 POS, 6 IMLA, 12.0 MM		dwg no 10128332	rev A															
				cat. no.	SEE TABLE	Product - Customer Drw	sheet 4 of 10															



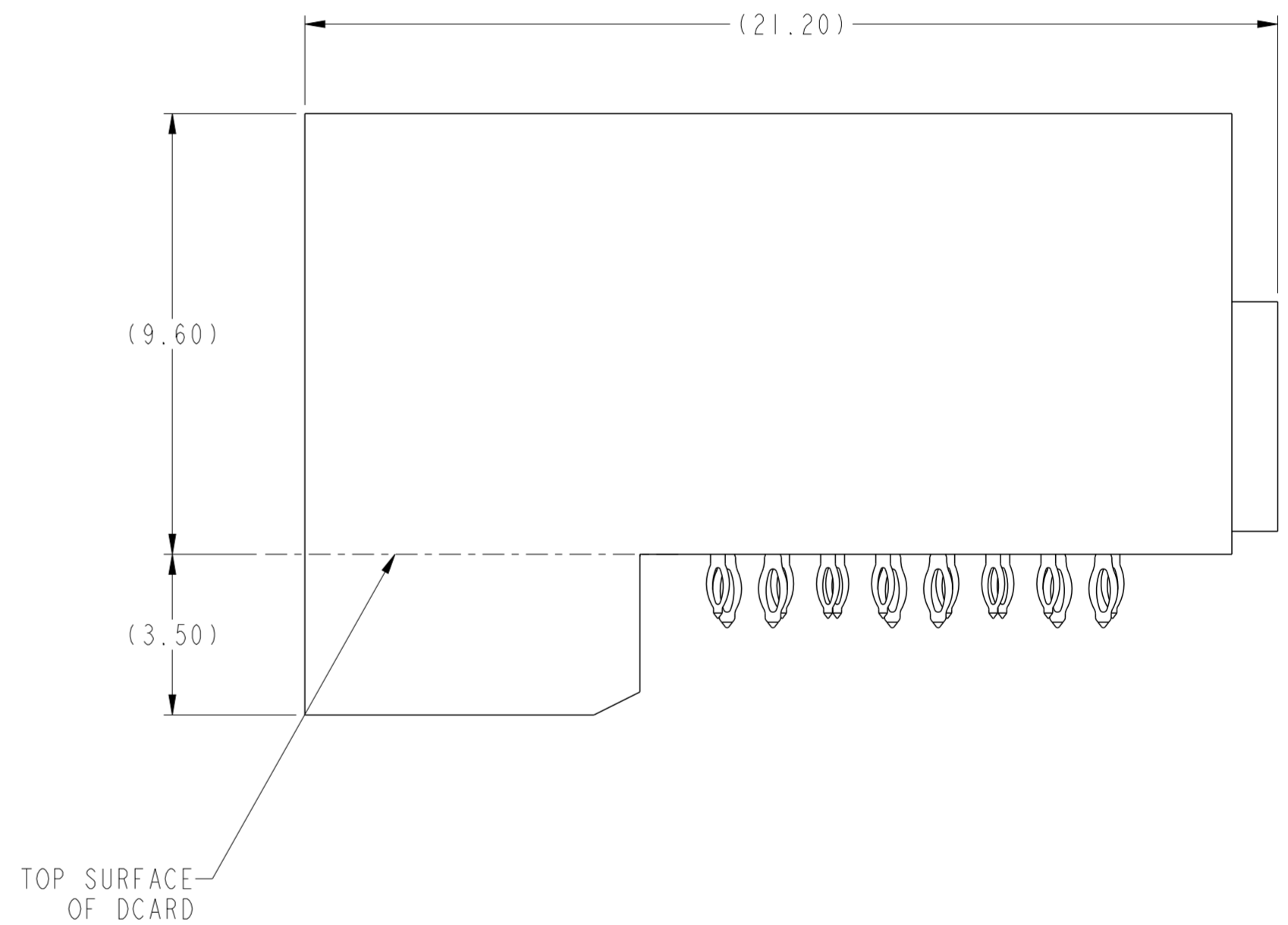
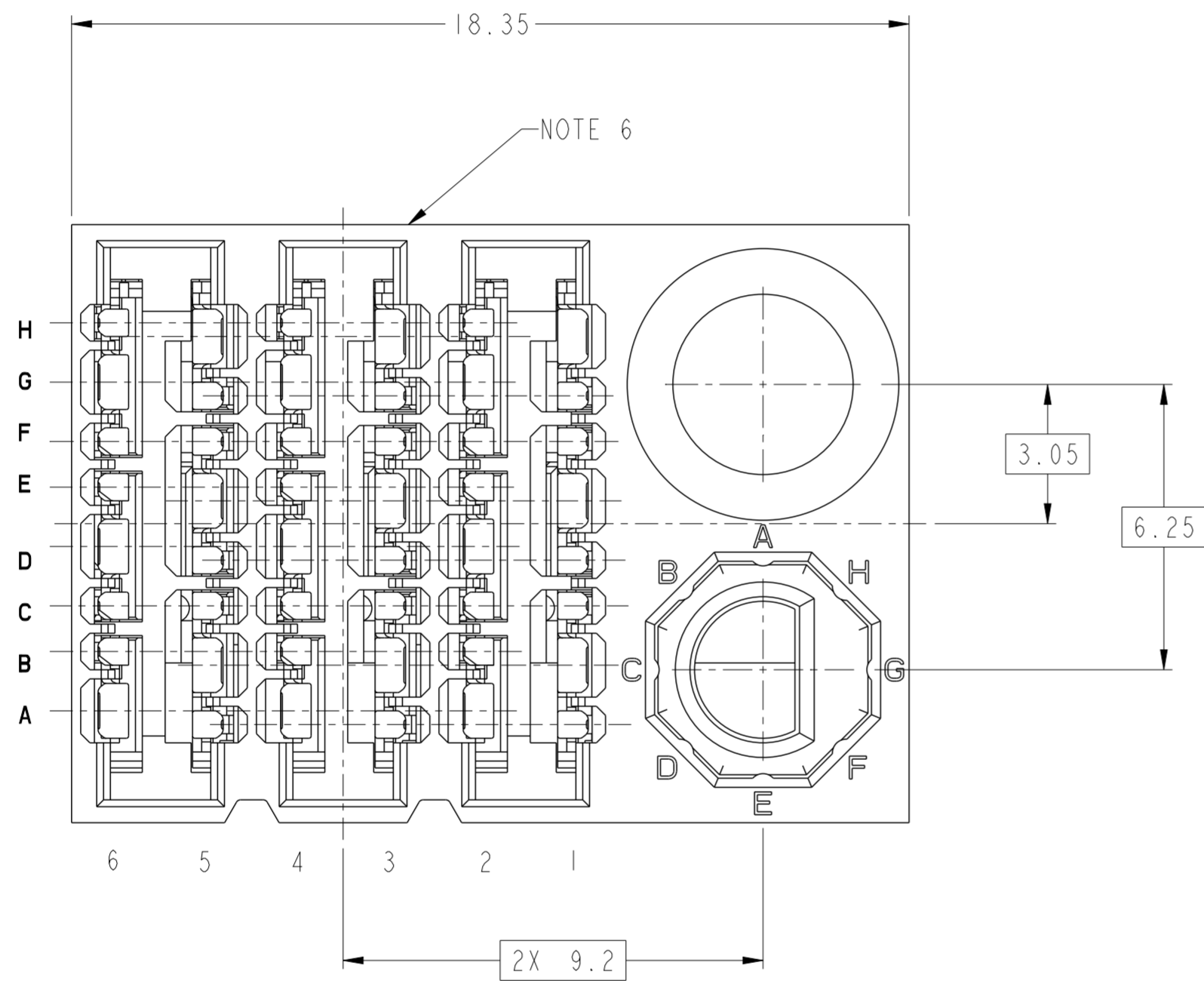
DETAIL A  
SCALE 20:1

10128332-Y01LF  
RECOMMENDED PCB LAYOUT  
COMPONENT SIDE  
NOTES 7, 8, 9, & 11  
SCALE 10:1

spec ref	---	dr	Daniel Xiao	2014/01/21	projection	MM	size	A2	scale	10:1	
tolerance std	ASME Y14.5M	eng	Terry Luo	2017/01/20			ecn no	-	rel level	Released	
TOLERANCES UNLESS OTHERWISE SPECIFIED		chr	Heaven Cen	2017/01/20							
		appr	Pai-Ming Zheng	2017/01/20							
surface	-	product family	ExaMAX		title	ExaMAX R.A. RECEPTACLE LOW PROFILE ASS'Y, 2 PR, 48 POS, 6 IMLA, 12.0 MM		dwg no	10128332	rev	A
linear	0.X ±.3 0.XX ±.10 0.XXX ±.050	cat. no.	SEE TABLE	Product - Customer Drw	sheet 5 of 10						
angular	0° ±°										

1 2 3 4 5 6 7 8

A  
B  
C  
D  
E  
F



10128332-Y1ALF THRU 10128332-Y1JLF  
 RIGHT GUIDANCE (SEE NOTE 17)  
 FOR ALL DIMENSIONS SEE 10128332-101LF ON SHEET 1  
 SCALE 8:1

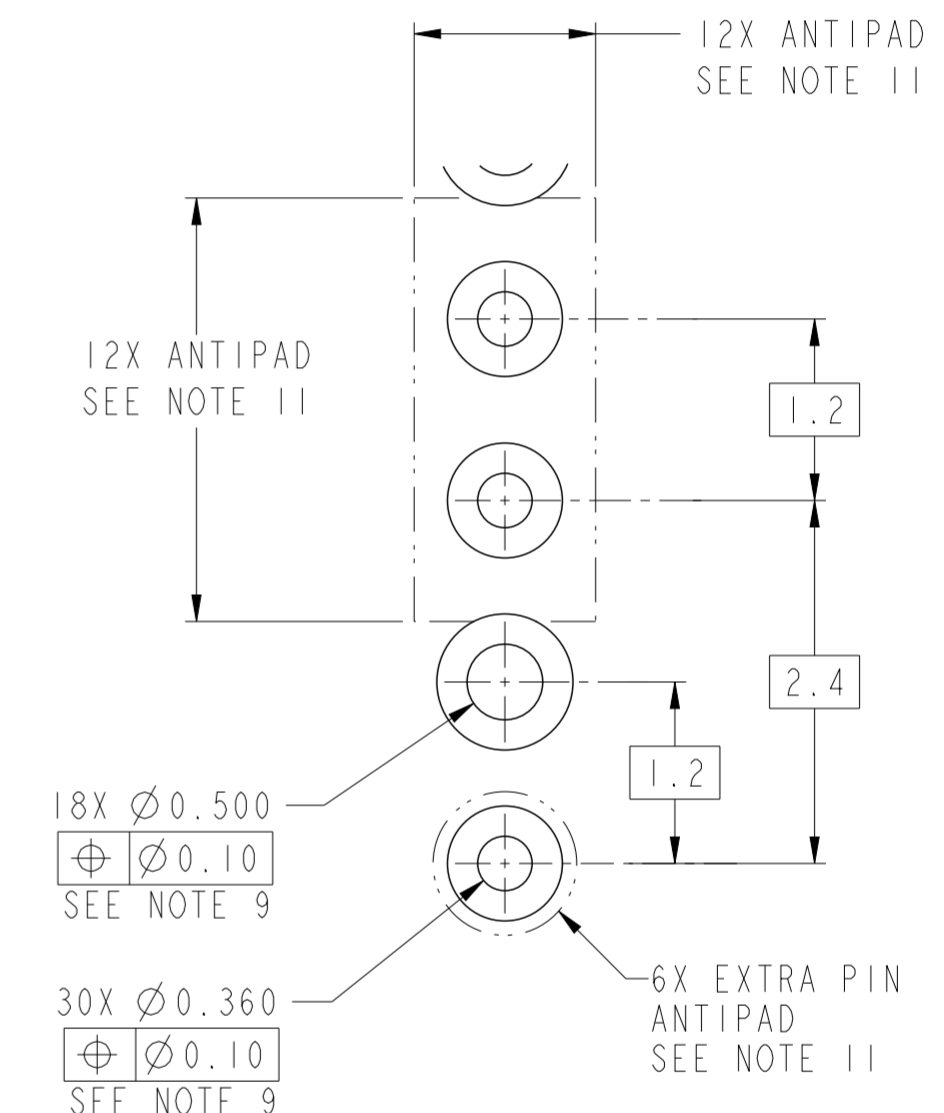
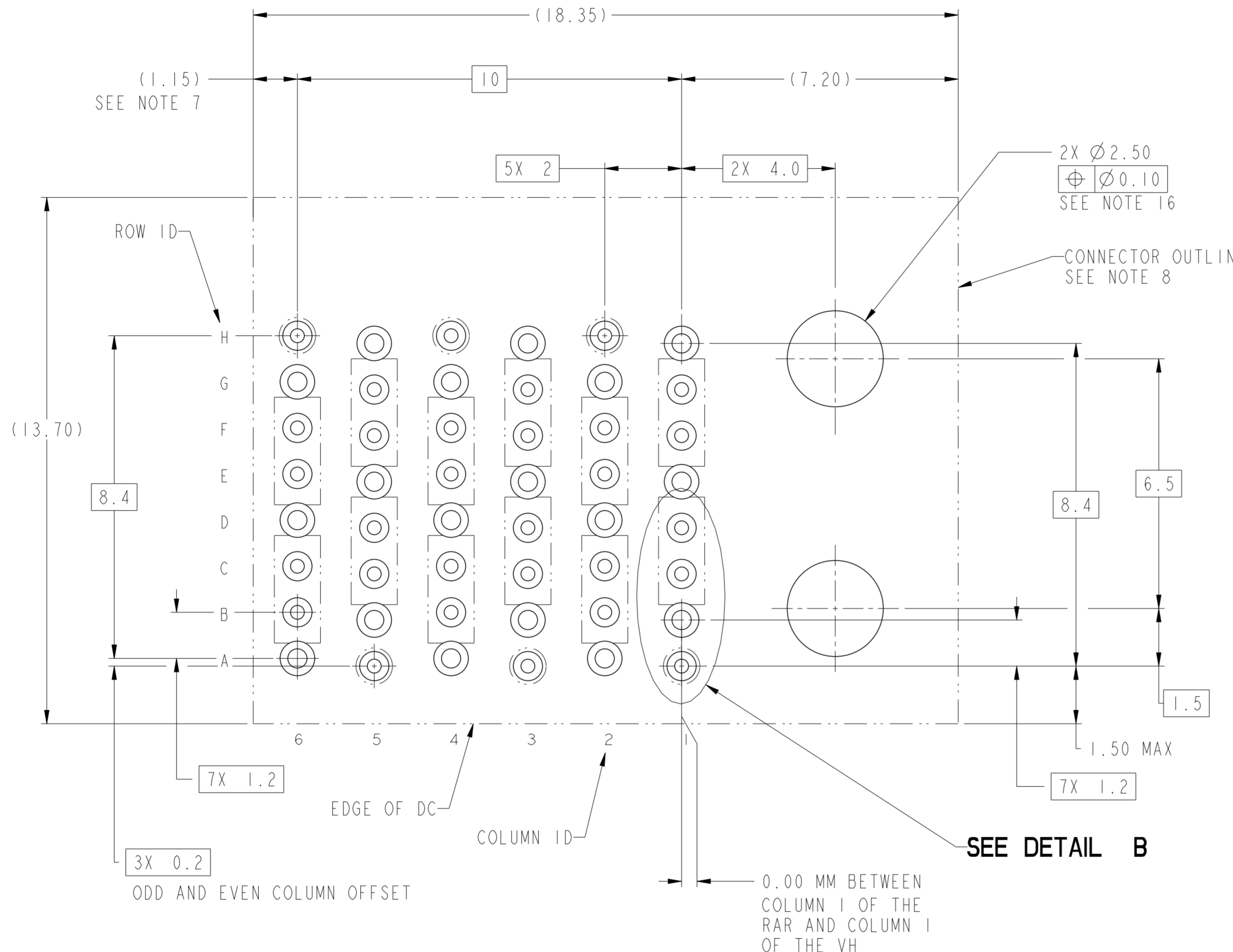
Amphenol  
FCi

© 2016 AFci

spec ref	---	dr	Daniel Xiao	2014/01/21	projection	MM	size	A2	scale	8:1										
tolerance std	ASME Y14.5M	eng	Terry Luo	2017/01/20			ecn no	-	rel level	Released										
TOLERANCES UNLESS OTHERWISE SPECIFIED		chr	Heaven Cen	2017/01/20																
surface	<table border="1"> <tr> <td rowspan="3">linear</td> <td>0.X</td> <td>±.3</td> </tr> <tr> <td>0.XX</td> <td>±.10</td> </tr> <tr> <td>0.XXX</td> <td>±.050</td> </tr> <tr> <td>angular</td> <td>0°</td> <td>±°</td> </tr> </table>	linear	0.X	±.3	0.XX	±.10	0.XXX	±.050	angular	0°	±°	appr	Pai-Ming Zheng	2017/01/20	product family	ExaMAX	dwg no	10128332	rev	A
linear	0.X		±.3																	
	0.XX		±.10																	
	0.XXX	±.050																		
angular	0°	±°																		
				title ExaMAX R.A. RECEPTACLE LOW PROFILE ASS'Y, 2 PR, 48 POS, 6 IMLA, 12.0 MM		cat. no. SEE TABLE		Product - Customer Drw		sheet 6 of 10										

Amphenol  
FCi

© 2016 AFci



**DETAIL B**  
SCALE 20:1

**10128332-Y1ALF THRU -Y1JLF  
RECOMMENDED PCB LAYOUT  
COMPONENT SIDE  
NOTES 7, 8, 9, 11 & 16  
SCALE 10:1**

spec ref	---	dr	Daniel Xiao	2014/01/21	projection	MM	size	A2	scale	10:1		
tolerance std	ASME Y14.5M	eng	Terry Luo	2017/01/20			ecn no	-	rel level	Released		
TOLERANCES UNLESS OTHERWISE SPECIFIED		chr	Heaven Cen	2017/01/20								
		appr	Pai-Ming Zheng	2017/01/20								
surface	-	product family	ExaMAX			title	ExaMAX R.A. RECEPTACLE LOW PROFILE ASS'Y, 2 PR, 48 POS, 6 IMLA, 12.0 MM		dwg no	10128332	rev	A
linear	0.X ±.3 0.XX ±.10 0.XXX ±.050	cat. no.	SEE TABLE	Product - Customer Drw	sheet 7 of 10							
angular	0° ±°											

PDS: Rev :A

STATUS:Released

Printed: Jan 20, 2017



1 2 3 4 5 6 7 8

A

B

C

D

E

F

A

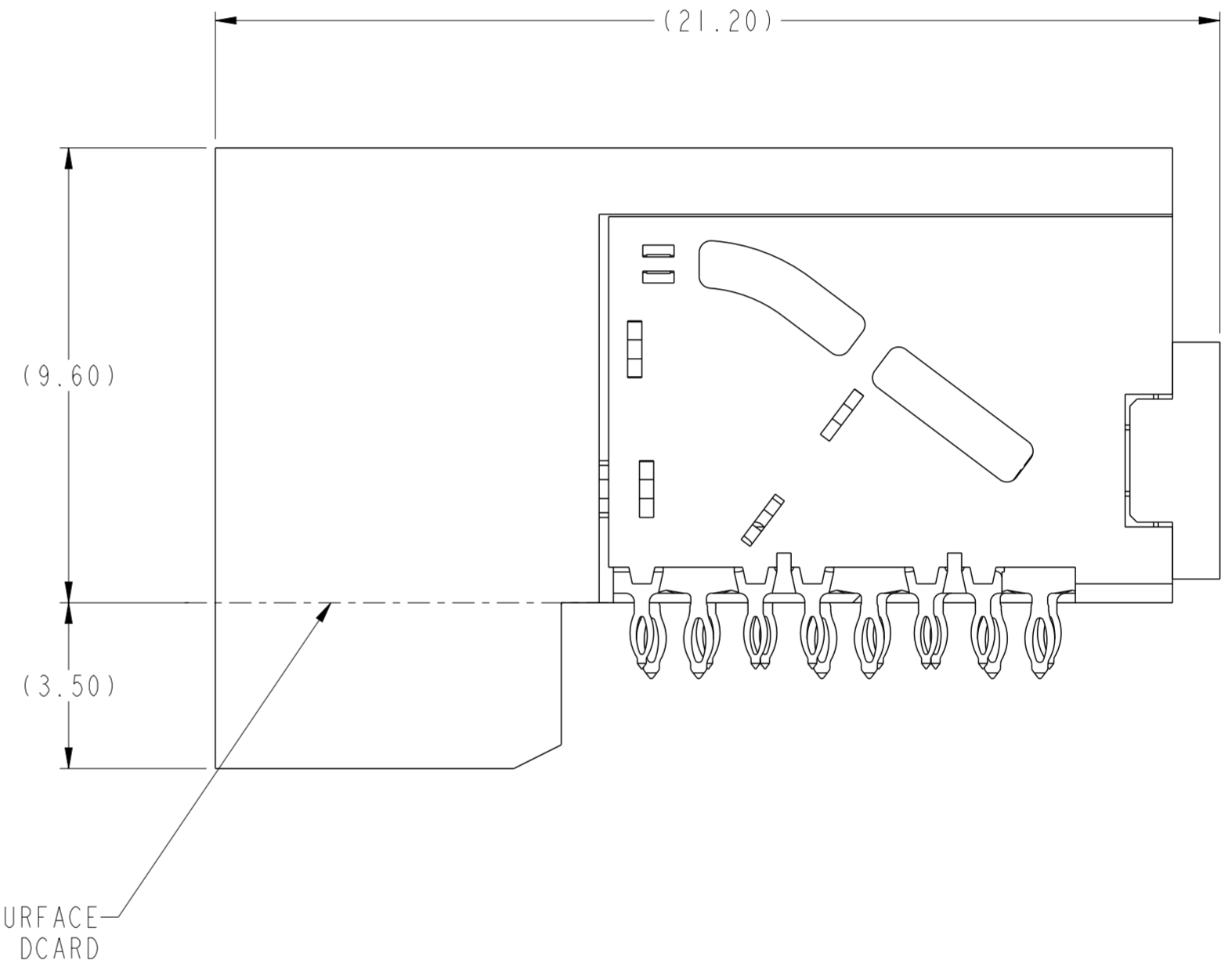
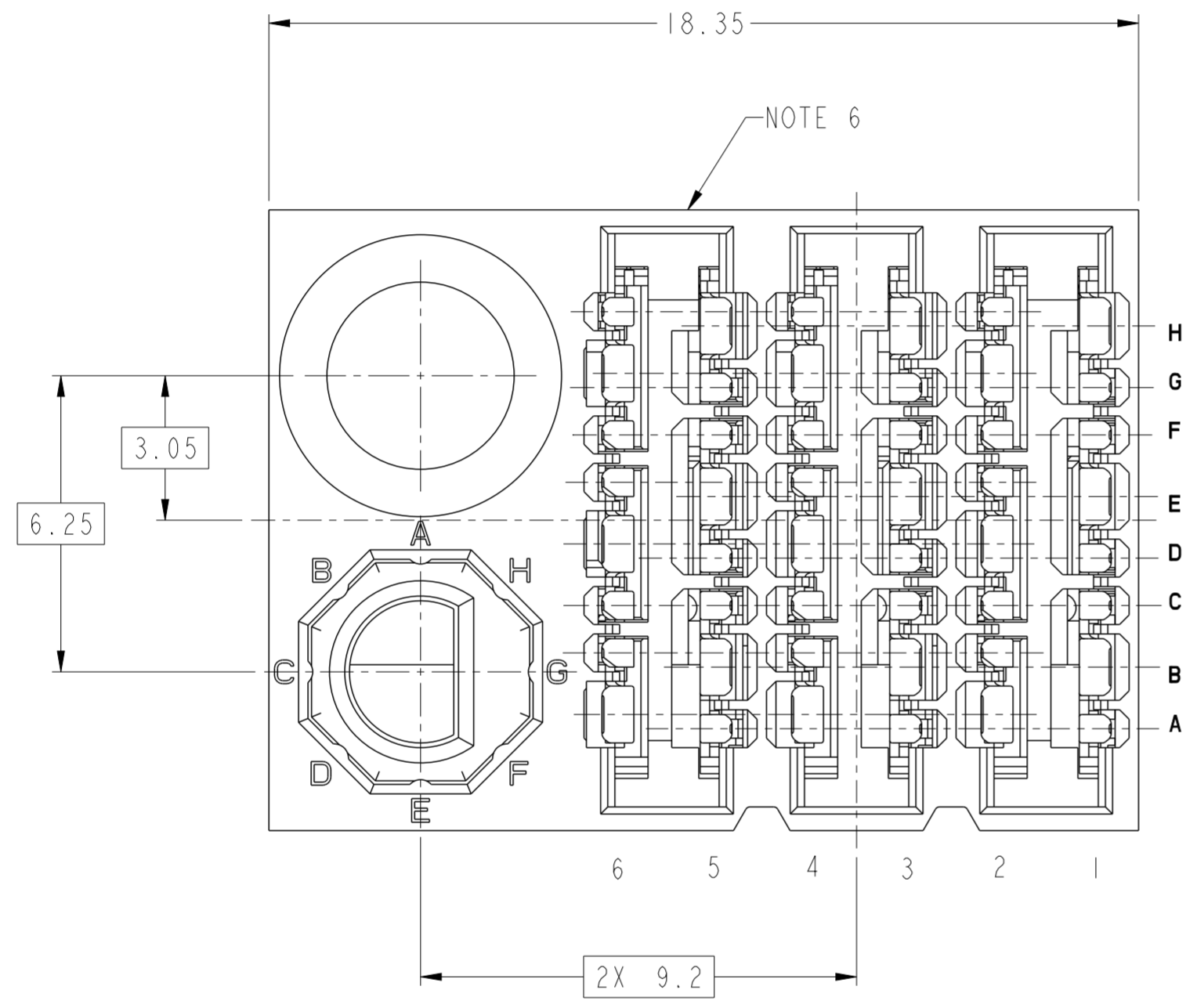
B

C

D

E

F



TOP SURFACE OF DCARD

10128332-Y2ALF THRU 10128332-Y2JLF  
 LEFT GUIDANCE (SEE NOTE 17)  
 FOR ALL DIMENSIONS SEE 10128332-101LF ON SHEET 1  
 SCALE 8:1

Amphenol  
FCi

© 2016 AFci

spec ref	---	dr	Daniel Xiao	2014/01/21	projection	MM	size	A2	scale	2:1												
tolerance std	ASME Y14.5M	eng	Terry Luo	2017/01/20			ecn no	-	rel level	Released												
TOLERANCES UNLESS OTHERWISE SPECIFIED		chr	Heaven Cen	2017/01/20																		
surface	<table border="1"> <tr> <td>linear</td> <td>0.X</td> <td>±.3</td> </tr> <tr> <td></td> <td>0.XX</td> <td>±.10</td> </tr> <tr> <td></td> <td>0.XXX</td> <td>±.050</td> </tr> <tr> <td>angular</td> <td>0°</td> <td>±°</td> </tr> </table>	linear	0.X	±.3		0.XX	±.10		0.XXX	±.050	angular	0°	±°	appr	Pai-Ming Zheng	2017/01/20	product family	ExaMAX	rel level	Released	rev	A
linear	0.X	±.3																				
	0.XX	±.10																				
	0.XXX	±.050																				
angular	0°	±°																				
Amphenol FCI		title		ExaMAX R.A. RECEPTACLE LOW PROFILE ASS'Y, 2 PR, 48 POS, 6 IMLA, 12.0 MM		dwg no	10128332		sheet 8 of 10													
cat. no.		-		Product - Customer Drw		-		-		-												

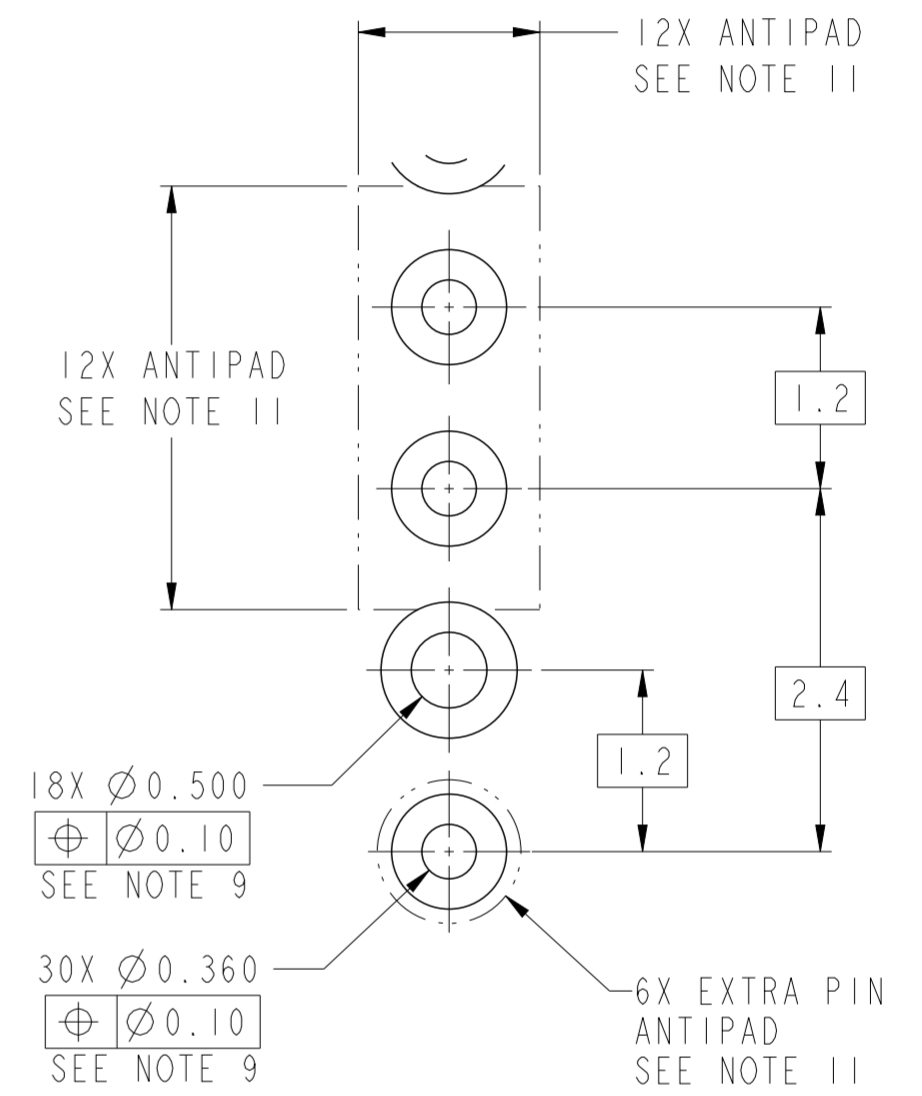
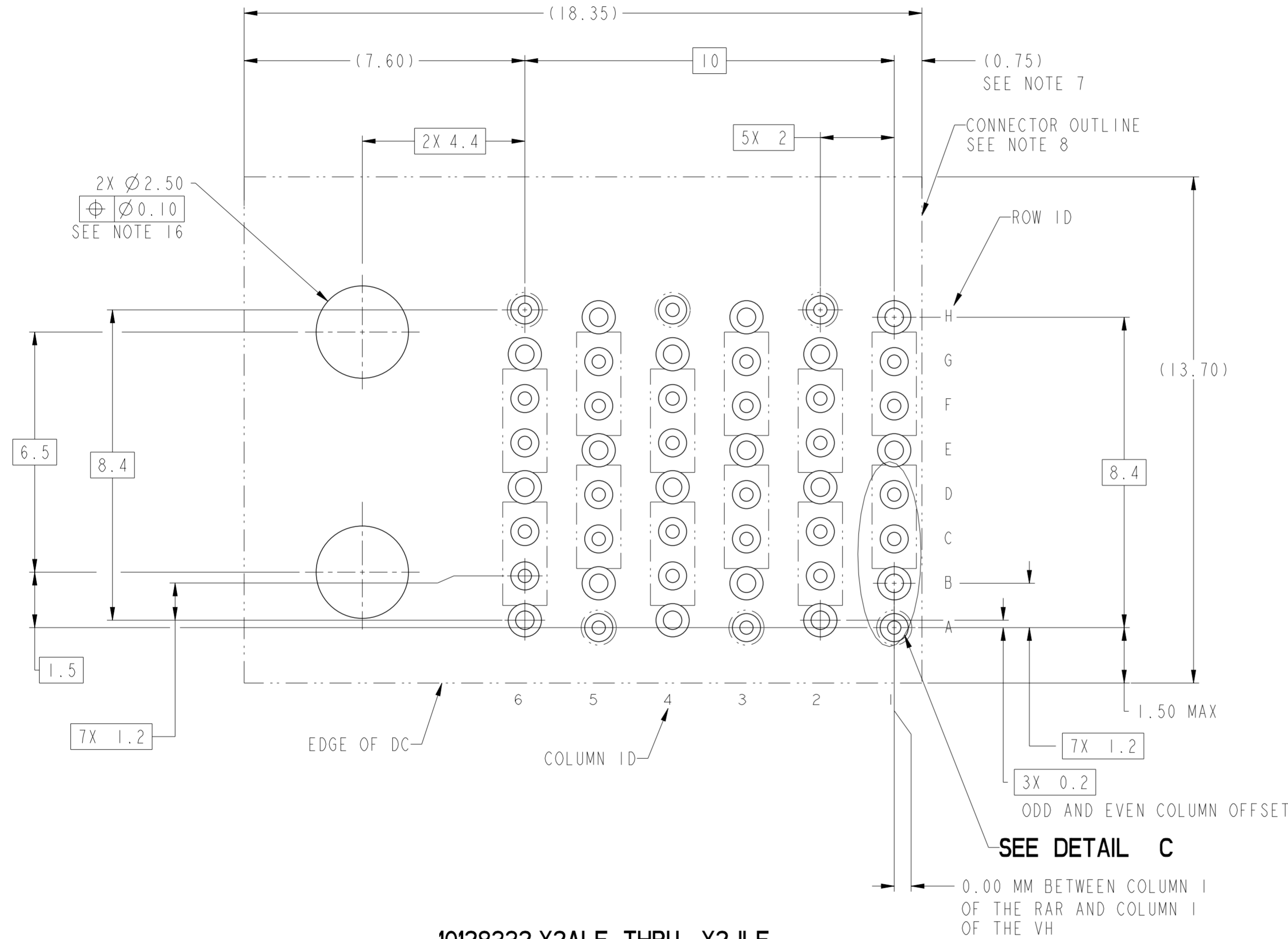
PDS: Rev :A

STATUS:Released

Printed: Jan 20, 2017

1 2 3 4 5 6 7 8





**DETAIL C**  
SCALE 20:1

**10128332-Y2ALF THRU -Y2JLF**  
**RECOMMENDED PCB LAYOUT**  
**COMPONENT SIDE**  
**NOTES 7, 8, 9, 11 & 16**  
**SCALE 10:1**

spec ref	---	dr	Daniel Xiao	2014/01/21	projection	MM	size	A2	scale	8:1
tolerance std	ASME Y14.5M	eng	Terry Luo	2017/01/20			ecn no	-	rel level	Released
TOLERANCES UNLESS OTHERWISE SPECIFIED		chr	Heaven Cen	2017/01/20						
surface	-	appr	Pai-Ming Zheng	2017/01/20	product family	ExaMAX	dwg no	10128332	rev	A
linear	0.X ±.3 0.XX ±.10 0.XXX ±.050	Amphenol FCI		title		ExaMAX R.A. RECEPTACLE LOW PROFILE ASS'Y, 2 PR, 48 POS, 6 IMLA, 12.0 MM		cat. no.	SEE TABLE	Product - Customer Drw
angular	0° ±°							sheet	9 of 10	

10128332 - Y Y Y L F

ASSEMBLY PART NUMBER	DESCRIPTION
10128332-1YYLF	STANDARD MATE
10128332-2YYLF	ADVANCED MATE
10128332-3YYLF	SHORT DETECT
10128332-4YYLF	ADVANCED MATE & SHORT DETECT

MODULE DESCRIPTION	DESIGNATION REPRESENTED IN DASH NUMBER										BASE MODEL
	01										
WITHOUT END GUIDES MODULE (SEE SHEET 1)											
RIGHT GUIDANCE MODULE (SEE SHEET 6)	1A	1B	1C	1D	1E	1F	1G	1H	1J (NO KEY)		
LEFT GUIDANCE MODULE (SEE SHEET 8)	2A	2B	2C	2D	2E	2F	2G	2H	2J (NO KEY)		

NOTES:

- ① - CONNECTOR MATERIALS:  
HOUSING: HIGH TEMP THERMOPLASTIC, BLACK, UL94-V0  
IMLA PLASTIC: HIGH TEMP THERMOPLASTIC, BLACK, UL94-V0  
CONTACT: COPPER ALLOY  
ORGANIZER: HIGH TEMP THERMOPLASTIC, BLACK, UL94-V0
- 2 - CONTACT PLATING:  
SEPARABLE INTERFACE:  
PERFORMANCE-BASED PLATING, QUALIFIED TO MEET THE REQUIREMENTS OF FCI PRODUCT SPECIFICATION GS-12-1096 INCLUDING TELCORDIA GR-1217-CORE (NOVEMBER 1995) CENTRAL OFFICE TEST SEQUENCE  
  
PRESS-FIT TAILS: TIN OVER NICKEL (LEAD FREE)
- 3 - PRODUCT SPECIFICATION: GS-12-1096
- 4 - APPLICATION SPECIFICATION GS-20-0361.
- 5 - PACKAGING MEETS GS-14-920 LEAD FREE LABELING SPECIFICATION.
- ⑥ - PRODUCT MARKING, (PROTOTYPE, PART NUMBER & LOT CODE), ON THIS SURFACE.
- ⑦ - THE MINIMUM VIA SPACING BETWEEN STACKED CONNECTORS IS 2.0 MM FOR THIS BAR AND THE MATING HEADER. REFER TO THE APPLICATION SPECIFICATION FOR DETAILS.
- ⑧ - CONNECTOR OUTLINE MAY BE SCREEN PRINTED ONTO CUSTOMER PCB TO BE USED AS A GUIDE FOR MANUAL CONNECTOR PLACEMENT.
- ⑨ - REFER TO CUSTOMER DRAWING 10119933 FOR INFORMATION ON PCB HOLE DIAMETERS AND PLATING OPTIONS
- ⑩ - THIS PRODUCT MEETS THE EUROPEAN UNION DIRECTIVES & OTHER COUNTRY REGULATIONS AS DESCRIBED IN GS-47-0004.
- ⑪ - REFER TO APPLICATION SPECIFICATION FOR TRACE ROUTING EXAMPLES THAT INCLUDE DIMENSIONS FOR ANTIPADS, TRACE WIDTH, TRACE SPACING, ETC.
- 12 - THE HOUSING WILL WITHSTAND EXPOSURE TO 260° C PEAK TEMPERATURE FOR 10-30 SECONDS IN A CONVECTION, INFRA-RED OR VAPOR PHASE REFLOW OVEN.
- ⑬ - THE ADVANCED MATE RECEPTACLE, 10128332-2YYLF, WHEN MATED WITH AN ADVANCED MATE VERTICAL HEADER OR AN ADVANCED MATE RIGHT-ANGLE HEADER WILL PROVIDE 2 PAIRS OF MATING CONTACTS THAT MATE 0.75MM BEFORE THE REMAINDER OF THE SIGNAL AND GROUND CONTACTS.

- ⑭ - THE SHORT DETECT RECEPTACLE, 10128332-3YYLF, WHEN MATED WITH A STANDARD MATE VERTICAL HEADER OR A STANDARD MATE RIGHT-ANGLE HEADER WILL PROVIDE 1 PAIR OF MATING CONTACTS THAT MATE 1.00MM AFTER THE REMAINDER OF THE SIGNAL AND GROUND CONTACTS.
- ⑮ - THE ADVANCE MATE/SHORT DETECT RECEPTACLE, 10128332-4YYLF, WHEN MATED WITH AN ADVANCED MATE VERTICAL HEADER OR AN ADVANCED MATE RIGHT-ANGLE HEADER WILL PROVIDE 2 PAIRS OF MATING CONTACTS THAT MATE 0.75MM BEFORE THE REMAINDER OF THE SIGNAL AND GROUND CONTACTS AND 1 PAIR OF MATING CONTACTS THAT MATE 1.00MM AFTER THE REMAINDER OF THE SIGNAL AND GROUND CONTACTS.
- ⑯ - FOR CONNECTORS WITH EITHER A RIGHT OR LEFT GUIDE MODULE, TWO PHILLIPS PAN HEAD M2 HOLD DOWN SCREWS MUST BE USED TO SECURE THE CONNECTOR TO THE PCB. THE SCREW LENGTH SHALL BE 1.5-2.7MM PLUS THE THICKNESS OF THE BOARD. SCREWS ARE NOT PROVIDED WITH CONNECTOR.
- ⑰ - LEFT / RIGHT INTEGRATED GUIDE ORIENTATION IS DETERMINED BY THE LOCATION OF THE GUIDE FEATURES WHEN LOOKING AT THE MATING FACE OF THE RIGHT ANGLE RECEPTACLE. THE LEFT / RIGHT DESIGNATION OF THE MATING HEADER IS DEFINED BY THE RIGHT ANGLE RECEPTACLE THAT IT MATES WITH ( i.e. A RIGHT GUIDE VERTICAL HEADER MATES WITH A RIGHT GUIDE RIGHT ANGLE RECEPTACLE. )
- ⑱ - ALL GROUND CONTACTS WITHIN A COLUMN ARE COMMONED.

spec ref	---	dr	Daniel Xiao	2014/01/21	projection	MM	size	A2	scale	1:1
tolerance std	ASME Y14.5M	eng	Terry Luo	2017/01/20		←	ecn no	-	rel level	Released
TOLERANCES UNLESS OTHERWISE SPECIFIED		chr	Heaven Cen	2017/01/20						
surface	linear	0.X	±.3	<b>Amphenol FCI</b>	title		ExaMAX R.A. RECEPTACLE LOW PROFILE	dwg no	10128332	rev
		0.XX	±.10		+ title		ASS'Y, 2 PR, 48 POS, 6 IMLA, 12.0 MM			
	angular	0°	±°		cat. no.		SEE TABLE			
Product - Customer Drw							sheet 10 of 10			