

MATERIAL AND FINISHES:

AISG JACK CONNECTOR
SEE SD-73142-026

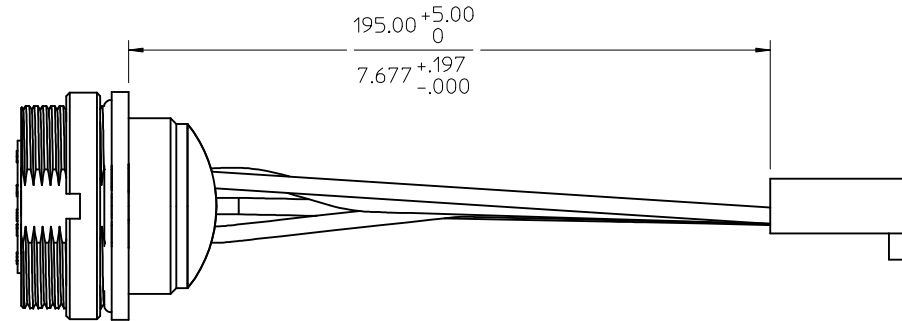
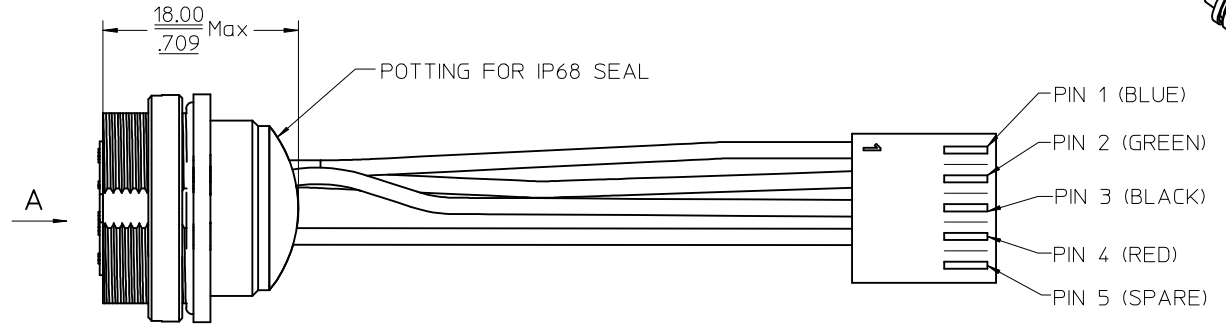
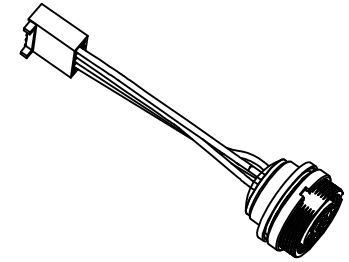
HOUSING: MOLEX 22-01-2055 "KK TYPE" CONNECTOR

WIRE: AWG22 (UL1213 PTFE HIGH TEMPERATURE)
CONDUCTOR 0.8mm (7x0.25mm TINNED COPPER STRANDS)
VOLTAGE RATING: 1000V AC
CURRENT RATING: 6A
INSULATION MATERIAL: 0.3mm PTFE

ELECTRICAL:

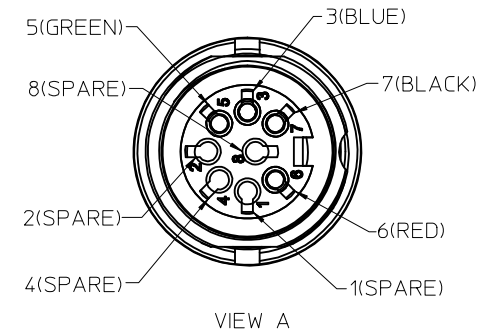
RATED VOLTAGE: 300V AC
WITHSTAND VOLTAGE: 1000V DC
INSULATION RESISTANCE: 100M ohm (MIN)
CURRENT RATING: 3A/40°C
CONTACT RESISTANCE: 5m ohm (MAX)
TEST VOLTAGE: 670V AC

WATER-PROOF: IP 68 WHEN MATED



AISG PIN TO HOUSING PIN

AISG PIN	WIRE COLOR	HOUSING
PIN 3	BLUE	PIN 1
PIN 5	GREEN	PIN 2
PIN 7	BLACK	PIN 3
PIN 6	RED	PIN 4



VIEW A

PART # 73135-5900

CHG: Blue wire going to pin outs 3 to 1, red wire going to pin outs 6 to 4, PER PDR J1511795 EC NO: URF2017-0011 DRWN: MXU11 2016/07/06 CHKD: YHAUNG11 2016/07/06 APPR: MYE08 2016/07/14	QUALITY SYMBOLS	GENERAL TOLERANCES (UNLESS SPECIFIED)	DIMENSION STYLE	SCALE	DESIGN UNITS	THIRD ANGLE PROJECTION	
	$\nabla = 0$ $\nabla = 0$ $\nabla = 0$	mm INCH 4 PLACES ± --- ± --- 3 PLACES ± --- ± --- 2 PLACES ± --- ± --- 1 PLACE ± --- ± --- 0 PLACE ± --- ± ---	MM/IN	DRAWN BY DATE MXU11 2016/01/21 CHECKED BY DATE YHUANG11 2016/03/03 APPROVED BY DATE MYE08 2016/03/07	TITLE	METRIC	
	DESCRIPTION	ANGULAR ± 2°	MATERIAL NO.	CA, AISG JACK TO KK 22AWG			
	A1	DRAFT WHERE APPLICABLE MUST REMAIN WITHIN DIMENSIONS	731355900	molex		DOCUMENT NO.	SHEET NO.
			THIS DRAWING CONTAINS INFORMATION THAT IS PROPRIETARY TO MOLEX INCORPORATED AND SHOULD NOT BE USED WITHOUT WRITTEN PERMISSION		SD-73135-590	1 OF 1	