

FEATURES

- Single-Chip Mixer/Oscillator and Phase-Locked Loop (PLL) Synthesizer
- Three-Band Local Oscillator and Mixer
- Inter-Integrated Circuit (I²C) Bus Protocol (Bidirectional Data Transmission)
- 30-V Tuning-Voltage Output
- Four NPN-Type Band-Switch (BS) Drivers
- Programmable Reference Divider Ratio (512, 640, or 1024)
- 5-V Power Supply
- 32-Pin Thin Shrink Small-Outline Package (TSSOP)

APPLICATIONS

- TVs
- VCR/DVD Recorders
- Set-Top Boxes

DESCRIPTION

The SN761683B is a synthesized tuner IC designed for TV tuning systems. The circuit consists of a phase-locked loop (PLL) synthesizer, three-band local oscillator and mixer, 30-V output tuning amplifier, and four NPN band-switch drivers, and is available in a small-outline package. A 15-bit programmable counter and reference divider are controlled by inter-integrated circuit (I²C) bus protocol.

TSSOP PACKAGE
(TOP VIEW)

VLO OSC B	1	32	UHF RF IN2
VLO OSC C	2	31	UHF RF IN1
OSC GND	3	30	VHF RF IN2
VHI OSC B	4	29	VHF RF IN1
VHI OSC C	5	28	RF GND
UHF OSC B1	6	27	MIX OUT2
UHF OSC C1	7	26	MIX OUT1
UHF OSC C2	8	25	BS4
UHF OSC B2	9	24	BS3
IF GND	10	23	BS2
IF OUT1	11	22	BS1
IF OUT2	12	21	NC
VCC	13	20	ADC
CP	14	19	AS
VTU	15	18	SDA
XTAL	16	17	SCL

NC – No internal connection

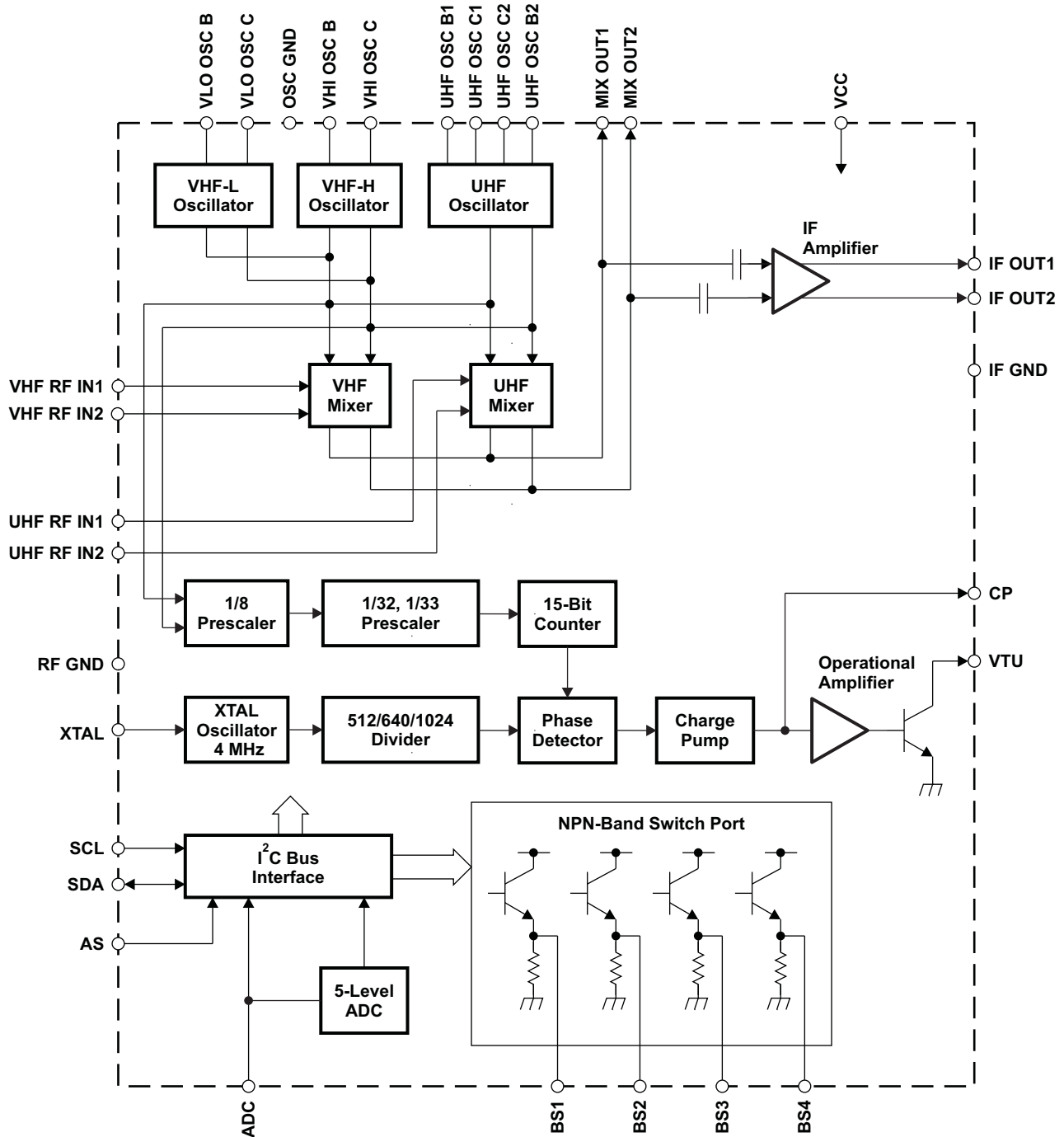


Please be aware that an important notice concerning availability, standard warranty, and use in critical applications of Texas Instruments semiconductor products and disclaimers thereto appears at the end of this data sheet.



These devices have limited built-in ESD protection. The leads should be shorted together or the device placed in conductive foam during storage or handling to prevent electrostatic damage to the bipolar device.

FUNCTIONAL BLOCK DIAGRAM



B0089-02

TERMINAL FUNCTIONS

TERMINAL NAME	NO.	DESCRIPTION	SCHEMATIC
ADC	20	ADC input	Figure 1
AS	19	Address selection input	Figure 2
BS1	22	Band-switch 1 output (NPN emitter follower)	Figure 3
BS2	23	Band-switch 2 output (NPN emitter follower)	Figure 3
BS3	24	Band-switch 3 output (NPN emitter follower)	Figure 3
BS4	25	Band-switch 4 output (NPN emitter follower)	Figure 3
CP	14	Charge-pump output	Figure 4
IF GND	10	IF ground	
IF OUT1	11	IF output 1	Figure 5
IF OUT2	12	IF output 2	Figure 5
MIX OUT1	26	Mixer output 1	Figure 6
MIX OUT2	27	Mixer output 2	Figure 6
NC	21	No connection	
OSC GND	3	Oscillator ground	
RF GND	28	RF ground	
SCL	17	Serial clock input	Figure 7
SDA	18	Serial data input/output	Figure 8
UHF OSC B1	6	UHF oscillator base 1	Figure 9
UHF OSC B2	9	UHF oscillator base 2	Figure 9
UHF OSC C1	7	UHF oscillator collector 1	Figure 9
UHF OSC C2	8	UHF oscillator collector 2	Figure 9
UHF RF IN1	31	UHF RF input 1	Figure 10
UHF RF IN2	32	UHF RF input 2	Figure 10
VCC	13	Supply voltage for mixer/oscillator/PLL: 5 V	
VHF RF IN1	29	VHF RF input 1	Figure 11
VHF RF IN2	30	VHF RF input 2	Figure 11
VHI OSC B	4	VHF HIGH oscillator base	Figure 12
VHI OSC C	5	VHF HIGH oscillator collector	Figure 12
VLO OSC B	1	VHF LOW oscillator base	Figure 13
VLO OSC C	2	VHF LOW oscillator collector	Figure 13
VTU	15	Tuning voltage amplifier output	Figure 14
XTAL	16	4-MHz crystal oscillator input	Figure 15

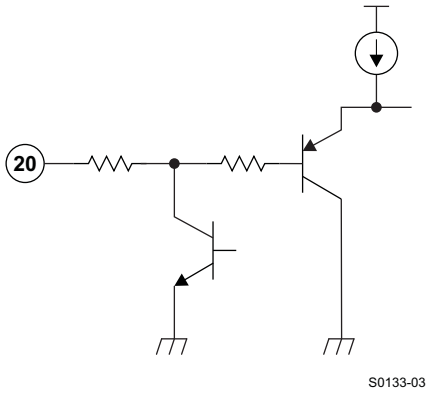


Figure 1.

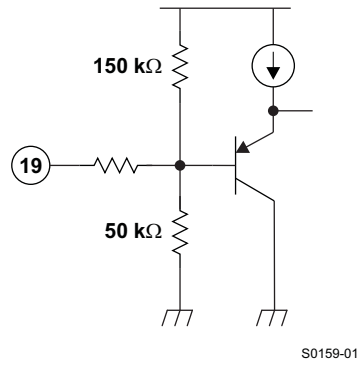


Figure 2.

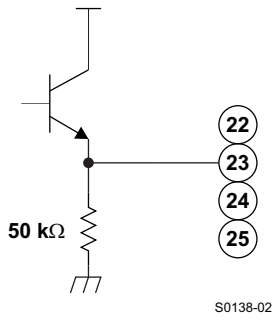


Figure 3.

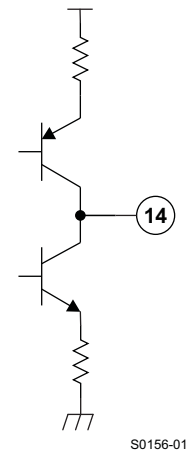


Figure 4.

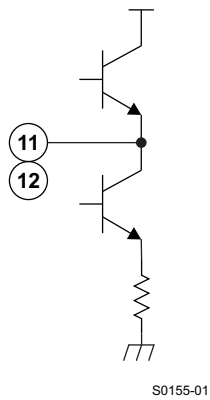


Figure 5.

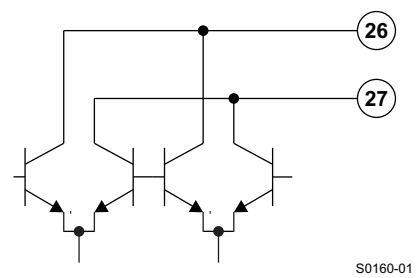


Figure 6.

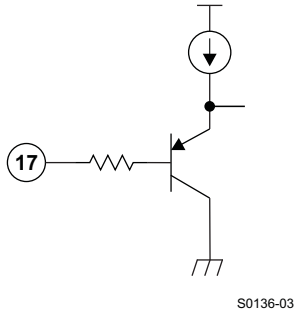


Figure 7.

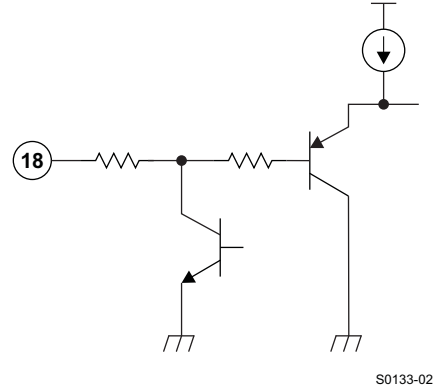


Figure 8.

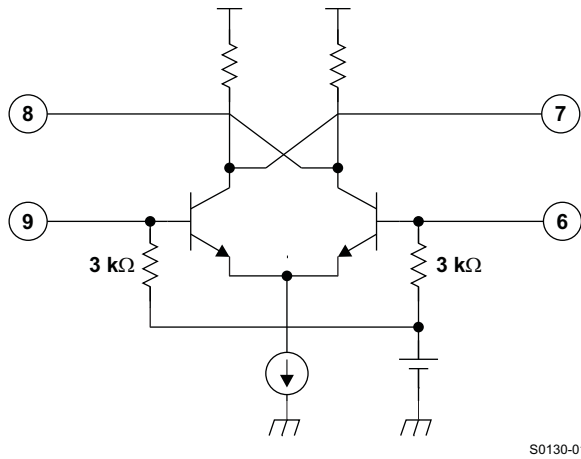


Figure 9.

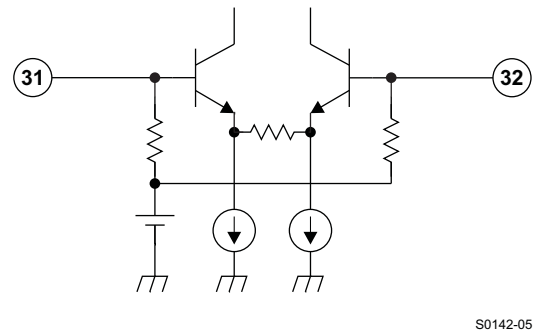


Figure 10.

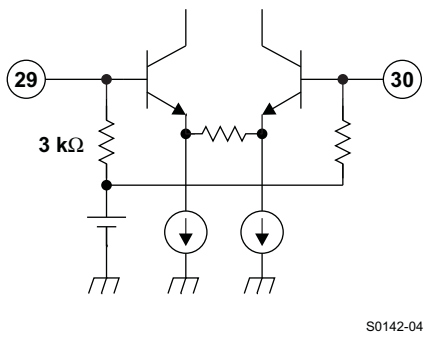


Figure 11.

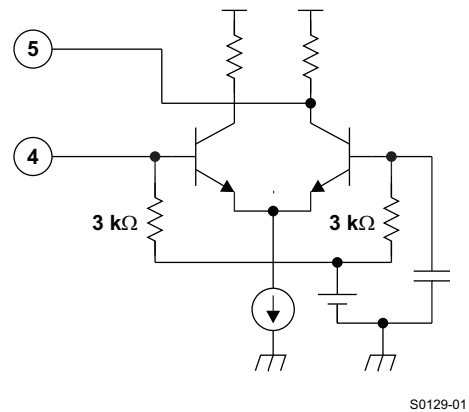


Figure 12.

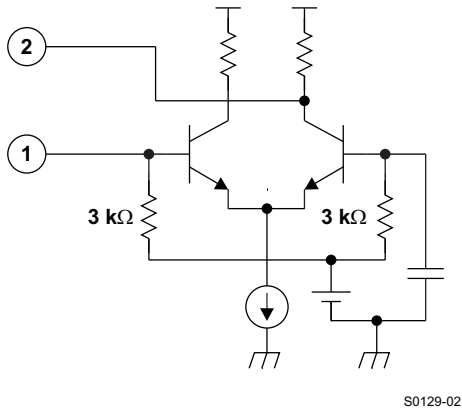


Figure 13.

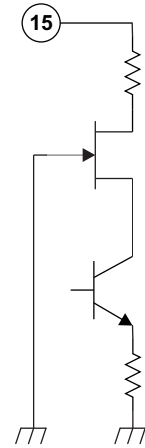


Figure 14.

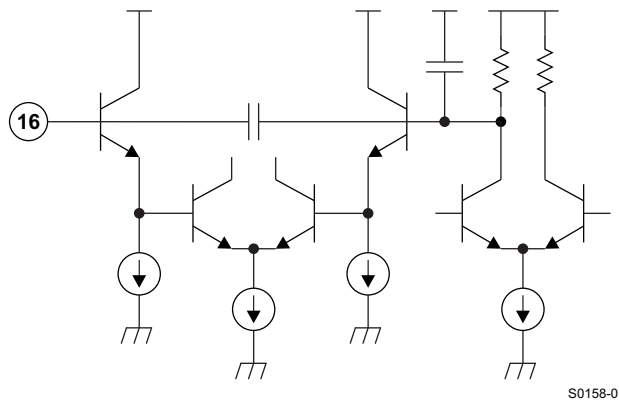


Figure 15.

Absolute Maximum Ratings⁽¹⁾

over operating free-air temperature range (unless otherwise noted)

			MIN	MAX	UNIT
V _{CC}	Supply voltage range ⁽²⁾	VCC	-0.4	6.5	V
V _{GND}	Input voltage range 1 ⁽²⁾	RF GND, OSC GND	-0.4	0.4	V
V _{VTU}	Input voltage range 2 ⁽²⁾	VTU	-0.4	35	V
V _{IN}	Input voltage range 3 ⁽²⁾	All other pins	-0.4	6.5	V
P _D	Continuous total dissipation ⁽³⁾	T _A ≤ 25°C		1040	mW
T _A	Operating free-air temperature range		-20	85	°C
T _{stg}	Storage temperature range		-65	150	°C
T _{JC}	Maximum junction temperature			150	°C
t _{SC(max)}	Maximum short-circuit time	All pins to VCC, All pins to IFGND, OSCGND, RFGND		10	s

(1) Stresses beyond those listed under "absolute maximum ratings" may cause permanent damage to the device. These are stress ratings only, and functional operation of the device at these or any other conditions beyond those indicated under "recommended operating conditions" is not implied. Exposure to absolute-maximum-rated conditions for extended periods may affect device reliability.

(2) Voltage values are with respect to IF GND.

(3) Derating factor is 8.33 mW/°C for T_A ≥ 25°C.

Recommended Operating Conditions

		MIN	NOM	MAX	UNIT
V _{CC}	Supply voltage	4.5	5	5.5	V
V _{TU}	Tuning supply voltage		30	33	V
I _{BS}	Output current of band switch			10	mA
					One port on
T _A	Operating free-air temperature	–20		85	°C

Total Device and Serial Interface Electrical Characteristics

V_{CC} = 4.5 V to 5.5 V, T_A = –20°C to 85°C (unless otherwise noted)

PARAMETER		TEST CONDITIONS	MIN	TYP	MAX	UNIT
I _{CC1}	Supply current 1			60		mA
I _{CC2}	Supply current 2	One band switch on (I _{BS} = 10 mA)		70		mA
V _{IH}	High-level input voltage	SCL, SDA	2.8		V _{CC}	V
V _{IL}	Low-level input voltage	SCL, SDA			1.4	V
I _{IH}	High-level input current	SCL, SDA			10	μA
I _{IL}	Low-level input current	SCL, SDA	–10			μA
V _{POR}	Power-on-reset supply voltage (threshold of supply voltage between reset and operation mode)		2.1	2.8	3.6	V
I²C Interface						
V _{ASH}	Address-select high-input voltage	AS	V _{CC} = 5 V	4.5	5	V
V _{ASM1}	Address-select mid1-input voltage	AS	V _{CC} = 5 V	2	3	V
V _{ASM2}	Address-select mid2-input voltage	AS	V _{CC} = 5 V	1	1.5	V
V _{ASL}	Address-select low-input voltage	AS	V _{CC} = 5 V		0.5	V
I _{ASH}	Address-select high-input current	AS			140	μA
I _{ASL}	Address-select low-input current	AS	–50			μA
V _{ADC}	ADC input voltage		See Table 8	0	V _{CC}	V
I _{ADH}	ADC high-level input current		V _{ADC} = V _{CC}		10	μA
I _{ADL}	ADC low-level input current		V _{ADC} = 0 V	–50		μA
V _{OL}	Low-level output voltage	SDA	V _{CC} = 5 V, I _{OL} = 3 mA		0.4	V
I _{SDAH}	High-level output leakage current	SDA	V _{SDA} = 5.5 V		10	μA
f _{SCL}	Clock frequency	SCL		100	400	kHz
t _{hd(DAT)}	Data hold time		See Figure 16	0		μs
t _(BUF)	Bus free time		See Figure 16	1.3		μs
t _{hd(STA)}	Start hold time		See Figure 16	0.6		μs
t _(LOW)	SCL-low hold time		See Figure 16	1.3		μs
t _(HIGH)	SCL-high hold time		See Figure 16	0.6		μs
t _{su(STA)}	Start setup time		See Figure 16	0.6		μs
t _{su(DAT)}	Data setup time		See Figure 16	0.1		μs
t _r	SCL, SDA rise time		See Figure 16		0.3	μs
t _f	SCL, SDA fall time		See Figure 16		0.3	μs
t _{su(STO)}	Stop setup time		See Figure 16	0.6		μs

PLL and Band-Switch Electrical Characteristics

$V_{CC} = 4.5\text{ V to }5.5\text{ V}$, $T_A = -20^\circ\text{C to }85^\circ\text{C}$ (unless otherwise noted)

PARAMETER		TEST CONDITIONS	MIN	TYP	MAX	UNIT
N	Divider ratio	15-bit frequency word	256		32767	
f_{XTAL}	Crystal oscillator frequency	$R_{XTAL} = 25\ \Omega$ to $300\ \Omega$	3.2	4	4.48	MHz
Z_{XTAL}	Crystal oscillator input impedance			1.6		k Ω
V_{IXTAL2}	Minimum reference input sensitivity	XTAL 4 MHz, AC coupling with 0.1- μ F capacitor			100	mVp-p
V_{VTUL}	Tuning amplifier low-level output voltage	$R_L = 27\text{ k}\Omega$, $V_{TU} = 33\text{ V}$		0.4	0.5	V
I_{VTUOFF}	Tuning amplifier leakage current (OFF)	OS = 1, $V_{TU} = 33\text{ V}$			10	μ A
I_{CPH}	Charge-pump high-level input current	CP = 1		280		μ A
I_{CPL}	Charge-pump low-level input current	CP = 0		60		μ A
V_{CP}	Charge-pump output voltage	PLL locked		1.95		V
I_{CPOFF}	Charge-pump leakage current	T2 = 0, T1 = 1, $V_{CP} = 2\text{ V}$, $T_A = 25^\circ\text{C}$	-15		15	nA
I_{BS}	Band-switch driver output current				10	mA
V_{BS1}	Band-switch driver output voltage	$I_{BS} = 10\text{ mA}$		3		V
V_{BS2}		$I_{BS} = 10\text{ mA}$, $V_{CC} = 5\text{ V}$, $T_A = 25^\circ\text{C}$	3.5	3.9		
I_{BSOFF}	Band-switch driver leakage current	$V_{BS} = 0\text{ V}$			3	μ A

Mixer, Oscillator, IF Amplifier Electrical Characteristics

$V_{CC} = 5\text{ V}$, $T_A = 25^\circ\text{C}$, measured in [Figure 17](#) reference measurement circuit at 50- Ω system,
IF filter characteristics: $f_{peak} = 43\text{ MHz}$ (unless otherwise noted)

PARAMETER		TEST CONDITIONS	MIN	TYP	MAX	UNIT
G_{c1}	Conversion gain (mixer-IF amplifier), VHF-LOW ⁽¹⁾	$f_{in} = 58\text{ MHz}$	22	25	28	dB
G_{c3}		$f_{in} = 130\text{ MHz}$	22	25	28	
G_{c4}	Conversion gain (mixer-IF amplifier), VHF-HIGH ⁽¹⁾	$f_{in} = 136\text{ MHz}$	22	25	28	dB
G_{c6}		$f_{in} = 364\text{ MHz}$	22	25	28	
G_{c7}	Conversion gain (mixer-IF amplifier), UHF ⁽¹⁾	$f_{in} = 370\text{ MHz}$	26	29	32	dB
G_{c9}		$f_{in} = 804\text{ MHz}$	25	28	31	
NF_1	Noise figure, VHF-LOW	$f_{in} = 55.25\text{ MHz}$		9.5		dB
NF_3		$f_{in} = 127.25\text{ MHz}$		9.5		
NF_4	Noise figure, VHF-HIGH	$f_{in} = 133.25\text{ MHz}$		10		dB
NF_6		$f_{in} = 361.25\text{ MHz}$		10		
NF_7	Noise figure, UHF	$f_{in} = 367.25\text{ MHz}$		11		dB
NF_9		$f_{in} = 801.25\text{ MHz}$		11		
CM_1	1% cross-modulation distortion, VHF-LOW ⁽²⁾	$f_{in} = 55.25\text{ MHz}$		89		dB μ V
CM_3		$f_{in} = 127.25\text{ MHz}$		89		
CM_4	1% cross-modulation distortion, VHF-HIGH ⁽²⁾	$f_{in} = 133.25\text{ MHz}$		86		dB μ V
CM_6		$f_{in} = 361.25\text{ MHz}$		86		
CM_7	1% cross-modulation distortion, UHF ⁽²⁾	$f_{in} = 367.25\text{ MHz}$		87		dB μ V
CM_9		$f_{in} = 801.25\text{ MHz}$		87		
V_{IFO1}	IF output voltage, VHF-LOW ⁽³⁾	$f_{in} = 55.25\text{ MHz}$		117		dB μ V
V_{IFO3}		$f_{in} = 127.25\text{ MHz}$		117		
V_{IFO4}	IF output voltage, VHF-HIGH ⁽³⁾	$f_{in} = 133.25\text{ MHz}$		117		dB μ V
V_{IFO6}		$f_{in} = 361.25\text{ MHz}$		117		
V_{IFO7}	IF output voltage, UHF ⁽³⁾	$f_{in} = 367.25\text{ MHz}$		117		dB μ V
V_{IFO9}		$f_{in} = 801.25\text{ MHz}$		117		
Φ_{OSC1}	Phase noise, VHF-LOW ⁽⁴⁾	$f_{in} = 55.25\text{ MHz}$		88		dBc/Hz
Φ_{OSC3}		$f_{in} = 127.25\text{ MHz}$		88		
Φ_{OSC4}	Phase noise, VHF-HIGH ⁽⁴⁾	$f_{in} = 133.25\text{ MHz}$		86		dBc/Hz
Φ_{OSC6}		$f_{in} = 361.25\text{ MHz}$		86		
Φ_{OSC7}	Phase noise, UHF ⁽⁴⁾	$f_{in} = 367.25\text{ MHz}$		84		dBc/Hz
Φ_{OSC9}		$f_{in} = 801.25\text{ MHz}$		84		
Prescaler beat ⁽⁵⁾					25	dB μ V

(1) IF = 43 MHz, RF input level = 80 dB μ V

(2) $f_{undes} = f_{des} \pm 6\text{ MHz}$, Pin = 80 dB μ V, AM 1 kHz, 30%, DES/CM = S/I = 46 dB

(3) IF = 45.75 MHz

(4) Offset = 10 kHz, RF input level = 70 dB μ V

(5) Design parameter, not tested

FUNCTIONAL DESCRIPTION

I²C Bus Mode

I²C Write Mode (R/W = 0)

Table 1. Write Data Format

	MSB							LSB	
Address byte (ADB)	1	1	0	0	0	MA1	MA0	R/W = 0	A ⁽¹⁾
Divider byte 1 (DB1)	0	N14	N13	N12	N11	N10	N9	N8	A ⁽¹⁾
Divider byte 2 (DB2)	N7	N6	N5	N4	N3	N2	N1	N0	A ⁽¹⁾
Control byte (CB)	1	CP	T2	T1	T0	RSA	RSB	OS	A ⁽¹⁾
Band-switch byte (BB)	X	X	X	X	BS4	BS3	BS2	BS1	A ⁽¹⁾

(1) Acknowledge

Table 2. I²C Write-Mode Data-Symbol Description

SYMBOL	DESCRIPTION	DEFAULT																																													
MA1, MA0	Address set bits (see Table 3)																																														
N14–N0	Programmable counter set bits $N = N14 \times 2^{14} + N13 \times 2^{13} + \dots + N1 \times 2 + N0$ Oscillation frequency = $f_r \times 8 \times N$ f_r = Reference frequency = 4 MHz/Reference divider	$N_n = 0$																																													
CP	Charge-pump current set bit 60 μ A (CP = 0), 280 μ A (CP = 1)	CP = 1																																													
T2–T0	Test bits (see Table 4) Normal mode: T2 = 0, T1 = 0, T0 = 1/0	T2 = 0, T1 = 0, T0 = 1																																													
RSA, RSB	Reference divider ratio selection bits (see Table 6)	RSA = 0, RSB = 1																																													
OS	Tuning amplifier control bit Tuning voltage on (OS = 0) Tuning voltage off, high impedance (OS = 1)	OS = 0																																													
BS4–BS1	Band-switch ports control bits BS3 = 1: BS3 port ON BS3 = 0: BS3 port OFF Band selection by BS1, BS2, and BS4 bits: <table border="1" style="margin-left: 20px;"> <thead> <tr> <th>BS1</th> <th>BS2</th> <th>BS4</th> <th>SELECTED BAND</th> <th>"ON" PORT</th> </tr> </thead> <tbody> <tr> <td>0</td> <td>0</td> <td>0</td> <td>UHF</td> <td>BS4</td> </tr> <tr> <td>1</td> <td>0</td> <td>0</td> <td>VHF-LOW</td> <td>BS1</td> </tr> <tr> <td>0</td> <td>1</td> <td>0</td> <td>VHF-HIGH</td> <td>BS2</td> </tr> <tr> <td>1</td> <td>1</td> <td>0⁽¹⁾</td> <td>VHF-HIGH</td> <td>(BS1, BS2)</td> </tr> <tr> <td>0</td> <td>0</td> <td>1</td> <td>UHF</td> <td>BS4</td> </tr> <tr> <td>1</td> <td>0</td> <td>1⁽¹⁾</td> <td>UHF</td> <td>(BS1, BS4)</td> </tr> <tr> <td>0</td> <td>1</td> <td>1⁽¹⁾</td> <td>UHF</td> <td>(BS2, BS4)</td> </tr> <tr> <td>1</td> <td>1</td> <td>1⁽¹⁾</td> <td>UHF</td> <td>(BS1, BS2, BS4)</td> </tr> </tbody> </table> ⁽¹⁾ These bit patterns are forbidden, due to limitation of band-switch output current.	BS1	BS2	BS4	SELECTED BAND	"ON" PORT	0	0	0	UHF	BS4	1	0	0	VHF-LOW	BS1	0	1	0	VHF-HIGH	BS2	1	1	0 ⁽¹⁾	VHF-HIGH	(BS1, BS2)	0	0	1	UHF	BS4	1	0	1 ⁽¹⁾	UHF	(BS1, BS4)	0	1	1 ⁽¹⁾	UHF	(BS2, BS4)	1	1	1 ⁽¹⁾	UHF	(BS1, BS2, BS4)	$BS_n = 0$ (UHF)
BS1	BS2	BS4	SELECTED BAND	"ON" PORT																																											
0	0	0	UHF	BS4																																											
1	0	0	VHF-LOW	BS1																																											
0	1	0	VHF-HIGH	BS2																																											
1	1	0 ⁽¹⁾	VHF-HIGH	(BS1, BS2)																																											
0	0	1	UHF	BS4																																											
1	0	1 ⁽¹⁾	UHF	(BS1, BS4)																																											
0	1	1 ⁽¹⁾	UHF	(BS2, BS4)																																											
1	1	1 ⁽¹⁾	UHF	(BS1, BS2, BS4)																																											
X	Don't care																																														

Table 3. Address Selection

MA1	MA0	VOLTAGE APPLIED ON AS INPUT
0	0	LOW: 0 V to 0.1 V _{CC}
0	1	MID2: open, or 0.2 V _{CC} to 0.3 V _{CC}
1	0	MID1: 0.4 V _{CC} to 0.6 V _{CC}
1	1	HIGH: 0.9 V _{CC} to V _{CC}

Table 4. Test Bits (1)

T2	T1	T0	DEVICE OPERATION	NOTE
0	0	0	Normal operation	
0	0	1	Normal operation	Default
0	1	X	Charge pump is off.	
1	1	0	Charge pump is sink.	
1	1	1	Charge pump is source.	
1	0	X	Test mode	ADC not available

(1) Not used for other bit patterns

Table 5. Reference Divider Ratio

RSA	RSB	REFERENCE DIVIDER RATIO
X	0	640
0	1	1024
1	1	512

Example of I²C Data-Write Sequences

Telegram Examples

Start – ADB – DB1 – DB2 – CB – BB – Stop
 Start – ADB – DB1 – DB2 – Stop
 Start – ADB – CB – BB – Stop

Abbreviations

ADB: Address byte
 DB1: Divider byte 1
 DB2: Divider byte 2
 CB: Control byte
 BB: Band-switch byte
 Start: Start condition
 Stop: Stop condition

Note: Following bytes after band-switch byte (BB) are ignored.

Start – ADB – DB1 – DB2 – CB – BB – (ignored) – (ignored) – Stop
 Start – ADB – CB – BB – (ignored) – (ignored) – Stop

I²C Read Mode (R/W = 1)

Table 6. Read Data Format

	MSB						LSB		
Address byte (ADB)	1	1	0	0	0	MA1	MA0	R/W = 1	A ⁽¹⁾
Status byte (SB)	POR	FL	1	1	1	A2	A1	A0	–

(1) Acknowledge

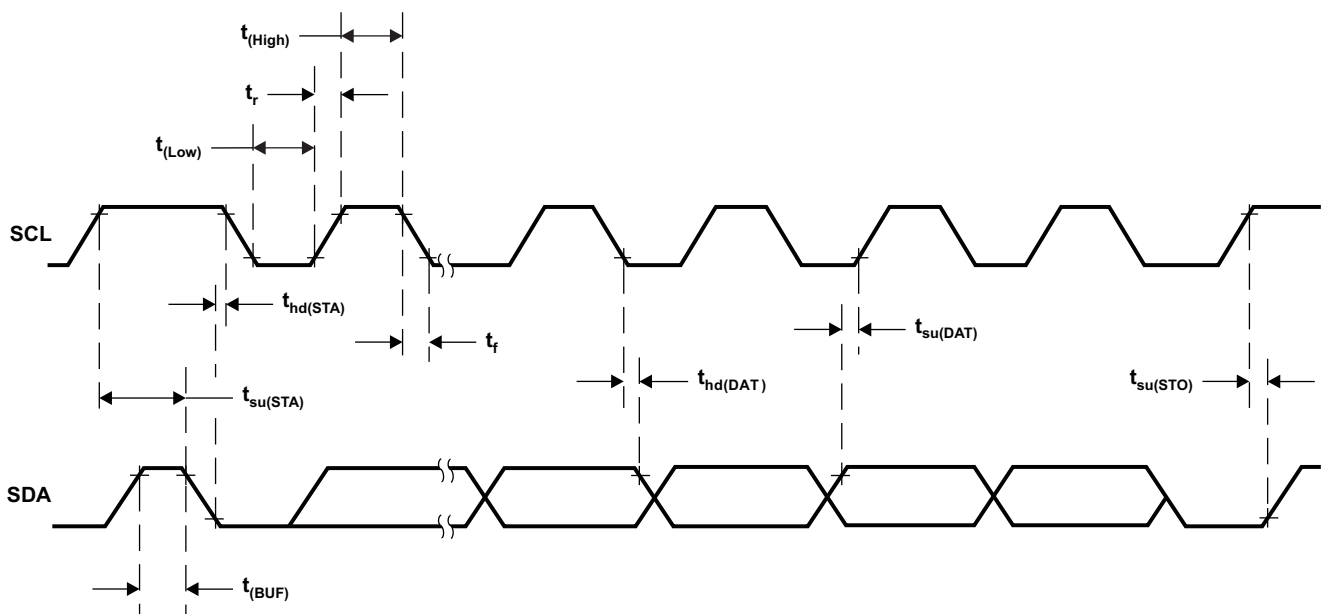
Table 7. I²C Read-Mode Data-Symbol Description

SYMBOL	DESCRIPTION	DEFAULT
MA1, MA0	Address set bits (see Table 3)	
POR	Power-on reset flag bit POR set: Power on POR reset: End-of-data transmission procedure	POR = 1
FL	In-lock flag bit PLL locked (FL = 1) PLL unlocked (FL = 0)	
A2–A0	Digital data bits of ADC (see Table 8)	

Table 8. ADC Level

A2	A1	A0	VOLTAGE APPLIED ON ADC INPUT ⁽¹⁾
1	0	0	0.6 V _{CC} to V _{CC}
0	1	1	0.45 V _{CC} to 0.6 V _{CC}
0	1	0	0.3 V _{CC} to 0.45 V _{CC}
0	0	1	0.15 V _{CC} to 0.3 V _{CC}
0	0	0	0 to 0.15 V _{CC}

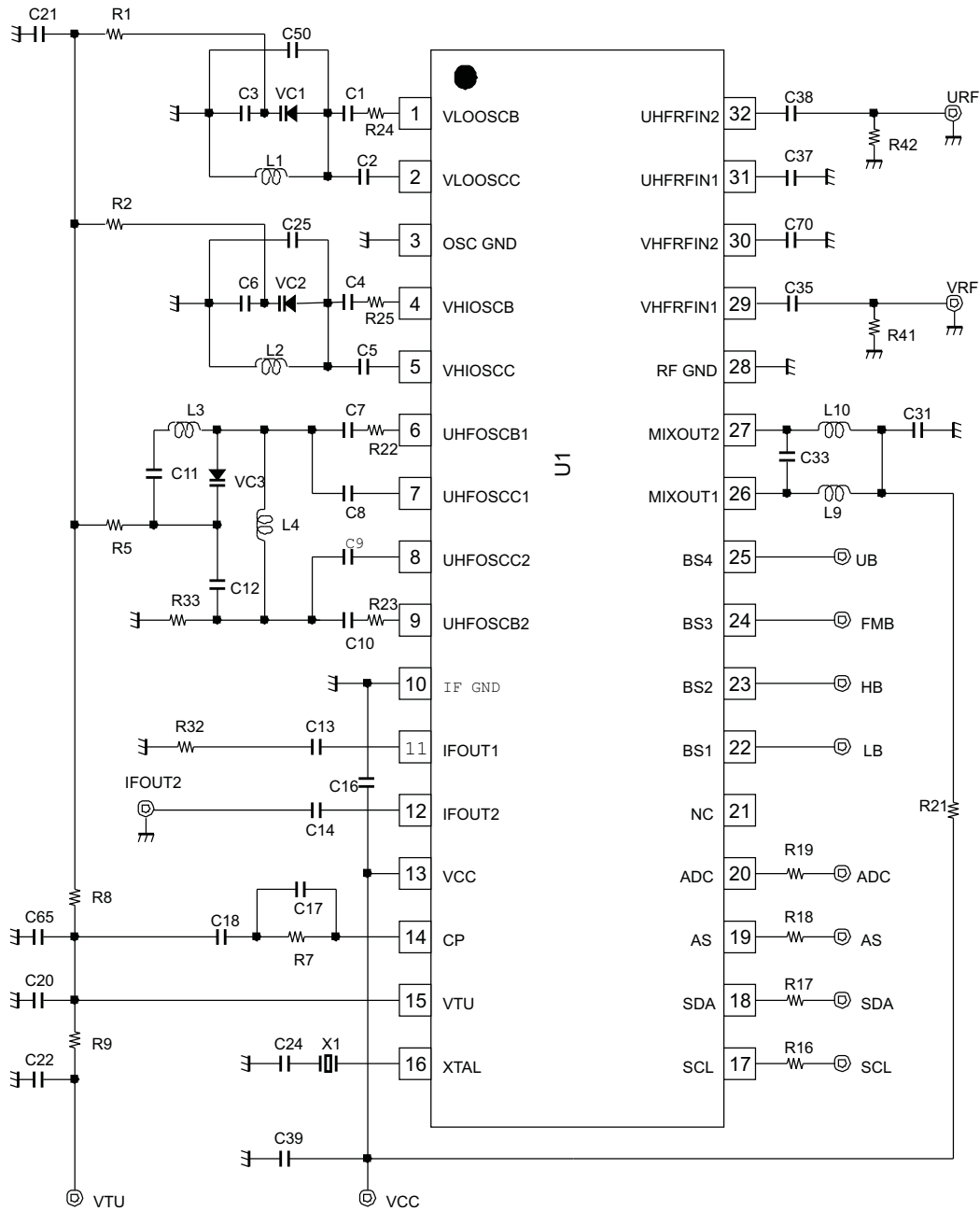
(1) Accuracy is $0.03 \times V_{CC}$.



T0101-01

Figure 16. I²C Timing Chart

APPLICATION INFORMATION



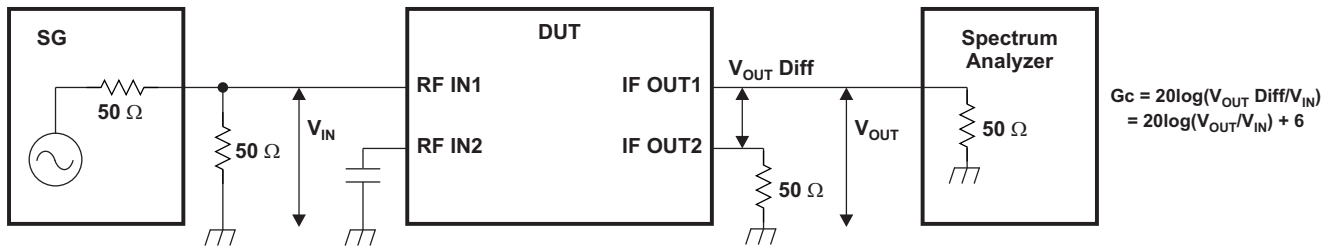
NOTE: This application information is advisory, and a performance check is required for actual application circuits. TI assumes no responsibility for the consequences of use of this circuit, such as an infringement of intellectual property rights or other rights, including patents, of third parties.

Figure 17. Reference Measurement Circuit

Table 9. Component Values for Measurement Circuit

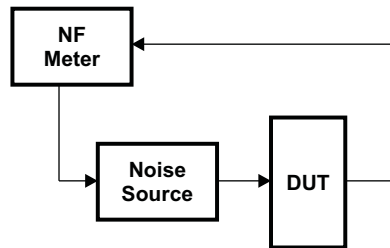
PART NAME	VALUE	PART NAME	VALUE
C1	1p	L1	φ3mm, 8T, wire 0.32mm
C2	1p	L2	φ2.4mm, 4T, wire 0.4mm
C3	47p	L3	φ3mm, 2T, wire 0.4mm
C4	2p	L4	φ2mm, 3T, wire 0.4mm
C5	3p	L9	φ3mm, 15T, wire 0.25mm
C6	68p	L10	φ3mm, 15T, wire 0.25mm
C7	1.5p	R1	33k
C8	1p	R2	33k
C9	1p	R5	22k
C10	1.5p	R7	22k
C11	100p	R8	33k
C12	12p	R9	22k
C13	2.2n	R16	330
C14	2.2n	R17	330
C16	4.7n	R18	330
C17	2.2n	R19	330
C18	0.1u	R21	0
C20	2.2n	R22	20
C21	2.2n	R23	20
C22	2.2n	R24	20
C24	68p	R25	20
C25	open	R32	51
C31	4.7n	R33	22k
C33	22p	R41	51
C35	2.2n	R42	51
C37	2.2n	U1	SN761683B
C38	2.2n	VC1	1T363A
C39	4.7n	VC2	1T363A
C50	3p	VC3	1T363A
C65	2.2n	X1	Crystal 4 MHz
C70	2.2n		

TEST CIRCUITS



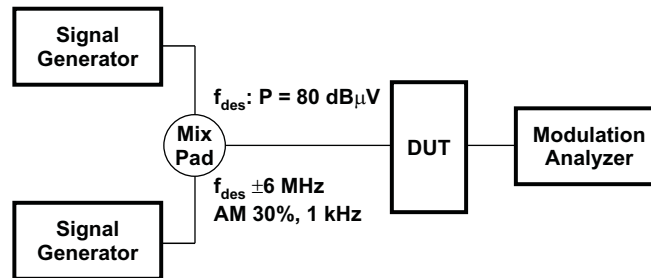
S0145-01

Figure 18. Conversion Gain-Measurement Circuit



B0090-01

Figure 19. Noise-Figure Measurement Circuit



B0091-01

Figure 20. 1% Cross-Modulation Distortion Measurement Circuit

TYPICAL CHARACTERISTICS

Band-Switch Driver Output Voltage (BS1–BS4)

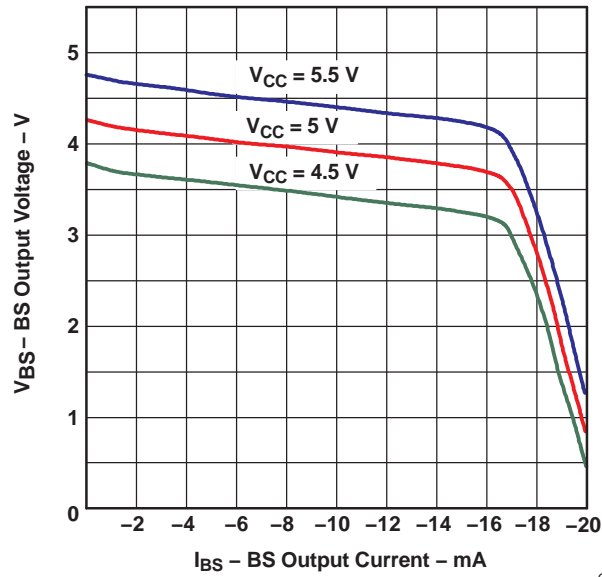


Figure 21. BS Output Current vs Output Voltage

S-Parameter

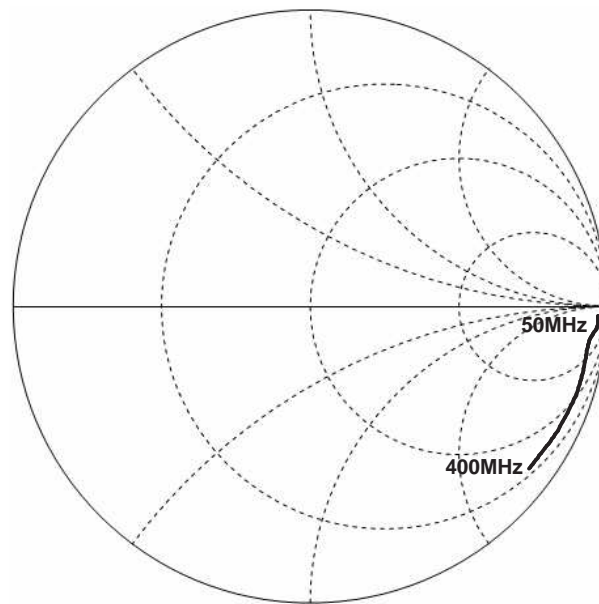


Figure 22. VHF Input

TYPICAL CHARACTERISTICS (continued)

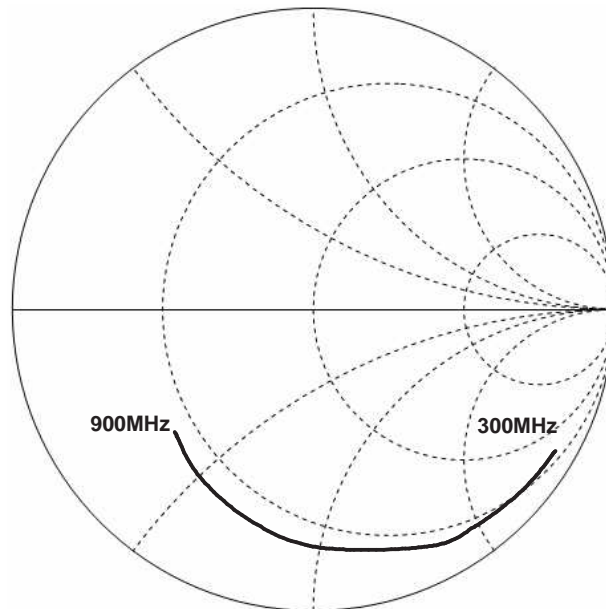


Figure 23. UHF Input

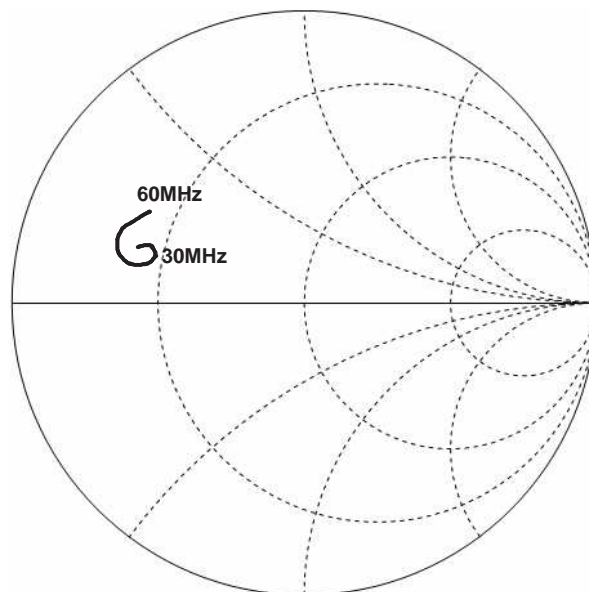


Figure 24. IF Output

PACKAGING INFORMATION

Orderable Device	Status ⁽¹⁾	Package Type	Package Drawing	Pins	Package Qty	Eco Plan ⁽²⁾	Lead/ Ball Finish	MSL Peak Temp ⁽³⁾	Samples (Requires Login)
SN761683BDA	OBSOLETE	TSSOP	DA	32		TBD	Call TI	Call TI	
SN761683BDAG4	OBSOLETE	TSSOP	DA	32		TBD	Call TI	Call TI	
SN761683BDAR	ACTIVE	TSSOP	DA	32	2000	Green (RoHS & no Sb/Br)	CU NIPDAU	Level-2-260C-1 YEAR	
SN761683BDARG4	ACTIVE	TSSOP	DA	32	2000	Green (RoHS & no Sb/Br)	CU NIPDAU	Level-2-260C-1 YEAR	

⁽¹⁾ The marketing status values are defined as follows:

ACTIVE: Product device recommended for new designs.

LIFEBUY: TI has announced that the device will be discontinued, and a lifetime-buy period is in effect.

NRND: Not recommended for new designs. Device is in production to support existing customers, but TI does not recommend using this part in a new design.

PREVIEW: Device has been announced but is not in production. Samples may or may not be available.

OBSOLETE: TI has discontinued the production of the device.

⁽²⁾ Eco Plan - The planned eco-friendly classification: Pb-Free (RoHS), Pb-Free (RoHS Exempt), or Green (RoHS & no Sb/Br) - please check <http://www.ti.com/productcontent> for the latest availability information and additional product content details.

TBD: The Pb-Free/Green conversion plan has not been defined.

Pb-Free (RoHS): TI's terms "Lead-Free" or "Pb-Free" mean semiconductor products that are compatible with the current RoHS requirements for all 6 substances, including the requirement that lead not exceed 0.1% by weight in homogeneous materials. Where designed to be soldered at high temperatures, TI Pb-Free products are suitable for use in specified lead-free processes.

Pb-Free (RoHS Exempt): This component has a RoHS exemption for either 1) lead-based flip-chip solder bumps used between the die and package, or 2) lead-based die adhesive used between the die and leadframe. The component is otherwise considered Pb-Free (RoHS compatible) as defined above.

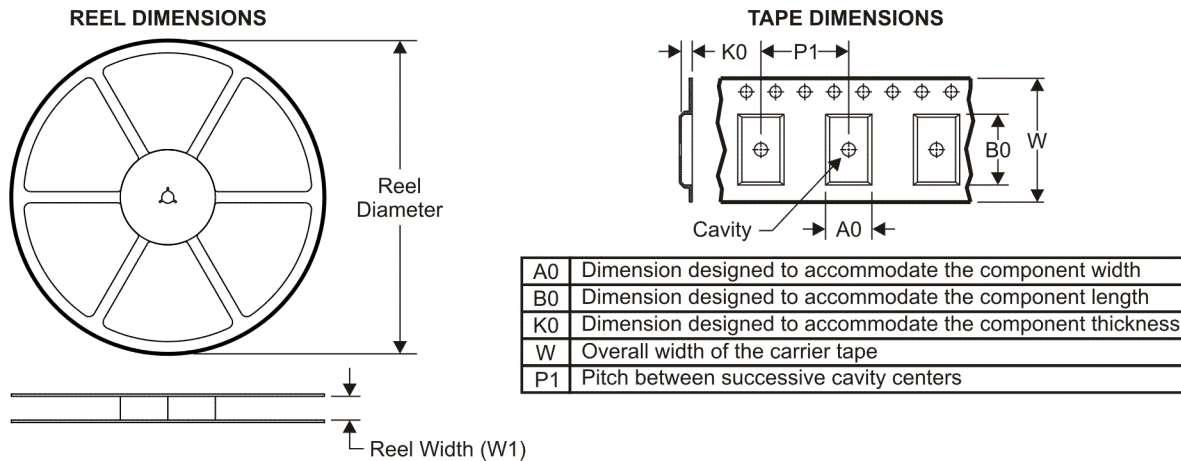
Green (RoHS & no Sb/Br): TI defines "Green" to mean Pb-Free (RoHS compatible), and free of Bromine (Br) and Antimony (Sb) based flame retardants (Br or Sb do not exceed 0.1% by weight in homogeneous material)

⁽³⁾ MSL, Peak Temp. -- The Moisture Sensitivity Level rating according to the JEDEC industry standard classifications, and peak solder temperature.

Important Information and Disclaimer: The information provided on this page represents TI's knowledge and belief as of the date that it is provided. TI bases its knowledge and belief on information provided by third parties, and makes no representation or warranty as to the accuracy of such information. Efforts are underway to better integrate information from third parties. TI has taken and continues to take reasonable steps to provide representative and accurate information but may not have conducted destructive testing or chemical analysis on incoming materials and chemicals. TI and TI suppliers consider certain information to be proprietary, and thus CAS numbers and other limited information may not be available for release.

In no event shall TI's liability arising out of such information exceed the total purchase price of the TI part(s) at issue in this document sold by TI to Customer on an annual basis.

TAPE AND REEL INFORMATION



QUADRANT ASSIGNMENTS FOR PIN 1 ORIENTATION IN TAPE



*All dimensions are nominal

Device	Package Type	Package Drawing	Pins	SPQ	Reel Diameter (mm)	Reel Width W1 (mm)	A0 (mm)	B0 (mm)	K0 (mm)	P1 (mm)	W (mm)	Pin1 Quadrant
SN761683BDAR	TSSOP	DA	32	2000	330.0	24.4	8.6	11.5	1.6	12.0	24.0	Q1

TAPE AND REEL BOX DIMENSIONS

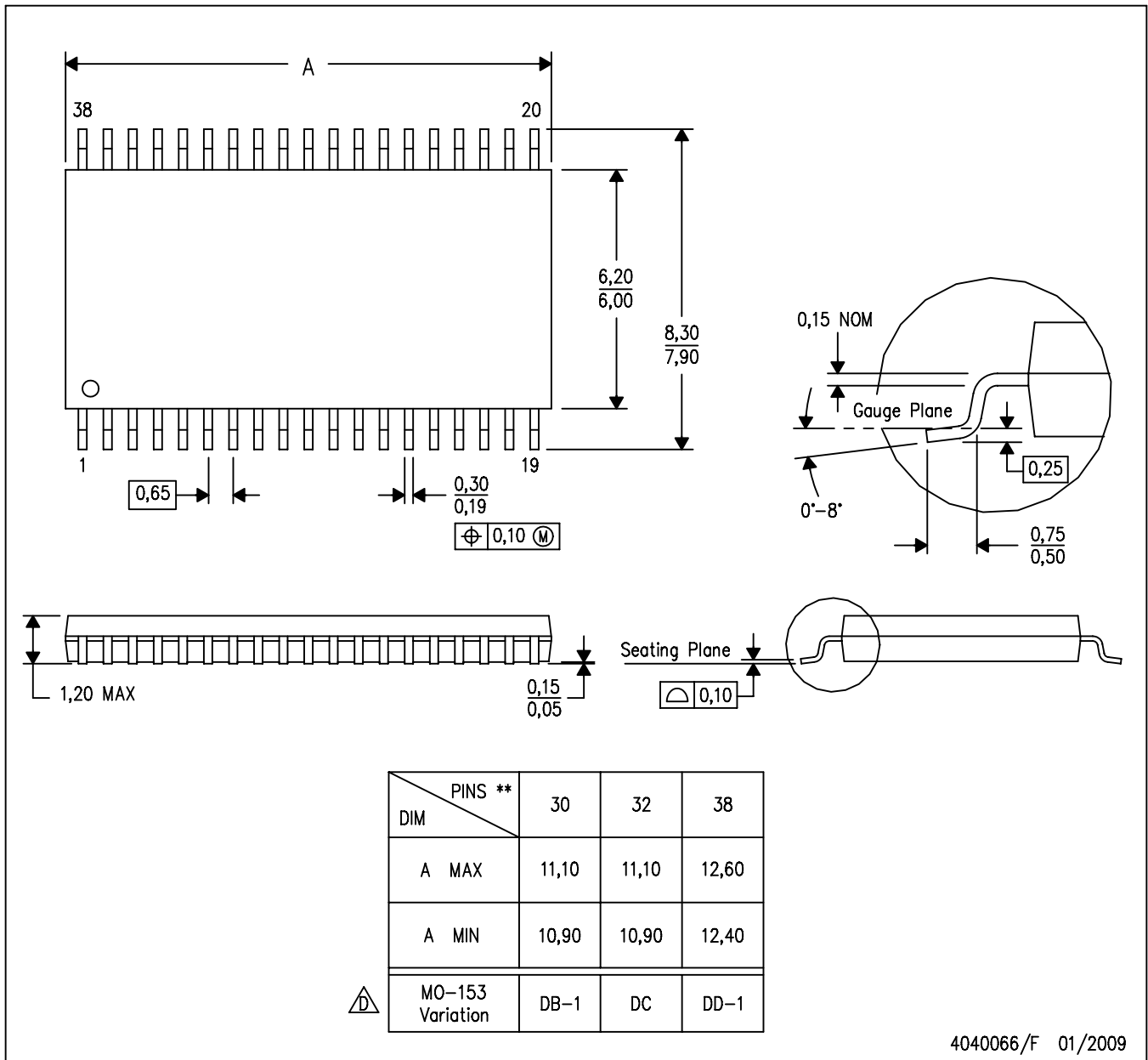


*All dimensions are nominal

Device	Package Type	Package Drawing	Pins	SPQ	Length (mm)	Width (mm)	Height (mm)
SN761683BDAR	TSSOP	DA	32	2000	346.0	346.0	41.0

DA (R-PDSO-G**)
 38 PIN SHOWN

PLASTIC SMALL-OUTLINE PACKAGE



- NOTES:
- A. All linear dimensions are in millimeters.
 - B. This drawing is subject to change without notice.
 - C. Body dimensions do not include mold flash or protrusion. Mold flash and protrusion shall not exceed 0.15 per side.
 - Falls within JEDEC MO-153, except 30 pin body length.

IMPORTANT NOTICE

Texas Instruments Incorporated and its subsidiaries (TI) reserve the right to make corrections, modifications, enhancements, improvements, and other changes to its products and services at any time and to discontinue any product or service without notice. Customers should obtain the latest relevant information before placing orders and should verify that such information is current and complete. All products are sold subject to TI's terms and conditions of sale supplied at the time of order acknowledgment.

TI warrants performance of its hardware products to the specifications applicable at the time of sale in accordance with TI's standard warranty. Testing and other quality control techniques are used to the extent TI deems necessary to support this warranty. Except where mandated by government requirements, testing of all parameters of each product is not necessarily performed.

TI assumes no liability for applications assistance or customer product design. Customers are responsible for their products and applications using TI components. To minimize the risks associated with customer products and applications, customers should provide adequate design and operating safeguards.

TI does not warrant or represent that any license, either express or implied, is granted under any TI patent right, copyright, mask work right, or other TI intellectual property right relating to any combination, machine, or process in which TI products or services are used. Information published by TI regarding third-party products or services does not constitute a license from TI to use such products or services or a warranty or endorsement thereof. Use of such information may require a license from a third party under the patents or other intellectual property of the third party, or a license from TI under the patents or other intellectual property of TI.

Reproduction of TI information in TI data books or data sheets is permissible only if reproduction is without alteration and is accompanied by all associated warranties, conditions, limitations, and notices. Reproduction of this information with alteration is an unfair and deceptive business practice. TI is not responsible or liable for such altered documentation. Information of third parties may be subject to additional restrictions.

Resale of TI products or services with statements different from or beyond the parameters stated by TI for that product or service voids all express and any implied warranties for the associated TI product or service and is an unfair and deceptive business practice. TI is not responsible or liable for any such statements.

TI products are not authorized for use in safety-critical applications (such as life support) where a failure of the TI product would reasonably be expected to cause severe personal injury or death, unless officers of the parties have executed an agreement specifically governing such use. Buyers represent that they have all necessary expertise in the safety and regulatory ramifications of their applications, and acknowledge and agree that they are solely responsible for all legal, regulatory and safety-related requirements concerning their products and any use of TI products in such safety-critical applications, notwithstanding any applications-related information or support that may be provided by TI. Further, Buyers must fully indemnify TI and its representatives against any damages arising out of the use of TI products in such safety-critical applications.

TI products are neither designed nor intended for use in military/aerospace applications or environments unless the TI products are specifically designated by TI as military-grade or "enhanced plastic." Only products designated by TI as military-grade meet military specifications. Buyers acknowledge and agree that any such use of TI products which TI has not designated as military-grade is solely at the Buyer's risk, and that they are solely responsible for compliance with all legal and regulatory requirements in connection with such use.

TI products are neither designed nor intended for use in automotive applications or environments unless the specific TI products are designated by TI as compliant with ISO/TS 16949 requirements. Buyers acknowledge and agree that, if they use any non-designated products in automotive applications, TI will not be responsible for any failure to meet such requirements.

Following are URLs where you can obtain information on other Texas Instruments products and application solutions:

Products

Audio	www.ti.com/audio
Amplifiers	amplifier.ti.com
Data Converters	dataconverter.ti.com
DLP® Products	www.dlp.com
DSP	dsp.ti.com
Clocks and Timers	www.ti.com/clocks
Interface	interface.ti.com
Logic	logic.ti.com
Power Mgmt	power.ti.com
Microcontrollers	microcontroller.ti.com
RFID	www.ti-rfid.com
OMAP Mobile Processors	www.ti.com/omap
Wireless Connectivity	www.ti.com/wirelessconnectivity

Applications

Communications and Telecom	www.ti.com/communications
Computers and Peripherals	www.ti.com/computers
Consumer Electronics	www.ti.com/consumer-apps
Energy and Lighting	www.ti.com/energy
Industrial	www.ti.com/industrial
Medical	www.ti.com/medical
Security	www.ti.com/security
Space, Avionics and Defense	www.ti.com/space-avionics-defense
Transportation and Automotive	www.ti.com/automotive
Video and Imaging	www.ti.com/video

TI E2E Community Home Page

e2e.ti.com

Mailing Address: Texas Instruments, Post Office Box 655303, Dallas, Texas 75265
Copyright © 2011, Texas Instruments Incorporated