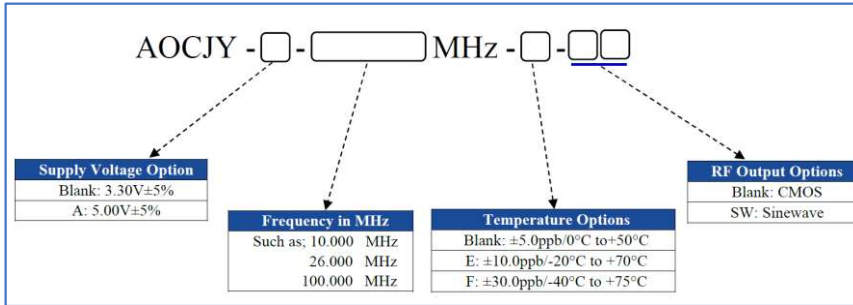


ECN/PCN No.: 4315

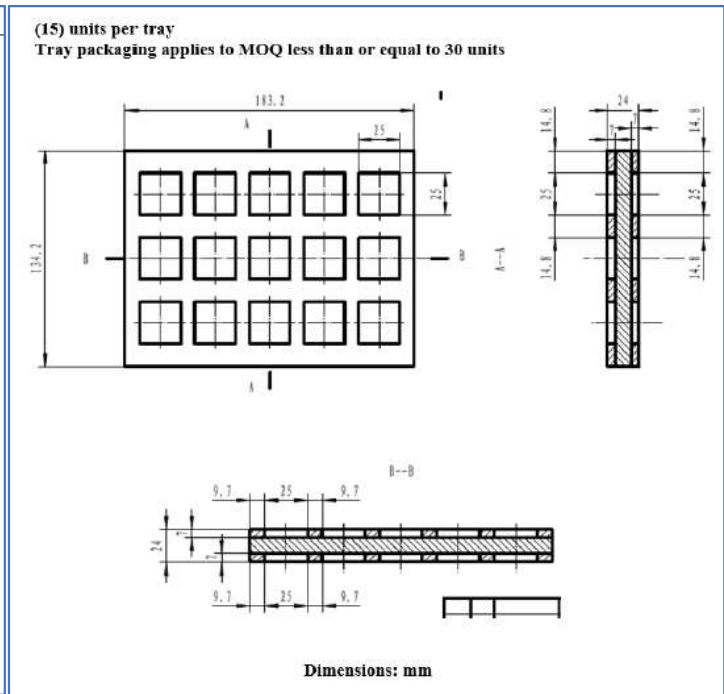
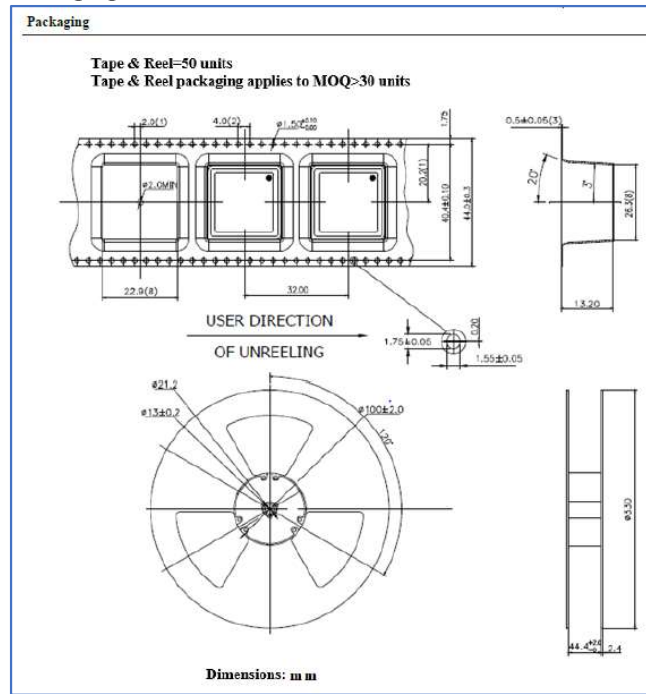
For Manufacturer			
<b>Product Description:</b> Oven Controlled Crystal Oscillator	<b>Abracon Part Number / Part Series:</b> AOCJY	<input type="checkbox"/> Documentation only <input checked="" type="checkbox"/> ECN <input type="checkbox"/> EOL	<input checked="" type="checkbox"/> Series <input type="checkbox"/> Part Number
<b>Affected Revision:</b> G	<b>New Revision:</b> H	<b>Application:</b>	<input type="checkbox"/> Safety <input checked="" type="checkbox"/> Non-Safety

Prior to Change:

Part Number Builder:

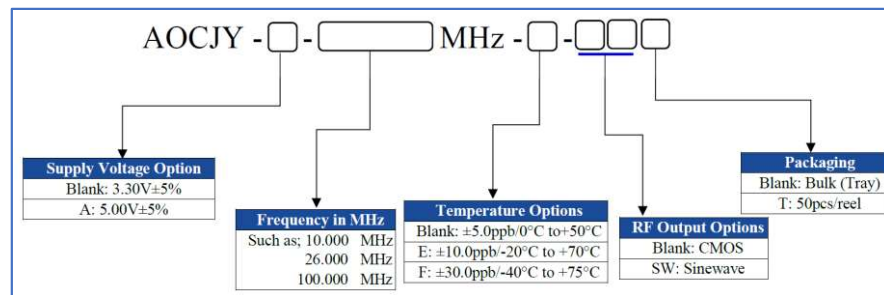


Packaging:

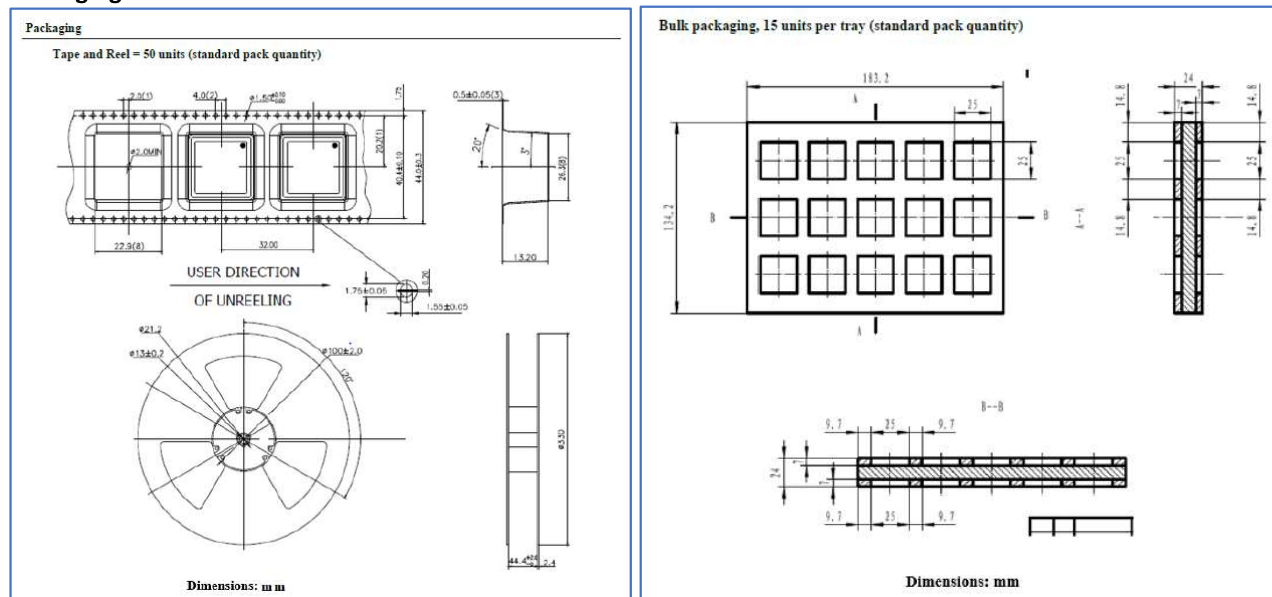


After Change:

Part Number Builder:



Packaging:



**Cause/Reason for Change:**

Standard product series review and upgrade. Updated packing method for higher volume quantities.

### Change Plan

<b>Effective Date:</b> 05/27/2022	<b>Additional Remarks:</b> N/A
--------------------------------------	-----------------------------------

**Change Declaration:**

This change does not affect the electrical nor mechanical performance of this product.

<b>Issued Date:</b> 05/27/2022	<b>Issued By:</b>	<b>Issued Department:</b>
-----------------------------------	-------------------	---------------------------

<b>Approval:</b>	<b>Approval:</b>	<b>Approval:</b>
------------------	------------------	------------------

### For Abracon EOL only

<b>Last Time Buy (if applicable):</b> N/A	<b>Alternate Part Number / Part Series:</b> N/A	
<b>Additional Approval:</b> N/A	<b>Additional Approval:</b> N/A	<b>Additional Approval:</b> N/A

**Customer Approval (If Applicable)****Qualification Status:** Approved  Not accepted*Note: It is considered approved if there is no feedback from the customer 1 month after ECN/PCN is released.***Customer Part Number:****Customer Project:****Company Name:****Company Representative:****Representative Signature:****Customer Remarks:**

**affected part numbers**

AOCJY-10.000MHZ

AOCJY-10.000MHZ-E

AOCJY-10.000MHZ-E-SW

AOCJY-10.000MHZ-F

AOCJY-10.000MHZ-F-SW

AOCJY-100.000MHZ

AOCJY-100.000MHZ-E

AOCJY-100.000MHZ-E-SW

AOCJY-100.000MHZ-F

AOCJY-100.000MHZ-F-SW

AOCJY-100.000MHZ-SW

AOCJY-107-40.000MHZ-T

AOCJY-12.800MHZ

AOCJY-12.800MHZ-E

AOCJY-12.800MHZ-F

AOCJY-16.368MHZ-F-SW

AOCJY-16.384MHZ

AOCJY-16.384MHZ-E

AOCJY-16.384MHZ-F-SW

AOCJY-19.440MHZ-E

AOCJY-20.000MHZ

AOCJY-20.000MHZ-E

AOCJY-20.000MHZ-F

AOCJY-20.000MHZ-SW

AOCJY-26.000MHZ-E-SW

AOCJY-26.000MHZ-F

AOCJY-26.000MHZ-SW

AOCJY-38.400MHZ-E

AOCJY-38.880MHZ

AOCJY-38.880MHZ-E

AOCJY-38.880MHZ-F

AOCJY-40.000MHZ-E

AOCJY-40.000MHZ-E-SW

AOCJY-96.000MHZ

AOCJY-96.000MHZ-E