

PLEASE CHECK WWW.MOLEX.COM FOR LATEST PART INFORMATION

Part Number: [2001991500](#)
Status: **Active**
Overview: [Application Tooling](#)
Description: Extration Tool for EXTreme Guardian Power Vertical Plug PCB Header, Compliant Pin, 2-6 Circuit, 151053 Series

Documents:

[RoHS Certificate of Compliance \(PDF\)](#)

General

Product Family	Application Tooling
Series	207123
Comments	See Tooling Specification (PDF) Above
Function	Extraction
Geographic Area	Global
Level of Automation	Manual
More Detailed Tech Information	applicationtooling@molex.com
Overview	Application Tooling
Product Name	EXTreme Guardian
Tool Type	Extraction Hand Tool
UPC	195842128354
Warranty Disclaimer	CAUTION: Molex tooling crimp specifications are valid only when used with Molex terminals and tooling manufactured by Molex and sold by Molex or authorized distributors ("Molex Tooling"). When using tooling other than Molex Tooling with Molex specific connector systems listed in our ATS documents, the Molex tooling qualification does not apply and the responsibility for full qualification of the connector system is that of the customer. Molex accepts no liability for connector performance or tooling support where tooling other than Molex Tooling is used or where Molex Tooling is modified.

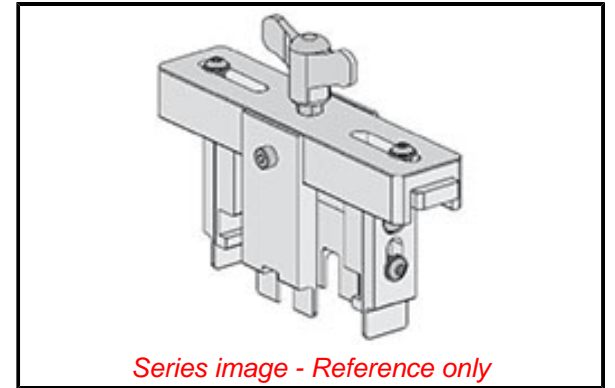
Physical

Net Weight 530.430/g

Material Info

Reference - Drawing Numbers

Application Tooling Documents 2001991500-000



EU ELV

Not Reviewed

EU RoHS

Not Reviewed

REACH SVHC

Not Reviewed

Halogen-Free

Status

Not Reviewed

For more information, please visit [Contact US](#)

China ROHS

Not Reviewed

ELV

Not Reviewed

RoHS Phthalates

Not Reviewed

Search Parts in this Series

[207123 Series](#)

Application Tooling | **FAQ**
Description | **Product #**

11.00mm Pitch EXTreme Guardian Power Vertical Plug PCB Header, 2.30mm PCB Thickness, Gold (Au) Plating, 2 Circuits	1510530002
11.00mm Pitch EXTreme Guardian Power Vertical Plug PCB Header, 2.30mm PCB Thickness, Gold Plated, 3 Circuits	1510530003
11.00mm Pitch EXTreme Guardian Power Vertical Plug PCB Header, 2.30mm PCB Thickness, Gold Plated, 4 Circuits	1510530004

11.00mm Pitch EXTreme Guardian Power Vertical Plug PCB Header, 2.30mm PCB Thickness, Gold Plated, 5 Circuits	<u>1510530005</u>
11.00mm Pitch EXTreme Guardian Power Vertical Plug PCB Header, 2.30mm PCB Thickness, Gold Plated, 6 Circuits	<u>1510530006</u>

This document was generated on 02/27/2021

PLEASE CHECK WWW.MOLEX.COM FOR LATEST PART INFORMATION