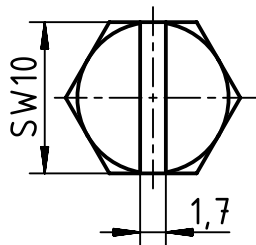
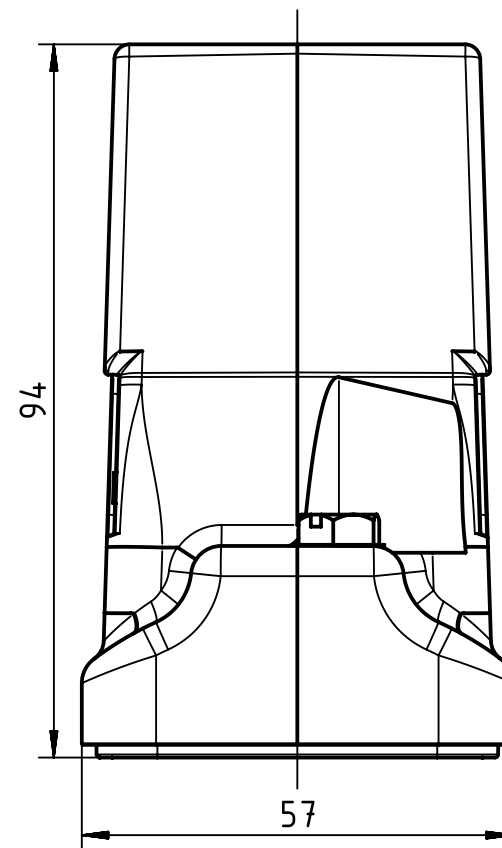
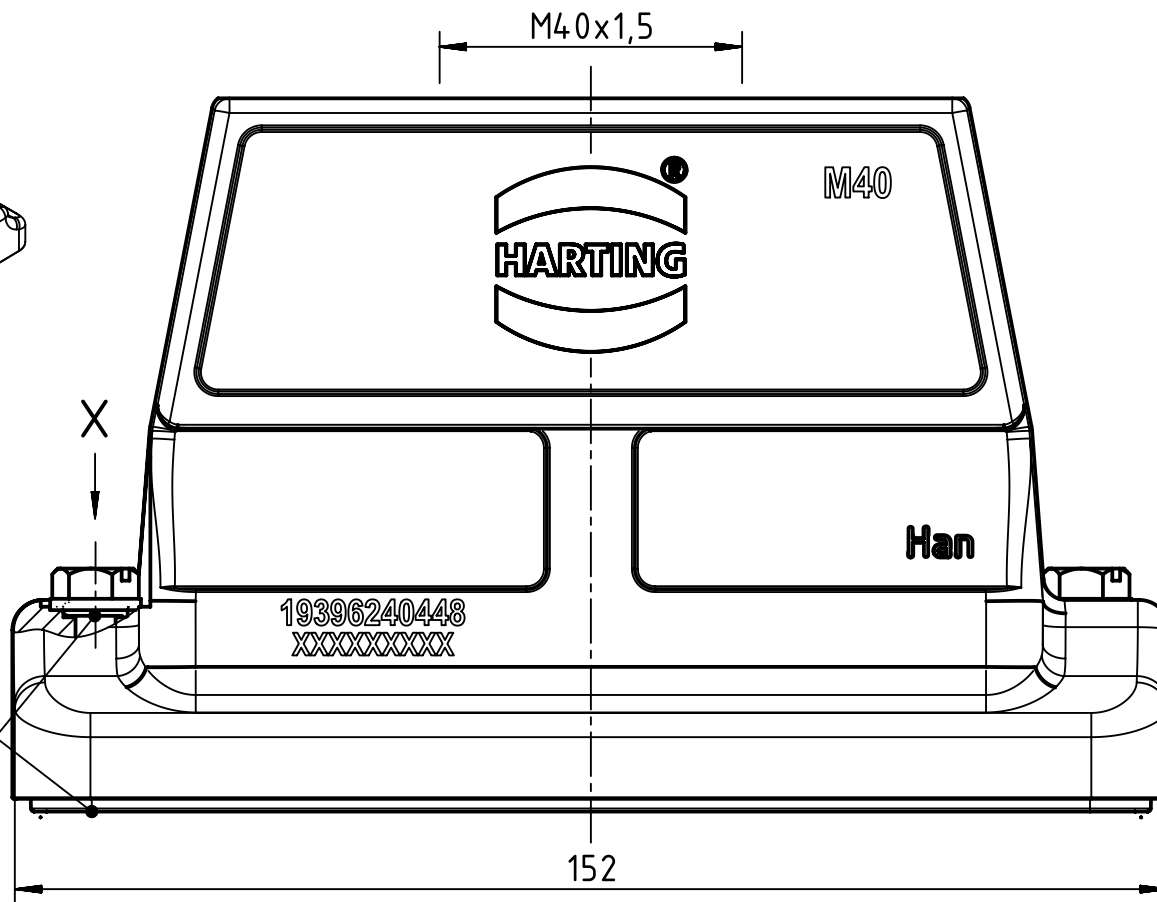


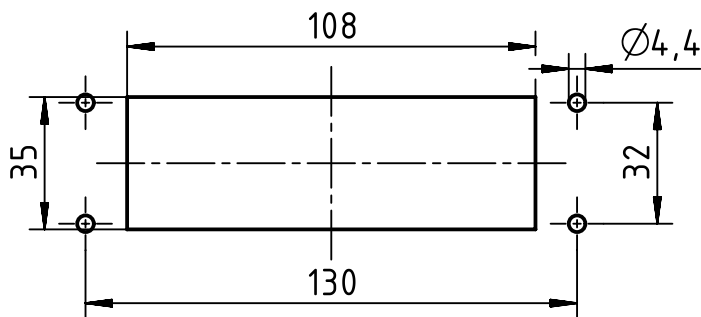
X (2:1)



Seal



Panel cut out (1:2)



All Dimensions in mm  
Original Size DIN A4

Scale  
1:1

Free size tol.

Ref.

Sub.



All rights reserved

Department EL PD - CN

Created by  
LONGL

Inspected by  
WENE

Standardisation  
SCHMIDTM

Date  
2017-03-20

State  
Final Release

Title  
Han 24HP Direct/B-HTE-M40

Doc-Key / ECM-Nr.  
100632601/UGD/005/D  
500000116962

HARTING (Zhuhai) Manufacturing Co., Ltd.  
519085 Zhuhai, China

Type  
TB

Number  
19 39 624 0448

Rev.  
D

Page  
1/1