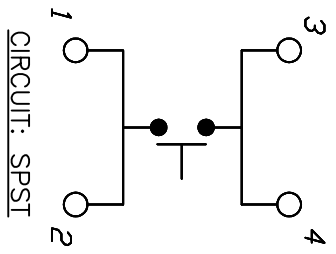
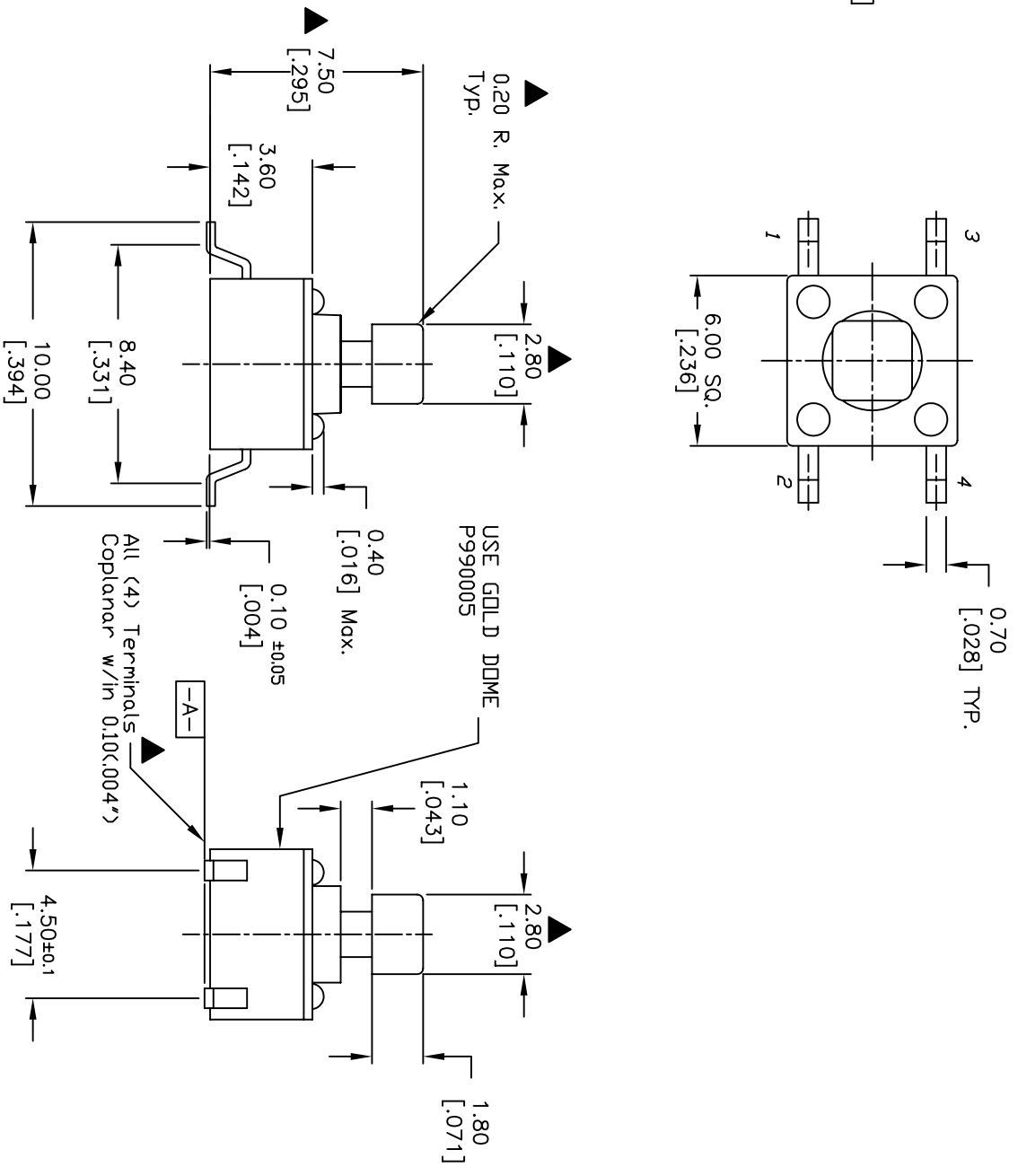


RECOMMENDED MOUNTING PAD



- NOTES:
1. ALL DIMENSIONS IN MM [INCH]
  2. GENERAL TOLERANCE: X.X=±0.4  
X.XX=±0.25
  3. TERM. NOS. FOR REFERENCE ONLY.
  4. RATINGS: 12VDC, 50mA
  5. CONTACT MATERIAL: GOLD
  6. OPERATING FORCE: 160±50gf
  7. TRAVEL: 0.25±0.1mm
  8. CONTACT RESISTANCE: 100 MILLI Ω Max.
  9. ELECTRICAL LIFE: 100,000 CYCLES min.
  10. DESIGNATE MAJOR FEATURE:
  11. BODY& STEM: HIGH TEMP. PLASTIC  
-PPS RYTON-R-4
  12. PACKAGED: TAPE & REEL, 750 PIECES PER REEL
  13. 2002/95/EC (ROHS) COMPLIANT



C	16988	REV. (TAPE & REEL VERSION)	2/13/07	TN
B	16125	ADD GOLD DDMC CALLOUT	6/9/06	CT
A	11622	RELEASED FOR PRODUCTION	10/23/01	CJB
REV.	ECN No.	DESCRIPTION	DATE	CHKD

TITLE		SCALE	DATE	DR	DWG	REV
E-SWITCH		4:1	2/13/2007	TN	P010796	C
TL3301SPF160RG						

THE INFORMATION CONTAINED IN THIS DOCUMENT IS PROPRIETARY TO E-SWITCH AND IS NOT TO BE COPIED OR TRANSMITTED