



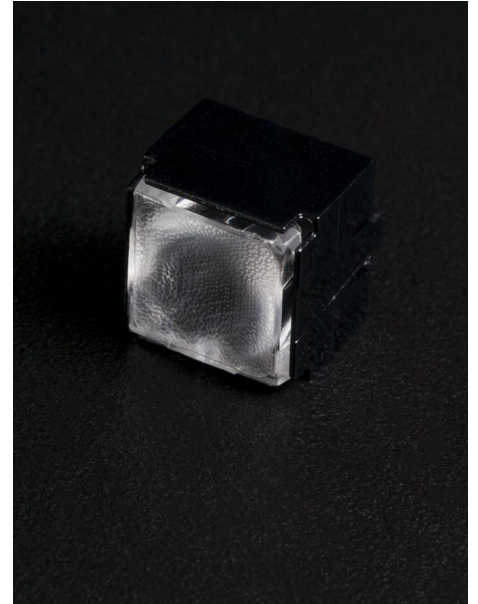
PRODUCT DATASHEET

Larisa series

last update 25/5/2016

DETAILS

Product Number	CP15309_LARISA-RZ-PIN
Family	Larisa
Type	Assembly
Color	black
Diameter	9,9 +9,9 mm
Height	7,5 mm
Style	square
Optic Material	PMMA
Holder Material	
Fastening	glue, pin
Status	production ready
ROHS Comliant	Yes
Date Updated	25/05/2016



OPTICAL PROPERTIES

LED	Viewing Angle	Light Beam	Efficiency	cd/lm	Connector
XQ-E	24 deg		77 %	2.600	-
LUXEON Z ES	26 deg		71 %	1.930	-
LUXEON C	26 deg		73 %	2.600	-
Duris S5 (2 chip)	32 deg		72 %	1.600	-

D

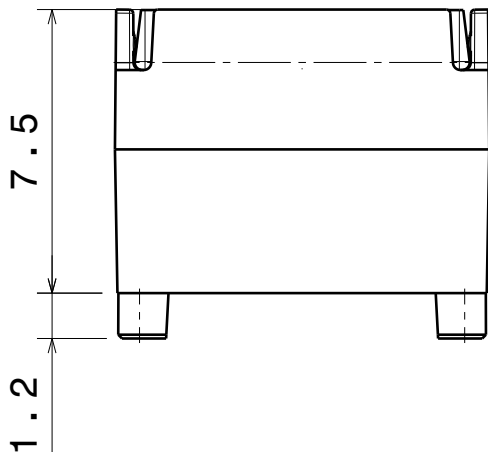
C

B

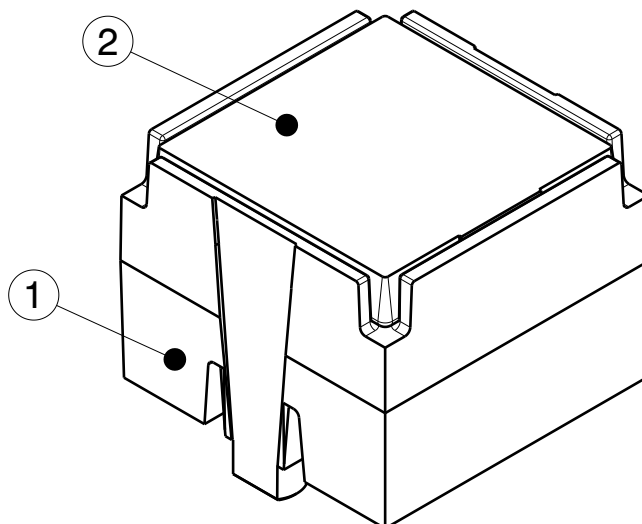
A

4

4

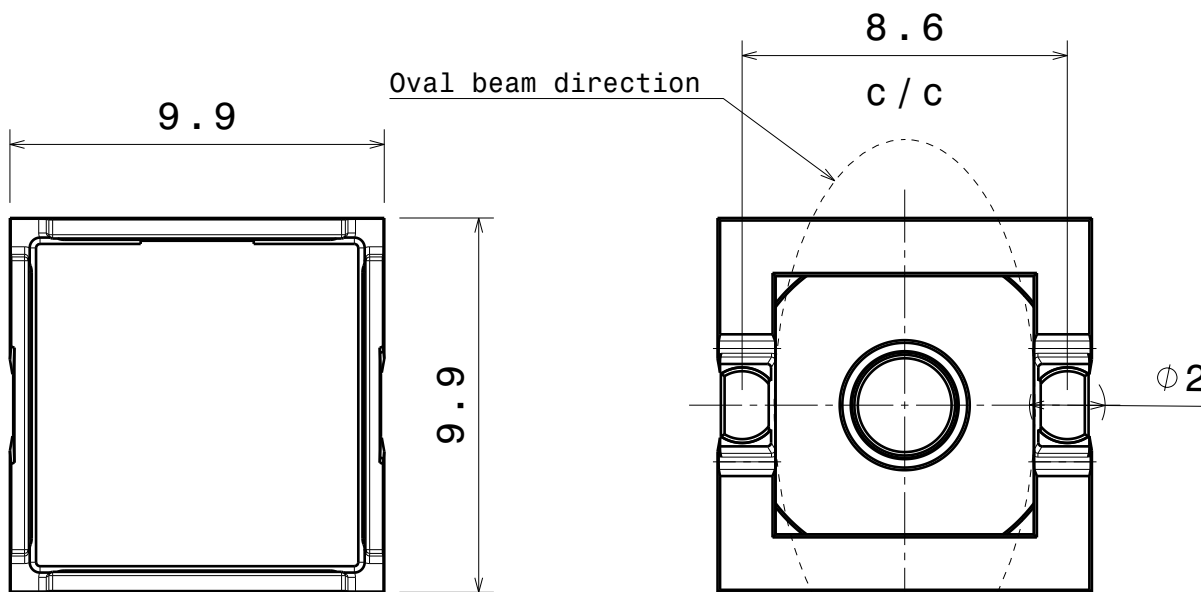


Front view

Isometric view
Scale: 5:1

3

3



Top view

Bottom view

2

2

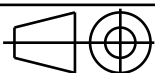
INDEX	PART NO	DESCRIPTION	MATERIAL	COLOUR
1	C15062	LARISA-HOLDER-PIN	PC	black
2	-	LARISA-lens	PMMA	

Tolerances if not otherwise shown
According to DIN ISO 2768-1
Linear measures:
Up to 30mm class M, otherwise class C.
According to DIN ISO 2768-2
Form and position: class L

LEDiL

Ledil Oy
Salorankatu 10
FIN 24240 SALO
Finland

THIRD ANGLE PROJECTION:



DRAWING TITLE

LARISA-PIN series

This drawing is the property
of LEDiL Oy. It may not be
reproduced, copied or
communicated without a written
agreement with LEDiL Oy.

SIZE PART NUMBER

A4

-

SCALE 5:1 WEIGHT

-

SHEET 1/1

D

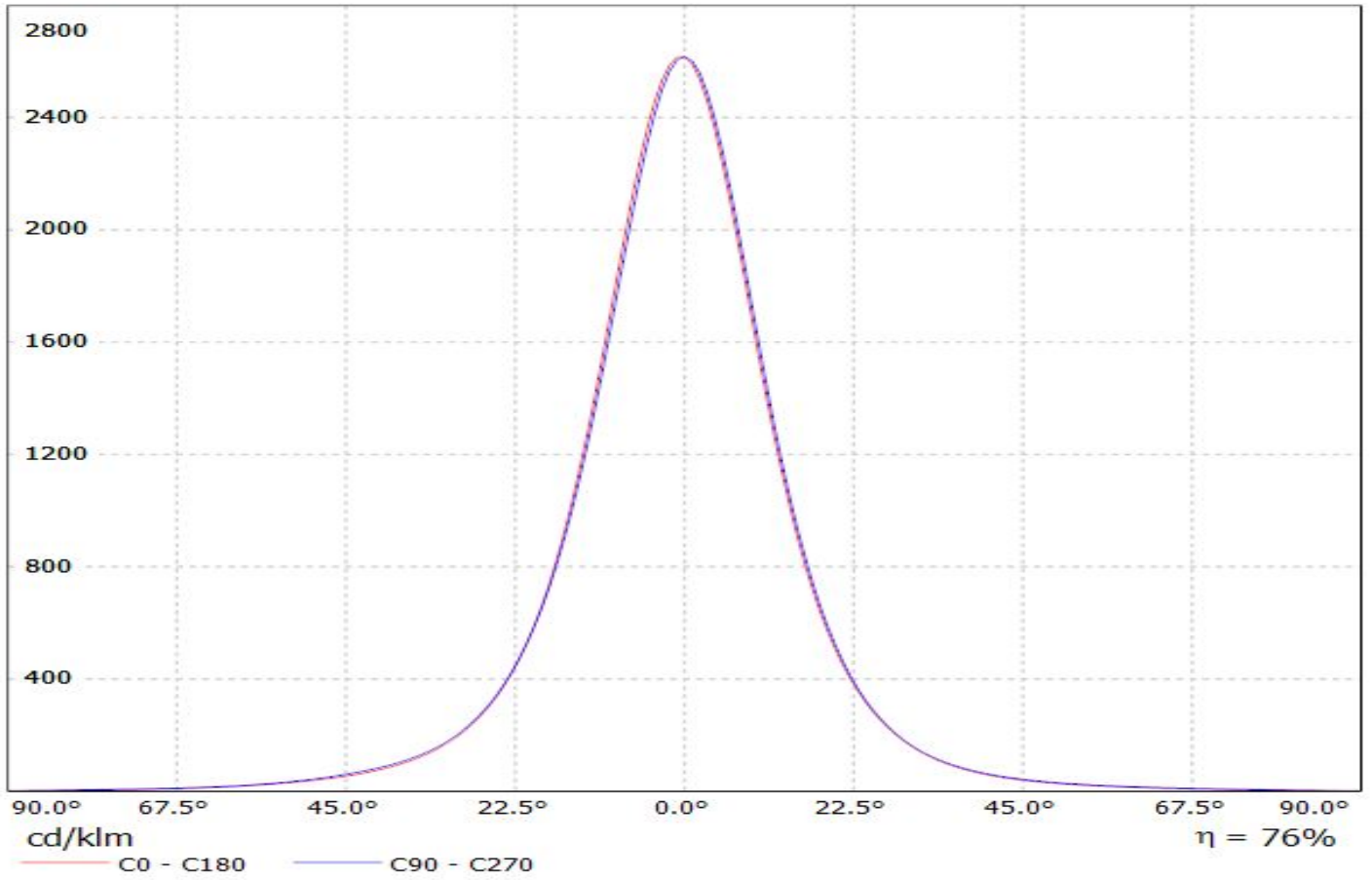
A

1

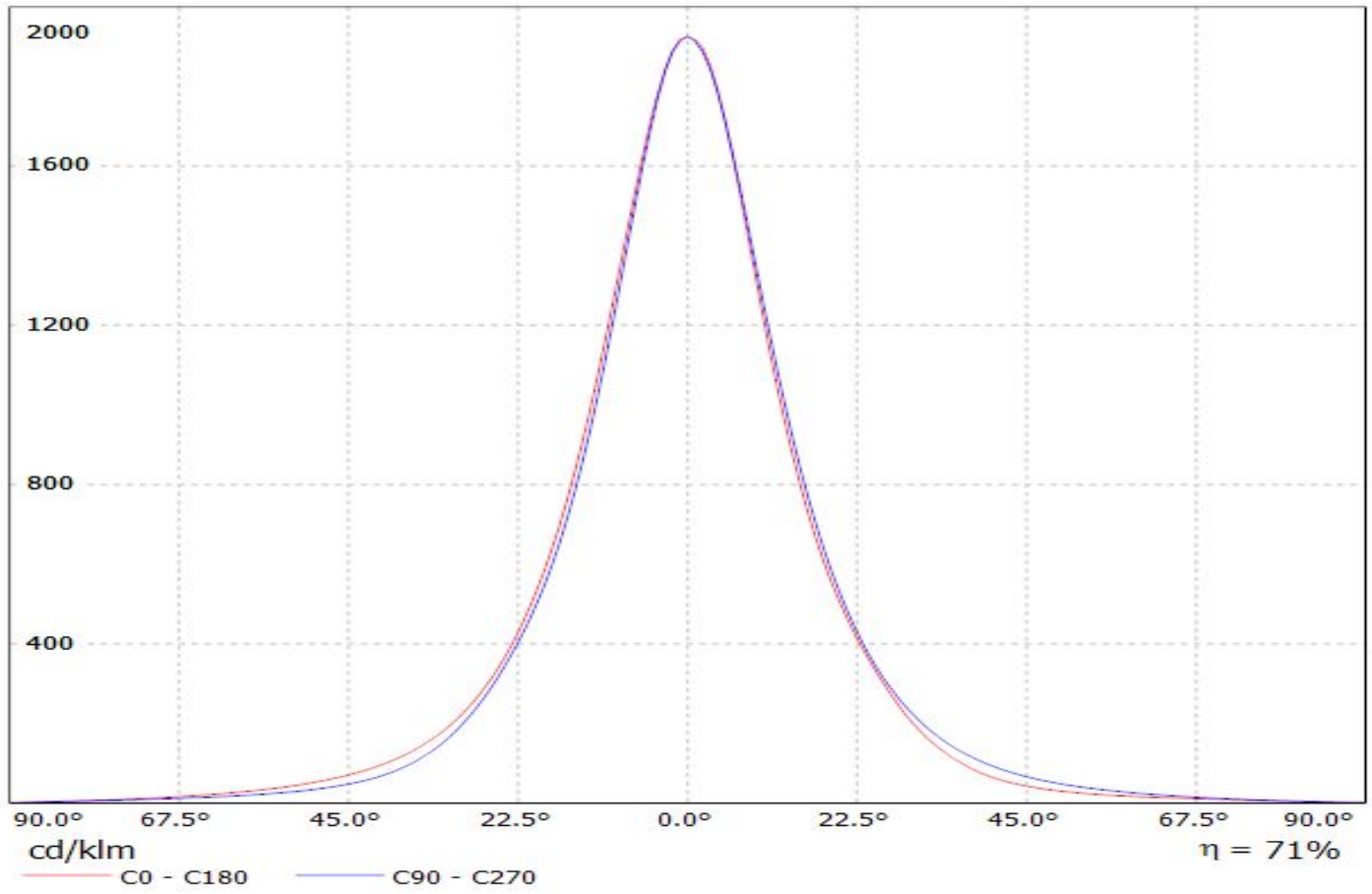
1

Luminaire: LEDiL Oy CP13666_LARISA-RZ-CLIP16_(XQ-E)

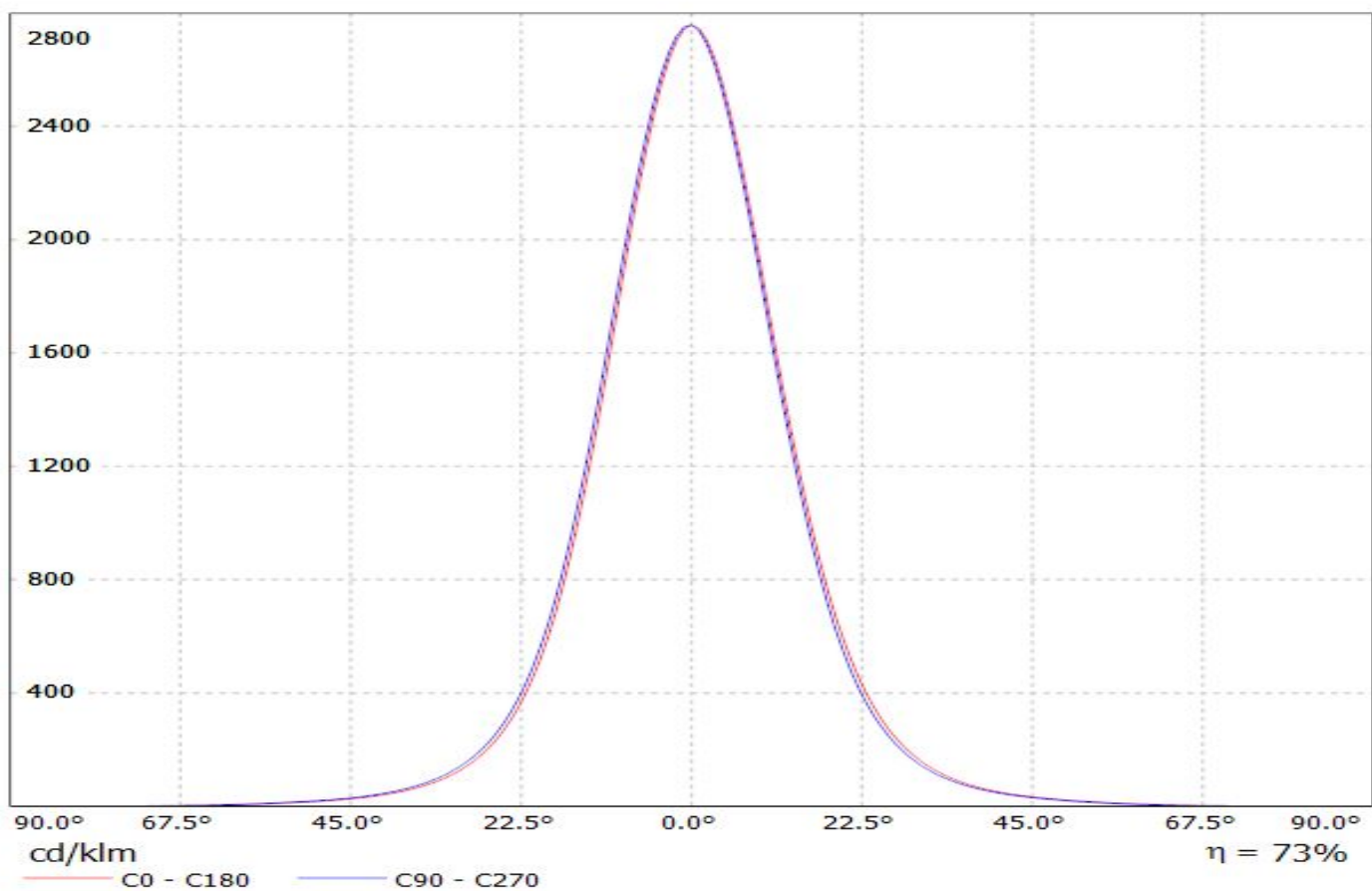
Lamps: 1 x Cree XQ-E_(XQEAWT-0-7B1-Q40-0H-00001)_81.8467lm@250mA_P=0.765444W_I=250mA



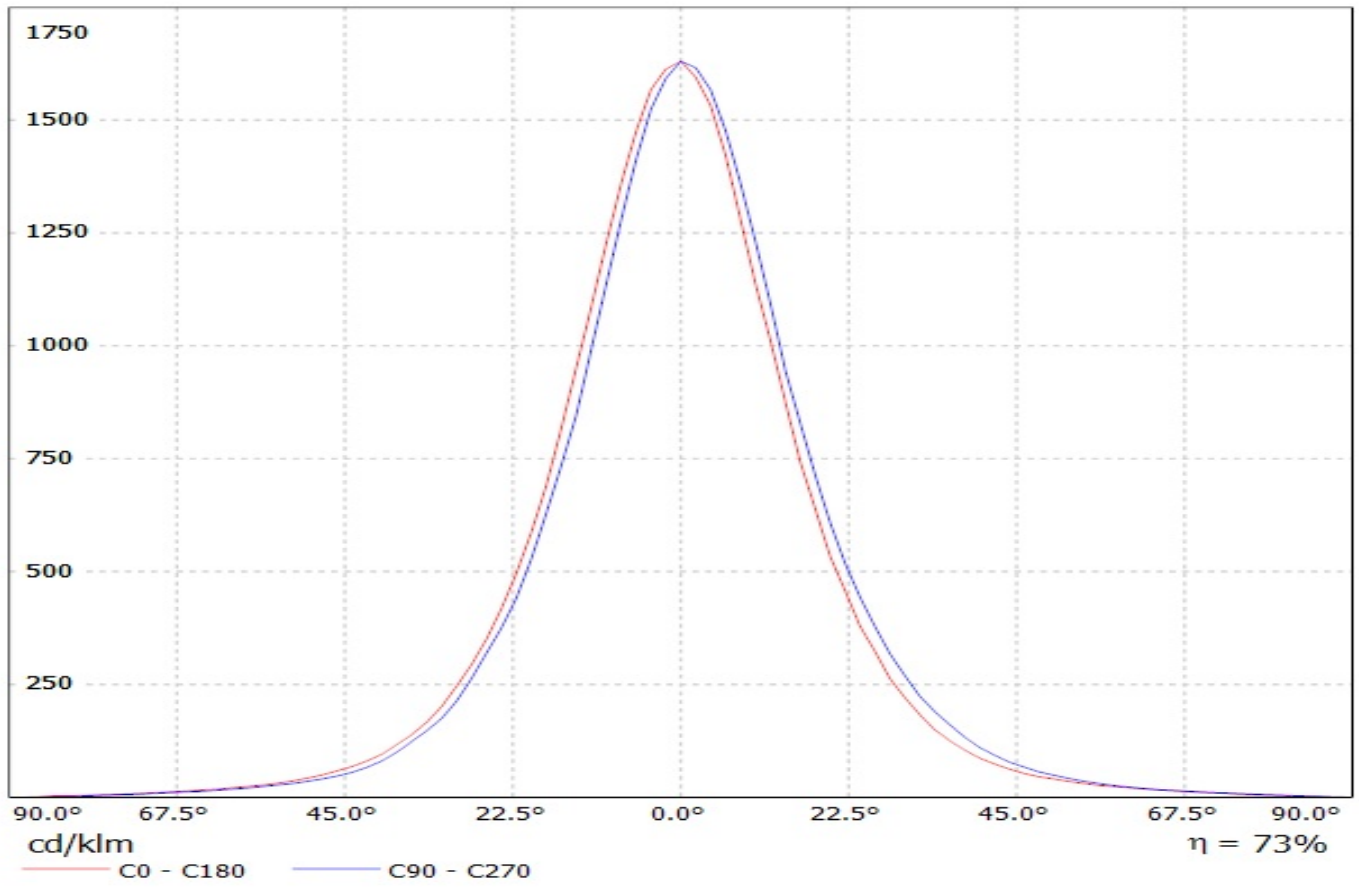
Luminaire: LEDiL Oy CP13666_LARISA-RZ-CLIP16_(Luxeon_Z_ES)
Lamps: 1 x Philips_Lumileds_Luxeon_Z_ES_(LXZ2-2790)_51.1518lm@250mA_P=0.73718W_I=249.9mA



Luminaire: LEDiL Oy
Lamps: 1 x CP15309_LARISA-RZ-PIN_(Luxeon_C)

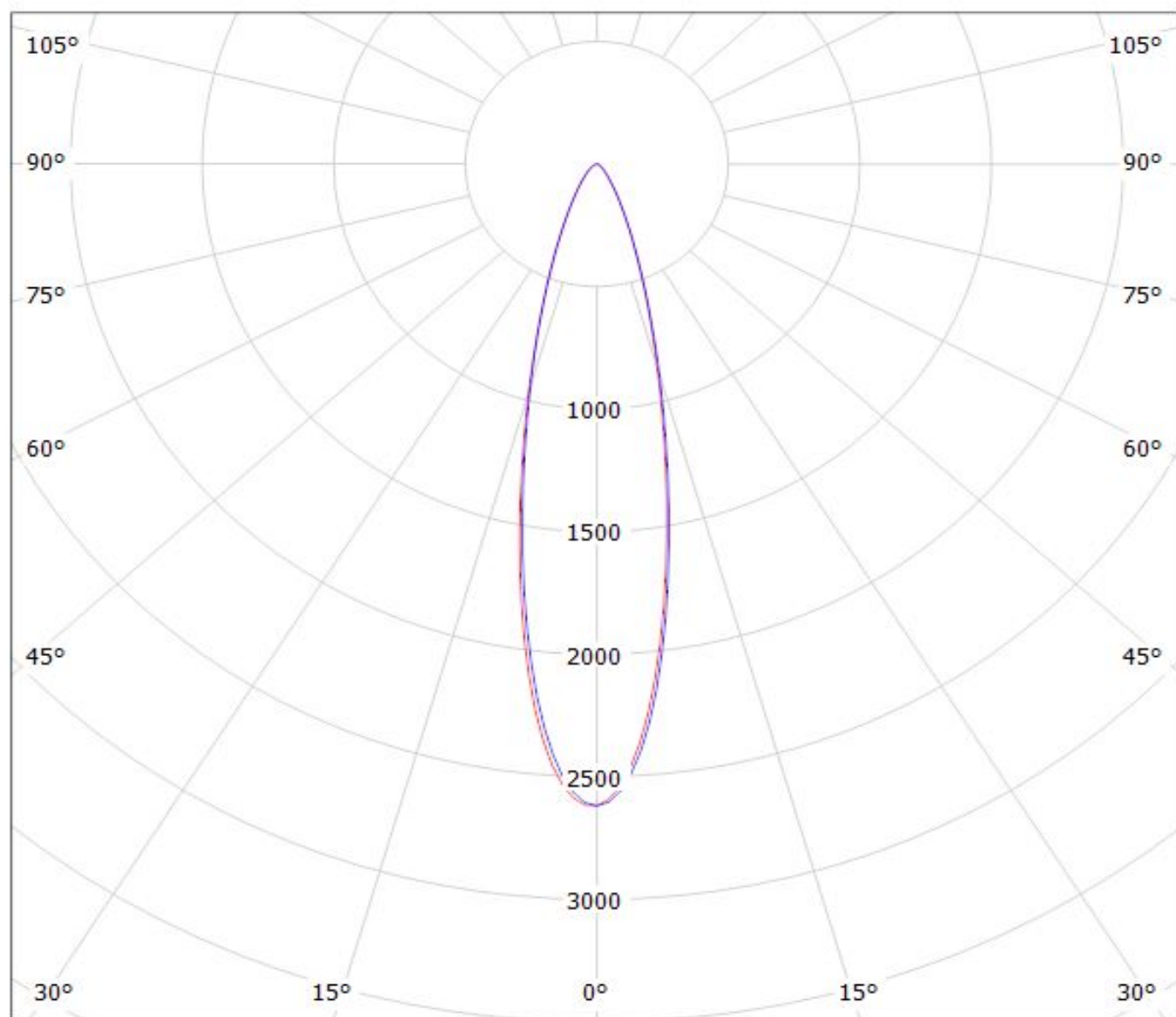


Luminaire: LEDil Oy CP13666_LARISA-RZ-CLIP16_(DURIS_S5) Efficiency=72%
Lamps: 1 x Osram Duris S5 (GW PSLPS1.EC) 102lm @ 150mA CCT=6300K P=1.0W I=150mA



Luminaire: LEDiL Oy CP13666_LARISA-RZ-CLIP16_(XQ-E)

Lamps: 1 x Cree XQ-E_(XQEAWT-0-7B1-Q40-0H-00001)_81.8467lm@250mA_P=0.765444W_I=250mA



cd/klm

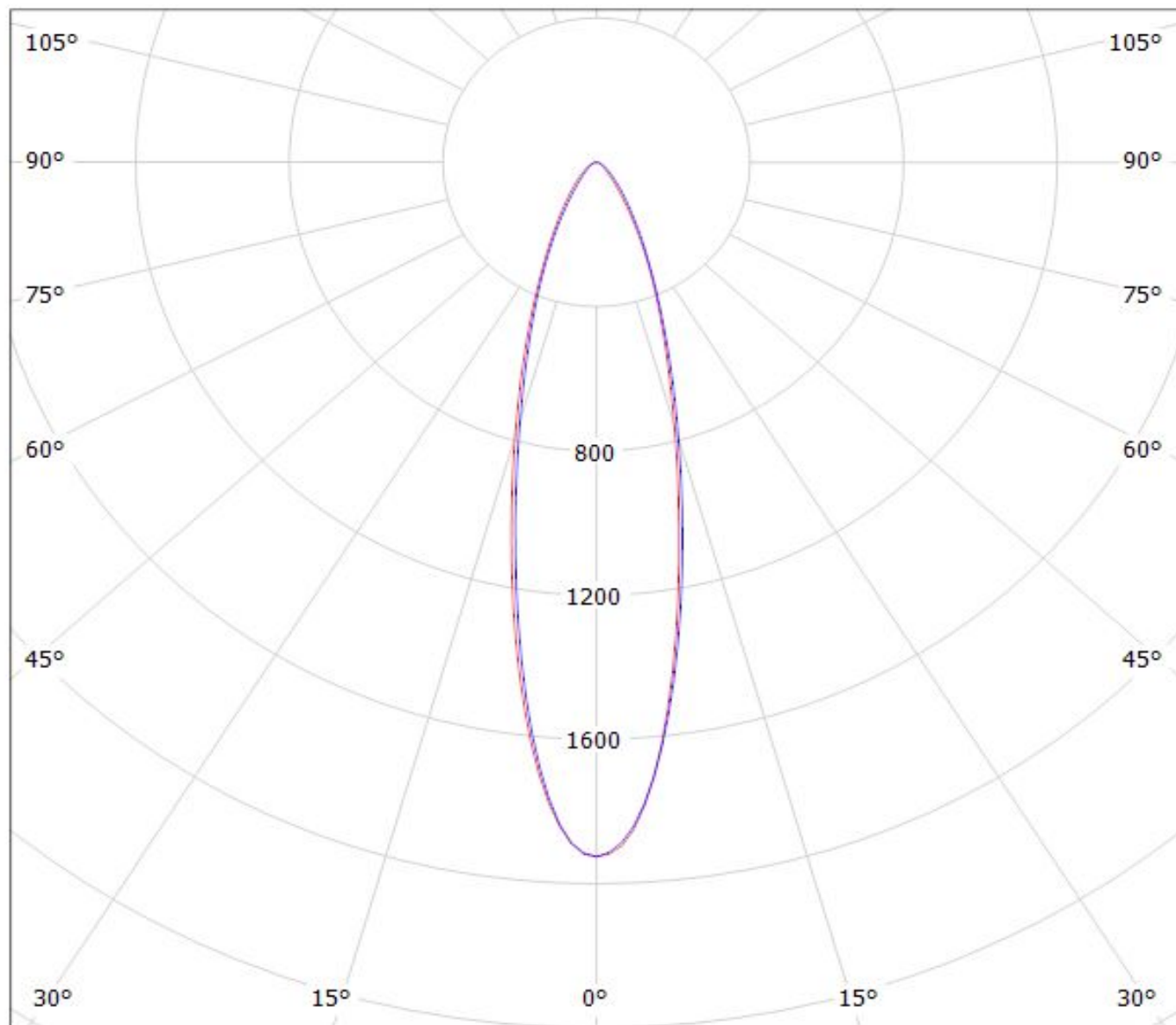
— C0 - C180

— C90 - C270

$\eta = 76\%$

Luminaire: LEDiL Oy CP13666_LARISA-RZ-CLIP16_(Luxeon_Z_ES)

Lamps: 1 x Philips_Lumileds_Luxeon_Z_ES_(LX22-2790)_51.1518lm@250mA_P=0.73718W_I=249.9mA



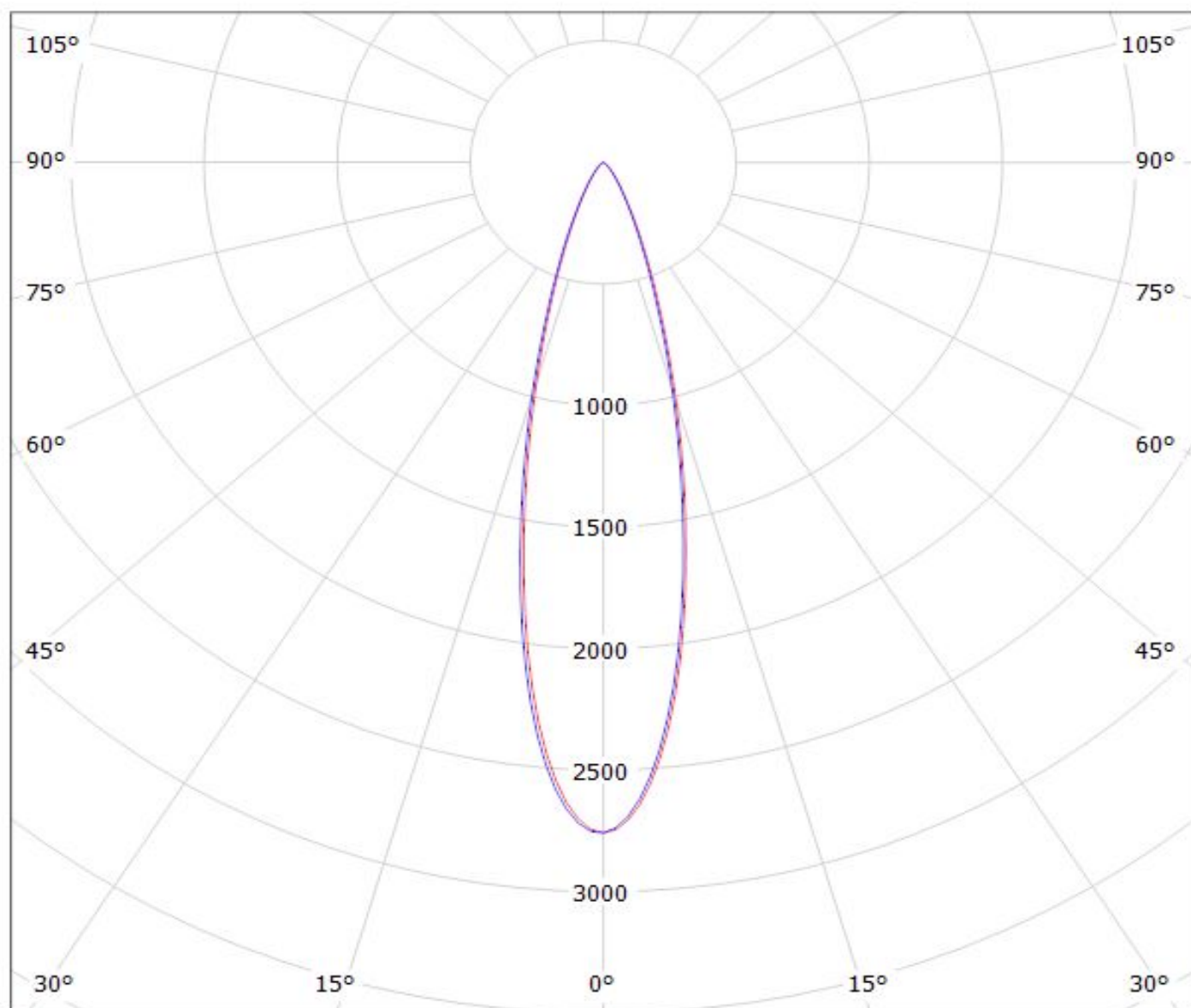
cd/klm

— C0 - C180

— C90 - C270

$\eta = 71\%$

Luminaire: LEDiL Oy
Lamps: 1 x CP15309_LARISA-RZ-PIN_(Luxeon_C)



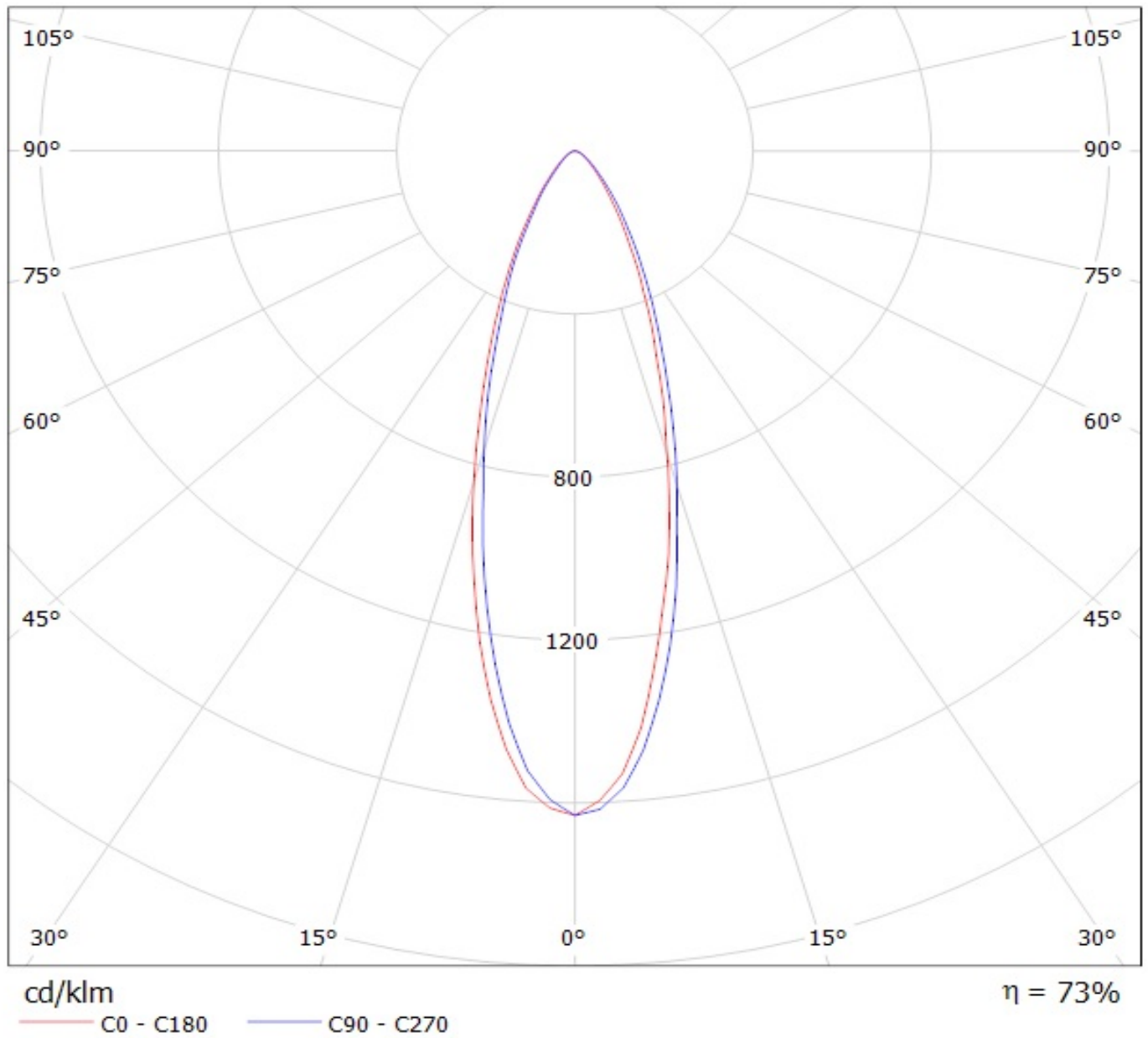
cd/klm

— C0 - C180

— C90 - C270

$\eta = 73\%$

Luminaire: LEDil Oy CP13666_LARISA-RZ-CLIP16_(DURIS_S5) Efficiency=72%
Lamps: 1 x Osram Duris S5 (GW PSLPS1.EC) 102lm @ 150mA CCT=6300K P=1.0W I=150mA



NOTE: The typical divergence will be changed by different color, chip size and chip position tolerance. The typical total divergence is the full angle measured where the luminous intensity is half of the peak value.