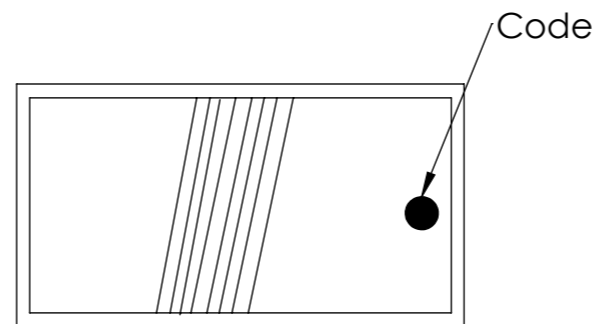
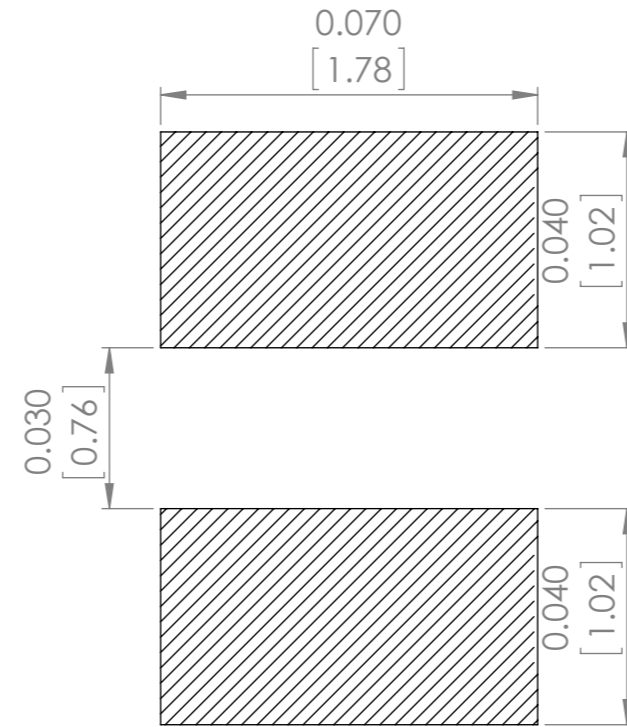
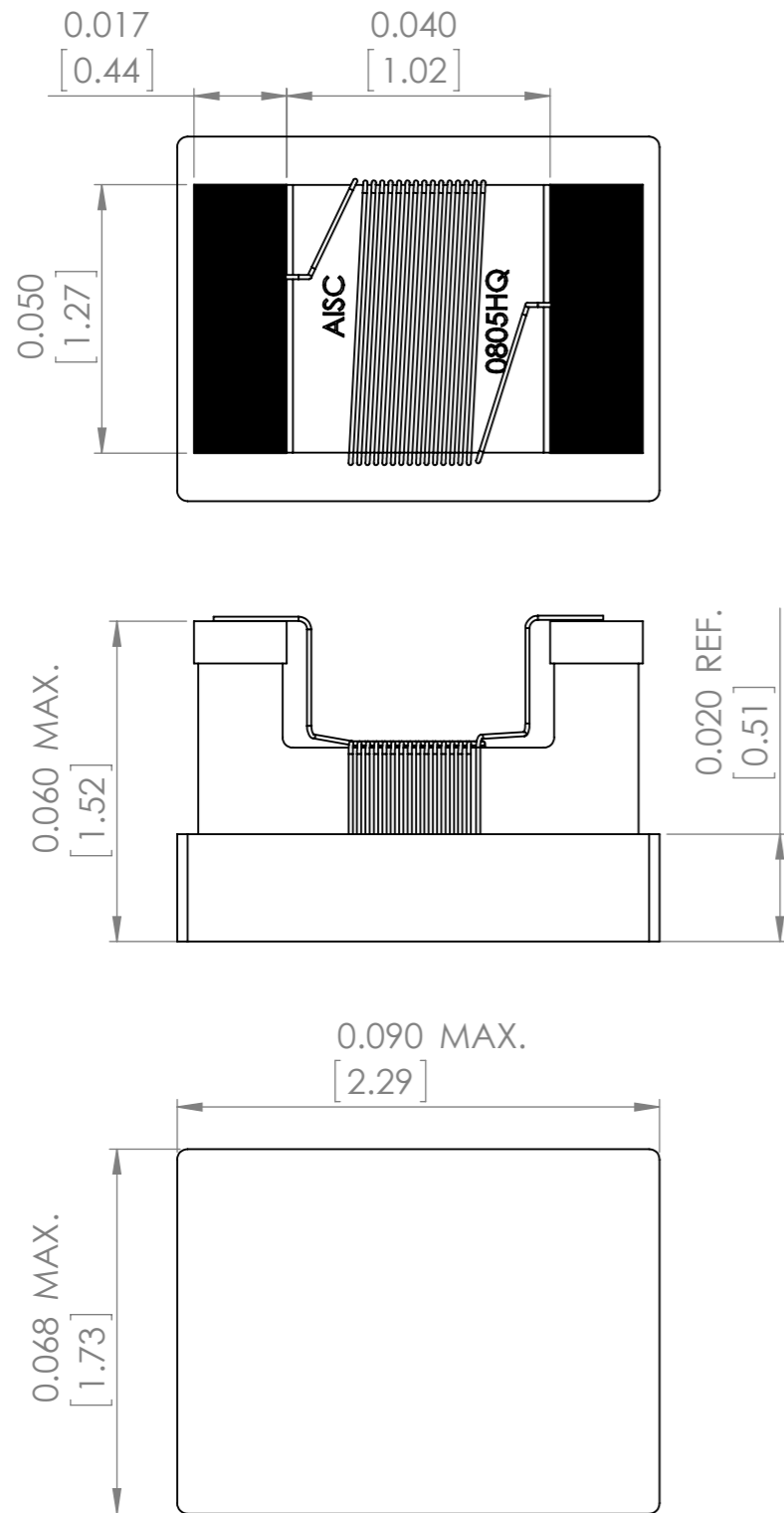
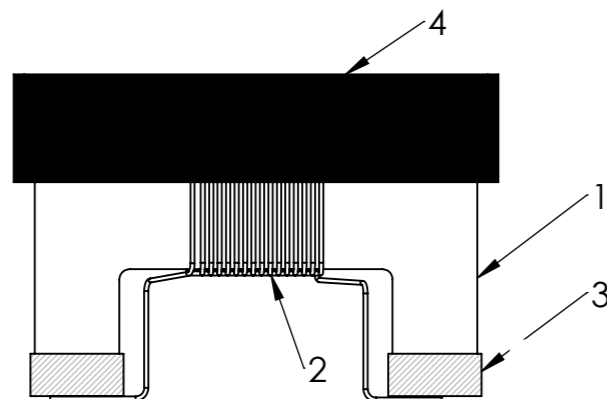
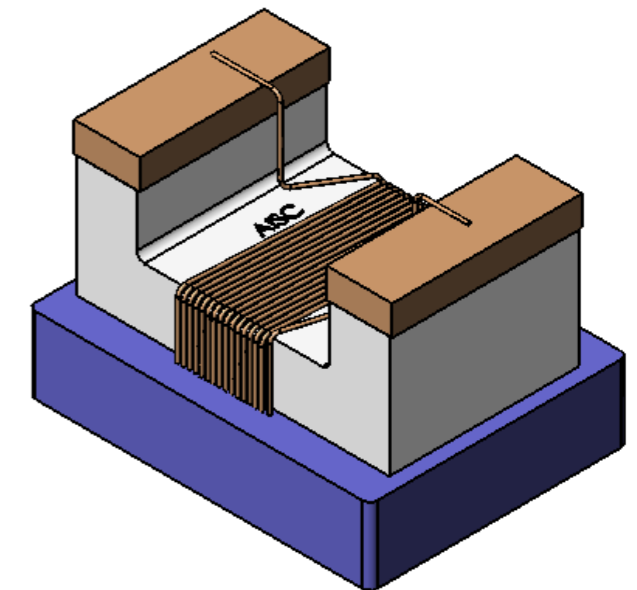
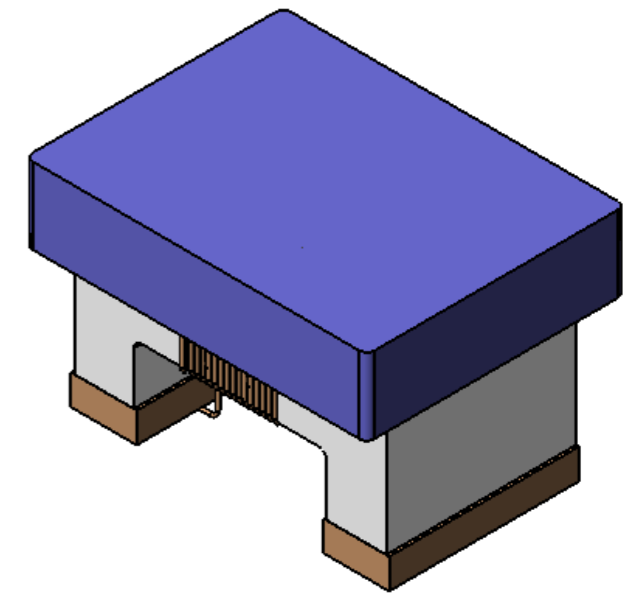



Recommended Land Pattern



Components	Material
1	Ceramic Core
2	Magnet wire
3	Electrode (Ag/Pd+Ni+Sn)
4	UV Glue



UNLESS OTHERWISE SPECIFIED: DIMENSIONS ARE IN INCH(MM) SURFACE FINISH: TOLERANCES: LINEAR: ANGULAR:		FINISH:	DEBUR AND BREAK SHARP EDGES	DO NOT SCALE DRAWING	REVISION -
DRAWN	SAAZVAT	SIGNATURE	DATE	 30332 Esperanza, Rancho Santa margarita, California 92688 TITLE: Wirewound DWG NO. AISC-0805HQ SCALE:28:1	
CHK'D	XXXXXX				
APP'V'D					
MFG					
Q.A				MATERIAL:	A3
				WEIGHT:	SHEET 1 OF 1