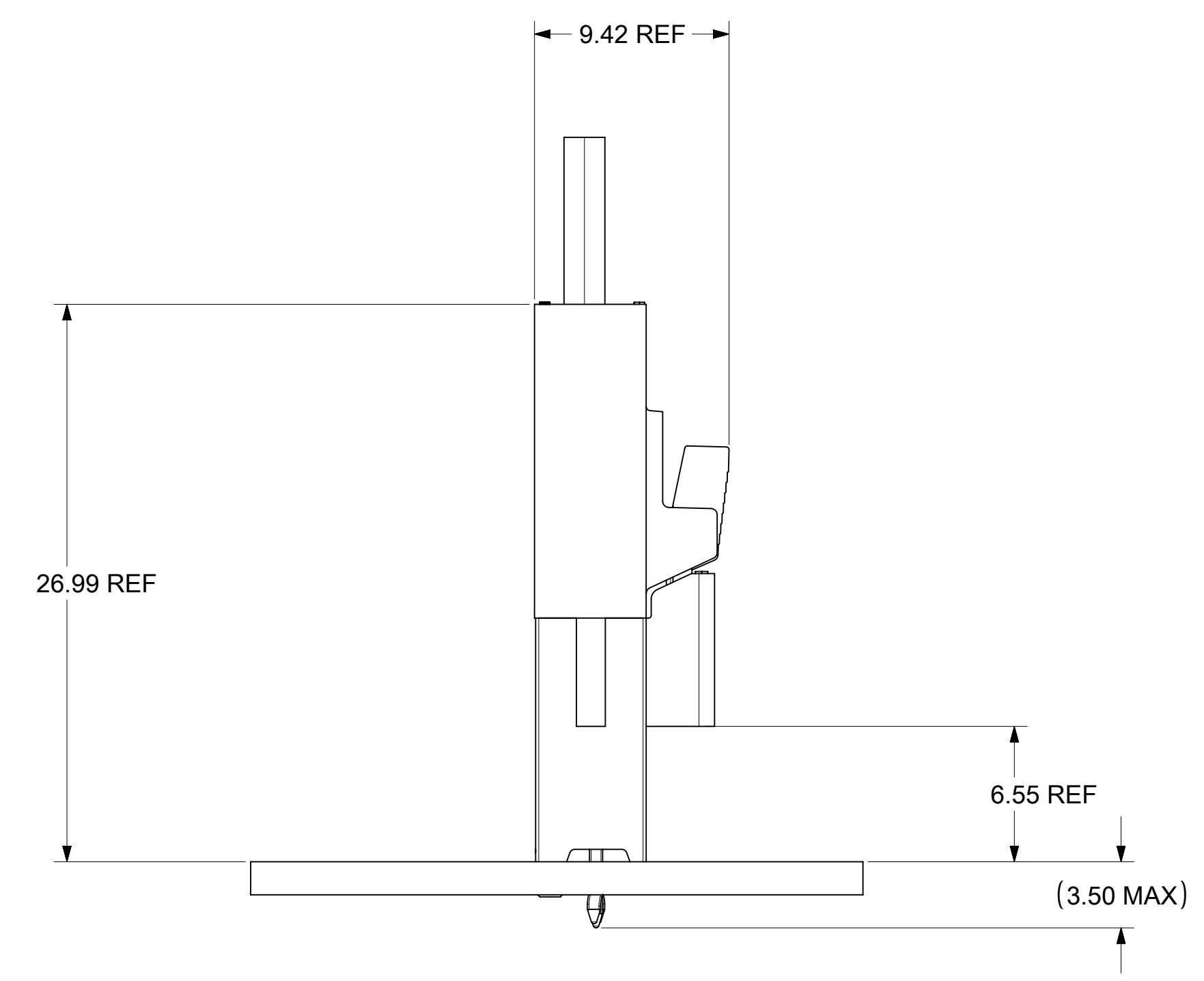
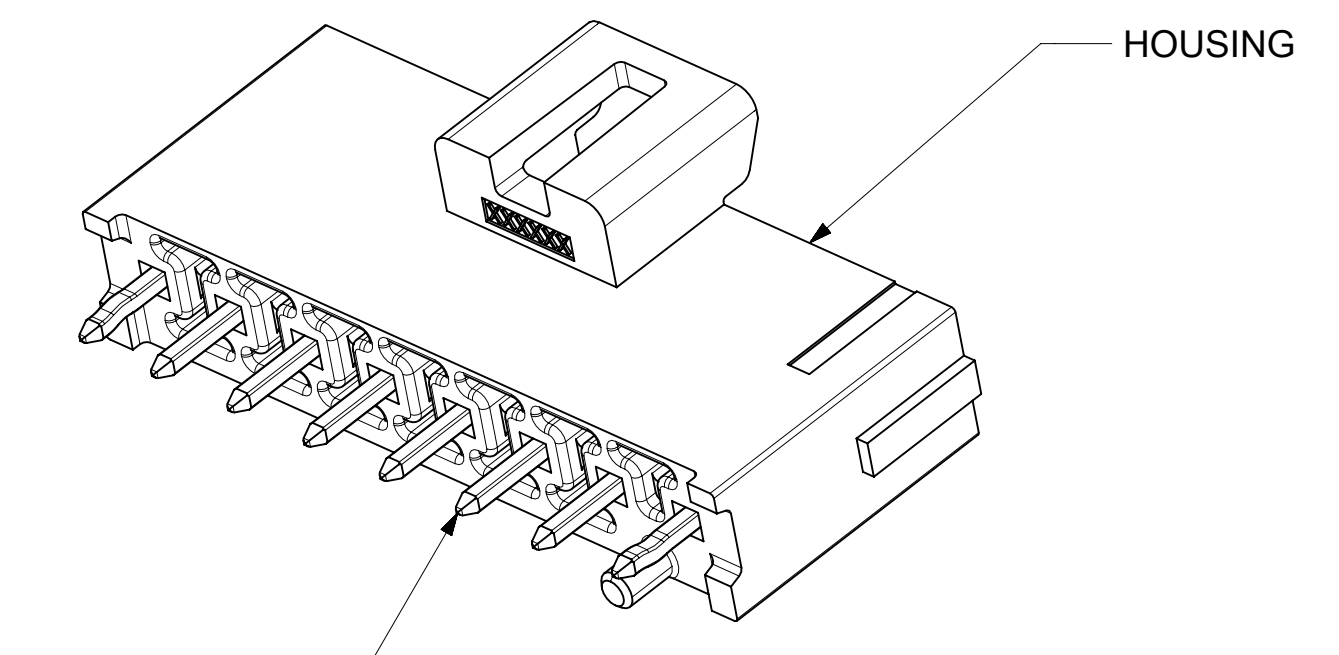
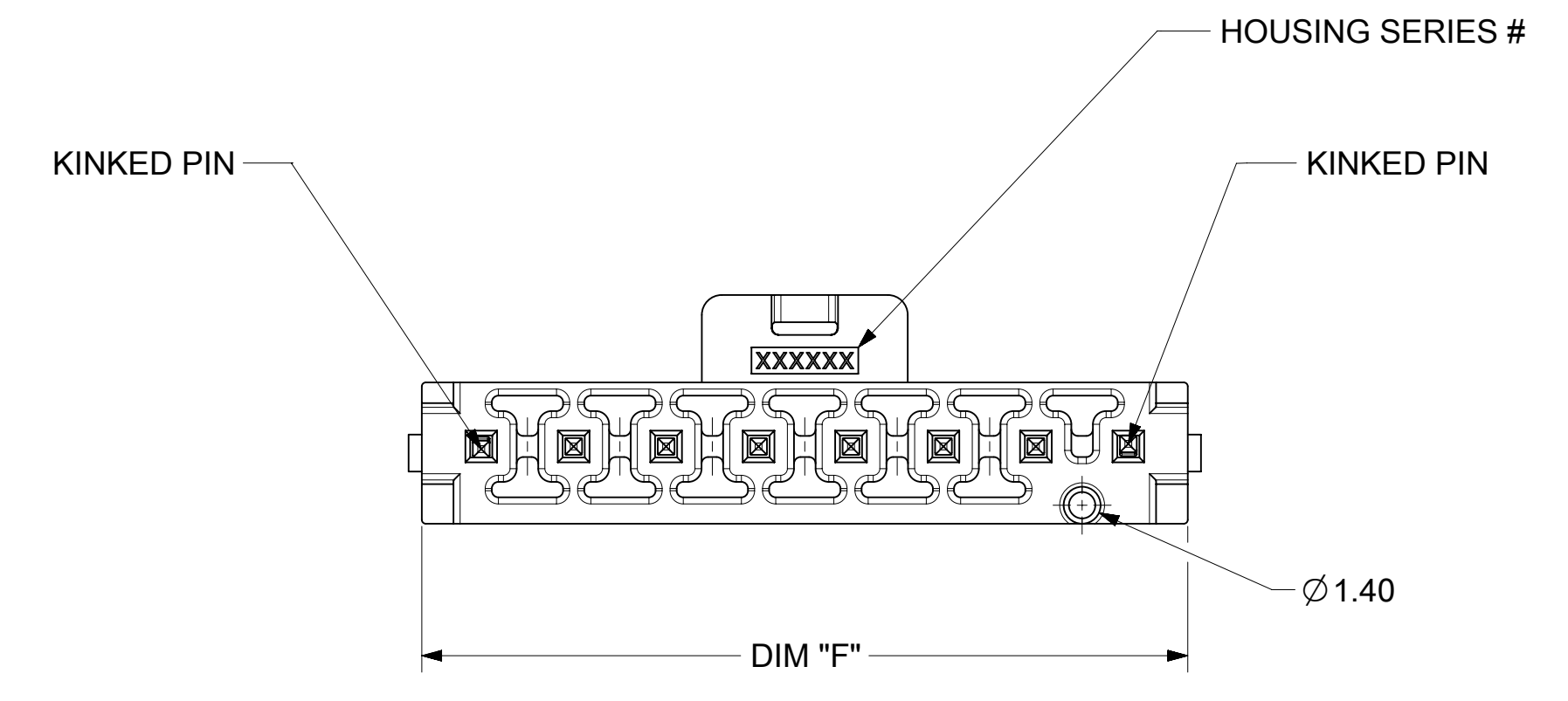


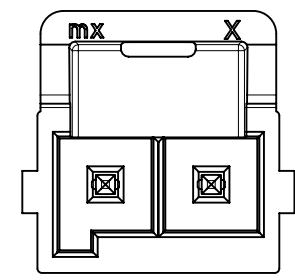
SECTION Y-Y
SCALE 8:1



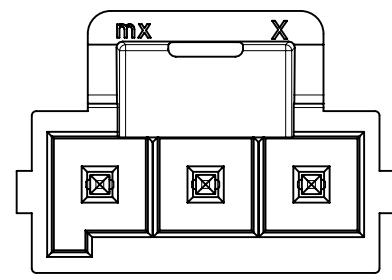
- NOTES:
- MATERIAL :
HOUSING
OPTION 1: LCP BLACK, UL94 V-0
OPTION 2: LCP NATURAL, UL94 V-0
TERMINAL: COPPER ALLOY
 - PLATING FINISH:
OPTION 1 - 1.5µm(60µin)-2.5µm(100µin) TIN OVER
1.25µm(50µin)-2.5µm(100µin) NICKEL OVERALL
OPTION 2 - 0.35µm(15µin) GOLD CONTACT AREA,
1.5µm(60µin)-2.5µm(100µin) TIN TAIL AREA OVER
1.25µm(50µin)-2.5µm(100µin) NICKEL OVERALL
OPTION 3 - 0.70µm(30µin) GOLD CONTACT AREA,
1.5µm(60µin)-2.5µm(100µin) TIN TAIL AREA OVER
1.25µm(50µin)-2.5µm(100µin) NICKEL OVERALL
 - PARTS TO BE PACKAGED PER PK SPEC PK-172287-9001
 - PRODUCT SPECIFICATION PS-172323-0001
 - PART MATES WITH MOLEX RECEPTACLE HOUSING
172256 AND 172260
 - PART CONFORMS TO CLASS "C" REQUIREMENTS OF SPECIFICATION
PS-45499-002 WITH 0.13 MM MAXIMUM FLASH ALLOWED IN CORE
HOLES AND FRONT SURFACE.
 - DISCOLORATION IN THE BANDOLIER AREA OF THE PIN IS
INHERENT TO THE PLATING PROCESS AND IS DUE TO THE MASKING
EFFECT OF THE CARRIER. THIS DISCOLORATION IS IN A NON-FUNCTIONAL
AREA OF THE PIN AND WILL NOT AFFECT THE PERFORMANCE OF THE
HEADER ASSEMBLY.
 - APPLICATION SPECIFICATION AS-172323-0001

| | | | | | | | | | |
|---|--------|------------------------|---------|------------|-----------------|----------------|--------------|--|--|
| THIS DRAWING CONTAINS INFORMATION THAT IS PROPRIETARY TO MOLEX ELECTRONIC TECHNOLOGIES, LLC AND SHOULD NOT BE USED WITHOUT WRITTEN PERMISSION | | | | | | | | | |
| DIMENSION UNITS | SCALE | CURRENT REV DESC: | | | | | | | |
| mm | NTS | | | | | | | | |
| GENERAL TOLERANCES (UNLESS SPECIFIED) | | | | | | | | | |
| ANGULAR TOL | ± ° | | | | | | | | |
| 4 PLACES | ± | | | | | | | | |
| 3 PLACES | ± | | | | | | | | |
| 2 PLACES | ± 0.25 | | | | | | | | |
| 1 PLACE | ± 0.5 | | | | | | | | |
| 0 PLACES | ± | | | | | | | | |
| DRAFT WHERE APPLICABLE MUST REMAIN WITHIN DIMENSIONS | | THIRD ANGLE PROJECTION | DRAWING | SERIES | MATERIAL NUMBER | CUSTOMER | SHEET NUMBER | | |
| | | | D-SIZE | 172286 | SEE TABLE | GENERAL MARKET | 1 OF 2 | | |
| | | EC NO: 717248 | | 2022/08/10 | | | | | |
| | | DRWN: LEOW | | 2022/08/15 | | | | | |
| | | CHK'D: XQZHANG | | 2022/08/15 | | | | | |
| | | APPR: XQZHANG | | 2022/08/15 | | | | | |
| | | INITIAL REVISION: | | 2014/03/04 | | | | | |
| | | DRWN: DROSCA | | 2014/04/24 | | | | | |
| | | APPR: JCOMERCI | | 2014/04/24 | | | | | |
| | | | | | | | | | |
| | | | | | | | | | |
| | | | | | | | | | |
| | | | | | | | | | |

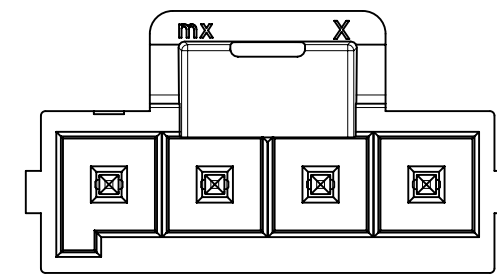
| | | | | |
|-----------------|----|--------------|------------|----------|
| DOCUMENT STATUS | P1 | RELEASE DATE | 2022/08/15 | 01:48:47 |
|-----------------|----|--------------|------------|----------|



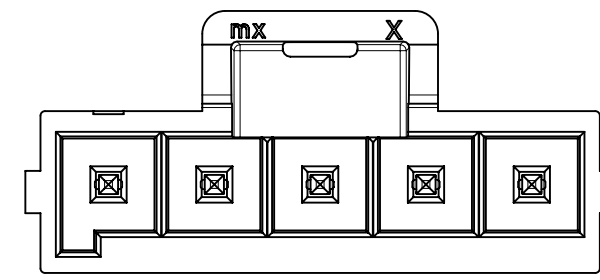
2 CKT



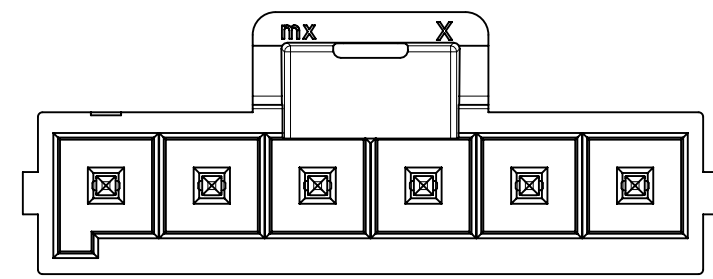
3 CKT



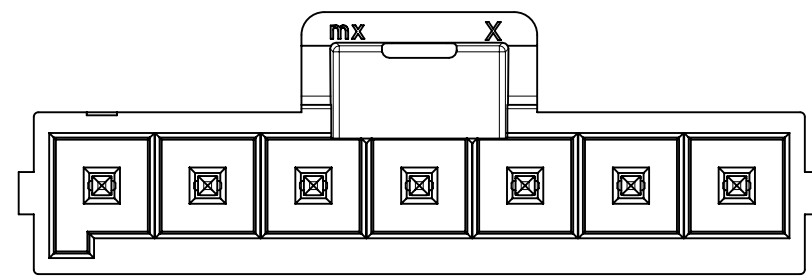
4 CKT



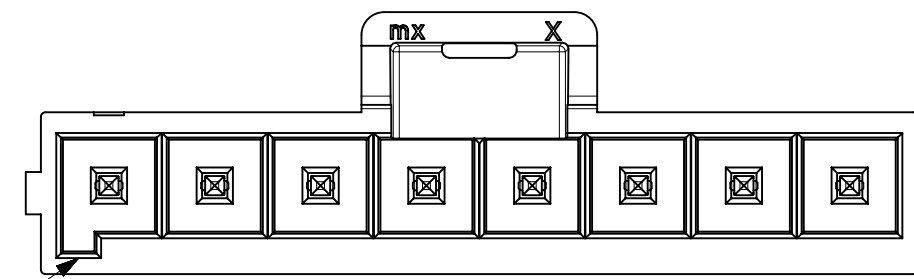
5 CKT



6 CKT



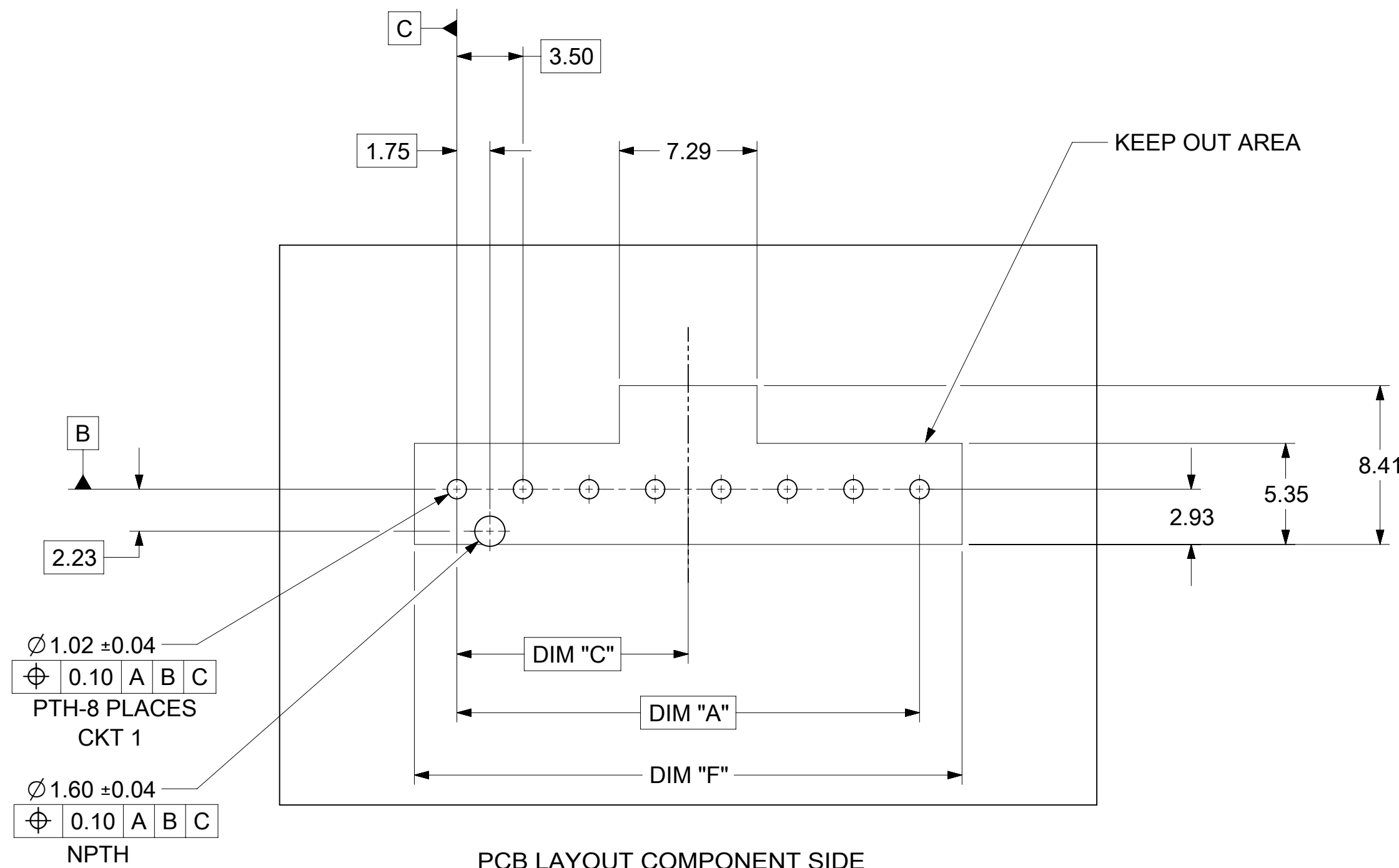
7 CKT



8 CKT

KEY A
(BLACK)

KEY B
(NATURAL)



NOTE: DATUM -A- IS ON THE COMPONENT SIDE PCB

| TIN PLATING | | | | | | |
|-------------|---------|--------------|------------|-------|-------|-------|
| PART NO. | COLOR | CIRCUIT SIZE | KEY OPTION | DIM A | DIM F | DIM C |
| 172286-1102 | BLACK | 2 | KEY A | 3.50 | 8.00 | 1.75 |
| 172286-1103 | BLACK | 3 | KEY A | 7.00 | 11.50 | 3.50 |
| 172286-1104 | BLACK | 4 | KEY A | 10.50 | 15.00 | 5.25 |
| 172286-1105 | BLACK | 5 | KEY A | 14.00 | 18.50 | 7.00 |
| 172286-1106 | BLACK | 6 | KEY A | 17.50 | 22.00 | 8.75 |
| 172286-1107 | BLACK | 7 | KEY A | 21.00 | 25.50 | 10.50 |
| 172286-1108 | BLACK | 8 | KEY A | 24.50 | 29.00 | 12.25 |
| 172286-2102 | NATURAL | 2 | KEY B | 3.50 | 8.00 | 1.75 |
| 172286-2103 | NATURAL | 3 | KEY B | 7.00 | 11.50 | 3.50 |
| 172286-2104 | NATURAL | 4 | KEY B | 10.50 | 15.00 | 5.25 |
| 172286-2105 | NATURAL | 5 | KEY B | 14.00 | 18.50 | 7.00 |
| 172286-2106 | NATURAL | 6 | KEY B | 17.50 | 22.00 | 8.75 |
| 172286-2107 | NATURAL | 7 | KEY B | 21.00 | 25.50 | 10.50 |
| 172286-2108 | NATURAL | 8 | KEY B | 24.50 | 29.00 | 12.25 |

| 15 MICROINCH GOLD PLATING | | | | | | |
|---------------------------|---------|--------------|------------|-------|-------|-------|
| PART NO. | COLOR | CIRCUIT SIZE | KEY OPTION | DIM A | DIM F | DIM C |
| 172286-1202 | BLACK | 2 | KEY A | 3.50 | 8.00 | 1.75 |
| 172286-1203 | BLACK | 3 | KEY A | 7.00 | 11.50 | 3.50 |
| 172286-1204 | BLACK | 4 | KEY A | 10.50 | 15.00 | 5.25 |
| 172286-1205 | BLACK | 5 | KEY A | 14.00 | 18.50 | 7.00 |
| 172286-1206 | BLACK | 6 | KEY A | 17.50 | 22.00 | 8.75 |
| 172286-1207 | BLACK | 7 | KEY A | 21.00 | 25.50 | 10.50 |
| 172286-1208 | BLACK | 8 | KEY A | 24.50 | 29.00 | 12.25 |
| 172286-2202 | NATURAL | 2 | KEY B | 3.50 | 8.00 | 1.75 |
| 172286-2203 | NATURAL | 3 | KEY B | 7.00 | 11.50 | 3.50 |
| 172286-2204 | NATURAL | 4 | KEY B | 10.50 | 15.00 | 5.25 |
| 172286-2205 | NATURAL | 5 | KEY B | 14.00 | 18.50 | 7.00 |
| 172286-2206 | NATURAL | 6 | KEY B | 17.50 | 22.00 | 8.75 |
| 172286-2207 | NATURAL | 7 | KEY B | 21.00 | 25.50 | 10.50 |
| 172286-2208 | NATURAL | 8 | KEY B | 24.50 | 29.00 | 12.25 |

| 30 MICROINCH GOLD PLATING | | | | | | |
|---------------------------|---------|--------------|------------|-------|-------|-------|
| PART NO. | COLOR | CIRCUIT SIZE | KEY OPTION | DIM A | DIM F | DIM C |
| 172286-1302 | BLACK | 2 | KEY A | 3.50 | 8.00 | 1.75 |
| 172286-1303 | BLACK | 3 | KEY A | 7.00 | 11.50 | 3.50 |
| 172286-1304 | BLACK | 4 | KEY A | 10.50 | 15.00 | 5.25 |
| 172286-1305 | BLACK | 5 | KEY A | 14.00 | 18.50 | 7.00 |
| 172286-1306 | BLACK | 6 | KEY A | 17.50 | 22.00 | 8.75 |
| 172286-1307 | BLACK | 7 | KEY A | 21.00 | 25.50 | 10.50 |
| 172286-1308 | BLACK | 8 | KEY A | 24.50 | 29.00 | 12.25 |
| 172286-2302 | NATURAL | 2 | KEY B | 3.50 | 8.00 | 1.75 |
| 172286-2303 | NATURAL | 3 | KEY B | 7.00 | 11.50 | 3.50 |
| 172286-2304 | NATURAL | 4 | KEY B | 10.50 | 15.00 | 5.25 |
| 172286-2305 | NATURAL | 5 | KEY B | 14.00 | 18.50 | 7.00 |
| 172286-2306 | NATURAL | 6 | KEY B | 17.50 | 22.00 | 8.75 |
| 172286-2307 | NATURAL | 7 | KEY B | 21.00 | 25.50 | 10.50 |
| 172286-2308 | NATURAL | 8 | KEY B | 24.50 | 29.00 | 12.25 |

THIS DRAWING CONTAINS INFORMATION THAT IS PROPRIETARY TO MOLEX ELECTRONIC TECHNOLOGIES, LLC AND SHOULD NOT BE USED WITHOUT WRITTEN PERMISSION

| | | | |
|--|--------|------------------------|----------------|
| DIMENSION UNITS | SCALE | CURRENT REV DESC: | |
| mm | NTS | | |
| GENERAL TOLERANCES (UNLESS SPECIFIED) | | EC NO: 717248 | |
| ANGULAR TOL | ± ° | DRWN: LEOW | 2022/08/10 |
| 4 PLACES | ± | CHK'D: XQZHANG | 2022/08/15 |
| 3 PLACES | ± | APPR: XQZHANG | 2022/08/15 |
| 2 PLACES | ± 0.25 | INITIAL REVISION: | |
| 1 PLACE | ± 0.5 | DRWN: DROSCA | 2014/03/04 |
| 0 PLACES | ± | APPR: JCOMERCI | 2014/04/24 |
| DRAFT WHERE APPLICABLE MUST REMAIN WITHIN DIMENSIONS | | THIRD ANGLE PROJECTION | DRAWING SERIES |
| | | | D-SIZE 172286 |

ULTRA-FIT VERT HEADER
2-8 CKTS SINGLE ROW WITH KINKED PINS

PRODUCT CUSTOMER DRAWING

| | | | |
|-----------------|----------|----------|----------|
| DOCUMENT NUMBER | DOC TYPE | DOC PART | REVISION |
| SD-172286-1000 | PSD | 000 | B6 |

MATERIAL NUMBER: SEE TABLE CUSTOMER: GENERAL MARKET SHEET NUMBER: 2 OF 2