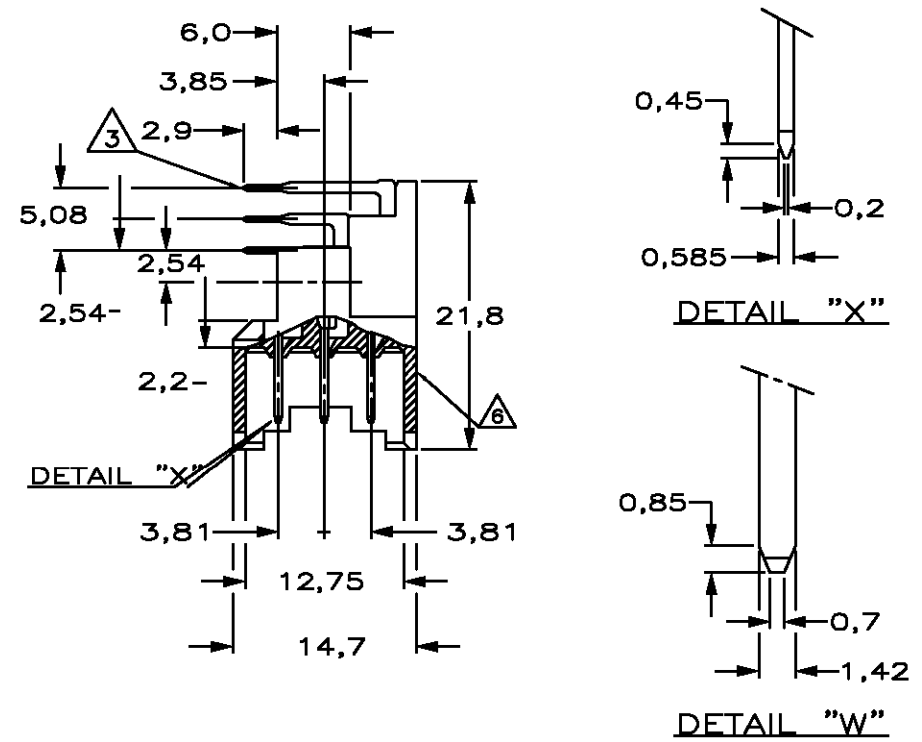
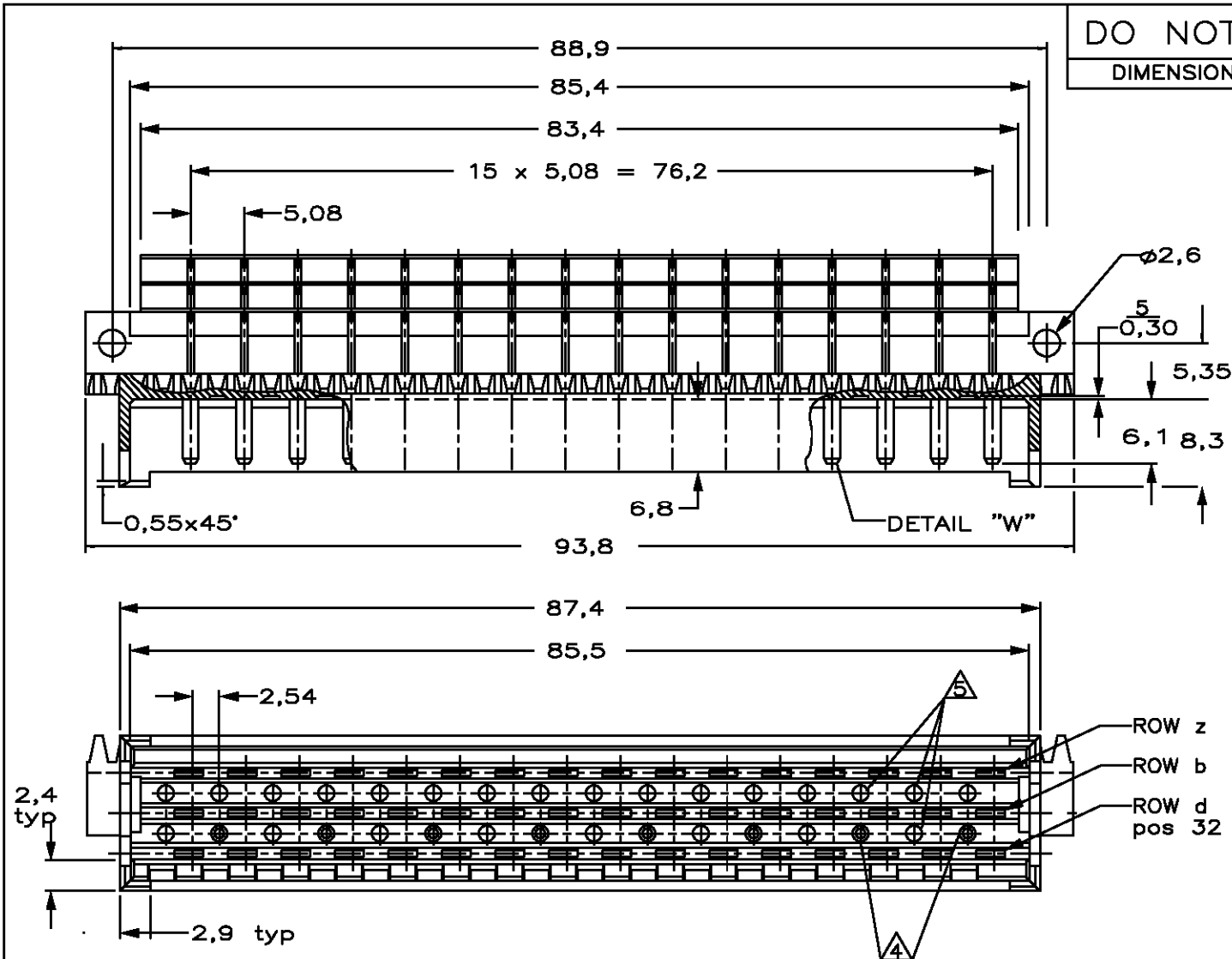


DO NOT SCALE  
DIMENSIONS IN mm

METRIC



POS. NO	2	4	6	8	10	12	14	16	18	20	22	24	26	28	30	32
F 48 ROW N	X	X	X	X	X	X	X	X	X	X	X	X	X	X	X	X
D	X	X	X	X	X	X	X	X	X	X	X	X	X	X	X	X
U	X	X	X	X	X	X	X	X	X	X	X	X	X	X	X	X

AN ASTERISK „X” DENOTES A STANDARD CONTACT.

NOTES

- 1 MATERIAL:  
-HOUSING: THERMOPLASTIC POLYESTER, COLOR GREY.  
-CONTACTS: BRASS.
- 2 PLATING CONTACT: 1,25 μm Au OVER 1,25 μm Ni IN CONTACT AREA.  
Sn/Pb over 1,25 μm Ni ON SOLDER POST.
- 3 SOLDER POSTS SUITABLE FOR P.C.B. HOLES  
0,8±0,05 OR 1,0±0,1 DIA.
- 4 8 HOLES SUITABLE FOR KEYING PIN PN. 215916-1.
- 5 KEYING HOLES TO BE DRILLED BY CUSTOMER.
- 6 PRINTING AT THIS SIDE.

SEE NOTE 2		SEE NOTE 1		106351-1	
FINISH		MATERIAL		PARTNUMBER	
CUSTOMER DRAWING FOR REFERENCE ONLY WILL NOT BE UPDATED					
© COPYRIGHT 19 - BY Tyco Electronics EC N.V. ALL INTERNATIONAL RIGHTS RESERVED. AMP PRODUCTS MAY BE COVERED BY U.S. AND FOREIGN AND/OR PATENTS PENDING. THIS DRAWING IS UNPUBLISHED RELEASED FOR PUBLICATION .19					
AMP				Tyco Electronics Belgium EC N.V. Oostkamp	
A	SR10-0015-01	BC	BC	11-01-01	NAME 48 POS. DIN 41612 F MALE 90° SOLDER CONNECTION
O	H-9853	R.v.L	J.v.G	25.05.93	
LTR.	REVISION RECORD	DR.	CHK.	DATE	
DR.:	R.V.LOKVEN	CHK.:	J.V.GRUNSVEN	APP.:	L.V.SOET
DATE:	25.05.93	DATE:	25.05.93	DATE:	25.05.93
DWG.No. C-106351		REV.LTR. A		SHEET 1 of 1 A3	