

Zilog, Inc.
1590 Buckeye Drive
Milpitas, CA 95035-7418

August 19, 2014

Subject: ZSBDI46504AA and ZSDA0254P End of Life (EOL)

Dear Valued Customer:

This is to inform you that due to lack of supply, Zilog can no longer offer the ZSBDI46504AA and ZSDA0254P Nicera pyroelectric sensors for Zilog's ZMOTION family. Both sensors will enter immediate obsolescence, with no last time buy opportunity.

The recommended drop-in replacements are as follows:

<u>Current part</u>	<u>Recommended Replacement</u>
ZSBDI46504AA	ZSBG446671 (quad element pyro)
ZSDA0254P	ZSBG323671 (premium dual element pyro)

The following pages summarize the differences between the current and replacement parts. They are very similar in performance, with several key improvements in the replacement parts. Based on Zilog's extensive testing of the replacement pyros, changes to the ZMOTION API settings should not be needed.

Existing orders for the ZSBDI46504AA and ZSDA0254P will be fulfilled with the replacement pyroelectric sensors. Samples for both pyros are available upon request.

Should you have questions regarding this matter or need additional assistance, please contact zservice@zilog.com.

Thank you for your continued interest in Zilog products and services.

Sincerely,



Digitally signed by Users,
Sonia Daley
Date: 2014.08.18 11:09:30
-06'00'

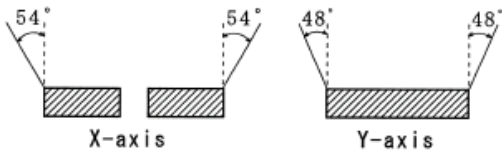
Sonia Daley
sdaley@zilog.com
Director of Quality and Reliability
Zilog-an IXYS Company

Changes/upgrades between the current pyroelectric sensors and the replacement pyros

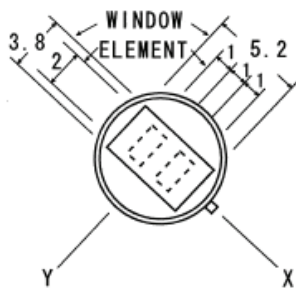
Description	SBDI46-504AA	SBG446-671
Plating	Au	Ni
Rs	47k	470k (47K acceptable)
Internal Filter	None	Rs and 2x Co included as EMI filter
Noise Output	Max. 250mVp-p (140mVp-p Typ.)	Max. 250mVp-p (120mVp-p Typ.)
Cut on (optical)	5.0 +- 0.5 um	5.5 +- 0.5 um
Transmission (optical)	>= 70% avg 7-14 um	>= 70% avg, 8-13 um

Description	SDA02-54P	SBG323-671
Plating	Au	Ni
Sensitive Areas	2.0mm x 1.0mm	2.3mm x 1.0mm
Rs	47k	470k (47K acceptable)
Source Voltage	0.5V – 1.3V	0.35V – 1.4V
Signal Output	2.0Vp-p min (3.2Vp-p typ.)	2.6Vp-p min (4.0Vp-p typ)
Internal Filter	None	Rs and 2x Co included as EMI filter
Noise Output	Max. 160mVp-p (65mVp-p Typ.)	Max. 250mVp-p (90mVp-p Typ.)
Cut on (optical)	6.5 +- 0.5 um	5.5 +- 0.5 um
Transmission (optical)	>= 70% avg 7.5-14 um	>= 70% avg, 8-13 um
Field of View	108° H x 96° V (refer to diagram on next page)	134° H x 120° V (refer to diagram on next page)

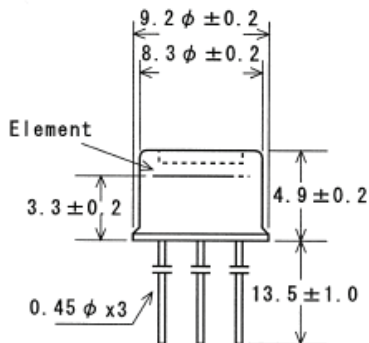
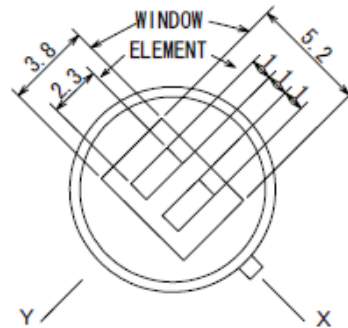
Dimensional drawings of the current pyroelectric sensors and the replacement pyros
ZSDA02-54P (EOL) **SBG323-671 (Replacement)**



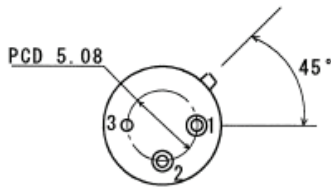
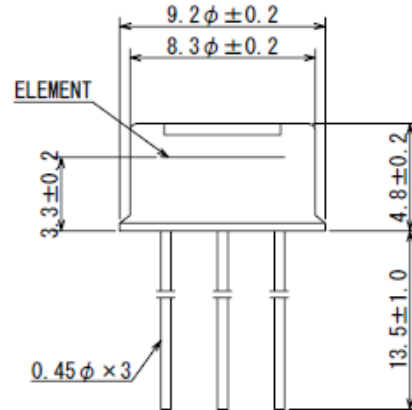
Field of view
(Figure 1-a)



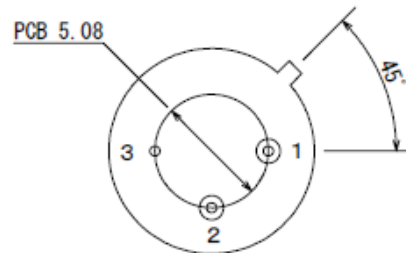
Top view
(Figure 1-b)



Side view
(Figure 1-c)



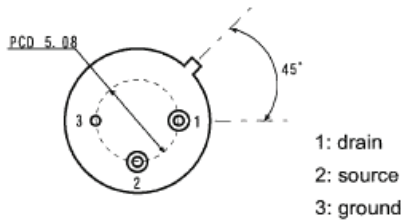
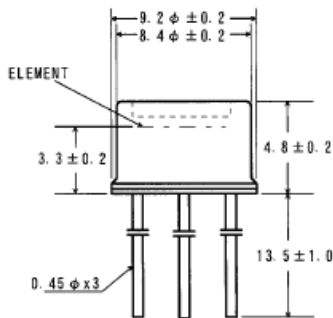
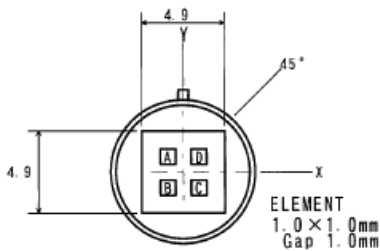
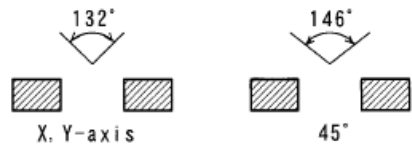
Base view
(Figure 1-d)



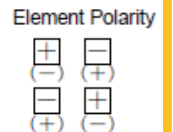
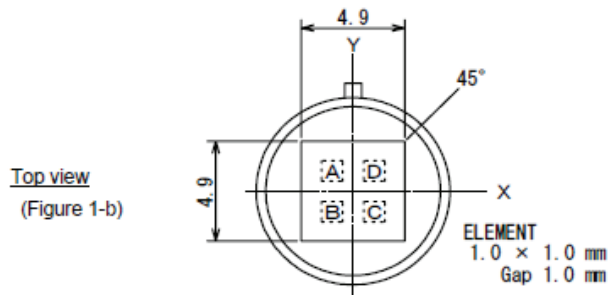
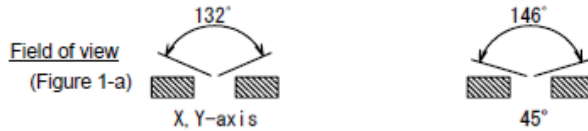
- 1: Drain
 - 2: Source
 - 3: Ground
- unit : mm

Dimensional drawings of the current pyroelectric sensors and the replacement pyros

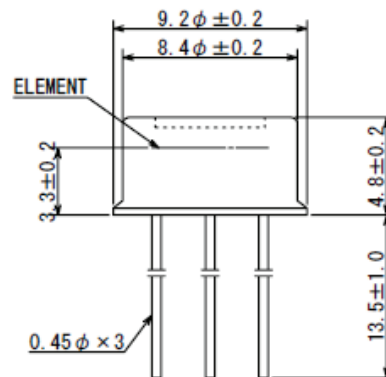
ZSBDI46504AA (EOL)



ZSBG466671 (Replacement)



Side view
 (Figure 1-c)



Base view
 (Figure 1-d)

