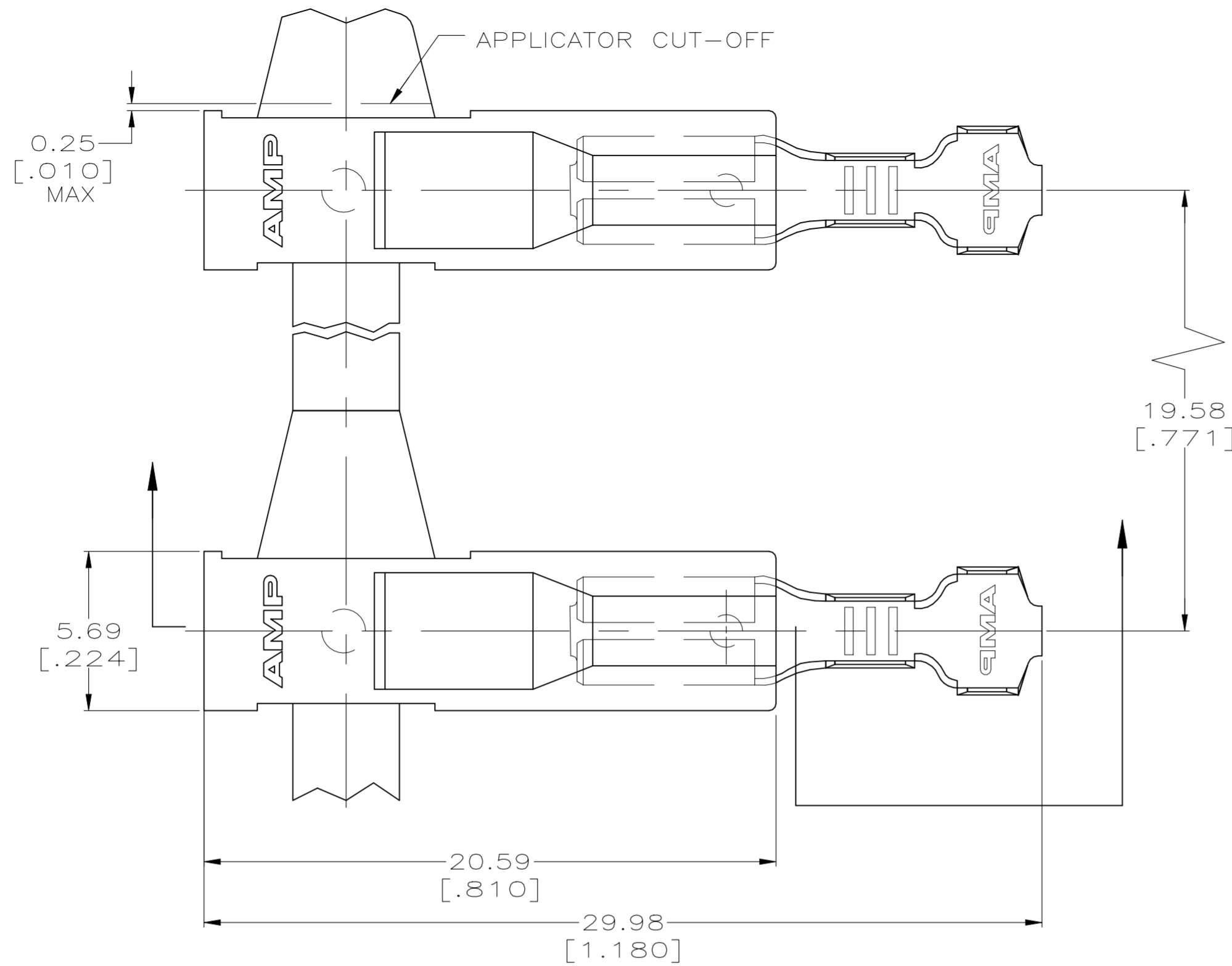
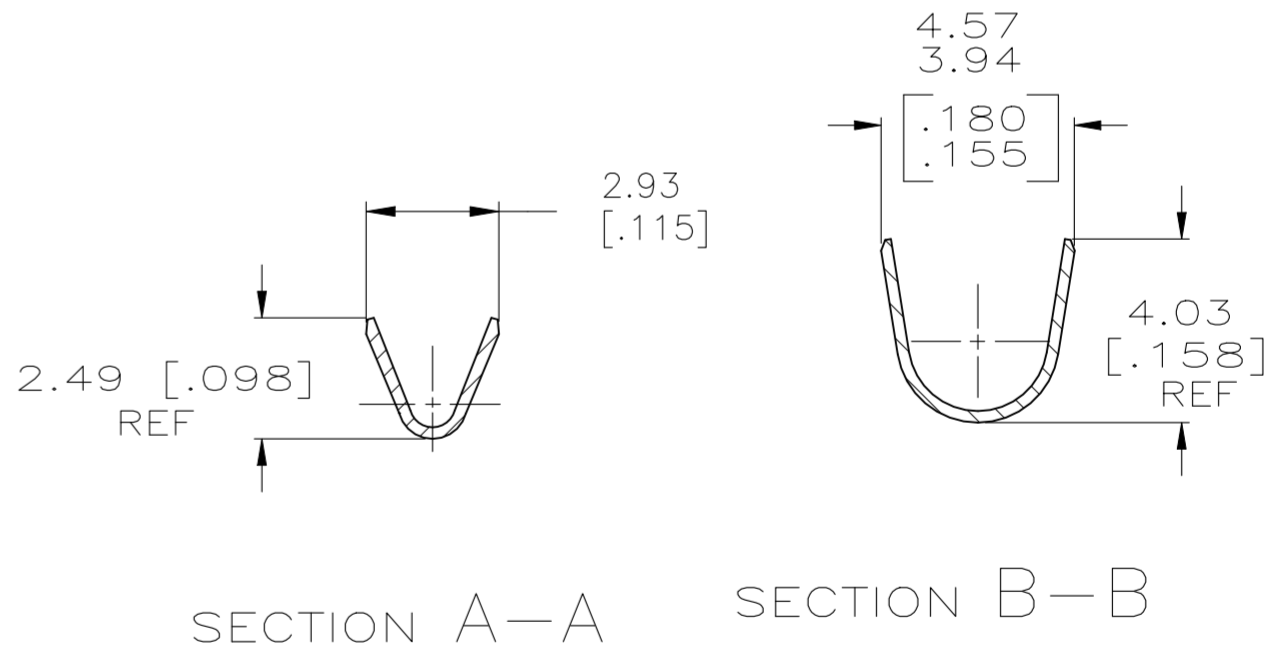
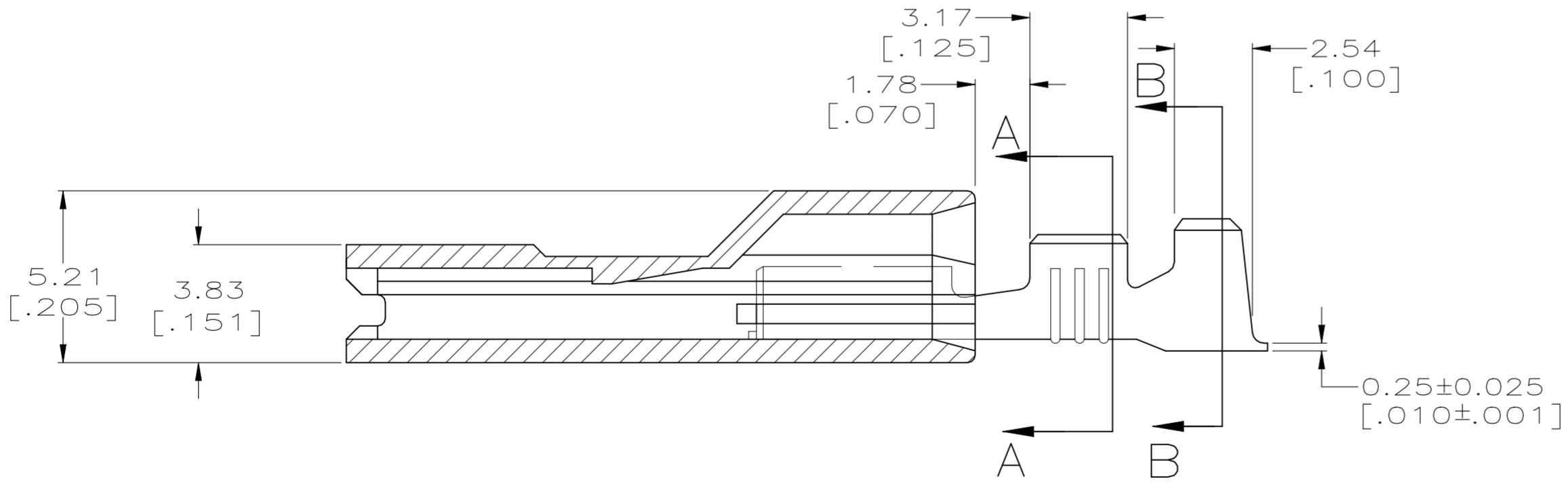


THIS DRAWING IS UNPUBLISHED. RELEASED FOR PUBLICATION  
 © COPYRIGHT - By - ALL RIGHTS RESERVED.

LOC	DIST	REVISIONS					
		P	LTR	DESCRIPTION	DATE	DWN	APVD
AF	50	G		REVISED PER ECR-12-013219	08JAN13	KH	KR
		G1		REVISED PER ECR-22-137162	10AUG22	VA	EMS



- 1 MATING TAB THK IS 0.51±0.025 [.020±.001].
- 2 WIRE SIZE IS [#22-#18] AWG.
- 3 INSULATION RANGE IS 2.03-3.05 [.080-.120] DIA.
- 4 MATERIAL, TERMINAL - BRASS  
HOUSING - 6/6 NYLON
- 5 FINISH, TERMINAL - SEE TABLE  
HOUSING - NATURAL



SUPERSEDED	0.002032 [.000080] MIN TIN	521228-2-
SUPERSEDED		521228-1-
TERMINAL FINISH 5		PART NO.

THIS DRAWING IS A CONTROLLED DOCUMENT.		DWN	JR RUTH	03NOV99	 TE Connectivity	
DIMENSIONS: mm [INCHES]		CHK	MS FEHER	03NOV99		
TOLERANCES UNLESS OTHERWISE SPECIFIED:		APVD	D BRATINA	03NOV99		
0 PLC ± - 1 PLC ± - 2 PLC ± 0.25 [.010] 3 PLC ± - 4 PLC ± - ANGLES ± -		NAME	ASSEMBLY, RECEPTACLE, ULTRA-POD, 2.79 [.110] SERIES			
MATERIAL 4	FINISH 5	PRODUCT SPEC	108-1285		SIZE	A2
		APPLICATION SPEC	114-2124		CAGE CODE	00779
		WEIGHT	-		DRAWING NO	C=521228
		CUSTOMER DRAWING			RESTRICTED TO	-
		SCALE	6:1		SHEET	1 OF 1
		REV	G1			