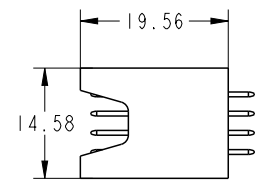
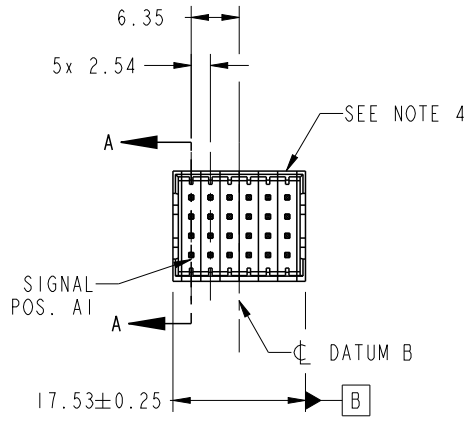
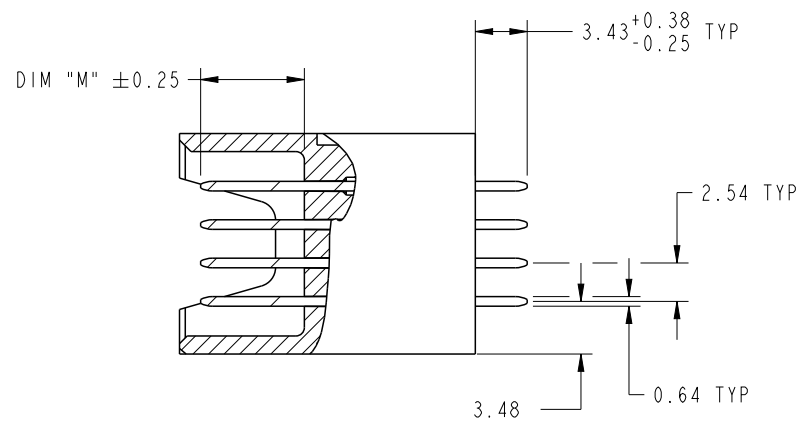


PRODUCT NO.	ROWS	SIGNAL					
		1	2	3	4	5	6
51952-283-- NOTE ③	D C B A	E	E	E	E	E	E
		E	E	E	E	E	E
		E	E	E	E	E	E
		E	E	E	E	E	E



SECTION A-A
SCALE 2:1

CODE	DIM "M" MATING LENGTH	CONTACT TYPE
E	[6.86]	SIGNAL

spec ref	See Notes			dr	Luo Weller	2014/07/14	projection 	MM ←→	size	A4	scale	1:1
tolerance std	TOLERANCES UNLESS OTHERWISE SPECIFIED			eng	Ruan MT	2014/09/03			ecn no	-		
See Notes				chr	-	-			rel level	Released		
surface ✓	linear	0.X	±0.50	FCI	title	24S	product family	PwrBlade	dwg no	51952-283	rev	A
		0.XX	±0.25									
		0.XXX	±0.10									
angular	0°	±2°	www.fci.com	cat. no.	&model_name	Product - Customer Drw	sheet 1 of 3					

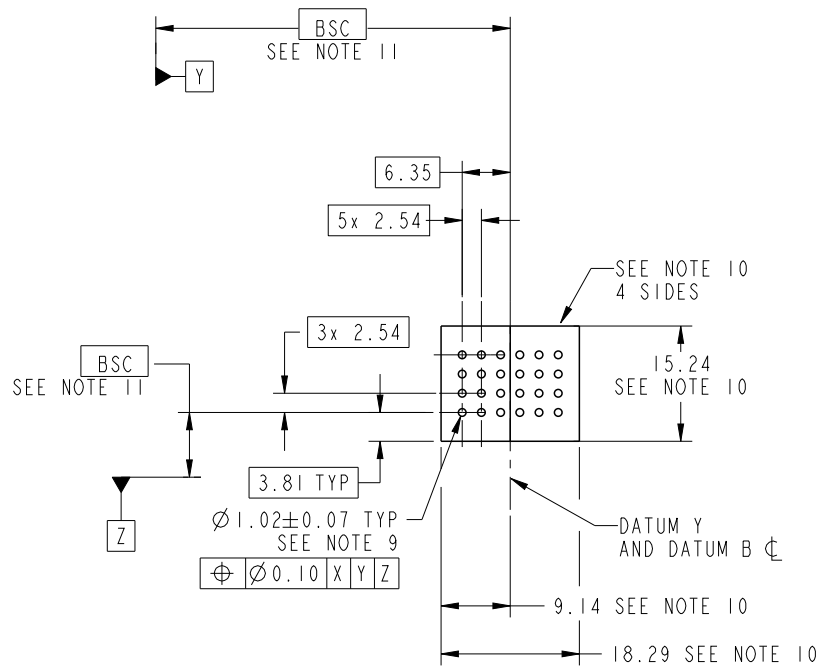


Copyright FCI.

PwrE File - REV C - 2009-06-09

PRODUCT NUMBER

51952-283__
NOTE 3



RECOMMENDED PCB LAYOUT

dr	Luo Weller	2014/07/14	projection 	MM 	size	A4	scale	1:1
eng	Ruan MT	2014/09/03			ecn no	-		
chr	-	-			rel level	Released		
appr	Pei-Ming Zheng	2014/09/03	product family	PwrBlade				
	title	24S VERTICAL SOLDER HEADER		dwg no	51952-283		rev	A
www.fci.com	cat. no.	&model_name	Product - Customer Drw		sheet 2 of 3			

PRODUCT NUMBER

51952-283__
NOTE 3

NOTES:

1. DIMENSIONS AND TOLERANCES ARE IN ACCORDANCE WITH ASME Y14.5M, 1994 UNLESS OTHERWISE SPECIFIED.

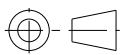
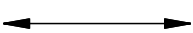

CONNECTOR NOTES:

- ② HOUSING MATERIAL: UL 94 V-0 GLASS FILLED HIGH-TEMP THERMOPLASTIC
POWER CONTACT MATERIAL: COPPER ALLOY
SIGNAL PIN MATERIAL: COPPER ALLOY
 - 3. SEE ITEM 1 & 2 IN PRINT 10064183 FOR PLATING SPEC OF 51952-283 AND 51952-283LF RESPECTIVELY.
 - ④ MANUFACTURER'S NAME, DATE CODE AND OPTIONAL P/N TO APPEAR ON THIS SURFACE. THE MARK CAN BE OMITTED IF THERE IS NOT ENOUGH SPACE ON THIS SURFACE.
 - 5. PRODUCT SPECIFICATION GS-12-149.
APPLICATION SPECIFICATION BUS-20-067.
 - 6. PACKAGED IN TRAYS.
- PCB NOTES:
- 7. ALL HOLE DIAMETERS ARE FINISHED HOLE SIZE.
 - 8. MOUNTING HOLES, WHERE APPLICABLE, ARE UNPLATED.

⑨ $\varnothing 1.151 \pm 0.025$ DRILLED HOLES PLATED WITH 0.008 MIN SnPb OR Sn OVER .001 [0.03] TO 0.08 Cu PLATING TO ACHIEVE $\varnothing 1.02 \pm 0.07$ HOLE.

⑩ CONNECTOR KEEP-OUT ZONE.

⑪ DATUM AND BASIC DIMENSIONS ARE ESTABLISHED BY CUSTOMER.

dr	Luo Weller	2014/07/14	projection 	MM 	size	A4	scale	1:1
eng	Ruan MT	2014/09/03			ecn no	-		
chr	-	-						
appr	Pei-Ming Zheng	2014/09/03	product family	PwrBlade	rel level	Released		
	title	24S VERTICAL SOLDER HEADER		dwg no	51952-283		rev	A
www.fci.com	cat. no.	&model_name	Product - Customer Drw		sheet 3 of 3			



Copyright FCI.