

D

C

B

A

4

4

3

3

2

2

1

1

Lens

Holder

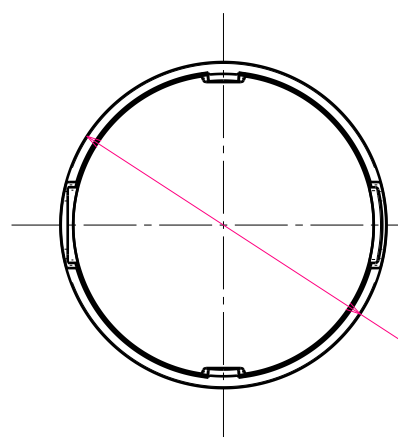
Tape 0,2mm

16.5

Side view

Top view

Ø21.6



MATERIALS
 Lens: PMMA
 Holder: PC
 Tape: PU Foam

Part no.s:
 FA10652_LC1-M
 FA10653_LC1-RS
 FA10654_LC1-REC
 FA10655_LC1-D
 FA11045_LC1-W-Tape
 FA11105_LC1-O-90
 FA11373_LC1-MD-Tape
 FA11449_LC1-M2

This drawing is our property.
 It can't be reproduced
 or communicated without
 our written agreement.



L T F F e i n e i n

DRAWING TITLE
Datasheet Assembly LC1-series

DRAWN BY
 p DATE
 17.01.2011

CHECKED BY
 t k DATE
 25.09.2008

DESIGNED BY
HH DATE
 24.07.2008

SIZE A4 DRAWING NUMBER - REV 1

SCALE 2:1 WEIGHT (g) - SHEET 1/1

D

A