

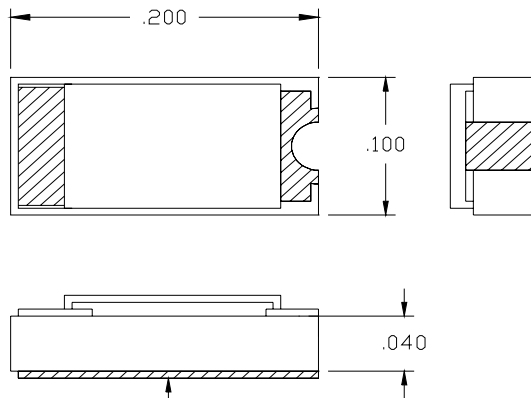
## ALUMINUM NITRIDE CHIP TERMINATION

### Features:

- ◆ Aluminum Nitride Material
- ◆ DC - 2 GHz Performance
- ◆ 30 Watt Input Power
- ◆ Solder Mountable

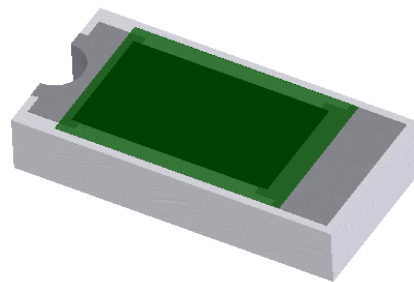
### General Description:

The TVC2010CT-50R0JN-2T-01 is a 50 ohm, Aluminum Nitride chip termination. It has an input power of 30 watts, while maintaining a constant mounting surface temperature of 100°C. It offers a frequency range from DC to 2 GHz.

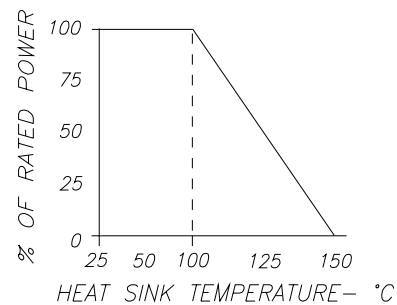


MOUNTING SURFACE  
TO HEAT SINK

Dimensions in inches  
Tolerance  $\pm .010$   
unless otherwise stated



DERATING CURVE:



Parameter	Min.	Typ.	Max.	Units
Frequency Range	DC		2	GHz
Input Return Loss	23			dB
Input Power			30	Watts
Resistance	47.4	50	52.5	Ohms
Mounting Surface Temperature			100	°C

Barry Industries reserves the right to change part number and or process without notification.

Barry Industries, Inc., 60 Walton St., Attleboro, MA 02703 T: 508-226-3350 F: 508-226-3317 E-mail: sales@barryind.com  
Barry Industries maintains an ISO 9001 Certified Quality Management System

Origination Date	Revision Date	Rev.
02/06/04	04/18/08	B