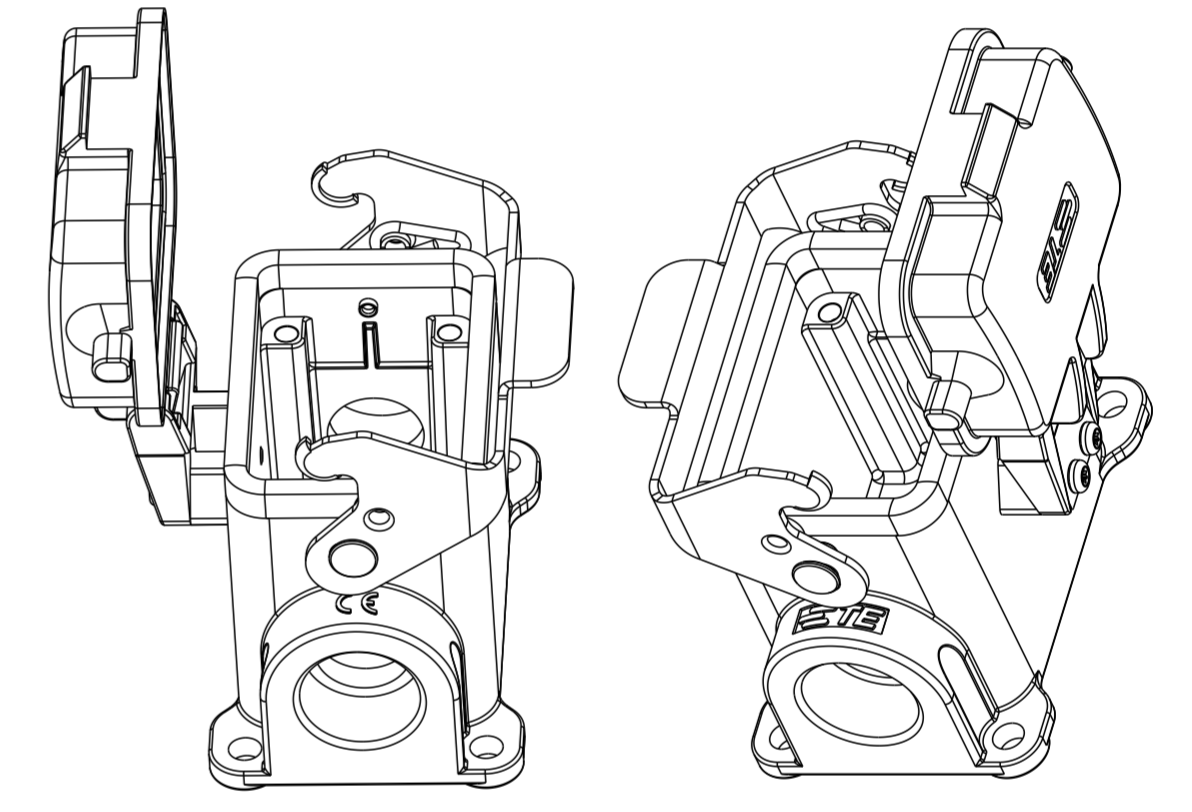
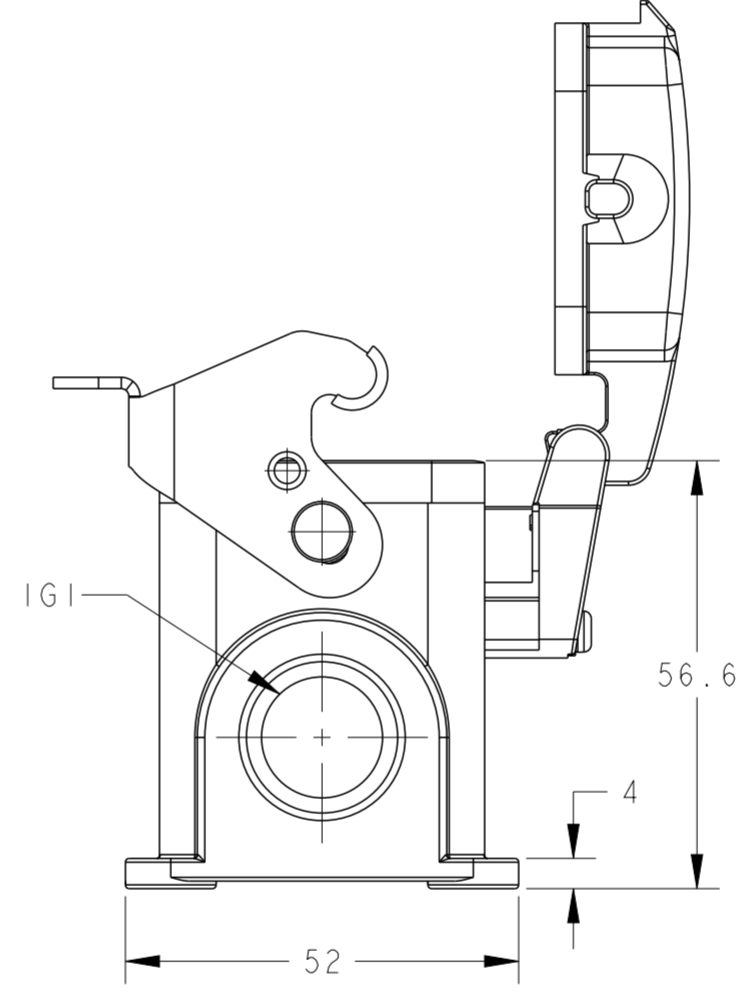
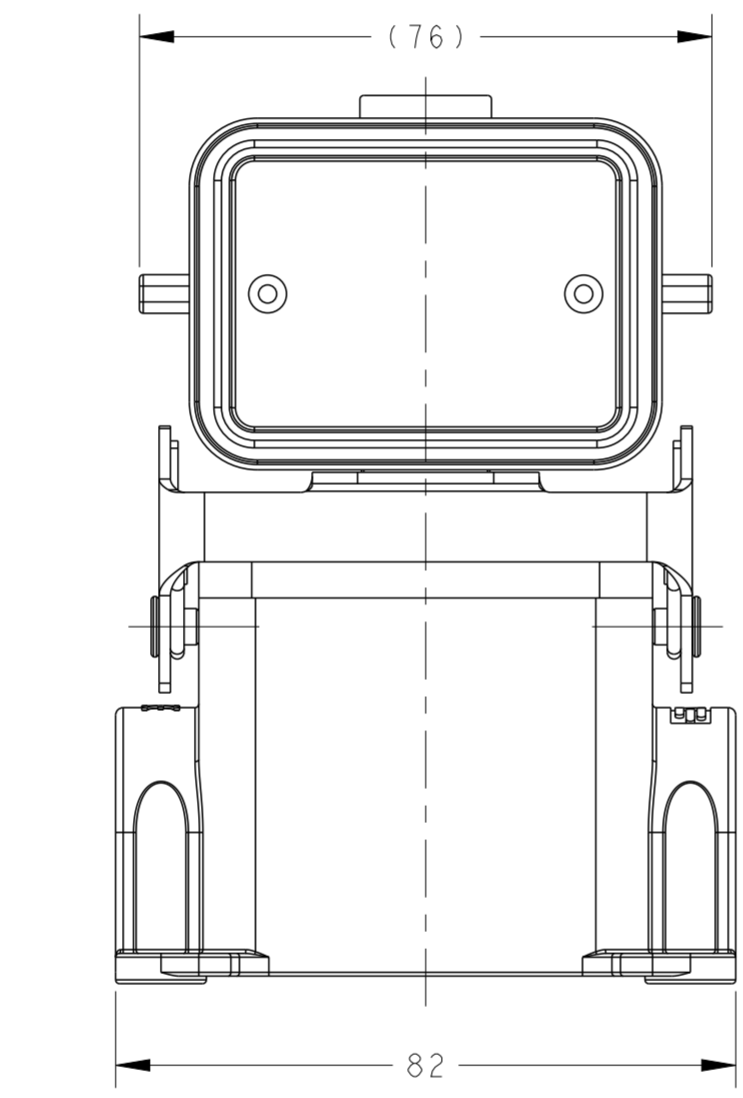
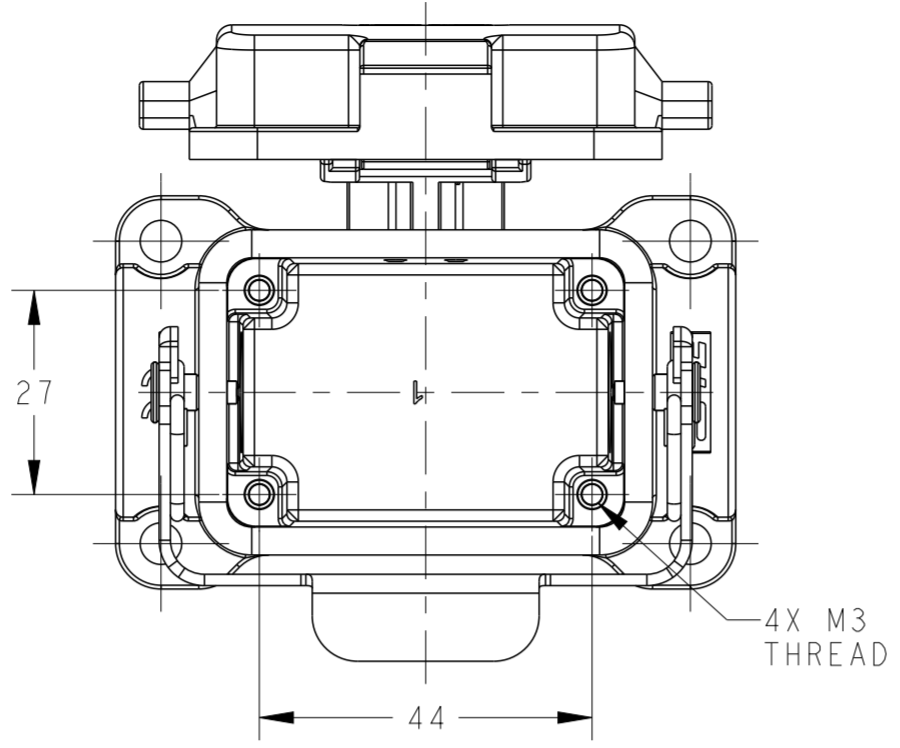


THIS DRAWING IS UNPUBLISHED. RELEASED FOR PUBLICATION 20  
 © COPYRIGHT 20 BY - ALL RIGHTS RESERVED.

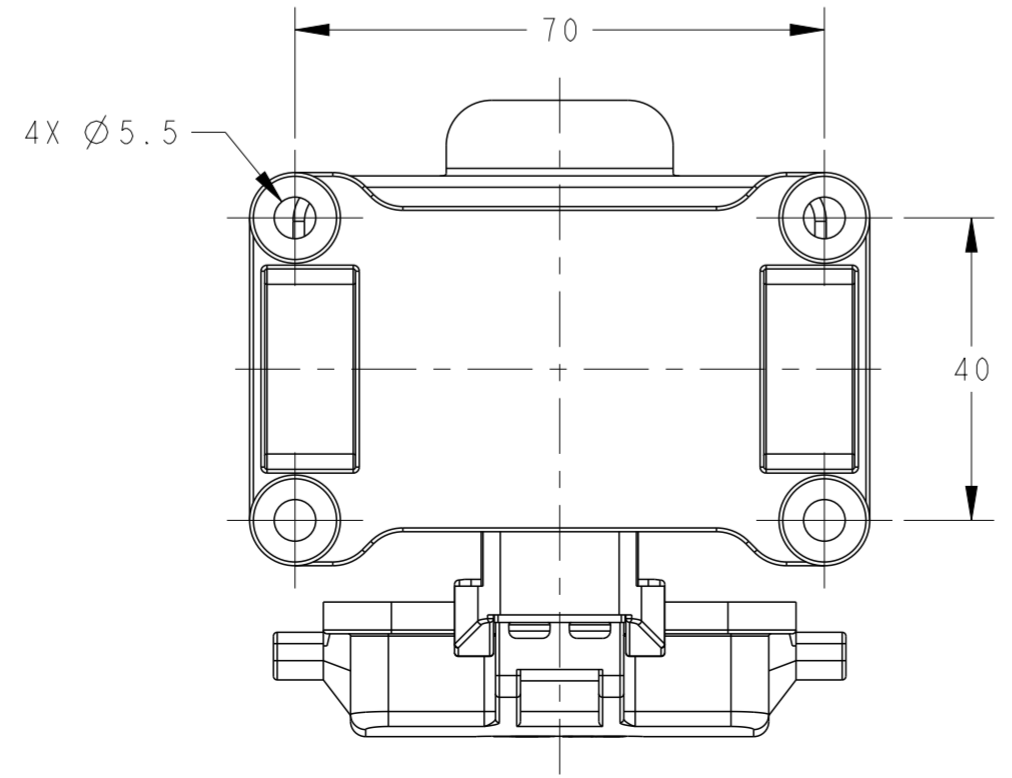
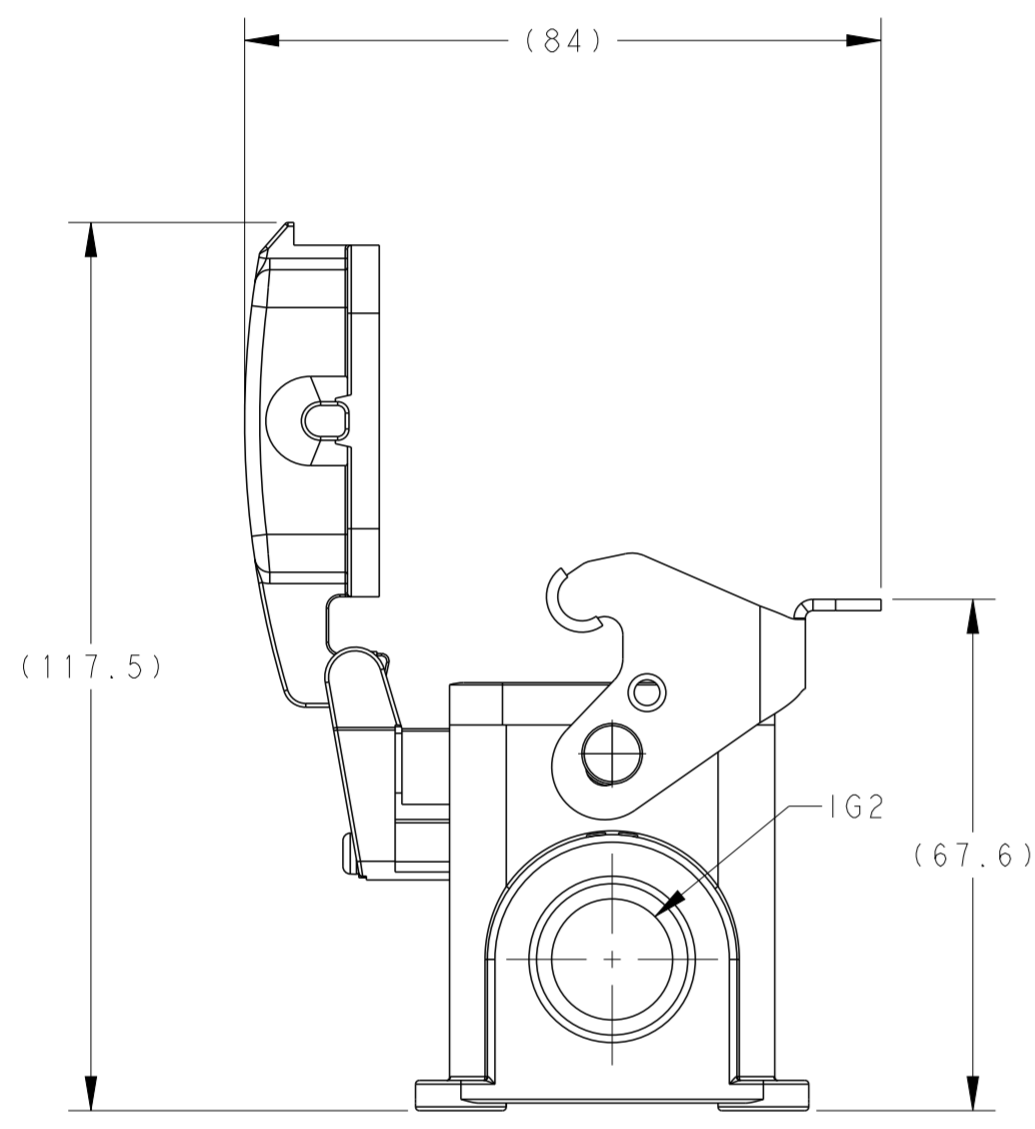
REVISIONS					
P	LTR	DESCRIPTION	DATE	DWN	APVD
A		INITIAL	23JUN2015	DW	CW
A1		ECR-16-007065	16MAY2016	CH	CW
B		ECR-20-007968	15JUN2020	WOR	CW

NOTES:  
 1. TECHNICAL CHARACTERISTICS:  
 HOUSING MATERIAL: DIE CAST ALUMINIUM ALLOY  
 SURFACE: POWDER COATED, GREY  
 DEGREE OF PROTECTION: IP65 (MATED)

注释:  
 1. 技术参数:  
 下壳材料: 铝合金  
 表面处理: 粉末涂层, 灰色  
 防护等级: IP65 (配合)



SCALE 4:5



T1620063116-001	H6B-SDR-PG16	-	PG16
T1620063105-000	H6B-SDR-G1/2	G1/2	-
T1620063113-000	H6B-SDR-PG13.5	PG13.5	-
T1620063116-000	H6B-SDR-PG16	PG16	-
T1620063120-000	H6B-SDR-M20	M20	-
T1620063121-000	H6B-SDR-PG21	PG21	-
T1620063125-000	H6B-SDR-M25	M25	-
T1620061621-000	H6B-SDR-PG16/PG21	PG16	PG21
T1620061625-000	H6B-SDR-PG16/M25	PG16	M25
T1620063216-000	H6B-SDR-2PG16	PG16	PG16
T1620063220-000	H6B-SDR-2M20	M20	M20
T1620063225-000	H6B-SDR-2M25	M25	M25
PART NUMBER	PART DESCRIPTION	IG1	IG2
零件料号	零件描述	螺纹孔1	螺纹孔2

THIS DRAWING IS A CONTROLLED DOCUMENT.

DWN	23JUN2015	DAVID.WANG
CHK	23JUN2015	CHRIS.WANG
APVD	23JUN2015	XIANG.XU
PRODUCT SPEC	108-137013	
APPLICATION SPEC	114-137013	
WEIGHT	-	
MATERIAL	-	

Customer Drawing

SCALE 1:1 SHEET 1 OF 1 REV B

DAVID.WANG  
CHRIS.WANG  
XIANG.XU

NAME H6B-SDR-M/PG

RESTRICTED TO

STE TE Connectivity