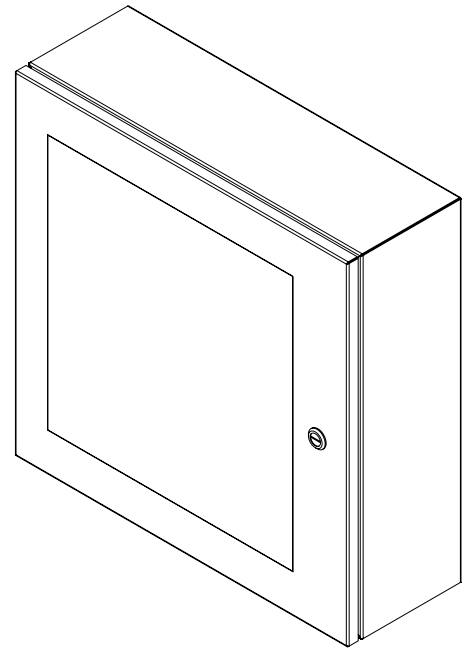


**PART No. EN4SD20206WGY**

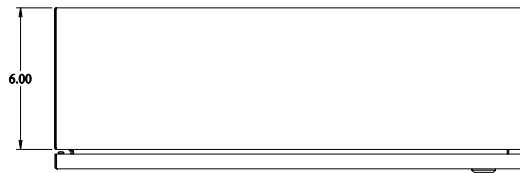
for more information visit  
[www.hammmfg.com](http://www.hammmfg.com)

Data subject to change without notice

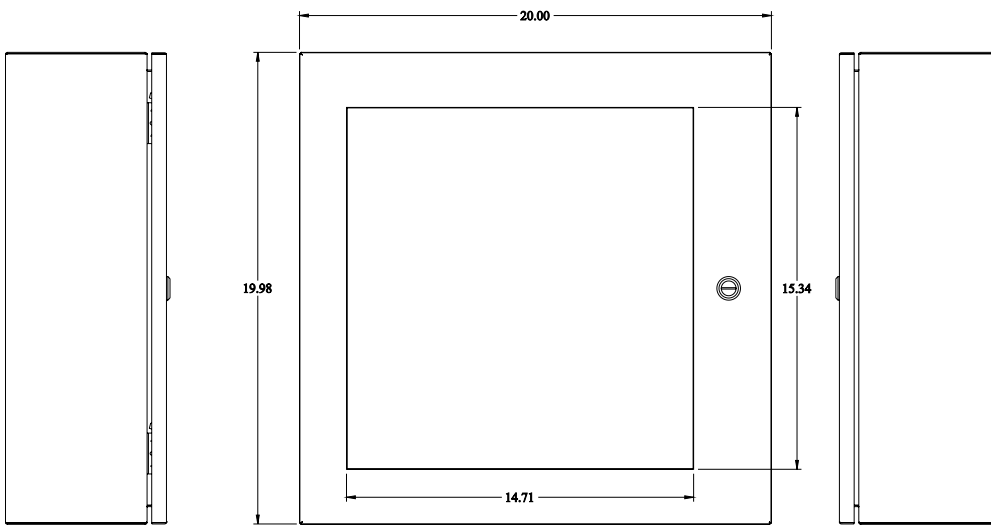
Isometric drawing Not to Scale



**ISOMETRIC VIEW**



**TOP VIEW**



**LEFT SIDE VIEW**

**FRONT VIEW**

**RIGHT SIDE VIEW**



**BOTTOM VIEW**