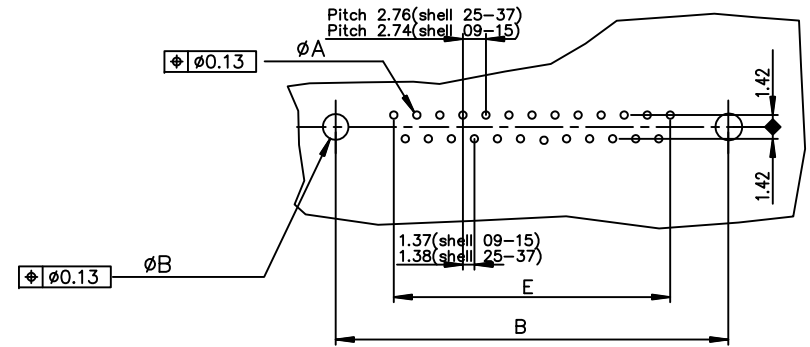


PC board drilling dimensions(after plating)
(thickness ≤ 3.20±0.30mm)



ROHS PART NUMBER

SHELL	A±0.38	B±0.12	C±0.10	D±0.25	E±0.07	PART NUMBER	PART NUMBER
09	30.81	24.99	16.96	16.79	10.96	D09P91C4GI00LF	D09P91C6GI00LF
15	39.14	33.32	25.18	25.12	19.18	D15P91C4GI00LF	D15P91C6GI00LF
25	53.03	47.04	39.12	38.84	33.12	D25P91C4GI00LF	D25P91C6GI00LF
37	69.32	63.50	55.68	55.30	49.68	D37P91C4GI00LF	D37P91C6GI00LF
						200 Matings	500 Matings

GENERAL CHARACTERISTICS AND ROHS INFORMATIONS:
SEE DRAWING C01-8646-0001

mat'l. code				surface ISO 1302 ✓		tolerance ISO 406 ISO 1101		projection		product family D-SUB	
ltr	ecn no	dr	date	tolerances unless otherwise specified				mm		title	
B	-	MPE	1996-07-24	angles	linear	.0±0.1		mm		MALE DELTA D CONNECTOR EUROPE	
C	LS05-004	MPE	2005-02-14			.00±0.1				STRAIGHT PRESS-FIT	
D	LS06-0097	LGO	2006-07-29	0'±2'			.000±0.1		scale 2:1		
E	LS06-0140	LGO	2006-09-22	dr	PESSON	1995-12-13				dwg no sheet 1 of 1 size	
F	111-0062	RPK	2011-04-05	engr	MITHUN PAUL	2016-06-06		Amphenol FCI		C01-8646-0422 A3	
G	ELX-I-24020	AAB	2016-06-06	chr	ATHUL A.B	2016-06-06				type Product Customer Drawing	
				appd	BIJU K PAUL	2016-06-06					
sheet index	revision	G									
	sheet	1									