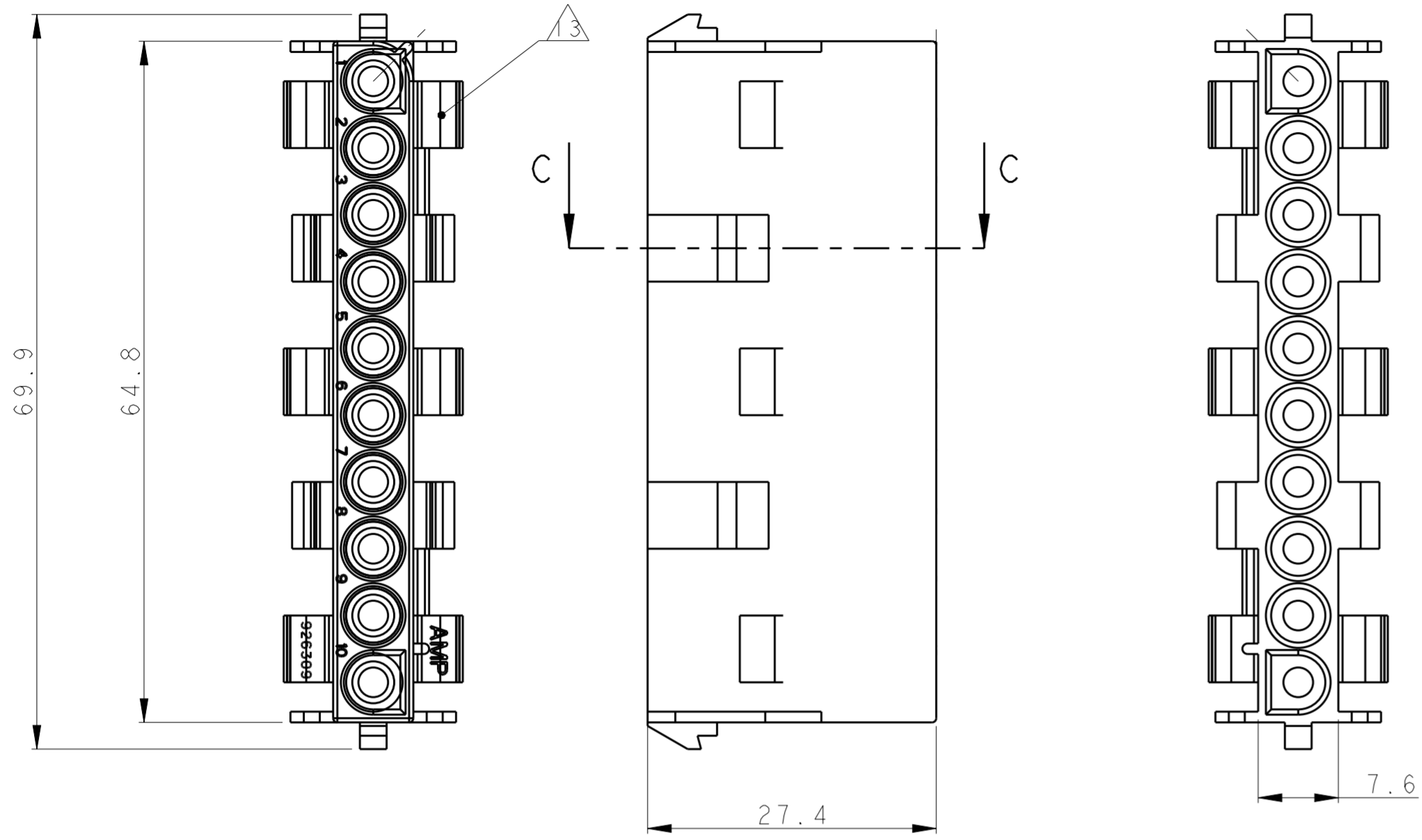


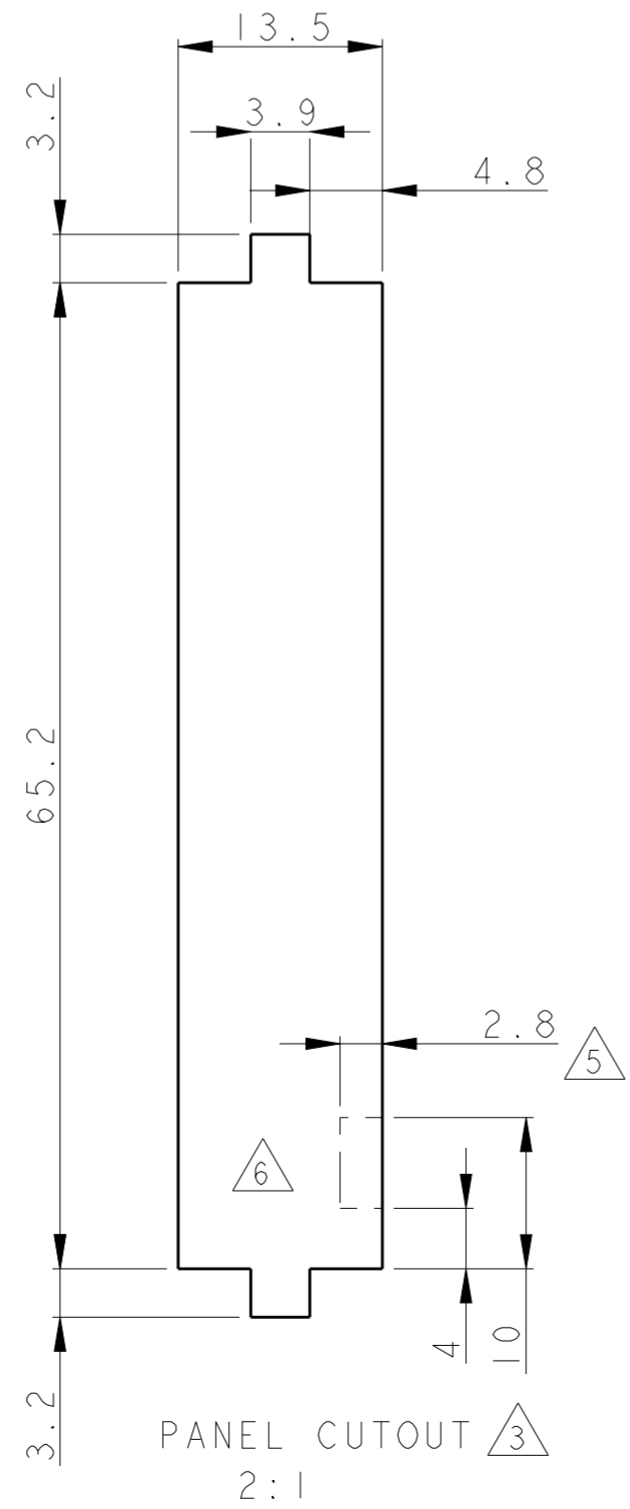
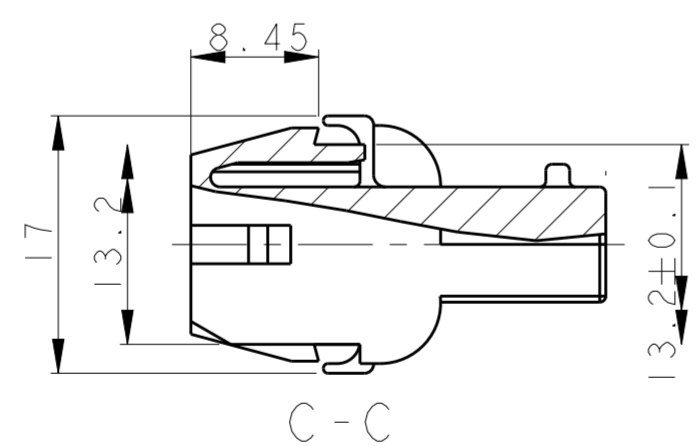
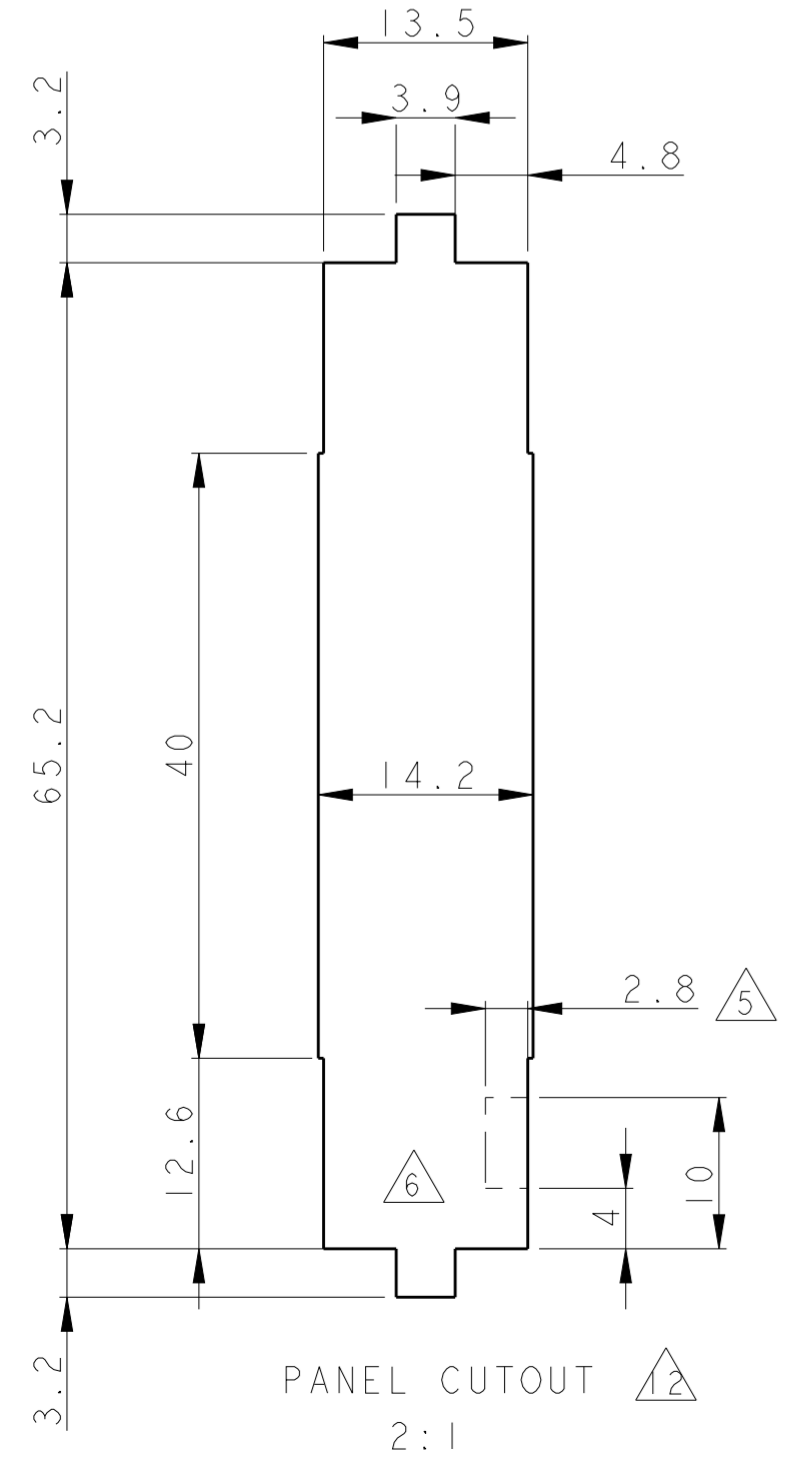
THIS DRAWING IS UNPUBLISHED. RELEASED FOR PUBLICATION
 © COPYRIGHT copyright.d8Te- ALL RIGHTS RESERVED.

REVISIONS				
P	LTR	DESCRIPTION	DATE	APVD
J3		REVISED PER ECR-17-014951	16OCT2017	BDA KR



- 1 SUITABLE FOR UMNL PIN AND SOCKET CONTACTS
- 2 SUITABLE FOR UMNL PLUG HOUSING PN 926302
- 3 RECOMMENDED PLATE THICKNESS 0.75-2.3mm
- 4 HOUSING TIGHT CLOSURE ARE INTRODUCED INTO PUNCHING DIRECTION
- 5 ENCRYPTED FOR INSERTION OF THE HOUSING
- 6 POSITION OF THE CHAMBER I AT ENCRYPTED USING THE HOUSING
- 7 NEW MATERIAL (PHOSPHORUS AND HALOGEN FREE)
- 8 BULK IN BAG AND SHIPPING CARTON ON 973057-2
- 9 GLOW-WIRE TEST 750°C (WITHOUT FLAME) ACCORDING TO IEC60335-1 EDITION 6/2001
- 10 PRELIMINARY PART NOT RELEASED FOR PRODUCTION
- 11 COLOR OF HOUSINGS MAY RANGE FROM CLEAR TO GREEN OR YELLOW DUE TO HYGROSCOPIC NATURE OF RESIN. HOWEVER IT DOESN'T AFFECT THE FORM, FIT AND FUNCTION OF THE PRODUCT.

PANEL CUTOUT ONLY USE FOR LASER PROCESS



- 12 ADD PANEL CUTOUT ONLY FOR LASER CUT PROCESS.
- 13 CSA CERTIFICATION LOGO LOCATED APPROXIMATELY AS SHOWN.
- 14 DIMENSIONS SHOWN REPRESENT PRODUCT IN DRY, AS MOLDED, CONDITION. ADDITIONAL 2% GROWTH DUE TO SUBSEQUENT MOISTURE ABSORPTION MAY OCCUR AND SHOULD BE ACCOUNTED FOR.

COLOUR	MATERIAL	PART NUMBER
NATURAL	PA66.UL94-V0 GWT 750 °C	926309-7
NATURAL	PA6. UL94-V0	926309-6
NATURAL	PA66 UL94-V2	926309-5
WHITE	PA6.6 UL94-V0	926309-4
NATURAL	PA6.6 UL94-V0	926309-3
BLACK	PA6.6 UL94-V0	926309-2
NATURAL	PA66 UL94-V2	926309-1

THIS DRAWING IS A CONTROLLED DOCUMENT.		DWN MGT 11DEC2012	TE Connectivity				
DIMENSIONS: mm		CHK R.P 11DEC2012					
TOLERANCES UNLESS OTHERWISE SPECIFIED:		APVD R.P 11DEC2012					
0 PLC ±0.2	1 PLC ±0.2	2 PLC ±0.2	3 PLC ±	4 PLC ±	ANGLES ±	FINISH ±	
MATERIAL REFER TABLE	finish_spec_2	PRODUCT SPEC	APPLICATION SPEC	WEIGHT	SCALE 1:1	SHEET OF	REV J3