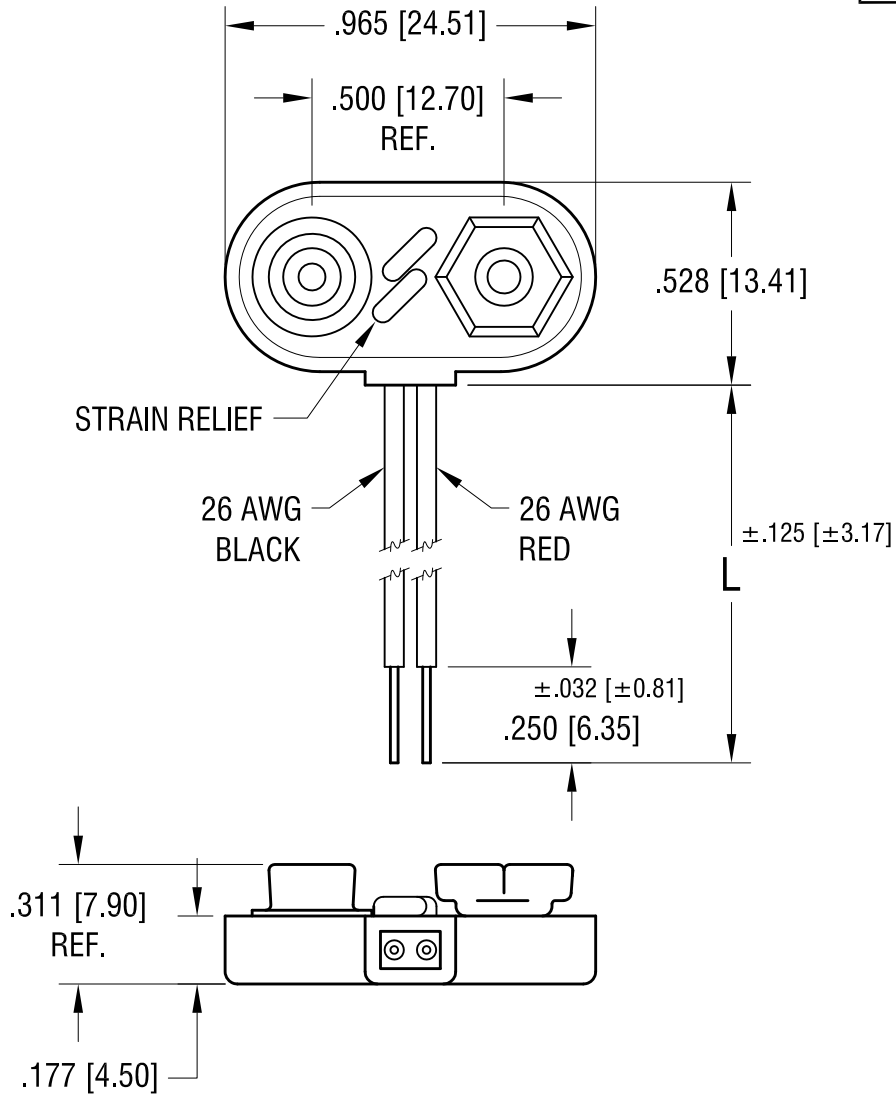


THIS DOCUMENT IS THE PROPERTY OF  
KEYSTONE ELECTRONICS CORP. AND  
SHALL NOT BE REPRODUCED, DISTRIBUTED  
OR USED AS A BASIS FOR MANUFACTURE  
WITHOUT PRIOR WRITTEN PERMISSION  
FROM KEYSTONE ELECTRONICS CORP.



**NOTE:**

1. MAT'L:  
WIRE: 26 AWG, 1007 UL/CSA APPROVED  
CONTACTS: BRASS, NICKEL PLATE  
COVER: MOLDED ABS
2. RED WIRE CONNECTED TO FEMALE CONTACT;  
BLACK WIRE CONNECTED TO MALE CONTACT.

PART NO.	'L' DIM.
235-M	4.000 [101.60]
236-M	6.000 [152.40]
237-M	8.000 [203.20]

<b>KEYSTONE ELECTRONICS CORP.</b>			
www.keyelco.com • ASTORIA, N.Y. 11105-2017 • Tel (718) 956-8900			
PART NAME MOLDED ECONOMY '9' VOLT BATTERY STRAP			
MATERIAL AS NOTED			
FINISH AS NOTED		DRN BY BOONE	DATE 11.16.05
		APP'D LN	SCALE 2X
TOLERANCES	INCH [MM]	CODE	DWG NO.
DECIMAL	± .020 [± 0.50]	C	235-M - 237-M
ANGULAR ± 1° UNLESS OTHERWISE SPECIFIED			

DATE	DESCRIPTION	REV.