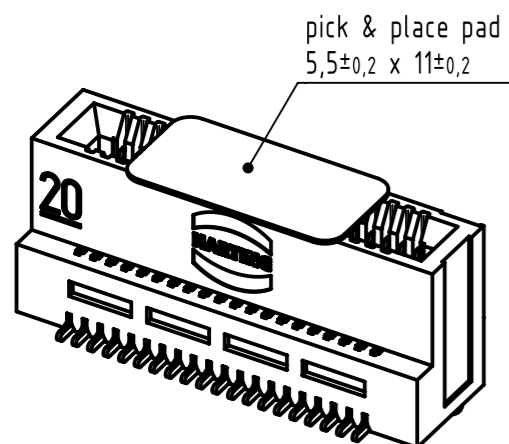
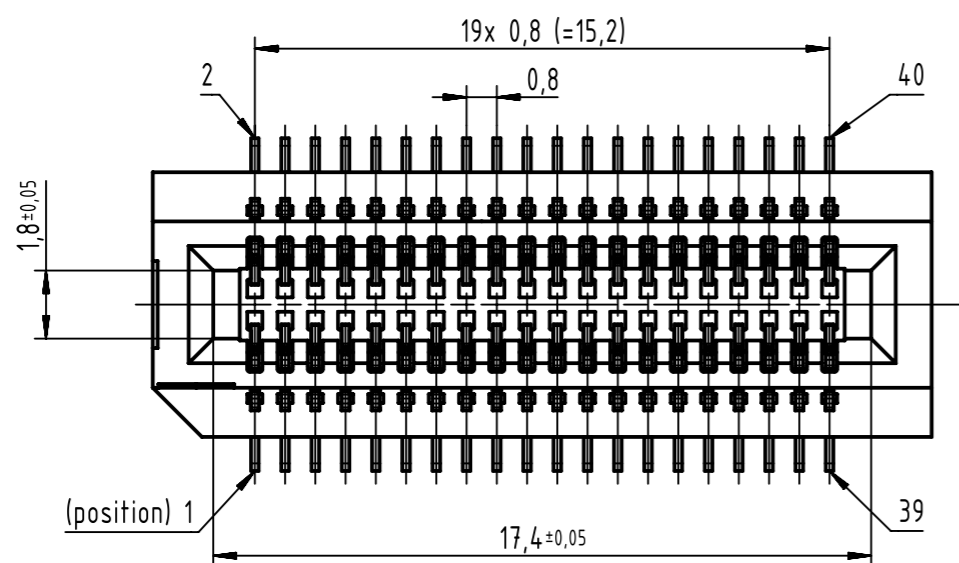
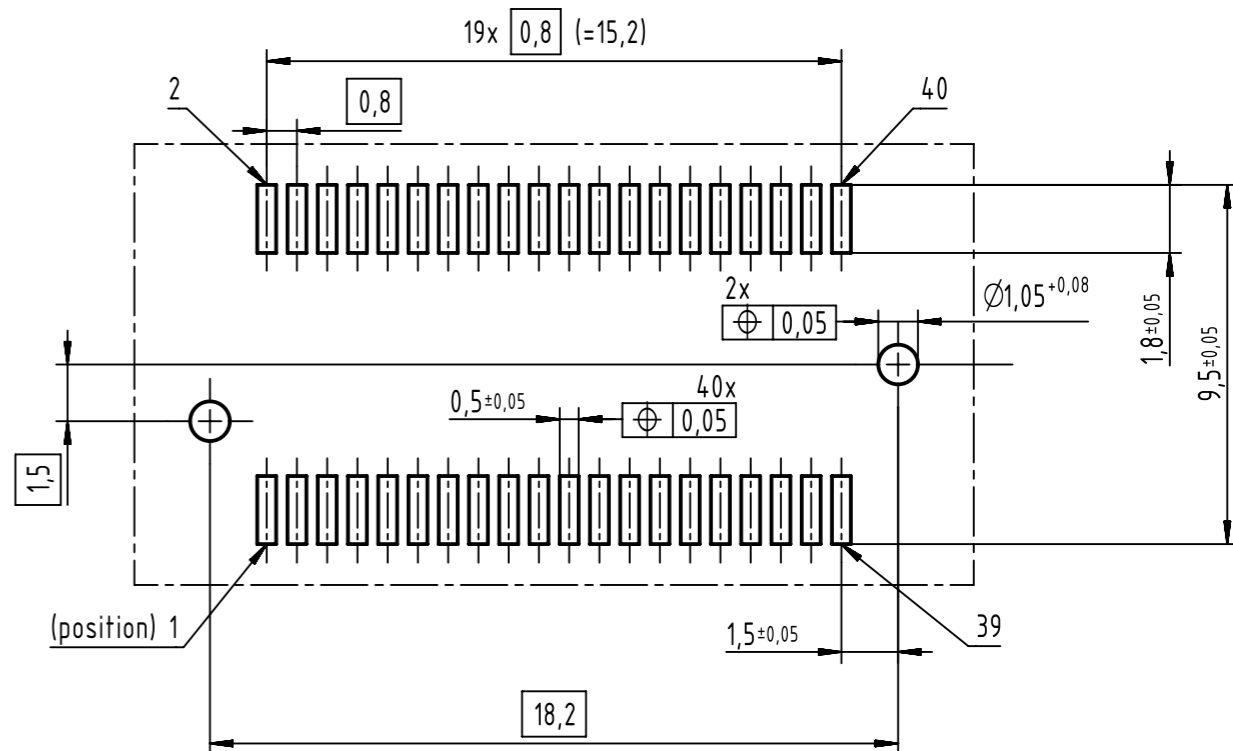


View without pick & place pad



Board layout



further information see DS 15002100301

	All rights reserved Department EC PD - DE	Created by TADJE	Inspected by ELLERMANN	Standardisation KOHLER	Date 2016-03-16	State Final Release	Ref. Sub.
	HARTING Electronics GmbH D-32339 Espelkamp	Title Micro Card Edge connector 40 poles				Doc-Key / ECM-Nr. 100191026/UGD/010/B 500000101859	
All Dimensions in mm Original Size DIN A3		Scale 5:1	Free size tol.				
Type TB		Number 15010404601XXX					