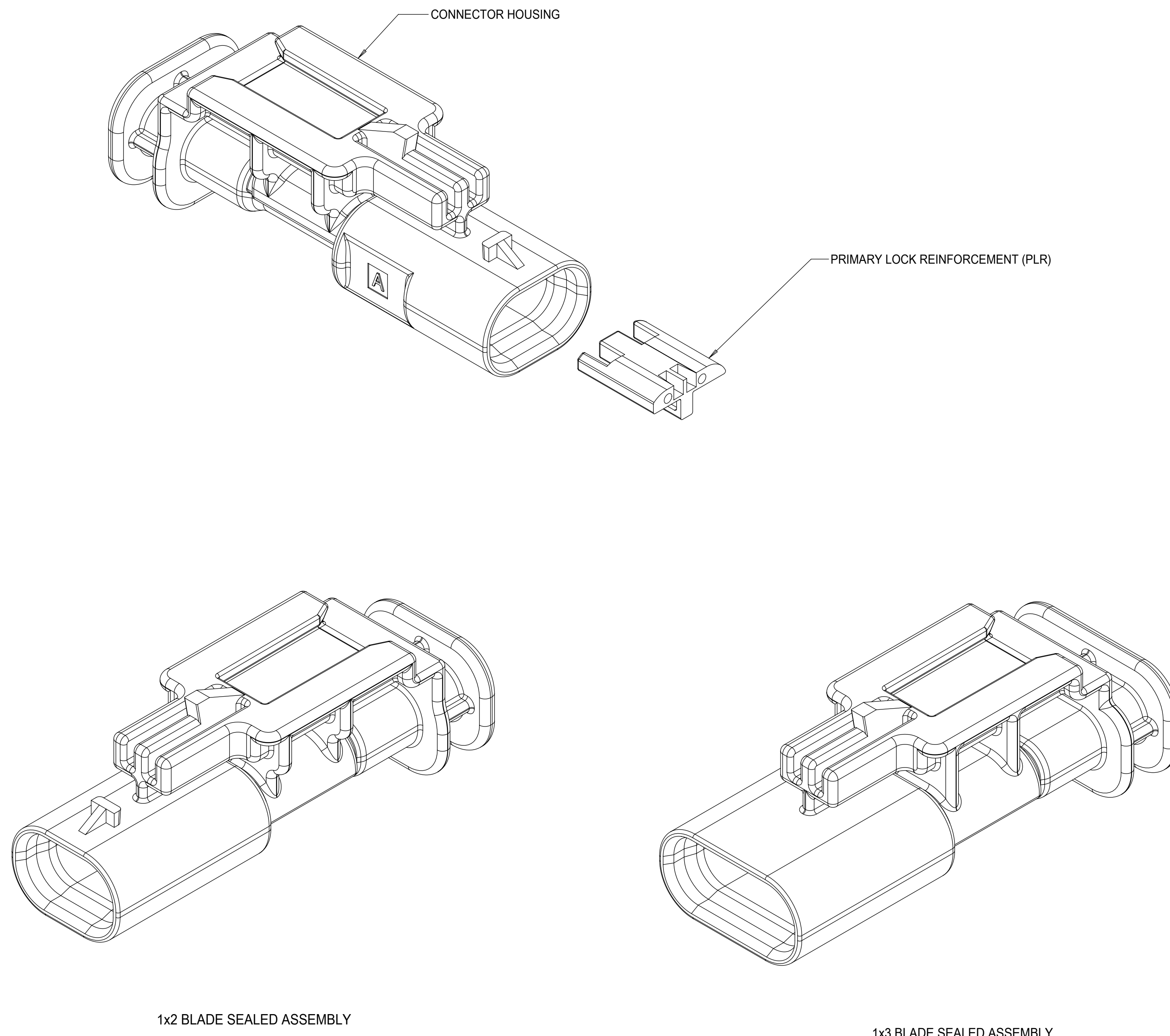


TABLE OF CONTENTS

SHEET NO.	SHEET DESCRIPTION
1	NOTES
2	1x2 BLADE SEALED ASSEMBLY KEYING CONFIGURATIONS
3	1x3 BLADE SEALED ASSEMBLY KEYING CONFIGURATIONS
4	CLIP-SLOT CONFIGURATIONS
5	BLADE SEALED ASSEMBLY
6	CONNECTION SYSTEM PACKAGING
7	WIRE DRESS COVER INTERFACE OPTIONS
8	1x2 BLADE SEALED ASSEMBLY BOM INTERFACE OPTION 1
9	1x2 BLADE SEALED ASSEMBLY BOM INTERFACE OPTION 2
10	1x3 BLADE SEALED ASSEMBLY BOM INTERFACE OPTION 1
11	1x3 BLADE SEALED ASSEMBLY BOM INTERFACE OPTION 2



1x2 BLADE SEALED ASSEMBLY

1x3 BLADE SEALED ASSEMBLY

NOTES: VALID UNLESS OTHERWISE SPECIFIED

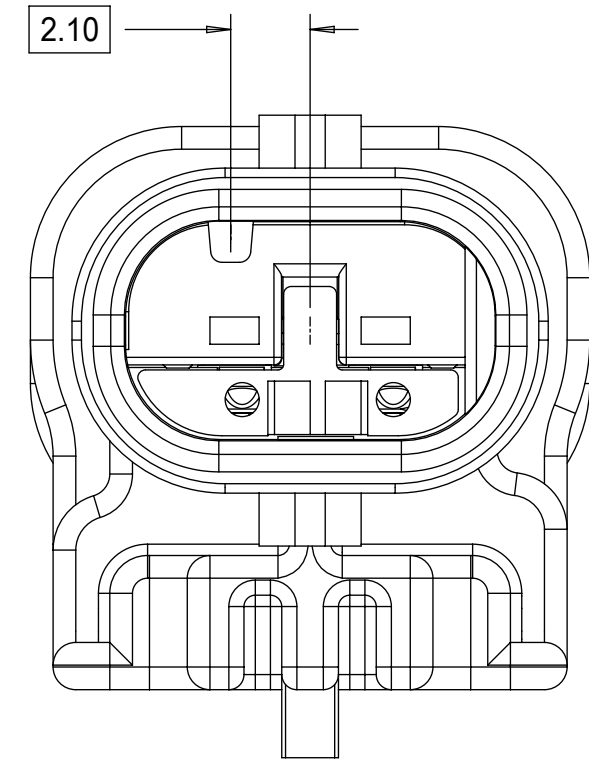
- GENERAL:
  - APPLICATION SPECIFICATION SEE: AS-34900-0001  
CONTAINS: PRODUCT INTRODUCTION, PRODUCT SUMMARY, CONNECTOR ASSEMBLY, PACKAGING INFORMATION, CONNECTOR MATING, SERVICE INSTRUCTIONS, ELECTRICAL CONTINUITY CHECKING, CRIMPING, AND TROUBLESHOOTING.
  - PRODUCT SPECIFICATION SEE: PS-34900-0001  
CONTAINS: PRODUCT INTRODUCTION, PRODUCT SUMMARY, RATINGS (CURRENT, TEMPERATURE, SEALING, AND FLAMMABILITY), AND PRODUCT VALIDATION.
  - PACKAGING SPECIFICATION PER MOLEX DRAWING: PK-31301-898
  - PARTS MUST BE IN COMPLIANCE TO MOLEX CHEMICAL SUBSTANCES FOR PRODUCTS AND PACKAGING SPECIFICATION: ES-40000-5016
  - DATA MUST BE SUBMITTED UNDER THE MOLEX PART NUMBER TO IMDS (COMPANY ID#13255)
- DESIGN - MATERIALS:
  - SEE BOM TABLE
- DESIGN - GEOMETRY:
  - THIS IS A 100% CAD GENERATED PART. THE CAD MATHEMATICAL DATA IS THE MASTER FOR THIS PART. FOR DIMENSIONAL OR ANY INFORMATION NOT SHOWN ON THIS DRAWING, ANALYZE THE CAD MODEL.
  - GEOMETRIC DIMENSIONS AND TOLERANCES PER ASME Y14.5M - 1994
  - EDGES AND UNDIMENSIONED DETAILS PER ISO13715
  - CORNERS SHOWN AS SHARP TO BE R 0.2 MAX.
  - LETTERING SHALL BE 0.15 MAX RAISED IN 0.25 MAX RECESS PAD. THIS INCLUDES RECYCLING CODE, CAVITY ID, VENDOR IDENTIFICATION.
  - VISUAL DEFECTS SHALL MEET COSMETIC STANDARD PS-45499-002 (Class B)
  - LASER MARKING:
    - PART NUMBER
    - DAY OF THE YEAR
    - SHIFT
    - YEAR

A17	NOTE ADDED ON PRESENCE OF SHARKFINS
A16	CHANGED PNs TO OBSOLETE STATUS
A15	- NX-REMASTERING FROM MODEL MANAGER - 1x2 KEY C MOVED TO SALEABLE - 1X3 WDC INTERFACE 2 PART NUMBERS UPDATED TO MATCH E-DRAWING
A14	CORRECTED CHARTED DIMENSION 3 FOR 1X3 11MM CLIPSLOT
A13	1x3 KEY A&B SALEABLE (NON 40G)
A12	1X2 KEYS A&B W/ WDC SALEABLE
A11	CORRECTED REVISION LOG
A10	1X2,1X3 WIRE DRESS FEATURES OK TO TOOL
A9	1X2,1X3 PART # STATUS UPDATED
A8	1X2 40G CLIP-SLOT OK TO TOOL
A7	1X2,1X3 PART # UPDATED TO "TOOLED BUT NOT VALIDATED"
A6	ADDED 40G CLIP-SLOT PART NUMBERS
A5	BOM CORRECTIONS AND UPDATES
A4	BOM CORRECTIONS AND UPDATES
A3	1x2, 1x3 NON-SIR PART# OK TO TOOL
A2	ADDED 1x3 11mm CLIP-SLOT PART #
A	ADDED BLACK PART# AND MINOR BOM UPDATES
6	ADDED CLIP SLOT CONFIGURATIONS
5	1X3 BOM UPDATED
4	1X3 INLINE ASSY VIEWS ADDED
3	MINOR BOM CORRECTIONS
2	UPDATED PACKAGING DIMENSIONS
1	INITIAL RELEASE
REV	DESCRIPTION

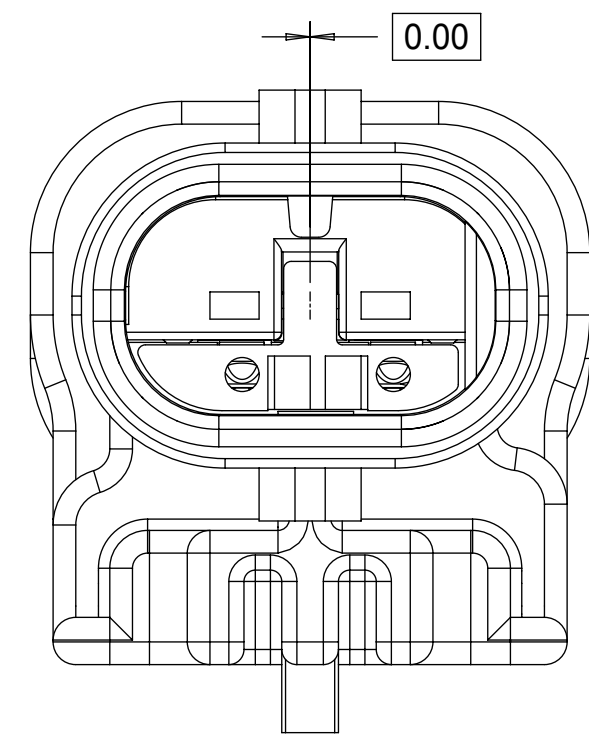
INSPECTION NUMBER LOG  
LAST NUMBER USED:  
ADDED:  
REMOVED:

QUALITY SYMBOLS	THIS DRAWING CONTAINS INFORMATION THAT IS PROPRIETARY TO MOLEX ELECTRONIC TECHNOLOGIES, LLC AND SHOULD NOT BE USED WITHOUT WRITTEN PERMISSION		DIMENSION UNITS		SCALE
▽ = 0	2020/09/11	DRWN: GELIOTT01	GENERAL TOLERANCES (UNLESS SPECIFIED)	mm	4:1
▽ = 0	2020/09/15	CHKD: MVANSLAMBROU	ANGULAR TOL ± 3.0 °	DRWN BY	DATE
▽ = 0	2020/09/15	REV: APPR: MVANSLAMBROU	4 PLACES ±	SKRAJENDRANA	2013/11/06
▽ = 0			3 PLACES ±	CHKD BY	DATE
▽ = 0			2 PLACES ± 0.1	APPR BY	DATE
▽ = 0			1 PLACE ± 0.2	DRAWING SIZE	THIRD ANGLE PROJECTION
▽ = 0			0 PLACES ± 0.5	D	
▽ = 0			DRAFT WHERE APPLICABLE MUST REMAIN WITHIN DIMENSIONS		
▽ = 0					
	EC NO: 645203		<b>molex</b> 1.2MM 1X2, 1X3 BLADE SEALED ASSEMBLY CABLE SEAL 639764 - REMOVED CPA3 AND REPLACED WITH CPA2 AGAIN 64 PRODUCT CUSTOMER DRAWING		
	A17				
			SERIES	MATERIAL NUMBER	CUSTOMER
			34899	SEE BOM	GENERAL MARKET
			DOCUMENT NUMBER	DOC TYPE	DOC PART   SHEET NUMBER
			SD-34899-2001	PSD	001   1 OF 11

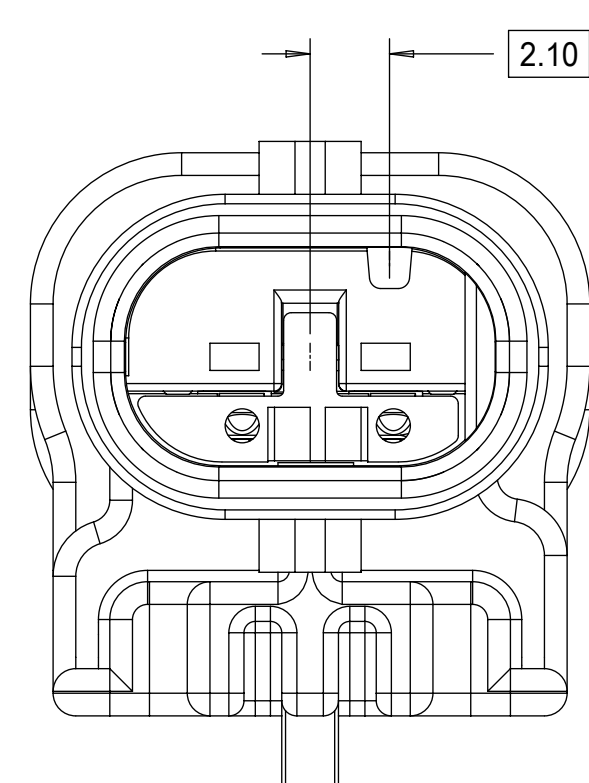
1x2 BLADE SEALED ASSEMBLY KEYING CONFIGURATIONS. FOR PART NUMBERS REFER TO BOM SHEET.



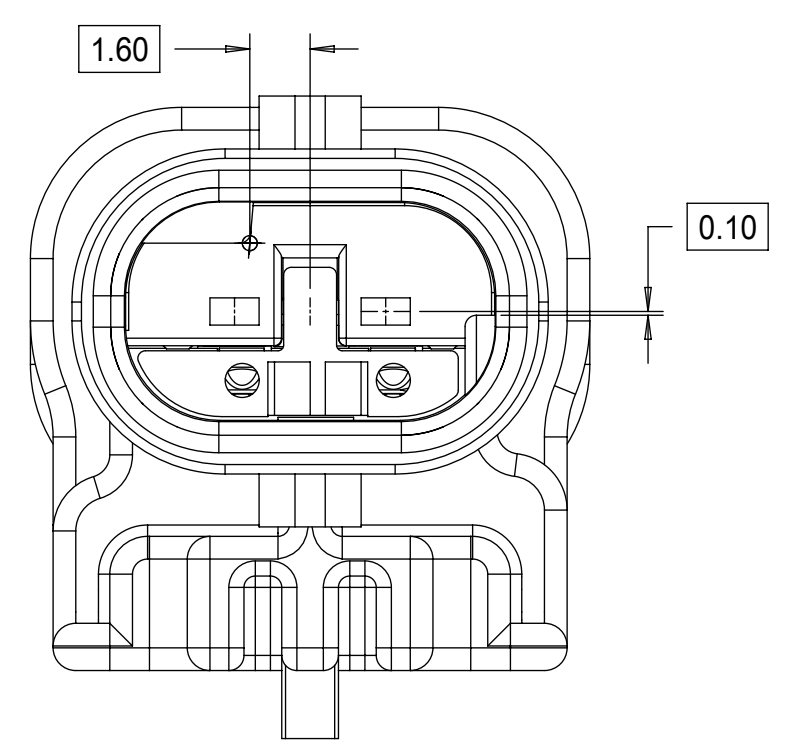
KEYING OPTION A



KEYING OPTION B



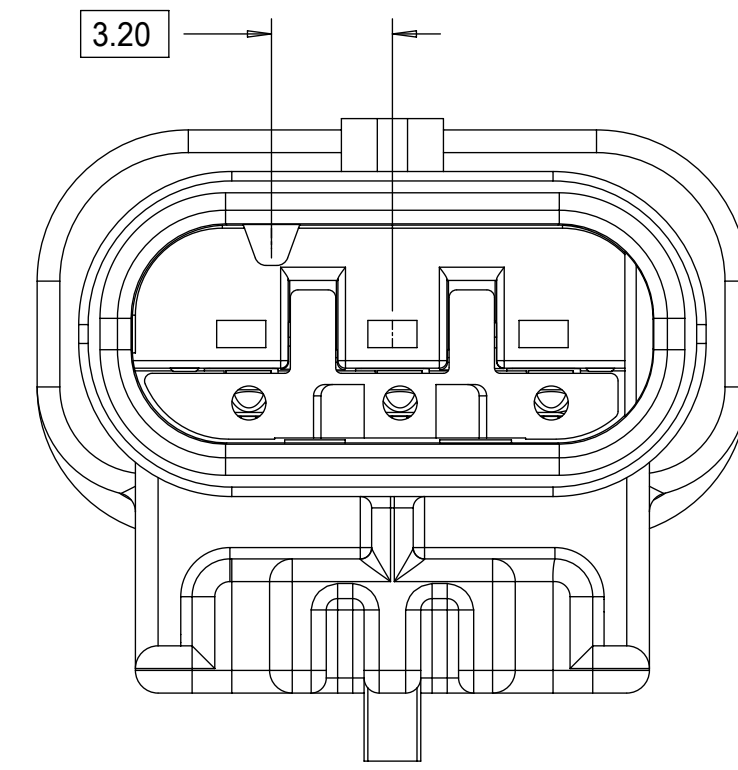
KEYING OPTION C



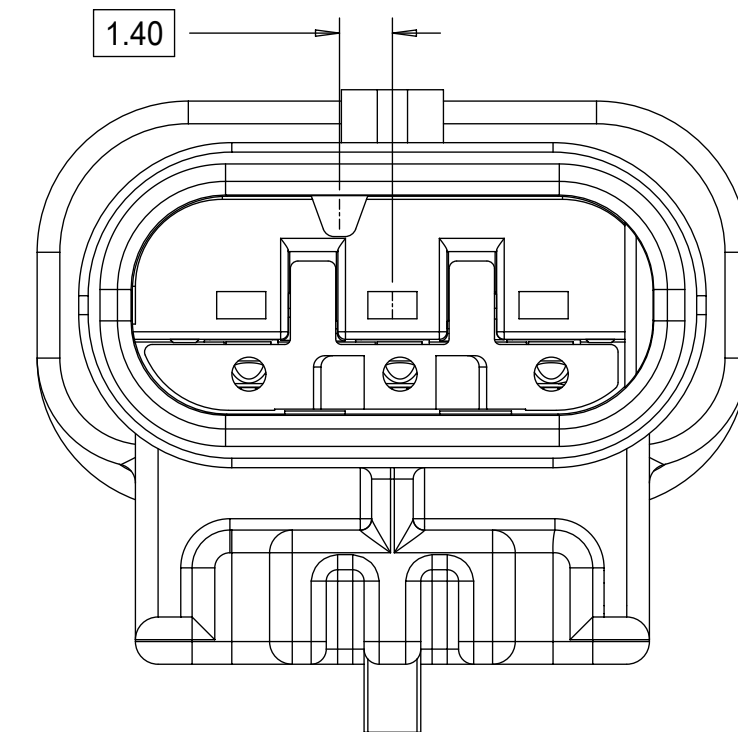
KEYING OPTION E

<b>QUALITY SYMBOLS</b> □ = 0 ▽ = 0 ▽ = 0 ▽ = 0 ▽ = 0 ▽ = 0 ▽ = 0 ▽ = 0 ▽ = 0 ▽ = 0 ▽ = 0	THIS DRAWING CONTAINS INFORMATION THAT IS PROPRIETARY TO MOLEX ELECTRONIC TECHNOLOGIES, LLC AND SHOULD NOT BE USED WITHOUT WRITTEN PERMISSION										
	2020/09/11	GENERAL TOLERANCES (UNLESS SPECIFIED)			DIMENSION UNITS	SCALE					
	2020/09/15	ANGULAR TOL ± 3.0 °			mm	5:1					
	2020/09/15	4 PLACES ±			DRWN BY	DATE	1.2MM 1X2, 1X3 BLADE SEALED ASSEMBLY CABLE SEAL 639764 - REMOVED CPA3 AND REPLACED WITH CPA2 AGAIN 64				
		3 PLACES ±			SKRAJENDRANA	2013/11/06					
		2 PLACES ± 0.1			CHKD BY	DATE	PRODUCT CUSTOMER DRAWING				
		1 PLACE ± 0.2			APPR BY	DATE					
		0 PLACES ± 0.5			DRAWING SIZE	THIRD ANGLE PROJECTION	SERIES	MATERIAL NUMBER	CUSTOMER		
		DRAFT WHERE APPLICABLE MUST REMAIN WITHIN DIMENSIONS			D		34899	SEE BOM	GENERAL MARKET		
							DOCUMENT NUMBER	DOC TYPE	DOC PART	SHEET NUMBER	
						SD-34899-2001	PSD	001	2 OF 11		

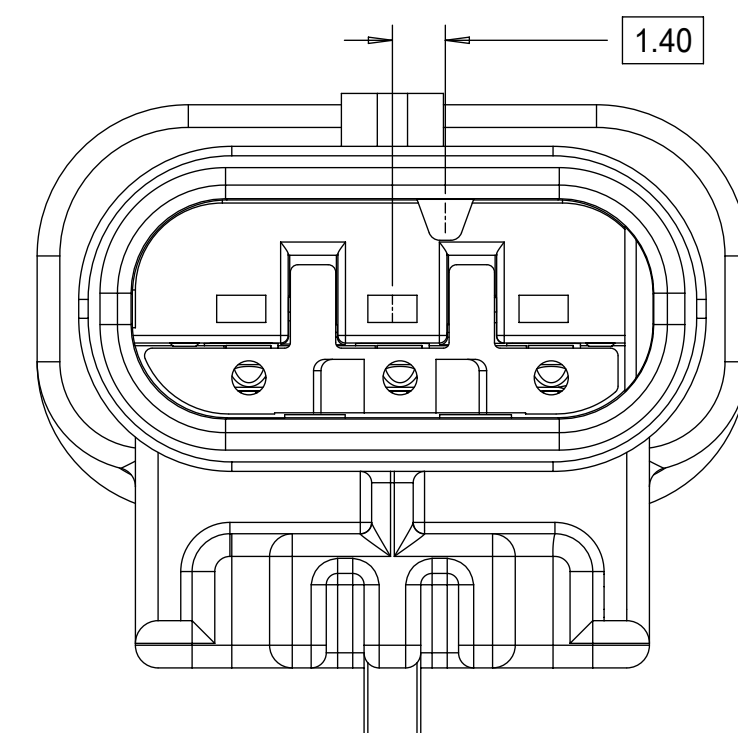
1x3 BLADE SEALED ASSEMBLY KEYING CONFIGURATIONS. FOR PART NUMBERS REFER TO BOM SHEET.



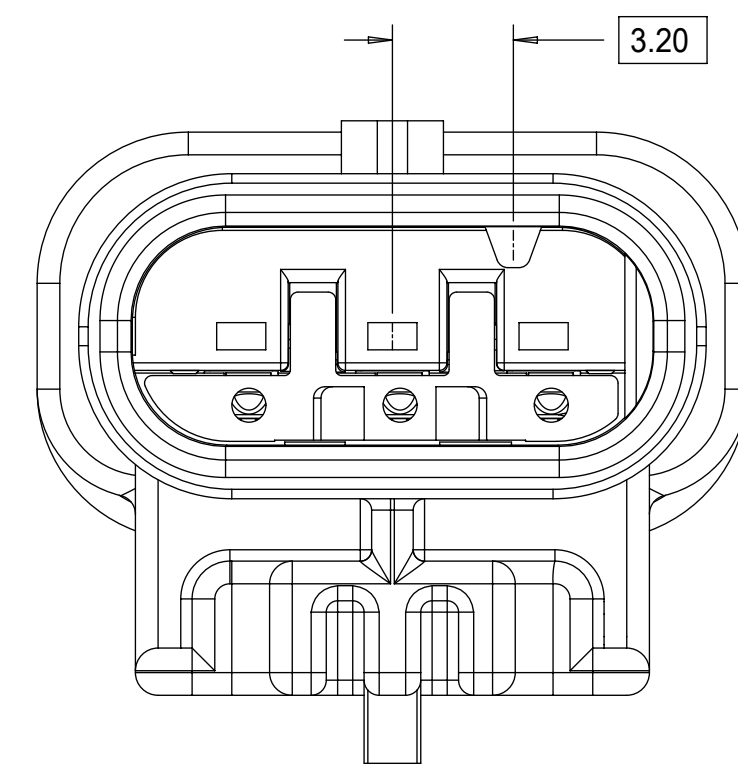
KEYING OPTION A



KEYING OPTION B



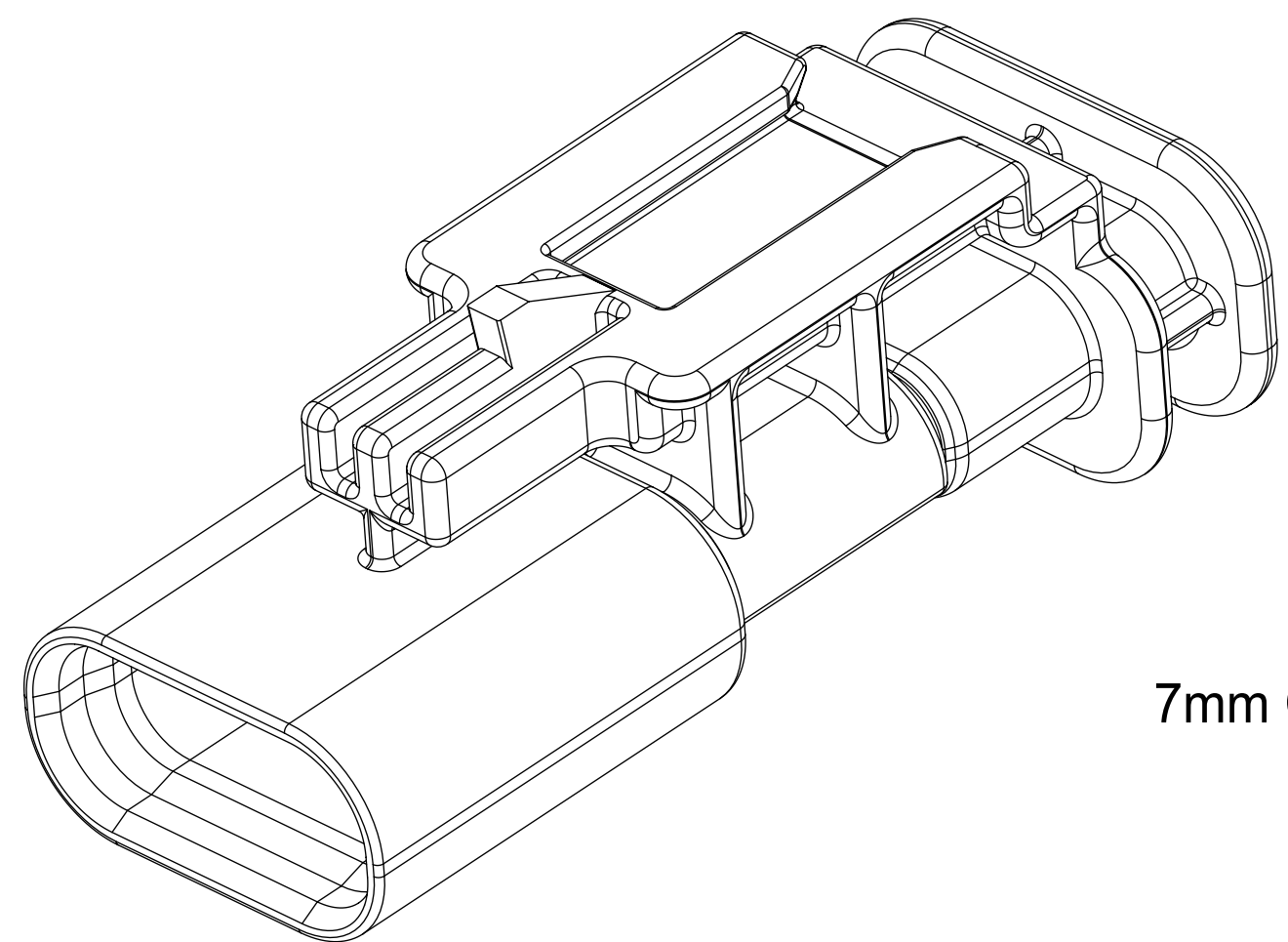
KEYING OPTION C



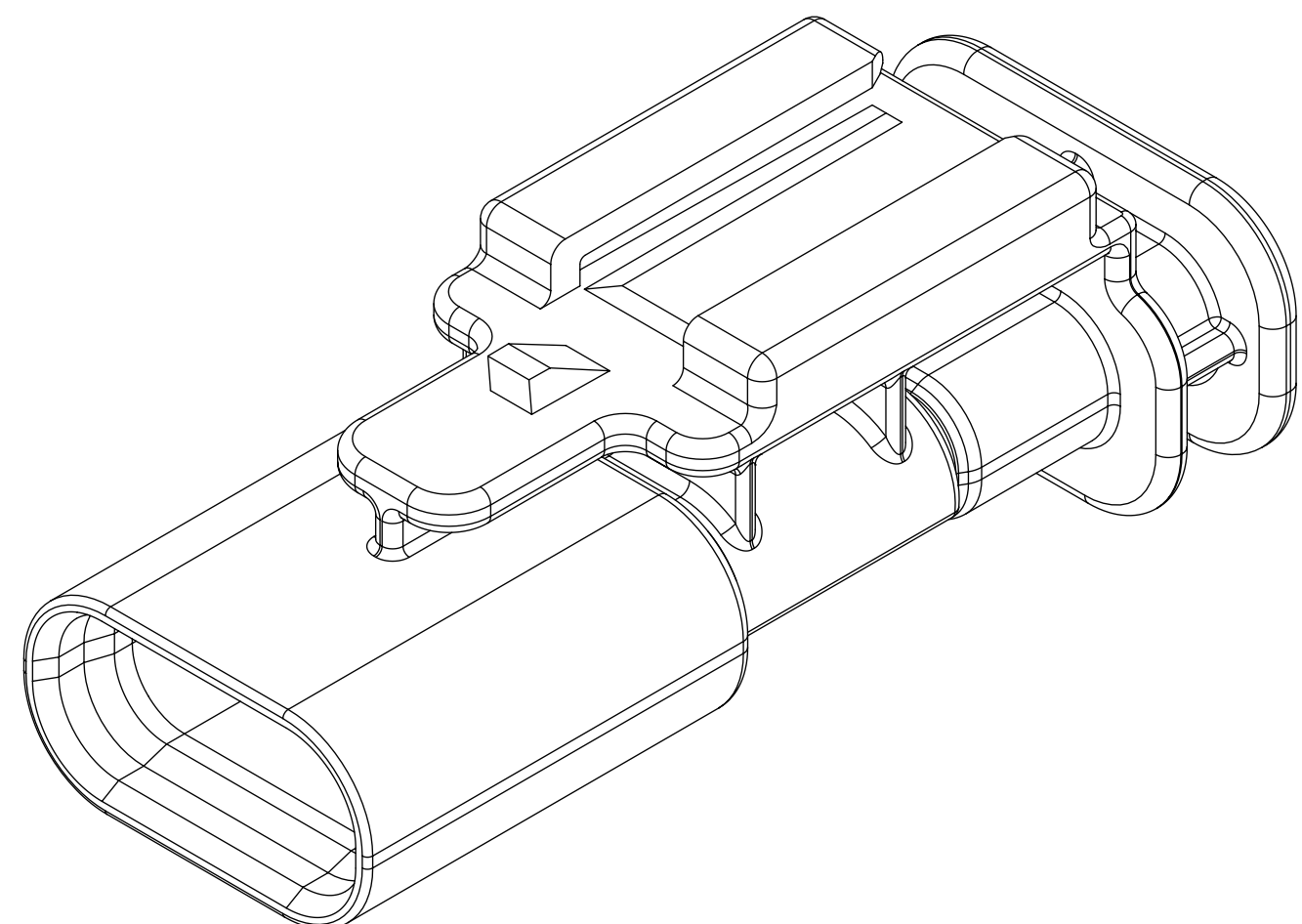
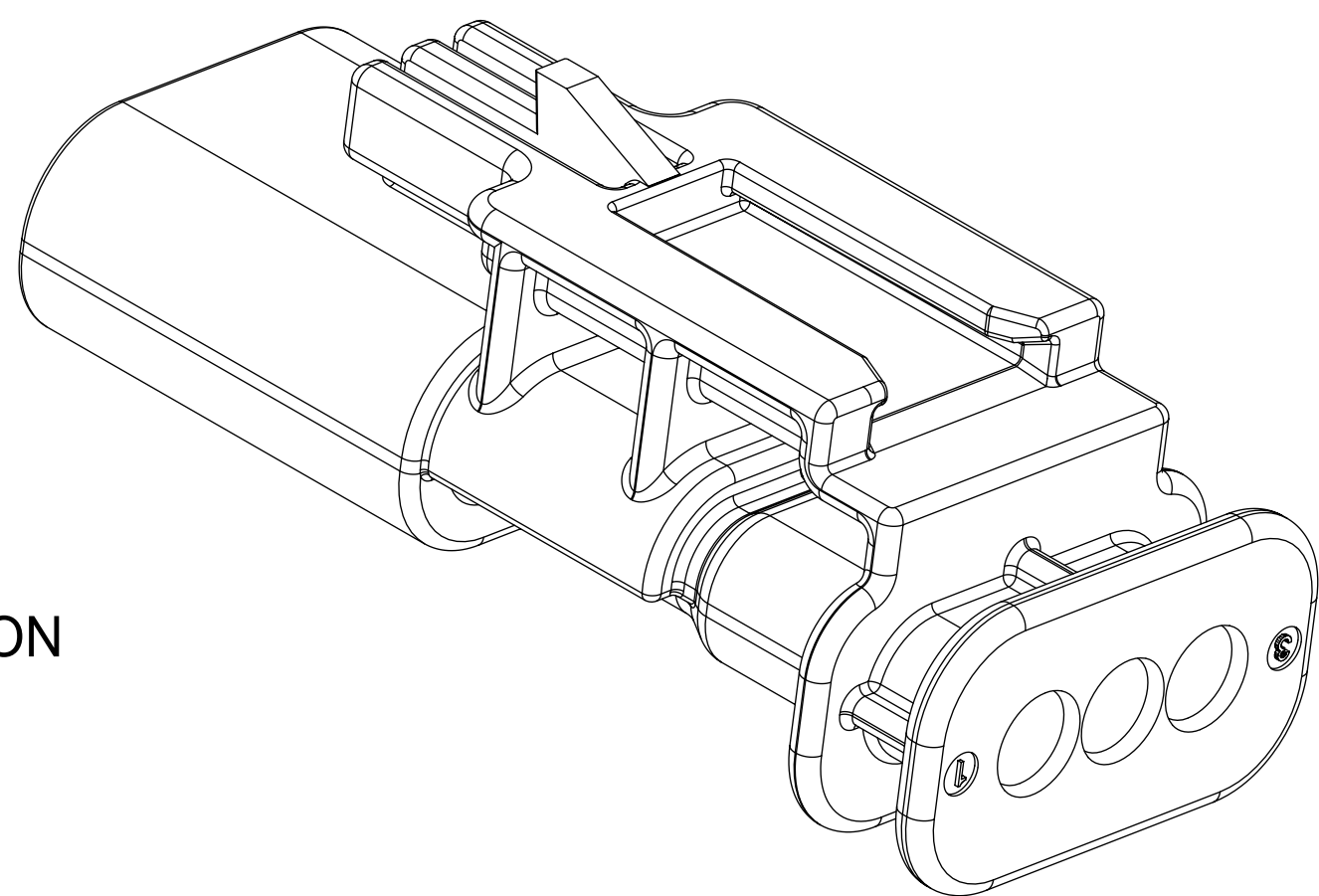
KEYING OPTION D

THIS DRAWING CONTAINS INFORMATION THAT IS PROPRIETARY TO MOLEX ELECTRONIC TECHNOLOGIES, LLC AND SHOULD NOT BE USED WITHOUT WRITTEN PERMISSION										
<b>QUALITY SYMBOLS</b> 	2020/09/11	GENERAL TOLERANCES (UNLESS SPECIFIED)		DIMENSION UNITS	SCALE					
	DRWN BY: GELLIOTTO1	mm	5:1							
	2020/09/15	ANGULAR TOL ± 3.0 °		DRWN BY	DATE	1.2MM 1X2, 1X3 BLADE SEALED ASSEMBLY CABLE SEAL 639764 - REMOVED CPA3 AND REPLACED WITH CPA2 AGAIN 64				
	CHKD: MVANSLAMBROU	4 PLACES ±	SKRAJENDRANA	2013/11/06						
	2020/09/15	3 PLACES ±	CHKD BY	DATE	PRODUCT CUSTOMER DRAWING					
	REV APPR: MVANSLAMBROU	2 PLACES ± 0.1	APPR BY	DATE						
	EC NO: 645203	1 PLACE ± 0.2	DRAWING SIZE		THIRD ANGLE PROJECTION	SERIES: 34899 MATERIAL NUMBER: SEE BOM CUSTOMER: GENERAL MARKET				
	DRWN: GELLIOTTO1	0 PLACES ± 0.5	D							
	2020/09/15	DRAFT WHERE APPLICABLE MUST REMAIN WITHIN DIMENSIONS				DOCUMENT NUMBER	DOC TYPE	DOC PART	SHEET NUMBER	
	A17					SD-34899-2001	PSD	001	3 OF 11	

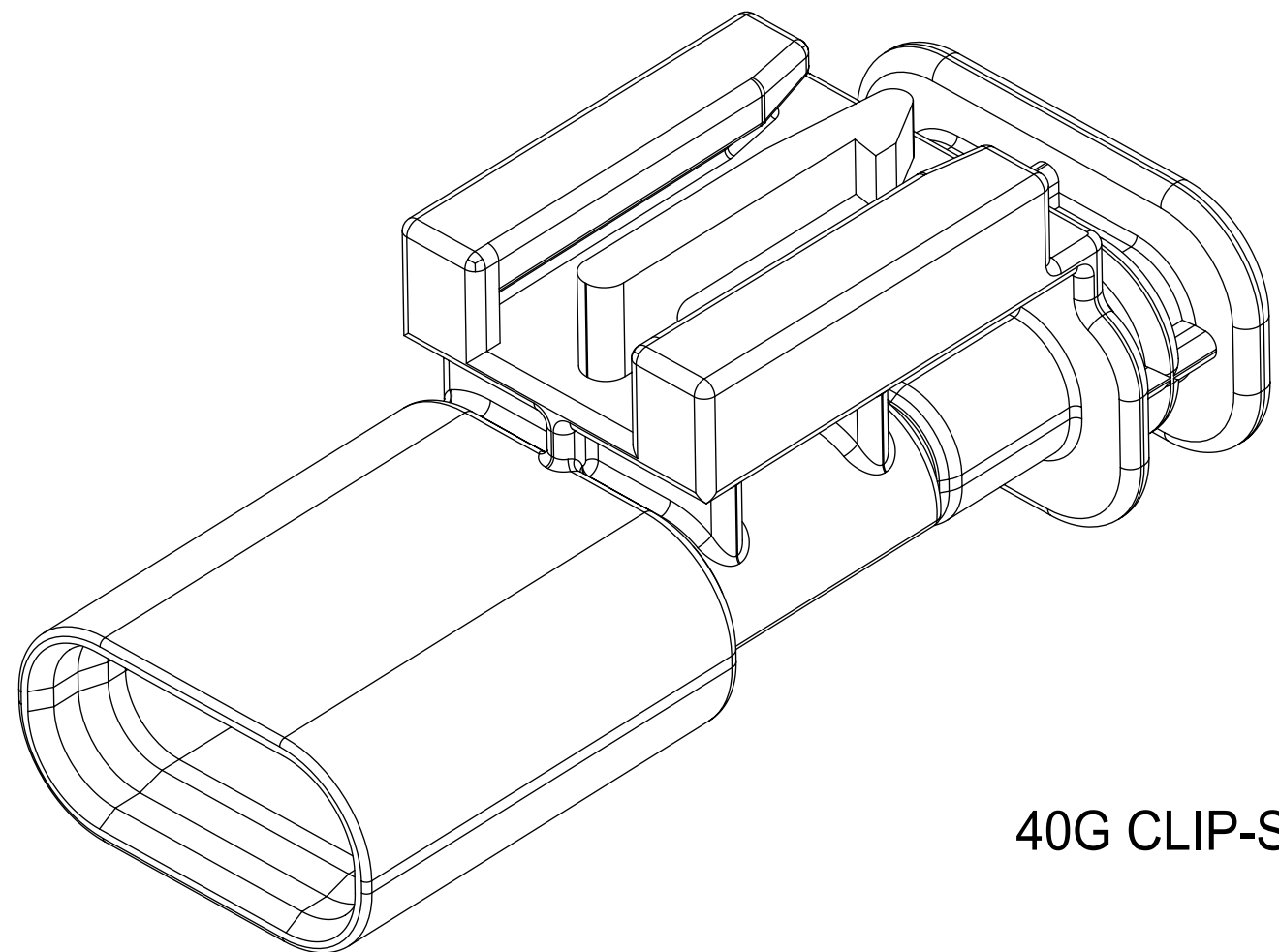
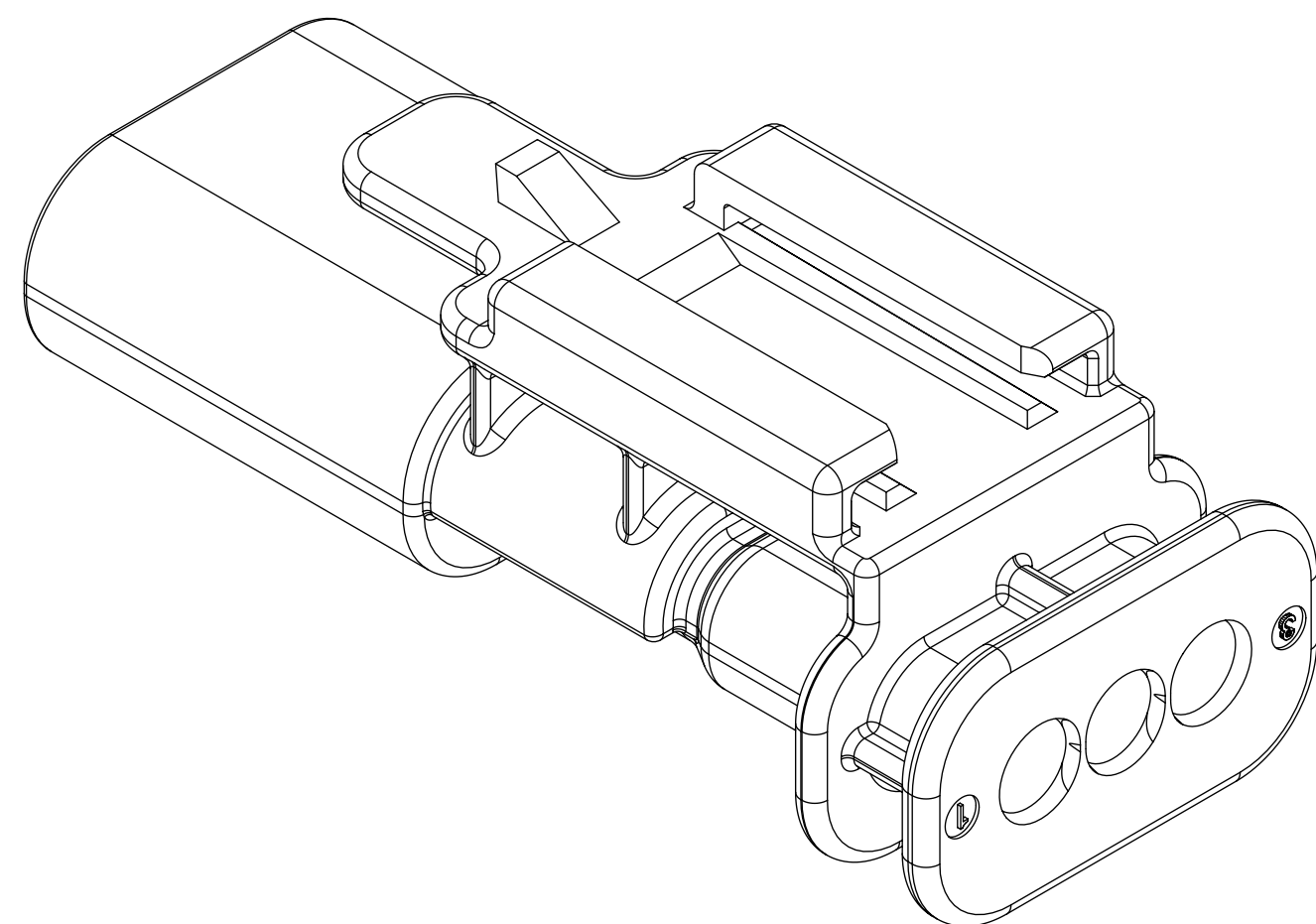
CLIP-SLOT CONFIGURATIONS. FOR PART NUMBERS REFER TO BOM SHEET.



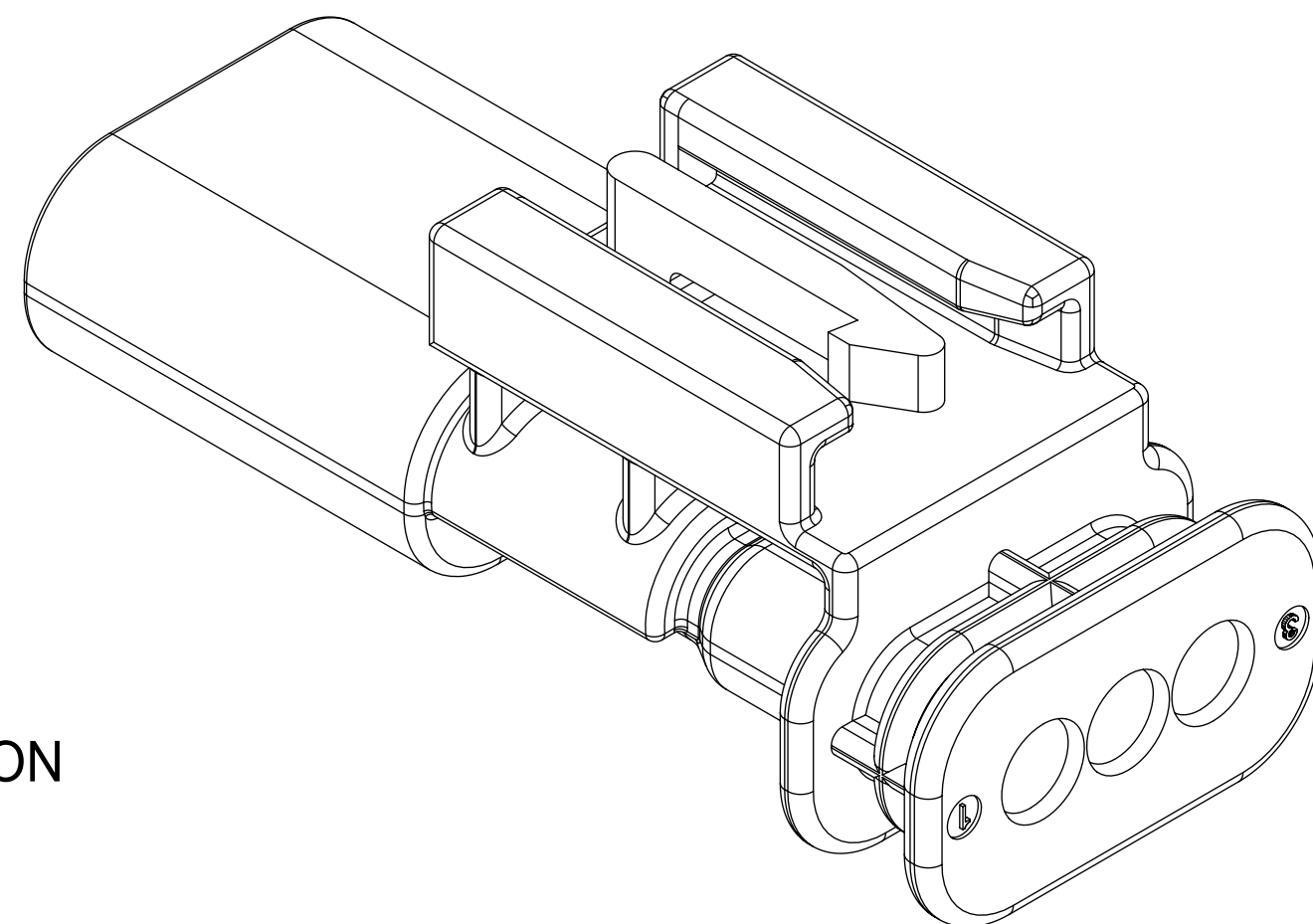
7mm CLIP-SLOT OPTION



11mm CLIP-SLOT OPTION

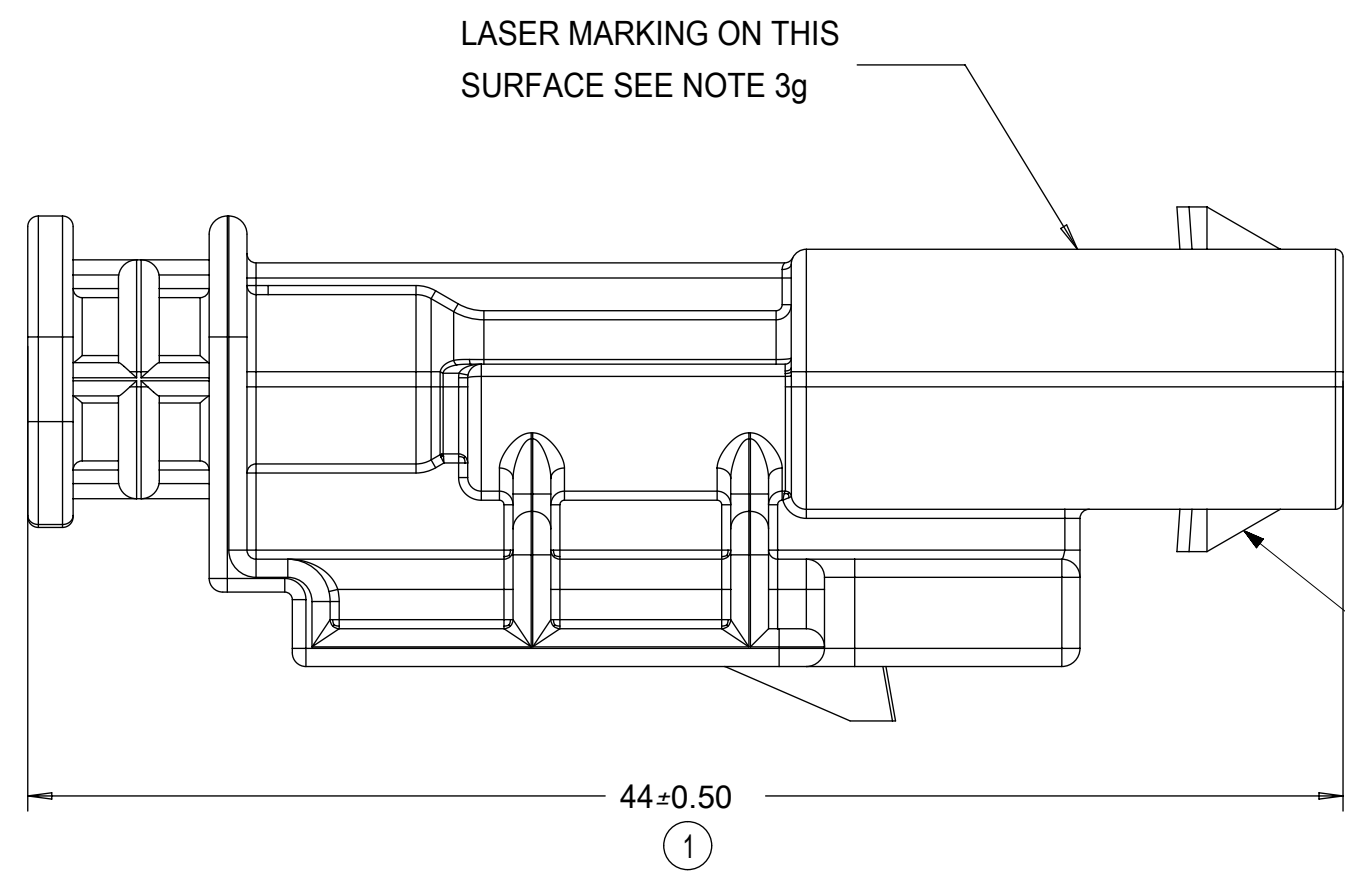


40G CLIP-SLOT OPTION

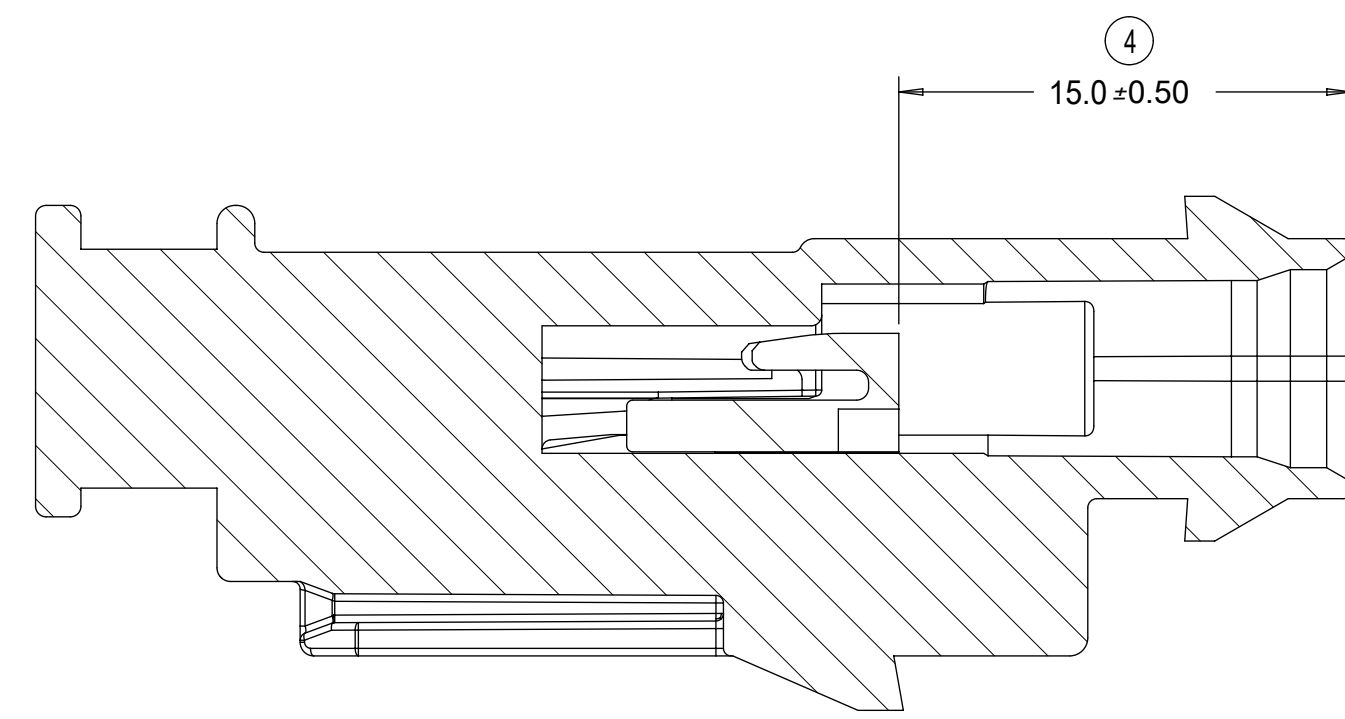
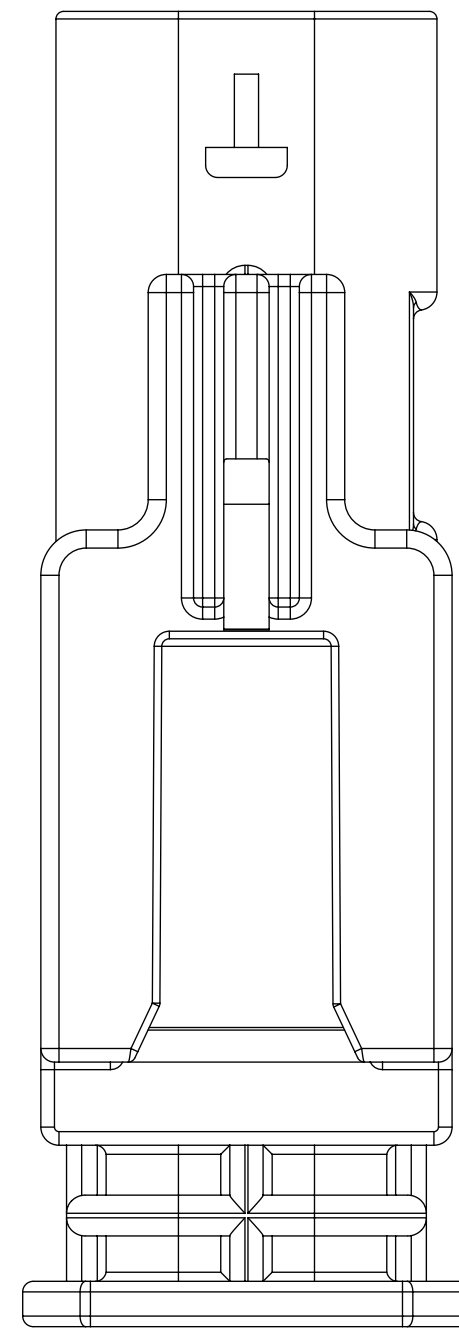
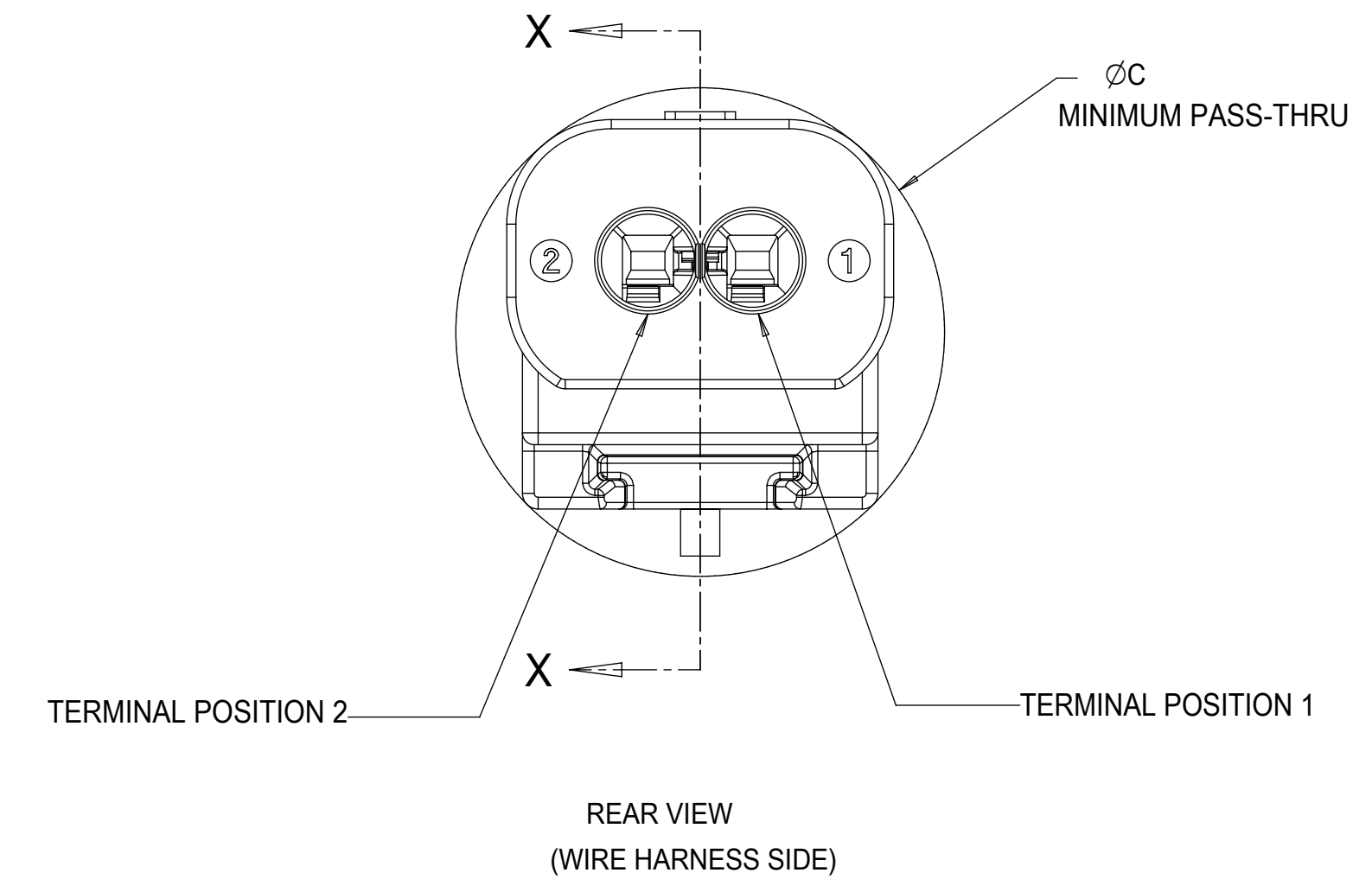
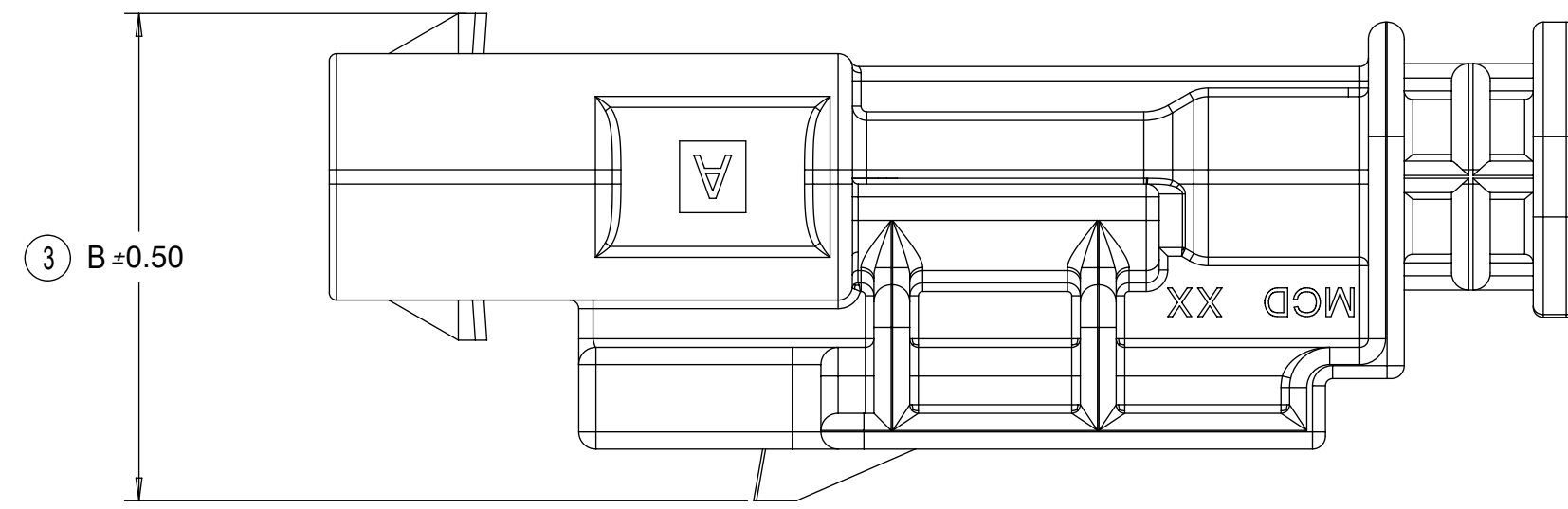
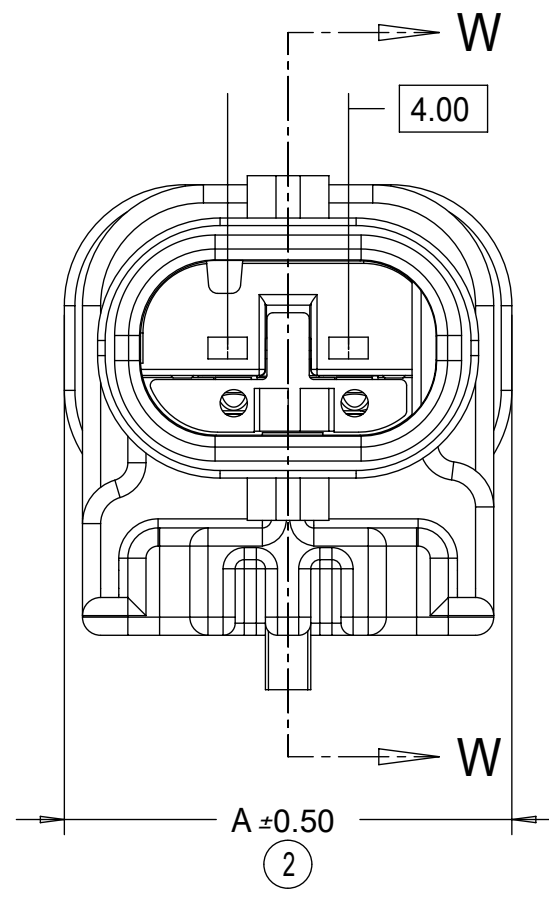


QUALITY SYMBOLS ▽ = 0 ▽ = 0 ▽ = 0 ▽ = 0 ▽ = 0 ▽ = 0 ▽ = 0 ▽ = 0 ▽ = 0		THIS DRAWING CONTAINS INFORMATION THAT IS PROPRIETARY TO MOLEX ELECTRONIC TECHNOLOGIES, LLC AND SHOULD NOT BE USED WITHOUT WRITTEN PERMISSION		GENERAL TOLERANCES (UNLESS SPECIFIED) DIMENSION UNITS: mm SCALE: 4:1 ANGULAR TOL ± 3.0 ° DRWN BY: SKRAJENDRANA DATE: 2013/11/06 CHKD BY: DATE APPR BY: DATE DRAFT WHERE APPLICABLE MUST REMAIN WITHIN DIMENSIONS		DIMENSION UNITS: mm SCALE: 4:1 DRWN BY: SKRAJENDRANA DATE: 2013/11/06 CHKD BY: DATE APPR BY: DATE DRAFT WHERE APPLICABLE MUST REMAIN WITHIN DIMENSIONS		molex® 1.2MM 1X2, 1X3 BLADE SEALED ASSEMBLY CABLE SEAL 639764 - REMOVED CPA3 AND REPLACED WITH CPA2 AGAIN 64 PRODUCT CUSTOMER DRAWING		EC NO: 645203 DRWN: GELIOTTO1 CHKD: MVANSLAMBROU REV: APPR: MVANSLAMBROU 2020/09/15 2020/09/15 2020/09/15		SERIES: 34899 MATERIAL NUMBER: SEE BOM CUSTOMER: GENERAL MARKET		DOCUMENT NUMBER: SD-34899-2001 DOC TYPE: PSD DOC PART: 001 SHEET NUMBER: 4 OF 11	
RELEASE STATUS	P1	RELEASE DATE	2020/09/15	14:05:05	D		THIRD ANGLE PROJECTION		A17		A		A		

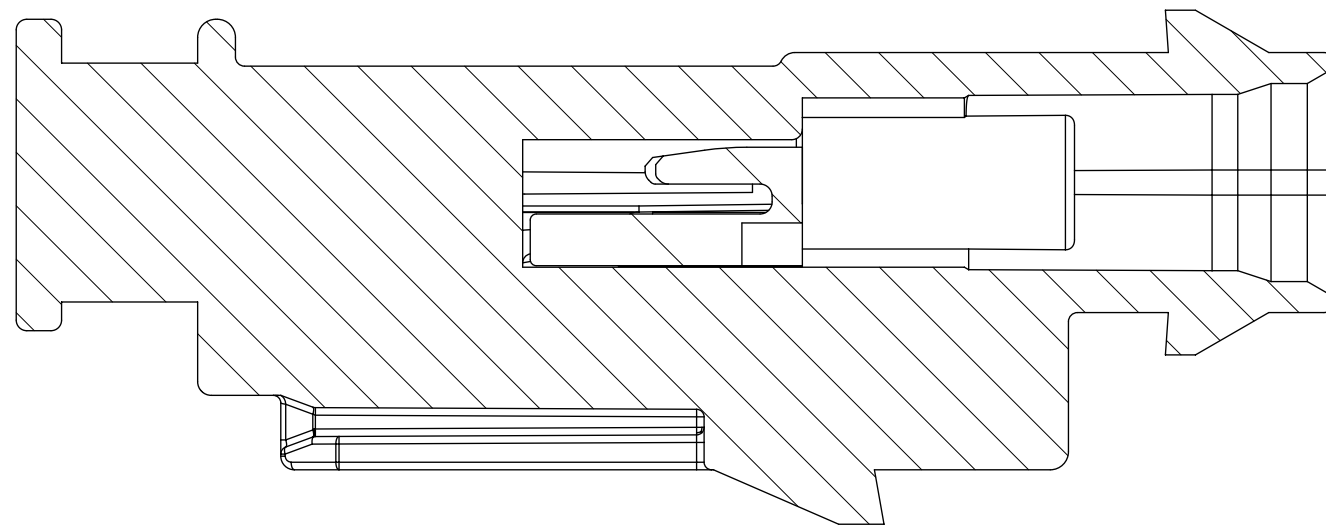
BLADE SEALED ASSEMBLY



SECOND SHARKFIN ONLY PRESENT ON 1X2 PNs



PRIMARY LOCK REINFORCEMENT (PLR) SHOWN IN THE PRE-STAGED POSITION  
SECTION W-W

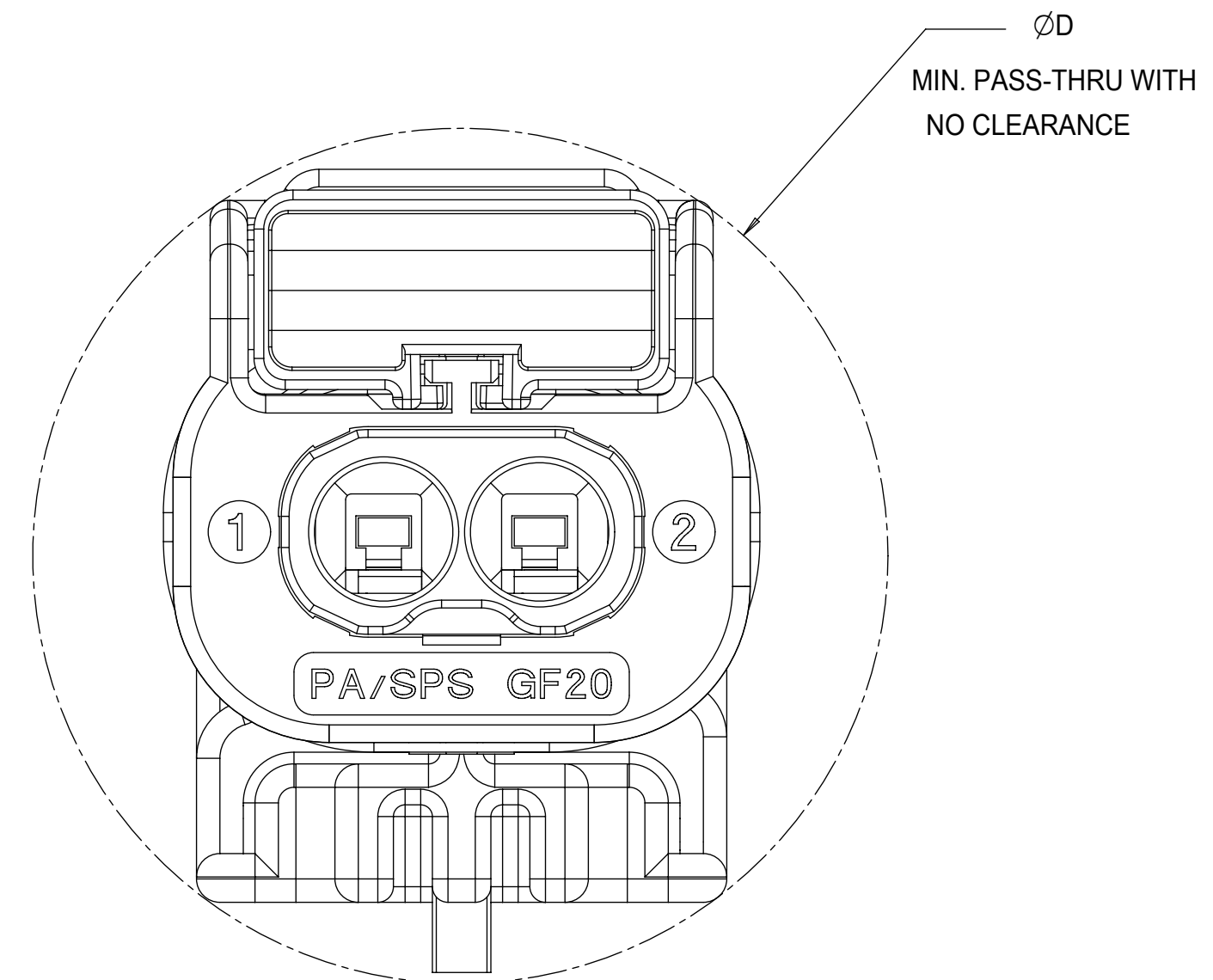
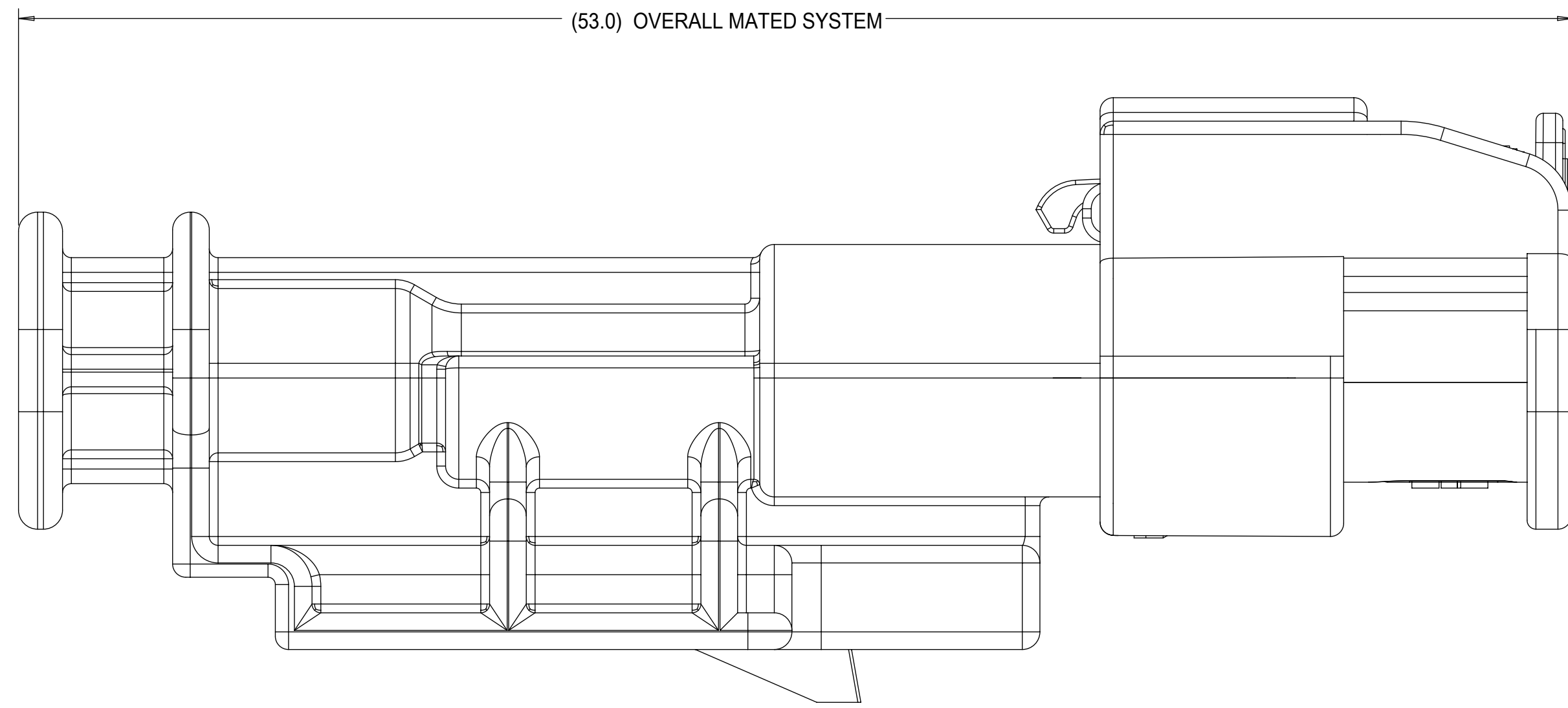


PRIMARY LOCK REINFORCEMENT (PLR) SHOWN IN THE FINAL-LOCK POSITION  
SECTION X-X

1x3 BLADE SEALED ASSEMBLY, 40G CLIP SLOT	19	16.75	21.75
1x3 BLADE SEALED ASSEMBLY, 11mm CLIP SLOT	19	14.6	20.75
1x3 BLADE SEALED ASSEMBLY, 7mm CLIP SLOT	19	17	20.5
1x2 BLADE SEALED ASSEMBLY, 40G CLIP SLOT	15	16.75	20.25
1x2 BLADE SEALED ASSEMBLY, 11mm CLIP SLOT	15	15.5	19
1x2 BLADE SEALED ASSEMBLY, 7mm CLIP SLOT	15	17	18.75
CONFIGURATION	A	B	C
CHARTED DIMENSIONS			

QUALITY SYMBOLS		THIS DRAWING CONTAINS INFORMATION THAT IS PROPRIETARY TO MOLEX ELECTRONIC TECHNOLOGIES, LLC AND SHOULD NOT BE USED WITHOUT WRITTEN PERMISSION							
▽ = 0	2020/09/11	GENERAL TOLERANCES (UNLESS SPECIFIED)	DIMENSION UNITS	SCALE	<p>1.2MM 1X2, 1X3 BLADE SEALED ASSEMBLY CABLE SEAL 639764 - REMOVED CPA3 AND REPLACED WITH CPA2 AGAIN 64</p> <p>PRODUCT CUSTOMER DRAWING</p>				
▽ = 0	2020/09/15		mm	4:1					
▽ = 0	2020/09/15	ANGULAR TOL ± 3.0 °	DRWN BY	DATE					
▽ = 0	2020/09/15	4 PLACES ±	SKRAJENDRANA	2013/11/06					
▽ = 0	2020/09/15	3 PLACES ±	CHKD BY	DATE					
▽ = 0	2020/09/15	2 PLACES ± 0.1	APPR BY	DATE					
▽ = 0	2020/09/15	1 PLACE ± 0.2	DRAWING SIZE	THIRD ANGLE PROJECTION					
▽ = 0	2020/09/15	0 PLACES ± 0.5	D						
▽ = 0	2020/09/15	DRAFT WHERE APPLICABLE MUST REMAIN WITHIN DIMENSIONS	EC NO: 645203	DRWN: GELIOTTO1	SERIES	MATERIAL NUMBER	CUSTOMER		
▽ = 0	2020/09/15		CHKD: MVANSLAMBROU	REV: APPR: MVANSLAMBROU	34899	SEE BOM	GENERAL MARKET		
▽ = 0	2020/09/15		REV: APPR: MVANSLAMBROU		DOCUMENT NUMBER	DOC TYPE	DOC PART	SHEET NUMBER	
▽ = 0	2020/09/15				A17	SD-34899-2001	PSD	001	5 OF 11

# CONNECTION SYSTEM PACKAGING



1x3 RECEPTACLE MATED TO 1x3 BLADE, 40 CLIP SLOT	TBD
1x3 RECEPTACLE MATED TO 1x3 BLADE, 11mm CLIP SLOT	24.0
1x3 RECEPTACLE MATED TO 1x3 BLADE, 7mm CLIP SLOT	23.0
1x2 RECEPTACLE MATED TO 1x2 BLADE, 40G CLIP SLOT	23.0
1x2 RECEPTACLE MATED TO 1x2 BLADE, 11mm CLIP SLOT	23.0
1x2 RECEPTACLE MATED TO 1x2 BLADE, 7mm CLIP SLOT	23.0
1.2mm CONNECTION SYSTEM CONFIGURATION	D
<b>CHARTED DIMENSIONS</b>	

<b>QUALITY SYMBOLS</b> □ = 0 ▽ = 0 ▽ = 0 ▽ = 0 ▽ = 0 ▽ = 0 ▽ = 0 ▽ = 0 ▽ = 0 ▽ = 0 ▽ = 0	THIS DRAWING CONTAINS INFORMATION THAT IS PROPRIETARY TO MOLEX ELECTRONIC TECHNOLOGIES, LLC AND SHOULD NOT BE USED WITHOUT WRITTEN PERMISSION		DIMENSION UNITS <b>mm</b>	SCALE <b>6:1</b>	
	EC NO: 645203 DRWN: GELLIOTTO1 CHKD: MVANSLAMBROU REV APPR: MVANSLAMBROU	2020/09/11 2020/09/15 2020/09/15	GENERAL TOLERANCES (UNLESS SPECIFIED) ANGULAR TOL ± 3.0 ° 4 PLACES ± 3 PLACES ± 2 PLACES ± 0.1 1 PLACE ± 0.2 0 PLACES ± 0.5 DRAFT WHERE APPLICABLE MUST REMAIN WITHIN DIMENSIONS	DRWN BY SKRAJENDRANA	
			DRWN BY SKRAJENDRANA	DATE 2013/11/06	PRODUCT CUSTOMER DRAWING
			APPR BY	DATE	SERIES 34899
			DRAWING SIZE <b>D</b>	THIRD ANGLE PROJECTION	MATERIAL NUMBER <b>SEE BOM</b>
					CUSTOMER GENERAL MARKET
					DOCUMENT NUMBER SD-34899-2001
					DOC TYPE PSD
					DOC PART 001
					SHEET NUMBER 6 OF 11



KEYING OPTION E, 11mm CLIP SLOT, STONE GRAY	34899-2043	1																		E	CONCEPT	
KEYING OPTION C, 11mm CLIP SLOT, DARK GRAY	34899-2042	1																		C	CONCEPT	
KEYING OPTION B, 11mm CLIP SLOT, LIGHT GRAY	34899-2041	1																		B	CONCEPT	
KEYING OPTION A, 11mm CLIP SLOT, BLACK	34899-2040	1																		A	CONCEPT	
KEYING OPTION E, 11mm CLIP SLOT, YELLOW	34899-2033	1																		E	CONCEPT	
KEYING OPTION C, 11mm CLIP SLOT, YELLOW	34899-2032	1																		C	CONCEPT	
KEYING OPTION B, 11mm CLIP SLOT, YELLOW	34899-2031	1																		B	CONCEPT	
KEYING OPTION A, 11mm CLIP SLOT, YELLOW	34899-2030	1																		A	CONCEPT	
KEYING OPTION E, 7mm CLIP SLOT, STONE GRAY	34899-2023	1																		E	TOOLED BUT NOT VALIDATED	
KEYING OPTION C, 7mm CLIP SLOT, DARK GRAY	34899-2022	1																		C	SALEABLE	
KEYING OPTION B, 7mm CLIP SLOT, LIGHT GRAY	34899-2021	1																		B	SALEABLE	
KEYING OPTION A, 7mm CLIP SLOT, BLACK	34899-2020	1																		A	SALEABLE	
KEYING OPTION E, 7mm CLIP SLOT, YELLOW	34899-2013	1																		E	TOOLED BUT NOT VALIDATED	
KEYING OPTION C, 7mm CLIP SLOT, YELLOW	34899-2012	1																		C	SALEABLE	
KEYING OPTION B, 7mm CLIP SLOT, YELLOW	34899-2011	1																		B	SALEABLE	
KEYING OPTION A, 7mm CLIP SLOT, YELLOW	34899-2010	1																		A	SALEABLE	
ASSEMBLY DESCRIPTION	ASSEMBLY PART NUMBER	WIRE DRESS COVER INTERFACE OPTION																			PRODUCTION TOOL STATUS	COMMENTS

1x2 BLADE SEALED ASSEMBLY BOM  
FOR WIRE DRESS COVER INTERFACE 1  
REFER WIRE DRESS COVER INTERFACE SHEET  
FOR DETAILS

	PLR	NATURAL	SPS/NYLON GF20
	1x2 CONNECTOR HOUSING, KEYING OPTION E 11mm CLIP SLOT	STONE GRAY	SPS/NYLON GF20
	1x2 CONNECTOR HOUSING, KEYING OPTION C 11mm CLIP SLOT	DARK GRAY	SPS/NYLON GF20
	1x2 CONNECTOR HOUSING, KEYING OPTION B 11mm CLIP SLOT	LIGHT GRAY	SPS/NYLON GF20
	1x2 CONNECTOR HOUSING, KEYING OPTION A 11mm CLIP SLOT	BLACK	SPS/NYLON GF20
	1x2 CONNECTOR HOUSING, KEYING OPTION E 11mm CLIP SLOT	YELLOW	SPS/NYLON GF20
	1x2 CONNECTOR HOUSING, KEYING OPTION C 11mm CLIP SLOT	YELLOW	SPS/NYLON GF20
	1x2 CONNECTOR HOUSING, KEYING OPTION B 11mm CLIP SLOT	YELLOW	SPS/NYLON GF20
	1x2 CONNECTOR HOUSING, KEYING OPTION A 11mm CLIP SLOT	YELLOW	SPS/NYLON GF20
	1x2 CONNECTOR HOUSING, KEYING OPTION E 7mm CLIP SLOT	STONE GRAY	SPS/NYLON GF20
	1x2 CONNECTOR HOUSING, KEYING OPTION C 7mm CLIP SLOT	DARK GRAY	SPS/NYLON GF20
	1x2 CONNECTOR HOUSING, KEYING OPTION B 7mm CLIP SLOT	LIGHT GRAY	SPS/NYLON GF20
	1x2 CONNECTOR HOUSING, KEYING OPTION A 7mm CLIP SLOT	BLACK	SPS/NYLON GF20
	1x2 CONNECTOR HOUSING, KEYING OPTION E 7mm CLIP SLOT	YELLOW	SPS/NYLON GF20
	1x2 CONNECTOR HOUSING, KEYING OPTION C 7mm CLIP SLOT	YELLOW	SPS/NYLON GF20
	1x2 CONNECTOR HOUSING, KEYING OPTION B 7mm CLIP SLOT	YELLOW	SPS/NYLON GF20
	1x2 CONNECTOR HOUSING, KEYING OPTION A 7mm CLIP SLOT	YELLOW	SPS/NYLON GF20
	DESCRIPTION	COLOR	MATERIAL
	BOM/APPLICABLE COMPONENTS TABLE		

ABBREVIATION	COMPONENT
A	CONNECTOR HOUSING KEYING OPTION A
B	CONNECTOR HOUSING KEYING OPTION B
C	CONNECTOR HOUSING KEYING OPTION C
E	CONNECTOR HOUSING KEYING OPTION E

QUALITY SYMBOLS		THIS DRAWING CONTAINS INFORMATION THAT IS PROPRIETARY TO MOLEX ELECTRONIC TECHNOLOGIES, LLC AND SHOULD NOT BE USED WITHOUT WRITTEN PERMISSION			
	= 0	2020/09/11	DRWN: GELIOTT01	2020/09/15	CHKD: MVANSLAMBROU
	= 0	2020/09/15	REV: APPR: MVANSLAMBROU	2020/09/15	
	= 0				
	= 0				
	= 0				
	= 0				
	= 0				
	= 0				
GENERAL TOLERANCES (UNLESS SPECIFIED)		DIMENSION UNITS	SCALE	<b>molex</b> 1.2MM 1X2, 1X3 BLADE SEALED ASSEMBLY CABLE SEAL 639764 - REMOVED CPA3 AND REPLACED WITH CPA2 AGAIN 64	
ANGULAR TOL ± 3.0 °		mm	2:1		
4 PLACES ±		DRWN BY	DATE	SKRAJENDRANA 2013/11/06	
3 PLACES ±		CHKD BY	DATE		
2 PLACES ± 0.1		APPR BY	DATE		
1 PLACE ± 0.2					
0 PLACES ± 0.5					
DRAFT WHERE APPLICABLE MUST REMAIN WITHIN DIMENSIONS		DRAWING SIZE	THIRD ANGLE PROJECTION		
		D			
EC NO: 645203		SERIES	MATERIAL NUMBER	CUSTOMER	
A17		34899	SEE BOM	GENERAL MARKET	
		DOCUMENT NUMBER	DOC TYPE	DOC PART	SHEET NUMBER
		SD-34899-2001	PSD	001	8 OF 11



1x2 BLADE SEALED ASSEMBLY BOM  
 FOR WIRE DRESS COVER INTERFACE 2  
 REFER WIRE DRESS COVER INTERFACE SHEET  
 FOR DETAILS

KEYING OPTION A, 40G CLIP SLOT, BLACK	34899-2060	2										A	OK TO TOOL	
KEYING OPTION A, 40G CLIP SLOT, YELLOW	34899-2050	2										A	OK TO TOOL	
KEYING OPTION E, 7mm CLIP SLOT, STONE GRAY	34899-2083	2										E	OK TO TOOL	
KEYING OPTION C, 7mm CLIP SLOT, DARK GRAY	34899-2082	2										C	SALEABLE	
KEYING OPTION B, 7mm CLIP SLOT, LIGHT GRAY	34899-2081	2										B	SALEABLE	
KEYING OPTION A, 7mm CLIP SLOT, BLACK	34899-2080	2										A	SALEABLE	
KEYING OPTION E, 7mm CLIP SLOT, YELLOW	34899-2073	2										E	OK TO TOOL	
KEYING OPTION C, 7mm CLIP SLOT, YELLOW	34899-2072	2										C	SALEABLE	
KEYING OPTION B, 7mm CLIP SLOT, YELLOW	34899-2071	2										B	SALEABLE	
KEYING OPTION A, 7mm CLIP SLOT, YELLOW	34899-2070	2										A	SALEABLE	

ASSEMBLY DESCRIPTION	ASSEMBLY PART NUMBER	WIRE DRESS COVER INTERFACE OPTION	PRODUCTION TOOL STATUS	COMMENTS
----------------------	----------------------	-----------------------------------	------------------------	----------

DESCRIPTION	COLOR	MATERIAL
BOM/APPLICABLE COMPONENTS TABLE		
PLR		
1x2 CONNECTOR HOUSING, KEYING OPTION A 40G CLIP SLOT	BLACK	SPS/NYLON GF20
1x2 CONNECTOR HOUSING, KEYING OPTION A 40G CLIP SLOT	YELLOW	SPS/NYLON GF20
1x2 CONNECTOR HOUSING, KEYING OPTION E 7mm CLIP SLOT	STONE GRAY	SPS/NYLON GF20
1x2 CONNECTOR HOUSING, KEYING OPTION C 7mm CLIP SLOT	DARK GRAY	SPS/NYLON GF20
1x2 CONNECTOR HOUSING, KEYING OPTION B 7mm CLIP SLOT	LIGHT GRAY	SPS/NYLON GF20
1x2 CONNECTOR HOUSING, KEYING OPTION A 7mm CLIP SLOT	BLACK	SPS/NYLON GF20
1x2 CONNECTOR HOUSING, KEYING OPTION E 7mm CLIP SLOT	YELLOW	SPS/NYLON GF20
1x2 CONNECTOR HOUSING, KEYING OPTION C 7mm CLIP SLOT	YELLOW	SPS/NYLON GF20
1x2 CONNECTOR HOUSING, KEYING OPTION B 7mm CLIP SLOT	YELLOW	SPS/NYLON GF20
1x2 CONNECTOR HOUSING, KEYING OPTION A 7mm CLIP SLOT	YELLOW	SPS/NYLON GF20

ABBREVIATION	COMPONENT
A	CONNECTOR HOUSING KEYING OPTION A
B	CONNECTOR HOUSING KEYING OPTION B
C	CONNECTOR HOUSING KEYING OPTION C
E	CONNECTOR HOUSING KEYING OPTION E

QUALITY SYMBOLS 	THIS DRAWING CONTAINS INFORMATION THAT IS PROPRIETARY TO MOLEX ELECTRONIC TECHNOLOGIES, LLC AND SHOULD NOT BE USED WITHOUT WRITTEN PERMISSION														
	EC NO: 645203 DRWN: GELLIOTTO1 CHKD: MVANSLAMBROU REV APPR: MVANSLAMBROU	GENERAL TOLERANCES (UNLESS SPECIFIED) DIMENSION UNITS: mm SCALE:				DRWN BY: SKRAJENDRANA DATE: 2013/11/06									
		ANGULAR TOL ± 3.0 °				CHKD BY:									
		4 PLACES ± 3 PLACES ± 2 PLACES ± 0.1 1 PLACE ± 0.2 0 PLACES ± 0.5				APPR BY:									
	DRAFT WHERE APPLICABLE MUST REMAIN WITHIN DIMENSIONS				DRAWING SIZE: D THIRD ANGLE PROJECTION				PRODUCT CUSTOMER DRAWING						
	SERIES: 34899			MATERIAL NUMBER: SEE BOM			CUSTOMER: GENERAL MARKET			DOCUMENT NUMBER: SD-34899-2001			DOC TYPE: PSD		
	DOC PART: 001			SHEET NUMBER: 9 OF 11			RELEASE STATUS: P1			RELEASE DATE: 2020/09/15 14:05:05					

# 1x3 BLADE SEALED ASSEMBLY BOM FOR WIRE DRESS COVER INTERFACE 1 REFER WIRE DRESS COVER INTERFACE SHEET FOR DETAILS

KEYING OPTION D, 11mm CLIP SLOT, STONE GRAY	34899-3043	1																D	TOOLED BUT NOT VALIDATED		EM-34899-3033
KEYING OPTION C, 11mm CLIP SLOT, DARK GRAY	34899-3042	1																C	TOOLED BUT NOT VALIDATED		EM-34899-3032
KEYING OPTION B, 11mm CLIP SLOT, LIGHT GRAY	34899-3041	1																B	SALEABLE		EM-34899-3031
KEYING OPTION A, 11mm CLIP SLOT, BLACK	34899-3040	1																A	SALEABLE		EM-34899-3030
KEYING OPTION D, 11mm CLIP SLOT, YELLOW	34899-3033	1																D	TOOLED BUT NOT VALIDATED		EM-34899-3033
KEYING OPTION C, 11mm CLIP SLOT, YELLOW	34899-3032	1																C	TOOLED BUT NOT VALIDATED		EM-34899-3032
KEYING OPTION B, 11mm CLIP SLOT, YELLOW	34899-3031	1																B	OBSOLETE		EM-34899-3031
KEYING OPTION A, 11mm CLIP SLOT, YELLOW	34899-3030	1																A	SALEABLE		EM-34899-3030
KEYING OPTION D, 7mm CLIP SLOT, STONE GRAY	34899-3023	1																D	TOOLED BUT NOT VALIDATED		EM-34899-3013
KEYING OPTION C, 7mm CLIP SLOT, DARK GRAY	34899-3022	1																C	TOOLED BUT NOT VALIDATED		EM-34899-3012
KEYING OPTION B, 7mm CLIP SLOT, LIGHT GRAY	34899-3021	1																B	SALEABLE		EM-34899-3011
KEYING OPTION A, 7mm CLIP SLOT, BLACK	34899-3020	1																A	SALEABLE		EM-34899-3010
KEYING OPTION D, 7mm CLIP SLOT, YELLOW	34899-3013	1																D	TOOLED BUT NOT VALIDATED		EM-34899-3013
KEYING OPTION C, 7mm CLIP SLOT, YELLOW	34899-3012	1																C	TOOLED BUT NOT VALIDATED		EM-34899-3012
KEYING OPTION B, 7mm CLIP SLOT, YELLOW	34899-3011	1																B	OBSOLETE		EM-34899-3011
KEYING OPTION A, 7mm CLIP SLOT, YELLOW	34899-3010	1																A	SALEABLE		EM-34899-3010
<b>ASSEMBLY DESCRIPTION</b>	<b>ASSEMBLY PART NUMBER</b>	<b>WIRE DRESS COVER INTERFACE OPTION</b>																	<b>PRODUCTION TOOL STATUS</b>	<b>COMMENTS</b>	<b>MODEL NUMBER</b>

PLR	COLOR	MATERIAL
1x3 CONNECTOR HOUSING, KEYING OPTION D 11mm CLIP SLOT	STONE GRAY	SPS/NYLON GF20
1x3 CONNECTOR HOUSING, KEYING OPTION C 11mm CLIP SLOT	DARK GRAY	SPS/NYLON GF20
1x3 CONNECTOR HOUSING, KEYING OPTION B 11mm CLIP SLOT	LIGHT GRAY	SPS/NYLON GF20
1x3 CONNECTOR HOUSING, KEYING OPTION A 11mm CLIP SLOT	BLACK	SPS/NYLON GF20
1x3 CONNECTOR HOUSING, KEYING OPTION D 11mm CLIP SLOT	YELLOW	SPS/NYLON GF20
1x3 CONNECTOR HOUSING, KEYING OPTION C 11mm CLIP SLOT	YELLOW	SPS/NYLON GF20
1x3 CONNECTOR HOUSING, KEYING OPTION B 11mm CLIP SLOT	YELLOW	SPS/NYLON GF20
1x3 CONNECTOR HOUSING, KEYING OPTION A 11mm CLIP SLOT	YELLOW	SPS/NYLON GF20
1x3 CONNECTOR HOUSING, KEYING OPTION D 7mm CLIP SLOT	STONE GRAY	SPS/NYLON GF20
1x3 CONNECTOR HOUSING, KEYING OPTION C 7mm CLIP SLOT	DARK GRAY	SPS/NYLON GF20
1x3 CONNECTOR HOUSING, KEYING OPTION B 7mm CLIP SLOT	LIGHT GRAY	SPS/NYLON GF20
1x3 CONNECTOR HOUSING, KEYING OPTION A 7mm CLIP SLOT	BLACK	SPS/NYLON GF20
1x3 CONNECTOR HOUSING, KEYING OPTION D 7mm CLIP SLOT	YELLOW	SPS/NYLON GF20
1x3 CONNECTOR HOUSING, KEYING OPTION C 7mm CLIP SLOT	YELLOW	SPS/NYLON GF20
1x3 CONNECTOR HOUSING, KEYING OPTION B 7mm CLIP SLOT	YELLOW	SPS/NYLON GF20
1x3 CONNECTOR HOUSING, KEYING OPTION A 7mm CLIP SLOT	YELLOW	SPS/NYLON GF20

DESCRIPTION	COLOR	MATERIAL
BOM/APPLICABLE COMPONENTS TABLE		

LEGEND TABLE	
ABREVIATION	COMPONENT
A	CONNECTOR HOUSING KEYING OPTION A
B	CONNECTOR HOUSING KEYING OPTION B
C	CONNECTOR HOUSING KEYING OPTION C
D	CONNECTOR HOUSING KEYING OPTION D

QUALITY SYMBOLS	THIS DRAWING CONTAINS INFORMATION THAT IS PROPRIETARY TO MOLEX ELECTRONIC TECHNOLOGIES, LLC AND SHOULD NOT BE USED WITHOUT WRITTEN PERMISSION				
	EC NO: 645203 DRWN: GELIOTT01 CHKD: MVANSLAMBROU REV APPR: MVANSLAMBROU	2020/09/15 2020/09/15 2020/09/15	GENERAL TOLERANCES (UNLESS SPECIFIED)	DIMENSION UNITS	
			ANGULAR TOL ± 3.0 °	SCALE	
			4 PLACES ±	mm	DRWN BY
			3 PLACES ±	SKRAJENDRANA	DATE
			2 PLACES ± 0.1	CHKD BY	DATE
			1 PLACE ± 0.2	APPR BY	DATE
	0 PLACES ± 0.5	DRAFT WHERE APPLICABLE MUST REMAIN WITHIN DIMENSIONS	DRAWING SIZE		
			THIRD ANGLE PROJECTION		

1.2MM 1X2, 1X3 BLADE  
SEALED ASSEMBLY CABLE SEAL 639764 - REMOVED  
CPA3 AND REPLACED WITH CPA2 AGAIN 64

PRODUCT CUSTOMER DRAWING

SERIES	MATERIAL NUMBER	CUSTOMER
34899	SEE BOM	GENERAL MARKET

DOCUMENT NUMBER	DOC TYPE	DOC PART	SHEET NUMBER
SD-34899-2001	PSD	001	10 OF 11

KEYING OPTION A, 40-G CLIP SLOT, BLACK	34899-3060	2																		A	CONCEPT	EM-34899-3050	
KEYING OPTION A, 40-G CLIP SLOT, YELLOW	34899-3050	2																		A	CONCEPT	EM-34899-3050	
KEYING OPTION D, 11mm CLIP SLOT, STONE GRAY	34899-3123	2																		D	OK TO TOOL	EM-34899-3033	
KEYING OPTION C, 11mm CLIP SLOT, DARK GRAY	34899-3122	2																		C	OK TO TOOL	EM-34899-3032	
KEYING OPTION B, 11mm CLIP SLOT, LIGHT GRAY	34899-3121	2																		B	SALEABLE	EM-34899-3031	
KEYING OPTION A, 11mm CLIP SLOT, BLACK	34899-3120	2																		A	SALEABLE	EM-34899-3030	
KEYING OPTION D, 11mm CLIP SLOT, YELLOW	34899-3113	2																		D	OK TO TOOL	EM-34899-3033	
KEYING OPTION C, 11mm CLIP SLOT, YELLOW	34899-3112	2																		C	OK TO TOOL	EM-34899-3032	
KEYING OPTION B, 11mm CLIP SLOT, YELLOW	34899-3111	2																		B	SALEABLE	EM-34899-3031	
KEYING OPTION A, 11mm CLIP SLOT, YELLOW	34899-3110	2																		A	SALEABLE	EM-34899-3030	
KEYING OPTION D, 7mm CLIP SLOT, STONE GRAY	34899-3083	2																		D	OK TO TOOL	EM-34899-3073	
KEYING OPTION C, 7mm CLIP SLOT, DARK GRAY	34899-3082	2																		C	OK TO TOOL	EM-34899-3072	
KEYING OPTION B, 7mm CLIP SLOT, LIGHT GRAY	34899-3081	2																		B	SALEABLE	EM-34899-3071	
KEYING OPTION A, 7mm CLIP SLOT, BLACK	34899-3080	2																		A	SALEABLE	EM-34899-3070	
KEYING OPTION D, 7mm CLIP SLOT, YELLOW	34899-3073	2																		D	OK TO TOOL	EM-34899-3073	
KEYING OPTION C, 7mm CLIP SLOT, YELLOW	34899-3072	2																		C	OK TO TOOL	EM-34899-3072	
KEYING OPTION B, 7mm CLIP SLOT, YELLOW	34899-3071	2																		B	SALEABLE	EM-34899-3071	
KEYING OPTION A, 7mm CLIP SLOT, YELLOW	34899-3070	2																		A	SALEABLE	EM-34899-3070	
ASSEMBLY DESCRIPTION	ASSEMBLY PART NUMBER	WIRE DRESS COVER INTERFACE OPTION																			PRODUCTION TOOL STATUS	COMMENTS	MODEL NUMBER

1x3 BLADE SEALED ASSEMBLY BOM  
FOR WIRE DRESS COVER INTERFACE 2  
REFER WIRE DRESS COVER INTERFACE SHEET  
FOR DETAILS

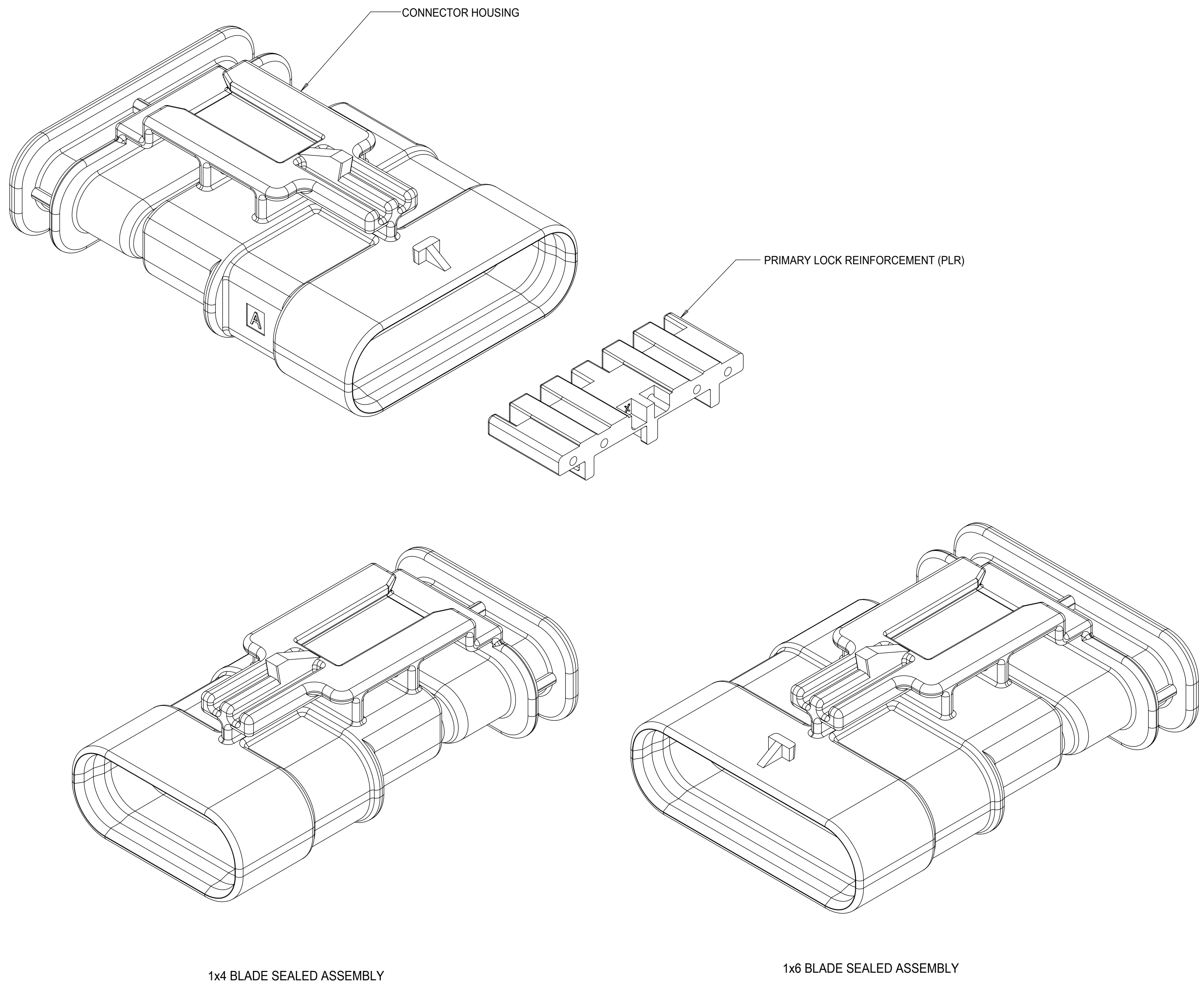
PLR		
DESCRIPTION	COLOR	MATERIAL
1x3 CONNECTOR HOUSING, KEYING OPTION A 40G CLIP SLOT	BLACK	SPS/NYLON GF20
1x3 CONNECTOR HOUSING, KEYING OPTION A 40G CLIP SLOT	YELLOW	SPS/NYLON GF20
1x3 CONNECTOR HOUSING, KEYING OPTION D 11mm CLIP SLOT	STONE GRAY	SPS/NYLON GF20
1x3 CONNECTOR HOUSING, KEYING OPTION C 11mm CLIP SLOT	DARK GRAY	SPS/NYLON GF20
1x3 CONNECTOR HOUSING, KEYING OPTION B 11mm CLIP SLOT	LIGHT GRAY	SPS/NYLON GF20
1x3 CONNECTOR HOUSING, KEYING OPTION A 11mm CLIP SLOT	BLACK	SPS/NYLON GF20
1x3 CONNECTOR HOUSING, KEYING OPTION D 11mm CLIP SLOT	YELLOW	SPS/NYLON GF20
1x3 CONNECTOR HOUSING, KEYING OPTION C 11mm CLIP SLOT	YELLOW	SPS/NYLON GF20
1x3 CONNECTOR HOUSING, KEYING OPTION B 11mm CLIP SLOT	YELLOW	SPS/NYLON GF20
1x3 CONNECTOR HOUSING, KEYING OPTION A 11mm CLIP SLOT	YELLOW	SPS/NYLON GF20
1x3 CONNECTOR HOUSING, KEYING OPTION D 7mm CLIP SLOT	STONE GRAY	SPS/NYLON GF20
1x3 CONNECTOR HOUSING, KEYING OPTION C 7mm CLIP SLOT	DARK GRAY	SPS/NYLON GF20
1x3 CONNECTOR HOUSING, KEYING OPTION B 7mm CLIP SLOT	LIGHT GRAY	SPS/NYLON GF20
1x3 CONNECTOR HOUSING, KEYING OPTION A 7mm CLIP SLOT	BLACK	SPS/NYLON GF20
1x3 CONNECTOR HOUSING, KEYING OPTION D 7mm CLIP SLOT	YELLOW	SPS/NYLON GF20
1x3 CONNECTOR HOUSING, KEYING OPTION C 7mm CLIP SLOT	YELLOW	SPS/NYLON GF20
1x3 CONNECTOR HOUSING, KEYING OPTION B 7mm CLIP SLOT	YELLOW	SPS/NYLON GF20
1x3 CONNECTOR HOUSING, KEYING OPTION A 7mm CLIP SLOT	YELLOW	SPS/NYLON GF20
DESCRIPTION	COLOR	MATERIAL
BOM/APPLICABLE COMPONENTS TABLE		

ABBREVIATION	COMPONENT
A	CONNECTOR HOUSING KEYING OPTION A
B	CONNECTOR HOUSING KEYING OPTION B
C	CONNECTOR HOUSING KEYING OPTION C
D	CONNECTOR HOUSING KEYING OPTION D

THIS DRAWING CONTAINS INFORMATION THAT IS PROPRIETARY TO MOLEX ELECTRONIC TECHNOLOGIES, LLC AND SHOULD NOT BE USED WITHOUT WRITTEN PERMISSION										
QUALITY SYMBOLS	DRWN BY: GELIOTT01	DATE: 2020/09/15	GENERAL TOLERANCES (UNLESS SPECIFIED)	DIMENSION UNITS	SCALE	<p>1.2MM 1X2, 1X3 BLADE SEALED ASSEMBLY CABLE SEAL 639764 - REMOVED CPA3 AND REPLACED WITH CPA2 AGAIN 64</p> <p>PRODUCT CUSTOMER DRAWING</p>				
▽ = 0	CHKD BY: MVANSLAMBROU	DATE: 2020/09/15	ANGULAR TOL ± 3.0 °	mm						
▽ = 0	DRWN: GELIOTT01	DATE: 2020/09/15	4 PLACES ±	SKRAJENDRANA	2013/11/06					
▽ = 0	CHKD: MVANSLAMBROU	DATE: 2020/09/15	3 PLACES ±	CHKD BY:	DATE:					
▽ = 0	REV: APPR: MVANSLAMBROU	DATE: 2020/09/15	2 PLACES ± 0.1	APPR BY:	DATE:	SERIES: 34899				
▽ = 0			1 PLACE ± 0.2			MATERIAL NUMBER: SEE BOM				
▽ = 0			0 PLACES ± 0.5			CUSTOMER: GENERAL MARKET				
▽ = 0			DRAFT WHERE APPLICABLE MUST REMAIN WITHIN DIMENSIONS	DRAWING SIZE: D	THIRD ANGLE PROJECTION	DOCUMENT NUMBER: SD-34899-2001		DOC TYPE: PSD	DOC PART: 001	SHEET NUMBER: 11 OF 11

TABLE OF CONTENTS

SHEET NO.	SHEET DESCRIPTION
1	NOTES
2	1x4 BLADE SEALED ASSEMBLY KEYING CONFIGURATIONS
3	1x6 BLADE SEALED ASSEMBLY KEYING CONFIGURATIONS
4	CLIP-SLOT CONFIGURATIONS
5	BLADE SEALED ASSEMBLY
6	CONNECTION SYSTEM PACKAGING
7	WIRE DRESS COVER INTERFACE OPTIONS
8	1x4 BLADE SEALED ASSEMBLY BOM INTERFACE OPTION 1
9	1x4 BLADE SEALED ASSEMBLY BOM INTERFACE OPTION 2
10	1x6 BLADE SEALED ASSEMBLY BOM INTERFACE OPTION 1
11	1x6 BLADE SEALED ASSEMBLY BOM INTERFACE OPTION 2



1x4 BLADE SEALED ASSEMBLY

1x6 BLADE SEALED ASSEMBLY

NOTES: VALID UNLESS OTHERWISE SPECIFIED

1. GENERAL:
  - a. APPLICATION SPECIFICATION SEE: AS-34900-0001  
CONTAINS: PRODUCT INTRODUCTION, PRODUCT SUMMARY, CONNECTOR ASSEMBLY, PACKAGING INFORMATION, CONNECTOR MATING, SERVICE INSTRUCTIONS, ELECTRICAL CONTINUITY CHECKING, CRIMPING, AND TROUBLESHOOTING.
  - b. PRODUCT SPECIFICATION SEE: PS-34900-0001  
CONTAINS: PRODUCT INTRODUCTION, PRODUCT SUMMARY, RATINGS (CURRENT, TEMPERATURE, SEALING, AND FLAMMABILITY), AND PRODUCT VALIDATION.
  - c. PACKAGING SPECIFICATION PER MOLEX DRAWING: PK-31301-898
  - d. PARTS MUST BE IN COMPLIANCE TO MOLEX CHEMICAL SUBSTANCES FOR PRODUCTS AND PACKAGING SPECIFICATION: QEHS-699000-301
  - e. DATA MUST BE SUBMITTED UNDER THE MOLEX PART NUMBER TO IMDS (COMPANY ID#13255)
2. DESIGN - MATERIALS:
  - a. SEE BOM TABLE
3. DESIGN - GEOMETRY:
  - a. THIS IS A 100% CAD GENERATED PART. THE CAD MATHEMATICAL DATA IS THE MASTER FOR THIS PART. FOR DIMENSIONAL OR ANY INFORMATION NOT SHOWN ON THIS DRAWING, ANALYZE THE CAD MODEL.
  - b. GEOMETRIC DIMENSIONS AND TOLERANCES PER ASME Y14.5M - 1994
  - c. EDGES AND UNDIMENSIONED DETAILS PER ISO13715
  - d. CORNERS SHOWN AS SHARP TO BE R 0.2 MAX.
  - e. LETTERING SHALL BE 0.15 MAX RAISED IN 0.25 MAX RECESS PAD. THIS INCLUDES RECYCLING CODE, CAVITY ID, VENDOR IDENTIFICATION, AND CUSTOMER MATERIAL NUMBER.
  - f. VISUAL DEFECTS SHALL MEET COSMETIC STANDARD PS-45499-002 (Class B) CAD MODEL.
  - g. LASER MARKING:
    1. PART NUMBER
    2. DAY OF THE YEAR
    3. SHIFT
    4. YEAR

INSPECTION BALLOON NUMBER LOG

PER DRAWING REVISION: B12

LAST BALLOON NUMBER USED: WDC2-10

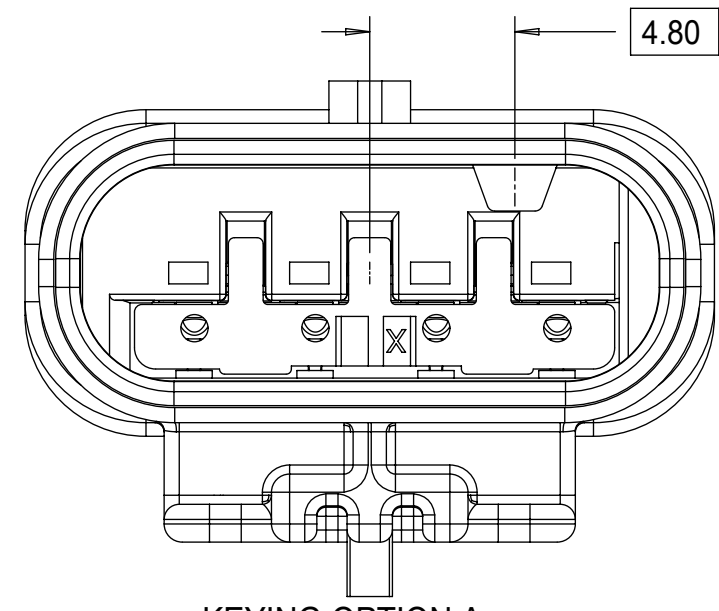
ADDED BALLON NUMBERS: WDC2-1 - WDC2-10

REMOVED BALLON NUMBERS:

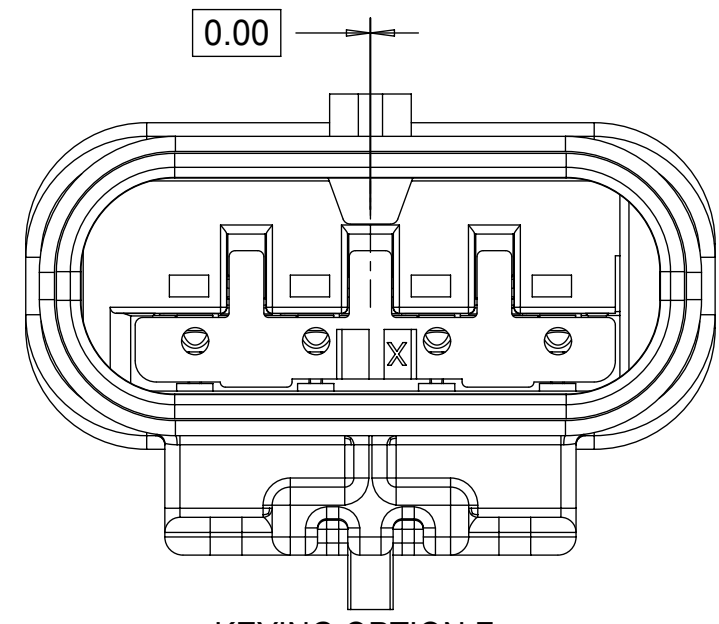
B17	ADDED NOTE ON SHARKFIN PRESENCE
B16	NX-REMASTERING FROM MODEL MANAGER CHANGED PN STATUSES TO OBSOLETE
B15	UPDATED BALLOONS 2-1 & 2-2 ON SHEET 7
B14	UPDATED PARTS TO SALEABLE
B13	RELEASED PRIMARY KEYS NON-SIR SALEABLE
B12	UPDATED PLR LOCK UP GEOMETRY
B11	UPDATED WDC INTERFACE PART# TO TOOLED BUT NOT VALIDATED
B10	UPDATED TOLERANCES WDC FEATURES
B9	1X4, 1X6 PART # WIRE DRESS COVER INTERFACE FEATURES OK TO TOOL
B8	1X4 40G CLIP-SLOT OK TO TOOL
B7	1X4 PART # UPDATED TO "TOOLED BUT NOT VALIDATED"
B6	ADDED 40G CLIP-SLOT PART NUMBERS
B5	BOM CORRECTIONS AND UPDATES
B4	BOM CORRECTIONS AND UPDATES
B3	1x4, 1x6 NON-SIR PART# OK TO TOOL
B2	1x6 11mm CLIP SLOT PART # OK TO TOOL
B1	1x6 11mm CLIP SLOT PART NUMBERS ADDED
B	ADDED 1x4 INFORMATION
A	OK TO TOOL

QUALITY SYMBOLS □ = 0 ▽ = 0 ▽ = 0 ▽ = 0 ▽ = 0 ▽ = 0 ▽ = 0 ▽ = 0 ▽ = 0 ▽ = 0 ▽ = 0 ▽ = 0	THIS DRAWING CONTAINS INFORMATION THAT IS PROPRIETARY TO MOLEX ELECTRONIC TECHNOLOGIES, LLC AND SHOULD NOT BE USED WITHOUT WRITTEN PERMISSION		REV	DESCRIPTION	
	EC NO: 645203 DRWN: GELIOTT01 CHKD: MVANSLAMBROU APPR: MVANSLAMBROU	2020/09/11 2020/09/15 2020/09/15	GENERAL TOLERANCES (UNLESS SPECIFIED) ANGULAR TOL ± 3.0 ° 4 PLACES ± 3 PLACES ± 2 PLACES ± 0.1 1 PLACE ± 0.2 0 PLACES ± 0.5 DRAFT WHERE APPLICABLE MUST REMAIN WITHIN DIMENSIONS	DIMENSION UNITS: mm SCALE: 4:1 DRWN BY: MVANSLAMBROU DATE: 2012/07/13 CHKD BY: VKOSHY DATE: 2012/07/19 APPR BY: VKOSHY DATE: 2012/07/24	molex® 1.2MM 1X4, 1X6 BLADE SEALED ASSEMBLY CABLE SEAL 639764 - REMOVED CPA3 AND REPLACED WITH CPA2 AGAIN 64 PRODUCT CUSTOMER DRAWING
	B17	D	THIRD ANGLE PROJECTION	SERIES: 34899 MATERIAL NUMBER: SEE BOM CUSTOMER: GENERAL MARKET	DOCUMENT NUMBER: SD-34899-6001 DOC TYPE: PSD DOC PART: 001 SHEET NUMBER: 1 OF 11
	RELEASE STATUS: P1 RELEASE DATE: 2020/09/15 14:05:24				

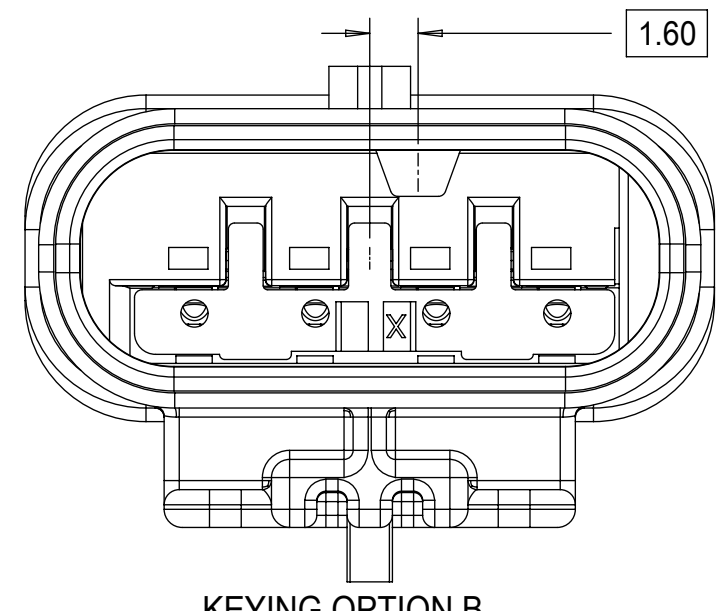
1x4 BLADE SEALED ASSEMBLY KEYING CONFIGURATIONS. FOR PART NUMBERS REFER TO BOM SHEET.



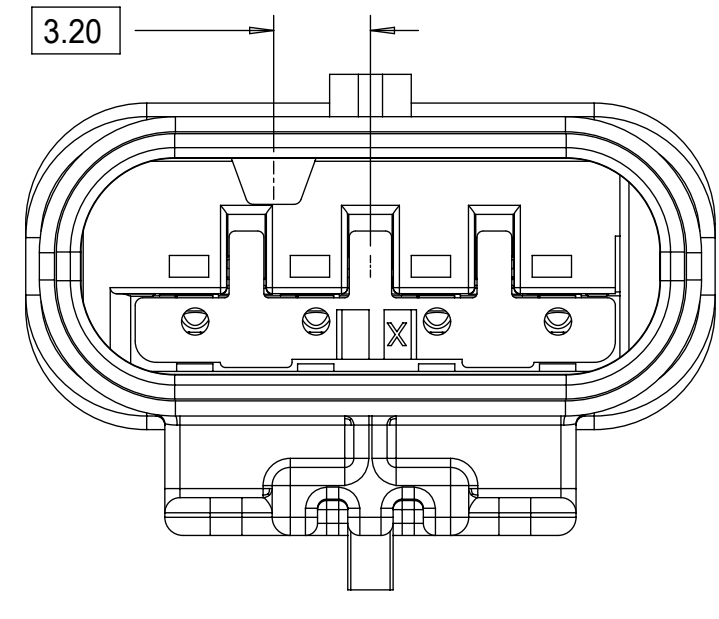
KEYING OPTION A



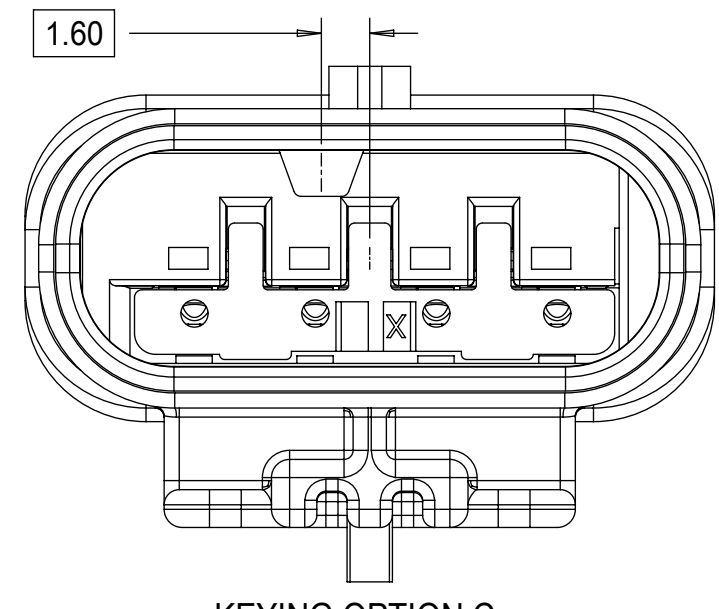
KEYING OPTION F



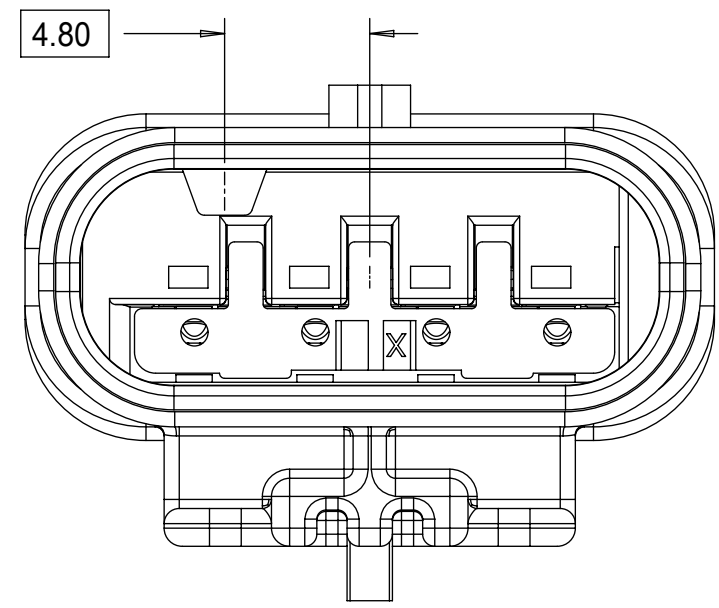
KEYING OPTION B



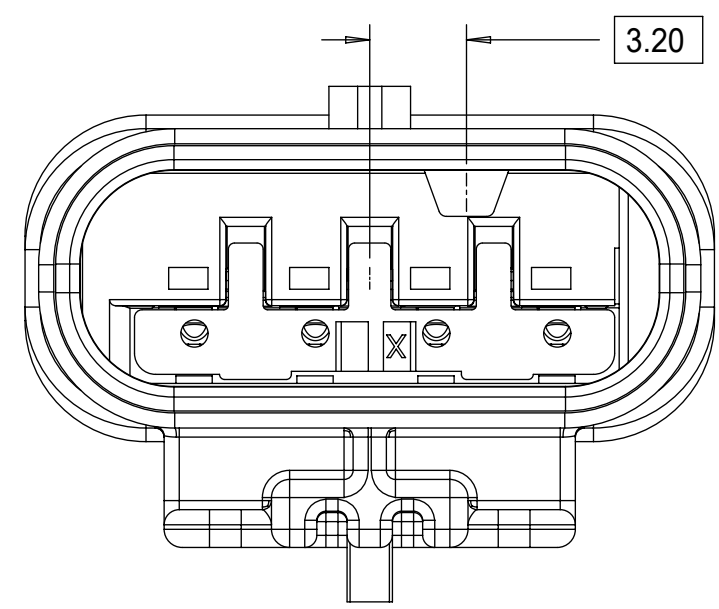
KEYING OPTION G



KEYING OPTION C



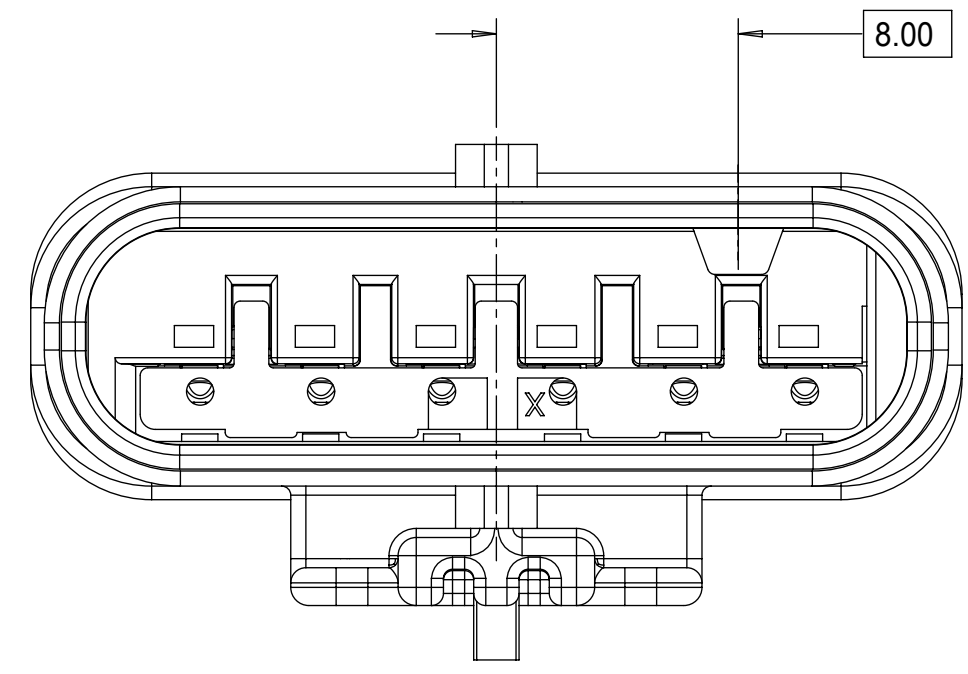
KEYING OPTION D



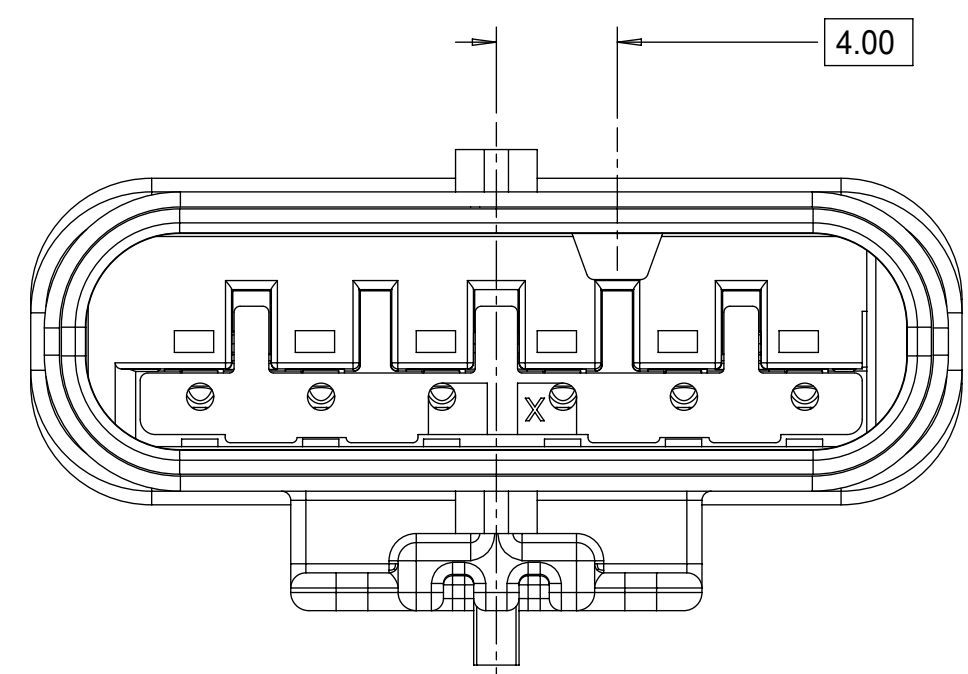
KEYING OPTION E

<b>QUALITY SYMBOLS</b> □ = 0 ▽ = 0 ▽ = 0 ▽ = 0 ▽ = 0 ▽ = 0 ▽ = 0 ▽ = 0 ▽ = 0 ▽ = 0 ▽ = 0	THIS DRAWING CONTAINS INFORMATION THAT IS PROPRIETARY TO MOLEX ELECTRONIC TECHNOLOGIES, LLC AND SHOULD NOT BE USED WITHOUT WRITTEN PERMISSION										
	EC NO: 645203	DRWN: GELIOTT01	CHKD: MVANSLAMBROU	APPR: MVANSLAMBROU	2020/09/11	2020/09/15	2020/09/15	2020/09/15	GENERAL TOLERANCES (UNLESS SPECIFIED)	DIMENSION UNITS	SCALE
					4 PLACES ±		ANGULAR TOL ± 3.0 °		mm		4:1
					3 PLACES ±		0 PLACES ± 0.5		DRWN BY	DATE	
					2 PLACES ± 0.1		1 PLACE ± 0.2		MVANSLAMBROU	2012/07/13	
					1 PLACE ± 0.2		0 PLACES ± 0.5		CHKD BY	DATE	
					DRAFT WHERE APPLICABLE MUST REMAIN WITHIN DIMENSIONS		DRAFT WHERE APPLICABLE MUST REMAIN WITHIN DIMENSIONS		VKOSHY	2012/07/19	
					DRAFT WHERE APPLICABLE MUST REMAIN WITHIN DIMENSIONS		DRAFT WHERE APPLICABLE MUST REMAIN WITHIN DIMENSIONS		APPR BY	DATE	
					DRAFT WHERE APPLICABLE MUST REMAIN WITHIN DIMENSIONS		DRAFT WHERE APPLICABLE MUST REMAIN WITHIN DIMENSIONS		VKOSHY	2012/07/24	
					DRAFT WHERE APPLICABLE MUST REMAIN WITHIN DIMENSIONS		DRAFT WHERE APPLICABLE MUST REMAIN WITHIN DIMENSIONS		DRAWING SIZE	THIRD ANGLE PROJECTION	
RELEASE STATUS		P1	RELEASE DATE	2020/09/15	14:05:24						
								1.2MM 1X4, 1X6 BLADE SEALED ASSEMBLY CABLE SEAL 639764 - REMOVED CPA3 AND REPLACED WITH CPA2 AGAIN 64			
								PRODUCT CUSTOMER DRAWING			
								SERIES	MATERIAL NUMBER	CUSTOMER	
								34899	SEE BOM	GENERAL MARKET	
								DOCUMENT NUMBER	DOC TYPE	DOC PART SHEET NUMBER	
								SD-34899-6001	PSD	001 2 OF 11	

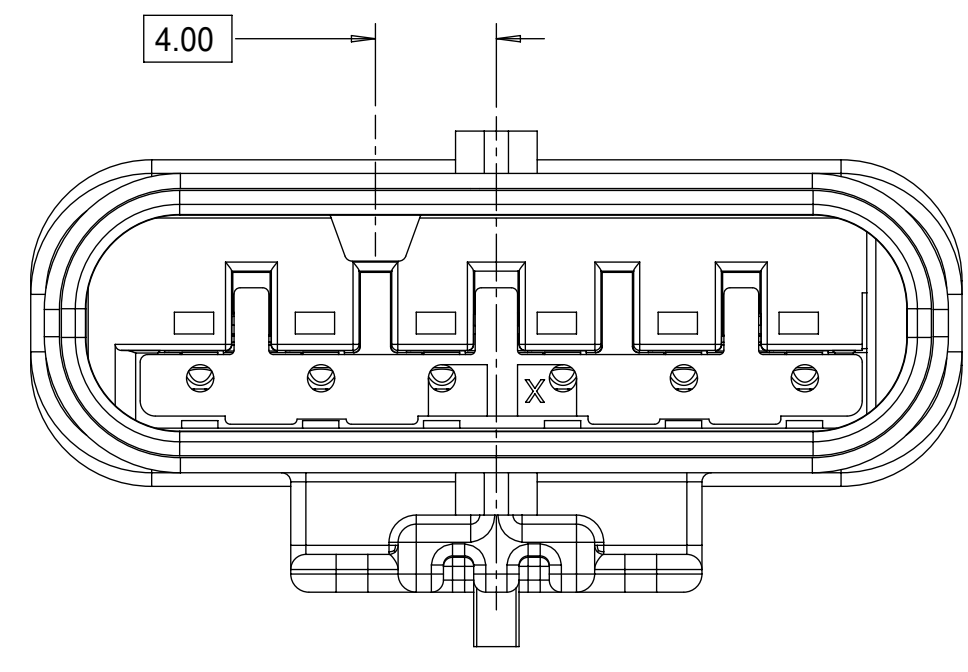
1x6 BLADE SEALED ASSEMBLY KEYING CONFIGURATIONS. FOR PART NUMBERS REFER TO BOM SHEET.



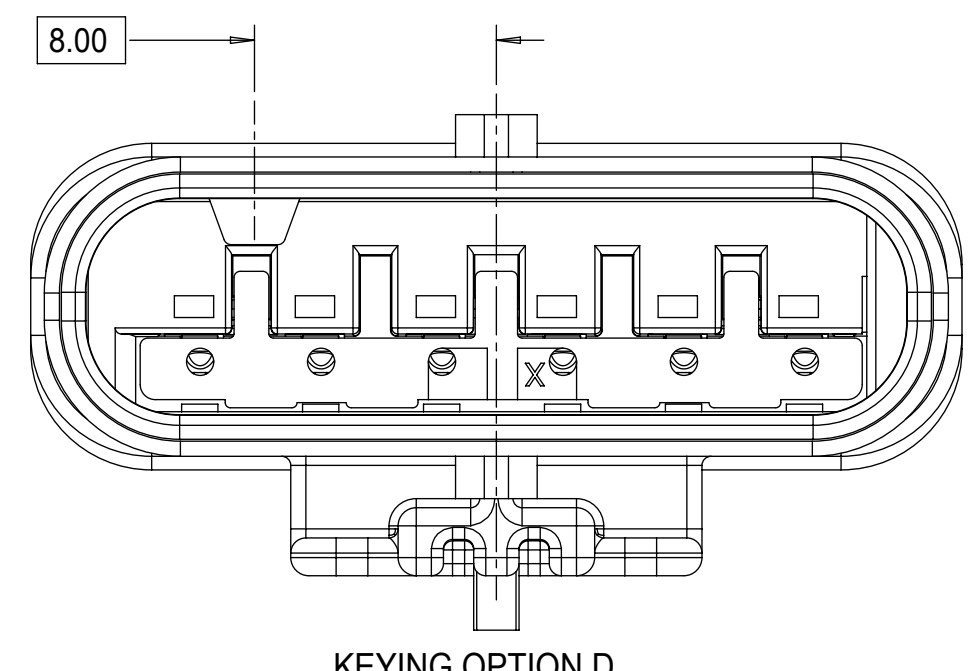
KEYING OPTION A



KEYING OPTION B



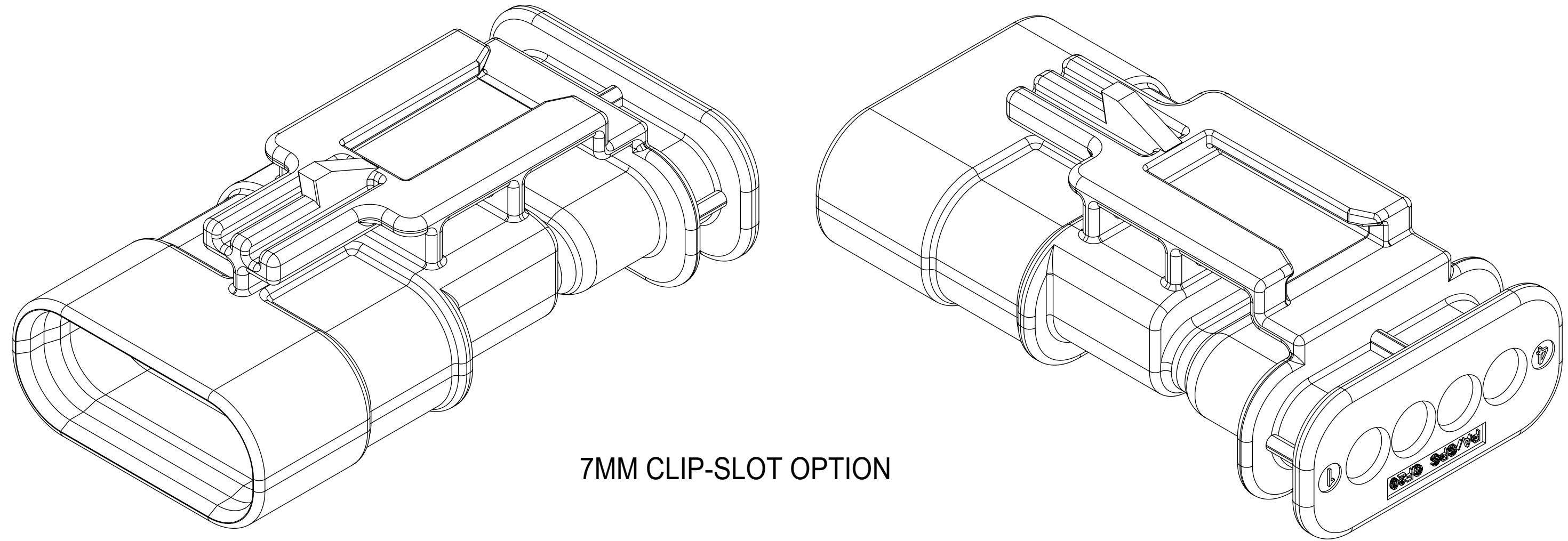
KEYING OPTION C



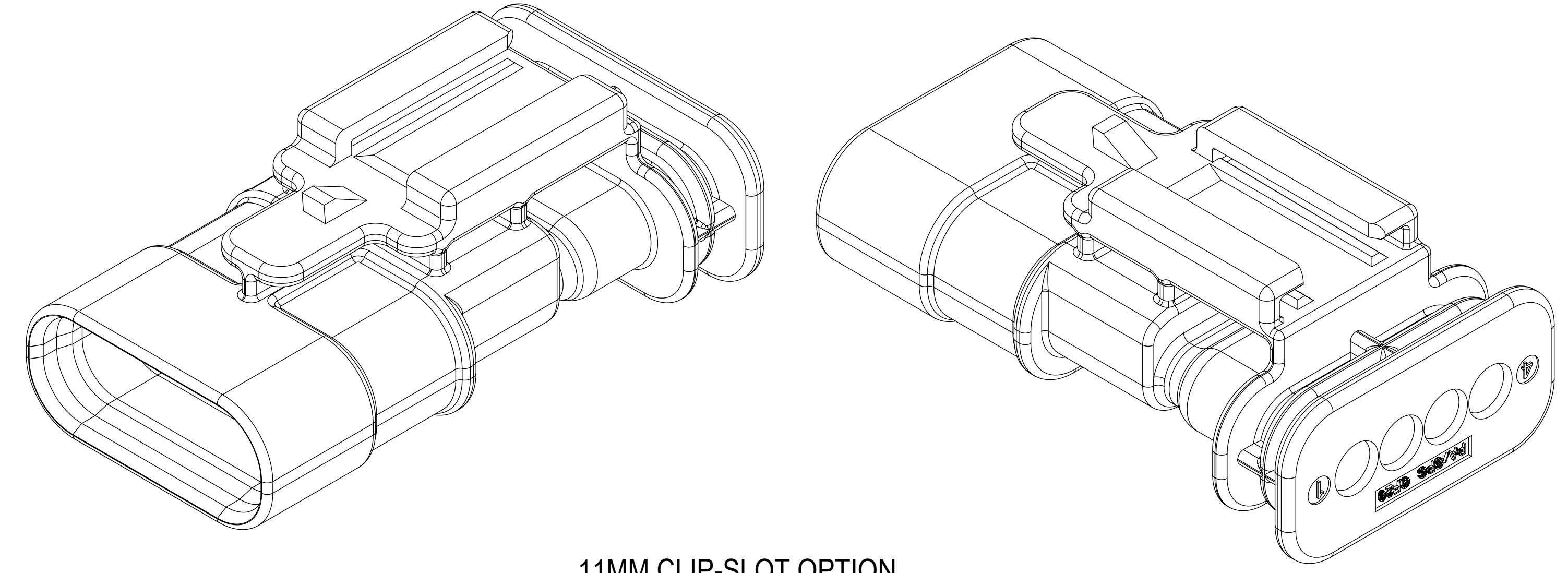
KEYING OPTION D

QUALITY SYMBOLS ▽ = 0 ▽ = 0 ▽ = 0 ▽ = 0 ▽ = 0 ▽ = 0 ▽ = 0 ▽ = 0 ▽ = 0 ▽ = 0		THIS DRAWING CONTAINS INFORMATION THAT IS PROPRIETARY TO MOLEX ELECTRONIC TECHNOLOGIES, LLC AND SHOULD NOT BE USED WITHOUT WRITTEN PERMISSION EC NO: 645203 DRWN: GELLIOTTO1 CHKD: MVANSLAMBROU REV: APPR: MVANSLAMBROU 2020/09/11 2020/09/15 2020/09/15		GENERAL TOLERANCES (UNLESS SPECIFIED) ANGULAR TOL ± 3.0 ° 4 PLACES ± 3 PLACES ± 2 PLACES ± 0.1 1 PLACE ± 0.2 0 PLACES ± 0.5 DRAFT WHERE APPLICABLE MUST REMAIN WITHIN DIMENSIONS		DIMENSION UNITS: mm SCALE: 4:1 DRWN BY: MVANSLAMBROU DATE: 2012/07/13 CHKD BY: VKOSHY DATE: 2012/07/19 APPR BY: VKOSHY DATE: 2012/07/24		molex® 1.2MM 1X4, 1X6 BLADE SEALED ASSEMBLY CABLE SEAL 639764 - REMOVED CPA3 AND REPLACED WITH CPA2 AGAIN 64 PRODUCT CUSTOMER DRAWING		SERIES: 34899 MATERIAL NUMBER: SEE BOM CUSTOMER: GENERAL MARKET	
RELEASE STATUS: P1 RELEASE DATE: 2020/09/15 14:05:24		B17		D 		DOCUMENT NUMBER: SD-34899-6001 DOC TYPE: PSD DOC PART: 001 SHEET NUMBER: 3 OF 11					

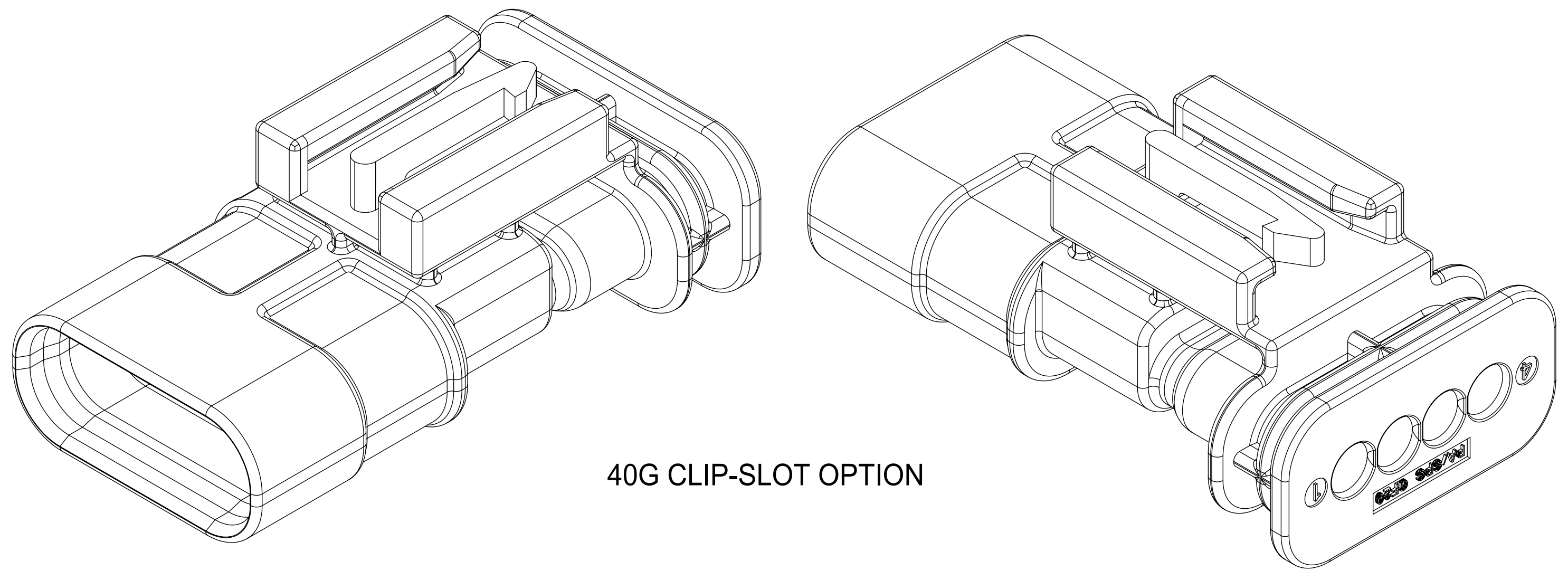
CLIP-SLOT CONFIGURATIONS. FOR PART NUMBERS REFER TO BOM SHEET.



7MM CLIP-SLOT OPTION



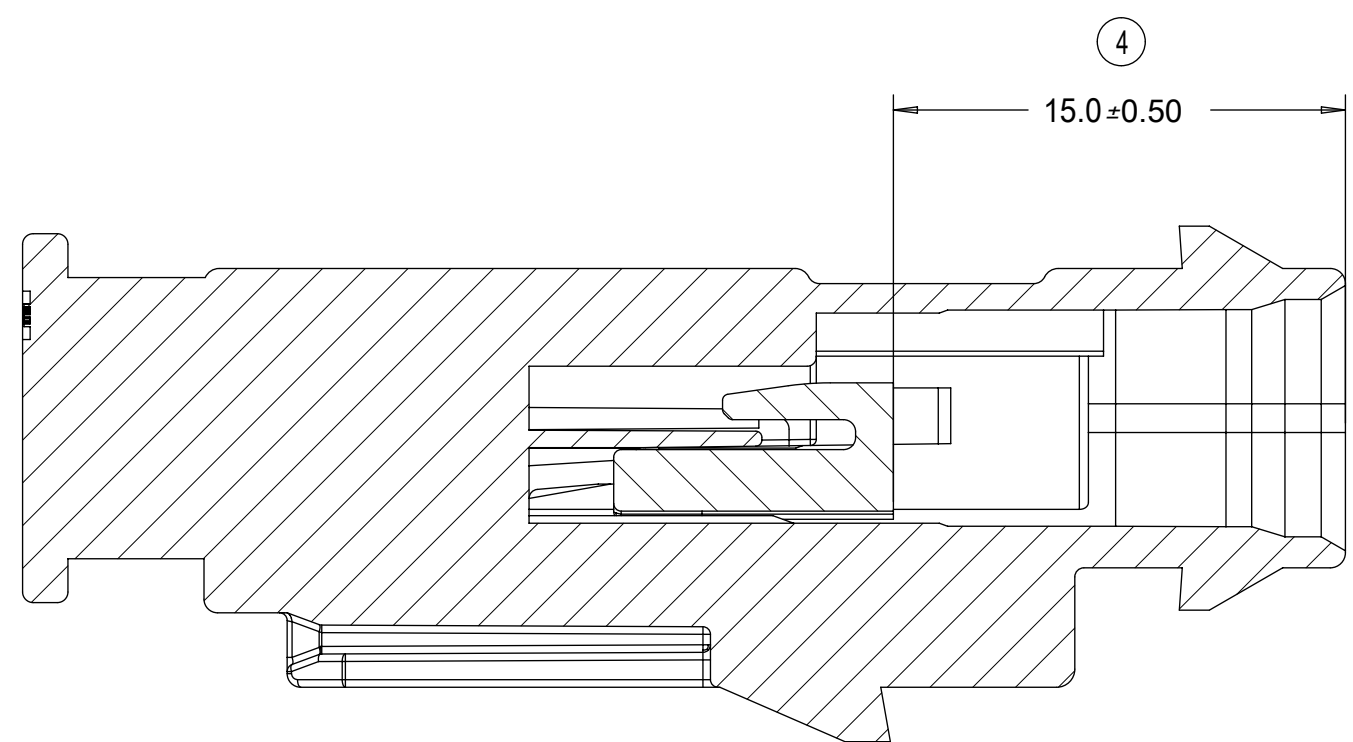
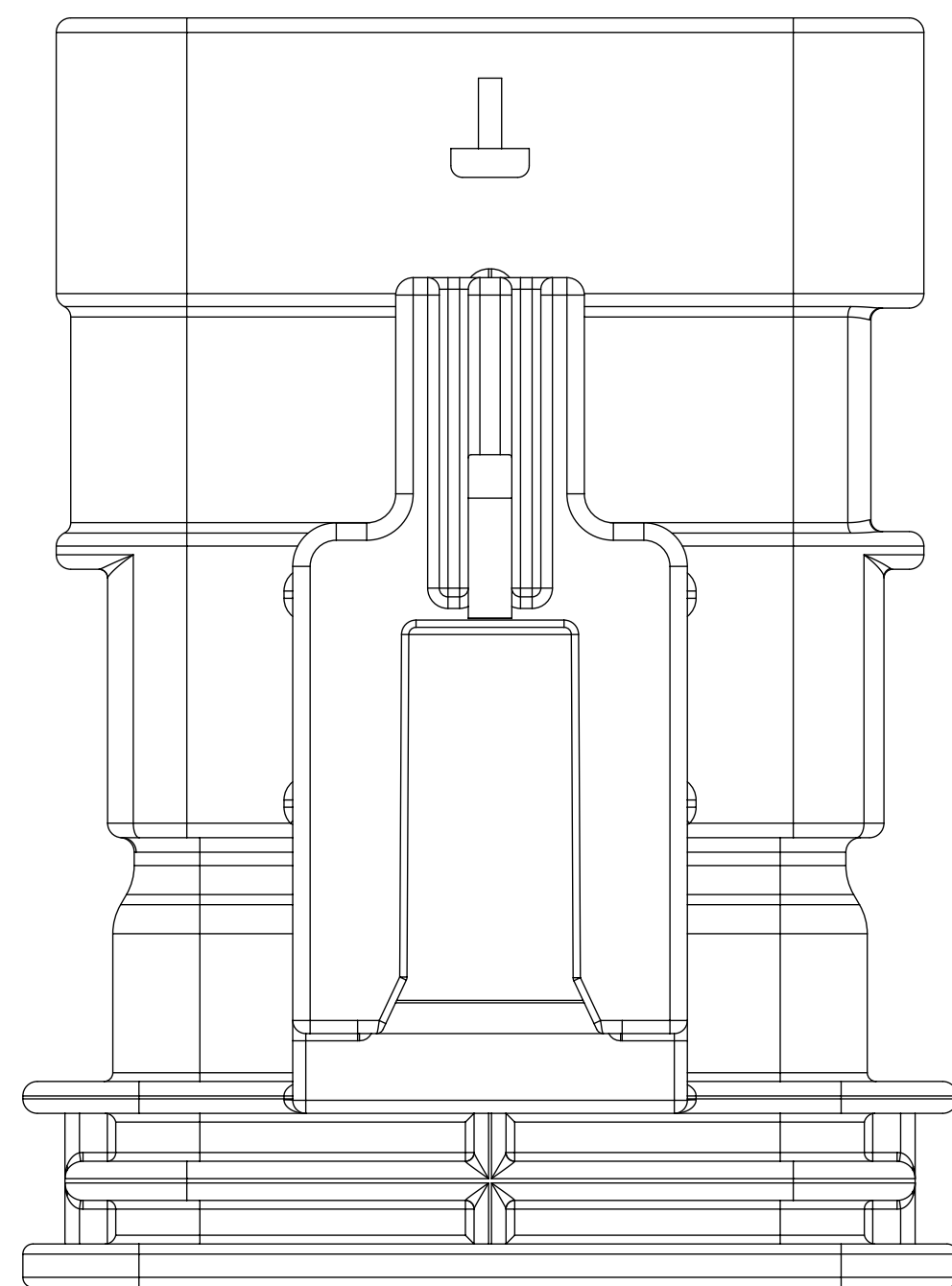
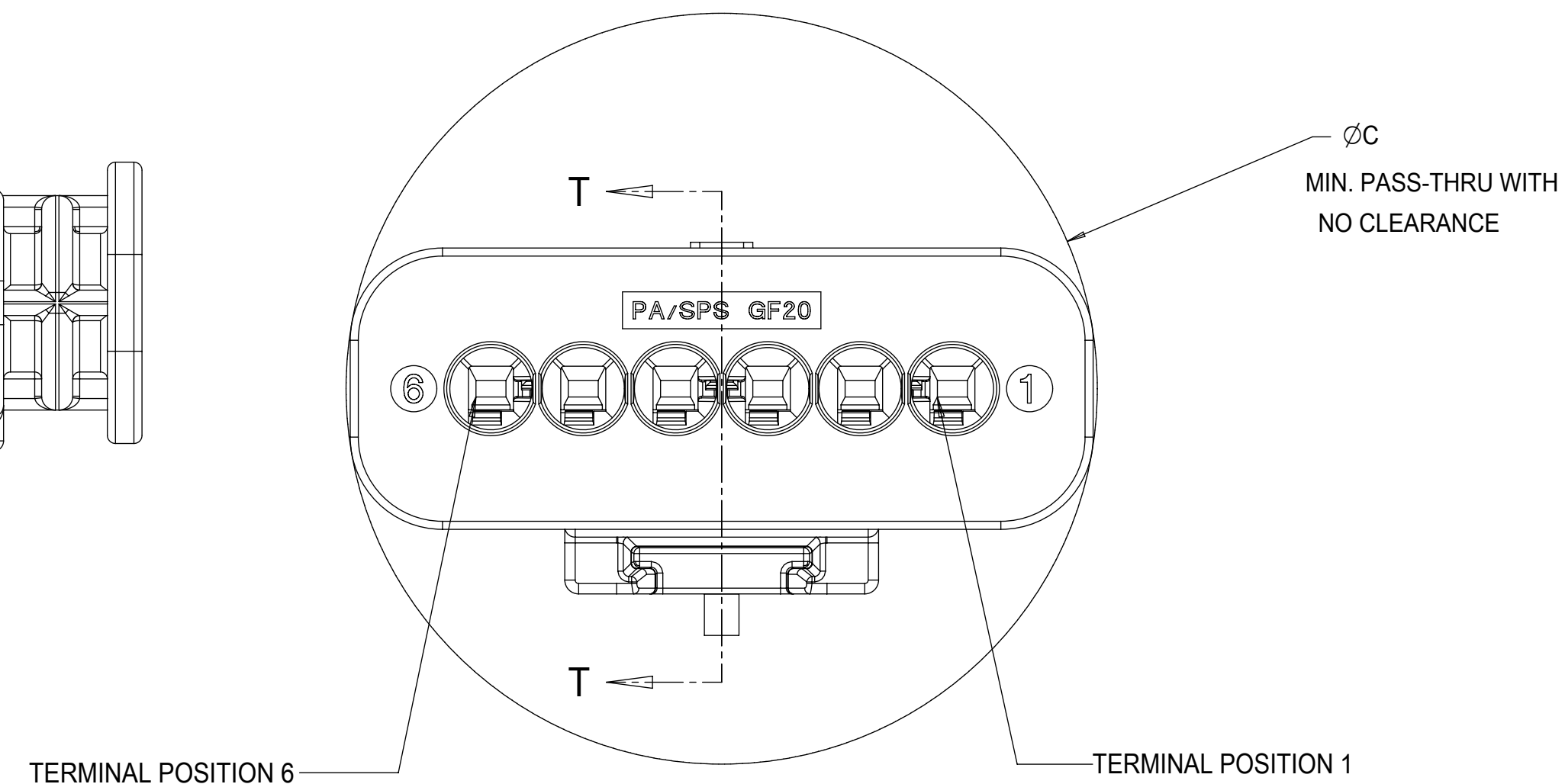
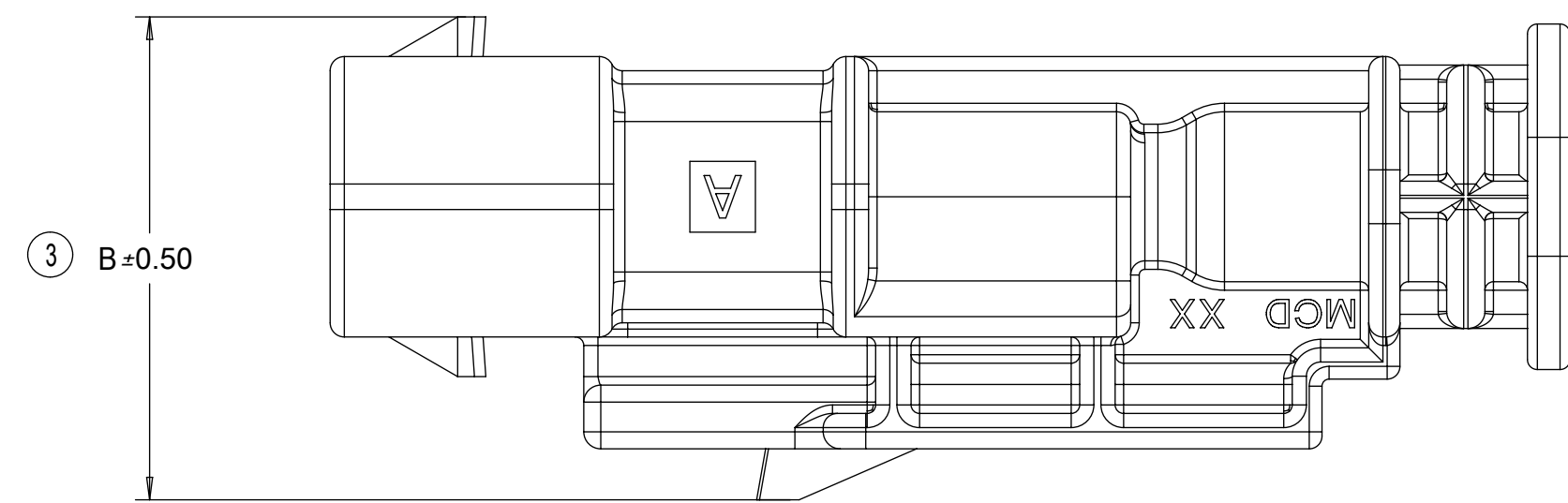
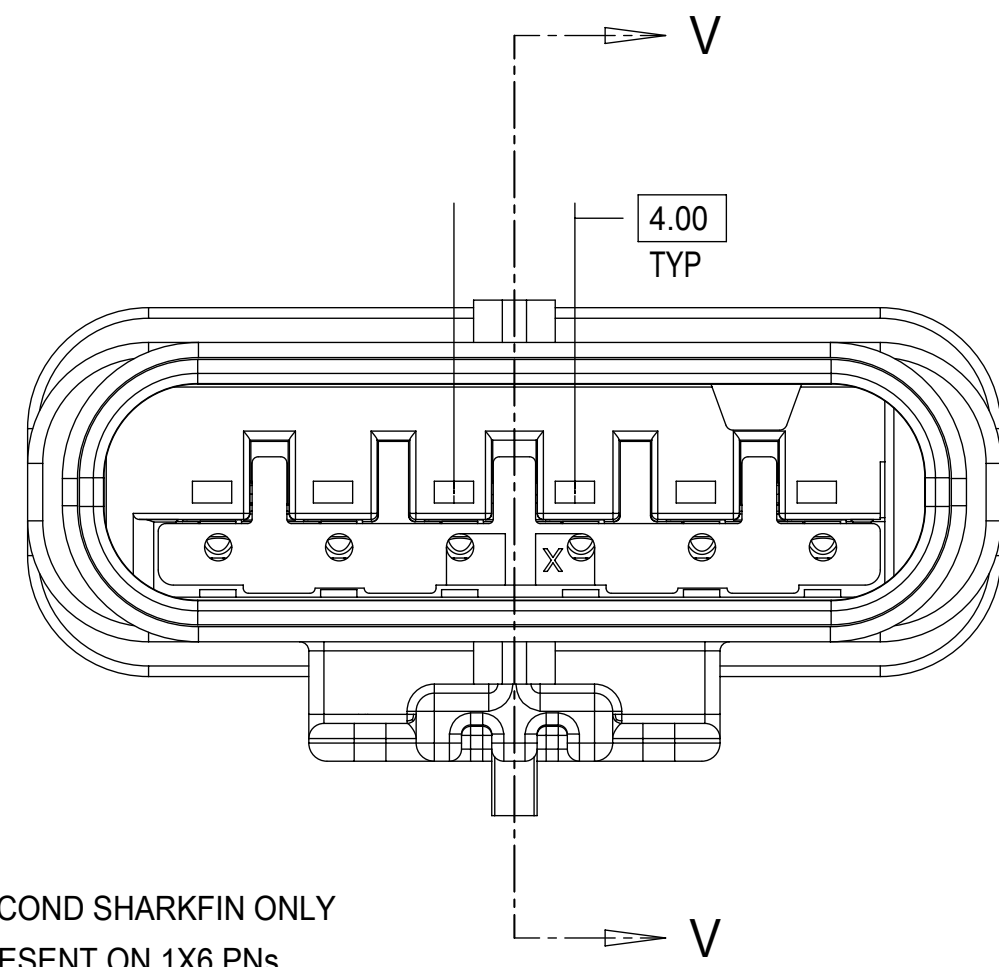
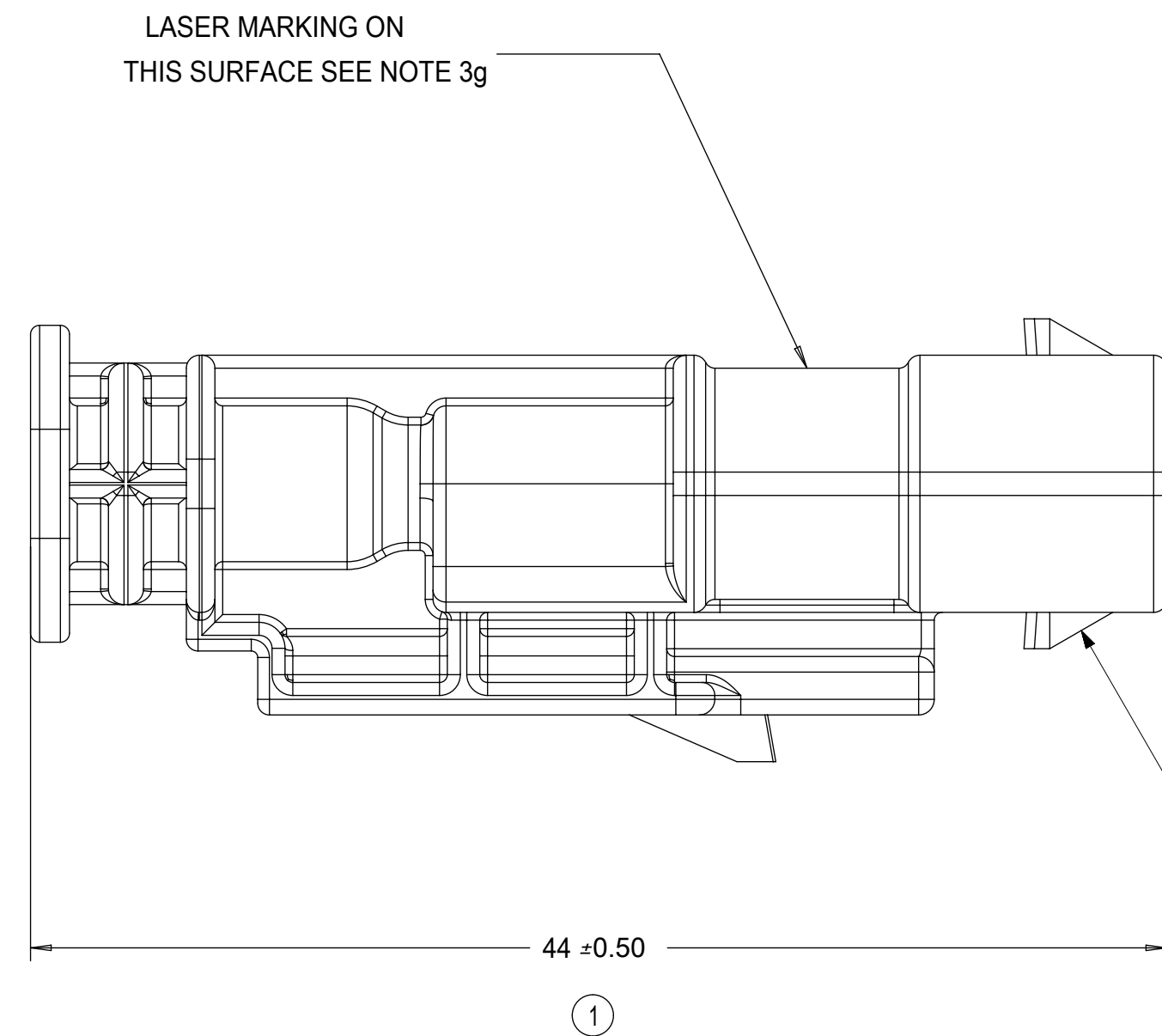
11MM CLIP-SLOT OPTION



40G CLIP-SLOT OPTION

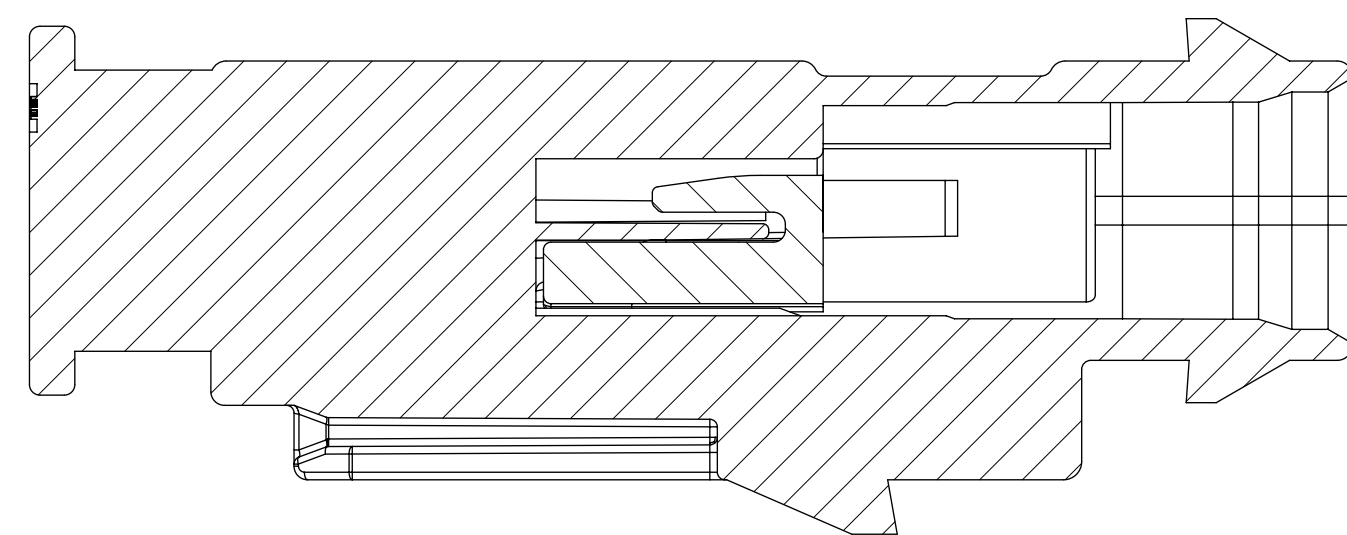
<b>QUALITY SYMBOLS</b> □ = 0 ▽ = 0 ▽ = 0 ▽ = 0 ▽ = 0 ▽ = 0 ▽ = 0 ▽ = 0 ▽ = 0 ▽ = 0 ▽ = 0	THIS DRAWING CONTAINS INFORMATION THAT IS PROPRIETARY TO MOLEX ELECTRONIC TECHNOLOGIES, LLC AND SHOULD NOT BE USED WITHOUT WRITTEN PERMISSION									
	2020/09/11	GENERAL TOLERANCES (UNLESS SPECIFIED)			DIMENSION UNITS	SCALE				
	2020/09/15	ANGULAR TOL ± 3.0 °			mm	4:1				
	2020/09/15	4 PLACES ±			DRWN BY	DATE	1.2MM 1X4, 1X6 BLADE SEALED ASSEMBLY CABLE SEAL 639764 - REMOVED CPA3 AND REPLACED WITH CPA2 AGAIN 64			
		3 PLACES ±			MVANSLAMBROU	2012/07/13				
		2 PLACES ± 0.1			CHKD BY	DATE	PRODUCT CUSTOMER DRAWING			
		1 PLACE ± 0.2			VKOSHY	2012/07/19				
		0 PLACES ± 0.5			APPR BY	DATE	SERIES MATERIAL NUMBER CUSTOMER 34899 SEE BOM GENERAL MARKET			
		DRAFT WHERE APPLICABLE MUST REMAIN WITHIN DIMENSIONS			VKOSHY	2012/07/24				
		645203	DRAFT WHERE APPLICABLE MUST REMAIN WITHIN DIMENSIONS			DRAWING SIZE	THIRD ANGLE PROJECTION	DOCUMENT NUMBER DOC TYPE DOC PART SHEET NUMBER SD-34899-6001 PSD 001 4 OF 11		
	B17				D					

# BLADE SEALED ASSEMBLY



SECTION V-V

PRIMARY LOCK REINFORCEMENT (PLR) SHOWN IN THE PRE-STAGED POSITION



SECTION T-T

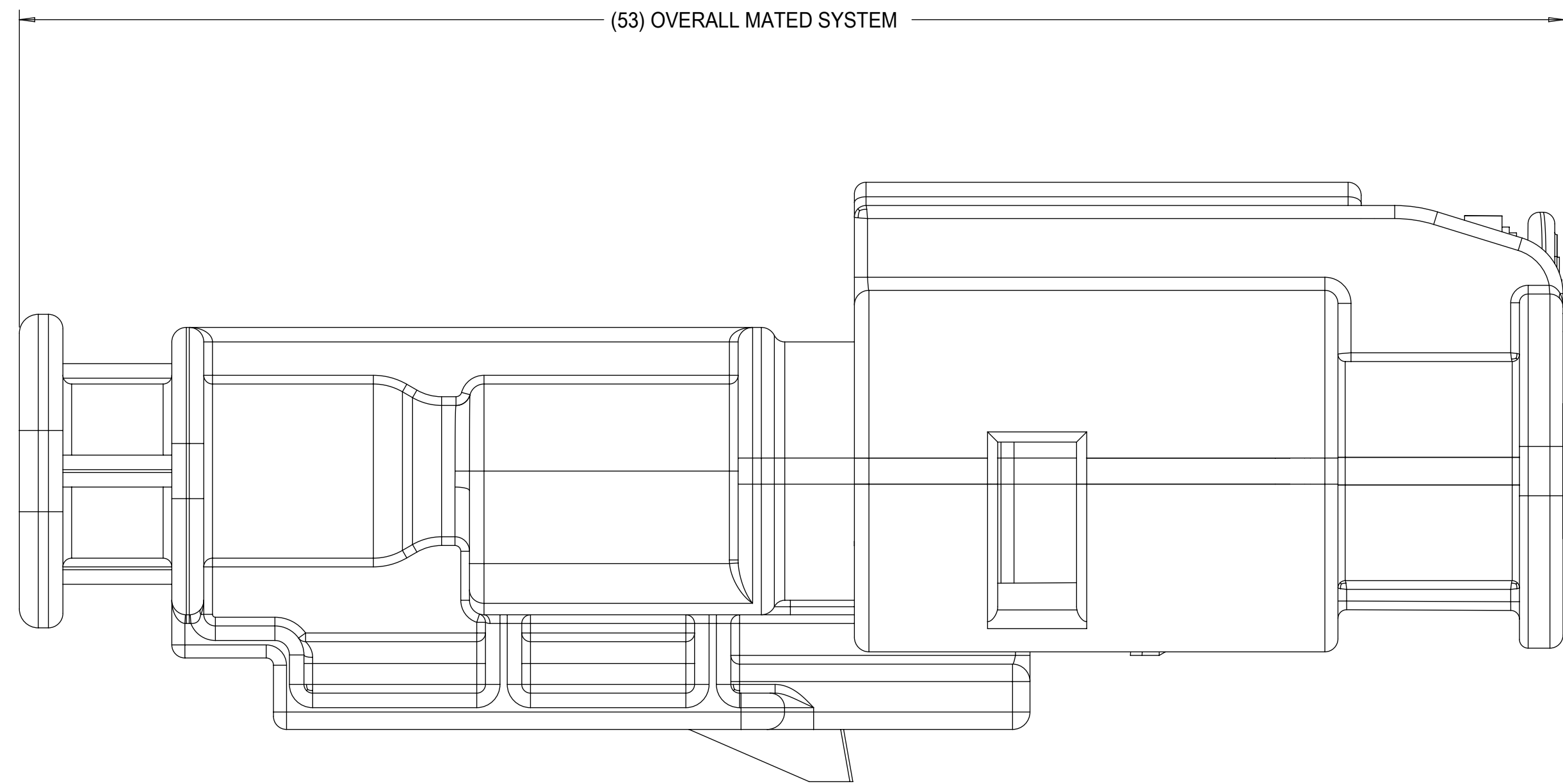
PRIMARY LOCK REINFORCEMENT (PLR) SHOWN IN THE FINAL-LOCK POSITION

1x6 BLADE SEALED ASSEMBLY, 40G CLIP SLOT	17.5	32.75
1x6 BLADE SEALED ASSEMBLY, 11mm CLIP SLOT	16	32.75
1x6 BLADE SEALED ASSEMBLY, 7mm CLIP SLOT	17.25	32.75
1x4 BLADE SEALED ASSEMBLY, 40G CLIP SLOT	17.5	25.25
1x4 BLADE SEALED ASSEMBLY, 11mm CLIP SLOT	16	24.75
1x4 BLADE SEALED ASSEMBLY, 7mm CLIP SLOT	17.25	24.75
CONFIGURATION	B	C
CHARTED DIMENSIONS		

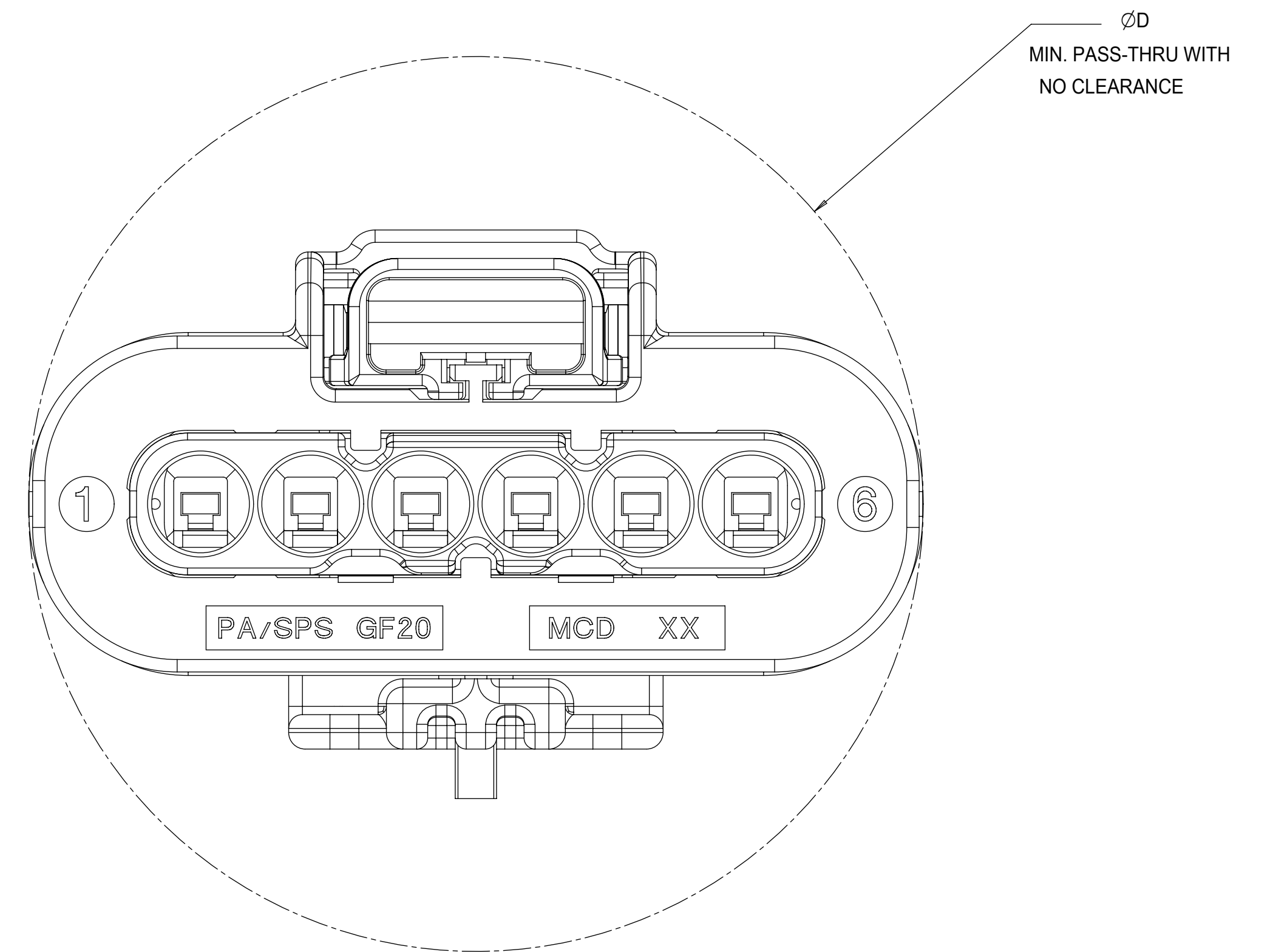
QUALITY SYMBOLS	THIS DRAWING CONTAINS INFORMATION THAT IS PROPRIETARY TO MOLEX ELECTRONIC TECHNOLOGIES, LLC AND SHOULD NOT BE USED WITHOUT WRITTEN PERMISSION		DIMENSION UNITS	SCALE	molex®		
▽ = 0	2020/09/11	DRWN: GELIOTTO1	mm	4:1	1.2MM 1X4, 1X6 BLADE SEALED ASSEMBLY CABLE SEAL 639764 - REMOVED CPA3 AND REPLACED WITH CPA2 AGAIN 64		
▽ = 0	2020/09/15	CHKD: MVANSLAMBROU	DRWN BY	DATE			
▽ = 0	2020/09/15	REV: MVANSLAMBROU	ANGULAR TOL ± 3.0 °	MVANSLAMBROU	2012/07/13	PRODUCT CUSTOMER DRAWING	
▽ = 0			4 PLACES ±	CHKD BY	DATE	SERIES	
▽ = 0			3 PLACES ±	VKOSHY	2012/07/19	MATERIAL NUMBER	
▽ = 0			2 PLACES ± 0.1	APPR BY	DATE	CUSTOMER	
▽ = 0			1 PLACE ± 0.2	VKOSHY	2012/07/24	GENERAL MARKET	
▽ = 0			0 PLACES ± 0.5	DRAWING SIZE	THIRD ANGLE PROJECTION	DOCUMENT NUMBER	
▽ = 0			DRAFT WHERE APPLICABLE MUST REMAIN WITHIN DIMENSIONS	D		34899	
▽ = 0						SEE BOM	
	EC NO: 645203					SD-34899-6001	
	B17					PSD 001	
						5 OF 11	



# CONNECTION SYSTEM PACKAGING

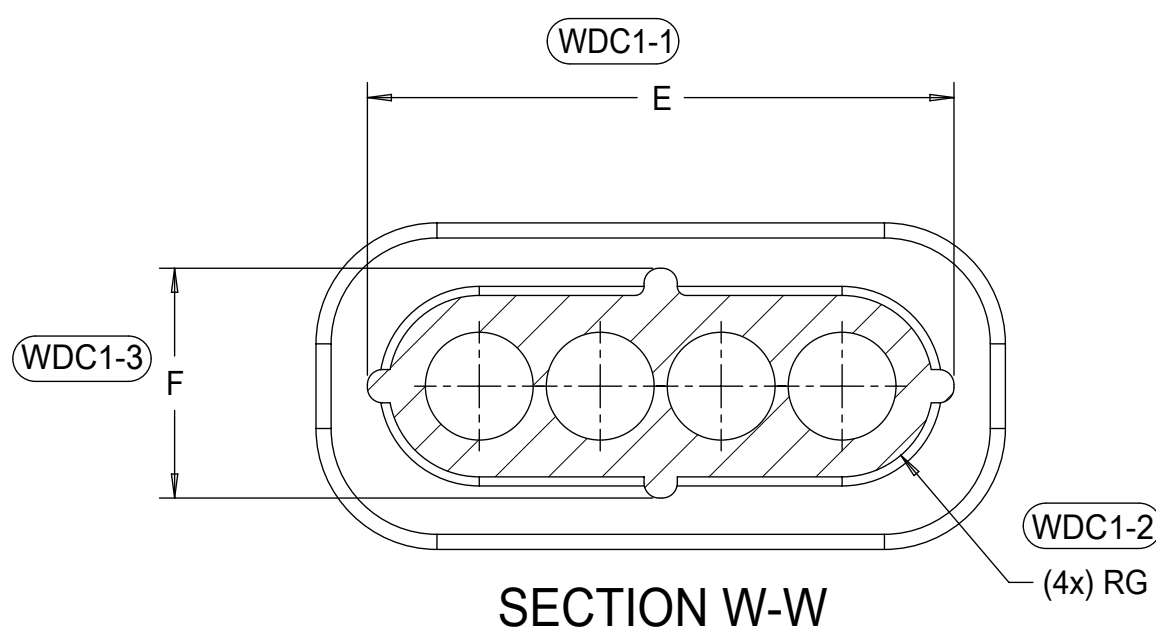


MODEL USED "AM-120-S-006-1-Z01"

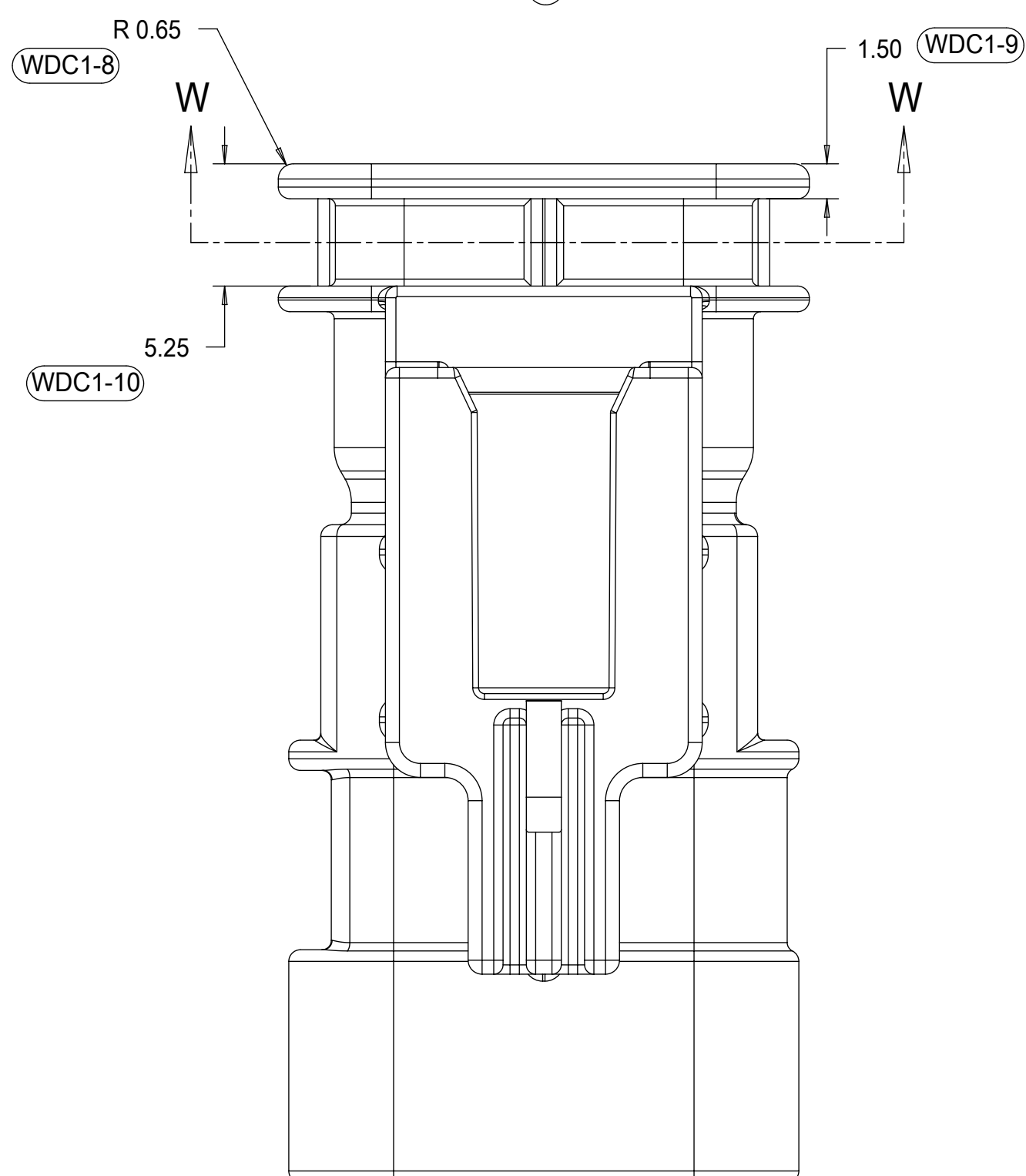
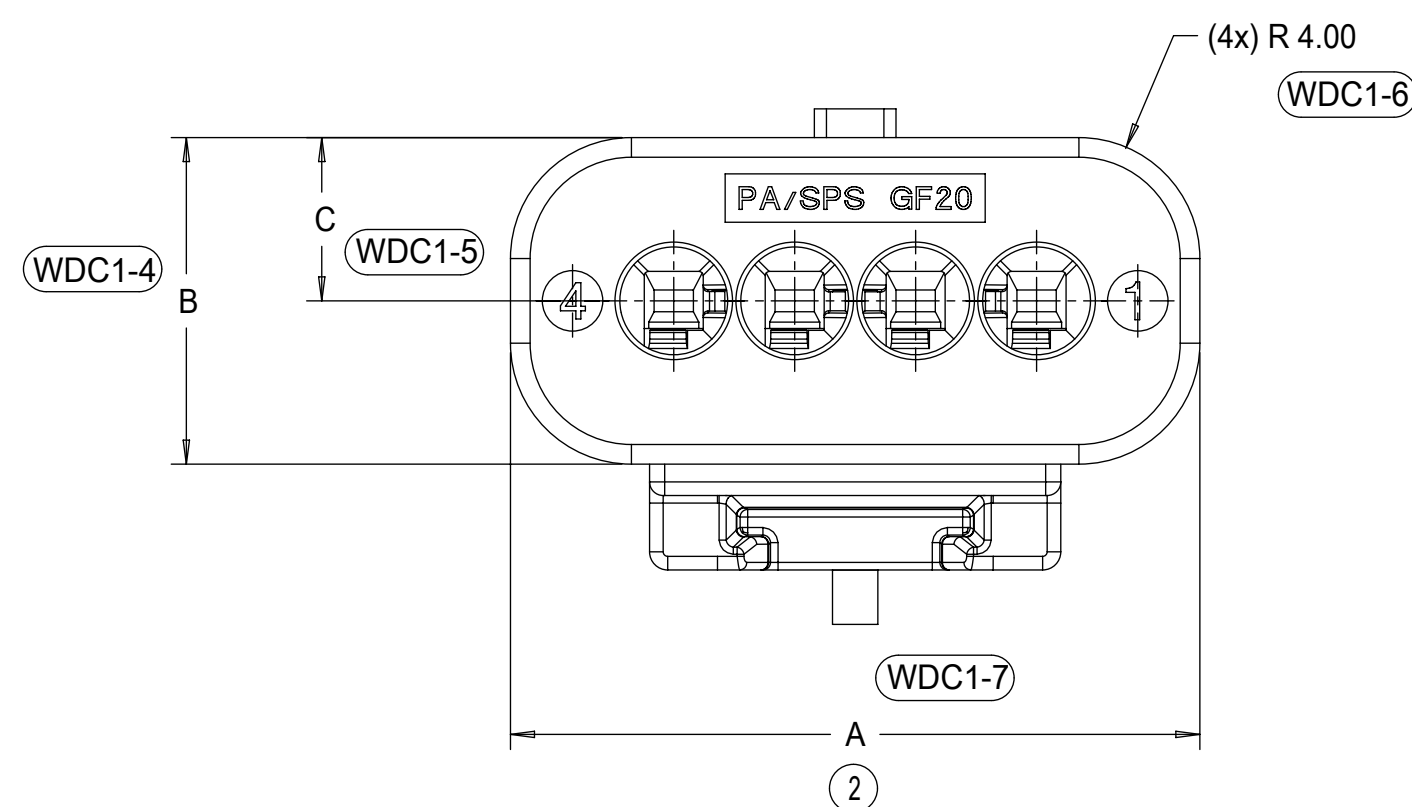


1x6 RECEPTACLE MATED TO 1x6 BLADE, 40 CLIP SLOT	TBD
1x6 RECEPTACLE MATED TO 1x6 BLADE, 11mm CLIP SLOT	33.5
1x6 RECEPTACLE MATED TO 1x6 BLADE, 7mm CLIP SLOT	33.5
1x4 RECEPTACLE MATED TO 1x4 BLADE, 40G CLIP SLOT	25.50
1x4 RECEPTACLE MATED TO 1x4 BLADE, 11mm CLIP SLOT	25.50
1x4 RECEPTACLE MATED TO 1x4 BLADE, 7mm CLIP SLOT	25.50
1.2mm CONNECTION SYSTEM CONFIGURATION	D
CHARTED DIMENSIONS	

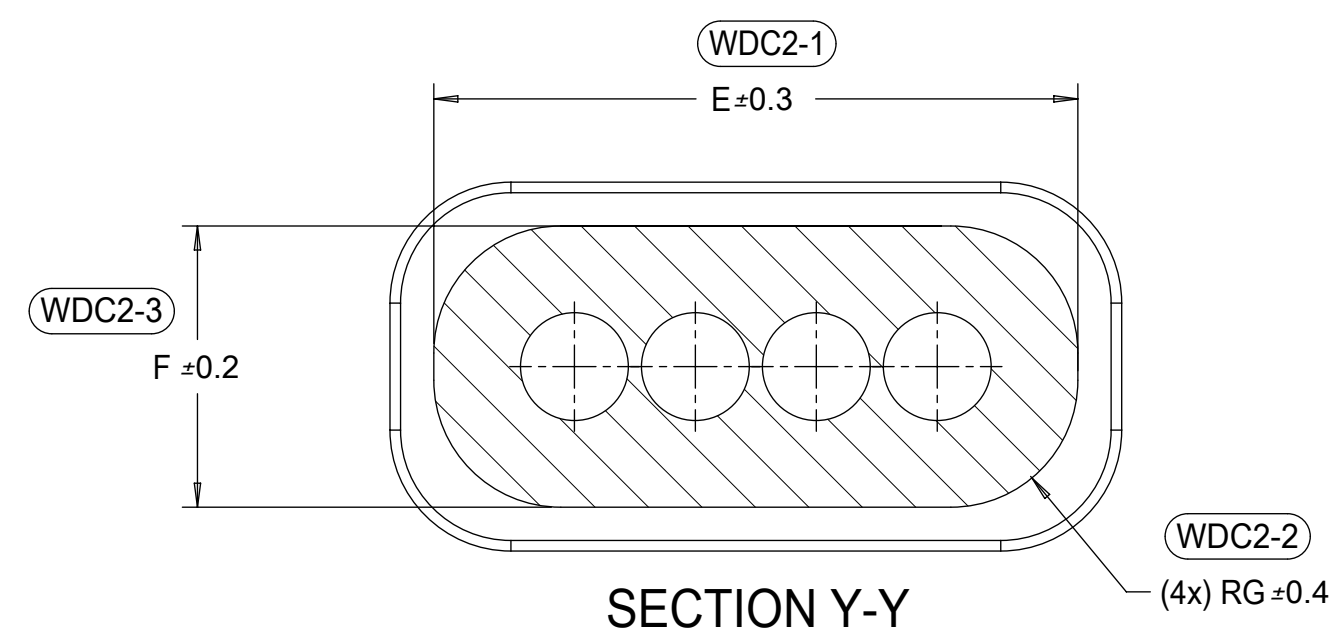
QUALITY SYMBOLS	THIS DRAWING CONTAINS INFORMATION THAT IS PROPRIETARY TO MOLEX ELECTRONIC TECHNOLOGIES, LLC AND SHOULD NOT BE USED WITHOUT WRITTEN PERMISSION			
▽ = 0	EC NO: 645203 DRWN: GELLIOTTO1 CHKD: MVANSLAMBROU REV: APPR: MVANSLAMBROU	2020/09/11	2020/09/15	2020/09/15
▽ = 0		GENERAL TOLERANCES (UNLESS SPECIFIED)	DIMENSION UNITS	SCALE
▽ = 0		mm	6:1	
▽ = 0		ANGULAR TOL ± 3.0 °	DRWN BY	DATE
▽ = 0		4 PLACES ±	MVANSLAMBROU	2012/07/13
▽ = 0		3 PLACES ±	CHKD BY	DATE
▽ = 0		2 PLACES ± 0.1	VKOSHY	2012/07/19
▽ = 0		1 PLACE ± 0.2	APPR BY	DATE
▽ = 0		0 PLACES ± 0.5	VKOSHY	2012/07/24
▽ = 0		DRAFT WHERE APPLICABLE MUST REMAIN WITHIN DIMENSIONS	DRAWING SIZE	THIRD ANGLE PROJECTION
▽ = 0			D	
	<b>1.2MM 1X4, 1X6 BLADE</b> SEALED ASSEMBLY CABLE SEAL 639764 - REMOVED CPA3 AND REPLACED WITH CPA2 AGAIN 64		<b>molex®</b>	
			PRODUCT CUSTOMER DRAWING	
	SERIES	MATERIAL NUMBER	CUSTOMER	
	34899	SEE BOM	GENERAL MARKET	
	DOCUMENT NUMBER	DOC TYPE	DOC PART	SHEET NUMBER
	SD-34899-6001	PSD	001	6 OF 11



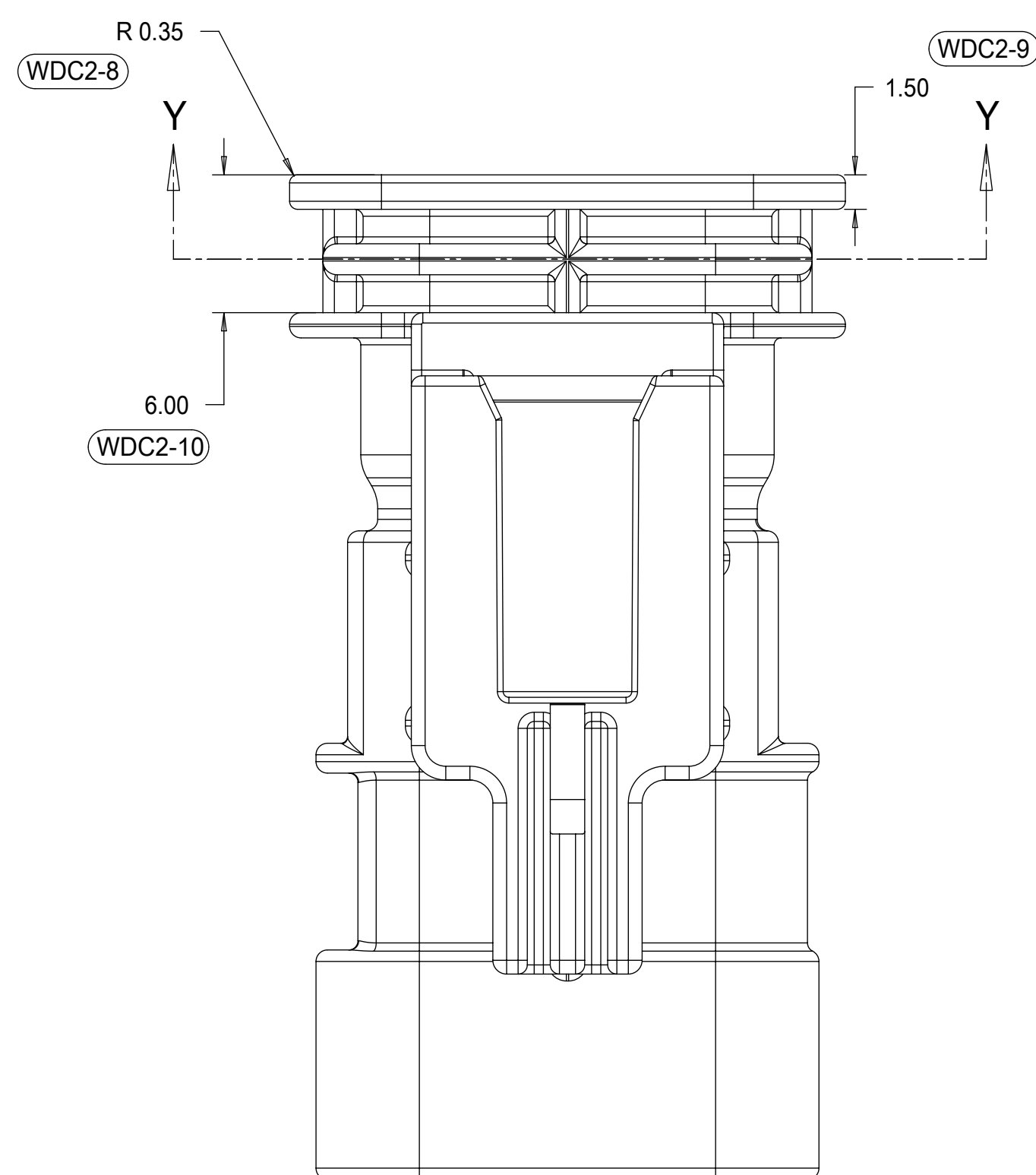
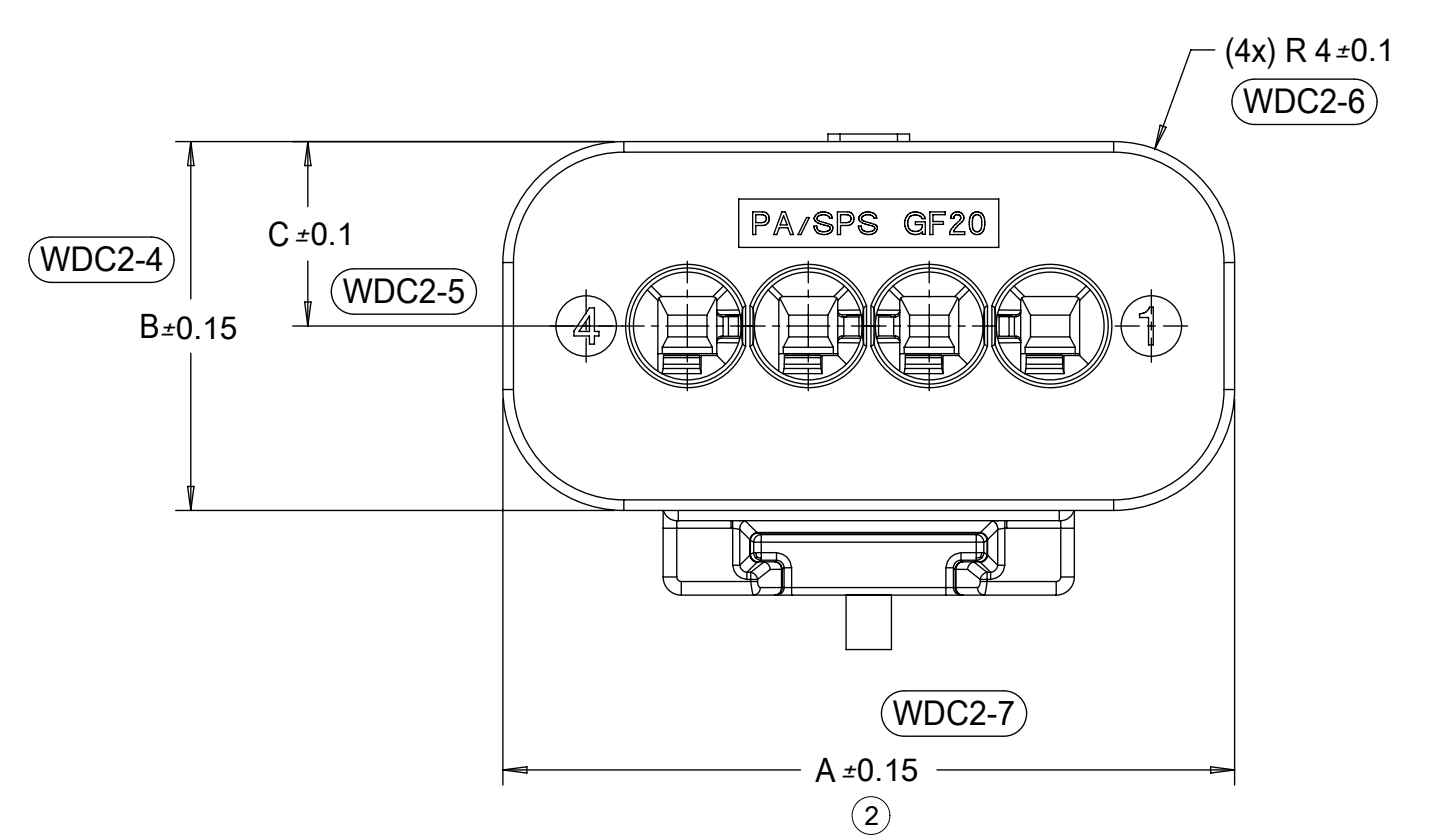
6 CIRCUIT	30.8	10.8	5.4	27.4	7.6	3.0
4 CIRCUIT	22.8	10.8	5.4	19.4	7.6	3.0
CONFIGURATION	A	B	C	E	F	G
<b>CHARTED DIMENSIONS</b>						



WIRE DRESS COVER  
INTERFACE OPTION 1  
WIRE DRESS COVERS  
NOT AVAILABLE



6 CIRCUIT	32.2	12.2	6.1	29.3	9.3	4.2
4 CIRCUIT	24.2	12.2	6.1	21.3	9.3	4.2
CONFIGURATION	A	B	C	E	F	G
<b>CHARTED DIMENSIONS</b>						



WIRE DRESS COVER  
INTERFACE OPTION 2  
BASED ON HIRSCHMANN INTERFACE  
DRAWING 808-012-xxx REV B5

<b>QUALITY SYMBOLS</b> □ = 0 ▽ = 0 ▽ = 0 ▽ = 0 ▼ = 0 ▽ = 0 □ = 0 ■ = 0 ▽ = 0	THIS DRAWING CONTAINS INFORMATION THAT IS PROPRIETARY TO MOLEX ELECTRONIC TECHNOLOGIES, LLC AND SHOULD NOT BE USED WITHOUT WRITTEN PERMISSION															
	EC NO: 645203 DRWN: GELLIOTTO1 CHKD: MVANSLAMBROU REV APPR: MVANSLAMBROU				2020/09/11 2020/09/15 2020/09/15				GENERAL TOLERANCES (UNLESS SPECIFIED) ANGULAR TOL ± 3.0 °				DIMENSION UNITS: mm SCALE: 4:1			
	4 PLACES ±				3 PLACES ±				2 PLACES ± 0.1				1 PLACE ± 0.2			
	0 PLACES ± 0.5				DRAFT WHERE APPLICABLE MUST REMAIN WITHIN DIMENSIONS				DRWN BY: MVANSLAMBROU				DATE: 2012/07/13			
	DATE: 2012/07/19				CHKD BY: VKOSHY				DATE: 2012/07/19				APPR BY: VKOSHY			
	DATE: 2012/07/24				DRAWING SIZE: D				THIRD ANGLE PROJECTION				SERIES: 34899			
	MATERIAL NUMBER: SEE TABLE				CUSTOMER: GENERAL MARKET				DOCUMENT NUMBER: SD-34899-6001				DOC TYPE: PSD			
	DOC PART: 001				SHEET NUMBER: 7 OF 11				MATERIAL NUMBER: SEE TABLE				CUSTOMER: GENERAL MARKET			
	RELEASE STATUS: P1				RELEASE DATE: 2020/09/15 14:05:24				EC NO: 645203				B17			



1x4 BLADE SEALED ASSEMBLY BOM  
FOR WIRE DRESS COVER INTERFACE 2  
REFER WIRE DRESS INTERFACE SHEET  
FOR DETAILS

KEYING OPTION A, 40G CLIP SLOT, BLACK	34899-4060																		A	TOOLED BUT NOT VALIDATED		
KEYING OPTION A, 40G CLIP SLOT, YELLOW	34899-4050																		A	TOOLED BUT NOT VALIDATED		
KEYING OPTION G, 7mm CLIP SLOT, LIGHT GRAY	34899-4086																		G	SALEABLE		
KEYING OPTION F, 7mm CLIP SLOT, BLACK	34899-4085																		F	SALEABLE		
KEYING OPTION E, 7mm CLIP SLOT, DARK GRAY	34899-4084																		E	SALEABLE		
KEYING OPTION D, 7mm CLIP SLOT, LIGHT GRAY	34899-4083																		D	SALEABLE		
KEYING OPTION C, 7mm CLIP SLOT, DARK GRAY	34899-4082																		C	SALEABLE		
KEYING OPTION B, 7mm CLIP SLOT, STONE GRAY	34899-4081																		B	SALEABLE		
KEYING OPTION A, 7mm CLIP SLOT, BLACK	34899-4080																		A	SALEABLE		
KEYING OPTION G, 7mm CLIP SLOT, YELLOW	34899-4076																		G	SALEABLE		
KEYING OPTION F, 7mm CLIP SLOT, YELLOW	34899-4075																		F	SALEABLE		
KEYING OPTION E, 7mm CLIP SLOT, YELLOW	34899-4074																		E	SALEABLE		
KEYING OPTION D, 7mm CLIP SLOT, YELLOW	34899-4073																		D	SALEABLE		
KEYING OPTION C, 7mm CLIP SLOT, YELLOW	34899-4072																		C	SALEABLE		
KEYING OPTION B, 7mm CLIP SLOT, YELLOW	34899-4071																		B	SALEABLE		
KEYING OPTION A, 7mm CLIP SLOT, YELLOW	34899-4070																		A	SALEABLE		
ASSEMBLY DESCRIPTION	ASSEMBLY PART NUMBER																				PRODUCTION TOOL STATUS	COMMENTS

PLR	NATURAL	SPS/NYLON GF20
1x4 CONNECTOR HOUSING, KEYING OPTION A 40G CLIP SLOT	BLACK	SPS/NYLON GF20
1x4 CONNECTOR HOUSING, KEYING OPTION A 40G CLIP SLOT	YELLOW	SPS/NYLON GF20
1x4 CONNECTOR HOUSING, KEYING OPTION G 7mm CLIP SLOT	LIGHT GRAY	SPS/NYLON GF20
1x4 CONNECTOR HOUSING, KEYING OPTION F 7mm CLIP SLOT	BLACK	SPS/NYLON GF20
1x4 CONNECTOR HOUSING, KEYING OPTION E 7mm CLIP SLOT	DARK GRAY	SPS/NYLON GF20
1x4 CONNECTOR HOUSING, KEYING OPTION D 7mm CLIP SLOT	LIGHT GRAY	SPS/NYLON GF20
1x4 CONNECTOR HOUSING, KEYING OPTION C 7mm CLIP SLOT	DARK GRAY	SPS/NYLON GF20
1x4 CONNECTOR HOUSING, KEYING OPTION B 7mm CLIP SLOT	STONE GRAY	SPS/NYLON GF20
1x4 CONNECTOR HOUSING, KEYING OPTION A 7mm CLIP SLOT	BLACK	SPS/NYLON GF20
1x4 CONNECTOR HOUSING, KEYING OPTION G 7mm CLIP SLOT	YELLOW	SPS/NYLON GF20
1x4 CONNECTOR HOUSING, KEYING OPTION F 7mm CLIP SLOT	YELLOW	SPS/NYLON GF20
1x4 CONNECTOR HOUSING, KEYING OPTION E 7mm CLIP SLOT	YELLOW	SPS/NYLON GF20
1x4 CONNECTOR HOUSING, KEYING OPTION D 7mm CLIP SLOT	YELLOW	SPS/NYLON GF20
1x4 CONNECTOR HOUSING, KEYING OPTION C 7mm CLIP SLOT	YELLOW	SPS/NYLON GF20
1x4 CONNECTOR HOUSING, KEYING OPTION B 7mm CLIP SLOT	YELLOW	SPS/NYLON GF20
1x4 CONNECTOR HOUSING, KEYING OPTION A 7mm CLIP SLOT	YELLOW	SPS/NYLON GF20
DESCRIPTION	COLOR	MATERIAL

BOM/APPLICABLE COMPONENTS TABLE

LEGEND TABLE	
ABBREVIATION	COMPONENT
A	CONNECTOR HOUSING KEYING OPTION A
B	CONNECTOR HOUSING KEYING OPTION B
C	CONNECTOR HOUSING KEYING OPTION C
D	CONNECTOR HOUSING KEYING OPTION D
E	CONNECTOR HOUSING KEYING OPTION E
F	CONNECTOR HOUSING KEYING OPTION F
G	CONNECTOR HOUSING KEYING OPTION G
PLR	PLR

THIS DRAWING CONTAINS INFORMATION THAT IS PROPRIETARY TO MOLEX ELECTRONIC TECHNOLOGIES, LLC AND SHOULD NOT BE USED WITHOUT WRITTEN PERMISSION											
QUALITY SYMBOLS		2020/09/11			2020/09/15			2020/09/15		2020/09/15	
▽ = 0		DRWN: MVANSLAMBROU			CHKD: MVANSLAMBROU			REV: APPR: MVANSLAMBROU		GENERAL TOLERANCES (UNLESS SPECIFIED)	
▽ = 0		2020/09/11			2020/09/15			2020/09/15		DIMENSION UNITS SCALE	
▽ = 0		EC NO: 645203			DRWN: GELLIOTTO1			CHKD: MVANSLAMBROU		ANGULAR TOL ± 3.0 °	
▽ = 0										4 PLACES ±	
▽ = 0										3 PLACES ±	
▽ = 0										2 PLACES ± 0.1	
▽ = 0										1 PLACE ± 0.2	
▽ = 0										0 PLACES ± 0.5	
▽ = 0										DRAFT WHERE APPLICABLE MUST REMAIN WITHIN DIMENSIONS	
▽ = 0										DRWN BY DATE	
▽ = 0										MVANSLAMBROU 2012/07/13	
▽ = 0										CHKD BY DATE	
▽ = 0										VKOSHY 2012/07/19	
▽ = 0										APPR BY DATE	
▽ = 0										VKOSHY 2012/07/24	
▽ = 0										DRAWING SIZE THIRD ANGLE PROJECTION	
▽ = 0										D 0	
RELEASE STATUS P1				RELEASE DATE 2020/09/15 14:05:24						SERIES MATERIAL NUMBER CUSTOMER	
										34899 SEE BOM GENERAL MARKET	
										DOCUMENT NUMBER SD-34899-6001 DOC TYPE PSD DOC PART 001 SHEET NUMBER 9 OF 11	

# 1x6 BLADE SEALED ASSEMBLY BOM FOR WIRE DRESS COVER INTERFACE 1 REFER WIRE DRESS INTERFACE SHEET FOR DETAILS

KEYING OPTION A, 40-G CLIP SLOT, BLACK	34899-6070																			A	CONCEPT	
KEYING OPTION A, 40-G CLIP SLOT, YELLOW	34899-6050																			A	CONCEPT	
KEYING OPTION D, 11mm CLIP SLOT, STONE GRAY	34899-6063																			D	OBSOLETE	
KEYING OPTION C, 11mm CLIP SLOT, DARK GRAY	34899-6062																			C	OBSOLETE	
KEYING OPTION B, 11mm CLIP SLOT, LIGHT GRAY	34899-6061																			B	OBSOLETE	
KEYING OPTION A, 11mm CLIP SLOT, BLACK	34899-6060																			A	OBSOLETE	
KEYING OPTION D, 11mm CLIP SLOT, YELLOW	34899-6043																			D	SALEABLE	
KEYING OPTION C, 11mm CLIP SLOT, YELLOW	34899-6042																			C	SALEABLE	
KEYING OPTION B, 11mm CLIP SLOT, YELLOW	34899-6041																			B	OBSOLETE	
KEYING OPTION A, 11mm CLIP SLOT, YELLOW	34899-6040																			A	SALEABLE	
KEYING OPTION D, 7mm CLIP SLOT, STONE GRAY	34899-6023																			D	OBSOLETE	
KEYING OPTION C, 7mm CLIP SLOT, DARK GRAY	34899-6022																			C	OBSOLETE	
KEYING OPTION B, 7mm CLIP SLOT, LIGHT GRAY	34899-6021																			B	SALEABLE	
KEYING OPTION A, 7mm CLIP SLOT, BLACK	34899-6020																			A	OBSOLETE	
KEYING OPTION D, 7mm CLIP SLOT, YELLOW	34899-6013																			D	SALEABLE	
KEYING OPTION C, 7mm CLIP SLOT, YELLOW	34899-6012																			C	SALEABLE	
KEYING OPTION B, 7mm CLIP SLOT, YELLOW	34899-6011																			B	OBSOLETE	
KEYING OPTION A, 7mm CLIP SLOT, YELLOW	34899-6010																			A	SALEABLE	
ASSEMBLY DESCRIPTION	ASSEMBLY PART NUMBER																				PRODUCTION TOOL STATUS	COMMENTS

PLR	NATURAL	SPS/NYLON GF20
1x6 CONNECTOR HOUSING, KEYING OPTION A 40G CLIP SLOT	BLACK	SPS/NYLON GF20
1x6 CONNECTOR HOUSING, KEYING OPTION A 40G CLIP SLOT	YELLOW	SPS/NYLON GF20
1x6 CONNECTOR HOUSING, KEYING OPTION D 11mm CLIP SLOT	STONE GRAY	SPS/NYLON GF20
1x6 CONNECTOR HOUSING, KEYING OPTION C 11mm CLIP SLOT	DARK GRAY	SPS/NYLON GF20
1x6 CONNECTOR HOUSING, KEYING OPTION B 11mm CLIP SLOT	LIGHT GRAY	SPS/NYLON GF20
1x6 CONNECTOR HOUSING, KEYING OPTION A 11mm CLIP SLOT	BLACK	SPS/NYLON GF20
1x6 CONNECTOR HOUSING, KEYING OPTION D 11mm CLIP SLOT	YELLOW	SPS/NYLON GF20
1x6 CONNECTOR HOUSING, KEYING OPTION C 11mm CLIP SLOT	YELLOW	SPS/NYLON GF20
1x6 CONNECTOR HOUSING, KEYING OPTION B 11mm CLIP SLOT	YELLOW	SPS/NYLON GF20
1x6 CONNECTOR HOUSING, KEYING OPTION A 11mm CLIP SLOT	YELLOW	SPS/NYLON GF20
1x6 CONNECTOR HOUSING, KEYING OPTION D 7mm CLIP SLOT	STONE GRAY	SPS/NYLON GF20
1x6 CONNECTOR HOUSING, KEYING OPTION C 7mm CLIP SLOT	DARK GRAY	SPS/NYLON GF20
1x6 CONNECTOR HOUSING, KEYING OPTION B 7mm CLIP SLOT	LIGHT GRAY	SPS/NYLON GF20
1x6 CONNECTOR HOUSING, KEYING OPTION A 7mm CLIP SLOT	BLACK	SPS/NYLON GF20
1x6 CONNECTOR HOUSING, KEYING OPTION D 7mm CLIP SLOT	YELLOW	SPS/NYLON GF20
1x6 CONNECTOR HOUSING, KEYING OPTION C 7mm CLIP SLOT	YELLOW	SPS/NYLON GF20
1x6 CONNECTOR HOUSING, KEYING OPTION B 7mm CLIP SLOT	YELLOW	SPS/NYLON GF20
1x6 CONNECTOR HOUSING, KEYING OPTION A 7mm CLIP SLOT	YELLOW	SPS/NYLON GF20
DESCRIPTION	COLOR	MATERIAL

BOM/APPLICABLE COMPONENTS TABLE

ABBREVIATION	COMPONENT
A	CONNECTOR HOUSING KEYING OPTION A
B	CONNECTOR HOUSING KEYING OPTION B
C	CONNECTOR HOUSING KEYING OPTION C
D	CONNECTOR HOUSING KEYING OPTION D
PLR	PLR

THIS DRAWING CONTAINS INFORMATION THAT IS PROPRIETARY TO MOLEX ELECTRONIC TECHNOLOGIES, LLC AND SHOULD NOT BE USED WITHOUT WRITTEN PERMISSION												
QUALITY SYMBOLS	DRWN: 2020/09/11	CHKD: 2020/09/15	REV: 2020/09/15	GENERAL TOLERANCES (UNLESS SPECIFIED)	DIMENSION UNITS	SCALE				1.2MM 1X4, 1X6 BLADE SEALED ASSEMBLY CABLE SEAL 639764 - REMOVED CPA3 AND REPLACED WITH CPA2 AGAIN 64		
▽ = 0	2020/09/11	2020/09/15	2020/09/15	ANGULAR TOL ± 3.0 °	mm	2:1						
▽ = 0	EC NO: 645203 DRWN: GELLIOTTO1 CHKD: MVANSLAMBROU REV: APPR: MVANSLAMBROU	4 PLACES ±	DRWN BY	DATE	MVANSLAMBROU	2012/07/13	PRODUCT CUSTOMER DRAWING			SERIES: 34899 MATERIAL NUMBER: SEE BOM CUSTOMER: GENERAL MARKET		
▽ = 0		3 PLACES ±	CHKD BY	DATE	VKOSHY	2012/07/19						
▽ = 0		2 PLACES ± 0.1	APPR BY	DATE	VKOSHY	2012/07/24	DOCUMENT NUMBER: SD-34899-6001 DOC TYPE: PSD DOC PART: 001 SHEET NUMBER: 10 OF 11					
▽ = 0		1 PLACE ± 0.2	DRAWING SIZE	THIRD ANGLE PROJECTION	D							
▽ = 0		0 PLACES ± 0.5	DRAFT WHERE APPLICABLE MUST REMAIN WITHIN DIMENSIONS									
▽ = 0												

# 1x6 BLADE SEALED ASSEMBLY BOM FOR WIRE DRESS COVER INTERFACE 2 REFER WIRE DRESS INTERFACE SHEET FOR DETAILS

ASSEMBLY DESCRIPTION	ASSEMBLY PART NUMBER	PRODUCTION TOOL STATUS	COMMENTS
KEYING OPTION D, 11mm CLIP SLOT, STONE GRAY	34899-6123		D SALEABLE
KEYING OPTION C, 11mm CLIP SLOT, DARK GRAY	34899-6122		C SALEABLE
KEYING OPTION B, 11mm CLIP SLOT, LIGHT GRAY	34899-6121		B SALEABLE
KEYING OPTION A, 11mm CLIP SLOT, BLACK	34899-6120		A SALEABLE
KEYING OPTION D, 11mm CLIP SLOT, YELLOW	34899-6113		D SALEABLE
KEYING OPTION C, 11mm CLIP SLOT, YELLOW	34899-6112		C SALEABLE
KEYING OPTION B, 11mm CLIP SLOT, YELLOW	34899-6111		B SALEABLE
KEYING OPTION A, 11mm CLIP SLOT, YELLOW	34899-6110		A SALEABLE
KEYING OPTION D, 7mm CLIP SLOT, STONE GRAY	34899-6093		D SALEABLE
KEYING OPTION C, 7mm CLIP SLOT, DARK GRAY	34899-6092		C SALEABLE
KEYING OPTION B, 7mm CLIP SLOT, LIGHT GRAY	34899-6091		B SALEABLE
KEYING OPTION A, 7mm CLIP SLOT, BLACK	34899-6090		A SALEABLE
KEYING OPTION D, 7mm CLIP SLOT, YELLOW	34899-6083		D SALEABLE
KEYING OPTION C, 7mm CLIP SLOT, YELLOW	34899-6082		C SALEABLE
KEYING OPTION B, 7mm CLIP SLOT, YELLOW	34899-6081		B SALEABLE
KEYING OPTION A, 7mm CLIP SLOT, YELLOW	34899-6080		A SALEABLE

PLR	NATURAL	SPS/NYLON GF20
1x6 CONNECTOR HOUSING, KEYING OPTION D 11mm CLIP SLOT	STONE GRAY	SPS/NYLON GF20
1x6 CONNECTOR HOUSING, KEYING OPTION C 11mm CLIP SLOT	DARK GRAY	SPS/NYLON GF20
1x6 CONNECTOR HOUSING, KEYING OPTION B 11mm CLIP SLOT	LIGHT GRAY	SPS/NYLON GF20
1x6 CONNECTOR HOUSING, KEYING OPTION A 11mm CLIP SLOT	BLACK	SPS/NYLON GF20
1x6 CONNECTOR HOUSING, KEYING OPTION D 11mm CLIP SLOT	YELLOW	SPS/NYLON GF20
1x6 CONNECTOR HOUSING, KEYING OPTION C 11mm CLIP SLOT	YELLOW	SPS/NYLON GF20
1x6 CONNECTOR HOUSING, KEYING OPTION B 11mm CLIP SLOT	YELLOW	SPS/NYLON GF20
1x6 CONNECTOR HOUSING, KEYING OPTION A 11mm CLIP SLOT	YELLOW	SPS/NYLON GF20
1x6 CONNECTOR HOUSING, KEYING OPTION D 7mm CLIP SLOT	STONE GRAY	SPS/NYLON GF20
1x6 CONNECTOR HOUSING, KEYING OPTION C 7mm CLIP SLOT	DARK GRAY	SPS/NYLON GF20
1x6 CONNECTOR HOUSING, KEYING OPTION B 7mm CLIP SLOT	LIGHT GRAY	SPS/NYLON GF20
1x6 CONNECTOR HOUSING, KEYING OPTION A 7mm CLIP SLOT	BLACK	SPS/NYLON GF20
1x6 CONNECTOR HOUSING, KEYING OPTION D 7mm CLIP SLOT	YELLOW	SPS/NYLON GF20
1x6 CONNECTOR HOUSING, KEYING OPTION C 7mm CLIP SLOT	YELLOW	SPS/NYLON GF20
1x6 CONNECTOR HOUSING, KEYING OPTION B 7mm CLIP SLOT	YELLOW	SPS/NYLON GF20
1x6 CONNECTOR HOUSING, KEYING OPTION A 7mm CLIP SLOT	YELLOW	SPS/NYLON GF20

DESCRIPTION	COLOR	MATERIAL
BOM/APPLICABLE COMPONENTS TABLE		

ABBREVIATION	COMPONENT
A	CONNECTOR HOUSING KEYING OPTION A
B	CONNECTOR HOUSING KEYING OPTION B
C	CONNECTOR HOUSING KEYING OPTION C
D	CONNECTOR HOUSING KEYING OPTION D
PLR	PLR

<b>QUALITY SYMBOLS</b> 	THIS DRAWING CONTAINS INFORMATION THAT IS PROPRIETARY TO MOLEX ELECTRONIC TECHNOLOGIES, LLC AND SHOULD NOT BE USED WITHOUT WRITTEN PERMISSION				
	EC NO: 645203 DRWN: GELLIOTTO1 CHKD: MVANSLAMBROU REV APPR: MVANSLAMBROU	2020/09/11 2020/09/15 2020/09/15	GENERAL TOLERANCES (UNLESS SPECIFIED) ANGULAR TOL ± 3.0 ° 4 PLACES ± 3 PLACES ± 2 PLACES ± 0.1 1 PLACE ± 0.2 0 PLACES ± 0.5 DRAFT WHERE APPLICABLE MUST REMAIN WITHIN DIMENSIONS	DIMENSION UNITS: mm SCALE: DRWN BY: MVANSLAMBROU DATE: 2012/07/13 CHKD BY: VKOSHY DATE: 2012/07/19 APPR BY: VKOSHY DATE: 2012/07/24	<b>molex</b>  1.2MM 1X4, 1X6 BLADE SEALED ASSEMBLY CABLE SEAL 639764 - REMOVED CPA3 AND REPLACED WITH CPA2 AGAIN 64  PRODUCT CUSTOMER DRAWING SERIES: 34899 MATERIAL NUMBER: SEE BOM CUSTOMER: GENERAL MARKET
	B17	D		DOCUMENT NUMBER: SD-34899-6001 DOC TYPE: PSD DOC PART: 001 SHEET NUMBER: 11 OF 11	
	RELEASE STATUS: P1 RELEASE DATE: 2020/09/15 14:05:24				