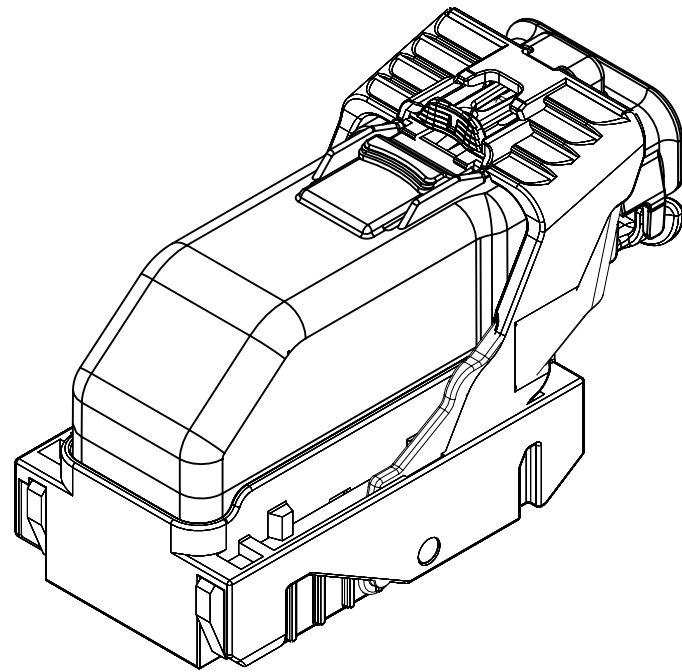

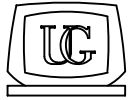


INDEX	
PAGE TITLE	PAGE
TITLE BLOCK	1
REVISION BLOCK	2
PART BLOCK	3
KPC BLOCK	4
COMPONENT TABLE	5
NOTES	6
NOTES	7
WIRE DRESS PACKAGING DIMENSIONS	8
LOCATION AND PACKAGING DIMENSIONS REFERENCING INTERFACE DATUMS B & C	9
LOCATION AND PACKAGING DIMENSIONS REFERENCING INTERFACE DATUM A	10
KEY ID REF - WIRE DRESS OPTION 0	11
KEY ID REF - WIRE DRESS OPTION 9	12
CIRCUIT CONFIGURATIONS	13
CIRCUIT CONFIGURATIONS	14
COMPONENT CONNECTOR INTERFACE	15
COMPONENT CONNECTOR INTERFACE	16
COMPONENT CONNECTOR INTERFACE	17
COMPONENT CONNECTOR INTERFACE	18
COMPONENT CONNECTOR INTERFACE	19
COMPONENT CONNECTOR INTERFACE	20
COMPONENT CONNECTOR INTERFACE	21




ISO VIEW

	<p>UNLESS OTHERWISE SPECIFIED: THIS DOCUMENT IS IN ACCORDANCE WITH ASME Y14.5M-1994 AS AMMENDED BY THE GM GLOBAL DIMENSIONING AND TOLERANCING ADDENDUM-1997. ALL GEOMETRIC TOLERANCES AND RELATED DATUMS APPLY RFS. RULE #1 (PERFECT FORM AT MMC) DOES NOT APPLY WHEN A RELATIONSHIP BETWEEN FEATURES IS ESTABLISHED BY ORIENTATION OR LOCATION TOLERANCES. SEPARATE POSITION CALLOUTS MAY BE GAGED SEPARATELY REGARDLESS OF DATUM REFERENCES.</p>			DATE						
	 CHANGE RESTRICTED NO MANUAL CHANGES	REFERENCE 12H (MOLEX AUTOMOTIVE)	DRAFTER J SZYMKOWSKI APVD1 D PFAFFINGER APVD2 B BURT APVD3 APVD4 APVD5	22DE05 22DE05 22DE05 						
DO NOT SCALE	DRAWING NAME HARNESS CONN ASM 66/73/80 CKTS									
METRIC DIMENSIONS SHOWN IN MILLIMETERS UNLESS OTHERWISE SPECIFIED	DRAWING NUMBER 12642695		DWG STATUS <table border="1"> <tr> <td>ST</td> <td>REV</td> <td>PD1</td> </tr> <tr> <td>R</td> <td>002</td> <td></td> </tr> </table>		ST	REV	PD1	R	002	
ST	REV	PD1								
R	002									
			PAGE NUMBER 1 OF 21							

PAGE	DWG STATUS					REVISION HISTORY	AUTH	DR	CK	ENG
	DATE	ST	REV	CHG	PDI					
	19DE11	R	001			RELEASED TO PRODUCTION AT DLS A	CRMRJB	SC	MRO	GF
3	08MY15	R	002	A		REORDERED PART BLOCK AND ADDED MASS CORRECTED P/N TYPO FROM 12562676 TO 12582676				
3, 5		R	002	B		ADDED 12659312, 12659313, 12653574 AND 12653575				
6		R	002	C		REMOVED NOTE 1 . D . 3 . C				
20		R	002	D		DIM 125 WAS 3.25 DIM 131 WAS 5.5	CRMRJD	DFK	MRO	GF

PAGE	DWG STATUS					REVISION HISTORY	AUTH	DR	CK	ENG
	DATE	ST	REV	CHG	PDI					

	PAGE TITLE	DRAWING NUMBER	DWG STATUS			PAGE NUMBER	
	REVISION BLOCK		12642695	ST	REV	PDI	2 OF 21
				R	002		

KEY PRODUCT CHARACTERISTICS
(IN ACCORDANCE WITH QN 1805 OR ON 1050)



SAFETY/COMPLIANCE

TOTAL ON
DRAWING

5



FIT/FUNCTION

LAST NO.
USED

5

NO	TYPE	DESCRIPTION	RATIONALE	PAGE/ZONE
1	F/F	32.68	IMPROVE CONNECTOR SYSTEM MATING	15
2	F/F	29.00	INSURE PROPER RELEASE OF LEVER	15
3	F/F	15.25	INSURE FINAL MATE POSITION	16
5	F/F	POSITIONAL TOLERANCE (2 PLACES)	INSURE CONNECTOR SYSTEM MATEABILITY	19



PAGE TITLE
KPC BLOCK

DRAWING NUMBER

12642695

DWG STATUS

ST	REV	PD1
----	-----	-----

R	002	
---	-----	--

PAGE NUMBER

4 OF 21

LINE	MFG.	MFG. P/N	GM P/N	EFFECTIVE DATE	APPLICABLE COMPONENTS	KEY OPTION	WIRE DRESS OPTION	KEY CONFIG.	COLOR	STATUS
					DESCRIPTION					
-										
1	MOLEX	34565-0003	12582676	02JN03	MX123 DRESS COVER 66/73/80 CKT	N/A	N/A	N/A	BLACK	AVAILABLE
2	MOLEX	34822-0013	12642692	01SP13	MX123 HRNS CONN ASSY 66 CKT	A	0	1458	BLACK	AVAILABLE
3	MOLEX	34822-0033	12659312	01SP13	MX123 HRNS CONN ASSY 66 CKT	C	0	2467	BLUE	AVAILABLE
4	MOLEX	34822-0023	12642693	01SP13	MX123 HRNS CONN ASSY 66 CKT	A	9	1458	BLACK	AVAILABLE
5	MOLEX	34822-0043	12659313	01SP13	MX123 HRNS CONN ASSY 66 CKT	C	9	2467	BLUE	AVAILABLE
6	MOLEX	34566-0103	12582677	11JN04	MX123 HRNS CONN ASSY 73 CKT	A	0	1458	BLACK	AVAILABLE
7	MOLEX	34566-0203	12582678	11JN04	MX123 HRNS CONN ASSY 73 CKT	B	0	1468	ST GRAY	AVAILABLE
8	MOLEX	34566-0303	12615654	09AP08	MX123 HRNS CONN ASSY 73 CKT	C	0	2467	BLUE	AVAILABLE
9	MOLEX	34566-0403	12647268	T.B.D	MX123 HRNS CONN ASSY 73 CKT	D	0	2367	BROWN	NOT ACTIVE
10	MOLEX	34566-0503	AMJ28633	T.B.D	MX123 HRNS CONN ASSY 73 CKT	E	0	2468	GREEN	NOT ACTIVE
11	MOLEX	34566-0603	12653574	05DC14	MX123 HRNS CONN ASSY 73 CKT	F	0	1357	NATURAL	AVAILABLE
12	MOLEX	34566-0703	12588057	09AP08	MX123 HRNS CONN ASSY 80 CKT	G	0	1358	BLUE	AVAILABLE
13	MOLEX	34566-0803	12588058	11JN04	MX123 HRNS CONN ASSY 80 CKT	H	0	2458	ST GRAY	AVAILABLE
14	MOLEX	34566-0903	12615656	T.B.D	MX123 HRNS CONN ASSY 80 CKT	J	0	2457	BLACK	NOT ACTIVE
15	MOLEX	34566-1003	AMJ28595	T.B.D	MX123 HRNS CONN ASSY 80 CKT	K	0	2357	BROWN	NOT ACTIVE
16	MOLEX	34566-1103	AMJ29057	T.B.D	MX123 HRNS CONN ASSY 80 CKT	L	0	2368	GREEN	NOT ACTIVE
17	MOLEX	34566-1203	AMJ28669	T.B.D	MX123 HRNS CONN ASSY 80 CKT	M	0	2358	NATURAL	NOT ACTIVE
18	MOLEX	34566-1303	12603596	11JN04	MX123 HRNS CONN ASSY 73 CKT	A	9	1458	BLACK	AVAILABLE
19	MOLEX	34566-1403	12603597	11JN04	MX123 HRNS CONN ASSY 73 CKT	B	9	1468	ST GRAY	AVAILABLE
20	MOLEX	34566-1503	12615655	09AP08	MX123 HRNS CONN ASSY 73 CKT	C	9	2467	BLUE	AVAILABLE
21	MOLEX	34566-1603	12647269	T.B.D	MX123 HRNS CONN ASSY 73 CKT	D	9	2367	BROWN	NOT ACTIVE
22	MOLEX	34566-1703	AMJ28698	T.B.D	MX123 HRNS CONN ASSY 73 CKT	E	9	2468	GREEN	NOT ACTIVE
23	MOLEX	34566-1803	12653575	05DC14	MX123 HRNS CONN ASSY 73 CKT	F	9	1357	NATURAL	AVAILABLE
24	MOLEX	34566-1903	12603598	09AP08	MX123 HRNS CONN ASSY 80 CKT	G	9	1358	BLUE	AVAILABLE
25	MOLEX	34566-2003	12603599	11JN04	MX123 HRNS CONN ASSY 80 CKT	H	9	2458	ST GRAY	AVAILABLE
26	MOLEX	34566-2103	12615657	T.B.D	MX123 HRNS CONN ASSY 80 CKT	J	9	2457	BLACK	NOT ACTIVE
27	MOLEX	34566-2203	AMJ29117	T.B.D	MX123 HRNS CONN ASSY 80 CKT	K	9	2357	BROWN	NOT ACTIVE
28	MOLEX	34566-2303	AMJ29136	T.B.D	MX123 HRNS CONN ASSY 80 CKT	L	9	2368	GREEN	NOT ACTIVE
29	MOLEX	34566-2403	AMJ29214	T.B.D	MX123 HRNS CONN ASSY 80 CKT	M	9	2358	NATURAL	NOT ACTIVE
30	MOLEX	34736-2002	12642697	01AU10	MX64 RCPT TERM Ag 18/20 GAGE B (RIGHT PAYOFF)	N/A	N/A	N/A	N/A	AVAILABLE
31	MOLEX	34736-2001	12642696	01AU10	MX64 RCPT TERM Ag 22 GAGE B (RIGHT PAYOFF)	N/A	N/A	N/A	N/A	AVAILABLE
32	MOLEX	34586-0001	T.B.D.	11JN04	MX123 0.64MM GROMMET PLUG	N/A	N/A	N/A	NATURAL	AVAILABLE
33	YAZAKI	7116-4150-02	12588066	02JN03	2.8mm YESC SEALED FEMALE TERMINAL TIN 20/22 GAGE (CABLE RANGE 0.30mm-0.60mm)	N/A	N/A	N/A	N/A	NOT ACTIVE
34	YAZAKI	7116-4151-02	12588067	02JN03	2.8mm YESC SEALED FEMALE TERMINAL TIN 16/18 GAGE (CABLE RANGE 0.75mm-1.40mm)	N/A	N/A	N/A	N/A	NOT ACTIVE
35	YAZAKI	7116-4152-02	12582685	02JN03	2.8mm YESC SEALED FEMALE TERMINAL TIN 14 GAGE (CABLE RANGE 1.50mm-2.50mm)	N/A	N/A	N/A	N/A	AVAILABLE
36	YAZAKI	7158-3111-60	12588068	02JN03	2.8mm CABLE SEAL (wire O.D. range 1.20mm-1.90mm)	N/A	N/A	N/A	GREEN	NOT ACTIVE
37	YAZAKI	7158-3112-70	12588069	02JN03	2.8mm CABLE SEAL (wire O.D. range 1.80mm-2.30mm)	N/A	N/A	N/A	YELLOW	NOT ACTIVE
38	YAZAKI	7158-3113-40	12582686	02JN03	2.8mm CABLE SEAL (wire O.D. range 2.18mm-3.00mm)	N/A	N/A	N/A	WHITE	AVAILABLE
39	YAZAKI	7158-3114-90	T.B.D	02JN03	2.8mm YESC CAVITY PLUG	N/A	N/A	N/A	BLUE	AVAILABLE
40	MOLEX	63811-4200	XX019825	02JN03	MX64 TERM HAND CRIMP TOOL	N/A	N/A	N/A	N/A	AVAILABLE
41	MOLEX	63813-1400	XX019826	02JN03	MX64 TERM SERVICE TOOL	N/A	N/A	N/A	N/A	AVAILABLE
42	MOLEX	63865-8000	XX019827	02JN03	MX64 CRIMP APPLICATOR with TOOL KIT 18/20 GAGE PAYOFF DIRECTION D (left payoff) (contact Molex for payoff detail)	N/A	N/A	N/A	N/A	AVAILABLE
43	MOLEX	63865-8070	XX019828	02JN03	MX64 APPLICATOR TOOL KIT 18/20 GAGE	N/A	N/A	N/A	N/A	AVAILABLE
44	MOLEX	63865-8100	XX019829	02JN03	MX64 CRIMP APPLICATOR with TOOL KIT 22 GAGE PAYOFF DIRECTION D (left payoff) (contact Molex for payoff detail)	N/A	N/A	N/A	N/A	AVAILABLE
45	MOLEX	63865-8170	XX019830	02JN03	MX64 APPLICATOR TOOL KIT 22 GAGE	N/A	N/A	N/A	N/A	AVAILABLE
46	SPX	J35616-64	T.B.D.	02JN03	0.64mm PROBE TOOL (for rcpt)	N/A	N/A	N/A	N/A	AVAILABLE
47	SPX	J35616-64A	T.B.D.	02JN03	0.64mm PROBE TOOL WITH EXT (for rcpt)	N/A	N/A	N/A	N/A	AVAILABLE
48	SPX	J35616-65	T.B.D.	02JN03	0.64mm PROBE TOOL WITH EXT (for pin)	N/A	N/A	N/A	N/A	AVAILABLE
49	SPX	J35616-4A	T.B.D.	02JN03	2.8mm PROBE TOOL (for rcpt)	N/A	N/A	N/A	N/A	AVAILABLE
50	YAZAKI	X39899-J374	12094430	02JN03	2.8mm TERM SERVICE TOOL	N/A	N/A	N/A	N/A	AVAILABLE

002B

* - MX123 DRESS COVER 73/80/66 CKT MATES TO ANY MX123 HARN CONN ASSY SHOWN ON TABLE ABOVE



PAGE TITLE
COMPONENT TABLE

DRAWING NUMBER

12642695

DWG STATUS

ST	REV	PD1
R	002	

PAGE NUMBER

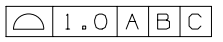
5 OF 21

NOTES: UNLESS OTHERWISE SPECIFIED

1. MATERIAL FOR INTERFACE:

- A. RESIN:
 - 1. 30% G.F. PBT; 20% MAX. (BY WEIGHT) REGRIND.
 - 2. MATING CONNECTOR INTERFACE PART COLOR MUST BE SAME AS MATCHING KEYED HARNESS CONNECTOR ASSEMBLY.
 - 3. MUST BE VALIDATED FOR INDIVIDUAL DEVICE APPLICATION REQUIREMENTS.
- B. 0.64MM PINS:
 - 1. BASE MATERIAL: COPPER ALLOY; CONDUCTIVITY >= 28% IACS AT 20°C; TENSILE STRENGTH >= 635 N/mm²; SURFACE ROUGHNESS R_a 6 MAX.
 - 2. PLATING FINISH: SILVER (Ag). PLATING TO BE 1.9-3.3 μm ELECTRODEPOSITED SEMI-BRIGHT SILVER OVER 1.25-2.25 μm DUCTILE SULPHAMATE NICKEL PER NOTE 1(D).
 - 3. ANTI-TARNISH: SYNTHETIC HYDROCARBON CONTACT SURFACE FINISH OR EQUIVALENT APPLIED WITHOUT VOID TO CONTACT AREA (MIN 3.7mm FROM PIN TIP).
- C. 2.8MM BLADE:
 - 1. BASE MATERIAL: COPPER ALLOY; CONDUCTIVITY >= 28% IACS AT 20°C; TENSILE STRENGTH >= 350 N/mm²; SURFACE ROUGHNESS R_a 6 MAX.
 - 2. PLATING FINISH: TIN. PLATING TO BE 2.5-5.0 μm ELECTRODEPOSITED TIN, MATTE FINISH OVER 1.25-2.5 μm DUCTILE SULPHAMATE NICKEL PER NOTE 1(D).
- D. PLATING REQUIREMENTS:
 - 1. SILVER PLATING
 - a. 99.5% PURE SEMI-BRIGHT WITH NO ORGANIC BRIGHTNERS OR CHROMATES.
 - 2. NICKEL PLATING
 - a. ELECTRODEPOSITED DUCTILE SULFAMATE NICKEL WITH A NON-BRIGHTENED FINISH. NO ORGANIC OR BRIGHTENING AGENTS SHALL BE ALLOWED.
 - b. SHALL ONLY BE USED AS AN UNDERLYING PLATING AND MAY NOT BE USED AS AN ELECTRICAL CONTACT SURFACE PLATING.
 - c. SHALL BE NODULE FREE WHEN VIEWED AT 10X MAGNIFICATION IN MEASURED IN CONTACT SURFACE AREA PLUS 0.5MM PERIMETER AROUND THE CONTACT SURFACE AREA.
 - d. ALL PLATINGS SHALL HAVE A 1.0% MAXIMUM BY WEIGHT IMPURITIES. IMPURITIES ARE DEFINED AS ALL ELEMENTS NOT THE PRIMARY PLATING OR HARDENING AGENT IF APPLICABLE, AS DETERMINED BY WET CHEMICAL ANALYSIS OR AUGER METHOD. NO SINGLE IMPURITY SHALL EXCEED 0.1% MAXIMUM BY WEIGHT.
 - 3. TESTING
 - a. THICKNESS TO BE MEASURED IN CONTACT SURFACE AREA PLUS 0.5MM PERIMETER AROUND THE CONTACT SURFACE AREA AS DESIGNATED IN THE DRAWING. THICKNESS SHALL BE DETERMINED BY METHOD OF X-RAY (XRF).
 - b. PLATING ADHESION SHALL BE TESTED BY A BEND TEST FOR ALL METALS. THE TEST SAMPLE SHALL BE BENT 90 DEGREES TO DETERMINE DEPOSIT ADHESION. TESTING SHALL BE COMPLETED IN ACCORDANCE WITH ASTM SPEC B571.


2. DESIGN - GENERAL:

- A. THIS IS A 100% CAD GENERATED PART. THE CAD MATHEMATICAL DATA IS THE MASTER FOR THIS PART. FOR DIMENSIONAL OR ANY INFORMATION NOT SHOWN ON THIS DRAWING, ANALYZE THE CAD MODEL.
- B. TOLERANCES:
 - 1. LINEAR
 - 0.X ± 0.30
 - 0.XX ± 0.10
 - 0.XXX ± 0.10
 - 2. ANGULAR X° ± 3°
 - 3. 
- C. MINIMUM WALL THICKNESS REQUIRED: 1.3mm.
- D. CORNERS SHOWN AS SHARP TO BE R 0.2 MAX.
- E. LETTERING SHALL BE 0.15 MAX RAISED IN 0.20 MAX RECESS PAD. THIS INCLUDES MATERIAL CODE, RECYCLING CODE, CAVITY ID AND DATE CODE.
- F-1. PARTS MUST BE FREE OF DISCOLORATION, SALT RESIDUE AND OTHER IMPERFECTIONS THAT AFFECT FIT OR FUNCTION.
- F-2. SCRATCHES OR DENTS NOT TO EXCEED 0.013mm IN DEPTH.
- G. FOLLOWING PRODUCTION CODES TO BE PERMANENTLY MARKED & HUMAN READABLE TO A LETTER HEIGHT OF 1.5 ± 0.5MM X 0.3 MAX DEEP
 - 1. MATERIAL #: XXXXX-XXXX
 - 2. DATE CODE: JJYY (JULIAN DAY, LAST DIGIT OF YEAR)
 - 3. INSPECTION MACHINE CODE + SERIAL #: X_XXXXX

3. DESIGN - MANUFACTURING:

- A. DRAFT TO BE WITHIN TOLERANCE.
- B. ALLOWABLE FLASH MAX 0.2 HIGH X MAX 0.13 THICK.
- C. ALLOWABLE PARTING LINE MISMATCH 0.2 MAX.
- D. EJECTOR PINS MARK TO BE FLUSH TO 0.25 MAX DEPRESSED.
- E. ALLOWABLE GATE VESTIGE FLUSH TO 0.25 MAX PROTRUSION.
- F. NO EXTERNAL MOLD RELEASE AGENT ALLOWED DURING MANUFACTURING.
- G. STEEL THAT FORMS THE INDICATED SURFACE MUST BE POLISHED WITH A DIAMOND FINISH (SPI A-2) OVER THE FULL PERIPHERY OF THE TOOL. SURFACE MUST HAVE NO MISMATCH.
- H. ANY PROCESS LUBRICANT REMAINING ON THE TERMINAL MUST NOT VARNISH OR DEGRADE IT'S ELECTRICAL PERFORMANCE UP TO A MAXIMUM CLASS AMBIENT TEMPERATURE PER SAE USCAR-2 FOR 1008 HOURS. PROCESS LUBRICANTS SHOULD BE APPROVED BY THE RESPONSIBLE ENGINEER.
- J. OPTIONAL FEATURES PROVIDED FOR AUTOMATION.
- K. PART MUST BE FREE FROM BURRS AND SHARP EDGES, WHICH MIGHT BE DETRIMENTAL TO SATISFACTORY ASSEMBLY, SAFE HANDLING OR FUNCTION OF PART.
- L. PARTS AS DELIVERED TO ASSEMBLY SHALL BE CLEAN AND FREE OF DEBRIS, RESIDUAL ABRASIVE MATERIAL AND CORROSION PRODUCTS ADVERESLY AFFECTING FUNCTION OR APPEARENCE.
- M. RESTRICTED AND REPORTABLE SUBSTANCES FOR PARTS PER GMW3059.

002C

	PAGE TITLE	DRAWING NUMBER 12642695	DWG STATUS			PAGE NUMBER 6 OF 21
	NOTES		ST	REV	PDI	
			R	002		

NOTES: UNLESS OTHERWISE SPECIFIED

4. SYSTEM REQUIREMENTS:

A. HARNESS CONNECTOR IS COMPATIBLE WITH THE FOLLOWING SAE WIRE SIZE NO'S:

- 14, MEETING SAE J1128
- 18, MEETING SAE J1128, MAX O.D. OF 2.06 MM
- 20, MEETING SAE J1128
- 22, MEETING SAE J1128, MIN O.D. OF 1.47 MM

B. CABLE TIE SPECIFICATIONS:

- 1. CABLE TIE:
 - TENSILE RATING: 220N / (50lbs) MIN
 - TIE LENGTH: 186mm MIN
 - TIE WIDTH: 4.75mm MAX
 - MATERIAL: NYLON
- 2. INSTALLATION:
 - CABLE TIE TENSION: 190N MIN
- 3. DRESSED WIRE BUNDLE PACKAGING: SEE FIG. 1

C. WHEN MATED WITH COMPONENT CONNECTOR INTERFACE AND/OR DRESS COVER, HARNESS CONNECTOR SYSTEM CONFORMS TO THE FOLLOWING:

- 1. SAE/USCAR-2, REV: 3 APRIL, 2001; CLASS 3
- 2. FIELD CORRELATED LIFE TEST, SAE/USCAR-20, NOV. 2001
- 3. GMW #3191 AUGUST 22, 2000 (DRAFT); TEMPERATURE CLASS 3, SEALING CLASS 1, VIBRATION CLASS 2
- 4. RESTRICTED AND REPORTABLE CHEMICALS PER GMW #3059, REV: D AUGUST 2002
- 5. TPA USER FORCES (FULLY POPULATED WITH TERMINALS)
 - a. REMOVAL FROM LOCK TO PRE-SET: <=120N

D. WIRE SPECIFICATIONS:

- 1. WIRE SURFACE MUST BE FREE OF SCRATCHES, GROOVES OR DENTS WHERE FUNCTIONAL

5. TERMINAL CURRENT RATINGS:

ALL TESTING DONE IN ACCORDANCE WITH USCAR-2 REV5 SECTION 5.3

A. MX64 RCPT TERM

- 1. MX64 RCPT TERM Ag 18/20 GAGE CRIMPED TO SAE WIRE SIZE NO.18 AND MATED TO MX123 0.64MM PIN: 11.3 AMPS
- 2. MX64 RCPT TERM Ag 22 GAGE CRIMPED TO SAE WIRE SIZE NO.22 AND MATED TO MX123 0.64MM PIN:8.5 AMPS

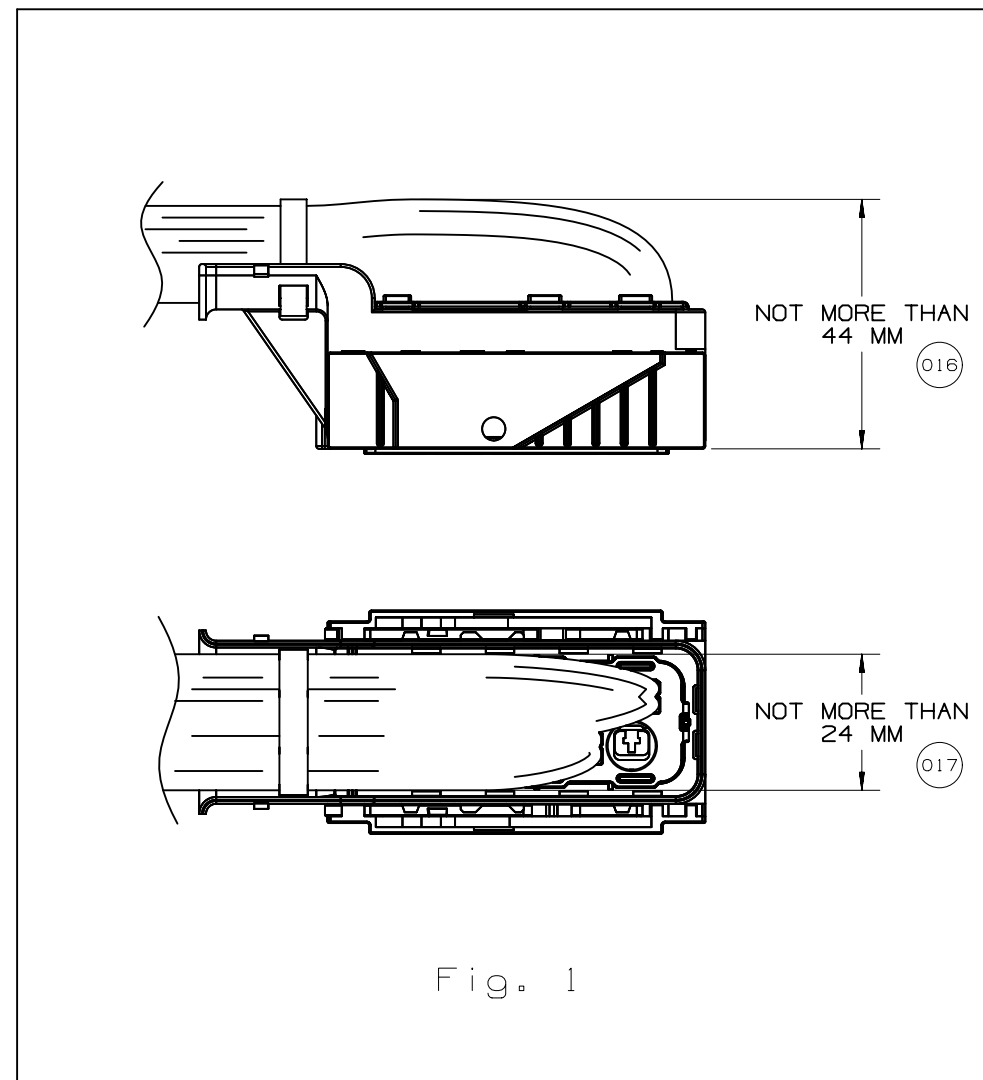
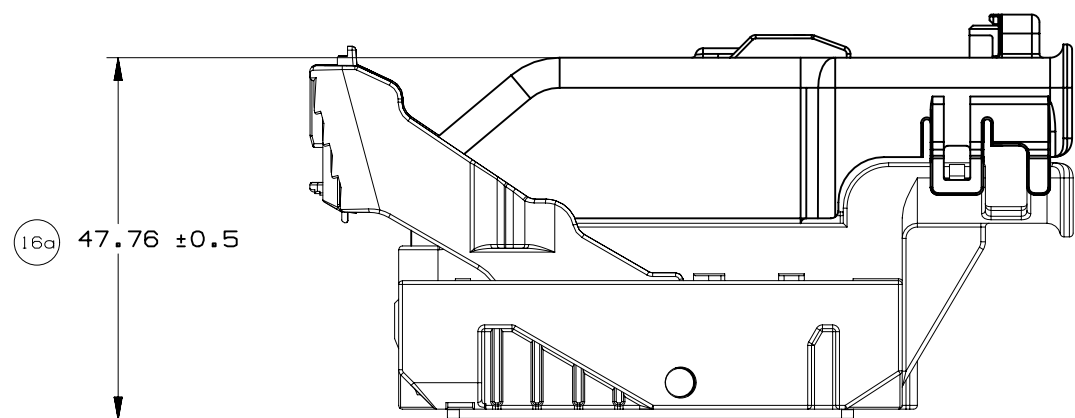
WIRE	CURRENT RATING			
	23°C	85°C	105°C	125°C
18AWG	11.3A	11.3A	9.5A	6.6A
20AWG	10.0A	10.0A	8.3A	5.7A
22AWG	8.6A	8.6A	7.1A	5.0A

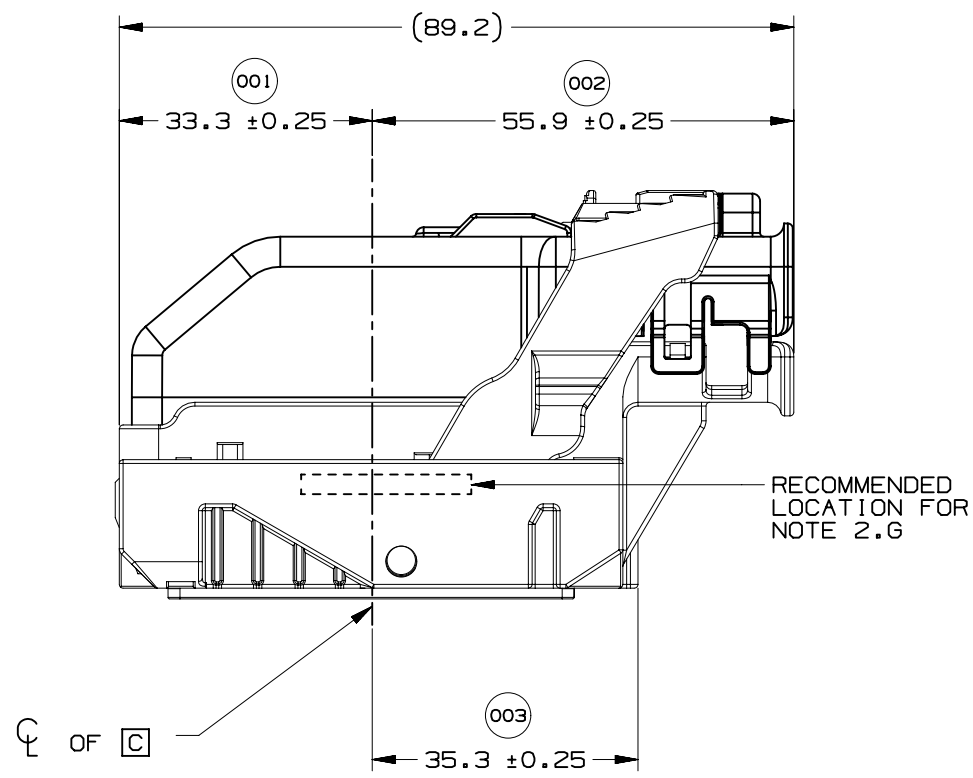
B. 2.8MM RCPT TERM

- 1. 2.8MM RCPT TERM TIN 14 GAGE CRIMPED TO SAE WIRE SIZE NO.14 AND MATED TO MX123 2.8MM BLADE: 25.6 AMPS

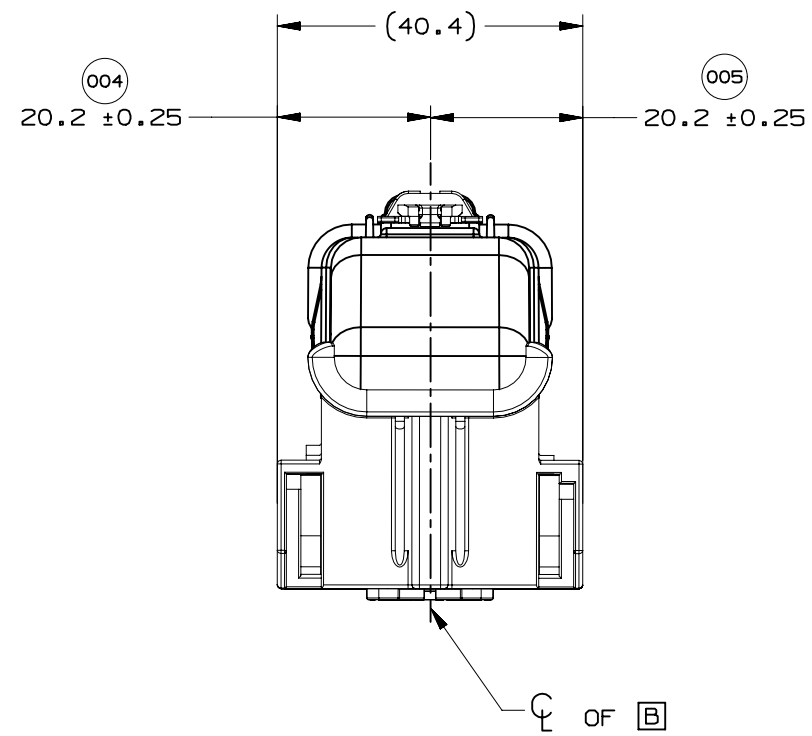
6. CONTACT MOLEX AUTOMOTIVE FOR AVAILABLE CUSTOM PATTERNS OF CAVITIES OPEN FOR CIRCUITS



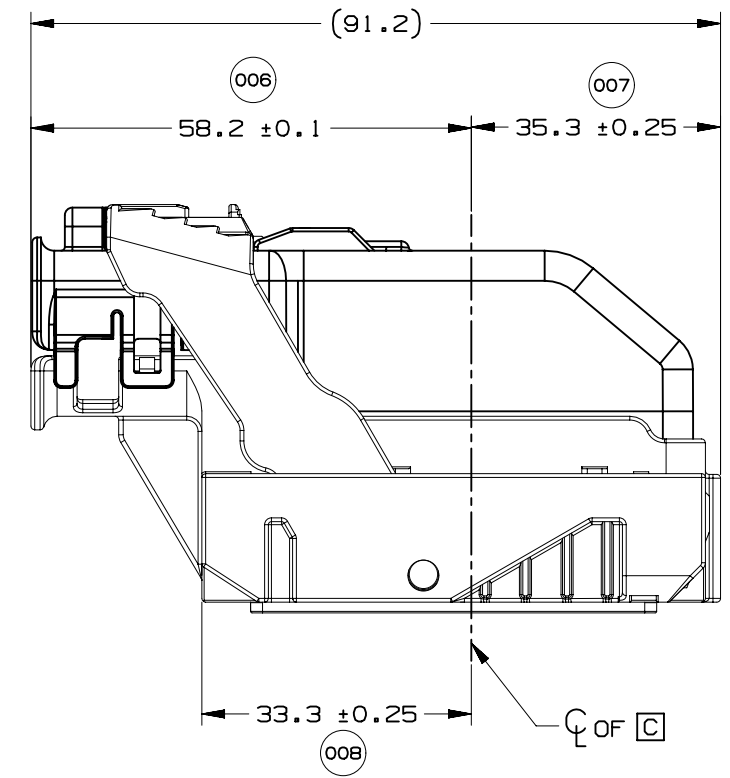




WIRE DRESS OPTION 0 SHOWN

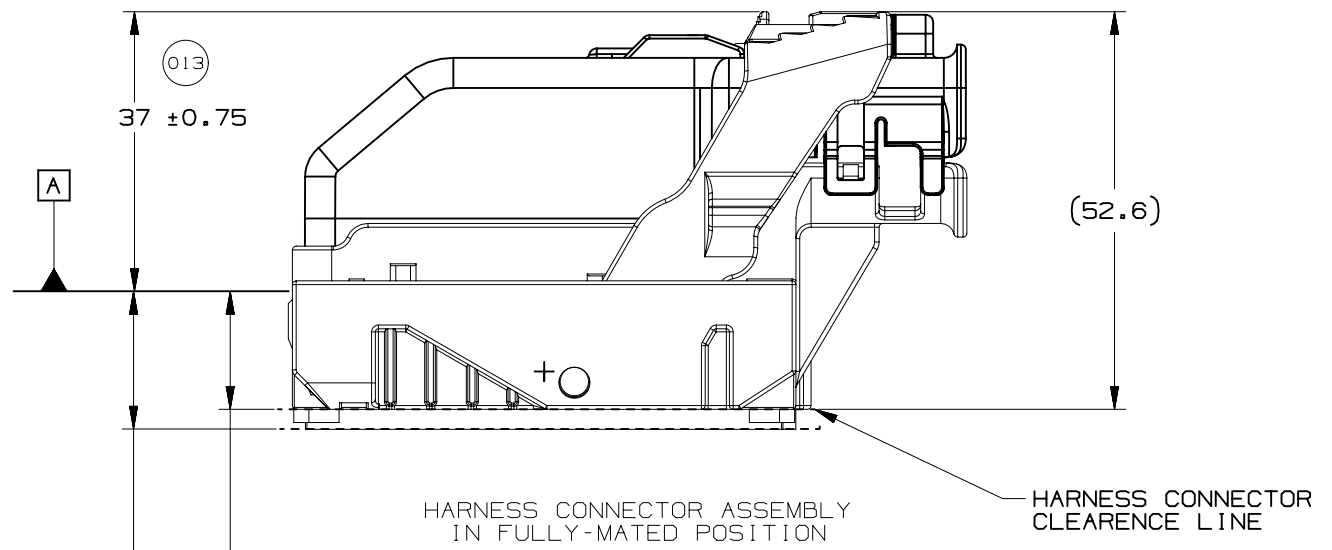
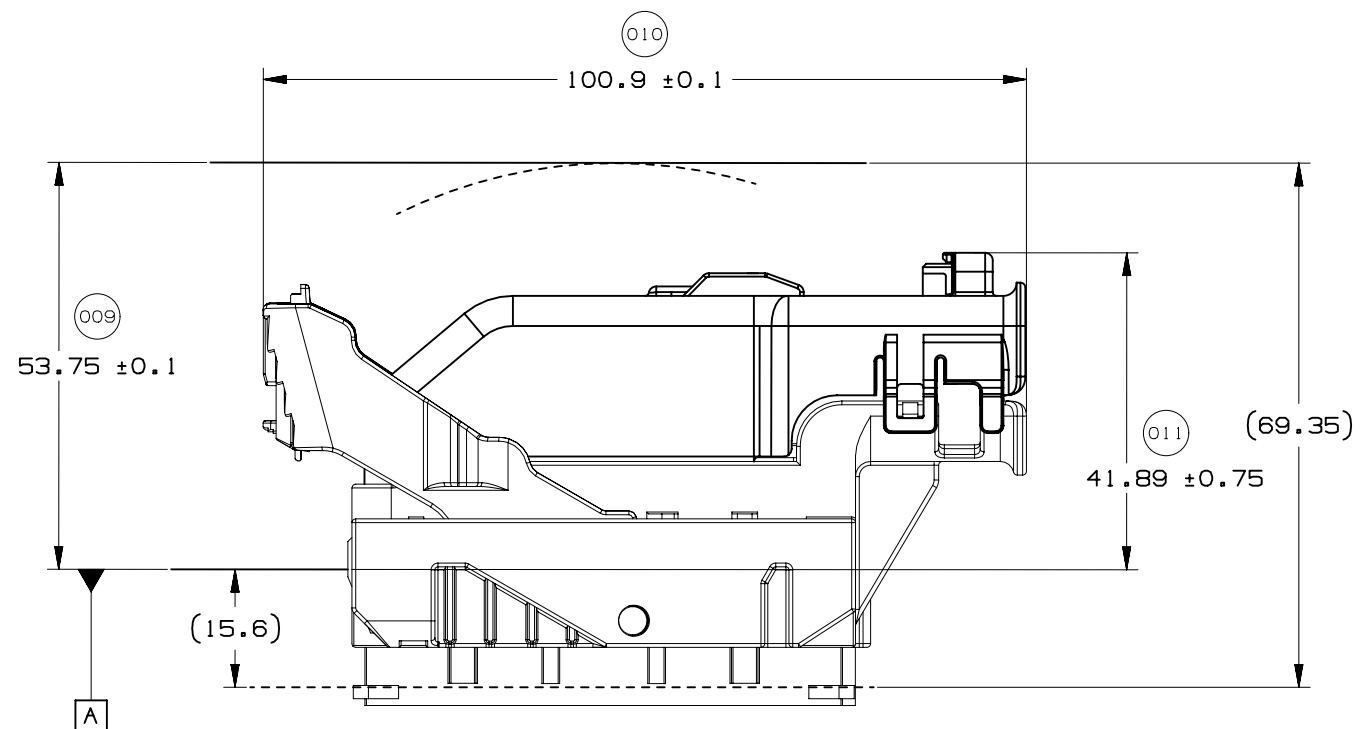
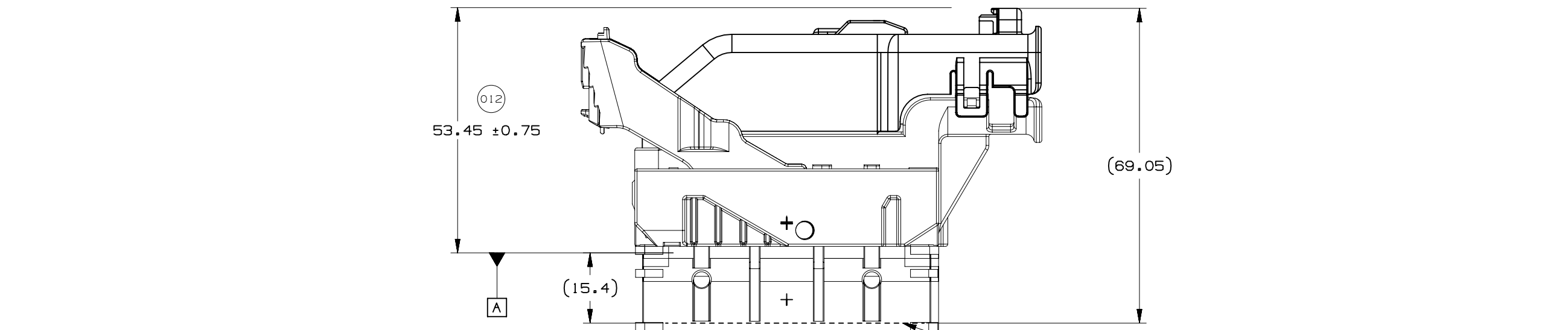


WIRE DRESS OPTION 0 SHOWN



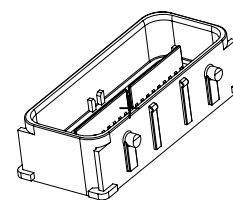
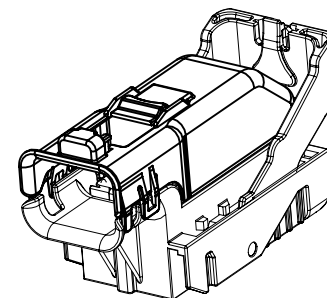
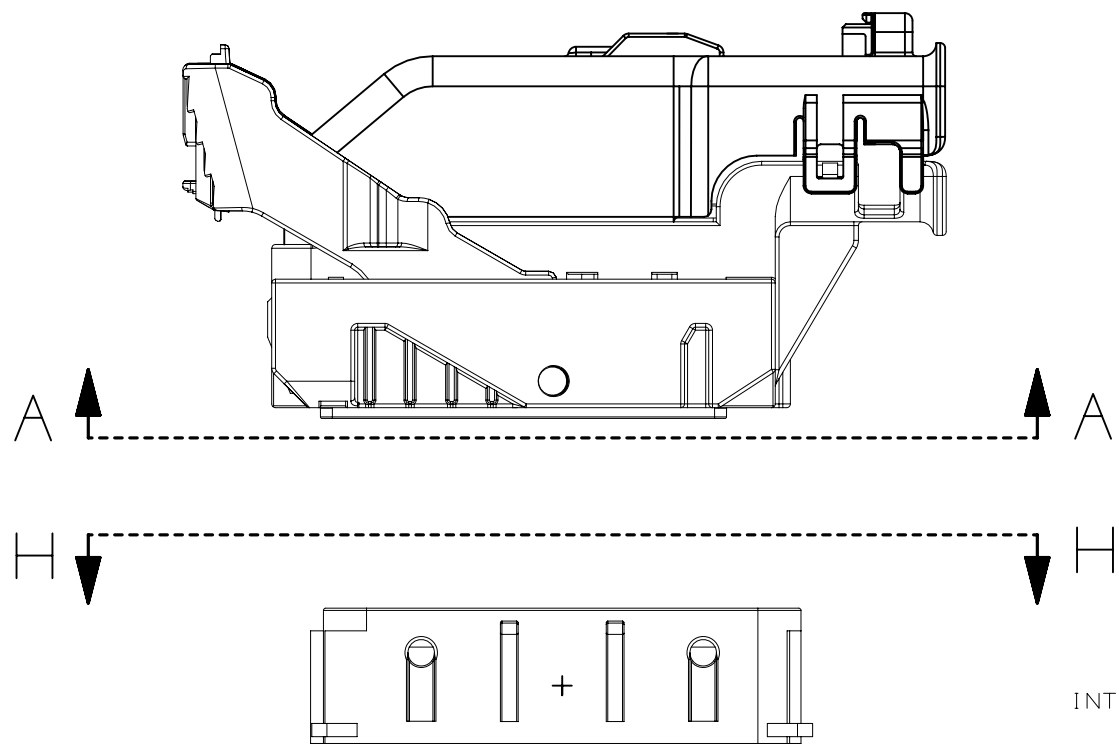
WIRE DRESS OPTION 9 SHOWN





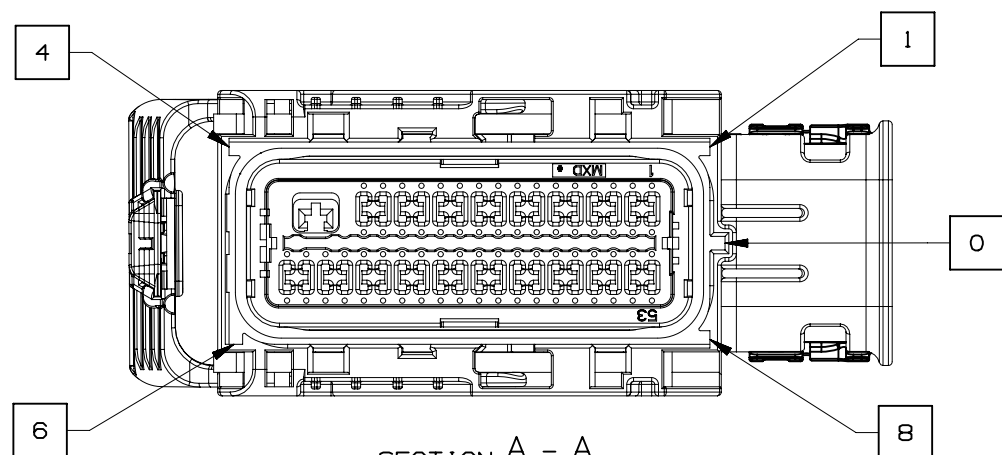
17.9 MIN. AT PAD LOCATION
 CLEARANCE REQUIRED
 FOR HARNESS CONNECTOR
 CONSTRUCTION BELOW THIS
 PLANE IS NOT CONTROLLED

015

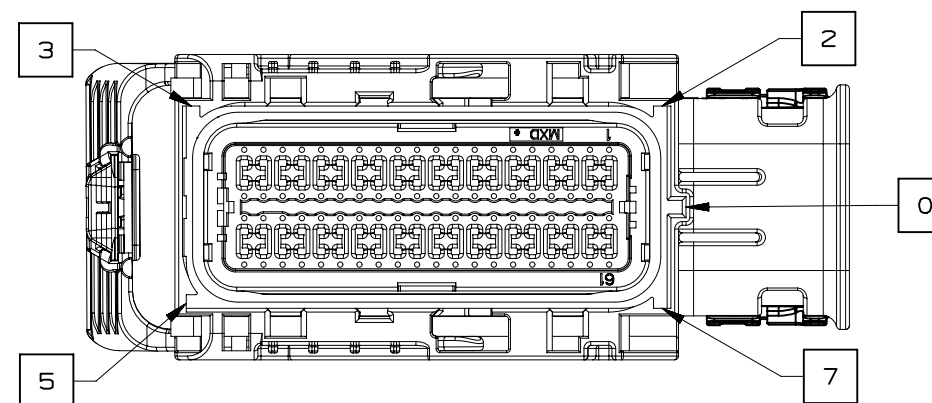


NOTE: REFERENCE THE COMPONENT TABLE FOR KEY OPTIONS AND CONFIGURATIONS

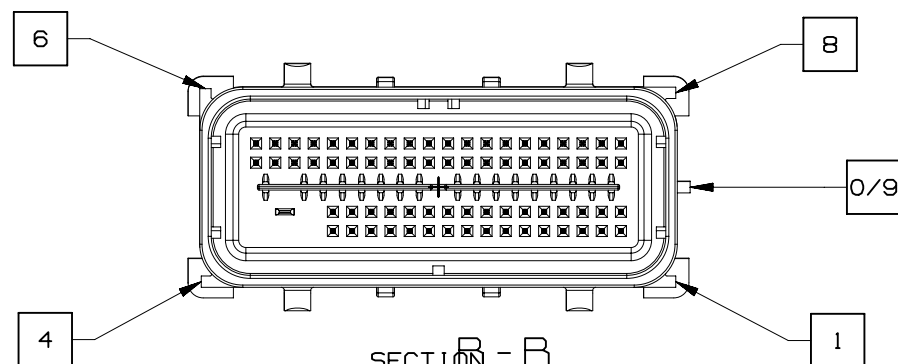
INTERFACE SIDE SHOWN ON ALL SECTION VIEWS



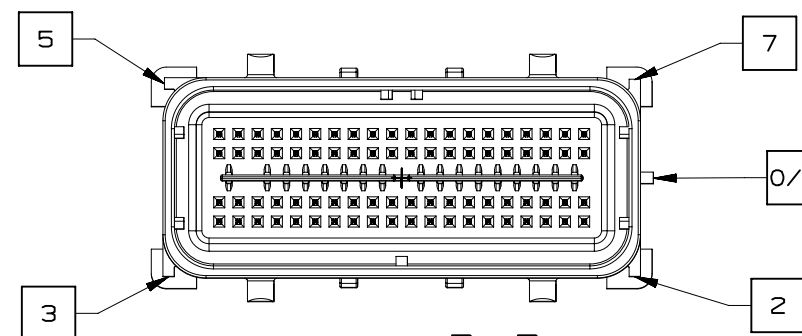
SECTION A - A
KEY OPTION B SHOWN



SECTION A - A
KEY OPTION K SHOWN



SECTION B - B
KEY OPTION B SHOWN



SECTION B - B
KEY OPTION K SHOWN

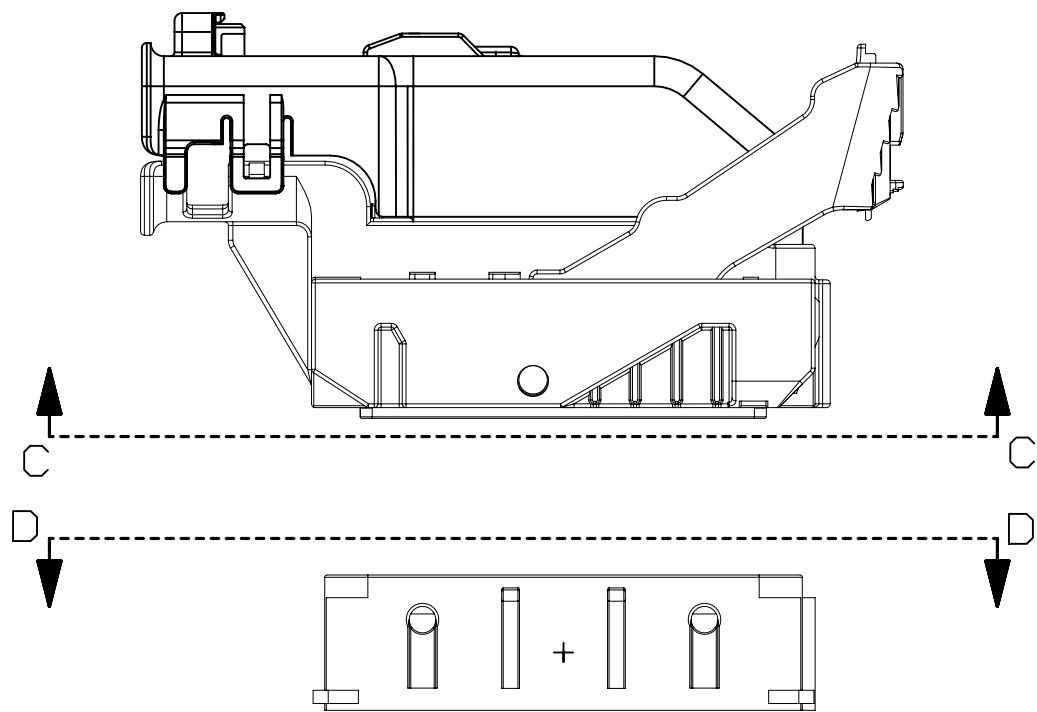


PAGE TITLE
KEY ID REF - WIRE DRESS OPTION 0

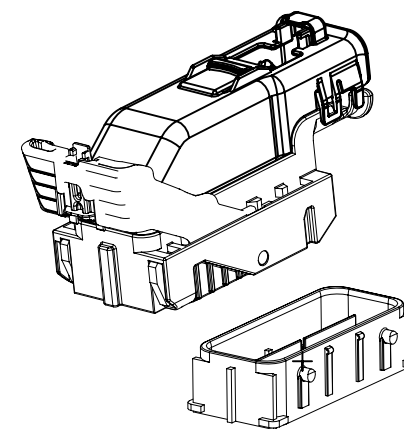
DRAWING NUMBER
12642695

DWG STATUS		
ST	REV	PD1
R	002	

PAGE NUMBER
11 OF 21

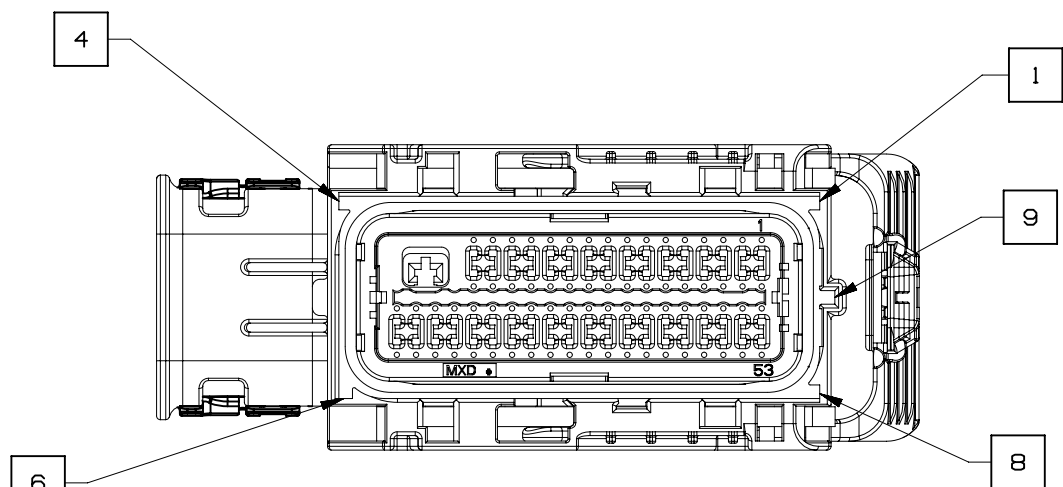


INTERFACE SIDE SHOWN ON ALL SECTION VIEWS

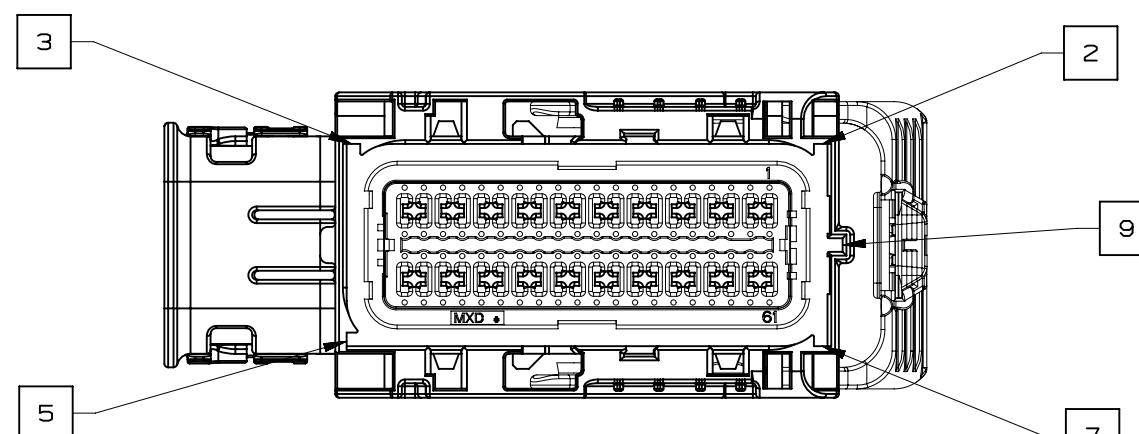


NOTE: REFERENCE THE COMPONENT TABLE FOR KEY OPTIONS AND CONFIGURATIONS

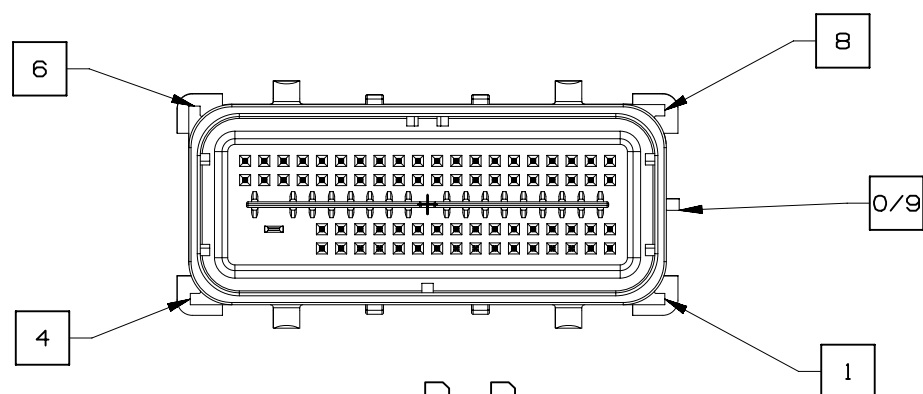
VIEW V



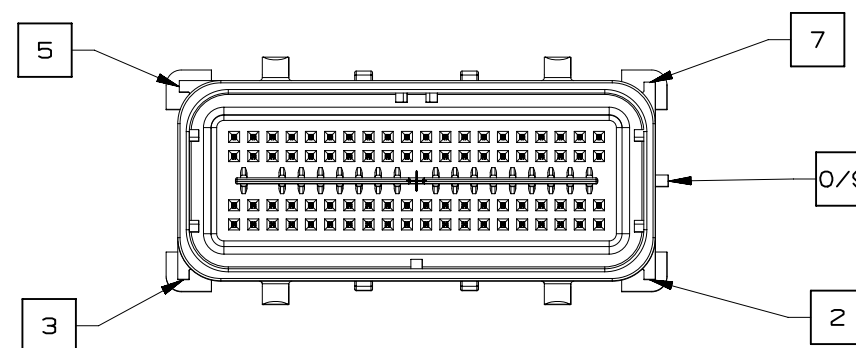
SECTION C-C
KEY OPTION B SHOWN



SECTION C-C
KEY OPTION K SHOWN



SECTION D-D
KEY OPTION B SHOWN



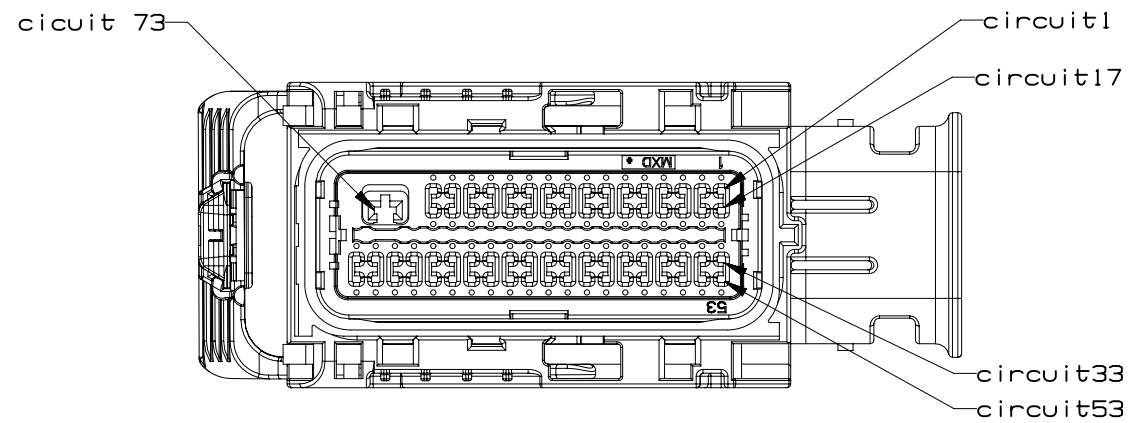
SECTION D-D
KEY OPTION K SHOWN



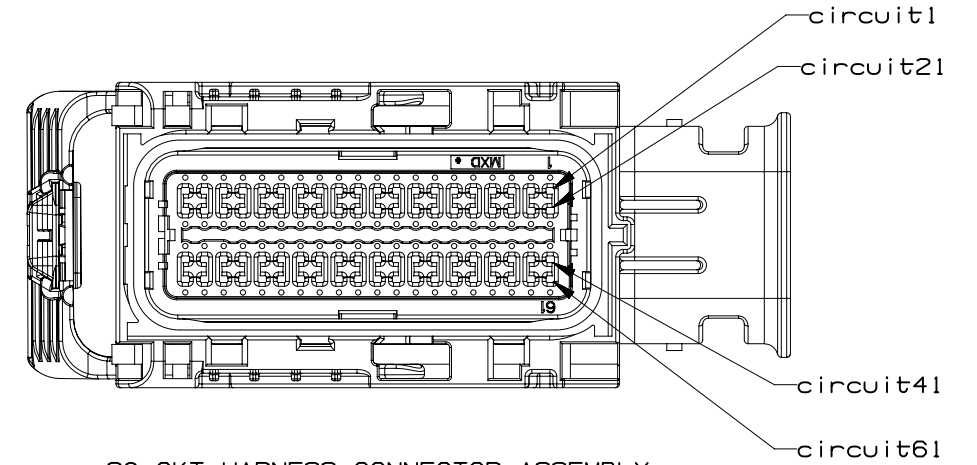
PAGE TITLE
KEY ID REF - WIRE DRESS OPTION 9

DRAWING NUMBER
12642695

DWG STATUS			PAGE NUMBER
ST	REV	PD1	
R	002		12 OF 21

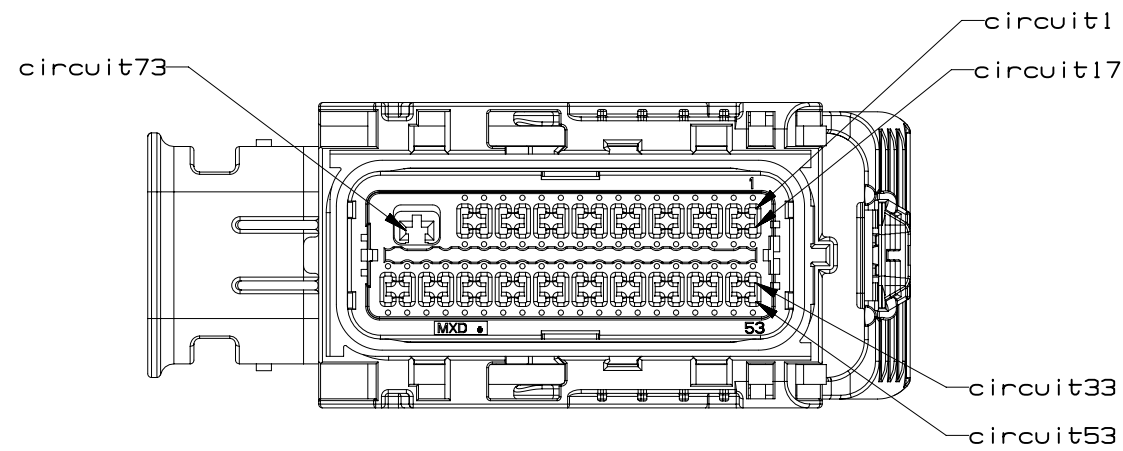


73 CKT HARNESS CONNECTOR ASSEMBLY
WIRE DRESS OPTION 0

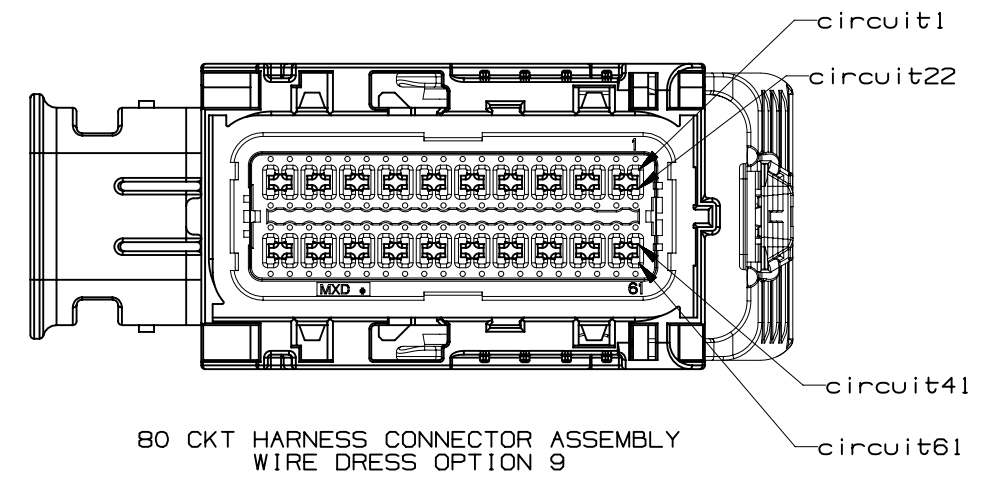


80 CKT HARNESS CONNECTOR ASSEMBLY
WIRE DRESS OPTION 0

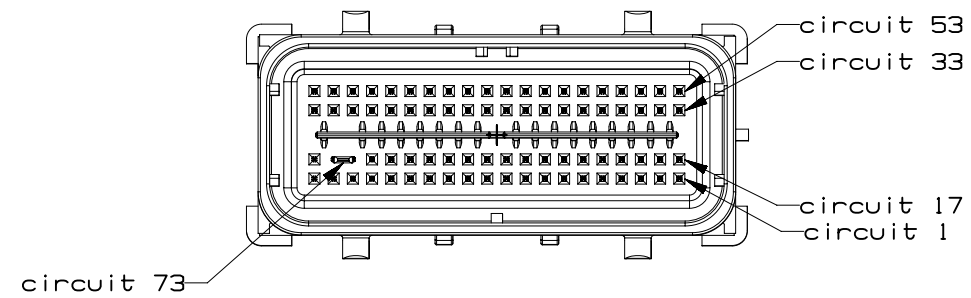
INTERFACE SIDE SHOWN ON ALL VIEWS



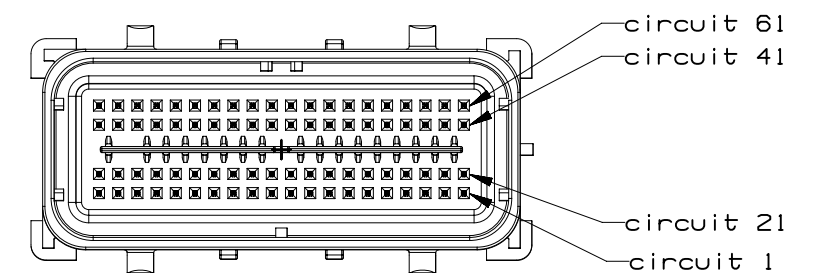
73 CKT HARNESS CONNECTOR ASSEMBLY
WIRE DRESS OPTION 9



80 CKT HARNESS CONNECTOR ASSEMBLY
WIRE DRESS OPTION 9

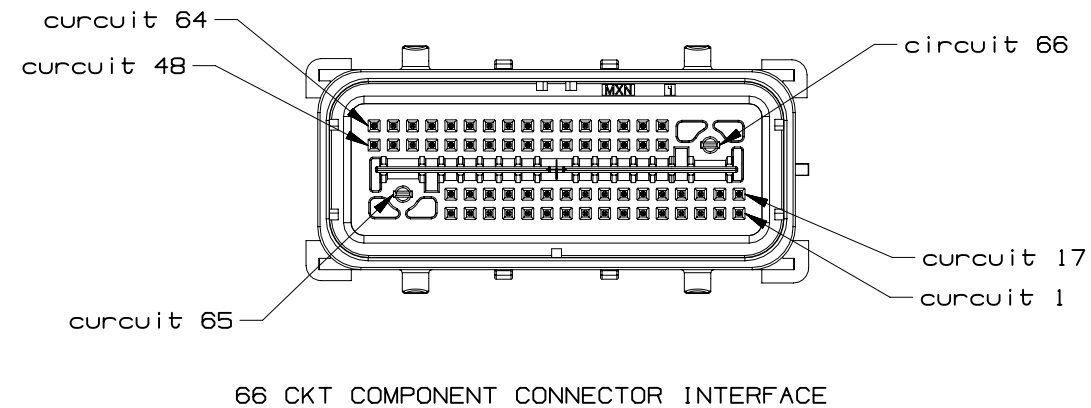
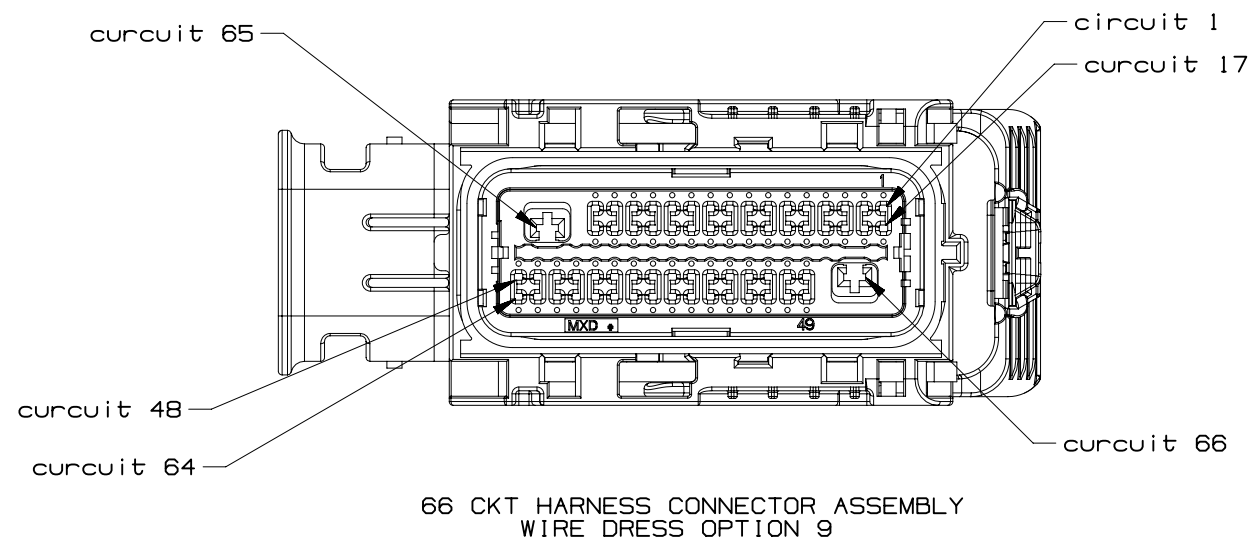
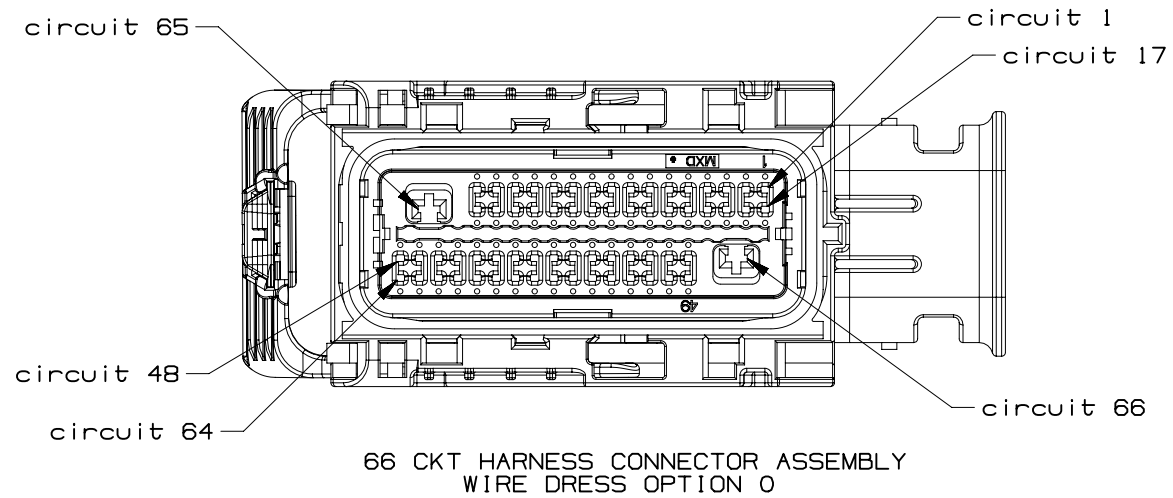



73 CKT COMPONENT CONNECTOR INTERFACE

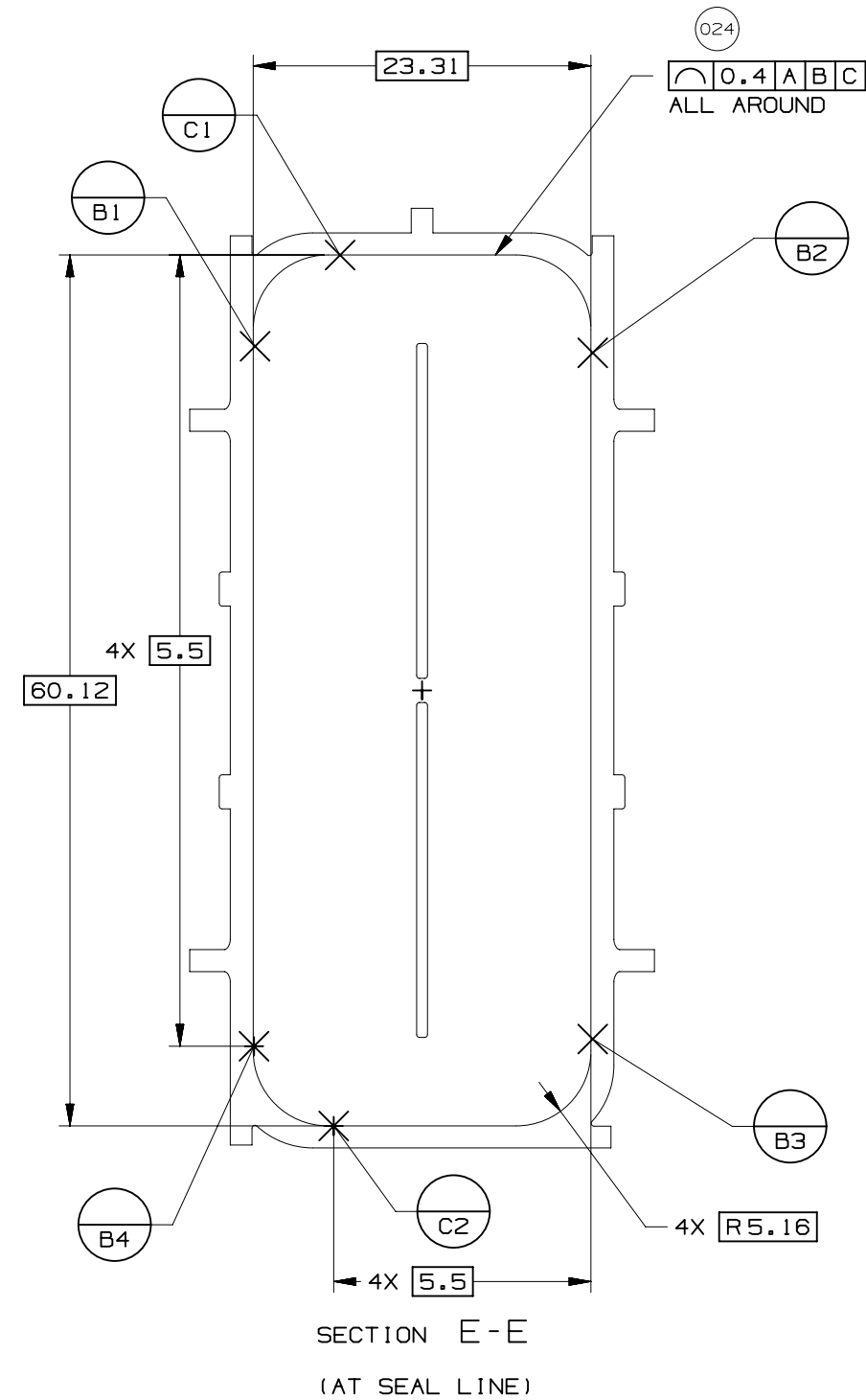
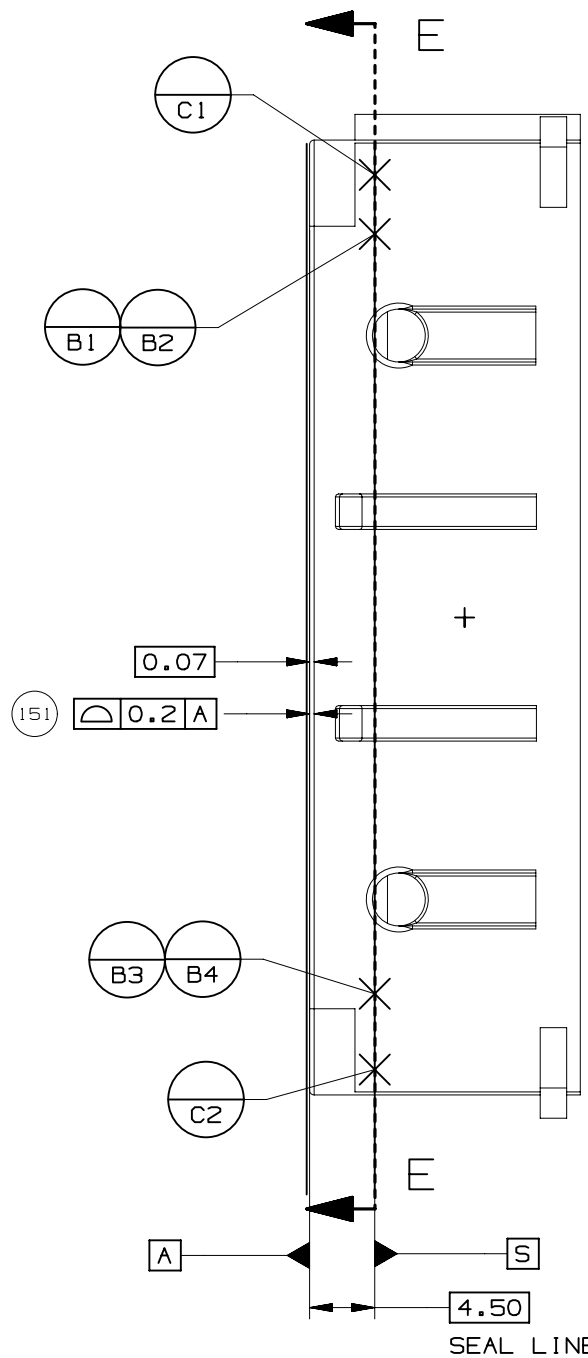
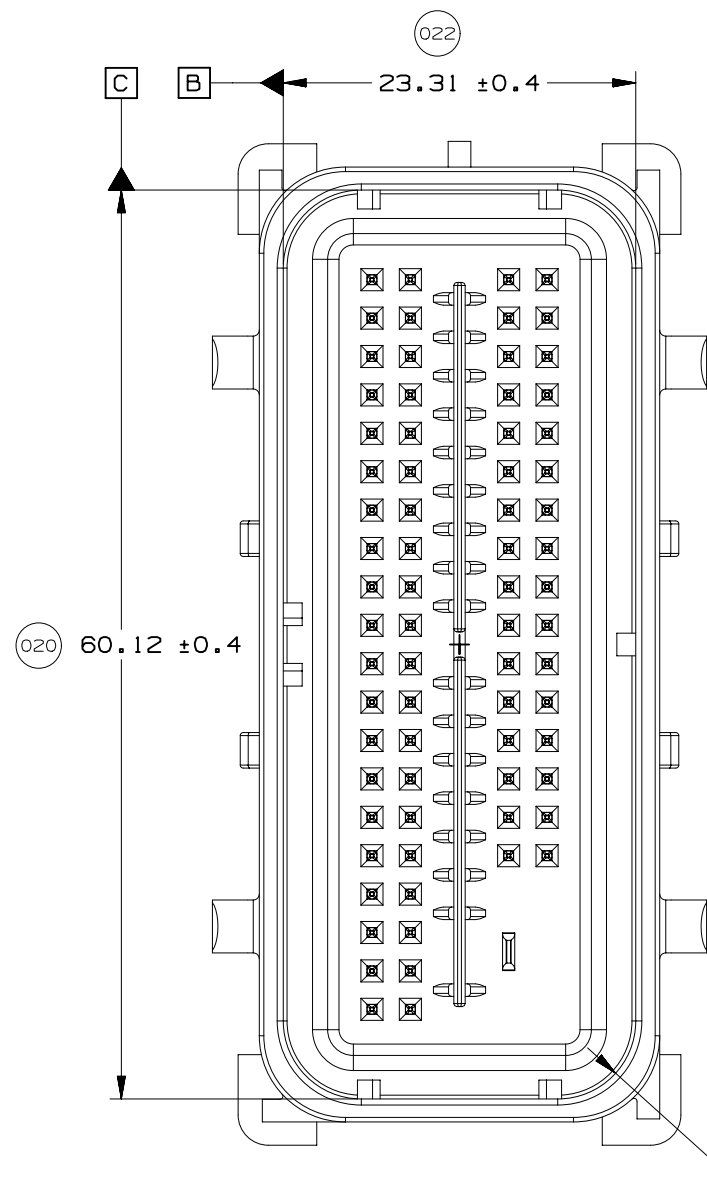
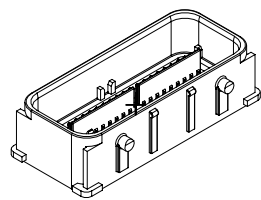


80 CKT COMPONENT CONNECTOR INTERFACE





	PAGE TITLE	DRAWING NUMBER	DWG STATUS			PAGE NUMBER	
	CIRCUIT CONFIGURATIONS		12642695	ST	REV	PDI	14 of 21
				R	002		



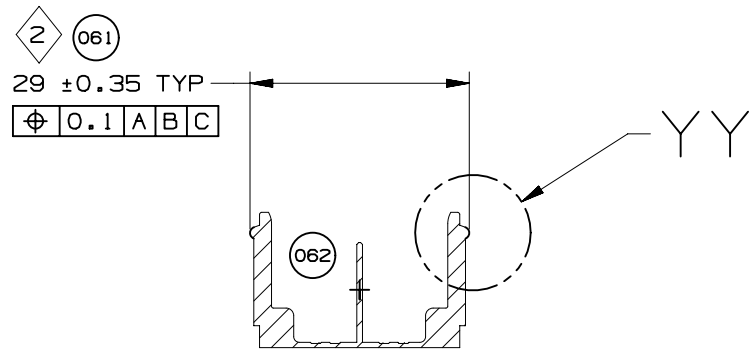
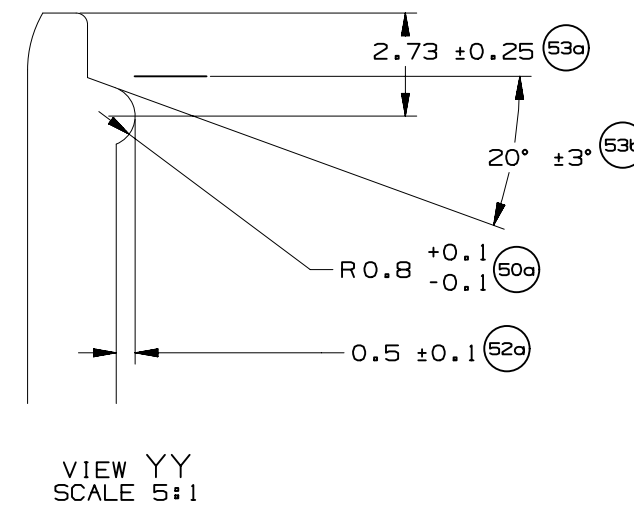
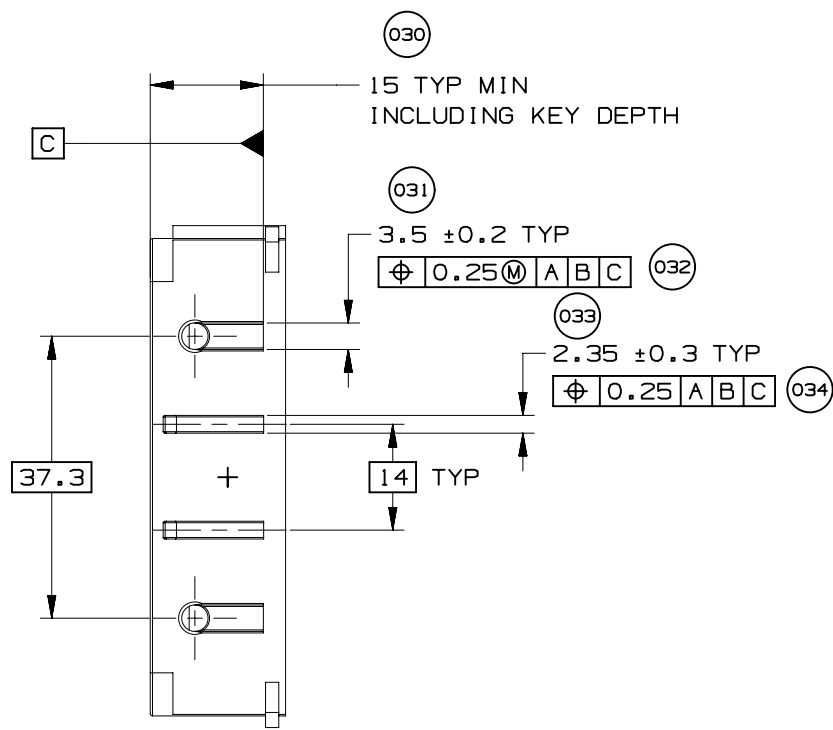
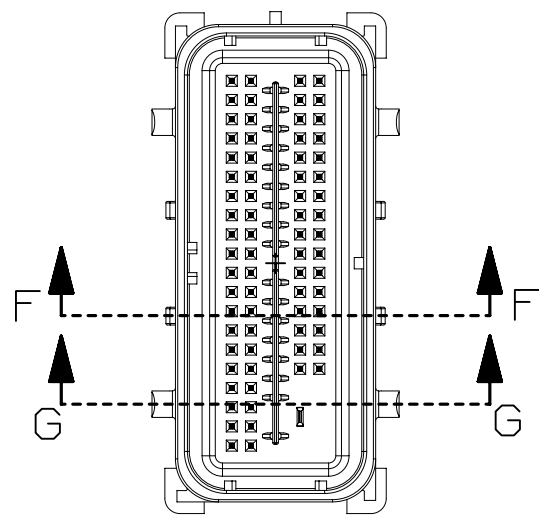
UNLESS SPECIFIED, TOLERANCE OF THE COMPONENT CONNECTOR INTERFACE TO BE $\sqrt[0.13]{A B C}$



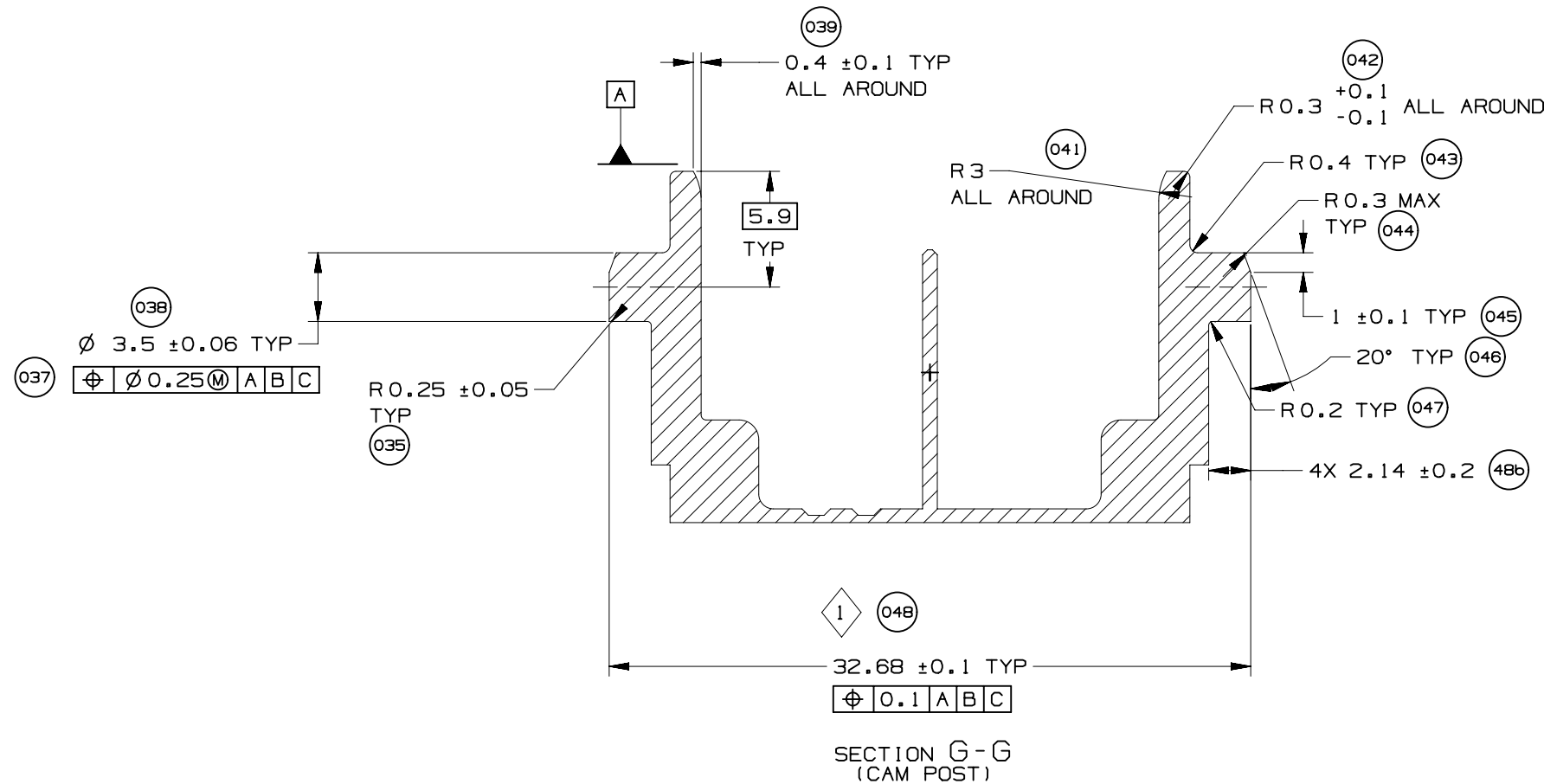
PAGE TITLE
COMPONENT CONNECTOR INTERFACE

DRAWING NUMBER
12642695

DWG STATUS			PAGE NUMBER
ST	REV	PD1	
R	002		15 OF 21

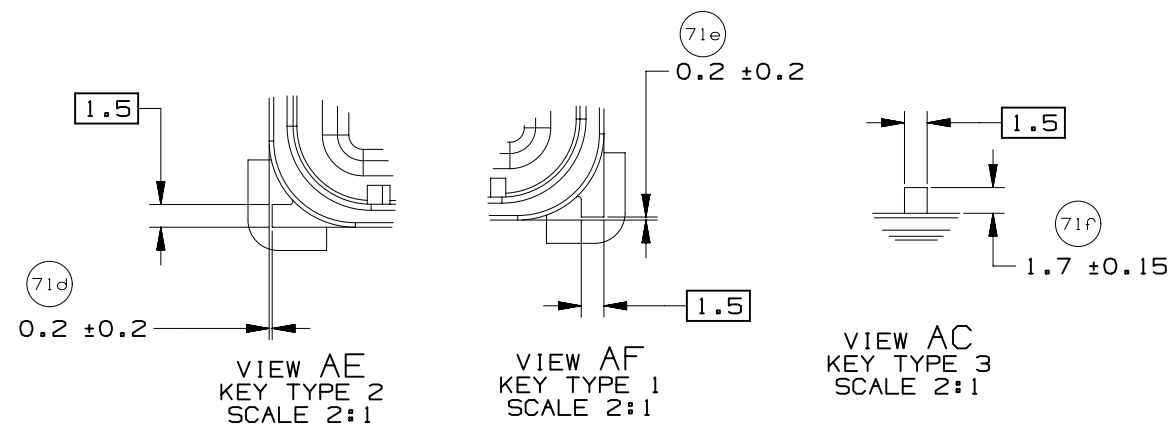
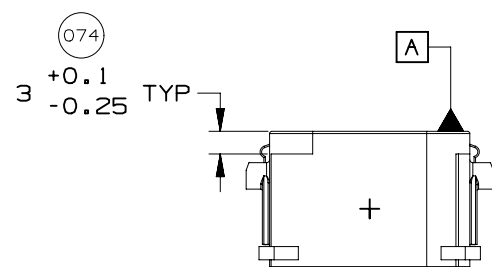
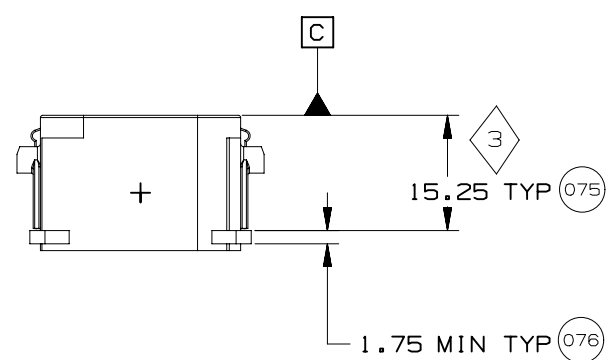
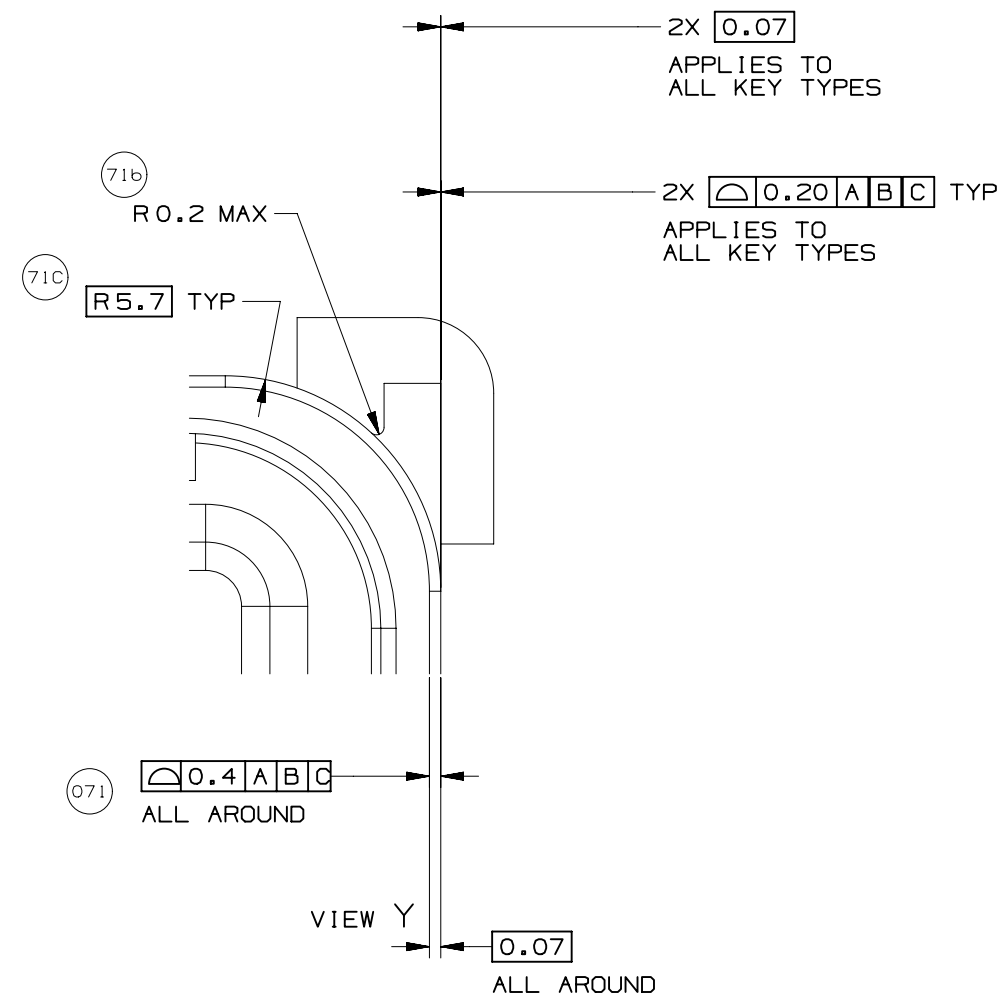
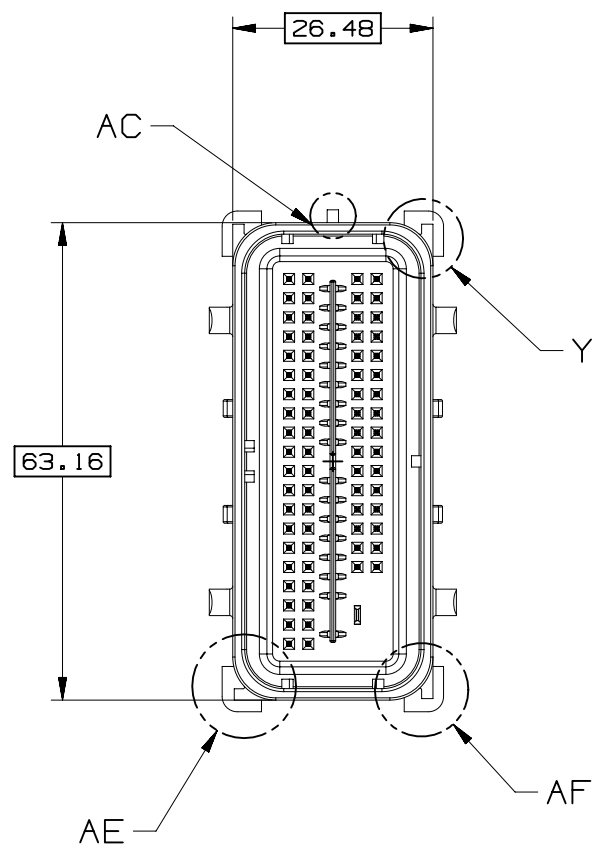
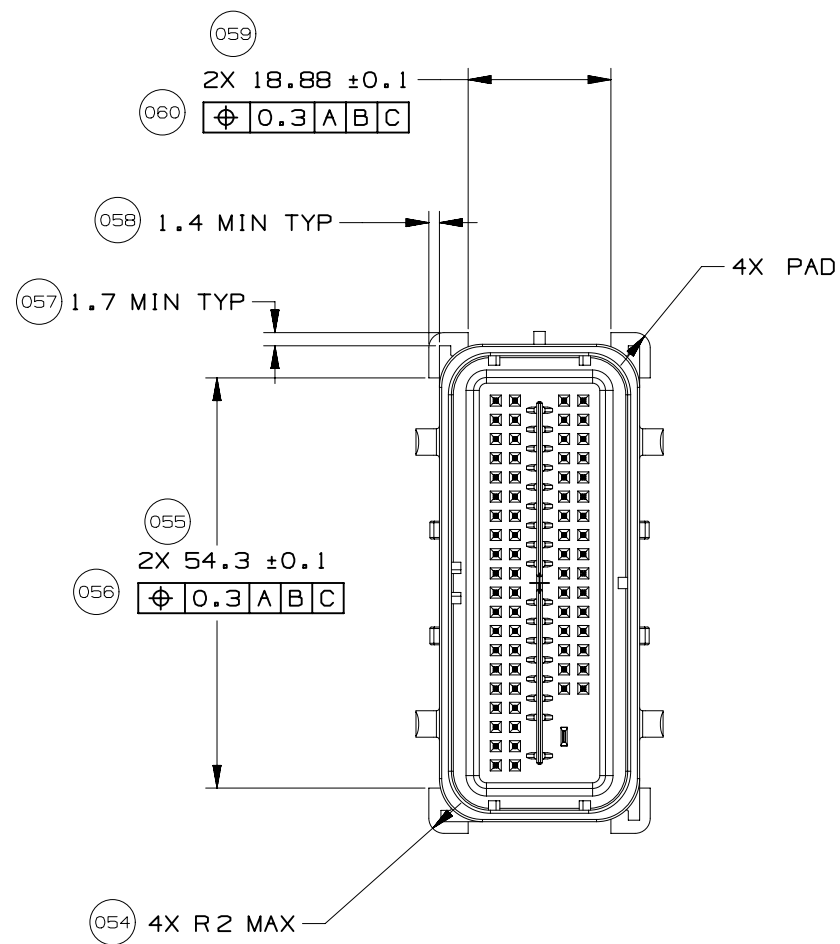


SECTION F-F



SECTION G-G
(CAM POST)

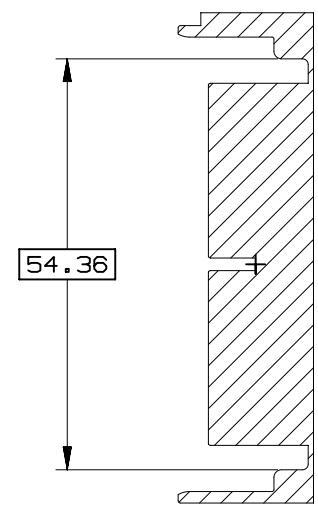
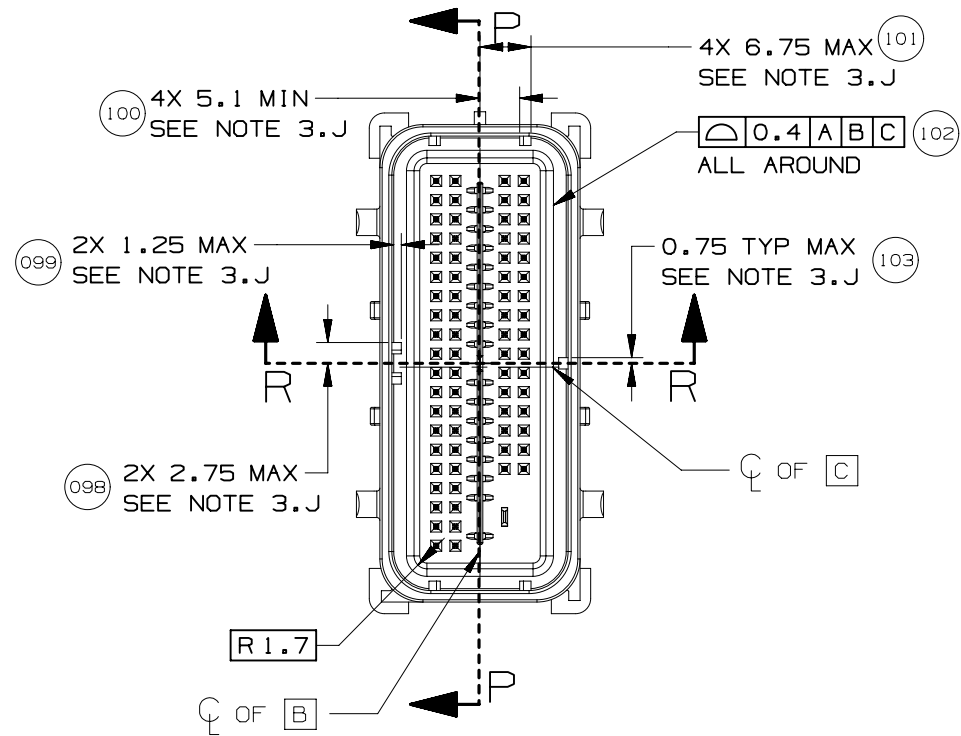




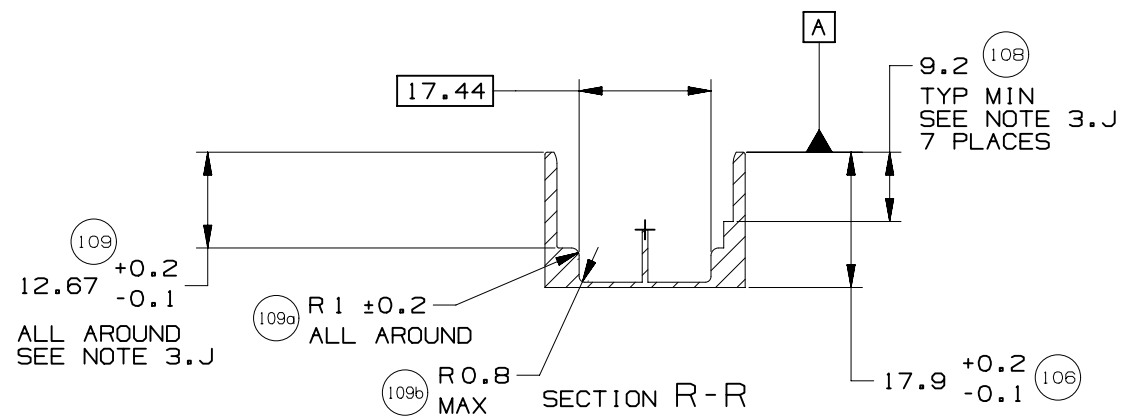
PAGE TITLE
 COMPONENT CONNECTOR INTERFACE

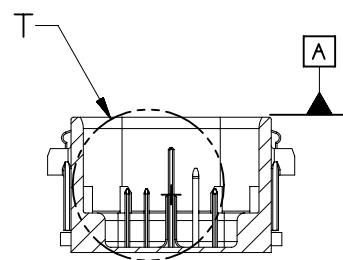
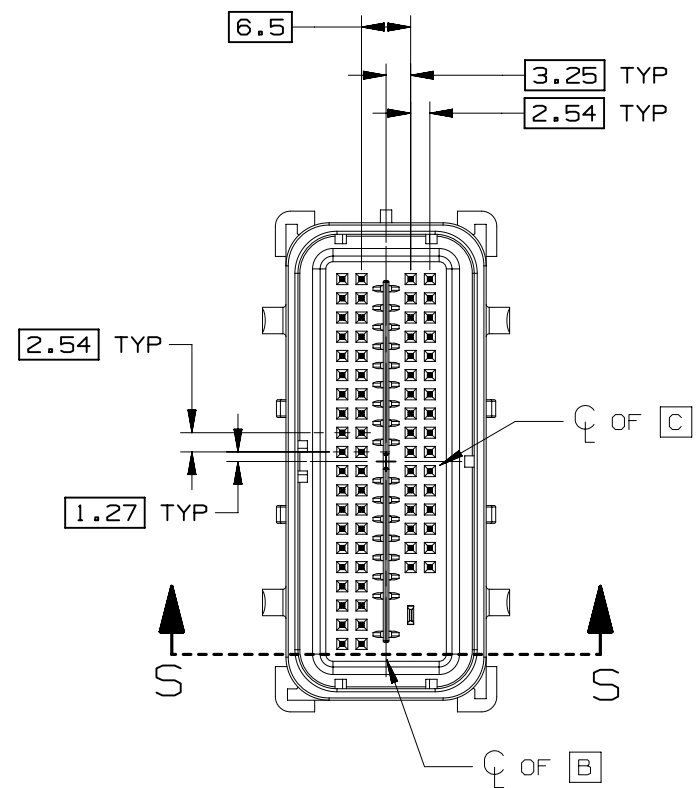
DRAWING NUMBER
 12642695

DWG STATUS			PAGE NUMBER	
ST	REV	PD1		
R	002		17	OF 21

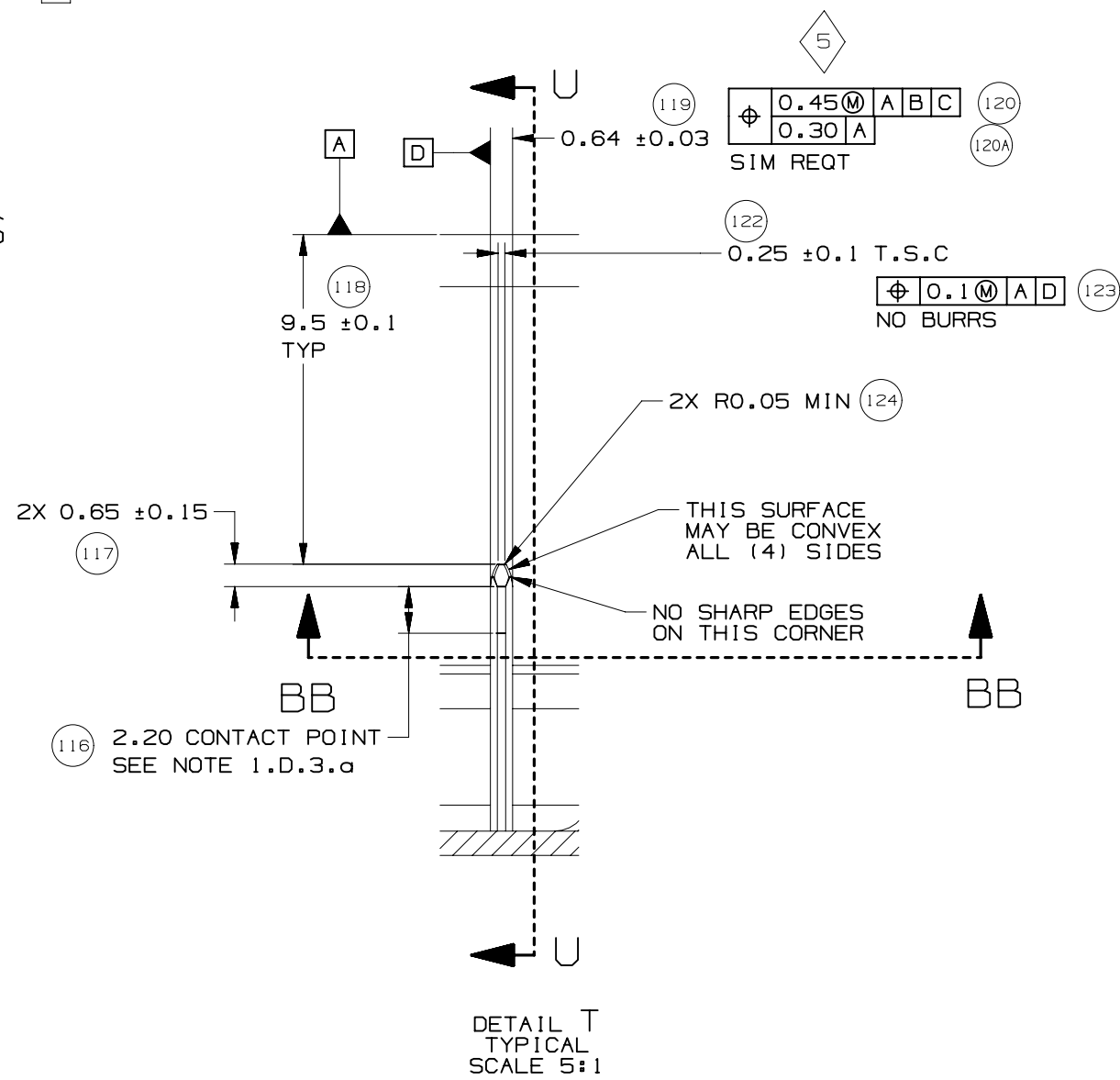


SECTION P-P

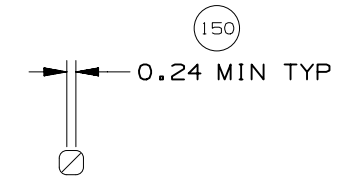




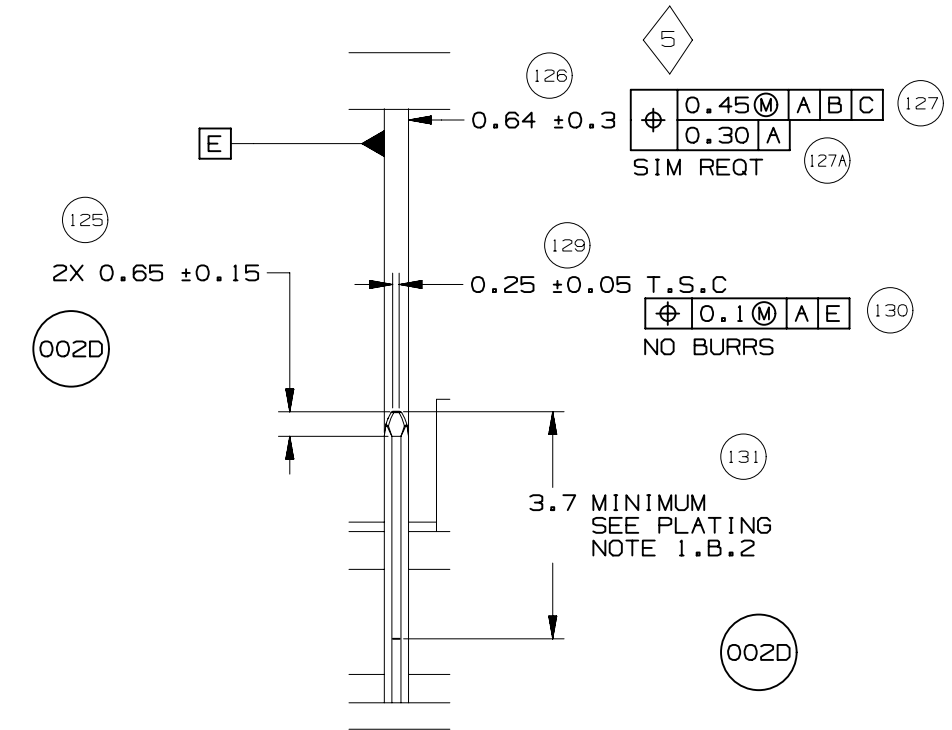
SECTION S-S



DETAIL T
TYPICAL
SCALE 5:1

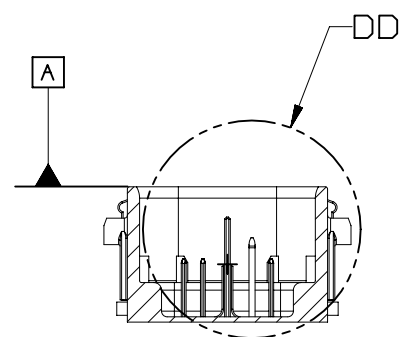
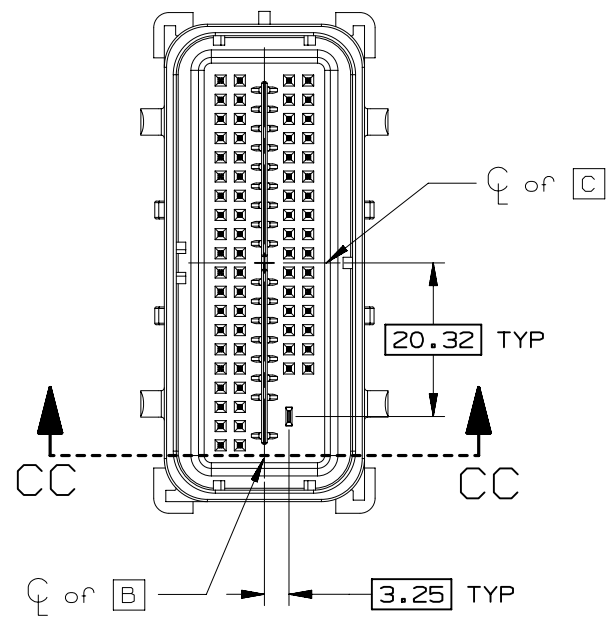


SECTION BB-BB

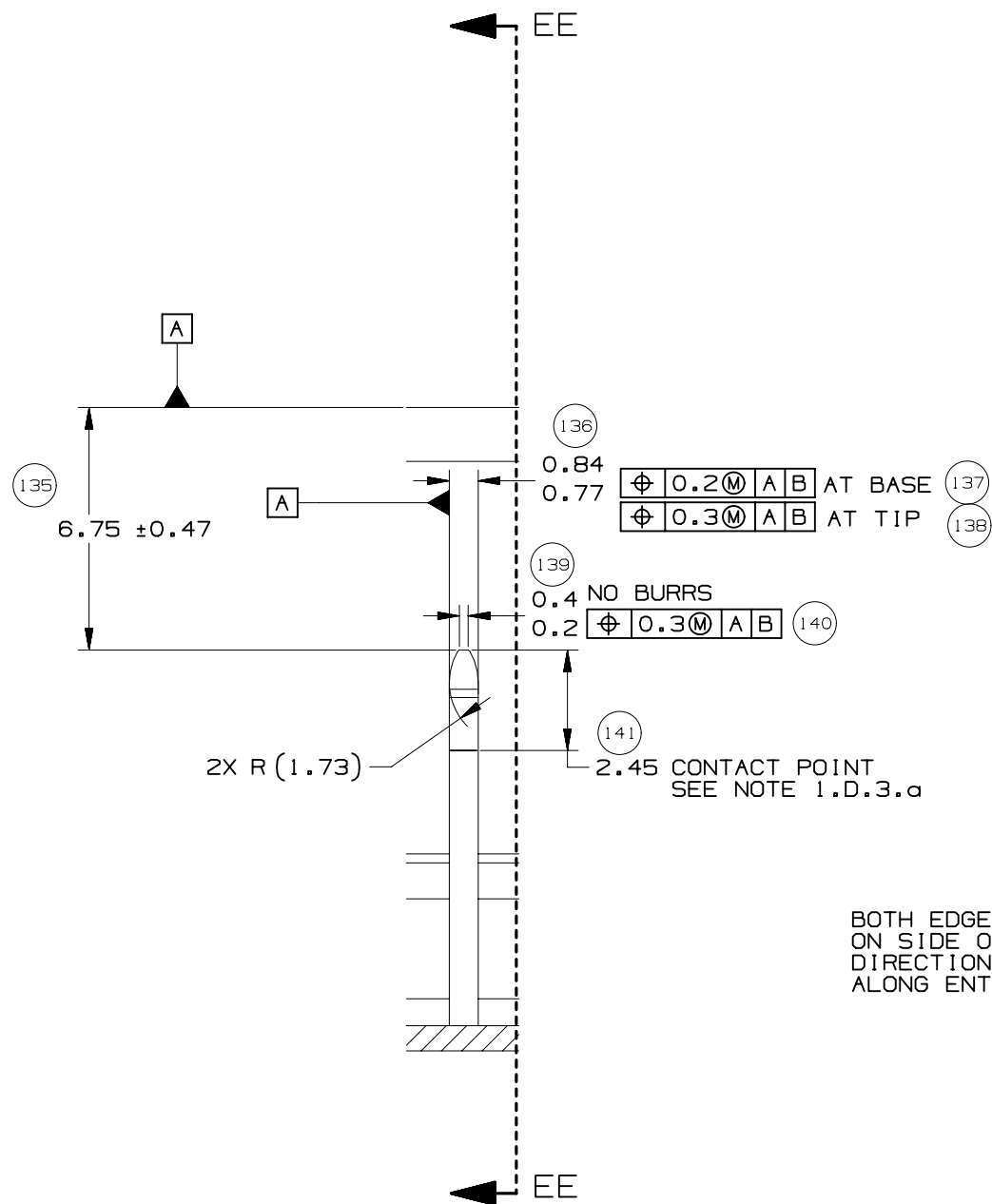


SECTION U-U

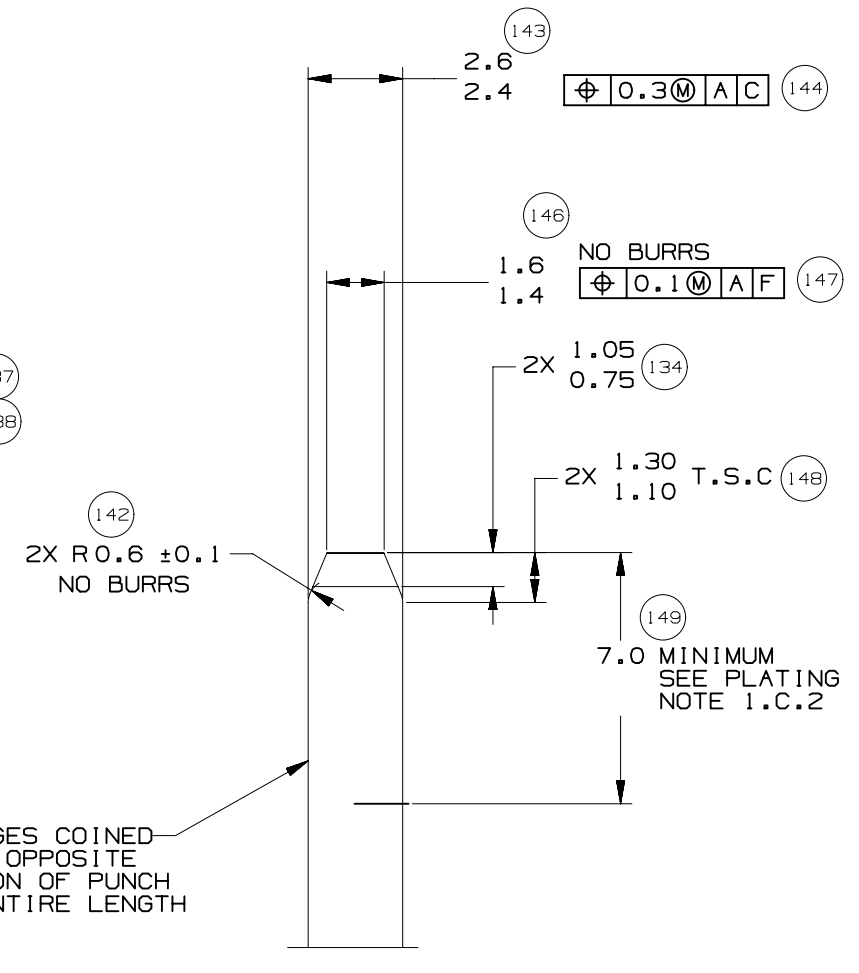




SECTION CC-CC



DETAIL DD
TYPICAL
SCALE 5:1

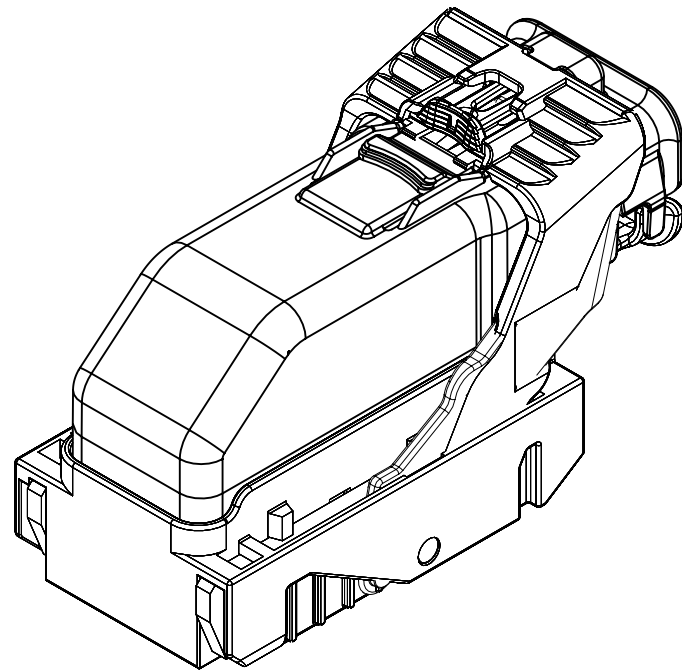


SECTION EE-EE
TYPICAL


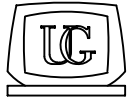
BOTH EDGES COINED
ON SIDE OPPOSITE
DIRECTION OF PUNCH
ALONG ENTIRE LENGTH



INDEX	
PAGE TITLE	PAGE
TITLE BLOCK	1
REVISION BLOCK	2
PART BLOCK	3
KPC BLOCK	4
COMPONENT TABLE	5
NOTES	6
NOTES	7
WIRE DRESS PACKAGING DIMENSIONS	8
LOCATION AND PACKAGING DIMENSIONS REFERENCING INTERFACE DATUMS B & C	9
LOCATION AND PACKAGING DIMENSIONS REFERENCING INTERFACE DATUM A	10
KEY ID REF - WIRE DRESS OPTION 0	11
KEY ID REF - WIRE DRESS OPTION 9	12
CIRCUIT CONFIGURATIONS	13
CIRCUIT CONFIGURATIONS	14
COMPONENT CONNECTOR INTERFACE	15
COMPONENT CONNECTOR INTERFACE	16
COMPONENT CONNECTOR INTERFACE	17
COMPONENT CONNECTOR INTERFACE	18
COMPONENT CONNECTOR INTERFACE	19
COMPONENT CONNECTOR INTERFACE	20
COMPONENT CONNECTOR INTERFACE	21




ISO VIEW

	<p>UNLESS OTHERWISE SPECIFIED: THIS DOCUMENT IS IN ACCORDANCE WITH ASME Y14.5M-1994 AS AMMENDED BY THE GM GLOBAL DIMENSIONING AND TOLERANCING ADDENDUM-1997. ALL GEOMETRIC TOLERANCES AND RELATED DATUMS APPLY RFS. RULE #1 (PERFECT FORM AT MMC) DOES NOT APPLY WHEN A RELATIONSHIP BETWEEN FEATURES IS ESTABLISHED BY ORIENTATION OR LOCATION TOLERANCES. SEPARATE POSITION CALLOUTS MAY BE GAGED SEPARATELY REGARDLESS OF DATUM REFERENCES.</p>			DATE
	 CHANGE RESTRICTED NO MANUAL CHANGES	REFERENCE 12H (MOLEX AUTOMOTIVE)	DRAFTER J SZYMKOWSKI APVD1 D PFAFFINGER APVD2 B BURT APVD3 APVD4 APVD5	22DE05 22DE05 22DE05
DO NOT SCALE	DRAWING NAME			
METRIC DIMENSIONS SHOWN IN MILLIMETERS UNLESS OTHERWISE SPECIFIED	HARNESS CONN ASM 66/73/80 CKTS			
	DRAWING NUMBER	DWG STATUS		PAGE NUMBER
		12642695	ST	
		R	002	1 OF 21

PAGE	DWG STATUS					REVISION HISTORY	AUTH	DR	CK	ENG
	DATE	ST	REV	CHG	PDI					
	19DE11	R	001			RELEASED TO PRODUCTION AT DLS A	CRMRJB	SC	MRO	GF
3	08MY15	R	002	A		REORDERED PART BLOCK AND ADDED MASS CORRECTED P/N TYPO FROM 12562676 TO 12582676				
3, 5		R	002	B		ADDED 12659312, 12659313, 12653574 AND 12653575				
6		R	002	C		REMOVED NOTE 1 . D . 3 . C				
20		R	002	D		DIM 125 WAS 3.25 DIM 131 WAS 5.5	CRMRJD	DFK	MRO	GF

PAGE	DWG STATUS					REVISION HISTORY	AUTH	DR	CK	ENG
	DATE	ST	REV	CHG	PDI					

	PAGE TITLE	DRAWING NUMBER	DWG STATUS			PAGE NUMBER	
	REVISION BLOCK		12642695	ST	REV	PDI	2 OF 21
				R	002		

KEY PRODUCT CHARACTERISTICS
(IN ACCORDANCE WITH QN 1805 OR ON 1050)



SAFETY/COMPLIANCE

TOTAL ON
DRAWING

5



FIT/FUNCTION

LAST NO.
USED

5

NO	TYPE	DESCRIPTION	RATIONALE	PAGE/ZONE
1	F/F	32.68	IMPROVE CONNECTOR SYSTEM MATING	15
2	F/F	29.00	INSURE PROPER RELEASE OF LEVER	15
3	F/F	15.25	INSURE FINAL MATE POSITION	16
5	F/F	POSITIONAL TOLERANCE (2 PLACES)	INSURE CONNECTOR SYSTEM MATEABILITY	19



PAGE TITLE
KPC BLOCK

DRAWING NUMBER

12642695

DWG STATUS

ST	REV	PD1
----	-----	-----

R	002	
---	-----	--

PAGE NUMBER

4 OF 21

LINE	MFG.	MFG. P/N	GM P/N	EFFECTIVE DATE	APPLICABLE COMPONENTS	KEY OPTION	WIRE DRESS OPTION	KEY CONFIG.	COLOR	STATUS
					DESCRIPTION					
-										
1	MOLEX	34565-0003	12582676	02JN03	MX123 DRESS COVER 66/73/80 CKT	N/A	N/A	N/A	BLACK	AVAILABLE
2	MOLEX	34822-0013	12642692	01SP13	MX123 HRNS CONN ASSY 66 CKT	A	0	1458	BLACK	AVAILABLE
3	MOLEX	34822-0033	12659312	01SP13	MX123 HRNS CONN ASSY 66 CKT	C	0	2467	BLUE	AVAILABLE
4	MOLEX	34822-0023	12642693	01SP13	MX123 HRNS CONN ASSY 66 CKT	A	9	1458	BLACK	AVAILABLE
5	MOLEX	34822-0043	12659313	01SP13	MX123 HRNS CONN ASSY 66 CKT	C	9	2467	BLUE	AVAILABLE
6	MOLEX	34566-0103	12582677	11JN04	MX123 HRNS CONN ASSY 73 CKT	A	0	1458	BLACK	AVAILABLE
7	MOLEX	34566-0203	12582678	11JN04	MX123 HRNS CONN ASSY 73 CKT	B	0	1468	ST GRAY	AVAILABLE
8	MOLEX	34566-0303	12615654	09AP08	MX123 HRNS CONN ASSY 73 CKT	C	0	2467	BLUE	AVAILABLE
9	MOLEX	34566-0403	12647268	T.B.D	MX123 HRNS CONN ASSY 73 CKT	D	0	2367	BROWN	NOT ACTIVE
10	MOLEX	34566-0503	AMJ28633	T.B.D	MX123 HRNS CONN ASSY 73 CKT	E	0	2468	GREEN	NOT ACTIVE
11	MOLEX	34566-0603	12653574	05DC14	MX123 HRNS CONN ASSY 73 CKT	F	0	1357	NATURAL	AVAILABLE
12	MOLEX	34566-0703	12588057	09AP08	MX123 HRNS CONN ASSY 80 CKT	G	0	1358	BLUE	AVAILABLE
13	MOLEX	34566-0803	12588058	11JN04	MX123 HRNS CONN ASSY 80 CKT	H	0	2458	ST GRAY	AVAILABLE
14	MOLEX	34566-0903	12615656	T.B.D	MX123 HRNS CONN ASSY 80 CKT	J	0	2457	BLACK	NOT ACTIVE
15	MOLEX	34566-1003	AMJ28595	T.B.D	MX123 HRNS CONN ASSY 80 CKT	K	0	2357	BROWN	NOT ACTIVE
16	MOLEX	34566-1103	AMJ29057	T.B.D	MX123 HRNS CONN ASSY 80 CKT	L	0	2368	GREEN	NOT ACTIVE
17	MOLEX	34566-1203	AMJ28669	T.B.D	MX123 HRNS CONN ASSY 80 CKT	M	0	2358	NATURAL	NOT ACTIVE
18	MOLEX	34566-1303	12603596	11JN04	MX123 HRNS CONN ASSY 73 CKT	A	9	1458	BLACK	AVAILABLE
19	MOLEX	34566-1403	12603597	11JN04	MX123 HRNS CONN ASSY 73 CKT	B	9	1468	ST GRAY	AVAILABLE
20	MOLEX	34566-1503	12615655	09AP08	MX123 HRNS CONN ASSY 73 CKT	C	9	2467	BLUE	AVAILABLE
21	MOLEX	34566-1603	12647269	T.B.D	MX123 HRNS CONN ASSY 73 CKT	D	9	2367	BROWN	NOT ACTIVE
22	MOLEX	34566-1703	AMJ28698	T.B.D	MX123 HRNS CONN ASSY 73 CKT	E	9	2468	GREEN	NOT ACTIVE
23	MOLEX	34566-1803	12653575	05DC14	MX123 HRNS CONN ASSY 73 CKT	F	9	1357	NATURAL	AVAILABLE
24	MOLEX	34566-1903	12603598	09AP08	MX123 HRNS CONN ASSY 80 CKT	G	9	1358	BLUE	AVAILABLE
25	MOLEX	34566-2003	12603599	11JN04	MX123 HRNS CONN ASSY 80 CKT	H	9	2458	ST GRAY	AVAILABLE
26	MOLEX	34566-2103	12615657	T.B.D	MX123 HRNS CONN ASSY 80 CKT	J	9	2457	BLACK	NOT ACTIVE
27	MOLEX	34566-2203	AMJ29117	T.B.D	MX123 HRNS CONN ASSY 80 CKT	K	9	2357	BROWN	NOT ACTIVE
28	MOLEX	34566-2303	AMJ29136	T.B.D	MX123 HRNS CONN ASSY 80 CKT	L	9	2368	GREEN	NOT ACTIVE
29	MOLEX	34566-2403	AMJ29214	T.B.D	MX123 HRNS CONN ASSY 80 CKT	M	9	2358	NATURAL	NOT ACTIVE
30	MOLEX	34736-2002	12642697	01AU10	MX64 RCPT TERM Ag 18/20 GAGE B (RIGHT PAYOFF)	N/A	N/A	N/A	N/A	AVAILABLE
31	MOLEX	34736-2001	12642696	01AU10	MX64 RCPT TERM Ag 22 GAGE B (RIGHT PAYOFF)	N/A	N/A	N/A	N/A	AVAILABLE
32	MOLEX	34586-0001	T.B.D.	11JN04	MX123 0.64MM GROMMET PLUG	N/A	N/A	N/A	NATURAL	AVAILABLE
33	YAZAKI	7116-4150-02	12588066	02JN03	2.8mm YESC SEALED FEMALE TERMINAL TIN 20/22 GAGE (CABLE RANGE 0.30mm-0.60mm)	N/A	N/A	N/A	N/A	NOT ACTIVE
34	YAZAKI	7116-4151-02	12588067	02JN03	2.8mm YESC SEALED FEMALE TERMINAL TIN 16/18 GAGE (CABLE RANGE 0.75mm-1.40mm)	N/A	N/A	N/A	N/A	NOT ACTIVE
35	YAZAKI	7116-4152-02	12582685	02JN03	2.8mm YESC SEALED FEMALE TERMINAL TIN 14 GAGE (CABLE RANGE 1.50mm-2.50mm)	N/A	N/A	N/A	N/A	AVAILABLE
36	YAZAKI	7158-3111-60	12588068	02JN03	2.8mm CABLE SEAL (wire O.D. range 1.20mm-1.90mm)	N/A	N/A	N/A	GREEN	NOT ACTIVE
37	YAZAKI	7158-3112-70	12588069	02JN03	2.8mm CABLE SEAL (wire O.D. range 1.80mm-2.30mm)	N/A	N/A	N/A	YELLOW	NOT ACTIVE
38	YAZAKI	7158-3113-40	12582686	02JN03	2.8mm CABLE SEAL (wire O.D. range 2.18mm-3.00mm)	N/A	N/A	N/A	WHITE	AVAILABLE
39	YAZAKI	7158-3114-90	T.B.D	02JN03	2.8mm YESC CAVITY PLUG	N/A	N/A	N/A	BLUE	AVAILABLE
40	MOLEX	63811-4200	XX019825	02JN03	MX64 TERM HAND CRIMP TOOL	N/A	N/A	N/A	N/A	AVAILABLE
41	MOLEX	63813-1400	XX019826	02JN03	MX64 TERM SERVICE TOOL	N/A	N/A	N/A	N/A	AVAILABLE
42	MOLEX	63865-8000	XX019827	02JN03	MX64 CRIMP APPLICATOR with TOOL KIT 18/20 GAGE PAYOFF DIRECTION D (left payoff) (contact Molex for payoff detail)	N/A	N/A	N/A	N/A	AVAILABLE
43	MOLEX	63865-8070	XX019828	02JN03	MX64 APPLICATOR TOOL KIT 18/20 GAGE	N/A	N/A	N/A	N/A	AVAILABLE
44	MOLEX	63865-8100	XX019829	02JN03	MX64 CRIMP APPLICATOR with TOOL KIT 22 GAGE PAYOFF DIRECTION D (left payoff) (contact Molex for payoff detail)	N/A	N/A	N/A	N/A	AVAILABLE
45	MOLEX	63865-8170	XX019830	02JN03	MX64 APPLICATOR TOOL KIT 22 GAGE	N/A	N/A	N/A	N/A	AVAILABLE
46	SPX	J35616-64	T.B.D.	02JN03	0.64mm PROBE TOOL (for rcpt)	N/A	N/A	N/A	N/A	AVAILABLE
47	SPX	J35616-64A	T.B.D.	02JN03	0.64mm PROBE TOOL WITH EXT (for rcpt)	N/A	N/A	N/A	N/A	AVAILABLE
48	SPX	J35616-65	T.B.D.	02JN03	0.64mm PROBE TOOL WITH EXT (for pin)	N/A	N/A	N/A	N/A	AVAILABLE
49	SPX	J35616-4A	T.B.D.	02JN03	2.8mm PROBE TOOL (for rcpt)	N/A	N/A	N/A	N/A	AVAILABLE
50	YAZAKI	X39899-J374	12094430	02JN03	2.8mm TERM SERVICE TOOL	N/A	N/A	N/A	N/A	AVAILABLE

002B

* - MX123 DRESS COVER 73/80/66 CKT MATES TO ANY MX123 HARN CONN ASSY SHOWN ON TABLE ABOVE



PAGE TITLE
COMPONENT TABLE

DRAWING NUMBER
12642695

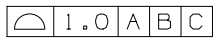
DWG STATUS			PAGE NUMBER
ST	REV	PD1	
R	002		5 OF 21

NOTES: UNLESS OTHERWISE SPECIFIED

1. MATERIAL FOR INTERFACE:

- A. RESIN:
 - 1. 30% G.F. PBT; 20% MAX. (BY WEIGHT) REGRIND.
 - 2. MATING CONNECTOR INTERFACE PART COLOR MUST BE SAME AS MATCHING KEYED HARNESS CONNECTOR ASSEMBLY.
 - 3. MUST BE VALIDATED FOR INDIVIDUAL DEVICE APPLICATION REQUIREMENTS.
- B. 0.64MM PINS:
 - 1. BASE MATERIAL: COPPER ALLOY; CONDUCTIVITY >= 28% IACS AT 20°C; TENSILE STRENGTH >= 635 N/mm²; SURFACE ROUGHNESS R_a 6 MAX.
 - 2. PLATING FINISH: SILVER (Ag). PLATING TO BE 1.9-3.3 μm ELECTRODEPOSITED SEMI-BRIGHT SILVER OVER 1.25-2.25 μm DUCTILE SULPHAMATE NICKEL PER NOTE 1(D).
 - 3. ANTI-TARNISH: SYNTHETIC HYDROCARBON CONTACT SURFACE FINISH OR EQUIVALENT APPLIED WITHOUT VOID TO CONTACT AREA (MIN 3.7mm FROM PIN TIP).
- C. 2.8MM BLADE:
 - 1. BASE MATERIAL: COPPER ALLOY; CONDUCTIVITY >= 28% IACS AT 20°C; TENSILE STRENGTH >= 350 N/mm²; SURFACE ROUGHNESS R_a 6 MAX.
 - 2. PLATING FINISH: TIN. PLATING TO BE 2.5-5.0 μm ELECTRODEPOSITED TIN, MATTE FINISH OVER 1.25-2.5 μm DUCTILE SULPHAMATE NICKEL PER NOTE 1(D).
- D. PLATING REQUIREMENTS:
 - 1. SILVER PLATING
 - a. 99.5% PURE SEMI-BRIGHT WITH NO ORGANIC BRIGHTNERS OR CHROMATES.
 - 2. NICKEL PLATING
 - a. ELECTRODEPOSITED DUCTILE SULFAMATE NICKEL WITH A NON-BRIGHTENED FINISH. NO ORGANIC OR BRIGHTENING AGENTS SHALL BE ALLOWED.
 - b. SHALL ONLY BE USED AS AN UNDERLYING PLATING AND MAY NOT BE USED AS AN ELECTRICAL CONTACT SURFACE PLATING.
 - c. SHALL BE NODULE FREE WHEN VIEWED AT 10X MAGNIFICATION IN MEASURED IN CONTACT SURFACE AREA PLUS 0.5MM PERIMETER AROUND THE CONTACT SURFACE AREA.
 - d. ALL PLATINGS SHALL HAVE A 1.0% MAXIMUM BY WEIGHT IMPURITIES. IMPURITIES ARE DEFINED AS ALL ELEMENTS NOT THE PRIMARY PLATING OR HARDENING AGENT IF APPLICABLE, AS DETERMINED BY WET CHEMICAL ANALYSIS OR AUGER METHOD. NO SINGLE IMPURITY SHALL EXCEED 0.1% MAXIMUM BY WEIGHT.
 - 3. TESTING
 - a. THICKNESS TO BE MEASURED IN CONTACT SURFACE AREA PLUS 0.5MM PERIMETER AROUND THE CONTACT SURFACE AREA AS DESIGNATED IN THE DRAWING. THICKNESS SHALL BE DETERMINED BY METHOD OF X-RAY (XRF).
 - b. PLATING ADHESION SHALL BE TESTED BY A BEND TEST FOR ALL METALS. THE TEST SAMPLE SHALL BE BENT 90 DEGREES TO DETERMINE DEPOSIT ADHESION. TESTING SHALL BE COMPLETED IN ACCORDANCE WITH ASTM SPEC B571.


2. DESIGN - GENERAL:

- A. THIS IS A 100% CAD GENERATED PART. THE CAD MATHEMATICAL DATA IS THE MASTER FOR THIS PART. FOR DIMENSIONAL OR ANY INFORMATION NOT SHOWN ON THIS DRAWING, ANALYZE THE CAD MODEL.
- B. TOLERANCES:
 - 1. LINEAR
 - 0.X ± 0.30
 - 0.XX ± 0.10
 - 0.XXX ± 0.10
 - 2. ANGULAR X° ± 3°
 - 3. 
- C. MINIMUM WALL THICKNESS REQUIRED: 1.3mm.
- D. CORNERS SHOWN AS SHARP TO BE R 0.2 MAX.
- E. LETTERING SHALL BE 0.15 MAX RAISED IN 0.20 MAX RECESS PAD. THIS INCLUDES MATERIAL CODE, RECYCLING CODE, CAVITY ID AND DATE CODE.
- F-1. PARTS MUST BE FREE OF DISCOLORATION, SALT RESIDUE AND OTHER IMPERFECTIONS THAT AFFECT FIT OR FUNCTION.
- F-2. SCRATCHES OR DENTS NOT TO EXCEED 0.013mm IN DEPTH.
- G. FOLLOWING PRODUCTION CODES TO BE PERMANENTLY MARKED & HUMAN READABLE TO A LETTER HEIGHT OF 1.5 ± 0.5MM X 0.3 MAX DEEP
 - 1. MATERIAL #: XXXXX-XXXX
 - 2. DATE CODE: JJJY (JULIAN DAY, LAST DIGIT OF YEAR)
 - 3. INSPECTION MACHINE CODE + SERIAL #: X_XXXXX

3. DESIGN - MANUFACTURING:

- A. DRAFT TO BE WITHIN TOLERANCE.
- B. ALLOWABLE FLASH MAX 0.2 HIGH X MAX 0.13 THICK.
- C. ALLOWABLE PARTING LINE MISMATCH 0.2 MAX.
- D. EJECTOR PINS MARK TO BE FLUSH TO 0.25 MAX DEPRESSED.
- E. ALLOWABLE GATE VESTIGE FLUSH TO 0.25 MAX PROTRUSION.
- F. NO EXTERNAL MOLD RELEASE AGENT ALLOWED DURING MANUFACTURING.
- G. STEEL THAT FORMS THE INDICATED SURFACE MUST BE POLISHED WITH A DIAMOND FINISH (SPI A-2) OVER THE FULL PERIPHERY OF THE TOOL. SURFACE MUST HAVE NO MISMATCH.
- H. ANY PROCESS LUBRICANT REMAINING ON THE TERMINAL MUST NOT VARNISH OR DEGRADE IT'S ELECTRICAL PERFORMANCE UP TO A MAXIMUM CLASS AMBIENT TEMPERATURE PER SAE USCAR-2 FOR 1008 HOURS. PROCESS LUBRICANTS SHOULD BE APPROVED BY THE RESPONSIBLE ENGINEER.
- J. OPTIONAL FEATURES PROVIDED FOR AUTOMATION.
- K. PART MUST BE FREE FROM BURRS AND SHARP EDGES, WHICH MIGHT BE DETRIMENTAL TO SATISFACTORY ASSEMBLY, SAFE HANDLING OR FUNCTION OF PART.
- L. PARTS AS DELIVERED TO ASSEMBLY SHALL BE CLEAN AND FREE OF DEBRIS, RESIDUAL ABRASIVE MATERIAL AND CORROSION PRODUCTS ADVERESLY AFFECTING FUNCTION OR APPEARENCE.
- M. RESTRICTED AND REPORTABLE SUBSTANCES FOR PARTS PER GMW3059.

002C

	PAGE TITLE	DRAWING NUMBER 12642695	DWG STATUS			PAGE NUMBER 6 OF 21
	NOTES		ST	REV	PDI	
			R	002		

NOTES: UNLESS OTHERWISE SPECIFIED

4. SYSTEM REQUIREMENTS:

A. HARNESS CONNECTOR IS COMPATIBLE WITH THE FOLLOWING SAE WIRE SIZE NO'S:

- 14, MEETING SAE J1128
- 18, MEETING SAE J1128, MAX O.D. OF 2.06 MM
- 20, MEETING SAE J1128
- 22, MEETING SAE J1128, MIN O.D. OF 1.47 MM

B. CABLE TIE SPECIFICATIONS:

- 1. CABLE TIE:
 - TENSILE RATING: 220N / (50lbs) MIN
 - TIE LENGTH: 186mm MIN
 - TIE WIDTH: 4.75mm MAX
 - MATERIAL: NYLON
- 2. INSTALLATION:
 - CABLE TIE TENSION: 190N MIN
- 3. DRESSED WIRE BUNDLE PACKAGING: SEE FIG. 1

C. WHEN MATED WITH COMPONENT CONNECTOR INTERFACE AND/OR DRESS COVER, HARNESS CONNECTOR SYSTEM CONFORMS TO THE FOLLOWING:

- 1. SAE/USCAR-2, REV: 3 APRIL, 2001; CLASS 3
- 2. FIELD CORRELATED LIFE TEST, SAE/USCAR-20, NOV. 2001
- 3. GMW #3191 AUGUST 22, 2000 (DRAFT); TEMPERATURE CLASS 3, SEALING CLASS 1, VIBRATION CLASS 2
- 4. RESTRICTED AND REPORTABLE CHEMICALS PER GMW #3059, REV: D AUGUST 2002
- 5. TPA USER FORCES (FULLY POPULATED WITH TERMINALS)
 - a. REMOVAL FROM LOCK TO PRE-SET: <=120N

D. WIRE SPECIFICATIONS:

- 1. WIRE SURFACE MUST BE FREE OF SCRATCHES, GROOVES OR DENTS WHERE FUNCTIONAL

5. TERMINAL CURRENT RATINGS:

ALL TESTING DONE IN ACCORDANCE WITH USCAR-2 REV5 SECTION 5.3

A. MX64 RCPT TERM

- 1. MX64 RCPT TERM Ag 18/20 GAGE CRIMPED TO SAE WIRE SIZE NO.18 AND MATED TO MX123 0.64MM PIN: 11.3 AMPS
- 2. MX64 RCPT TERM Ag 22 GAGE CRIMPED TO SAE WIRE SIZE NO.22 AND MATED TO MX123 0.64MM PIN:8.5 AMPS

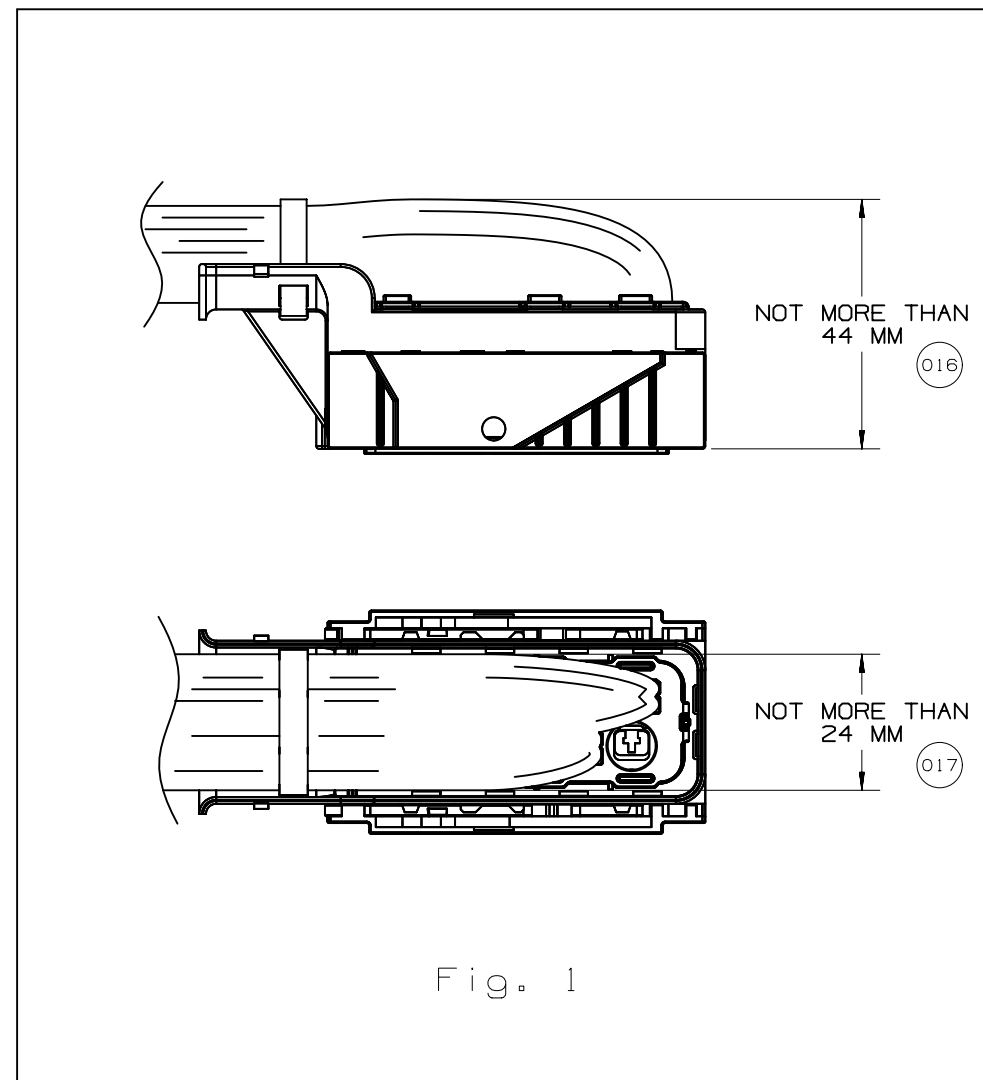
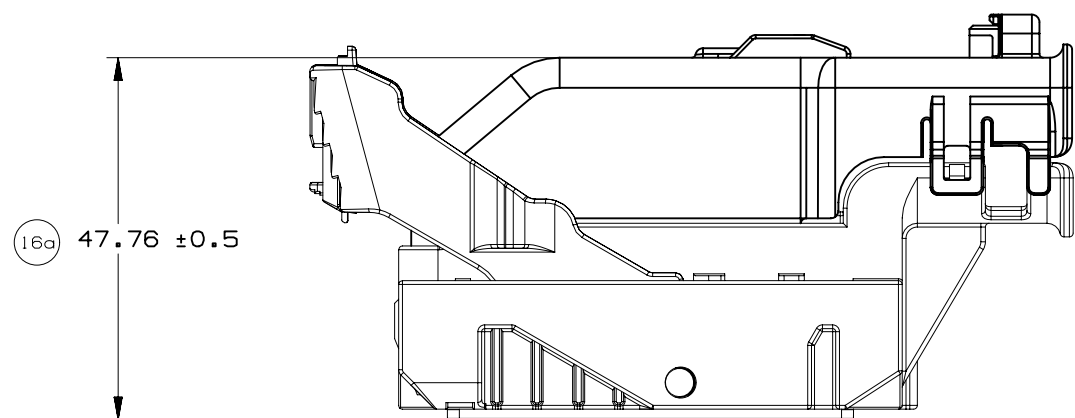
WIRE	CURRENT RATING			
	23°C	85°C	105°C	125°C
18AWG	11.3A	11.3A	9.5A	6.6A
20AWG	10.0A	10.0A	8.3A	5.7A
22AWG	8.6A	8.6A	7.1A	5.0A

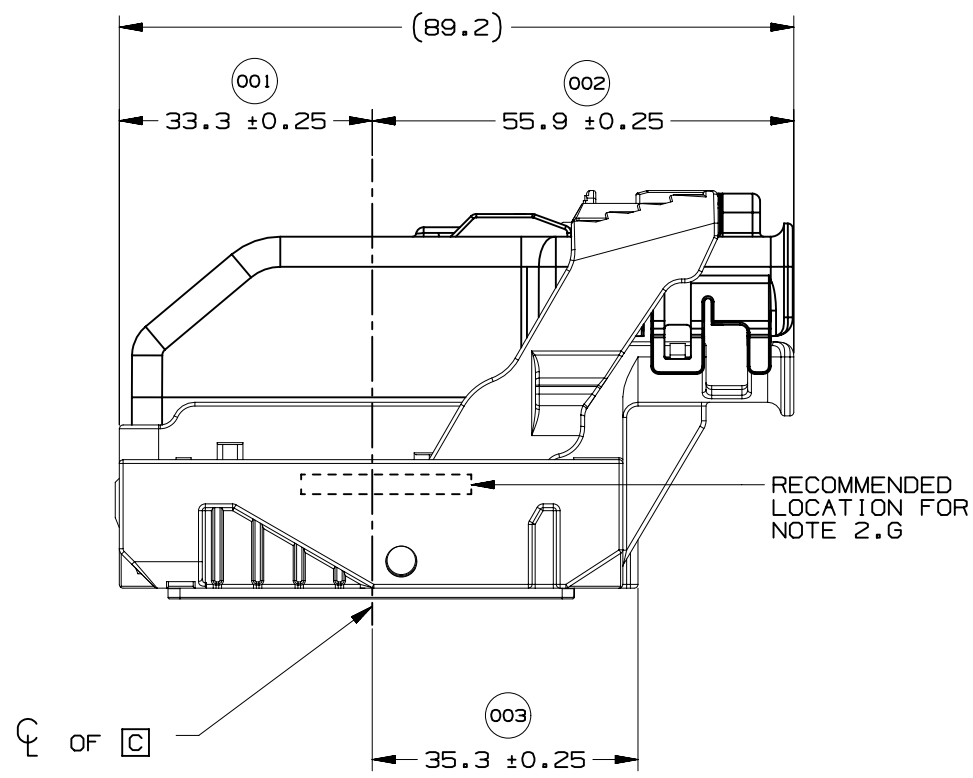
B. 2.8MM RCPT TERM

- 1. 2.8MM RCPT TERM TIN 14 GAGE CRIMPED TO SAE WIRE SIZE NO.14 AND MATED TO MX123 2.8MM BLADE: 25.6 AMPS

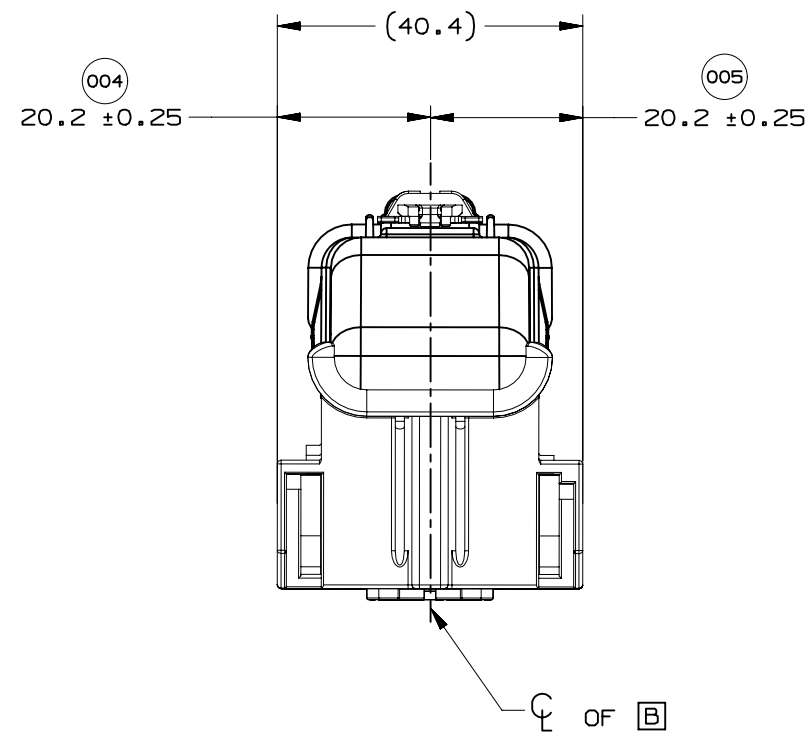
6. CONTACT MOLEX AUTOMOTIVE FOR AVAILABLE CUSTOM PATTERNS OF CAVITIES OPEN FOR CIRCUITS



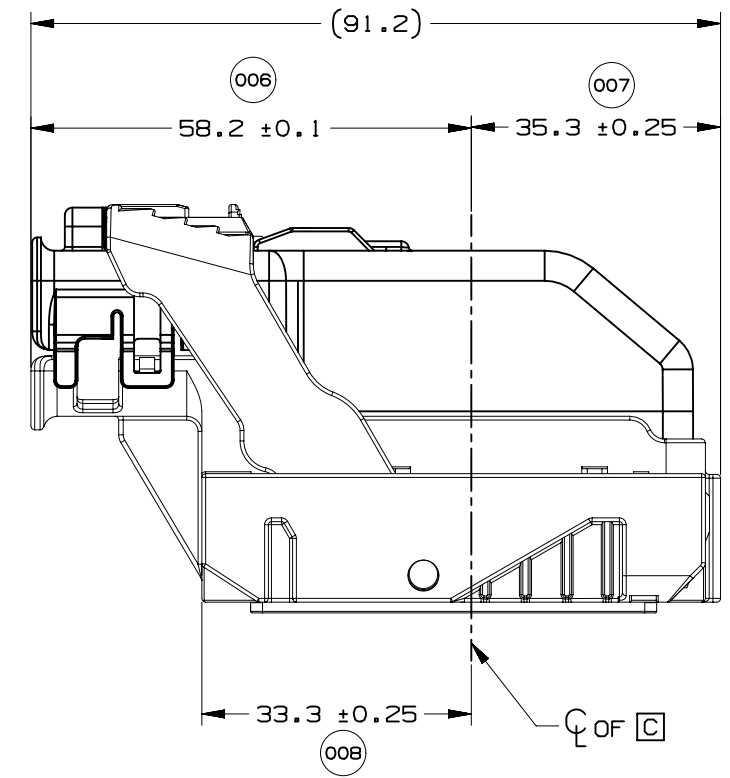




WIRE DRESS OPTION 0 SHOWN

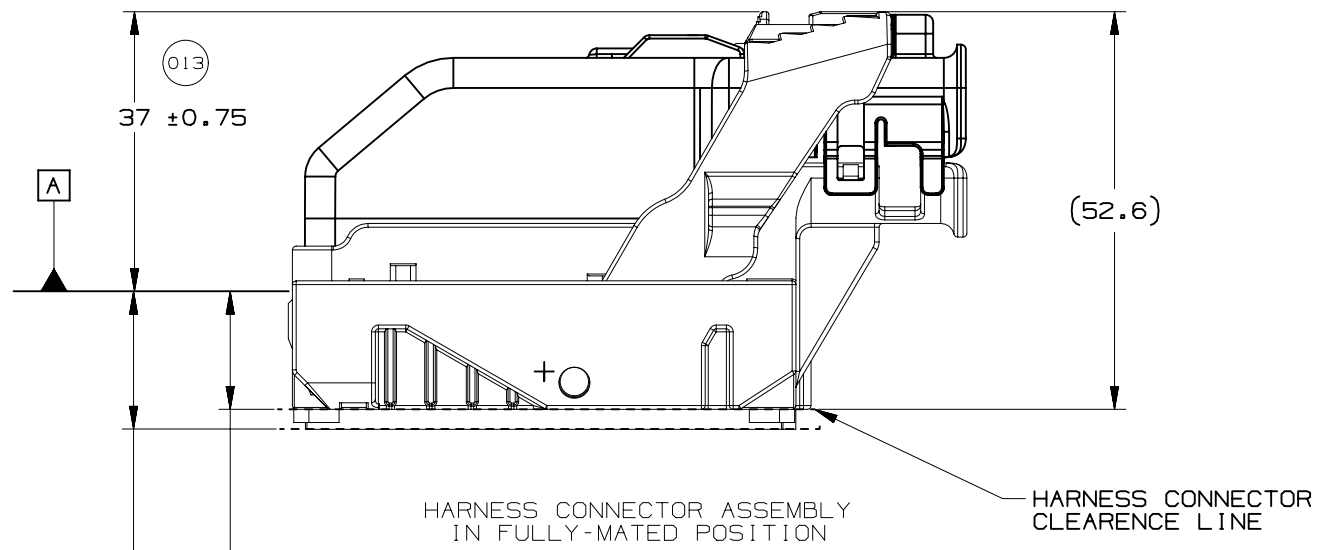
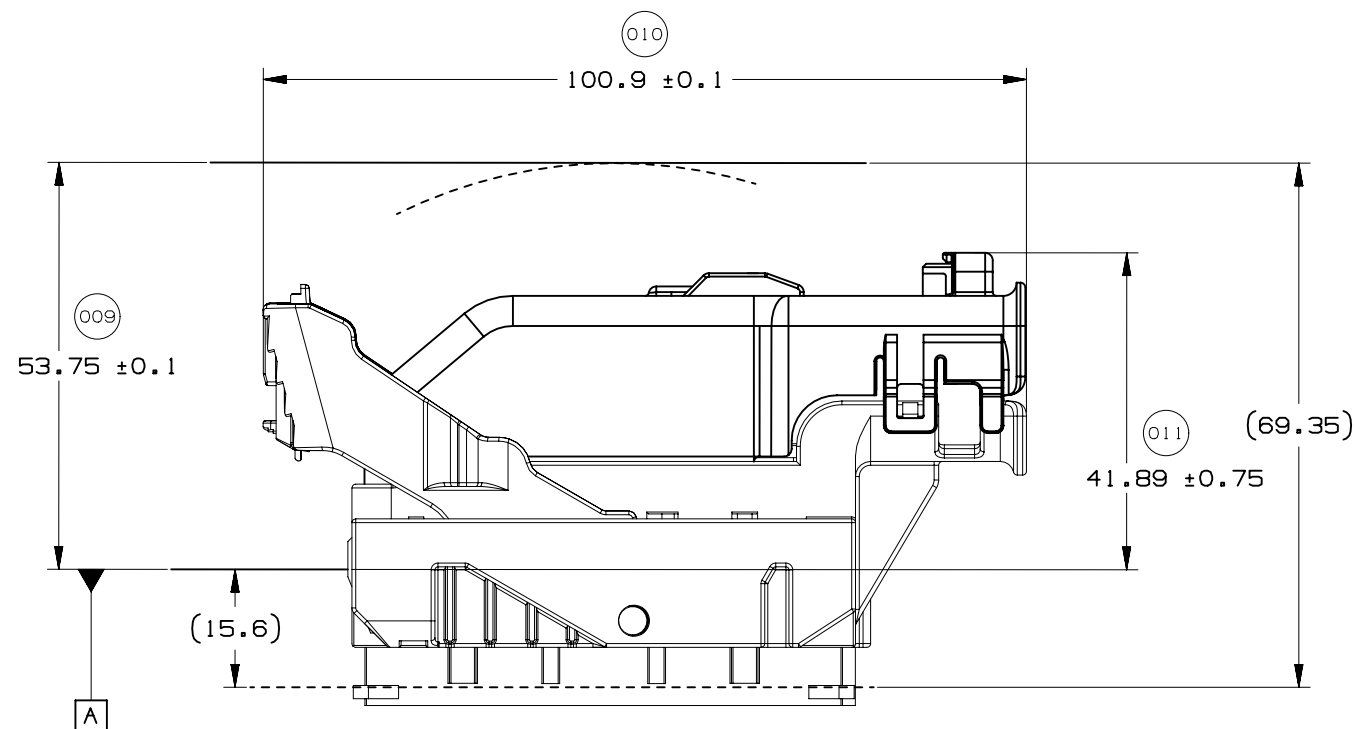
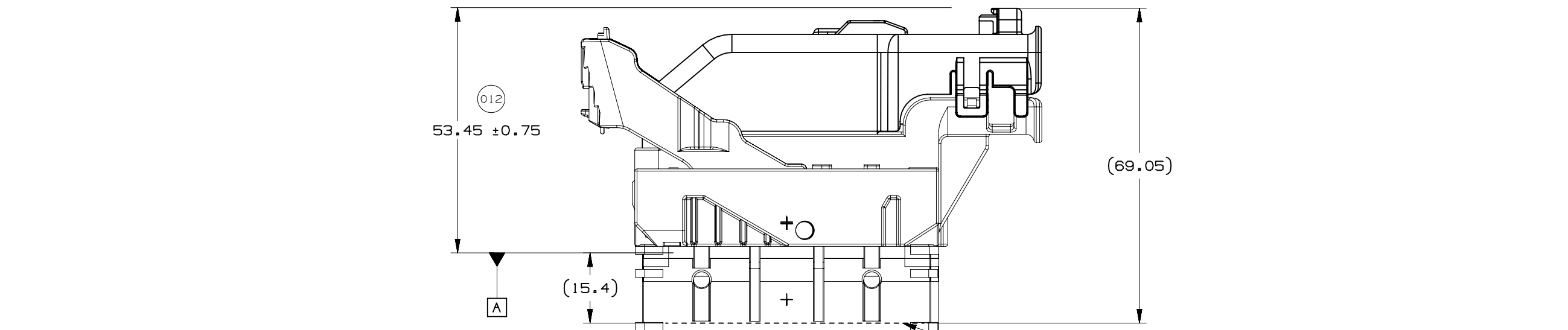


WIRE DRESS OPTION 0 SHOWN



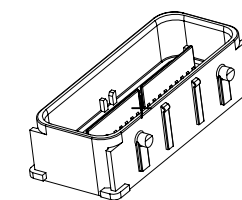
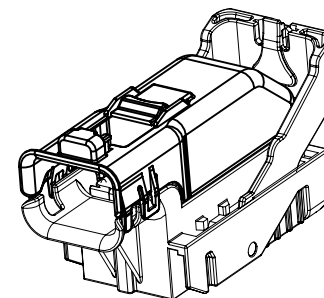
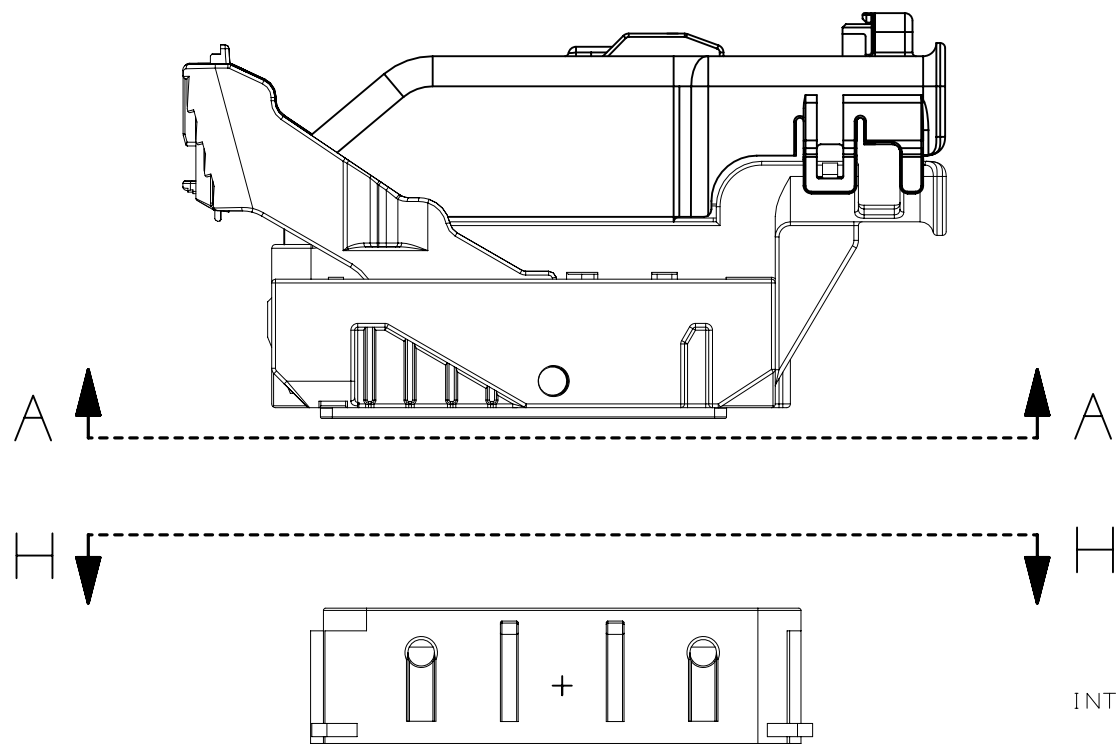
WIRE DRESS OPTION 9 SHOWN





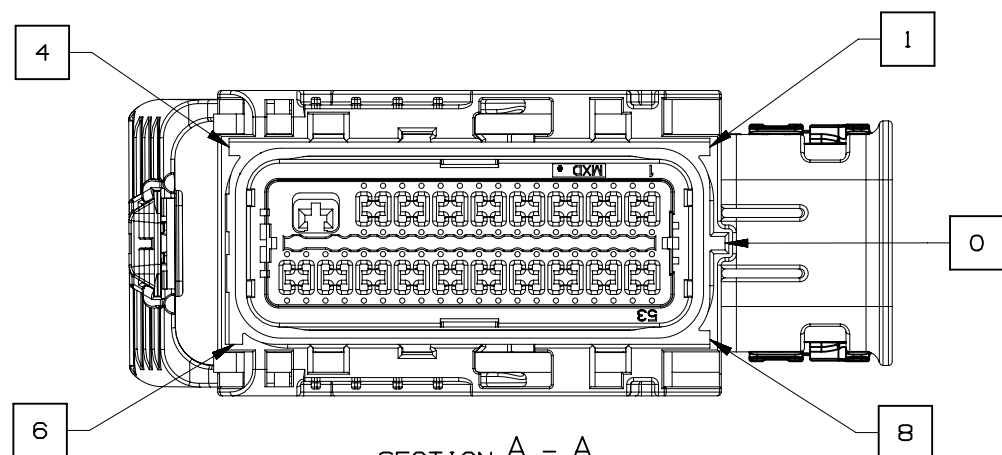
17.9 MIN. AT PAD LOCATION
 CLEARANCE REQUIRED
 FOR HARNESS CONNECTOR
 CONSTRUCTION BELOW THIS
 PLANE IS NOT CONTROLLED

015

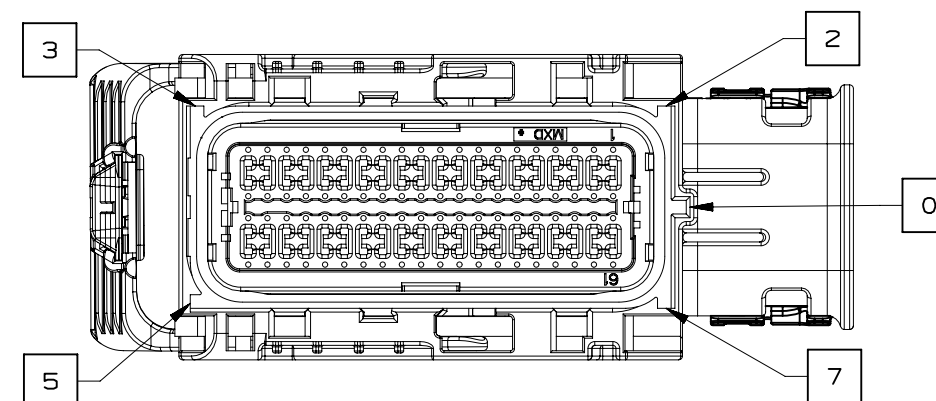


NOTE: REFERENCE THE COMPONENT TABLE FOR KEY OPTIONS AND CONFIGURATIONS

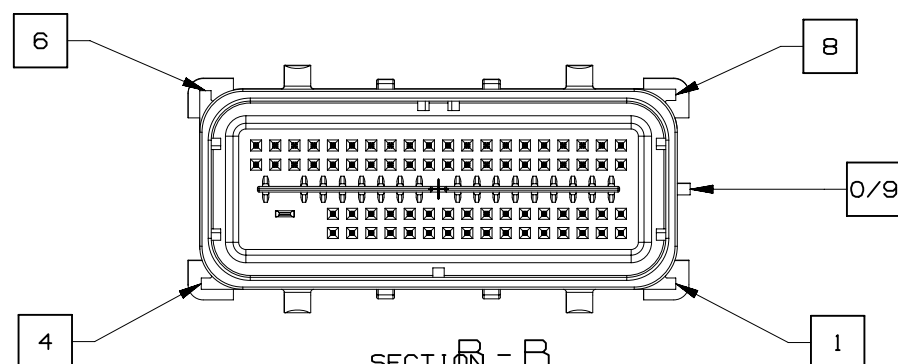
INTERFACE SIDE SHOWN ON ALL SECTION VIEWS



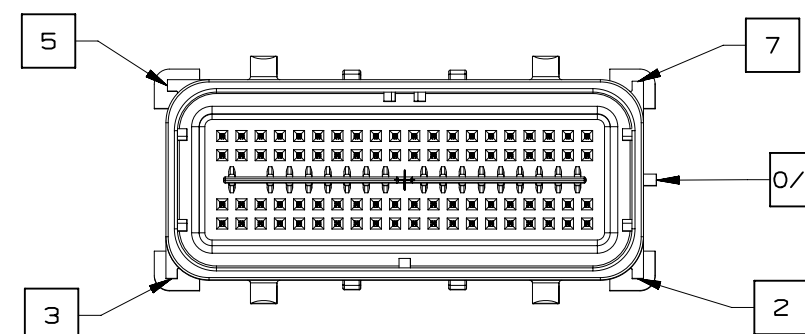
SECTION A - A
KEY OPTION B SHOWN



SECTION A - A
KEY OPTION K SHOWN



SECTION B - B
KEY OPTION B SHOWN



SECTION B - B
KEY OPTION K SHOWN

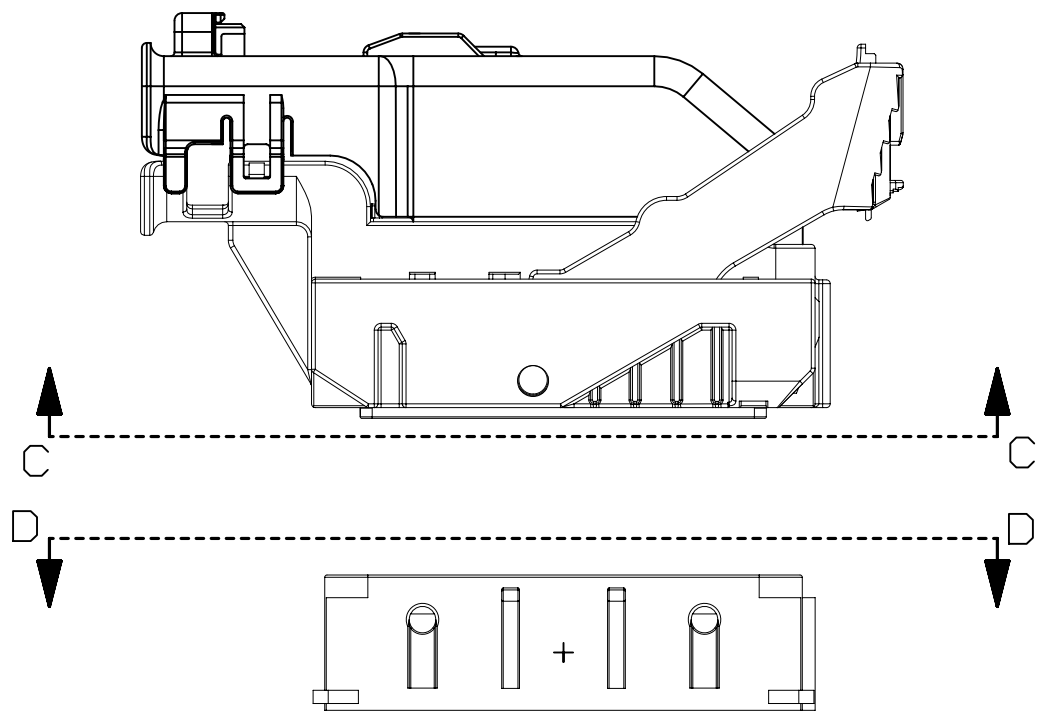


PAGE TITLE
KEY ID REF - WIRE DRESS OPTION 0

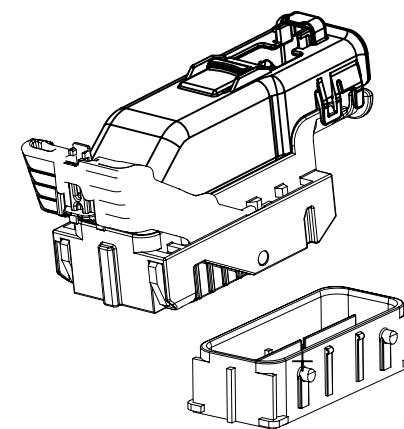
DRAWING NUMBER
12642695

DWG STATUS		
ST	REV	PD1
R	002	

PAGE NUMBER
11 OF 21

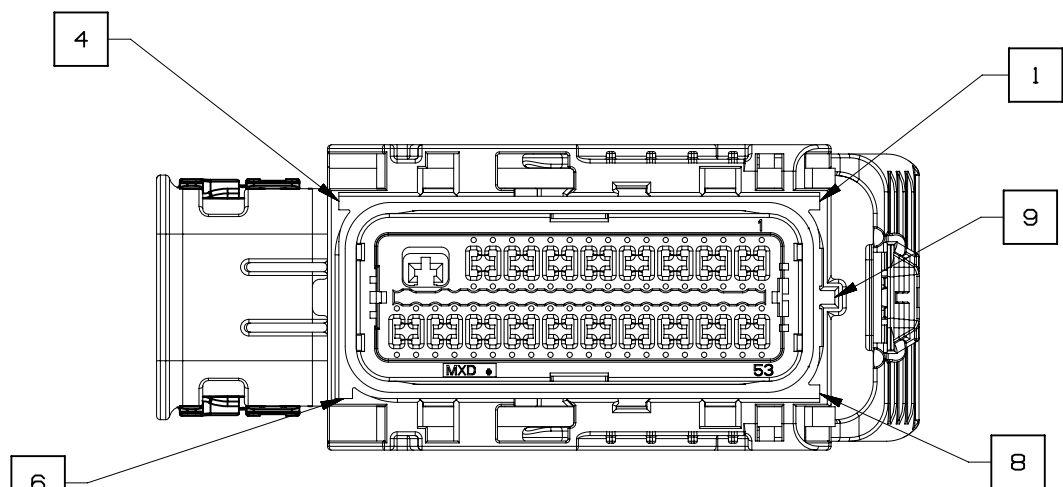


INTERFACE SIDE SHOWN ON ALL SECTION VIEWS

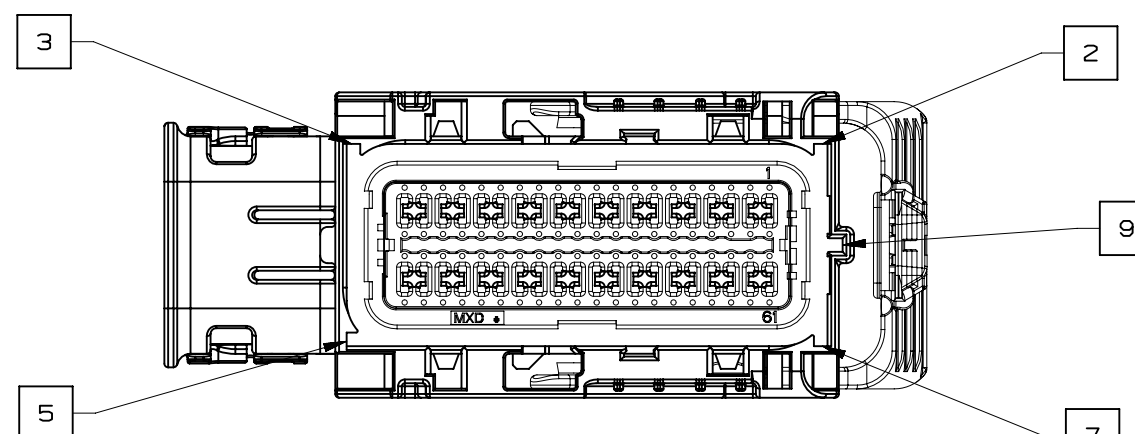


NOTE: REFERENCE THE COMPONENT TABLE FOR KEY OPTIONS AND CONFIGURATIONS

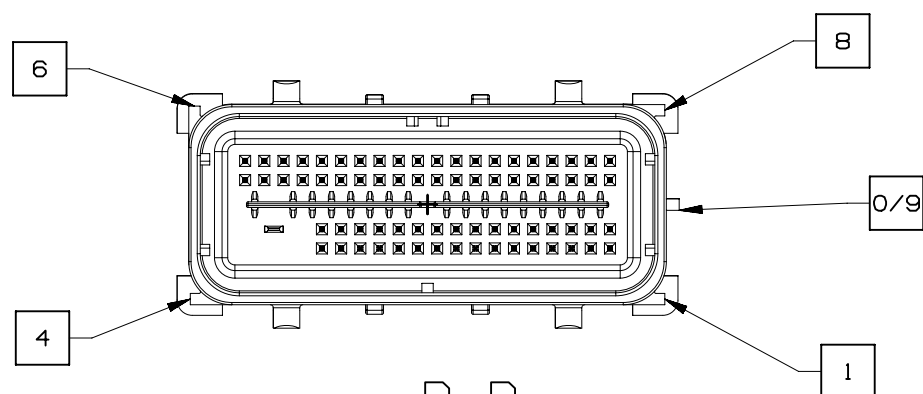
VIEW V



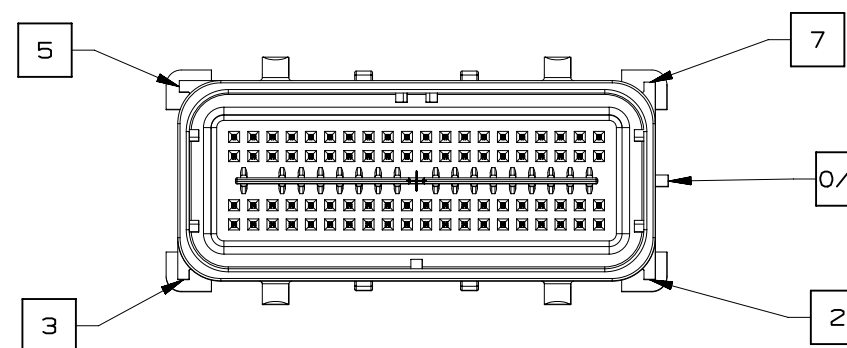
SECTION C-C
KEY OPTION B SHOWN



SECTION C-C
KEY OPTION K SHOWN



SECTION D-D
KEY OPTION B SHOWN



SECTION D-D
KEY OPTION K SHOWN

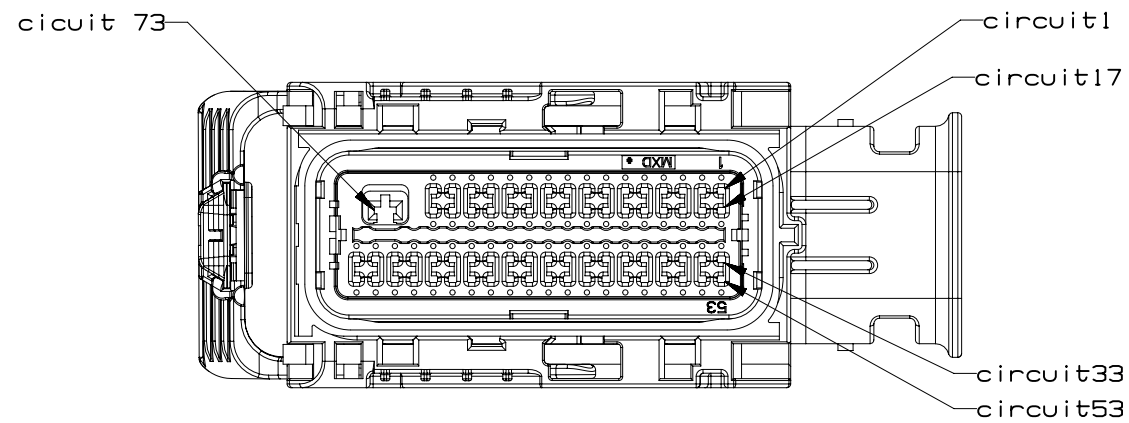


PAGE TITLE
KEY ID REF - WIRE DRESS OPTION 9

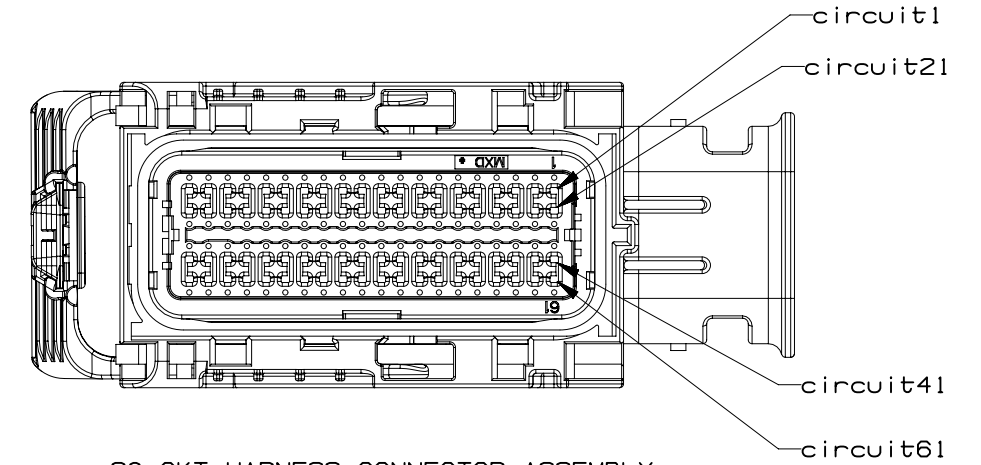
DRAWING NUMBER
12642695

DWG STATUS		
ST	REV	PD1
R	002	

PAGE NUMBER
12 OF 21

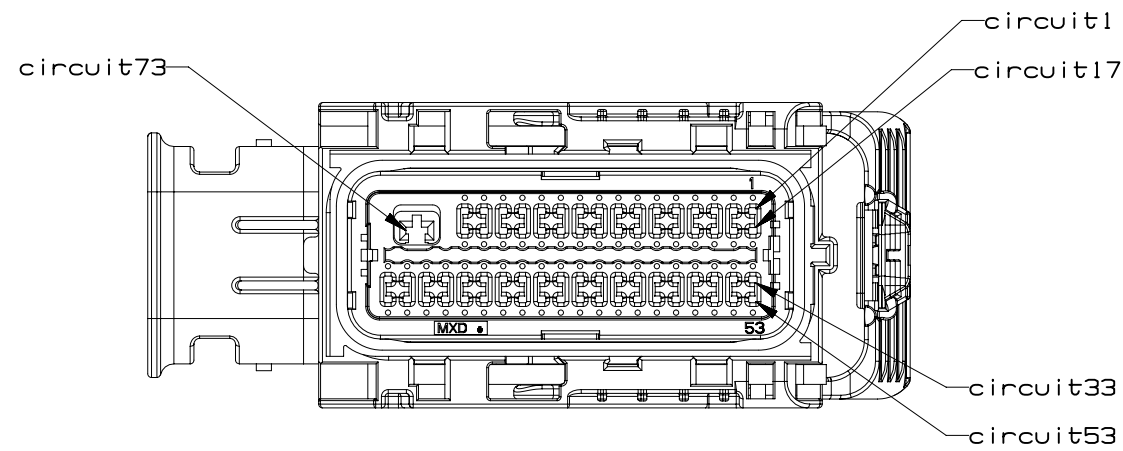


73 CKT HARNESS CONNECTOR ASSEMBLY
WIRE DRESS OPTION 0

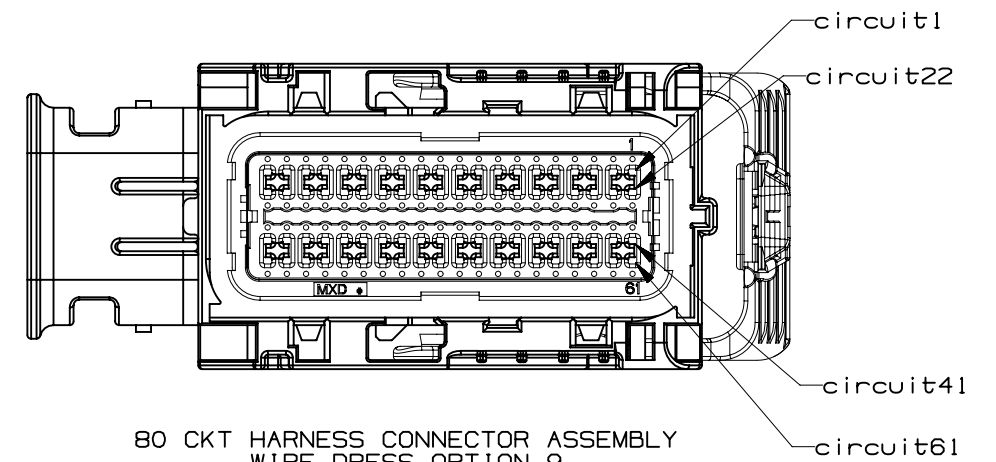


80 CKT HARNESS CONNECTOR ASSEMBLY
WIRE DRESS OPTION 0

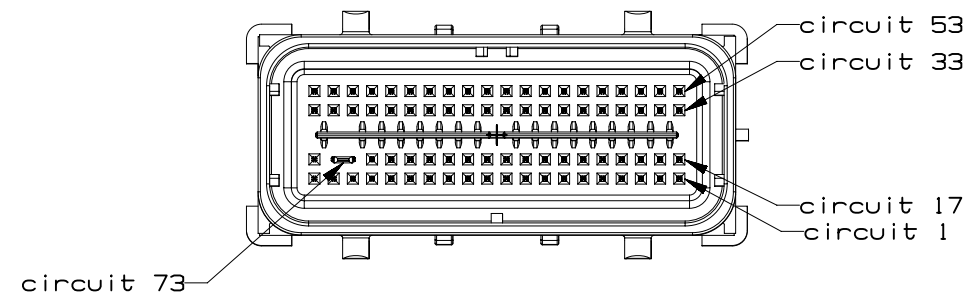
INTERFACE SIDE SHOWN ON ALL VIEWS



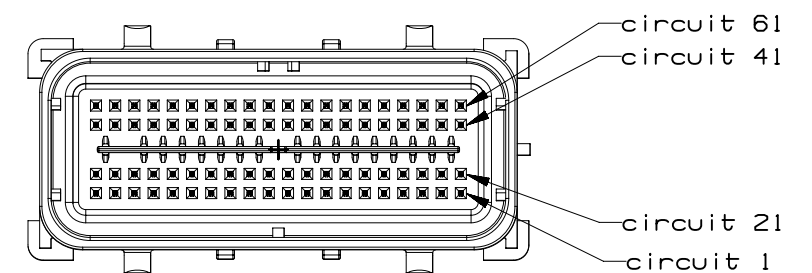
73 CKT HARNESS CONNECTOR ASSEMBLY
WIRE DRESS OPTION 9



80 CKT HARNESS CONNECTOR ASSEMBLY
WIRE DRESS OPTION 9

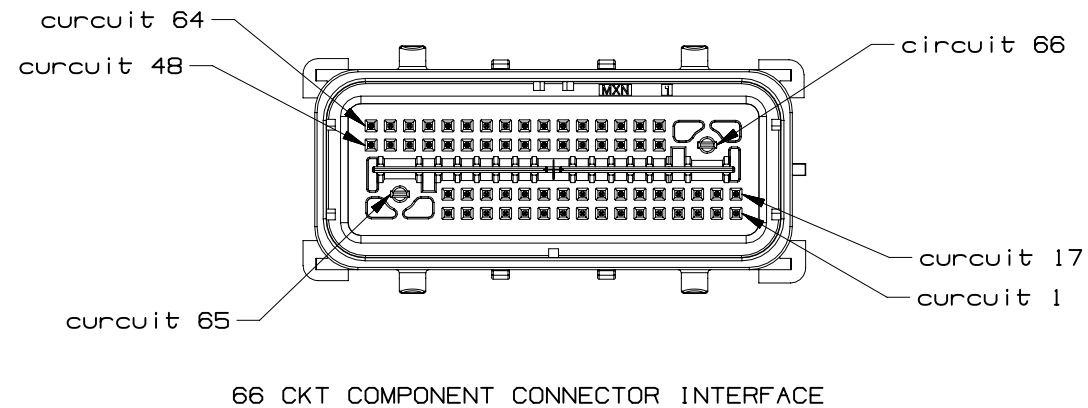
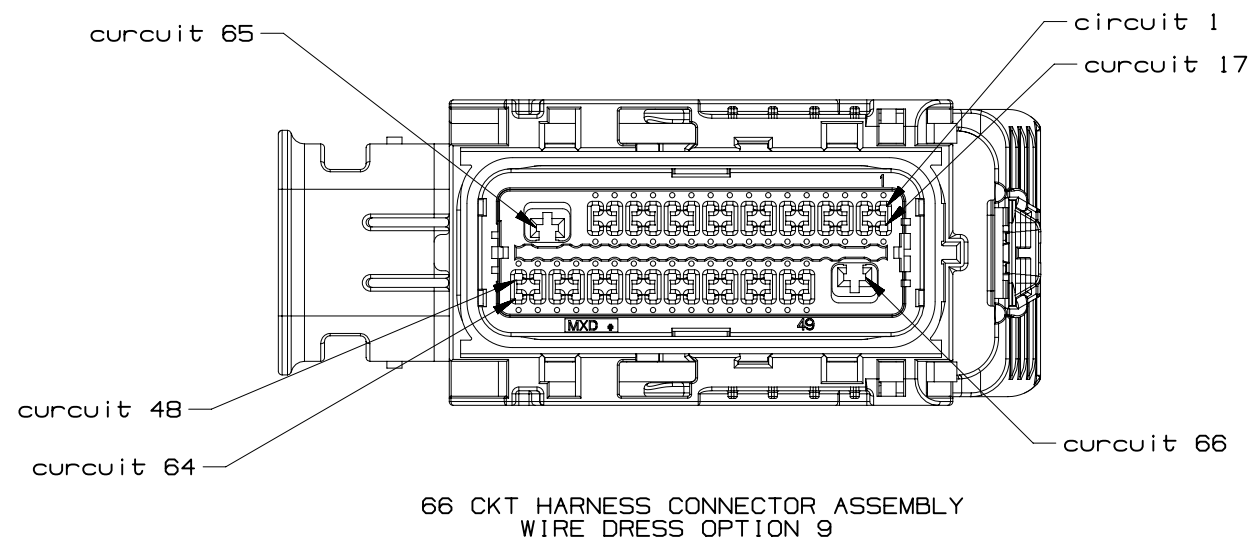
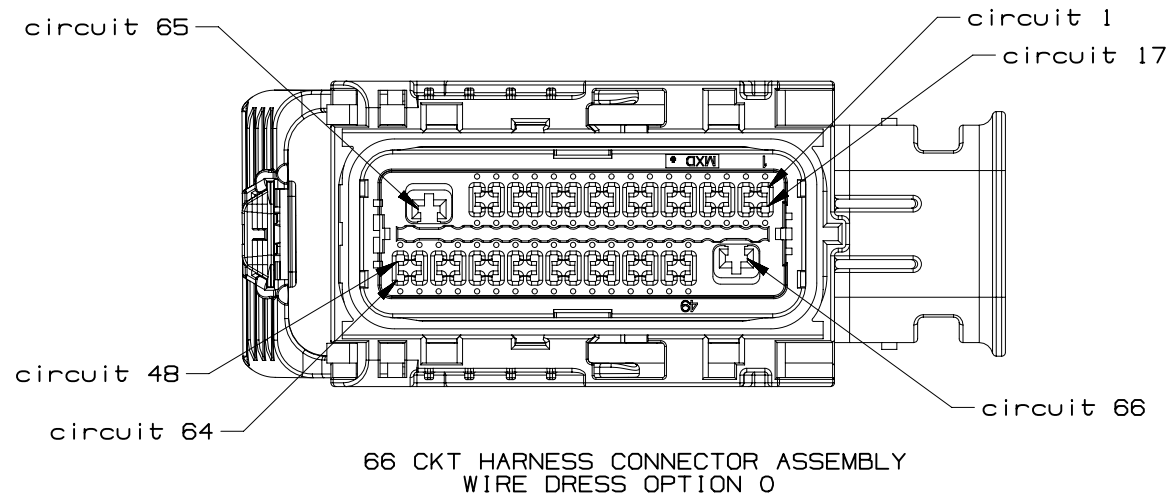



73 CKT COMPONENT CONNECTOR INTERFACE

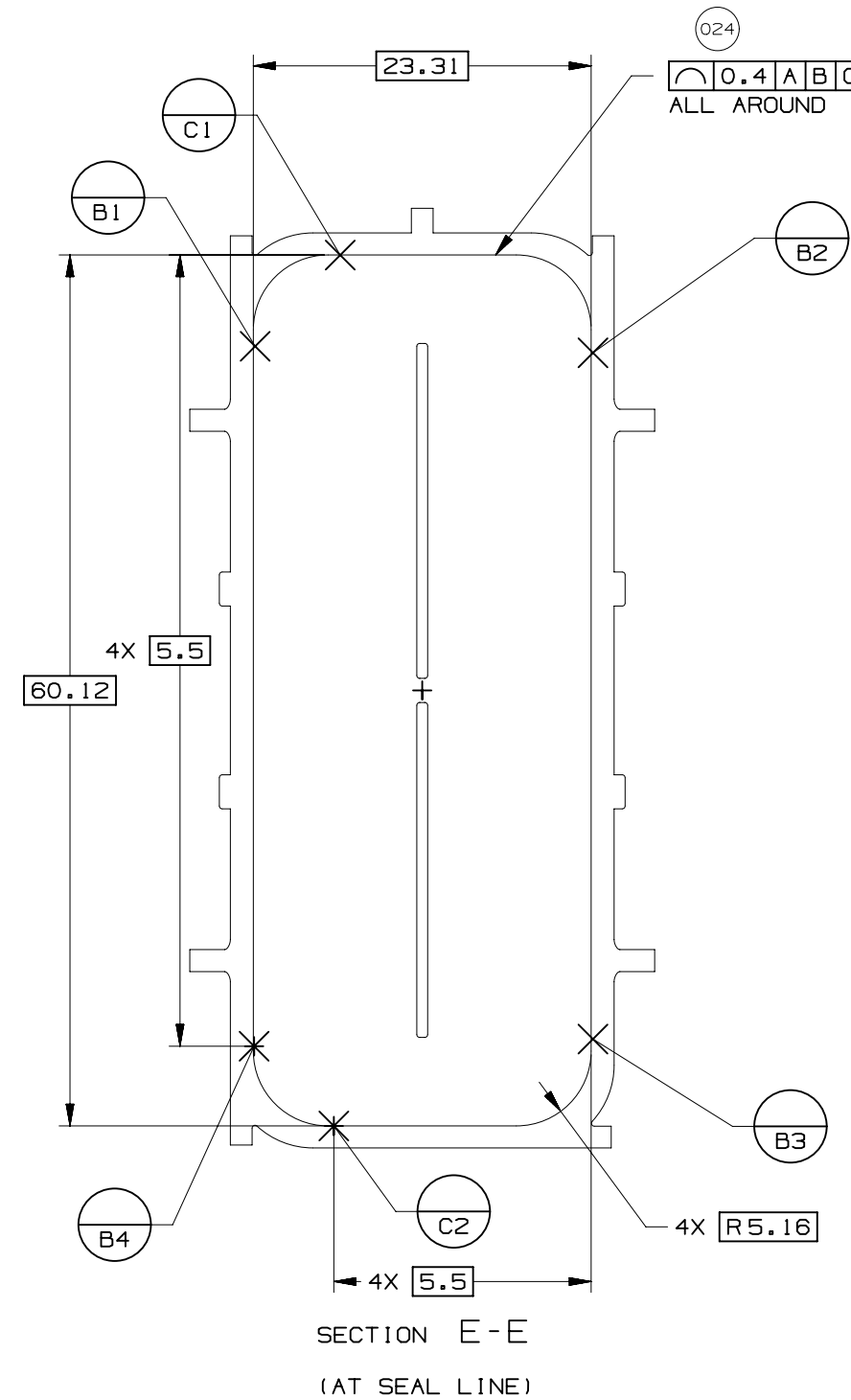
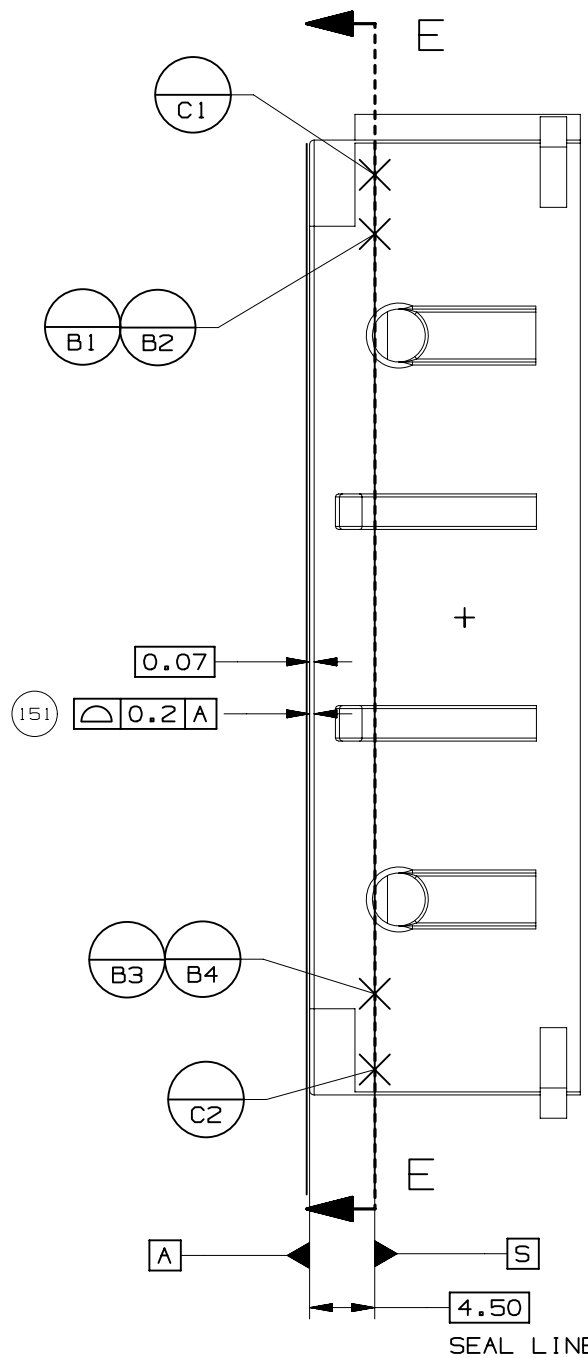
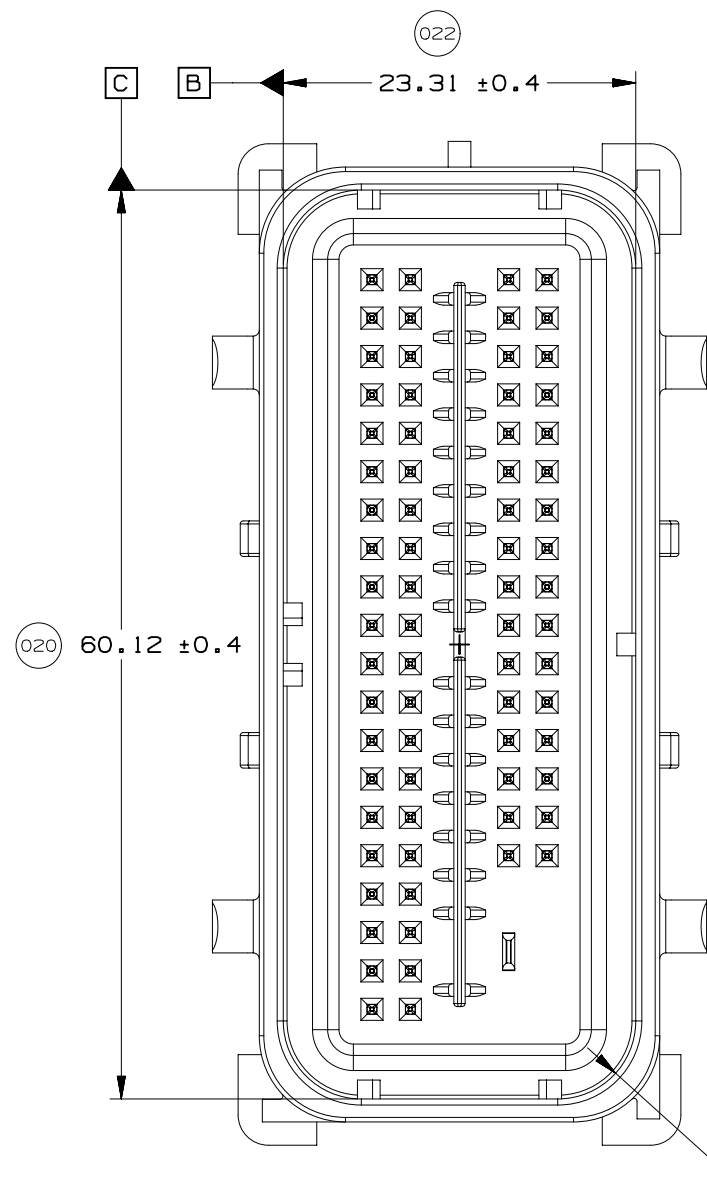
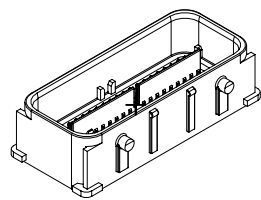


80 CKT COMPONENT CONNECTOR INTERFACE





	PAGE TITLE	DRAWING NUMBER	DWG STATUS			PAGE NUMBER	
	CIRCUIT CONFIGURATIONS		12642695	ST	REV	PDI	14 of 21
				R	002		



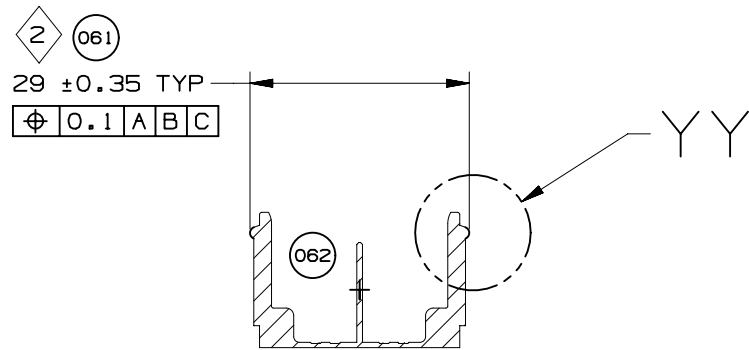
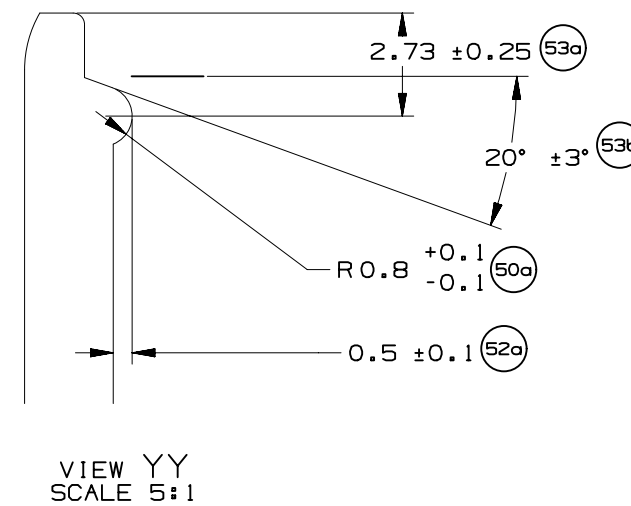
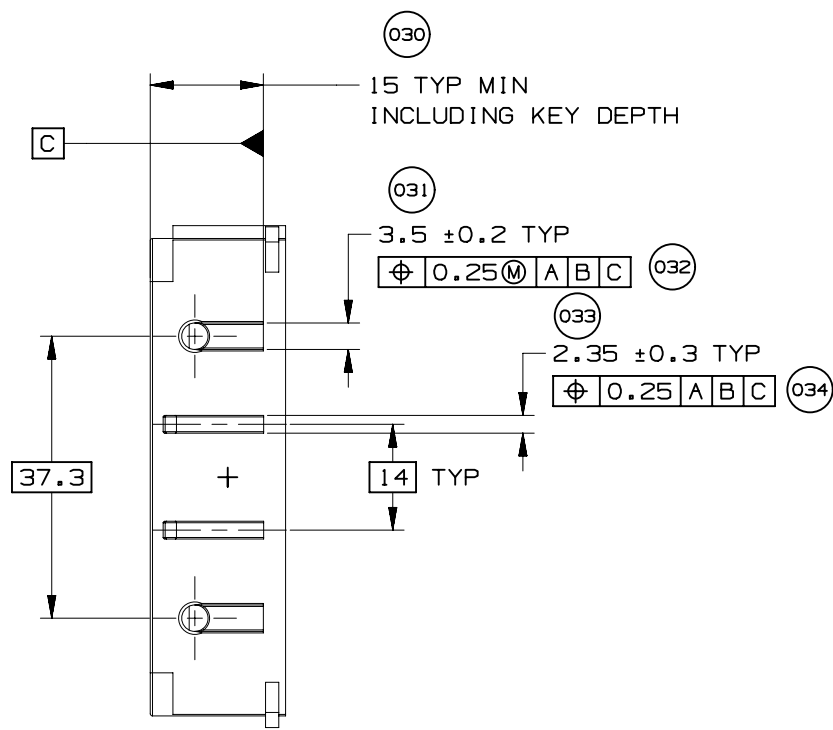
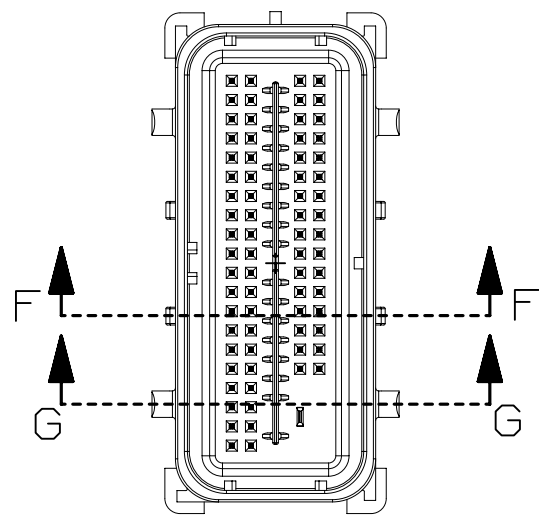
UNLESS SPECIFIED, TOLERANCE OF THE COMPONENT CONNECTOR INTERFACE TO BE $\nabla 0.13 \text{ A B C}$



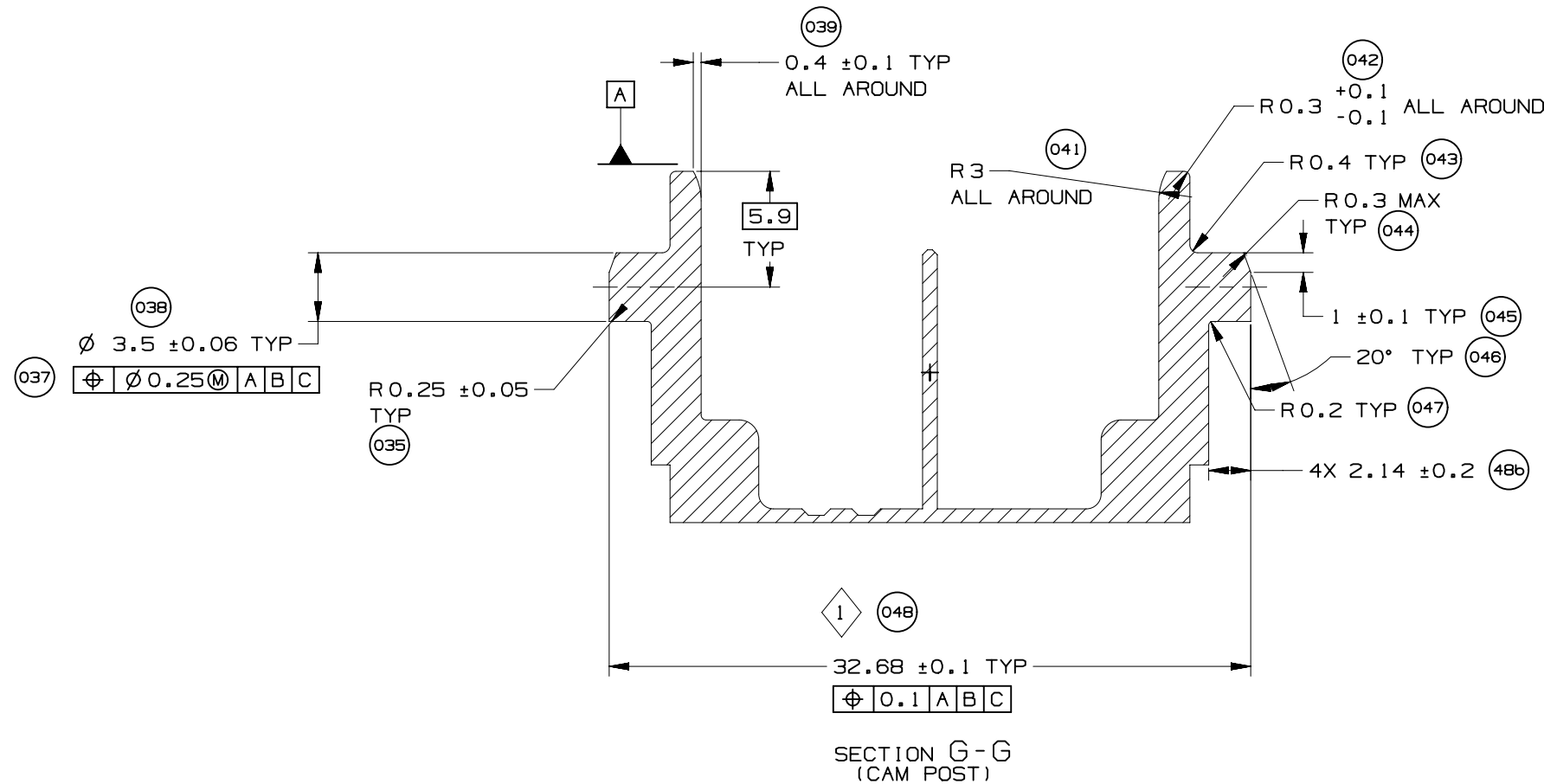
PAGE TITLE
COMPONENT CONNECTOR INTERFACE

DRAWING NUMBER
12642695

DWG STATUS			PAGE NUMBER
ST	REV	PD1	
R	002		15 OF 21

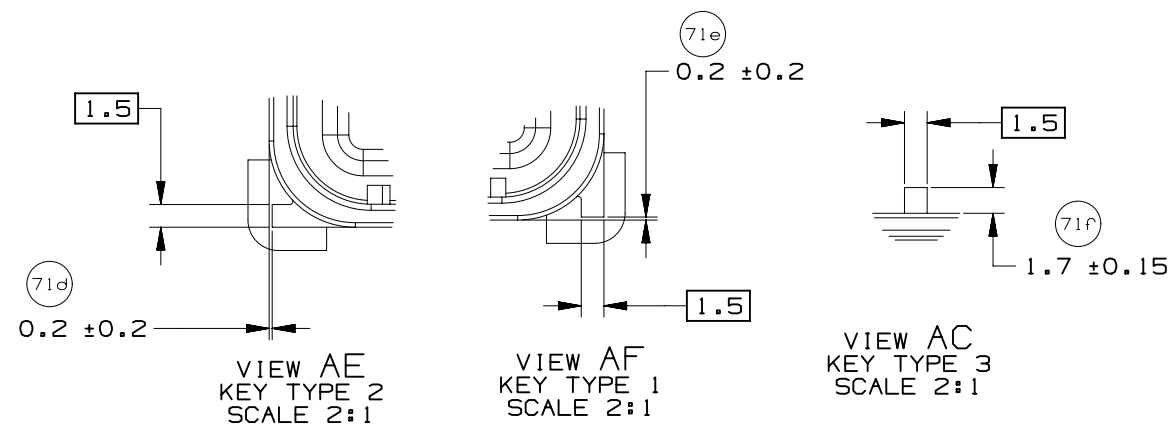
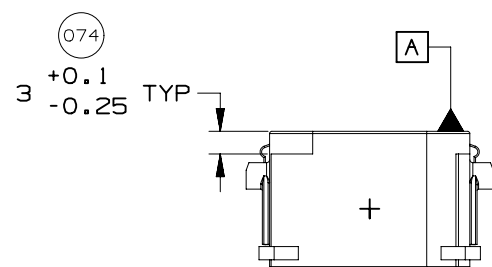
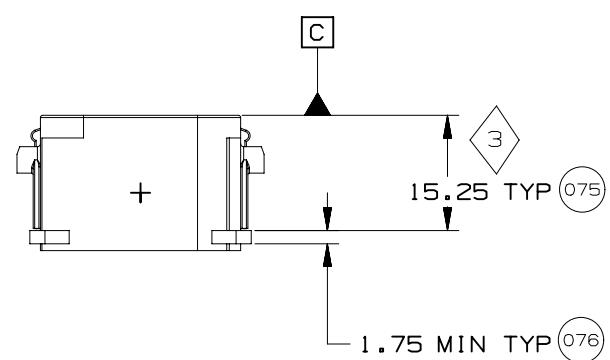
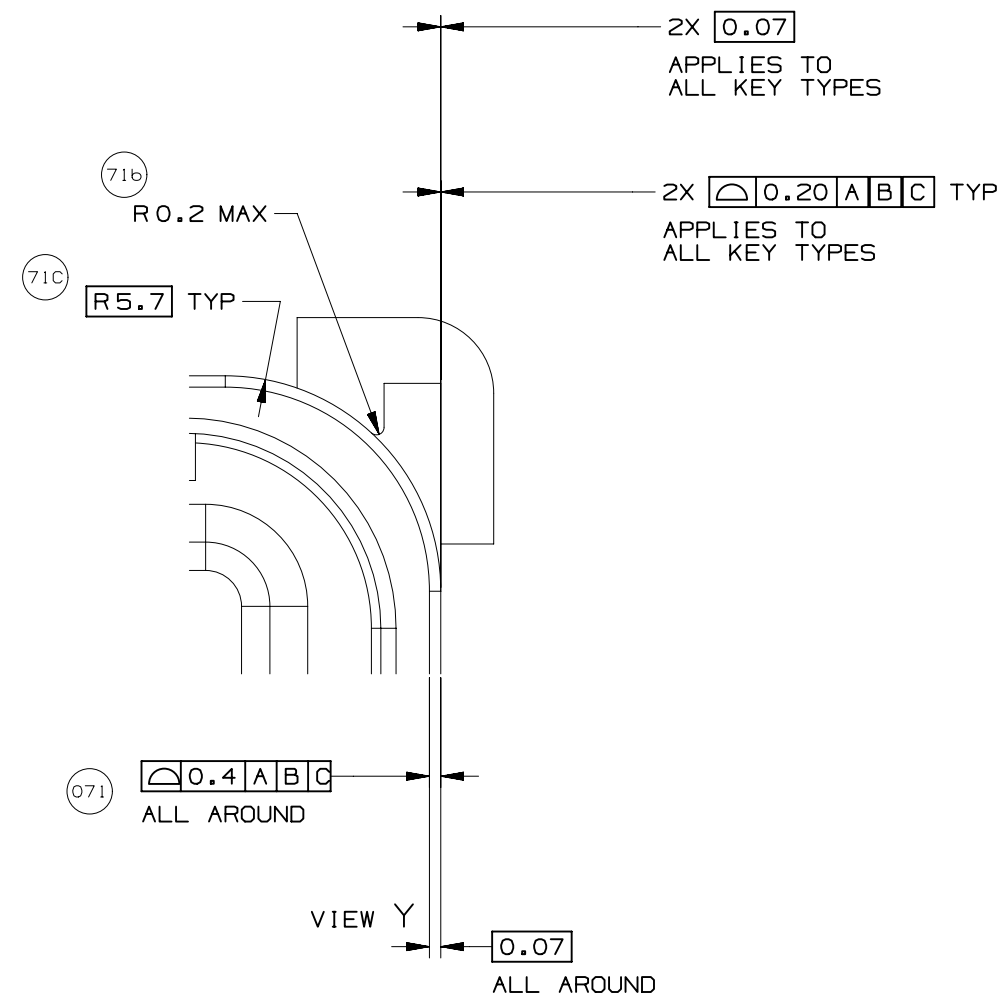
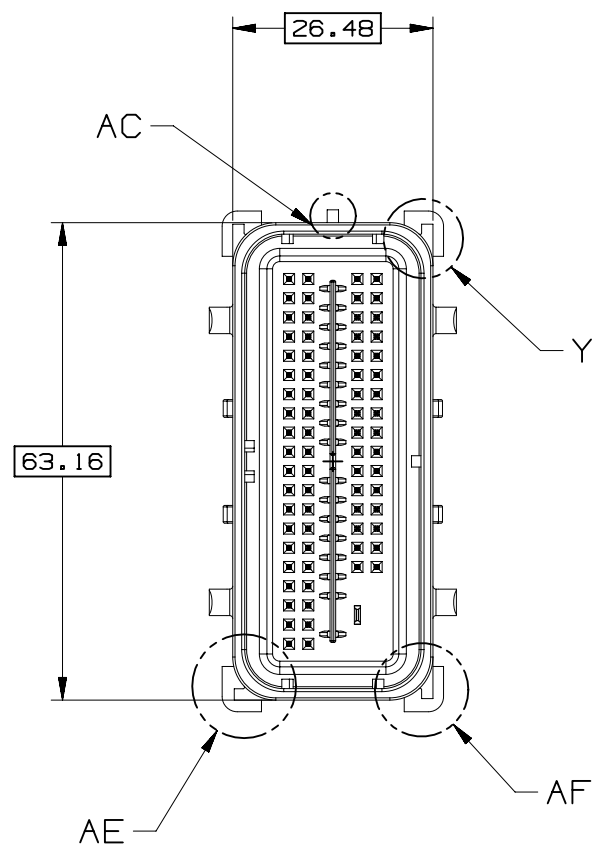
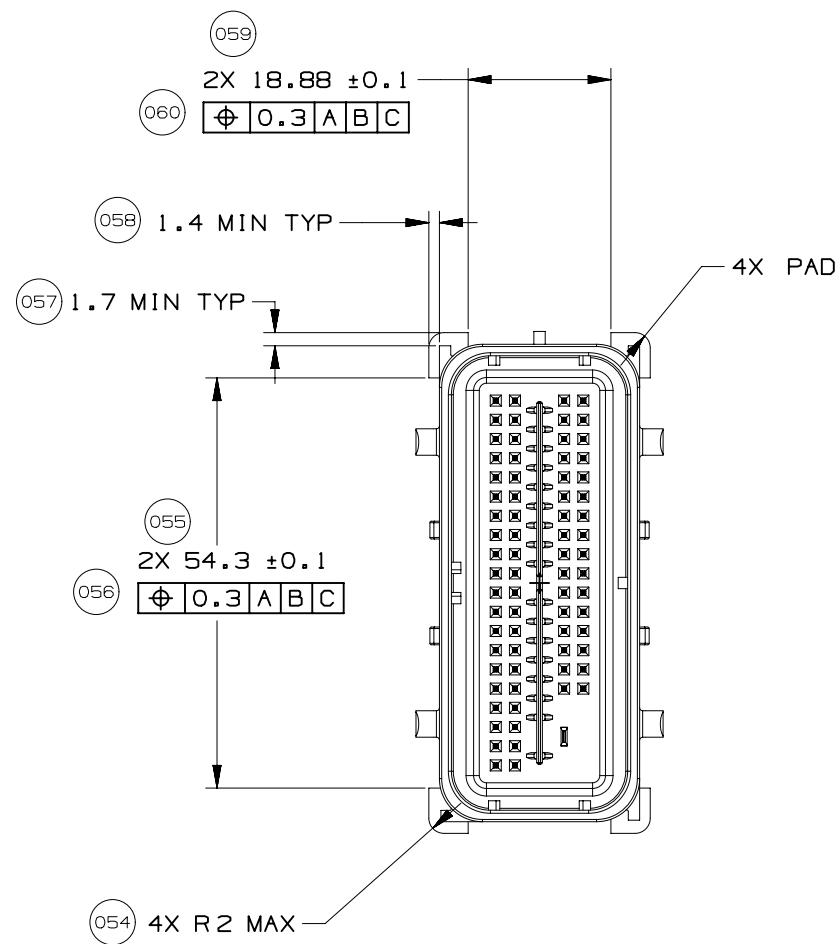


SECTION F-F



SECTION G-G
(CAM POST)

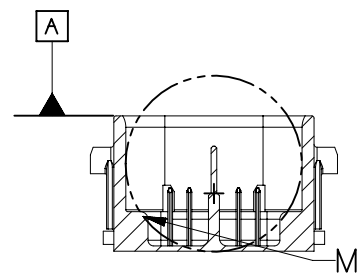
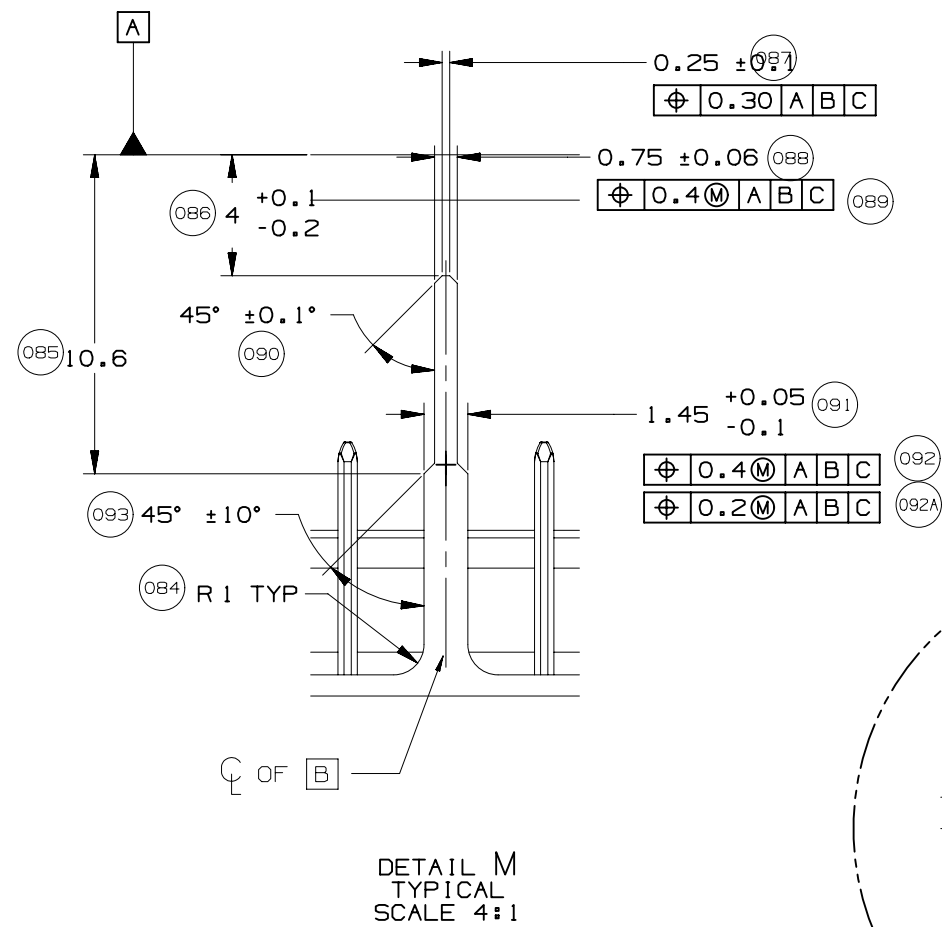
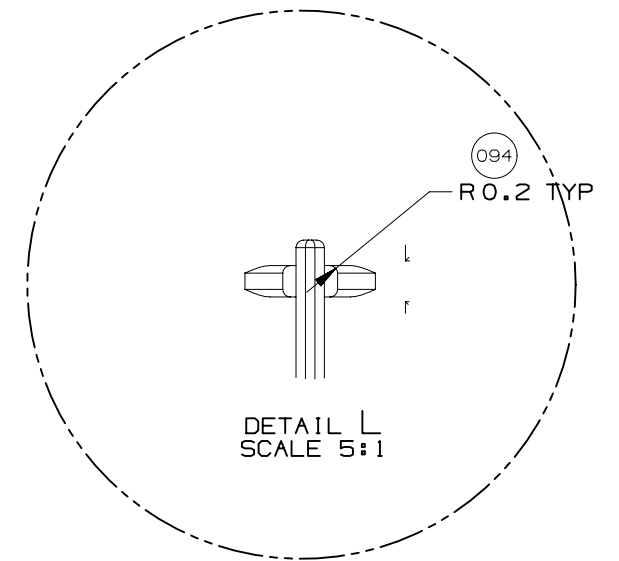
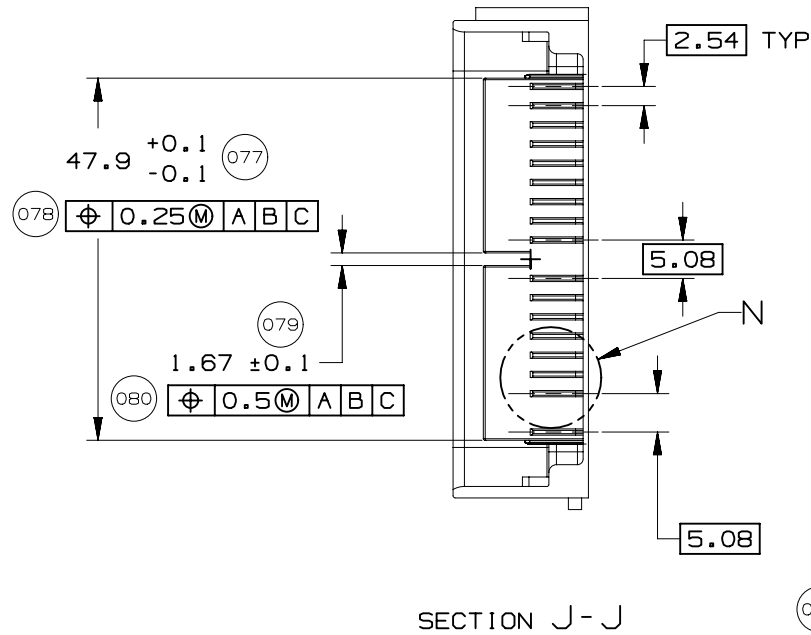
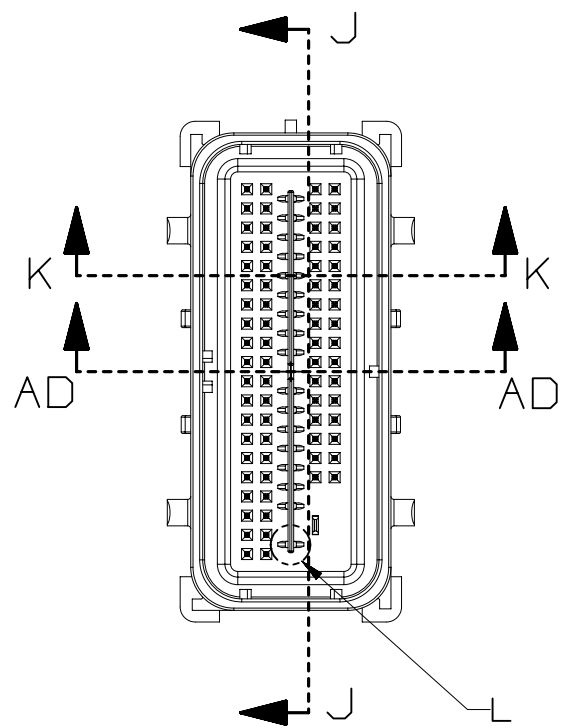




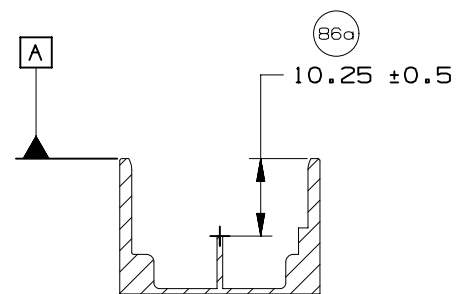
PAGE TITLE
 COMPONENT CONNECTOR INTERFACE

DRAWING NUMBER
 12642695

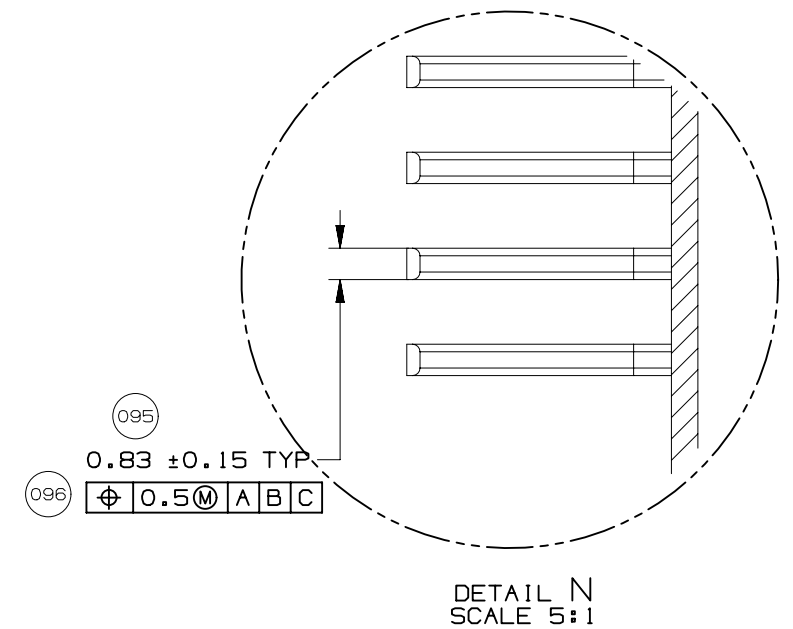
DWG STATUS			PAGE NUMBER	
ST	REV	PD1		
R	002		17	OF 21



SECTION K-K

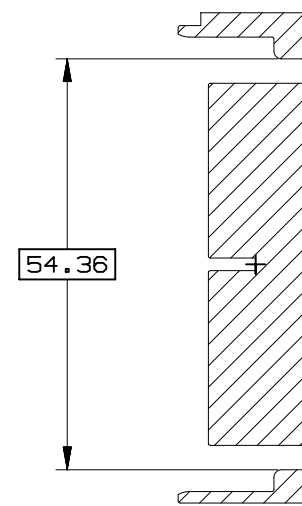
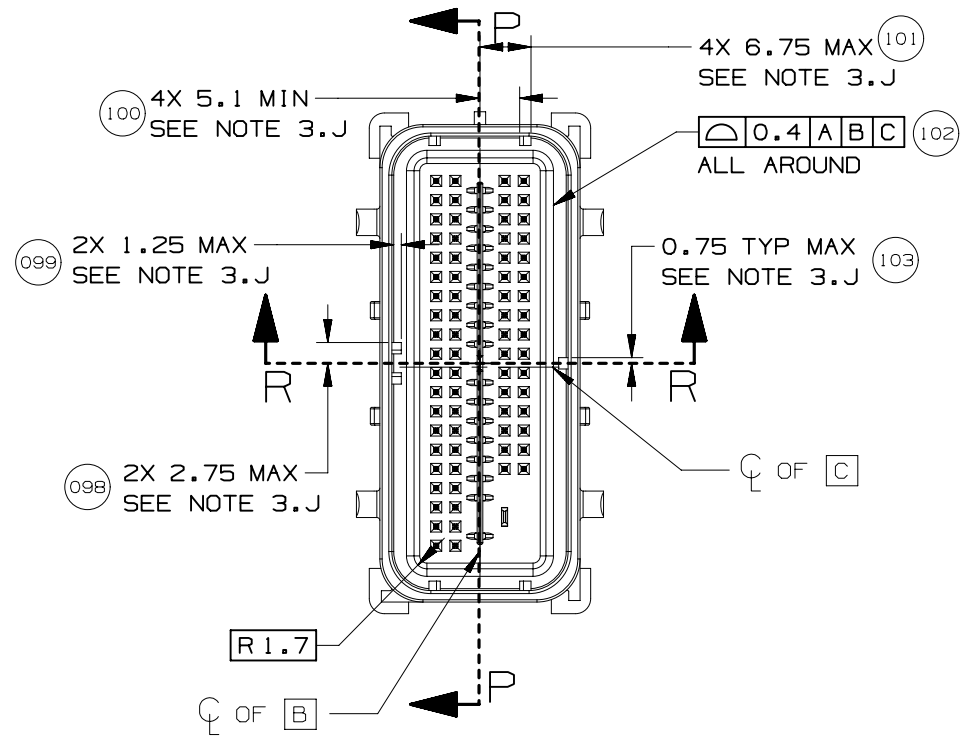


SECTION AD-AD

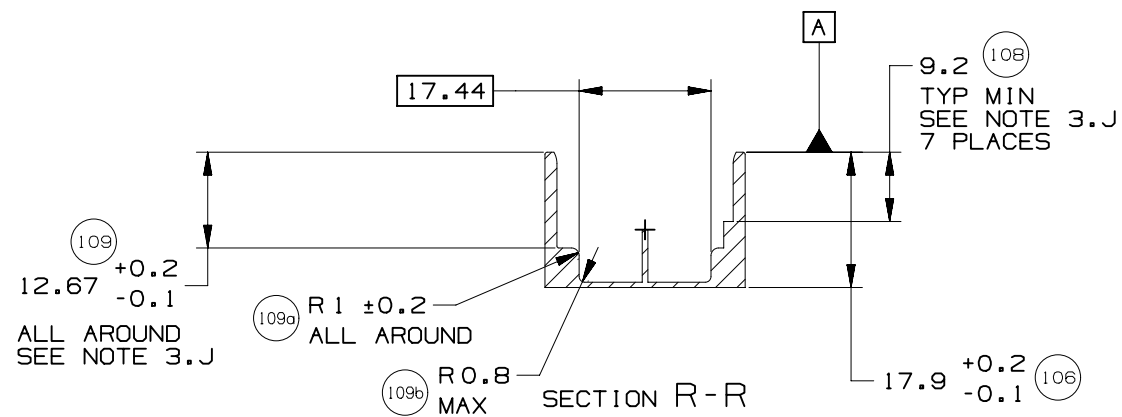


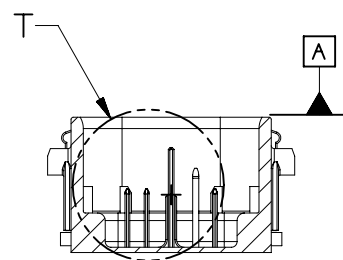
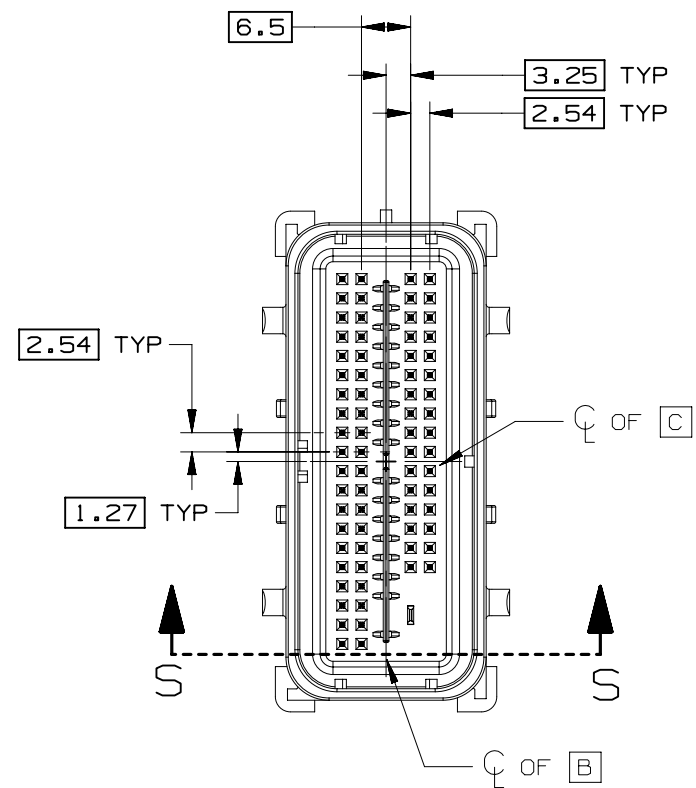
DETAIL N
SCALE 5:1



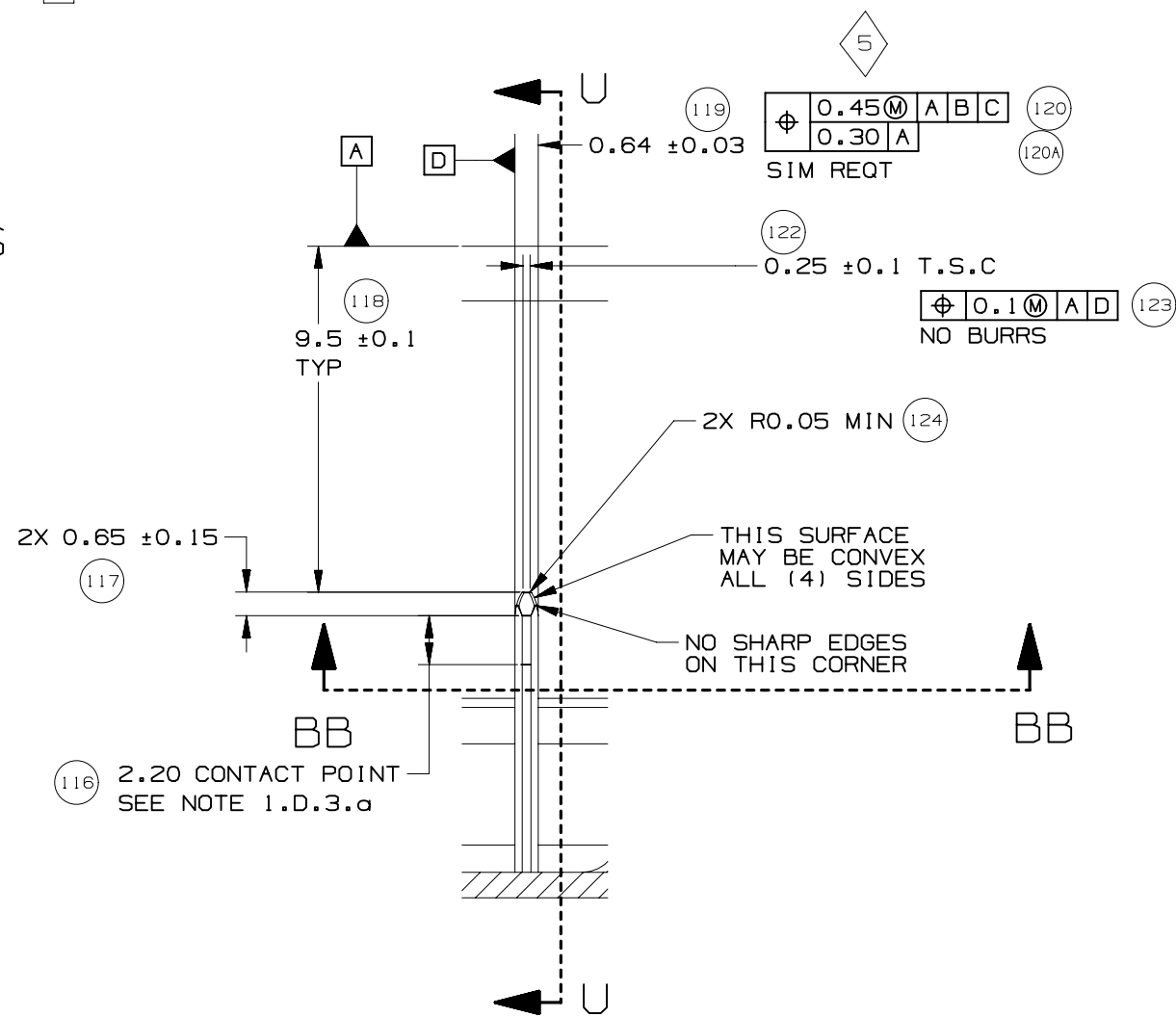


SECTION P-P

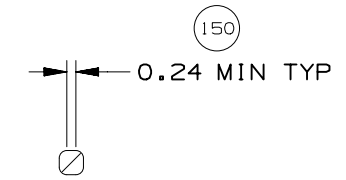




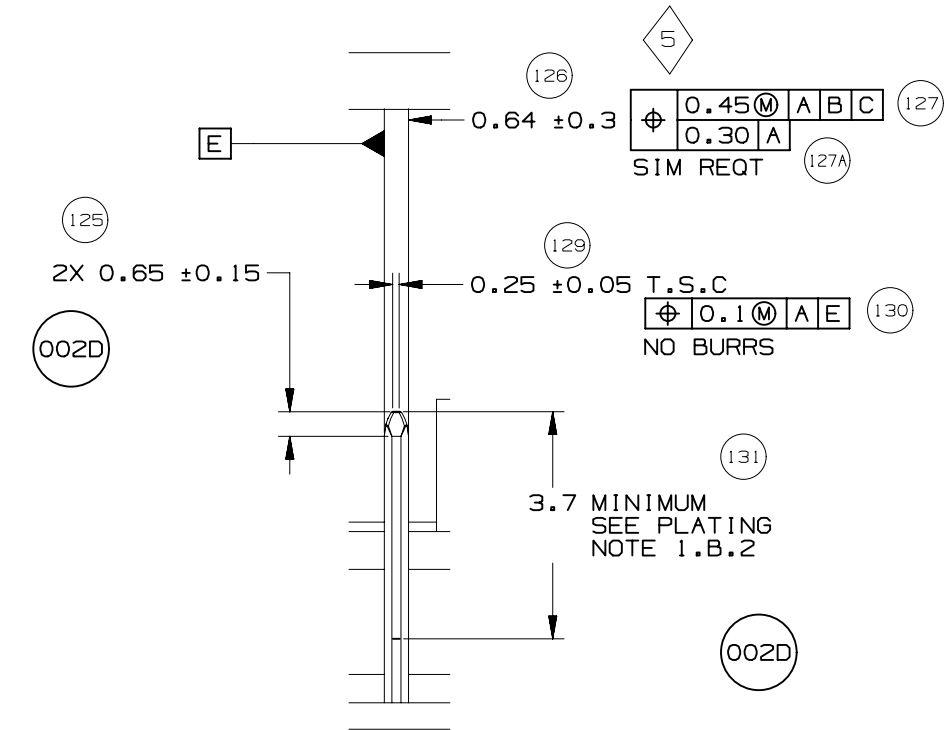
SECTION S-S



DETAIL T
TYPICAL
SCALE 5:1



SECTION BB-BB



SECTION U-U

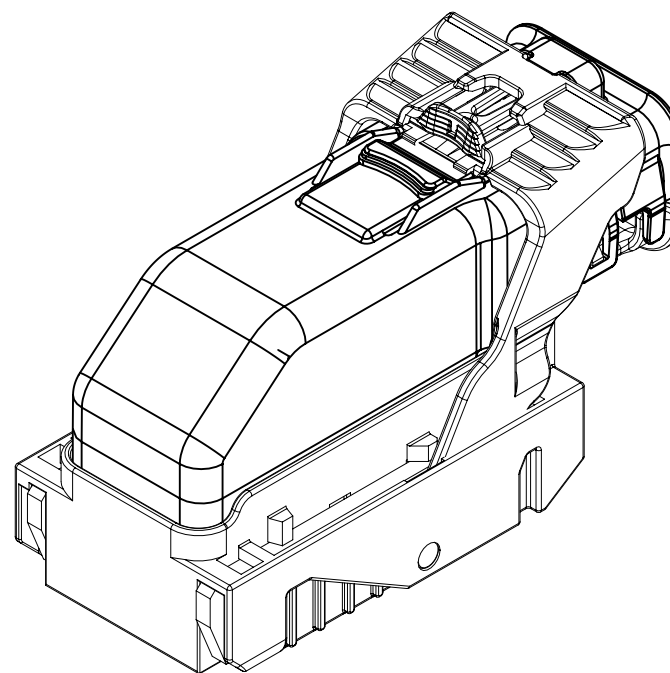


PAGE TITLE
COMPONENT CONNECTOR INTERFACE


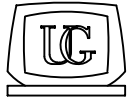
DRAWING NUMBER
12642695

DWG STATUS			PAGE NUMBER
ST	REV	PD1	
R	002		20 OF 21

INDEX	
PAGE TITLE	PAGE
TITLE BLOCK	1
REVISION BLOCK	2
PART BLOCK	3
KPC BLOCK	4
COMPONENT TABLE	5
NOTES	6
NOTES	7
WIRE DRESS PACKAGING DIMENSIONS	8
LOCATION AND PACKAGING DIMENSIONS REFERENCING INTERFACE DATUMS B & C	9
LOCATION AND PACKAGING DIMENSIONS REFERENCING INTERFACE DATUM A	10
KEY ID REF - WIRE DRESS OPTION 0	11
KEY ID REF - WIRE DRESS OPTION 9	12
CIRCUIT CONFIGURATIONS	13
CIRCUIT CONFIGURATIONS	14
COMPONENT CONNECTOR INTERFACE	15
COMPONENT CONNECTOR INTERFACE	16
COMPONENT CONNECTOR INTERFACE	17
COMPONENT CONNECTOR INTERFACE	18
COMPONENT CONNECTOR INTERFACE	19
COMPONENT CONNECTOR INTERFACE	20
COMPONENT CONNECTOR INTERFACE	21
ADDITIONAL COMPONENTS REQUIRED	22




ISO VIEW

	<p>UNLESS OTHERWISE SPECIFIED: THIS DOCUMENT IS IN ACCORDANCE WITH ASME Y14.5M-1994 AS AMMENDED BY THE GM GLOBAL DIMENSIONING AND TOLERANCING ADDENDUM-1997. ALL GEOMETRIC TOLERANCES AND RELATED DATUMS APPLY RFS. RULE #1 (PERFECT FORM AT MMC) DOES NOT APPLY WHEN A RELATIONSHIP BETWEEN FEATURES IS ESTABLISHED BY ORIENTATION OR LOCATION TOLERANCES. SEPARATE POSITION CALLOUTS MAY BE GAGED SEPARATELY REGARDLESS OF DATUM REFERENCES.</p>			DATE
	 CHANGE RESTRICTED NO MANUAL CHANGES	REFERENCE 12H (MOLEX AUTOMOTIVE)	DRAFTER APVD1	05JN15
DO NOT SCALE		APVD2		
METRIC DIMENSIONS SHOWN IN MILLIMETERS UNLESS OTHERWISE SPECIFIED	DRAWING NAME	APVD3		
	HARNESS CONN ASM-SEALED 52/66/73/80 CKTS,MX123	APVD4		
		APVD5		
	DRAWING NUMBER	DWG STATUS		
	12672833	ST	REV	
		R	001	
		PAGE NUMBER		
		1	OF 22	

PAGE	DWG STATUS					REVISION HISTORY	AUTH	DR	CK	ENG
	DATE	ST	REV	CHG	PDI					
	05JN15	R	001			RELEASED TO PRODUCTION AT DLS A	CRMRJE	DFK		

PAGE	DWG STATUS					REVISION HISTORY	AUTH	DR	CK	ENG
	DATE	ST	REV	CHG	PDI					

	PAGE TITLE	DRAWING NUMBER	DWG STATUS			PAGE NUMBER	
	REVISION BLOCK		12672833	ST	REV	PDI	2 OF 22
				R	001		

KEY PRODUCT CHARACTERISTICS
(IN ACCORDANCE WITH QN 1805 OR ON 1050)



SAFETY/COMPLIANCE

TOTAL ON
DRAWING

4



FIT/FUNCTION

LAST NO.
USED

4

NO	TYPE	DESCRIPTION	RATIONALE	PAGE/ZONE
1	F/F	32.68	IMPROVE CONNECTOR SYSTEM MATING	16
2	F/F	29.00	INSURE PROPER RELEASE OF LEVER	16
3	F/F	15.25	INSURE FINAL MATE POSITION	17
4	F/F	POSITIONAL TOLERANCE (2 PLACES)	INSURE CONNECTOR SYSTEM MATEABILITY	20



PAGE TITLE
KPC BLOCK

DRAWING NUMBER

12672833

DWG STATUS

ST	REV	PDI
----	-----	-----

R	001	
---	-----	--

PAGE NUMBER

4 OF 22

LINE	MFG.	MFG. P/N	GM P/N	EFFECTIVE DATE	APPLICABLE COMPONENTS	KEY OPTION	WIRE DRESS OPTION	KEY CONFIG.	COLOR	STATUS
					DESCRIPTION					
-										
1	MOLEX	34565-0003	12582676	02JN03	MX123 DRESS COVER 52/66/73/80 CKT	N/A	N/A	N/A	BLACK	AVAILABLE
2	MOLEX	160094-0001	12672852	01SP13	MX123 HRNS CONN ASSY 52 CKT	A	0	1458	BLACK	AVAILABLE
3	MOLEX	160094-0003	12672854	01SP13	MX123 HRNS CONN ASSY 52 CKT	C	0	2467	BLUE	AVAILABLE
4	MOLEX	160094-0013	12672853	01SP13	MX123 HRNS CONN ASSY 52 CKT	A	9	1458	BLACK	AVAILABLE
5	MOLEX	160094-0015	12672855	01SP13	MX123 HRNS CONN ASSY 52 CKT	C	9	2467	BLUE	AVAILABLE
6	MOLEX	34822-0013	12672856	01SP13	MX123 HRNS CONN ASSY 66 CKT	A	0	1458	BLACK	AVAILABLE
7	MOLEX	34822-0033	12672858	01SP13	MX123 HRNS CONN ASSY 66 CKT	C	0	2467	BLUE	AVAILABLE
8	MOLEX	34822-0023	12672857	01SP13	MX123 HRNS CONN ASSY 66 CKT	A	9	1458	BLACK	AVAILABLE
9	MOLEX	34822-0043	12672859	01SP13	MX123 HRNS CONN ASSY 66 CKT	C	9	2467	BLUE	AVAILABLE
10	MOLEX	34566-0103	12672860	11JN04	MX123 HRNS CONN ASSY 73 CKT	A	0	1458	BLACK	AVAILABLE
11	MOLEX	34566-0203	12672862	11JN04	MX123 HRNS CONN ASSY 73 CKT	B	0	1468	ST GRAY	AVAILABLE
12	MOLEX	34566-0303	12672864	09AP08	MX123 HRNS CONN ASSY 73 CKT	C	0	2467	BLUE	AVAILABLE
13	MOLEX	34566-0603	12672866	05DC14	MX123 HRNS CONN ASSY 73 CKT	F	0	1357	NATURAL	AVAILABLE
14	MOLEX	34566-1303	12672861	11JN04	MX123 HRNS CONN ASSY 73 CKT	A	9	1458	BLACK	AVAILABLE
15	MOLEX	34566-1403	12672863	11JN04	MX123 HRNS CONN ASSY 73 CKT	B	9	1468	ST GRAY	AVAILABLE
16	MOLEX	34566-1503	12672865	09AP08	MX123 HRNS CONN ASSY 73 CKT	C	9	2467	BLUE	AVAILABLE
17	MOLEX	34566-1803	12672867	05DC14	MX123 HRNS CONN ASSY 73 CKT	F	9	1357	NATURAL	AVAILABLE
18	MOLEX	34566-0703	12672872	09AP08	MX123 HRNS CONN ASSY 80 CKT	G	0	1358	BLUE	AVAILABLE
19	MOLEX	34566-0803	12672870	11JN04	MX123 HRNS CONN ASSY 80 CKT	H	0	2458	ST GRAY	AVAILABLE
20	MOLEX	34566-0903	12672868	T.B.D	MX123 HRNS CONN ASSY 80 CKT	J	0	2457	BLACK	NOT ACTIVE
21	MOLEX	34566-1903	12672873	09AP08	MX123 HRNS CONN ASSY 80 CKT	G	9	1358	BLUE	AVAILABLE
22	MOLEX	34566-2003	12672871	11JN04	MX123 HRNS CONN ASSY 80 CKT	H	9	2458	ST GRAY	AVAILABLE
23	MOLEX	34566-2103	12672869	T.B.D	MX123 HRNS CONN ASSY 80 CKT	J	9	2457	BLACK	NOT ACTIVE
24	MOLEX	34736-0028	12672851	01AU10	MX64 RCPT TERM Ag 0.5mm/0.75mm ISO GAGE B (RIGHT PAYOFF)	N/A	N/A	N/A	N/A	AVAILABLE
25	MOLEX	34736-0026	12672850	01AU10	MX64 RCPT TERM Ag 0.35mm ISO GAGE B (RIGHT PAYOFF)	N/A	N/A	N/A	N/A	AVAILABLE
26	MOLEX	34586-0001	12674820	11JN04	MX123 0.64mm GROMMET PLUG	N/A	N/A	N/A	NATURAL	AVAILABLE
27	YAZAKI	7116-4150-02	12588066	02JN03	2.8mm YESC SEALED FEMALE TERMINAL TIN 0.35mm2-0.50mm2	N/A	N/A	N/A	N/A	NOT ACTIVE
28	YAZAKI	7116-4151-02	12588067	02JN03	2.8mm YESC SEALED FEMALE TERMINAL TIN 0.75mm2-1.0mm2	N/A	N/A	N/A	N/A	NOT ACTIVE
29	YAZAKI	7116-4152-02	12582685	02JN03	2.8mm YESC SEALED FEMALE TERMINAL TIN 1.5mm2-2.5mm2	N/A	N/A	N/A	N/A	AVAILABLE
30	YAZAKI	7158-3111-60	12588068	02JN03	2.8mm CABLE SEAL (wire O.D. range 1.2mm-1.9mm)	N/A	N/A	N/A	GREEN	NOT ACTIVE
31	YAZAKI	7158-3112-70	12588069	02JN03	2.8mm CABLE SEAL (wire O.D. range 1.8mm-2.3mm)	N/A	N/A	N/A	YELLOW	NOT ACTIVE
32	YAZAKI	7158-3113-40	12582686	02JN03	2.8mm CABLE SEAL (wire O.D. range 2.1mm-3.0mm)	N/A	N/A	N/A	WHITE	AVAILABLE
33	YAZAKI	7158-3114-90	12674821	02JN03	2.8mm YESC CAVITY PLUG	N/A	N/A	N/A	BLUE	AVAILABLE
34	MOLEX	63825-8400	N/A	02JN03	MX64 TERM HAND CRIMP TOOL	N/A	N/A	N/A	N/A	AVAILABLE
35	MOLEX	63813-1400	XX019826	02JN03	MX64 TERM SERVICE TOOL	N/A	N/A	N/A	N/A	AVAILABLE
36	MOLEX	63902-5300	N/A	02JN03	MX64 CRIMP APPLICATOR with TOOL KIT 0.5/0.75mm2 PAYOFF DIRECTION D (left payoff) (contact Molex for payoff detail)	N/A	N/A	N/A	N/A	AVAILABLE
37	MOLEX	63902-5370	N/A	02JN03	MX64 APPLICATOR TOOL KIT 0.5/0.75mm2	N/A	N/A	N/A	N/A	AVAILABLE
38	MOLEX	63902-5100	N/A	02JN03	MX64 CRIMP APPLICATOR with TOOL KIT 0.35mm2 PAYOFF DIRECTION D (left payoff) (contact Molex for payoff detail)	N/A	N/A	N/A	N/A	AVAILABLE
39	MOLEX	63902-5170	N/A	02JN03	MX64 APPLICATOR TOOL KIT 0.35mm2	N/A	N/A	N/A	N/A	AVAILABLE
40	SPX	J35616-64	T.B.D.	02JN03	0.64mm PROBE TOOL (for rcpt)	N/A	N/A	N/A	N/A	AVAILABLE
41	SPX	J35616-64A	T.B.D.	02JN03	0.64mm PROBE TOOL WITH EXT (for rcpt)	N/A	N/A	N/A	N/A	AVAILABLE
42	SPX	J35616-65	T.B.D.	02JN03	0.64mm PROBE TOOL WITH EXT (for pin)	N/A	N/A	N/A	N/A	AVAILABLE
43	SPX	J35616-4A	T.B.D.	02JN03	2.8mm PROBE TOOL (for rcpt)	N/A	N/A	N/A	N/A	AVAILABLE
44	YAZAKI	X39899-J374	12094430	02JN03	2.8mm TERM SERVICE TOOL	N/A	N/A	N/A	N/A	AVAILABLE
45	TQI	7000-1006	N/A	15JN15	52 CKT PASS THROUGH ADAPTERS	N/A	N/A	N/A	BLACK	AVAILABLE
46	TQI	7000-1002	N/A	15JN15	66 CKT PASS THROUGH ADAPTERS	N/A	N/A	N/A	BLACK	AVAILABLE
47	TQI	79917-0061	N/A	15JN15	73 CKT PASS THROUGH ADAPTERS	N/A	N/A	N/A	BLACK	AVAILABLE
48	TQI	79917-0066	N/A	15JN15	80 CKT PASS THROUGH ADAPTERS	N/A	N/A	N/A	BLACK	AVAILABLE

* - MX123 DRESS COVER 52/66/73/80 CKT MATES TO ANY MX123 HARN CONN ASSY SHOWN ON TABLE ABOVE



PAGE TITLE
COMPONENT TABLE

DRAWING NUMBER

12672833

DWG STATUS

ST REV PDI

R 001

PAGE NUMBER

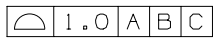
5 OF 22

NOTES: UNLESS OTHERWISE SPECIFIED

1. MATERIAL FOR INTERFACE:


- A. RESIN:
 - 1. 30% G.F. PBT; 20% MAX. (BY WEIGHT) REGRIND.
 - 2. MATING CONNECTOR INTERFACE PART COLOR MUST BE SAME AS MATCHING KEYED HARNESS CONNECTOR ASSEMBLY.
 - 3. MUST BE VALIDATED FOR INDIVIDUAL DEVICE APPLICATION REQUIREMENTS.
- B. 0.64MM PINS:
 - 1. BASE MATERIAL: COPPER ALLOY; CONDUCTIVITY >= 28% IACS AT 20°C; TENSILE STRENGTH >= 635 N/mm²; SURFACE ROUGHNESS R_a 6 MAX.
 - 2. PLATING FINISH: SILVER (Ag). PLATING TO BE 1.9-3.3 μm ELECTRODEPOSITED SEMI-BRIGHT SILVER OVER 1.25-2.25 μm DUCTILE SULPHAMATE NICKEL PER NOTE 1(D).
 - 3. ANTI-TARNISH: SYNTHETIC HYDROCARBON CONTACT SURFACE FINISH OR EQUIVALENT APPLIED WITHOUT VOID TO CONTACT AREA (MIN 3.7mm FROM PIN TIP).
- C. 2.8MM BLADE:
 - 1. BASE MATERIAL: COPPER ALLOY; CONDUCTIVITY >= 28% IACS AT 20°C; TENSILE STRENGTH >= 350 N/mm²; SURFACE ROUGHNESS R_a 6 MAX.
 - 2. PLATING FINISH: TIN. PLATING TO BE 2.5-5.0 μm ELECTRODEPOSITED TIN, MATTE FINISH OVER 1.25-2.5 μm DUCTILE SULPHAMATE NICKEL PER NOTE 1(D).
- D. PLATING REQUIREMENTS:
 - 1. SILVER PLATING
 - a. 99.5% PURE SEMI-BRIGHT WITH NO ORGANIC BRIGHTNERS OR CHROMATES.
 - 2. NICKEL PLATING
 - a. ELECTRODEPOSITED DUCTILE SULFAMATE NICKEL WITH A NON-BRIGHTENED FINISH. NO ORGANIC OR BRIGHTENING AGENTS SHALL BE ALLOWED.
 - b. SHALL ONLY BE USED AS AN UNDERLYING PLATING AND MAY NOT BE USED AS AN ELECTRICAL CONTACT SURFACE PLATING.
 - c. SHALL BE NODULE FREE WHEN VIEWED AT 10X MAGNIFICATION IN MEASURED IN CONTACT SURFACE AREA PLUS 0.5MM PERIMETER AROUND THE CONTACT SURFACE AREA.
 - d. ALL PLATINGS SHALL HAVE A 1.0% MAXIMUM BY WEIGHT IMPURITIES. IMPURITIES ARE DEFINED AS ALL ELEMENTS NOT THE PRIMARY PLATING OR HARDENING AGENT IF APPLICABLE, AS DETERMINED BY WET CHEMICAL ANALYSIS OR AUGER METHOD. NO SINGLE IMPURITY SHALL EXCEED 0.1% MAXIMUM BY WEIGHT.
 - 3. TESTING
 - a. THICKNESS TO BE MEASURED IN CONTACT SURFACE AREA PLUS 0.5MM PERIMETER AROUND THE CONTACT SURFACE AREA AS DESIGNATED IN THE DRAWING. THICKNESS SHALL BE DETERMINED BY METHOD OF X-RAY (XRF).
 - b. PLATING ADHESION SHALL BE TESTED BY A BEND TEST FOR ALL METALS. THE TEST SAMPLE SHALL BE BENT 90 DEGREES TO DETERMINE DEPOSIT ADHESION. TESTING SHALL BE COMPLETED IN ACCORDANCE WITH ASTM SPEC B571.

2. DESIGN - GENERAL:

- A. THIS IS A 100% CAD GENERATED PART. THE CAD MATHEMATICAL DATA IS THE MASTER FOR THIS PART. FOR DIMENSIONAL OR ANY INFORMATION NOT SHOWN ON THIS DRAWING, ANALYZE THE CAD MODEL.
- B. TOLERANCES:
 - 1. LINEAR
 - 0.X ± 0.30
 - 0.XX ± 0.10
 - 0.XXX ± 0.10
 - 2. ANGULAR X° ± 3°
 - 3. 
- C. MINIMUM WALL THICKNESS REQUIRED: 1.3mm.
- D. CORNERS SHOWN AS SHARP TO BE R 0.2 MAX.
- E. LETTERING SHALL BE 0.15 MAX RAISED IN 0.20 MAX RECESS PAD. THIS INCLUDES MATERIAL CODE, RECYCLING CODE, CAVITY ID AND DATE CODE.
- F-1. PARTS MUST BE FREE OF DISCOLORATION, SALT RESIDUE AND OTHER IMPERFECTIONS THAT AFFECT FIT OR FUNCTION.
- F-2. SCRATCHES OR DENTS NOT TO EXCEED 0.013mm IN DEPTH.
- G. FOLLOWING PRODUCTION CODES TO BE PERMANENTLY MARKED & HUMAN READABLE TO A LETTER HEIGHT OF 1.5 ± 0.5MM X 0.3 MAX DEEP
 - 1. MATERIAL #: XXXXX-XXXX
 - 2. DATE CODE: JJJY (JULIAN DAY, LAST DIGIT OF YEAR)
 - 3. INSPECTION MACHINE CODE + SERIAL #: X_XXXXX

3. DESIGN - MANUFACTURING:

- A. DRAFT TO BE WITHIN TOLERANCE.
- B. ALLOWABLE FLASH MAX 0.2 HIGH X MAX 0.13 THICK.
- C. ALLOWABLE PARTING LINE MISMATCH 0.2 MAX.
- D. EJECTOR PINS MARK TO BE FLUSH TO 0.25 MAX DEPRESSED.
- E. ALLOWABLE GATE VESTIGE FLUSH TO 0.25 MAX PROTRUSION.
- F. NO EXTERNAL MOLD RELEASE AGENT ALLOWED DURING MANUFACTURING.
- G. STEEL THAT FORMS THE INDICATED SURFACE MUST BE POLISHED WITH A DIAMOND FINISH (SPI A-2) OVER THE FULL PERIPHERY OF THE TOOL. SURFACE MUST HAVE NO MISMATCH.
- H. ANY PROCESS LUBRICANT REMAINING ON THE TERMINAL MUST NOT VARNISH OR DEGRADE IT'S ELECTRICAL PERFORMANCE UP TO A MAXIMUM CLASS AMBIENT TEMPERATURE PER SAE USCAR-2 FOR 1008 HOURS. PROCESS LUBRICANTS SHOULD BE APPROVED BY THE RESPONSIBLE ENGINEER.
- J. OPTIONAL FEATURES PROVIDED FOR AUTOMATION.
- K. PART MUST BE FREE FROM BURRS AND SHARP EDGES, WHICH MIGHT BE DETRIMENTAL TO SATISFACTORY ASSEMBLY, SAFE HANDLING OR FUNCTION OF PART.
- L. PARTS AS DELIVERED TO ASSEMBLY SHALL BE CLEAN AND FREE OF DEBRIS, RESIDUAL ABRASIVE MATERIAL AND CORROSION PRODUCTS ADVERESLY AFFECTING FUNCTION OR APPEARANCE.
- M. RESTRICTED AND REPORTABLE SUBSTANCES FOR PARTS PER GMW3059.

	PAGE TITLE	DRAWING NUMBER	DWG STATUS			PAGE NUMBER	
	NOTES		12672833	ST	REV	PDI	6 OF 22
				R	001		

NOTES: UNLESS OTHERWISE SPECIFIED

4. SYSTEM REQUIREMENTS:

- A. HARNESS CONNECTOR IS COMPATIBLE WITH THE FOLLOWING ISO WIRE SIZE NO'S:
 0.35mm², MEETING GMW15626 - MIN OD OF 1.30MM
 0.50mm², MEETING GMW15626
 0.75mm², MEETING GMW15626 - MAX OD OF 2.06MM

B. CABLE TIE SPECIFICATIONS:

1. CABLE TIE:
 - TENSILE RATING: 220N / (50lbs) MIN
 - TIE LENGTH: 186mm MIN
 - TIE WIDTH: 4.75mm MAX
 - MATERIAL: NYLON
2. INSTALLATION:
 - CABLE TIE TENSION: 190N MIN
3. DRESSED WIRE BUNDLE PACKAGING: SEE FIG. 1

C. WHEN MATED WITH COMPONENT CONNECTOR INTERFACE AND/OR DRESS COVER, HARNESS CONNECTOR SYSTEM CONFORMS TO THE FOLLOWING:

1. SAE/USCAR-2, REV: 3 APRIL, 2001; CLASS 3
2. FIELD CORRELATED LIFE TEST, SAE/USCAR-20, NOV. 2001
3. GMW #3191 AUGUST 22, 2000 (DRAFT); TEMPERATURE CLASS 3, SEALING CLASS 1, VIBRATION CLASS 2
4. RESTRICTED AND REPORTABLE CHEMICALS PER GMW #3059, REV: D AUGUST 2002
5. TPA USER FORCES (FULLY POPULATED WITH TERMINALS)
 - a. REMOVAL FROM LOCK TO PRE-SET: <=120N

D. WIRE SPECIFICATIONS:

1. WIRE SURFACE MUST BE FREE OF SCRATCHES, GROOVES OR DENTS WHERE FUNCTIONAL

5. TERMINAL CURRENT RATINGS:

A. MX64 RCPT TERM

ALL TESTING DONE IN ACCORDANCE WITH USCAR-2 REV5 SECTION 5.3

1. MX64 RCPT TERM Ag 0.50/0.75mm² CRIMPED TO 0.75mm² ISO WIRE AND MATED TO MX123 0.64MM PIN: SEE TABLE BELOW
2. MX64 RCPT TERM Ag 0.35mm² CRIMPED TO 0.35mm² ISO WIRE AND MATED TO MX123 0.64MM PIN: SEE TABLE BELOW

WIRE	CURRENT RATING			
	23°C	85°C	105°C	125°C
0.75mm ²	11.3A	11.3A	9.5A	6.6A
0.50mm ²	10.0A	10.0A	8.3A	5.7A
0.35mm ²	8.5A	8.5A	7.1A	5.0A

B. 2.8MM RCPT TERM

ALL TESTING DONE IN ACCORDANCE WITH MOLEX DVP&R 0279 (TR # 7125)

1. 2.8MM RCPT TERM TIN 2.0mm² CRIMPED TO 2.0mm² ISO WIRE AND MATED TO MX123 2.8MM BLADE: 25.6 AMPS AT 125°C

6. CONTACT MOLEX AUTOMOTIVE FOR AVAILABLE CUSTOM PATTERNS OF CAVITIES OPEN FOR CIRCUITS - SEE GM DRAWING 13507496



PAGE TITLE
NOTES

DRAWING NUMBER

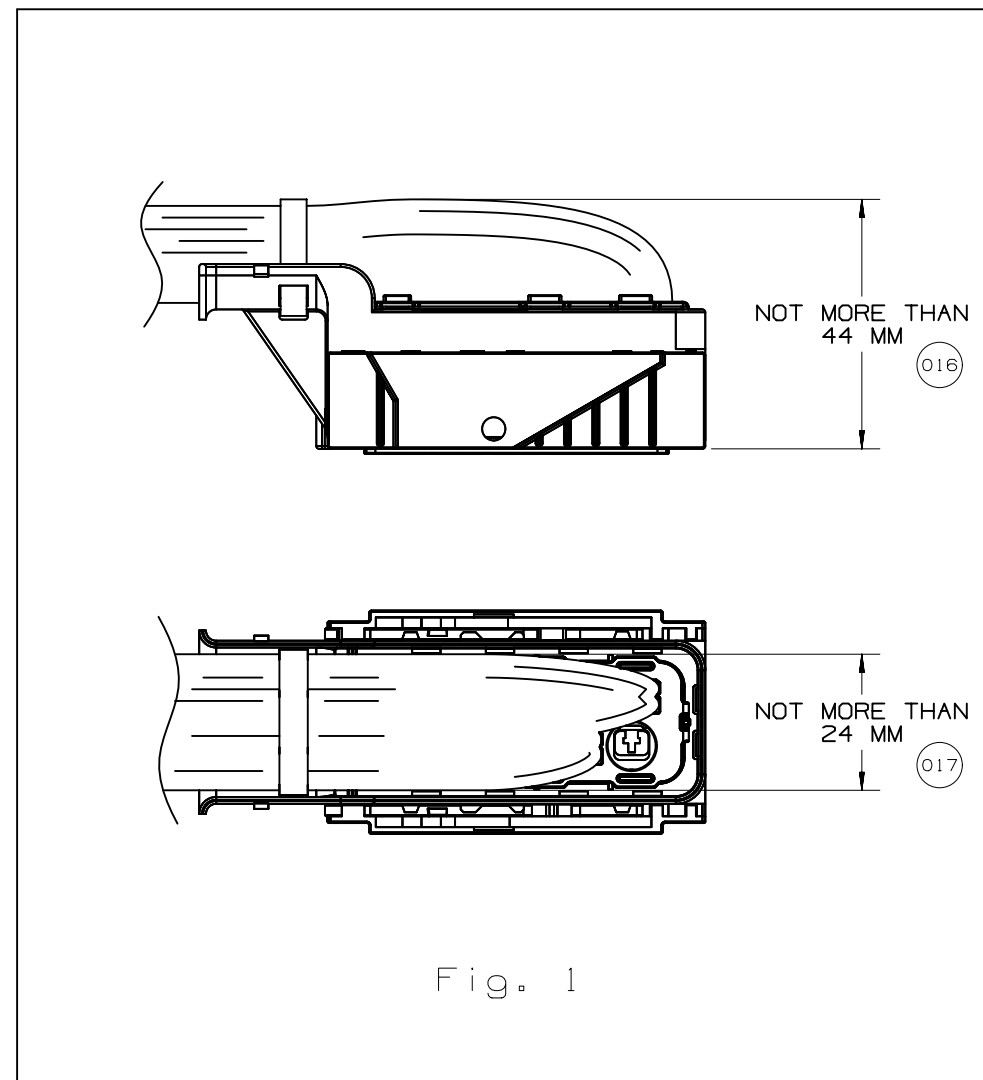
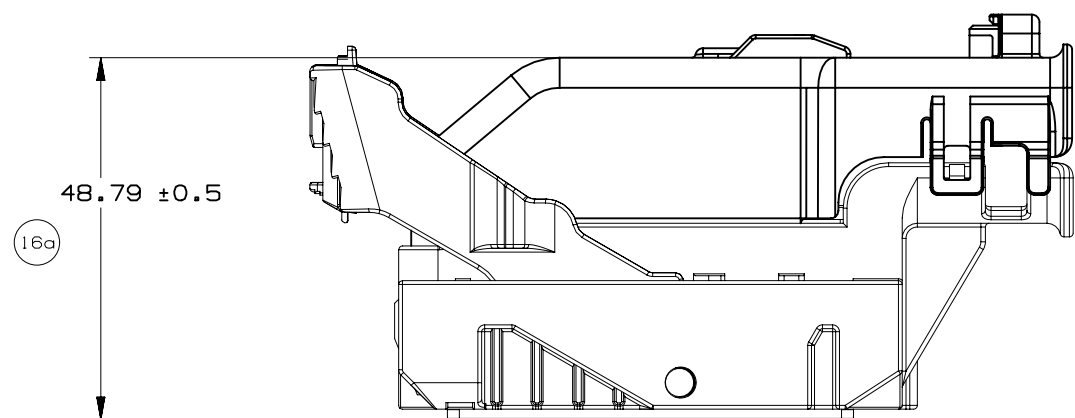
12672833

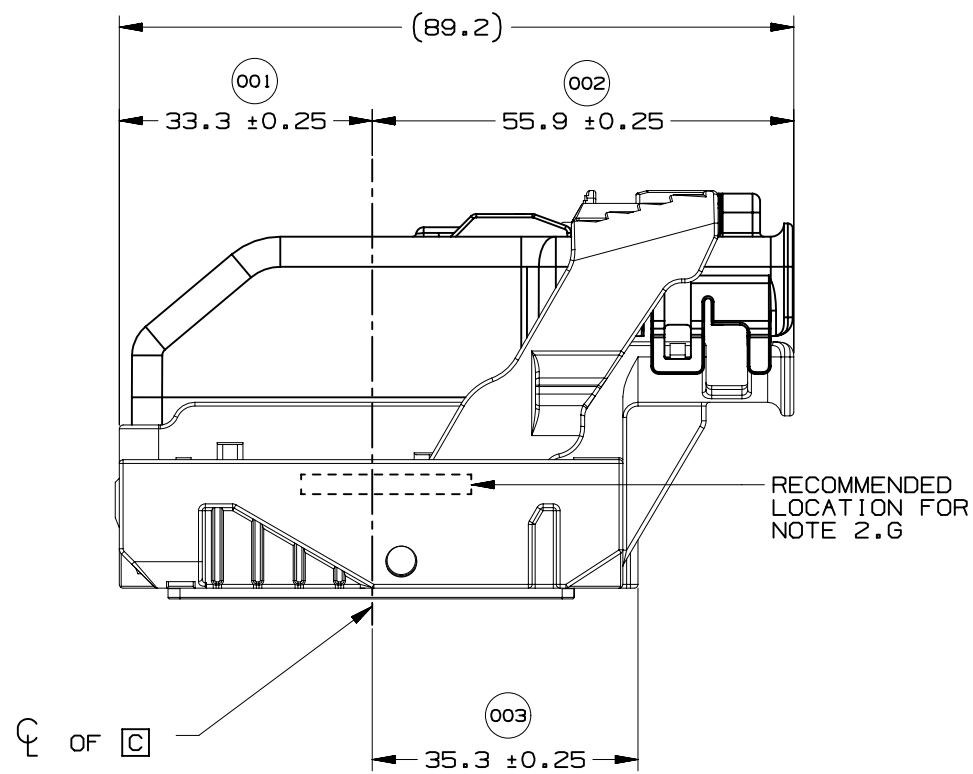
DWG STATUS

ST	REV	PDI
R	001	

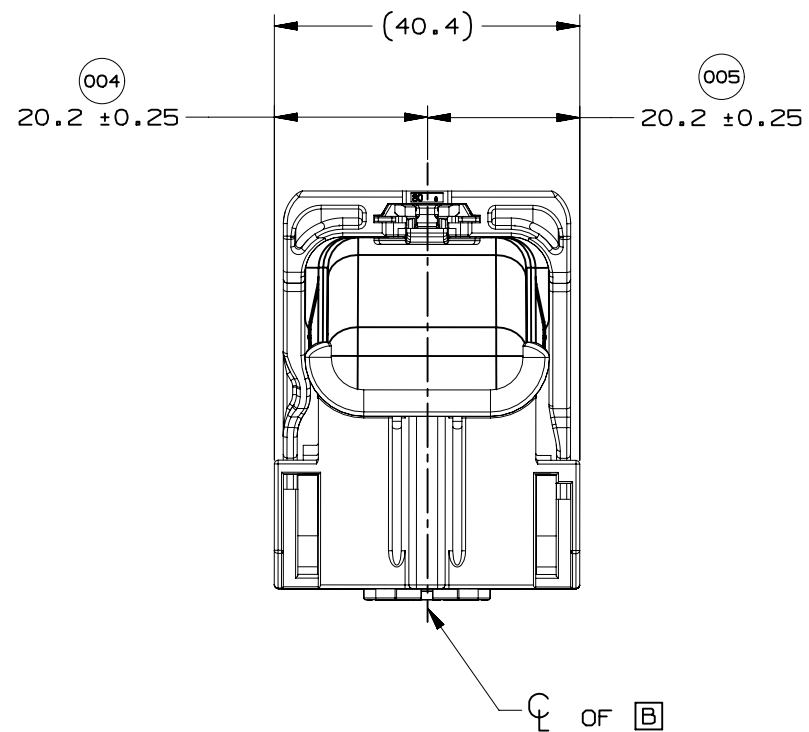
PAGE NUMBER

7 OF 22

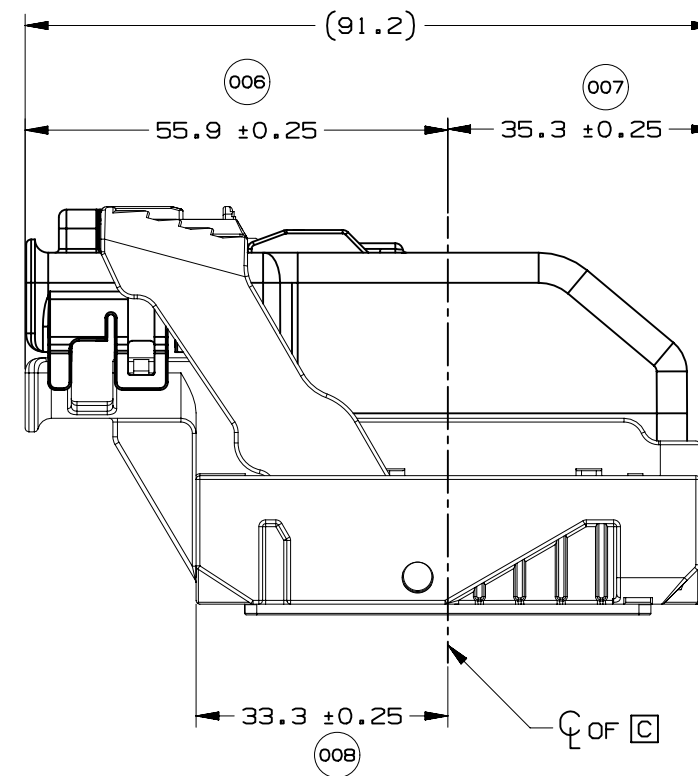




WIRE DRESS OPTION 0 SHOWN



WIRE DRESS OPTION 0 SHOWN



WIRE DRESS OPTION 9 SHOWN

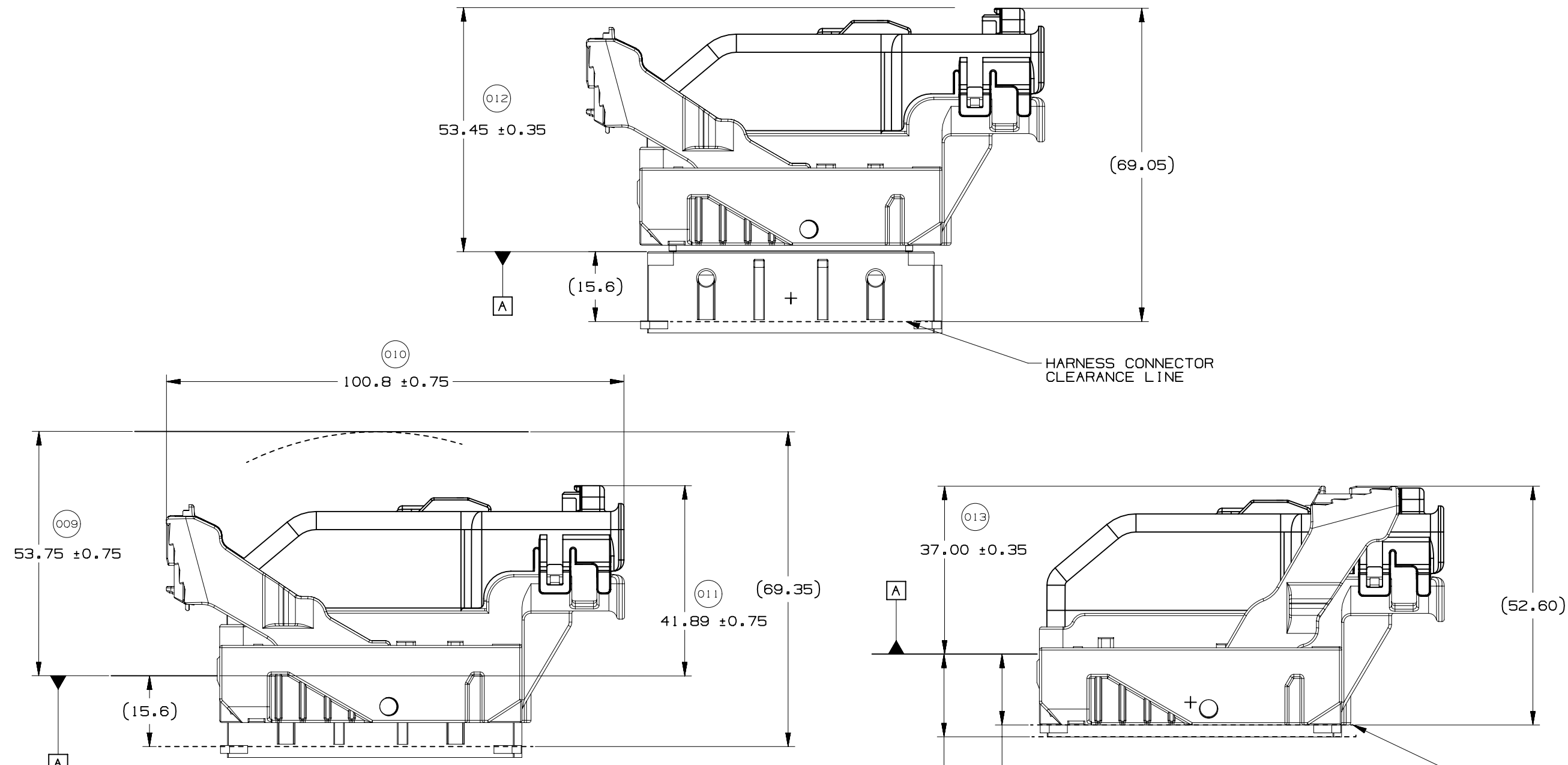


PAGE TITLE
 LOCATION AND PACKAGING DIMENSIONS
 REFERENCING INTERFACE DATUMS B & C

DRAWING NUMBER
 12672833

DWG STATUS		
ST	REV	PD1
R	001	

PAGE NUMBER
 9 OF 22



HARNESS CONNECTOR CLEARANCE LINE

HARNESS CONNECTOR ASSEMBLY IN FULLY-MATED POSITION

HARNESS CONNECTOR CLEARANCE LINE

15.6 MIN. ALL AROUND CLEARANCE REQUIRED FOR HARNESS CONNECTOR (014)

17.9 MIN. AT PAD LOCATION CLEARANCE REQUIRED FOR HARNESS CONNECTOR CONSTRUCTION BELOW THIS PLANE IS NOT CONTROLLED (015)

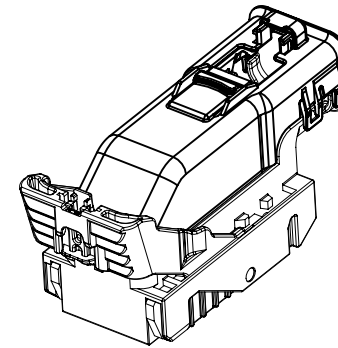
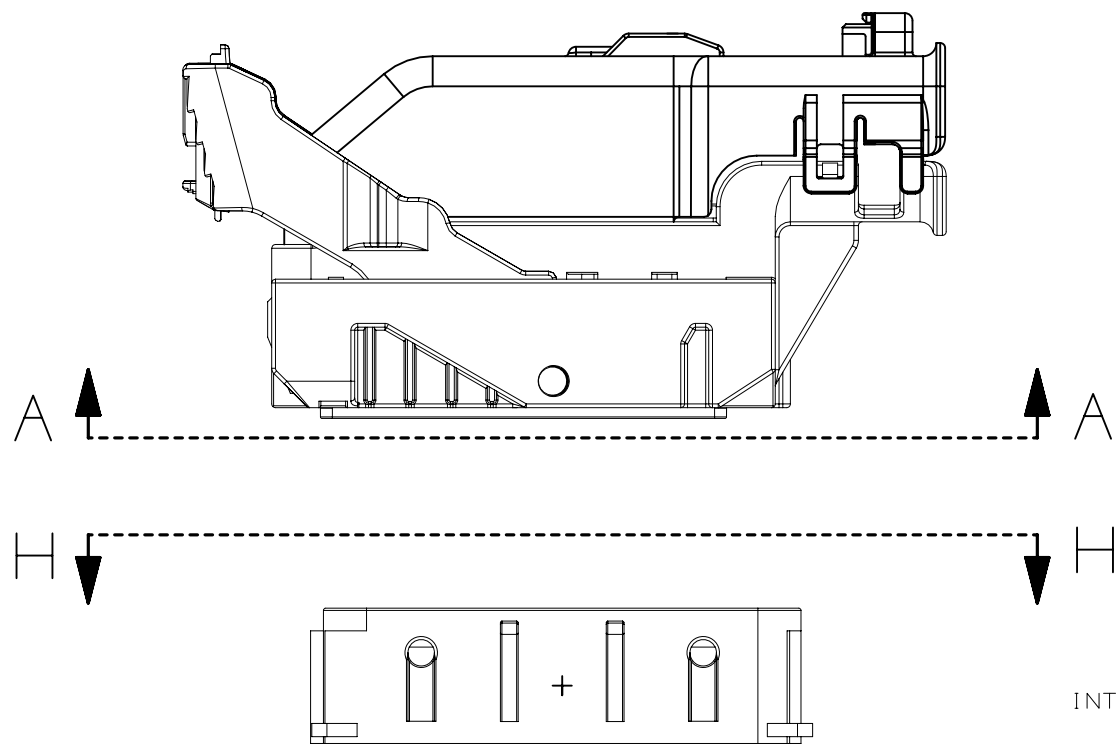


PAGE TITLE
 LOCATION AND PACKAGING DIMENSIONS
 REFERENCING INTERFACE DATUM A

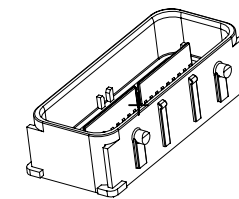
DRAWING NUMBER
 12672833

DWG STATUS		
ST	REV	PD1
R	001	

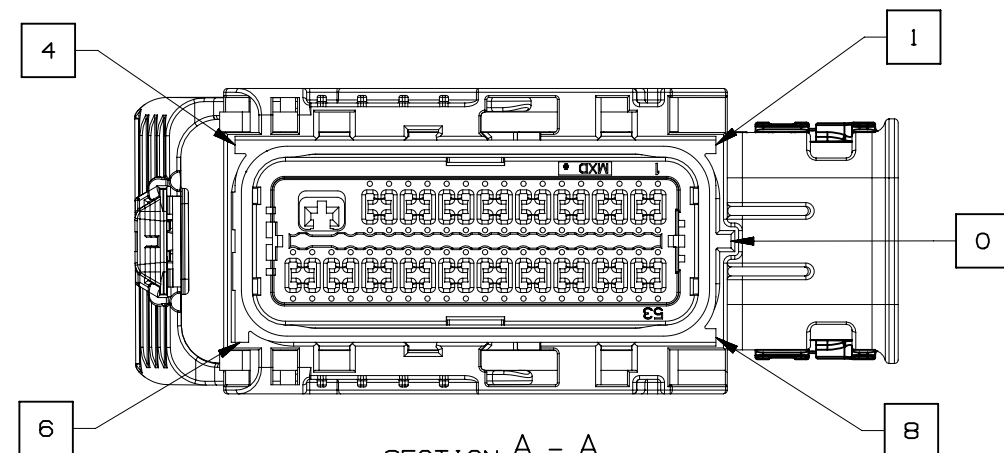
PAGE NUMBER
 10 OF 22



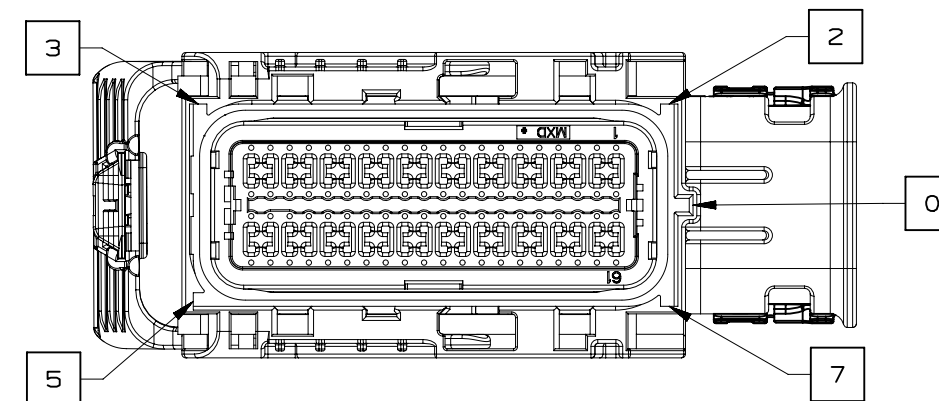
NOTE: REFERENCE THE COMPONENT TABLE FOR KEY OPTIONS AND CONFIGURATIONS



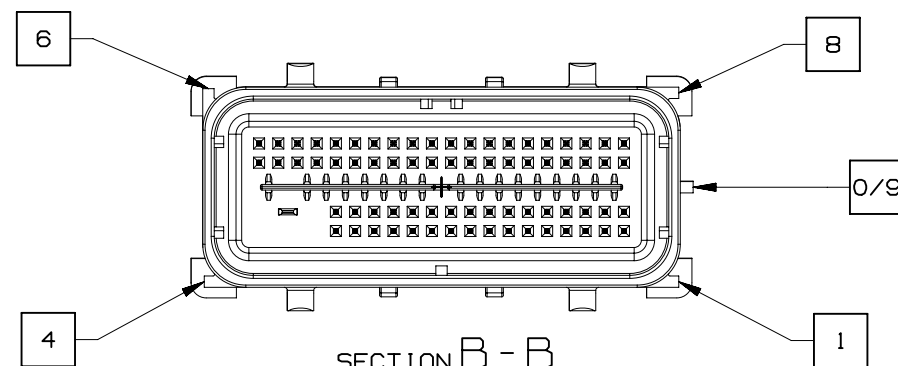
INTERFACE SIDE SHOWN ON ALL SECTION VIEWS



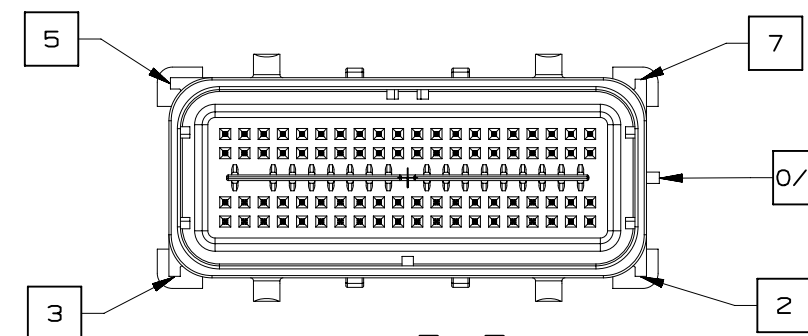
SECTION A - A
73 CKT HARNESS CONNECTOR ASSEMBLY
KEY OPTION B SHOWN



SECTION A - A
80 CKT HARNESS CONNECTOR ASSEMBLY
KEY OPTION K SHOWN



SECTION B - B
73 CKT HARNESS CONNECTOR ASSEMBLY
KEY OPTION B SHOWN



SECTION B - B
80 CKT HARNESS CONNECTOR ASSEMBLY
KEY OPTION K SHOWN

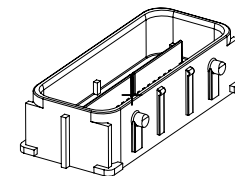
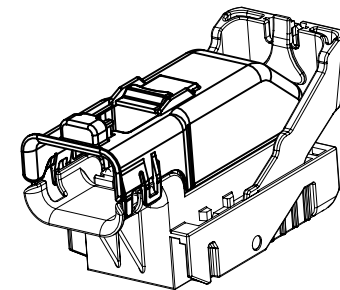
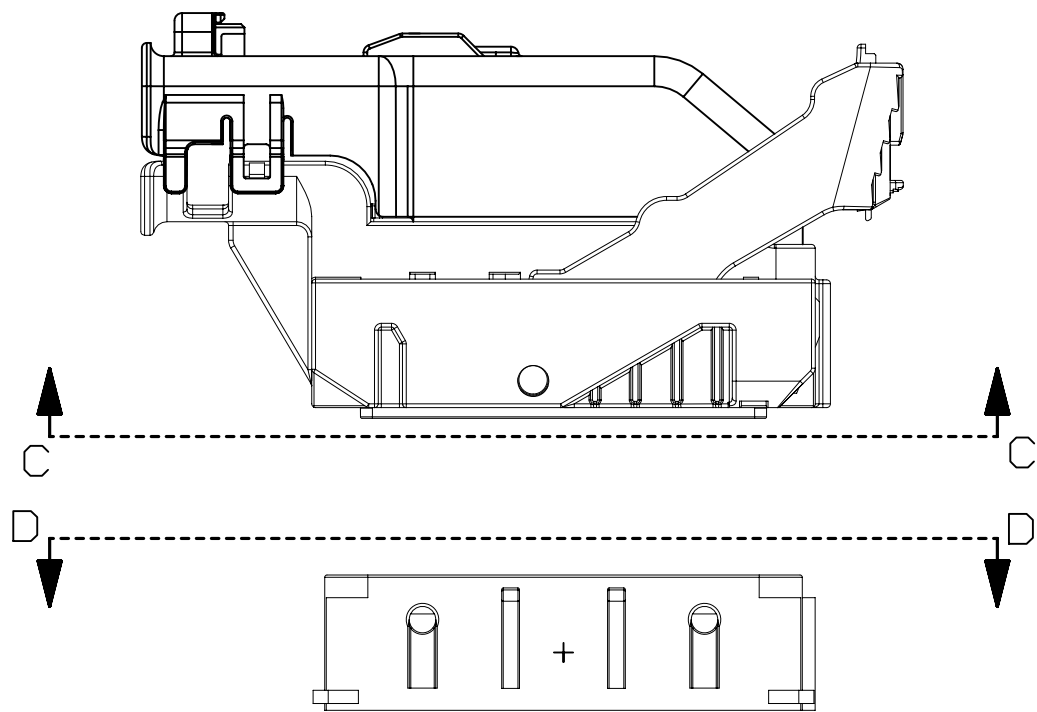


PAGE TITLE
KEY ID REF - WIRE DRESS OPTION 0

DRAWING NUMBER
12672833

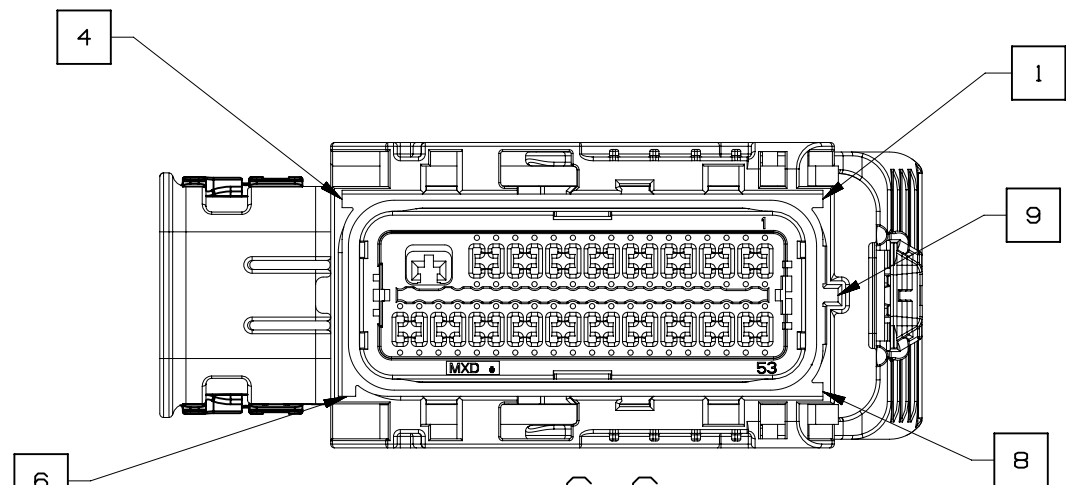
DWG STATUS		
ST	REV	PD1
R	001	

PAGE NUMBER
11 OF 22

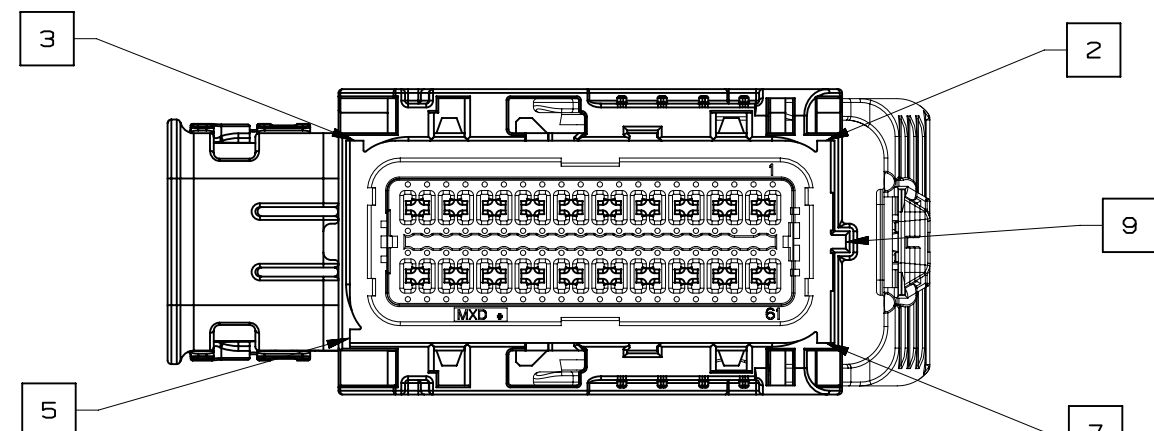


NOTE: REFERENCE THE COMPONENT TABLE FOR KEY OPTIONS AND CONFIGURATIONS

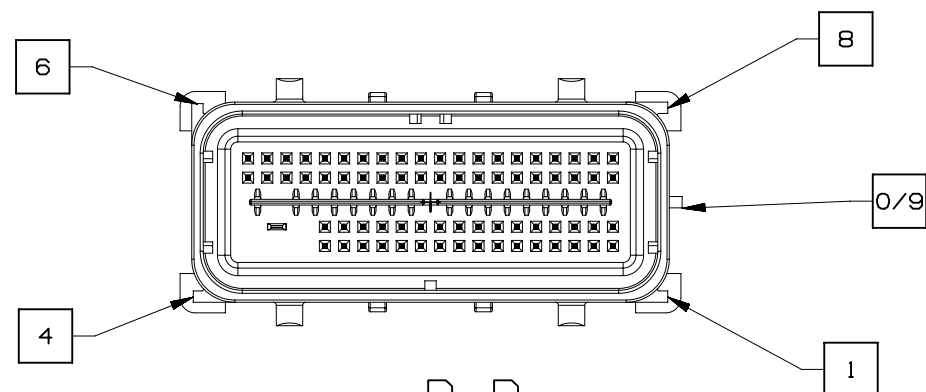
INTERFACE SIDE SHOWN ON ALL SECTION VIEWS



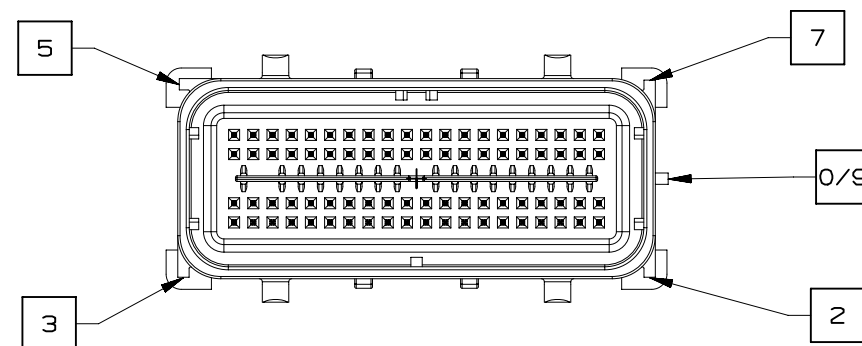
SECTION C-C
73 CKT HARNESS CONNECTOR ASSEMBLY
KEY OPTION B SHOWN



SECTION C-C
80 CKT HARNESS CONNECTOR ASSEMBLY
KEY OPTION K SHOWN



SECTION D-D
73 CKT HARNESS CONNECTOR ASSEMBLY
KEY OPTION B SHOWN



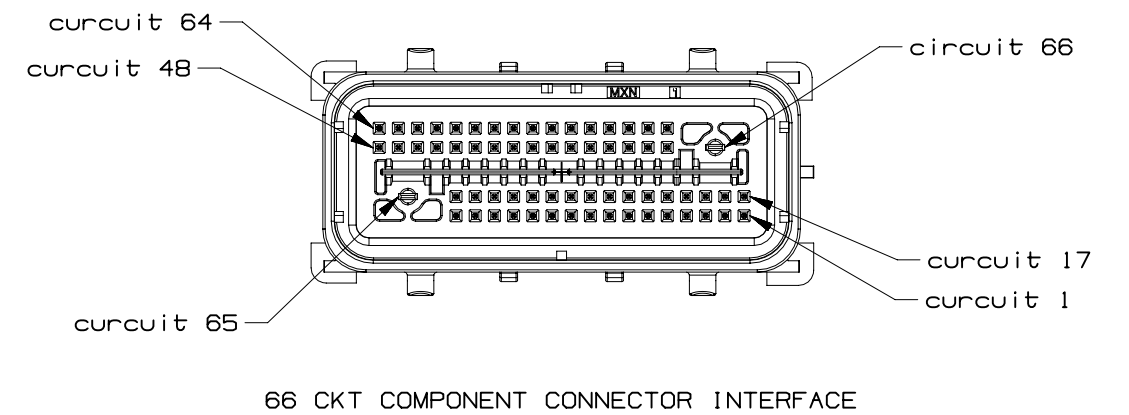
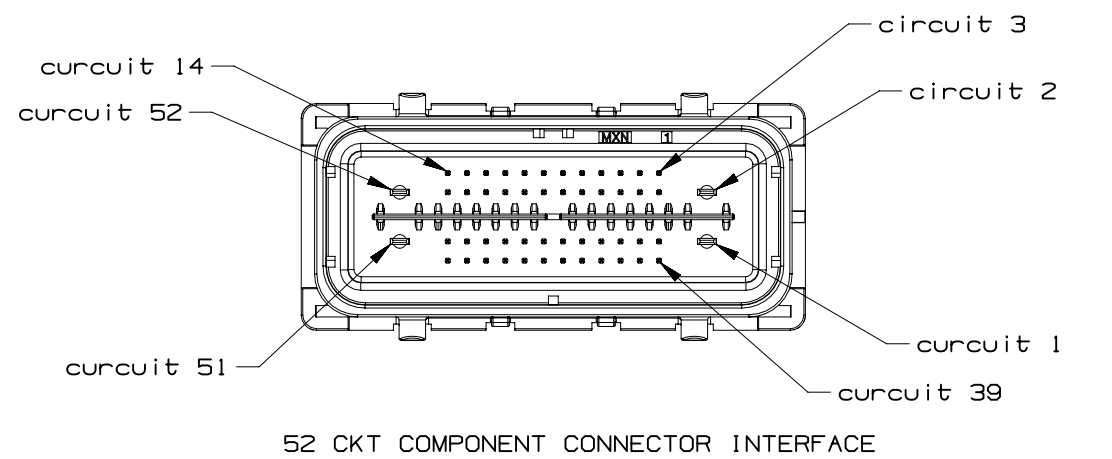
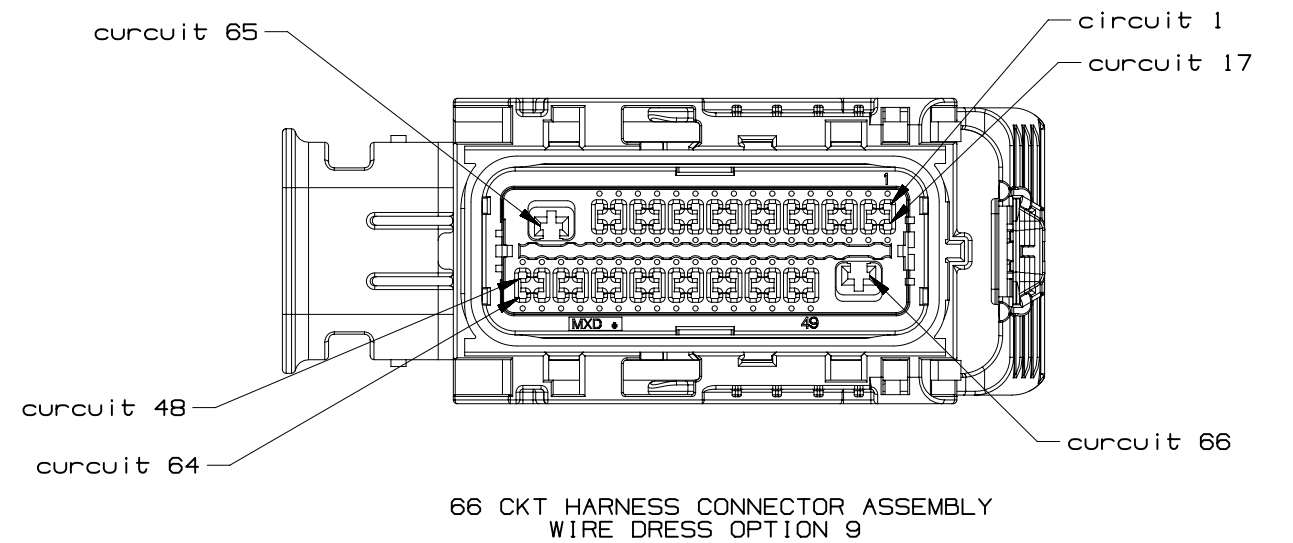
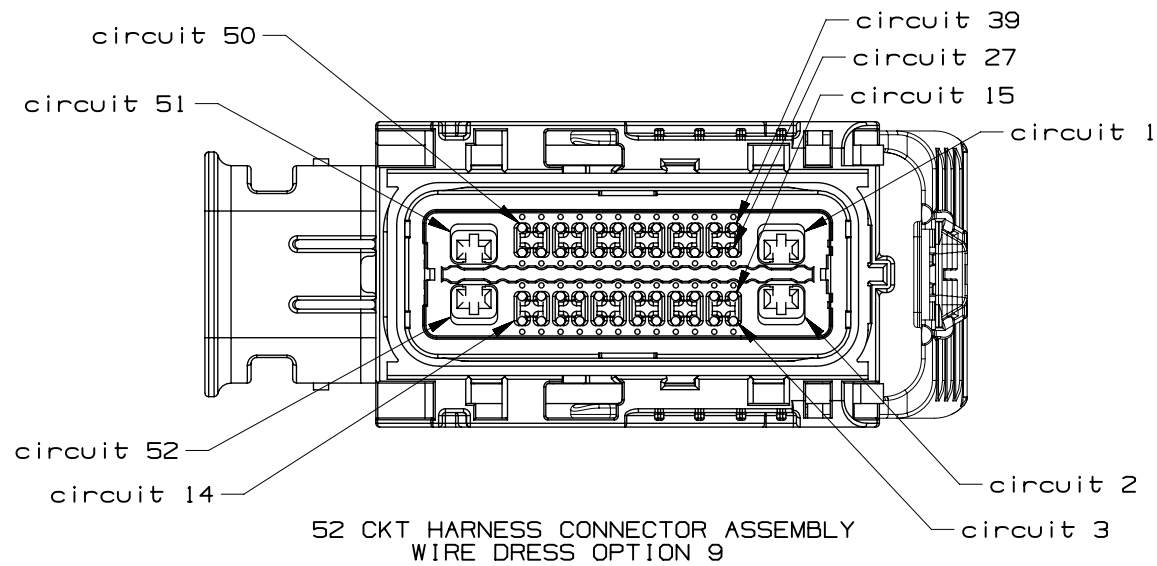
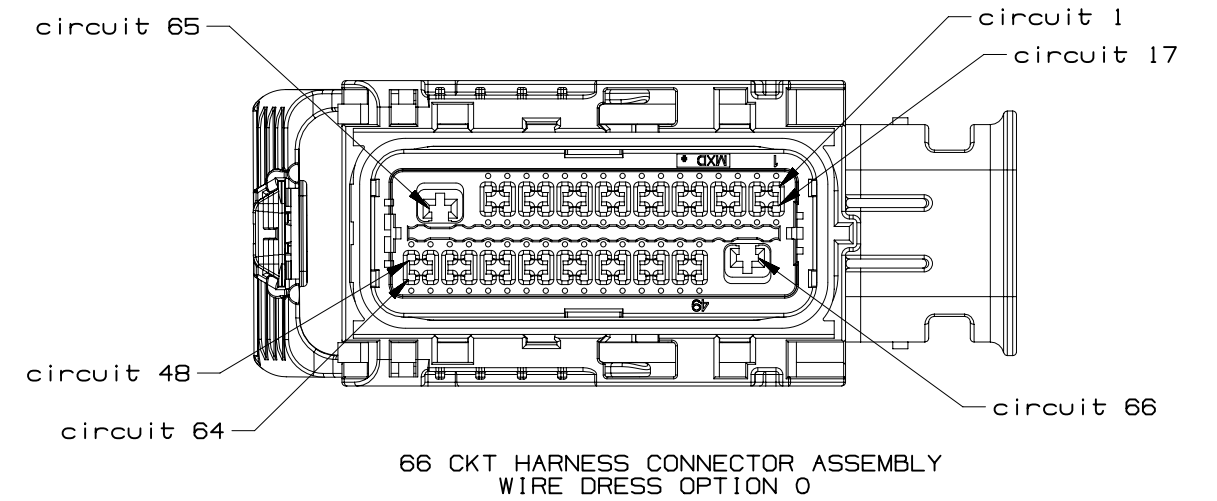
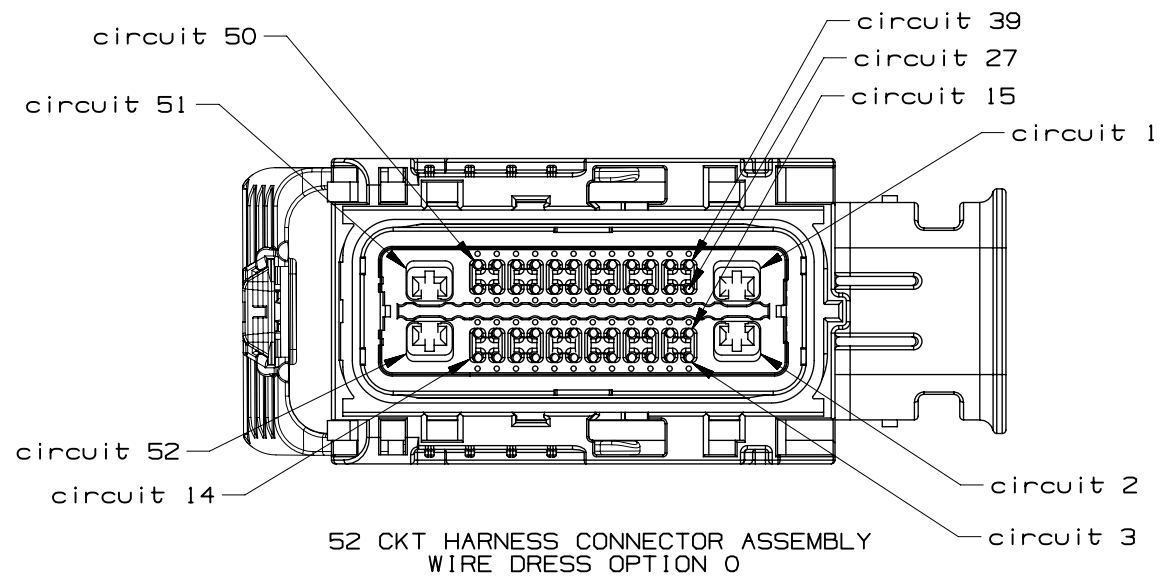
SECTION D-D
80 CKT HARNESS CONNECTOR ASSEMBLY
KEY OPTION K SHOWN

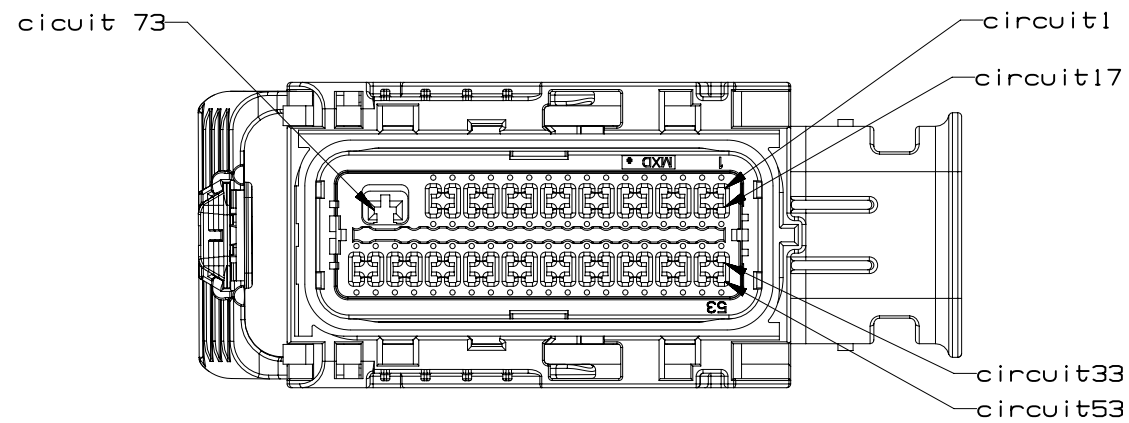


PAGE TITLE
KEY ID REF - WIRE DRESS OPTION 9

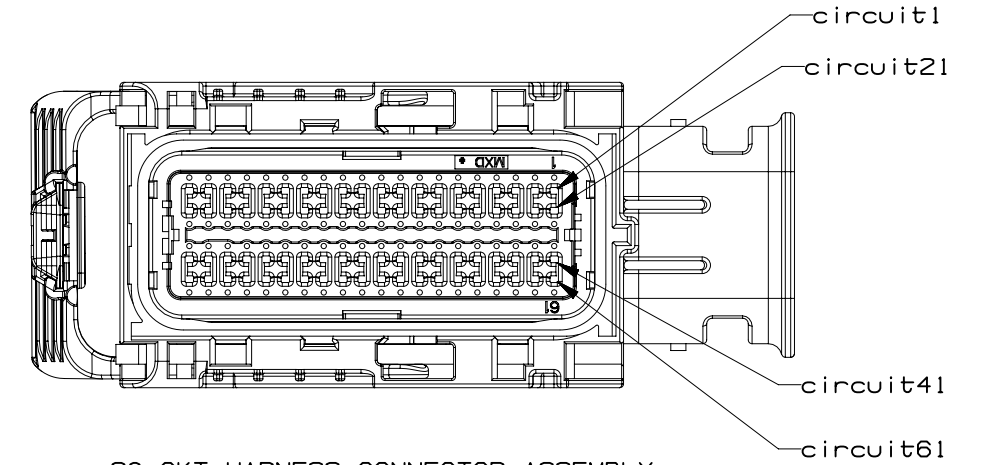
DRAWING NUMBER
12672833

DWG STATUS			PAGE NUMBER
ST	REV	PD1	
R	001		12 OF 22



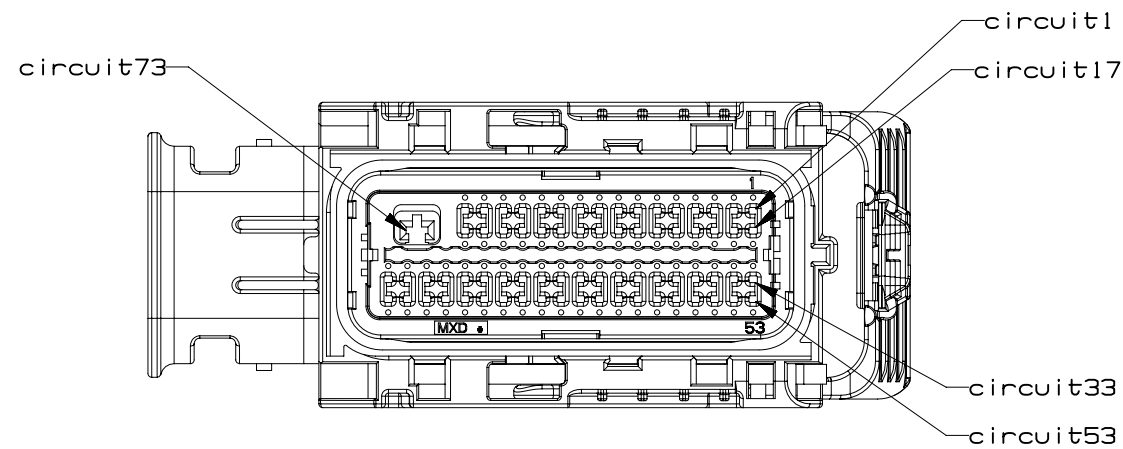


73 CKT HARNESS CONNECTOR ASSEMBLY
WIRE DRESS OPTION 0

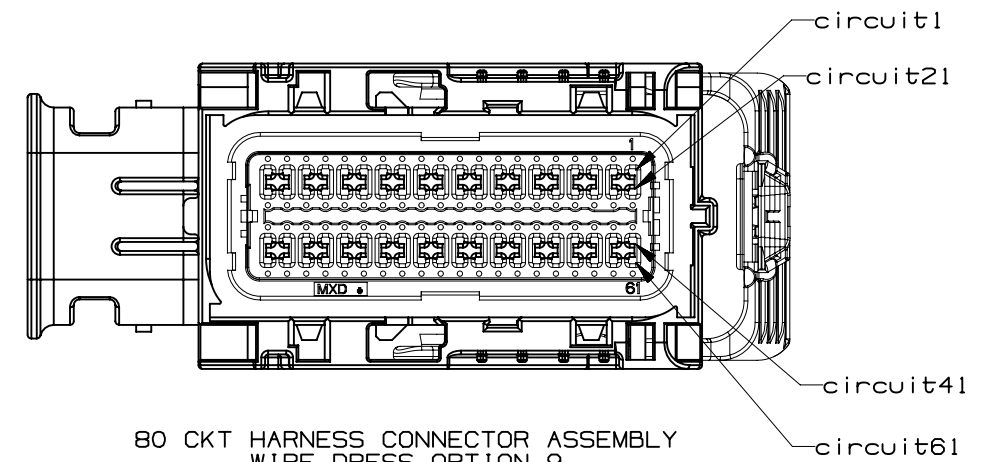


80 CKT HARNESS CONNECTOR ASSEMBLY
WIRE DRESS OPTION 0

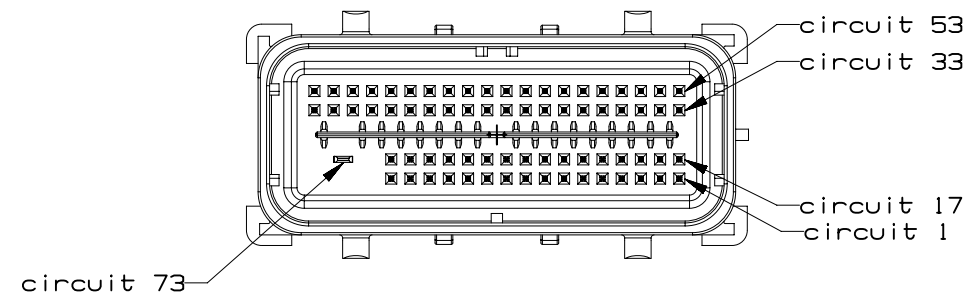
INTERFACE SIDE SHOWN ON ALL VIEWS



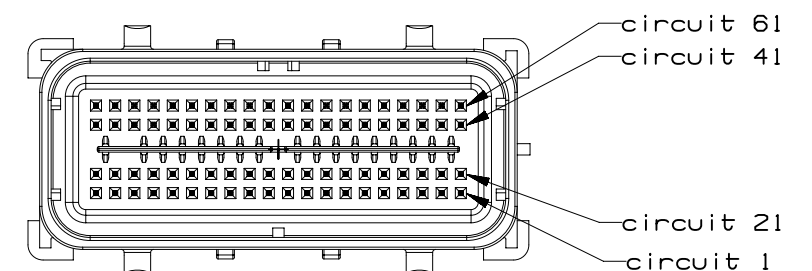
73 CKT HARNESS CONNECTOR ASSEMBLY
WIRE DRESS OPTION 9



80 CKT HARNESS CONNECTOR ASSEMBLY
WIRE DRESS OPTION 9

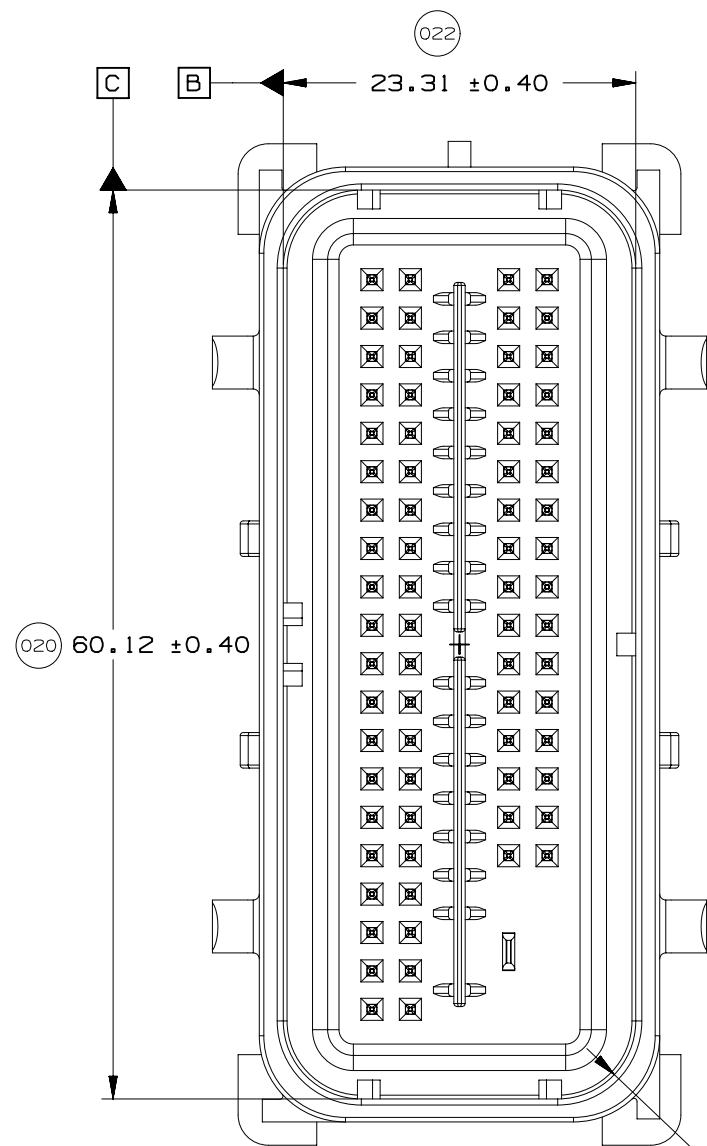
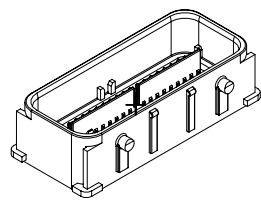


73 CKT COMPONENT CONNECTOR INTERFACE

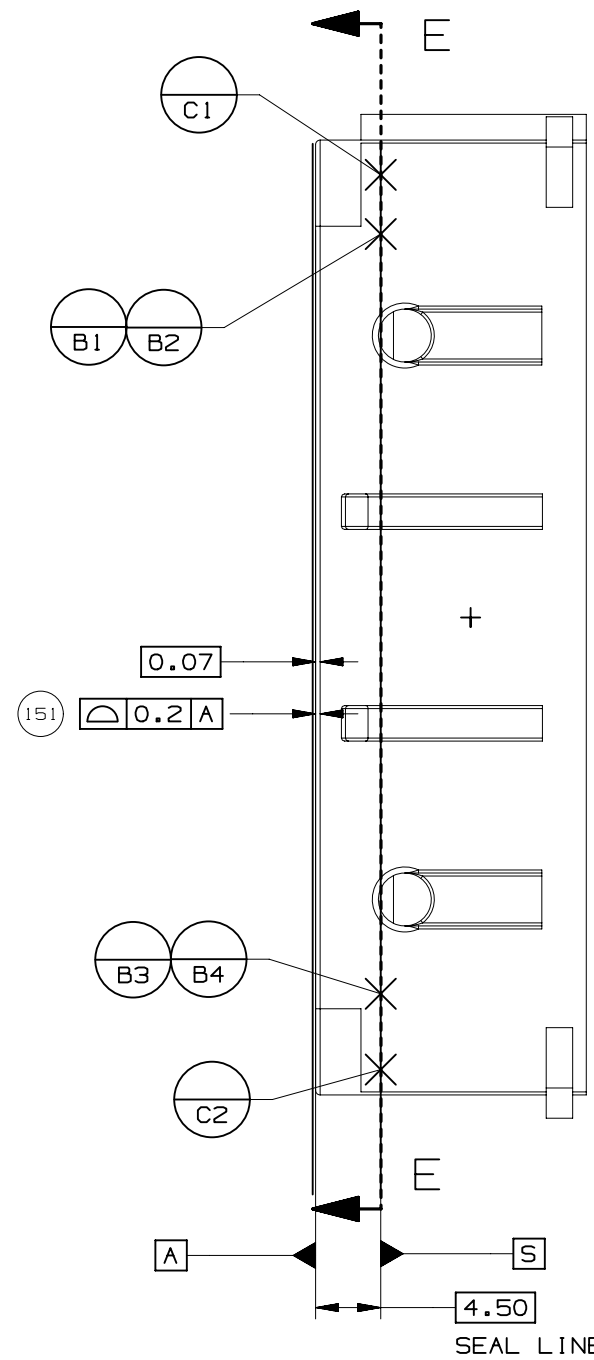


80 CKT COMPONENT CONNECTOR INTERFACE

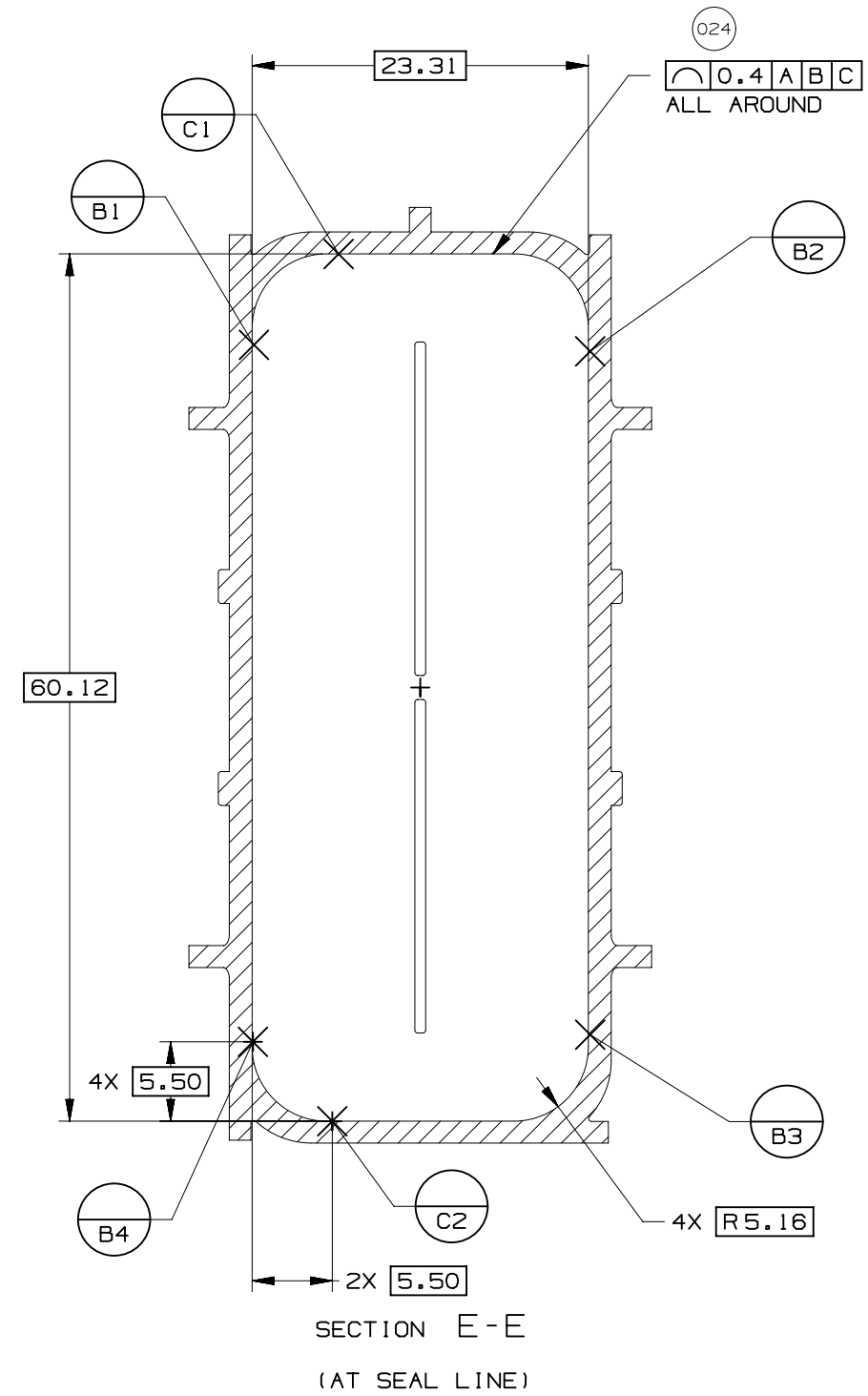




023 4X R5.16 ± 0.30



SEAL LINE



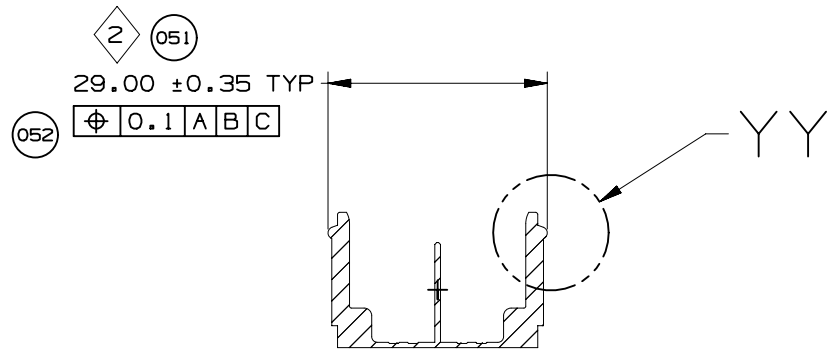
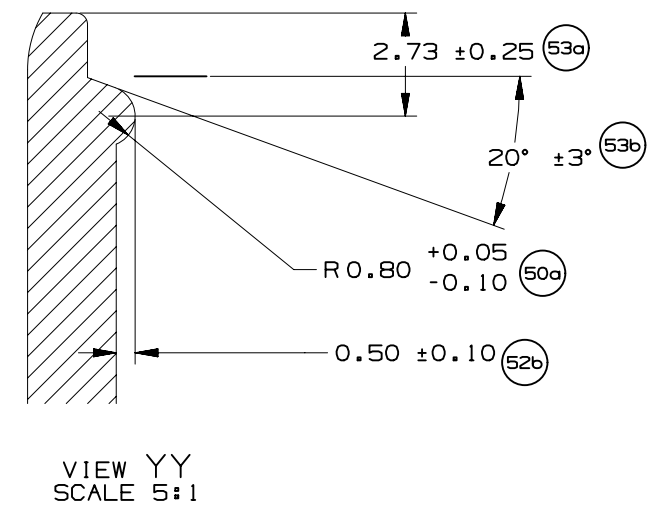
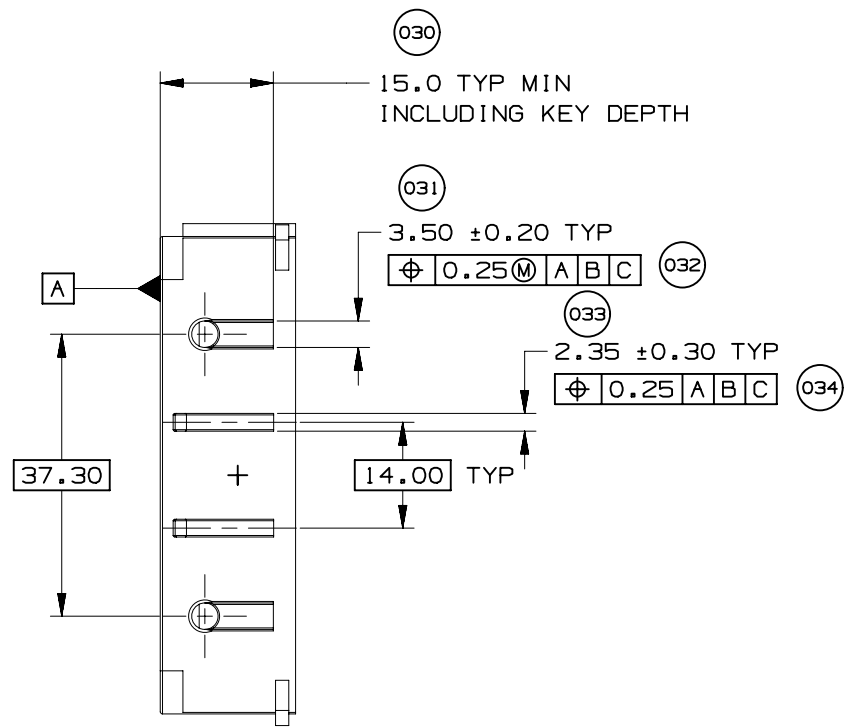
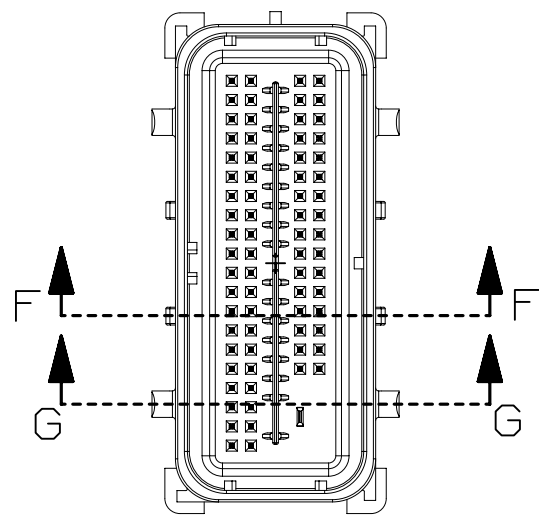
UNLESS SPECIFIED, TOLERANCE OF THE COMPONENT CONNECTOR INTERFACE TO BE $\sqrt{0.13 A B C}$



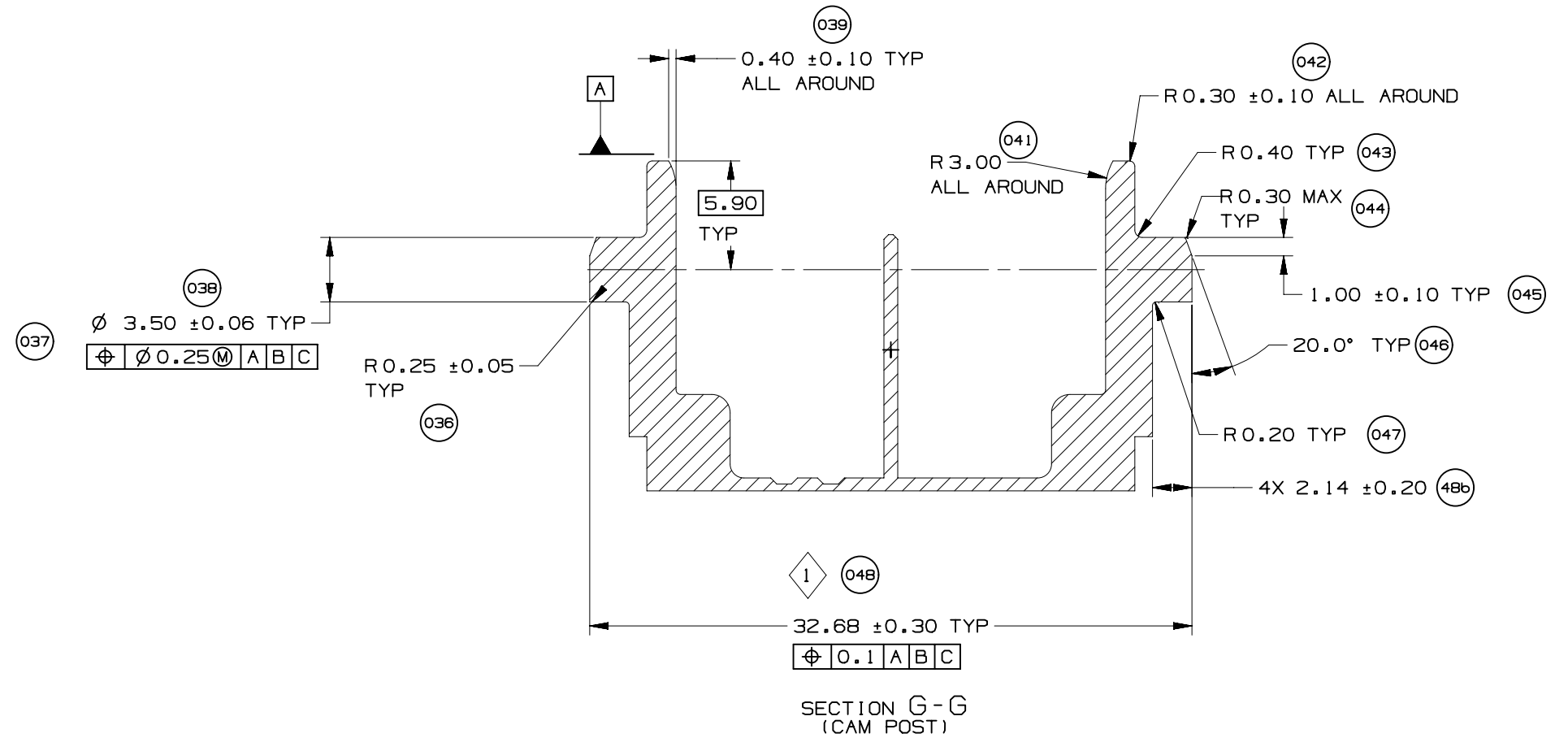
PAGE TITLE
COMPONENT CONNECTOR INTERFACE

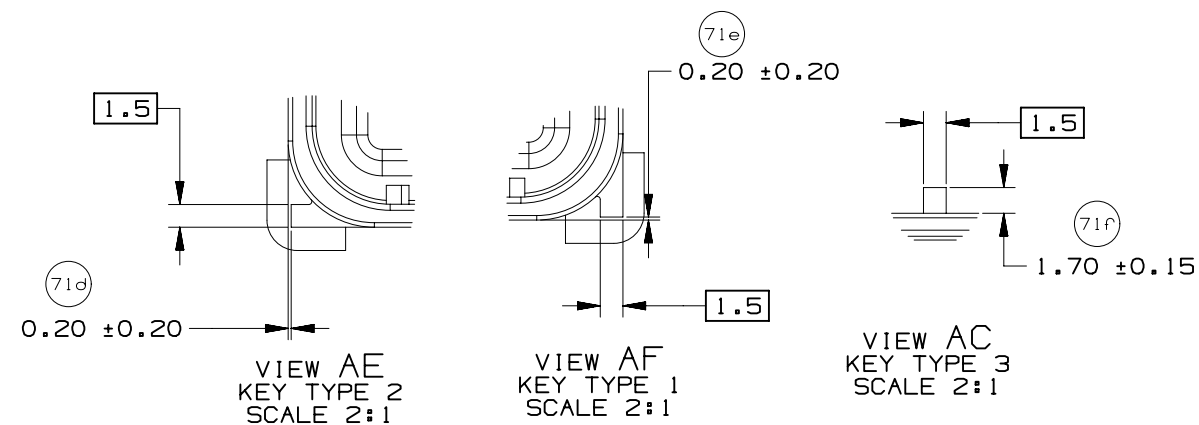
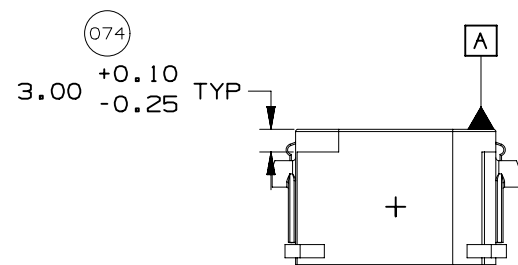
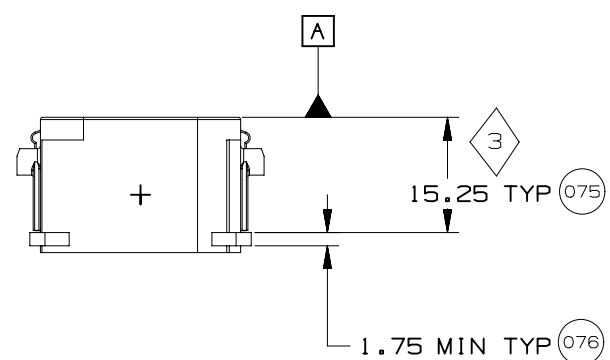
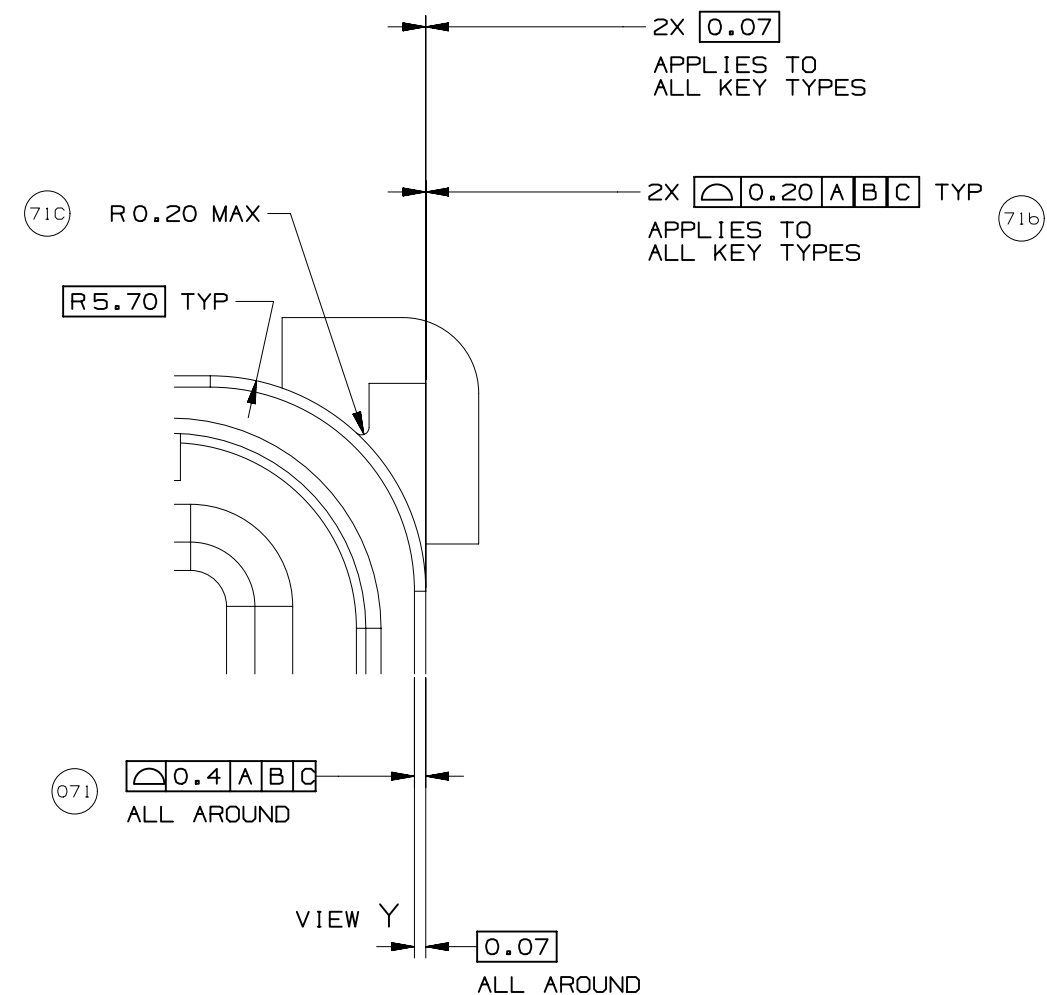
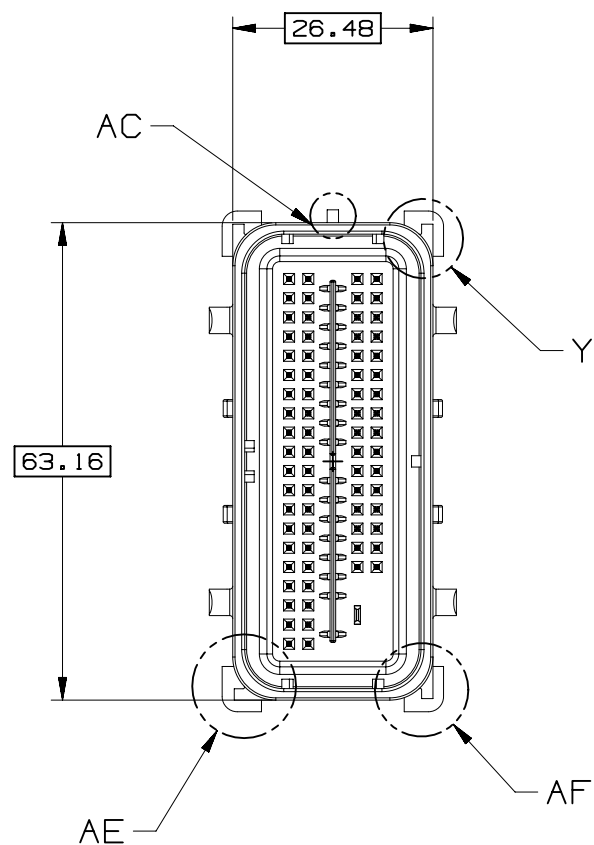
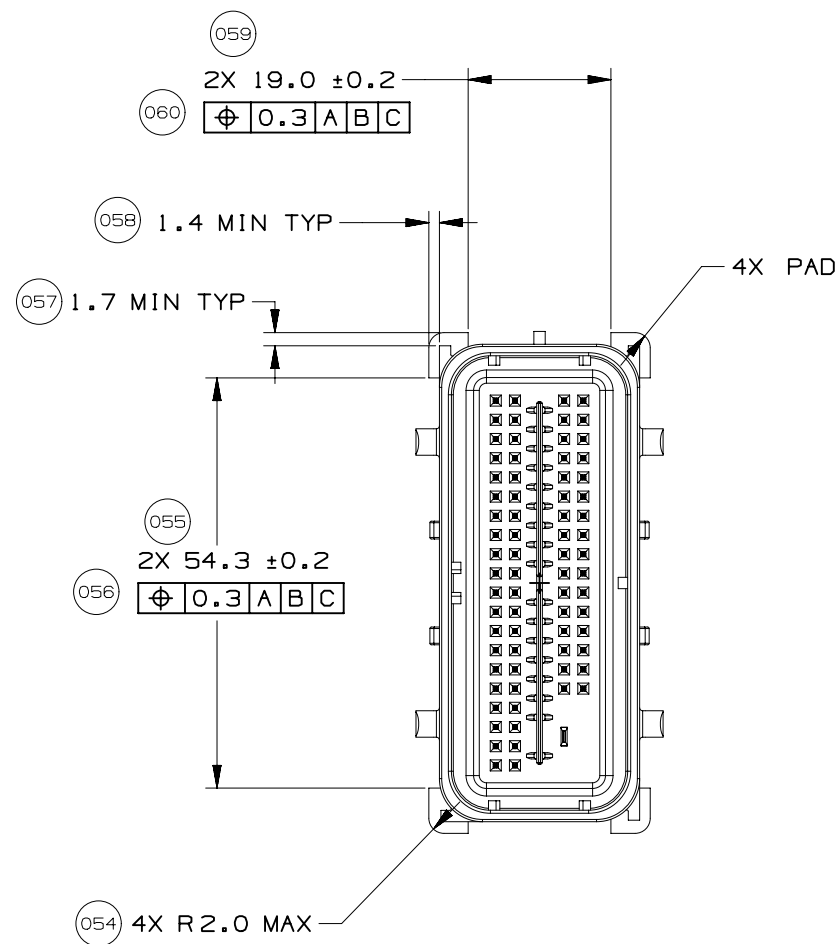
DRAWING NUMBER
12672833

DWG STATUS			PAGE NUMBER
ST	REV	PD1	
R	001		15 OF 22



SECTION F-F
(RELEASE FEATURE)

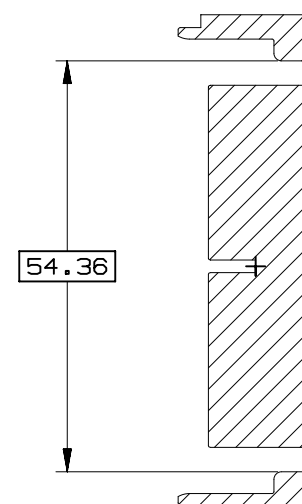
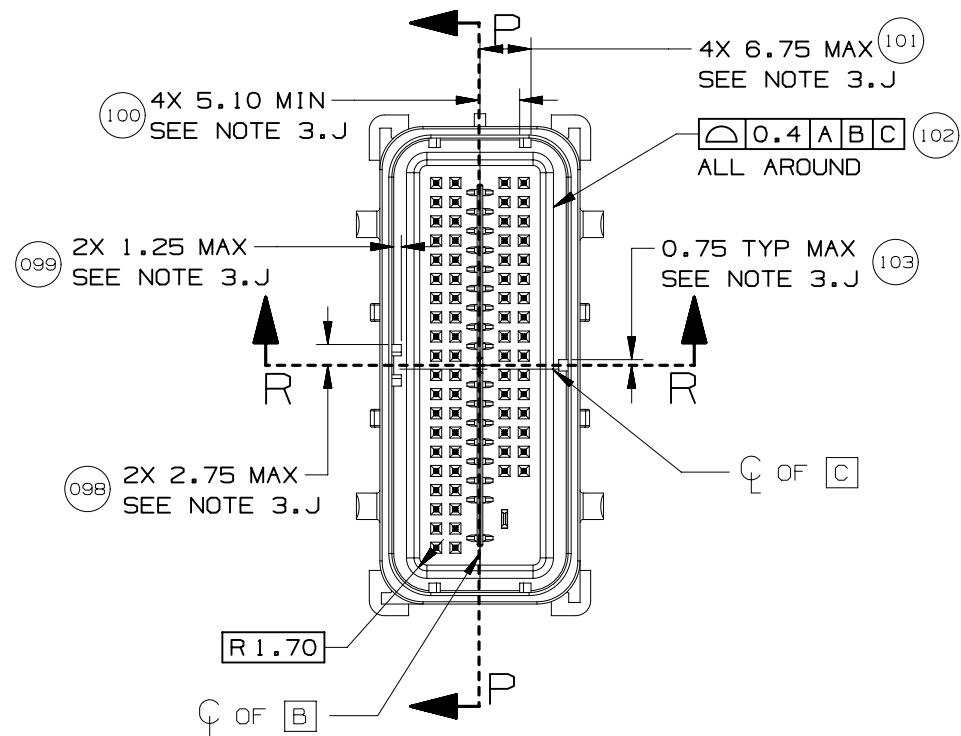




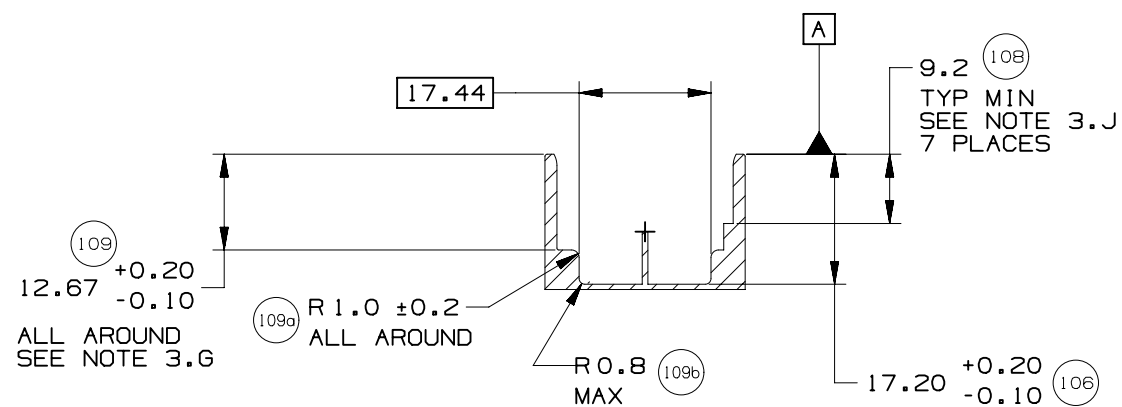
PAGE TITLE
 COMPONENT CONNECTOR INTERFACE

DRAWING NUMBER
 12672833

DWG STATUS			PAGE NUMBER
ST	REV	PD1	
R	001		17 OF 22



SECTION P-P



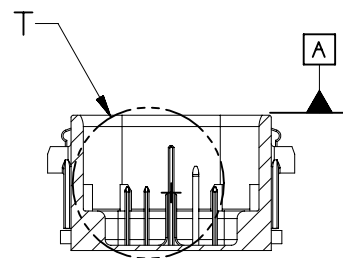
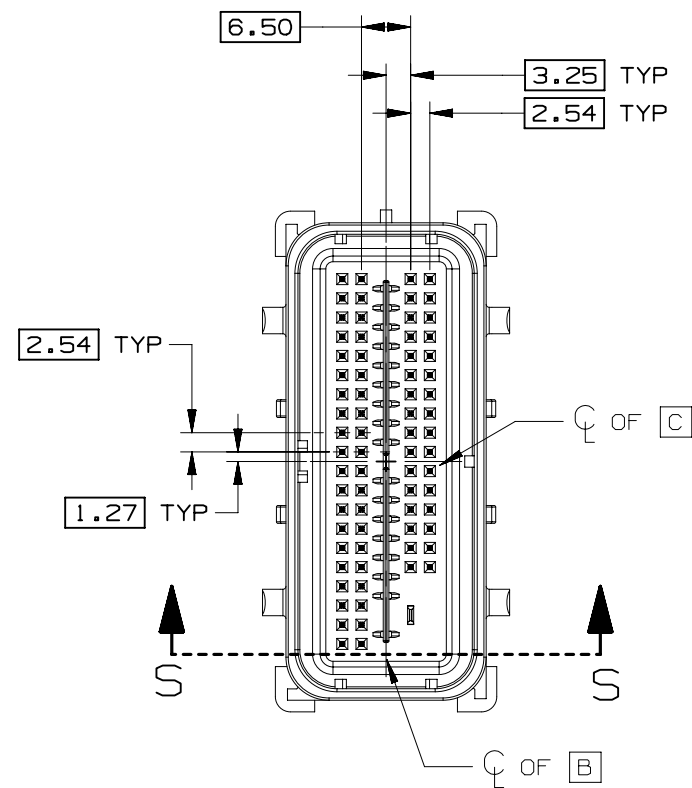
SECTION R-R



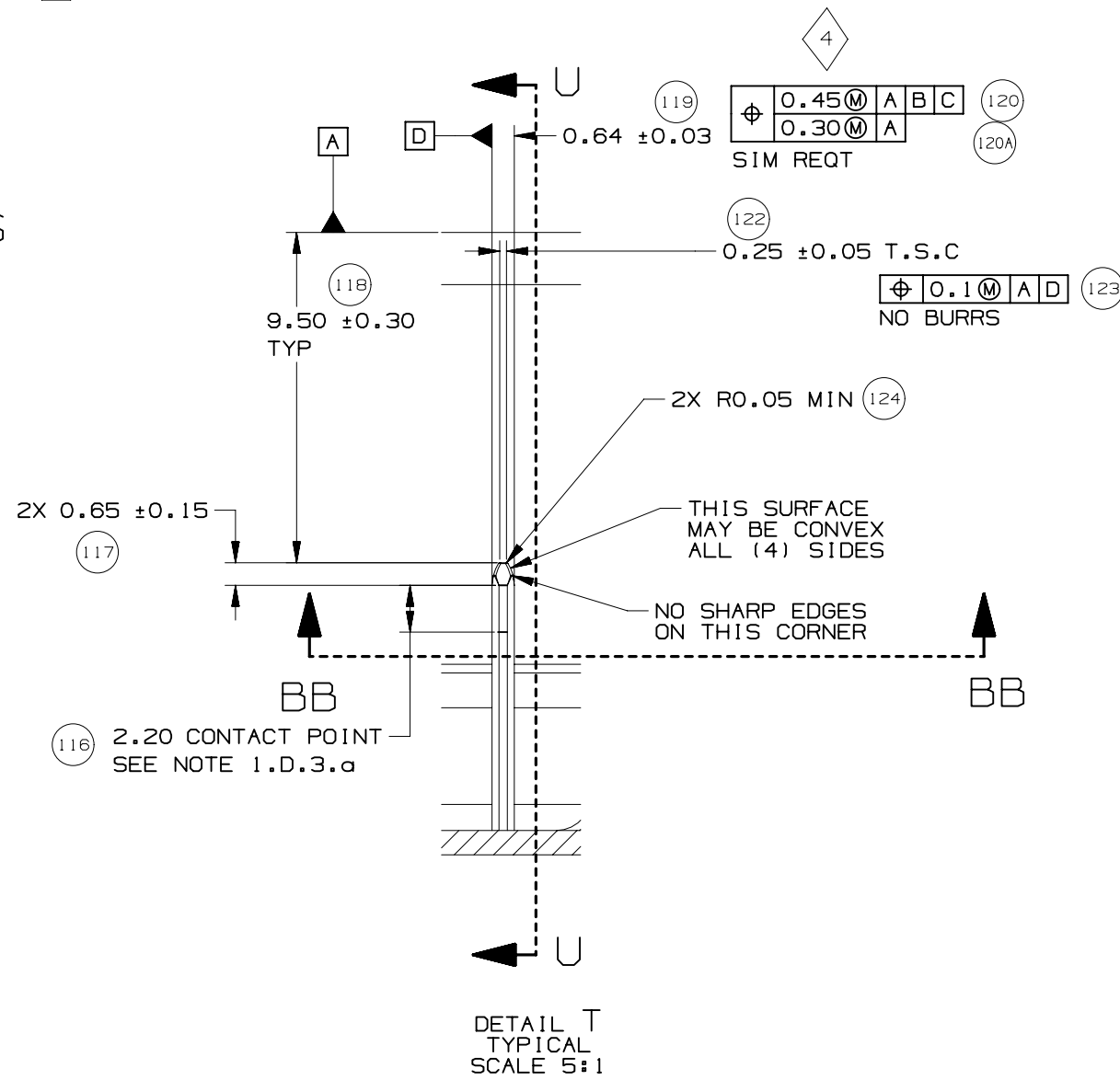
PAGE TITLE
COMPONENT CONNECTOR INTERFACE

DRAWING NUMBER
12672833

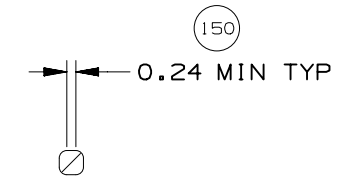
DWG STATUS			PAGE NUMBER	
ST	REV	PD1	19	OF 22
R	001			



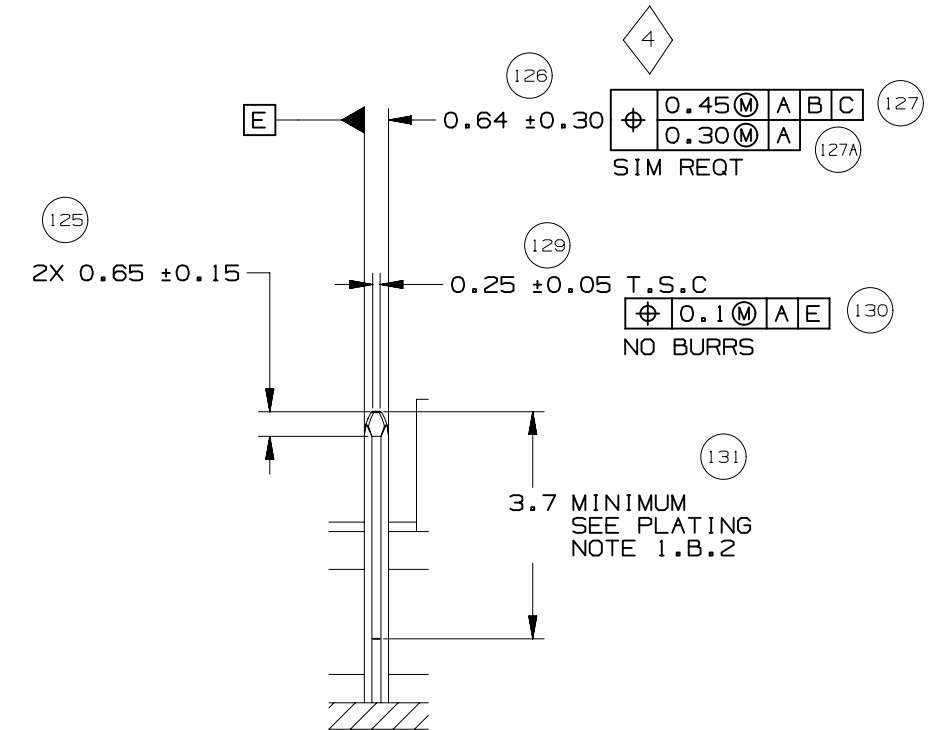
SECTION S-S



DETAIL T
TYPICAL
SCALE 5:1

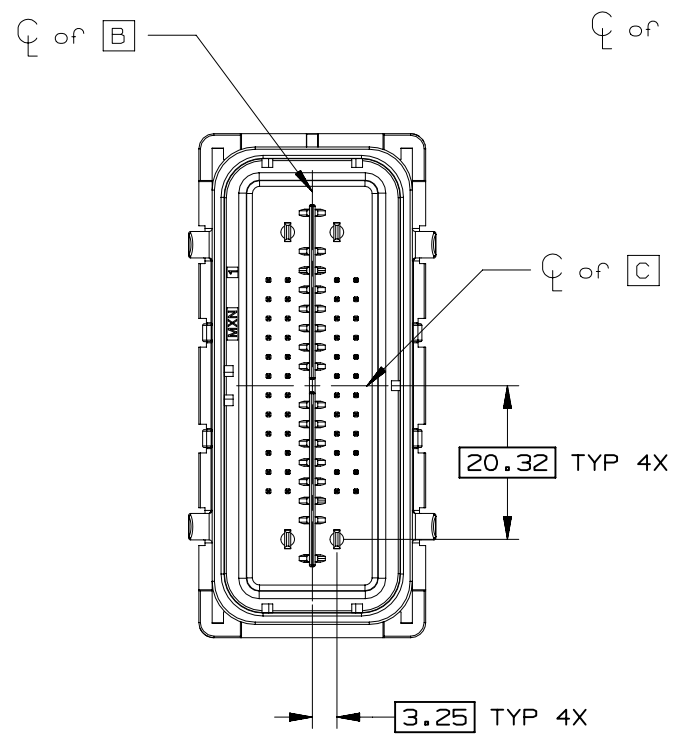


SECTION BB-BB

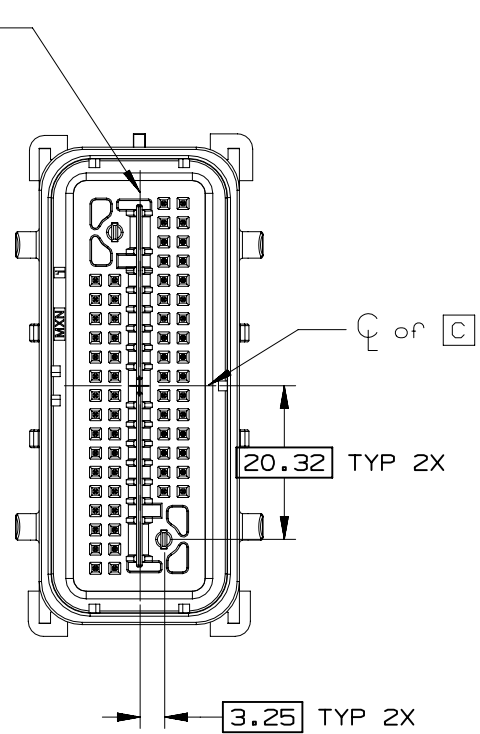


SECTION U-U
TYPICAL

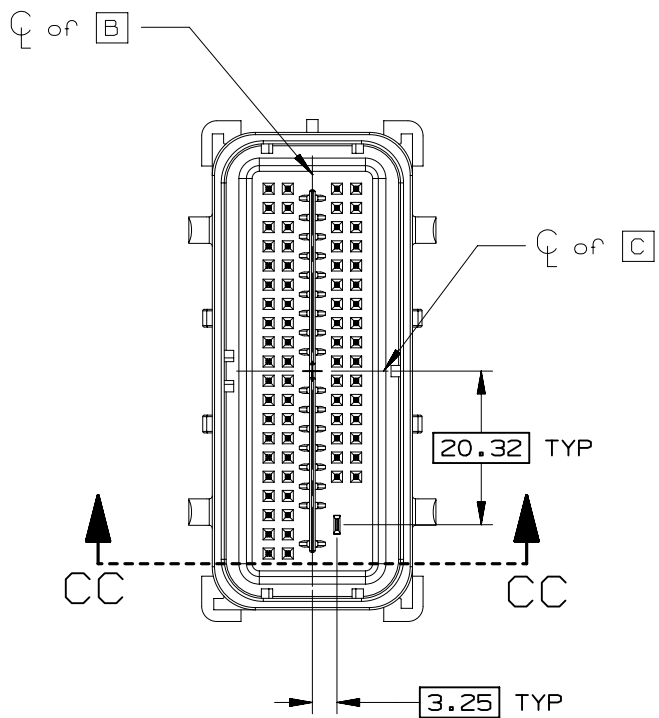




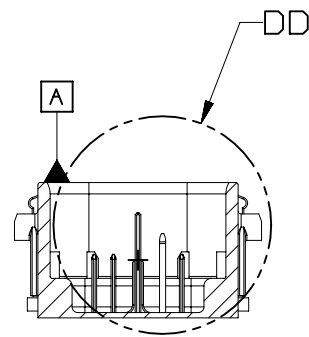
52 CKT COMPONENT
CONNECTOR INTERFACE



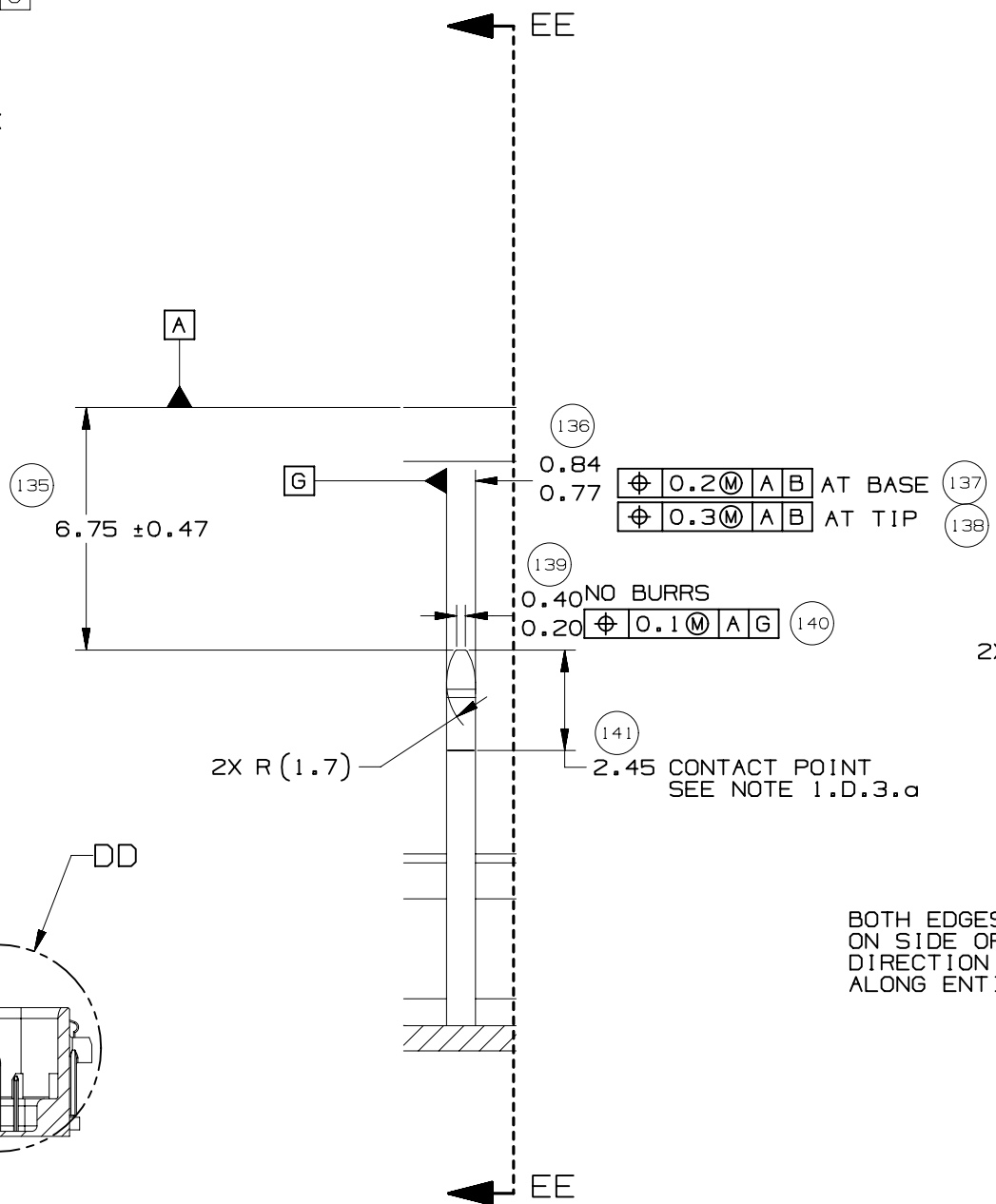
66 CKT COMPONENT
CONNECTOR INTERFACE



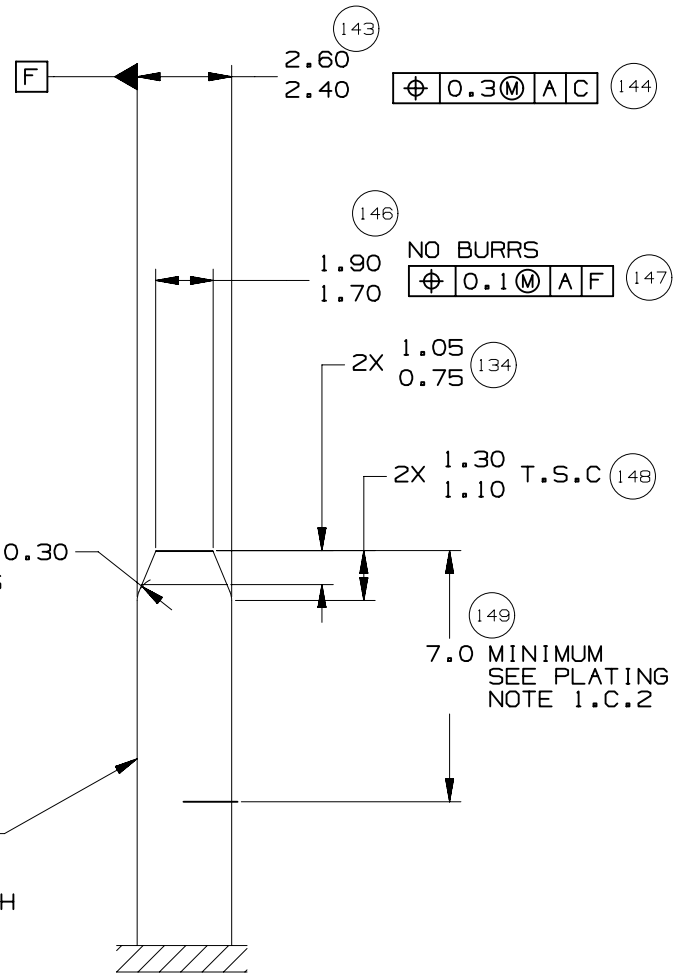
73 CKT COMPONENT
CONNECTOR INTERFACE



SECTION CC-CC



DETAIL DD
TYPICAL
SCALE 5:1

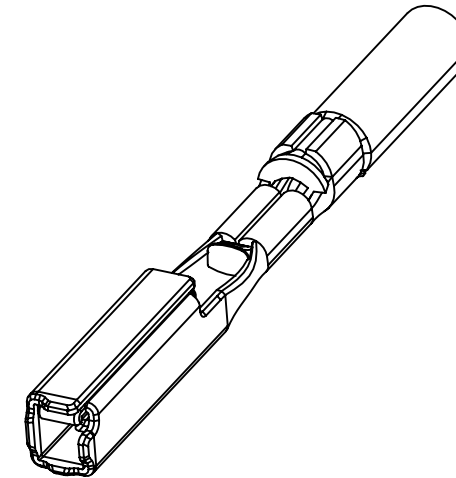
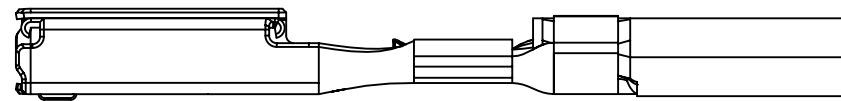
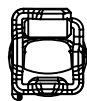


SECTION EE-EE
TYPICAL

	PAGE TITLE		DRAWING NUMBER		DWG STATUS			PAGE NUMBER		
	COMPONENT CONNECTOR INTERFACE		12672833		ST	REV	PDI	21	OF	22
					R	001				

MOLEX MX64 RECEPTACLE TERMINAL INFORMATION

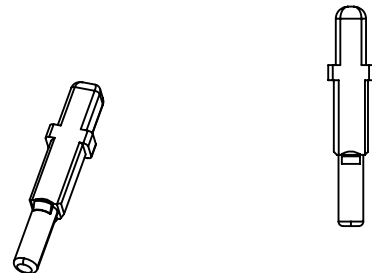
ITEM	MOLEX P/N	GM P/N	WIRE SIZE MM2	TYPE	PLATING	REEL WIND DIRECTION	COMMENTS
1	34736-0025		0.35	ISO	SILVER	LEFT	
2	34736-0026	12672850	0.35	ISO	SILVER	RIGHT	
3	34736-0027		0.5 / 0.75	ISO	SILVER	LEFT	
4	34736-0028	12672851	0.5 / 0.75	ISO	SILVER	RIGHT	



CAVITY PLUGS

ITEM	MFG	MFG P/N	GM P/N RD	SIZE	COLOR	MFG DRAWING	PROD SPEC	APP SPEC	COMMENTS
1	MOLEX	34586-0001	12674820	0.64	NATURAL	SD-34586-001	PS-34566-0000	AS-34566-001	
2	YAZAKI	7158-3114-90	12674821	2.8	BLUE	7158-3114-90	YPES-11-04-062	YPES-15-299	

ITEM 1



ITEM 2



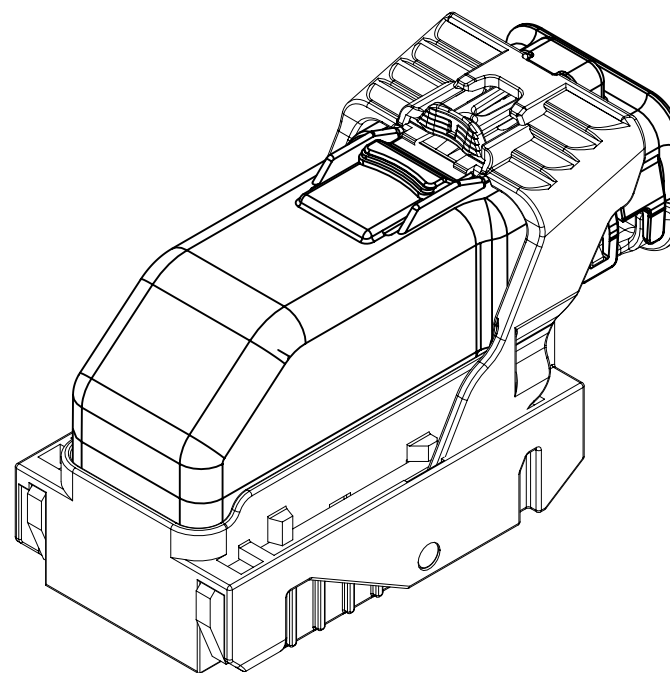
PAGE TITLE
ADDITIONAL COMPONENTS REQUIRED

DRAWING NUMBER
12672833


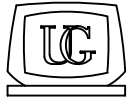
DWG STATUS		
ST	REV	PD1
R	001	

PAGE NUMBER
22 OF 22

INDEX	
PAGE TITLE	PAGE
TITLE BLOCK	1
REVISION BLOCK	2
PART BLOCK	3
KPC BLOCK	4
COMPONENT TABLE	5
NOTES	6
NOTES	7
WIRE DRESS PACKAGING DIMENSIONS	8
LOCATION AND PACKAGING DIMENSIONS REFERENCING INTERFACE DATUMS B & C	9
LOCATION AND PACKAGING DIMENSIONS REFERENCING INTERFACE DATUM A	10
KEY ID REF - WIRE DRESS OPTION 0	11
KEY ID REF - WIRE DRESS OPTION 9	12
CIRCUIT CONFIGURATIONS	13
CIRCUIT CONFIGURATIONS	14
COMPONENT CONNECTOR INTERFACE	15
COMPONENT CONNECTOR INTERFACE	16
COMPONENT CONNECTOR INTERFACE	17
COMPONENT CONNECTOR INTERFACE	18
COMPONENT CONNECTOR INTERFACE	19
COMPONENT CONNECTOR INTERFACE	20
COMPONENT CONNECTOR INTERFACE	21
ADDITIONAL COMPONENTS REQUIRED	22




ISO VIEW

	UNLESS OTHERWISE SPECIFIED: THIS DOCUMENT IS IN ACCORDANCE WITH ASME Y14.5M-1994 AS AMMENDED BY THE GM GLOBAL DIMENSIONING AND TOLERANCING ADDENDUM-1997. ALL GEOMETRIC TOLERANCES AND RELATED DATUMS APPLY RFS. RULE #1 (PERFECT FORM AT MMC) DOES NOT APPLY WHEN A RELATIONSHIP BETWEEN FEATURES IS ESTABLISHED BY ORIENTATION OR LOCATION TOLERANCES. SEPARATE POSITION CALLOUTS MAY BE GAGED SEPARATELY REGARDLESS OF DATUM REFERENCES.			DATE
	 CHANGE RESTRICTED NO MANUAL CHANGES	REFERENCE 12H (MOLEX AUTOMOTIVE)	DRAFTER APVD1 APVD2 APVD3 APVD4 APVD5	05JN15
DO NOT SCALE		DRAWING NAME		
METRIC DIMENSIONS SHOWN IN MILLIMETERS UNLESS OTHERWISE SPECIFIED		HARNESS CONN ASM-SEALED 52/66/73/80 CKTS, MX123		
DRAWING NUMBER		DWG STATUS		PAGE NUMBER
12672833		ST	REV	PD1
		R	001	
				1 OF 22

PAGE	DWG STATUS					REVISION HISTORY	AUTH	DR	CK	ENG
	DATE	ST	REV	CHG	PDI					
	05JN15	R	001			RELEASED TO PRODUCTION AT DLS A	CRMRJE	DFK		

PAGE	DWG STATUS					REVISION HISTORY	AUTH	DR	CK	ENG
	DATE	ST	REV	CHG	PDI					

	PAGE TITLE	DRAWING NUMBER	DWG STATUS			PAGE NUMBER	
	REVISION BLOCK		12672833	ST	REV	PDI	2 OF 22
				R	001		

KEY PRODUCT CHARACTERISTICS
(IN ACCORDANCE WITH QN 1805 OR ON 1050)



SAFETY/COMPLIANCE

TOTAL ON
DRAWING

4



FIT/FUNCTION

LAST NO.
USED

4

NO	TYPE	DESCRIPTION	RATIONALE	PAGE/ZONE
1	F/F	32.68	IMPROVE CONNECTOR SYSTEM MATING	16
2	F/F	29.00	INSURE PROPER RELEASE OF LEVER	16
3	F/F	15.25	INSURE FINAL MATE POSITION	17
4	F/F	POSITIONAL TOLERANCE (2 PLACES)	INSURE CONNECTOR SYSTEM MATEABILITY	20



PAGE TITLE
KPC BLOCK

DRAWING NUMBER

12672833

DWG STATUS

ST	REV	PDI
----	-----	-----

R	001	
---	-----	--

PAGE NUMBER

4 OF 22

LINE	MFG.	MFG. P/N	GM P/N	EFFECTIVE DATE	APPLICABLE COMPONENTS	KEY OPTION	WIRE DRESS OPTION	KEY CONFIG.	COLOR	STATUS
					DESCRIPTION					
-										
1	MOLEX	34565-0003	12582676	02JN03	MX123 DRESS COVER 52/66/73/80 CKT	N/A	N/A	N/A	BLACK	AVAILABLE
2	MOLEX	160094-0001	12672852	01SP13	MX123 HRNS CONN ASSY 52 CKT	A	0	1458	BLACK	AVAILABLE
3	MOLEX	160094-0003	12672854	01SP13	MX123 HRNS CONN ASSY 52 CKT	C	0	2467	BLUE	AVAILABLE
4	MOLEX	160094-0013	12672853	01SP13	MX123 HRNS CONN ASSY 52 CKT	A	9	1458	BLACK	AVAILABLE
5	MOLEX	160094-0015	12672855	01SP13	MX123 HRNS CONN ASSY 52 CKT	C	9	2467	BLUE	AVAILABLE
6	MOLEX	34822-0013	12672856	01SP13	MX123 HRNS CONN ASSY 66 CKT	A	0	1458	BLACK	AVAILABLE
7	MOLEX	34822-0033	12672858	01SP13	MX123 HRNS CONN ASSY 66 CKT	C	0	2467	BLUE	AVAILABLE
8	MOLEX	34822-0023	12672857	01SP13	MX123 HRNS CONN ASSY 66 CKT	A	9	1458	BLACK	AVAILABLE
9	MOLEX	34822-0043	12672859	01SP13	MX123 HRNS CONN ASSY 66 CKT	C	9	2467	BLUE	AVAILABLE
10	MOLEX	34566-0103	12672860	11JN04	MX123 HRNS CONN ASSY 73 CKT	A	0	1458	BLACK	AVAILABLE
11	MOLEX	34566-0203	12672862	11JN04	MX123 HRNS CONN ASSY 73 CKT	B	0	1468	ST GRAY	AVAILABLE
12	MOLEX	34566-0303	12672864	09AP08	MX123 HRNS CONN ASSY 73 CKT	C	0	2467	BLUE	AVAILABLE
13	MOLEX	34566-0603	12672866	05DC14	MX123 HRNS CONN ASSY 73 CKT	F	0	1357	NATURAL	AVAILABLE
14	MOLEX	34566-1303	12672861	11JN04	MX123 HRNS CONN ASSY 73 CKT	A	9	1458	BLACK	AVAILABLE
15	MOLEX	34566-1403	12672863	11JN04	MX123 HRNS CONN ASSY 73 CKT	B	9	1468	ST GRAY	AVAILABLE
16	MOLEX	34566-1503	12672865	09AP08	MX123 HRNS CONN ASSY 73 CKT	C	9	2467	BLUE	AVAILABLE
17	MOLEX	34566-1803	12672867	05DC14	MX123 HRNS CONN ASSY 73 CKT	F	9	1357	NATURAL	AVAILABLE
18	MOLEX	34566-0703	12672872	09AP08	MX123 HRNS CONN ASSY 80 CKT	G	0	1358	BLUE	AVAILABLE
19	MOLEX	34566-0803	12672870	11JN04	MX123 HRNS CONN ASSY 80 CKT	H	0	2458	ST GRAY	AVAILABLE
20	MOLEX	34566-0903	12672868	T.B.D	MX123 HRNS CONN ASSY 80 CKT	J	0	2457	BLACK	NOT ACTIVE
21	MOLEX	34566-1903	12672873	09AP08	MX123 HRNS CONN ASSY 80 CKT	G	9	1358	BLUE	AVAILABLE
22	MOLEX	34566-2003	12672871	11JN04	MX123 HRNS CONN ASSY 80 CKT	H	9	2458	ST GRAY	AVAILABLE
23	MOLEX	34566-2103	12672869	T.B.D	MX123 HRNS CONN ASSY 80 CKT	J	9	2457	BLACK	NOT ACTIVE
24	MOLEX	34736-0028	12672851	01AU10	MX64 RCPT TERM Ag 0.5mm/0.75mm ISO GAGE B (RIGHT PAYOFF)	N/A	N/A	N/A	N/A	AVAILABLE
25	MOLEX	34736-0026	12672850	01AU10	MX64 RCPT TERM Ag 0.35mm ISO GAGE B (RIGHT PAYOFF)	N/A	N/A	N/A	N/A	AVAILABLE
26	MOLEX	34586-0001	12674820	11JN04	MX123 0.64mm GROMMET PLUG	N/A	N/A	N/A	NATURAL	AVAILABLE
27	YAZAKI	7116-4150-02	12588066	02JN03	2.8mm YESC SEALED FEMALE TERMINAL TIN 0.35mm2-0.50mm2	N/A	N/A	N/A	N/A	NOT ACTIVE
28	YAZAKI	7116-4151-02	12588067	02JN03	2.8mm YESC SEALED FEMALE TERMINAL TIN 0.75mm2-1.0mm2	N/A	N/A	N/A	N/A	NOT ACTIVE
29	YAZAKI	7116-4152-02	12582685	02JN03	2.8mm YESC SEALED FEMALE TERMINAL TIN 1.5mm2-2.5mm2	N/A	N/A	N/A	N/A	AVAILABLE
30	YAZAKI	7158-3111-60	12588068	02JN03	2.8mm CABLE SEAL (wire O.D. range 1.2mm-1.9mm)	N/A	N/A	N/A	GREEN	NOT ACTIVE
31	YAZAKI	7158-3112-70	12588069	02JN03	2.8mm CABLE SEAL (wire O.D. range 1.8mm-2.3mm)	N/A	N/A	N/A	YELLOW	NOT ACTIVE
32	YAZAKI	7158-3113-40	12582686	02JN03	2.8mm CABLE SEAL (wire O.D. range 2.1mm-3.0mm)	N/A	N/A	N/A	WHITE	AVAILABLE
33	YAZAKI	7158-3114-90	12674821	02JN03	2.8mm YESC CAVITY PLUG	N/A	N/A	N/A	BLUE	AVAILABLE
34	MOLEX	63825-8400	N/A	02JN03	MX64 TERM HAND CRIMP TOOL	N/A	N/A	N/A	N/A	AVAILABLE
35	MOLEX	63813-1400	XX019826	02JN03	MX64 TERM SERVICE TOOL	N/A	N/A	N/A	N/A	AVAILABLE
36	MOLEX	63902-5300	N/A	02JN03	MX64 CRIMP APPLICATOR with TOOL KIT 0.5/0.75mm2 PAYOFF DIRECTION D (left payoff) (contact Molex for payoff detail)	N/A	N/A	N/A	N/A	AVAILABLE
37	MOLEX	63902-5370	N/A	02JN03	MX64 APPLICATOR TOOL KIT 0.5/0.75mm2	N/A	N/A	N/A	N/A	AVAILABLE
38	MOLEX	63902-5100	N/A	02JN03	MX64 CRIMP APPLICATOR with TOOL KIT 0.35mm2 PAYOFF DIRECTION D (left payoff) (contact Molex for payoff detail)	N/A	N/A	N/A	N/A	AVAILABLE
39	MOLEX	63902-5170	N/A	02JN03	MX64 APPLICATOR TOOL KIT 0.35mm2	N/A	N/A	N/A	N/A	AVAILABLE
40	SPX	J35616-64	T.B.D.	02JN03	0.64mm PROBE TOOL (for rcpt)	N/A	N/A	N/A	N/A	AVAILABLE
41	SPX	J35616-64A	T.B.D.	02JN03	0.64mm PROBE TOOL WITH EXT (for rcpt)	N/A	N/A	N/A	N/A	AVAILABLE
42	SPX	J35616-65	T.B.D.	02JN03	0.64mm PROBE TOOL WITH EXT (for pin)	N/A	N/A	N/A	N/A	AVAILABLE
43	SPX	J35616-4A	T.B.D.	02JN03	2.8mm PROBE TOOL (for rcpt)	N/A	N/A	N/A	N/A	AVAILABLE
44	YAZAKI	X39899-J374	12094430	02JN03	2.8mm TERM SERVICE TOOL	N/A	N/A	N/A	N/A	AVAILABLE
45	TQI	7000-1006	N/A	15JN15	52 CKT PASS THROUGH ADAPTERS	N/A	N/A	N/A	BLACK	AVAILABLE
46	TQI	7000-1002	N/A	15JN15	66 CKT PASS THROUGH ADAPTERS	N/A	N/A	N/A	BLACK	AVAILABLE
47	TQI	79917-0061	N/A	15JN15	73 CKT PASS THROUGH ADAPTERS	N/A	N/A	N/A	BLACK	AVAILABLE
48	TQI	79917-0066	N/A	15JN15	80 CKT PASS THROUGH ADAPTERS	N/A	N/A	N/A	BLACK	AVAILABLE

* - MX123 DRESS COVER 52/66/73/80 CKT MATES TO ANY MX123 HARN CONN ASSY SHOWN ON TABLE ABOVE



PAGE TITLE
COMPONENT TABLE

DRAWING NUMBER

12672833

DWG STATUS

ST REV PDI

R 001

PAGE NUMBER

5 OF 22

NOTES: UNLESS OTHERWISE SPECIFIED

1. MATERIAL FOR INTERFACE:


- A. RESIN:
 - 1. 30% G.F. PBT; 20% MAX. (BY WEIGHT) REGRIND.
 - 2. MATING CONNECTOR INTERFACE PART COLOR MUST BE SAME AS MATCHING KEYED HARNESS CONNECTOR ASSEMBLY.
 - 3. MUST BE VALIDATED FOR INDIVIDUAL DEVICE APPLICATION REQUIREMENTS.
- B. 0.64MM PINS:
 - 1. BASE MATERIAL: COPPER ALLOY; CONDUCTIVITY >= 28% IACS AT 20°C; TENSILE STRENGTH >= 635 N/mm²; SURFACE ROUGHNESS R_a 6 MAX.
 - 2. PLATING FINISH: SILVER (Ag). PLATING TO BE 1.9-3.3 μm ELECTRODEPOSITED SEMI-BRIGHT SILVER OVER 1.25-2.25 μm DUCTILE SULPHAMATE NICKEL PER NOTE 1(D).
 - 3. ANTI-TARNISH: SYNTHETIC HYDROCARBON CONTACT SURFACE FINISH OR EQUIVALENT APPLIED WITHOUT VOID TO CONTACT AREA (MIN 3.7mm FROM PIN TIP).
- C. 2.8MM BLADE:
 - 1. BASE MATERIAL: COPPER ALLOY; CONDUCTIVITY >= 28% IACS AT 20°C; TENSILE STRENGTH >= 350 N/mm²; SURFACE ROUGHNESS R_a 6 MAX.
 - 2. PLATING FINISH: TIN. PLATING TO BE 2.5-5.0 μm ELECTRODEPOSITED TIN, MATTE FINISH OVER 1.25-2.5 μm DUCTILE SULPHAMATE NICKEL PER NOTE 1(D).
- D. PLATING REQUIREMENTS:
 - 1. SILVER PLATING
 - a. 99.5% PURE SEMI-BRIGHT WITH NO ORGANIC BRIGHTNERS OR CHROMATES.
 - 2. NICKEL PLATING
 - a. ELECTRODEPOSITED DUCTILE SULFAMATE NICKEL WITH A NON-BRIGHTENED FINISH. NO ORGANIC OR BRIGHTENING AGENTS SHALL BE ALLOWED.
 - b. SHALL ONLY BE USED AS AN UNDERLYING PLATING AND MAY NOT BE USED AS AN ELECTRICAL CONTACT SURFACE PLATING.
 - c. SHALL BE NODULE FREE WHEN VIEWED AT 10X MAGNIFICATION IN MEASURED IN CONTACT SURFACE AREA PLUS 0.5MM PERIMETER AROUND THE CONTACT SURFACE AREA.
 - d. ALL PLATINGS SHALL HAVE A 1.0% MAXIMUM BY WEIGHT IMPURITIES. IMPURITIES ARE DEFINED AS ALL ELEMENTS NOT THE PRIMARY PLATING OR HARDENING AGENT IF APPLICABLE, AS DETERMINED BY WET CHEMICAL ANALYSIS OR AUGER METHOD. NO SINGLE IMPURITY SHALL EXCEED 0.1% MAXIMUM BY WEIGHT.
 - 3. TESTING
 - a. THICKNESS TO BE MEASURED IN CONTACT SURFACE AREA PLUS 0.5MM PERIMETER AROUND THE CONTACT SURFACE AREA AS DESIGNATED IN THE DRAWING. THICKNESS SHALL BE DETERMINED BY METHOD OF X-RAY (XRF).
 - b. PLATING ADHESION SHALL BE TESTED BY A BEND TEST FOR ALL METALS. THE TEST SAMPLE SHALL BE BENT 90 DEGREES TO DETERMINE DEPOSIT ADHESION. TESTING SHALL BE COMPLETED IN ACCORDANCE WITH ASTM SPEC B571.

2. DESIGN - GENERAL:

- A. THIS IS A 100% CAD GENERATED PART. THE CAD MATHEMATICAL DATA IS THE MASTER FOR THIS PART. FOR DIMENSIONAL OR ANY INFORMATION NOT SHOWN ON THIS DRAWING, ANALYZE THE CAD MODEL.
- B. TOLERANCES:
 - 1. LINEAR
 - 0.X ± 0.30
 - 0.XX ± 0.10
 - 0.XXX ± 0.10
 - 2. ANGULAR X° ± 3°
 - 3. 
- C. MINIMUM WALL THICKNESS REQUIRED: 1.3mm.
- D. CORNERS SHOWN AS SHARP TO BE R 0.2 MAX.
- E. LETTERING SHALL BE 0.15 MAX RAISED IN 0.20 MAX RECESS PAD. THIS INCLUDES MATERIAL CODE, RECYCLING CODE, CAVITY ID AND DATE CODE.
- F-1. PARTS MUST BE FREE OF DISCOLORATION, SALT RESIDUE AND OTHER IMPERFECTIONS THAT AFFECT FIT OR FUNCTION.
- F-2. SCRATCHES OR DENTS NOT TO EXCEED 0.013mm IN DEPTH.
- G. FOLLOWING PRODUCTION CODES TO BE PERMANENTLY MARKED & HUMAN READABLE TO A LETTER HEIGHT OF 1.5 ± 0.5MM X 0.3 MAX DEEP
 - 1. MATERIAL #: XXXXX-XXXX
 - 2. DATE CODE: JJJY (JULIAN DAY, LAST DIGIT OF YEAR)
 - 3. INSPECTION MACHINE CODE + SERIAL #: X_XXXXX

3. DESIGN - MANUFACTURING:

- A. DRAFT TO BE WITHIN TOLERANCE.
- B. ALLOWABLE FLASH MAX 0.2 HIGH X MAX 0.13 THICK.
- C. ALLOWABLE PARTING LINE MISMATCH 0.2 MAX.
- D. EJECTOR PINS MARK TO BE FLUSH TO 0.25 MAX DEPRESSED.
- E. ALLOWABLE GATE VESTIGE FLUSH TO 0.25 MAX PROTRUSION.
- F. NO EXTERNAL MOLD RELEASE AGENT ALLOWED DURING MANUFACTURING.
- G. STEEL THAT FORMS THE INDICATED SURFACE MUST BE POLISHED WITH A DIAMOND FINISH (SPI A-2) OVER THE FULL PERIPHERY OF THE TOOL. SURFACE MUST HAVE NO MISMATCH.
- H. ANY PROCESS LUBRICANT REMAINING ON THE TERMINAL MUST NOT VARNISH OR DEGRADE IT'S ELECTRICAL PERFORMANCE UP TO A MAXIMUM CLASS AMBIENT TEMPERATURE PER SAE USCAR-2 FOR 1008 HOURS. PROCESS LUBRICANTS SHOULD BE APPROVED BY THE RESPONSIBLE ENGINEER.
- J. OPTIONAL FEATURES PROVIDED FOR AUTOMATION.
- K. PART MUST BE FREE FROM BURRS AND SHARP EDGES, WHICH MIGHT BE DETRIMENTAL TO SATISFACTORY ASSEMBLY, SAFE HANDLING OR FUNCTION OF PART.
- L. PARTS AS DELIVERED TO ASSEMBLY SHALL BE CLEAN AND FREE OF DEBRIS, RESIDUAL ABRASIVE MATERIAL AND CORROSION PRODUCTS ADVERESLY AFFECTING FUNCTION OR APPEARENCE.
- M. RESTRICTED AND REPORTABLE SUBSTANCES FOR PARTS PER GMW3059.

	PAGE TITLE	DRAWING NUMBER	DWG STATUS			PAGE NUMBER	
	NOTES		12672833	ST	REV	PDI	6 OF 22
				R	001		

NOTES: UNLESS OTHERWISE SPECIFIED

4. SYSTEM REQUIREMENTS:

- A. HARNESS CONNECTOR IS COMPATIBLE WITH THE FOLLOWING ISO WIRE SIZE NO'S:
 0.35mm², MEETING GMW15626 - MIN OD OF 1.30MM
 0.50mm², MEETING GMW15626
 0.75mm², MEETING GMW15626 - MAX OD OF 2.06MM

B. CABLE TIE SPECIFICATIONS:

1. CABLE TIE:
 - TENSILE RATING: 220N / (50lbs) MIN
 - TIE LENGTH: 186mm MIN
 - TIE WIDTH: 4.75mm MAX
 - MATERIAL: NYLON
2. INSTALLATION:
 - CABLE TIE TENSION: 190N MIN
3. DRESSED WIRE BUNDLE PACKAGING: SEE FIG. 1

C. WHEN MATED WITH COMPONENT CONNECTOR INTERFACE AND/OR DRESS COVER, HARNESS CONNECTOR SYSTEM CONFORMS TO THE FOLLOWING:

1. SAE/USCAR-2, REV: 3 APRIL, 2001; CLASS 3
2. FIELD CORRELATED LIFE TEST, SAE/USCAR-20, NOV. 2001
3. GMW #3191 AUGUST 22, 2000 (DRAFT); TEMPERATURE CLASS 3, SEALING CLASS 1, VIBRATION CLASS 2
4. RESTRICTED AND REPORTABLE CHEMICALS PER GMW #3059, REV: D AUGUST 2002
5. TPA USER FORCES (FULLY POPULATED WITH TERMINALS)
 - a. REMOVAL FROM LOCK TO PRE-SET: <=120N

D. WIRE SPECIFICATIONS:

1. WIRE SURFACE MUST BE FREE OF SCRATCHES, GROOVES OR DENTS WHERE FUNCTIONAL

5. TERMINAL CURRENT RATINGS:

A. MX64 RCPT TERM

ALL TESTING DONE IN ACCORDANCE WITH USCAR-2 REV5 SECTION 5.3

1. MX64 RCPT TERM Ag 0.50/0.75mm² CRIMPED TO 0.75mm² ISO WIRE AND MATED TO MX123 0.64MM PIN: SEE TABLE BELOW
2. MX64 RCPT TERM Ag 0.35mm² CRIMPED TO 0.35mm² ISO WIRE AND MATED TO MX123 0.64MM PIN: SEE TABLE BELOW

WIRE	CURRENT RATING			
	23°C	85°C	105°C	125°C
0.75mm ²	11.3A	11.3A	9.5A	6.6A
0.50mm ²	10.0A	10.0A	8.3A	5.7A
0.35mm ²	8.5A	8.5A	7.1A	5.0A

B. 2.8MM RCPT TERM

ALL TESTING DONE IN ACCORDANCE WITH MOLEX DVP&R 0279 (TR # 7125)

1. 2.8MM RCPT TERM TIN 2.0mm² CRIMPED TO 2.0mm² ISO WIRE AND MATED TO MX123 2.8MM BLADE: 25.6 AMPS AT 125°C

6. CONTACT MOLEX AUTOMOTIVE FOR AVAILABLE CUSTOM PATTERNS OF CAVITIES OPEN FOR CIRCUITS - SEE GM DRAWING 13507496



PAGE TITLE
NOTES

DRAWING NUMBER

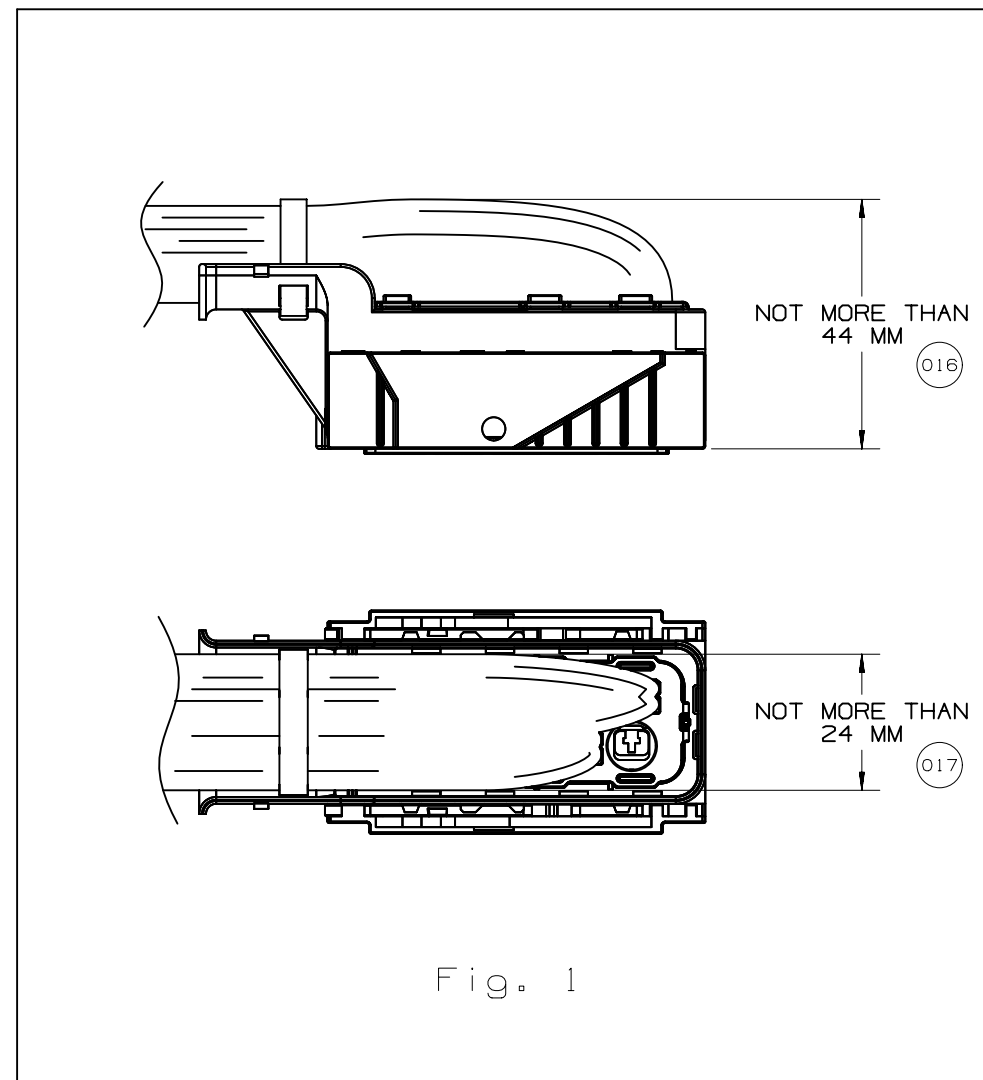
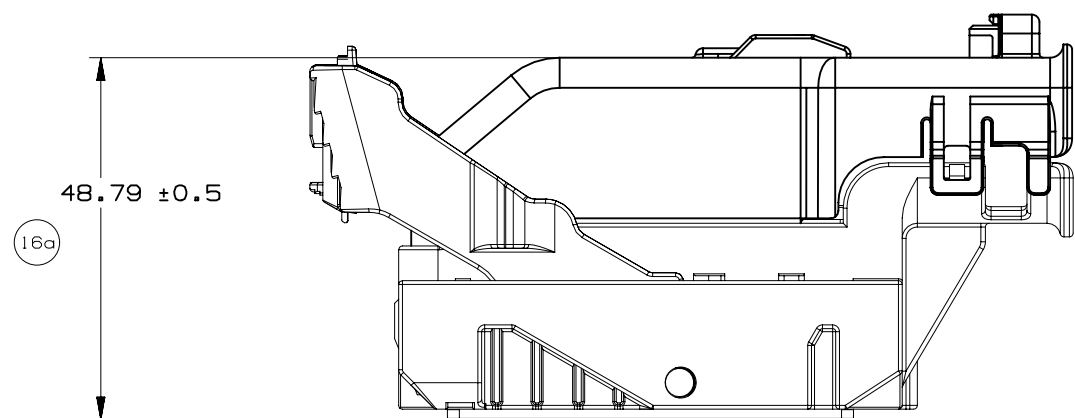
12672833

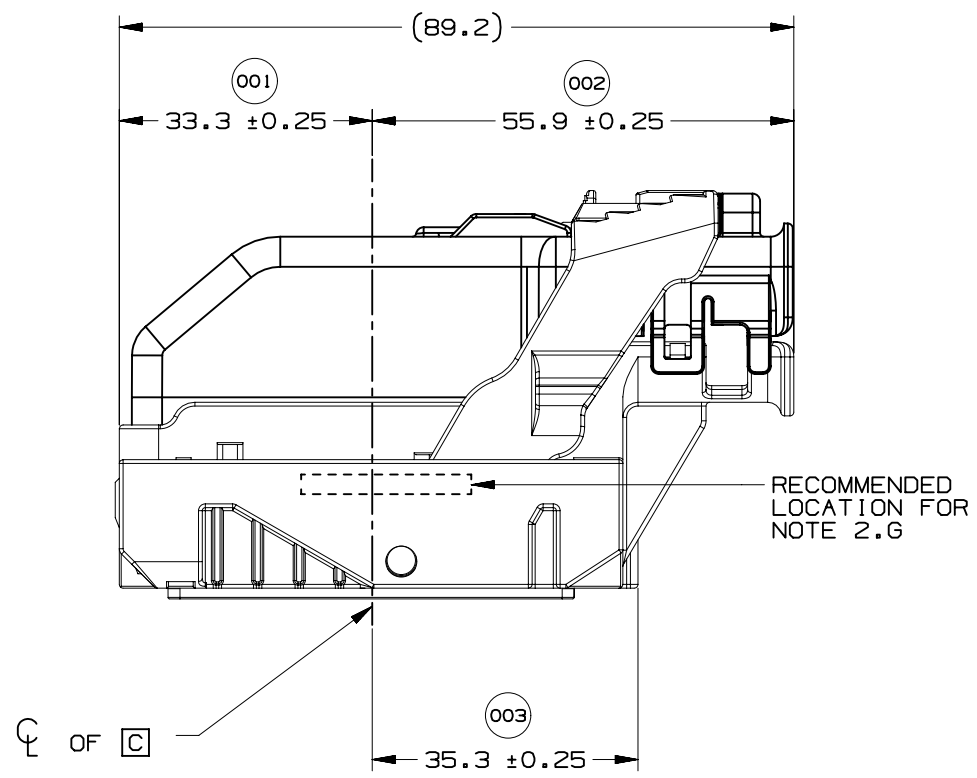
DWG STATUS

ST	REV	PDI
R	001	

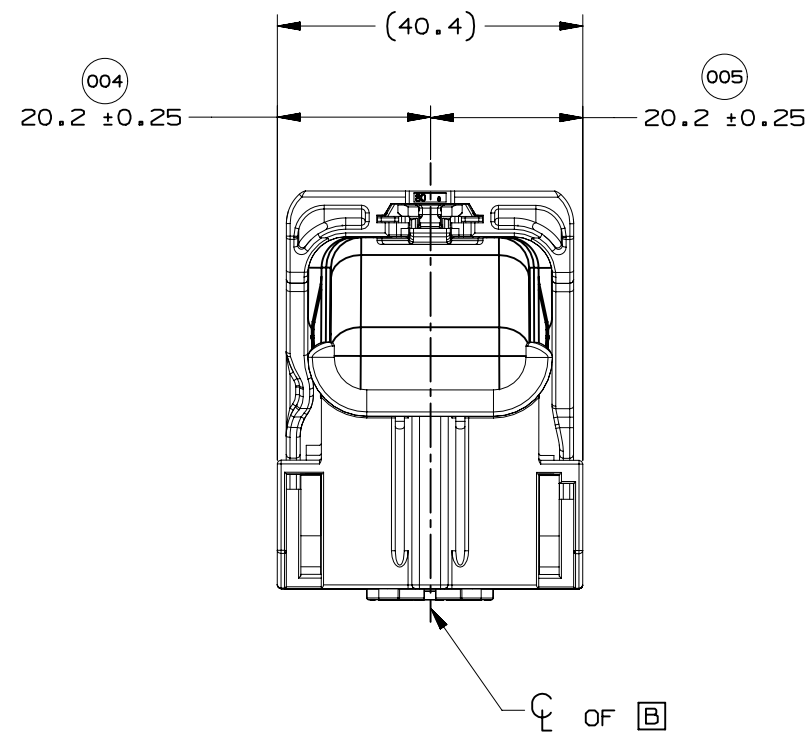
PAGE NUMBER

7 OF 22

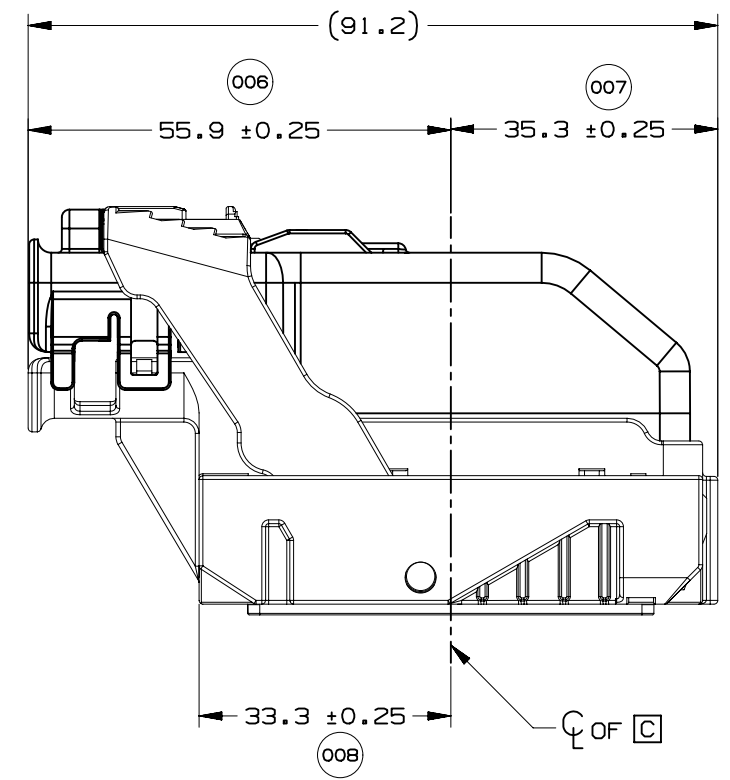




WIRE DRESS OPTION 0 SHOWN

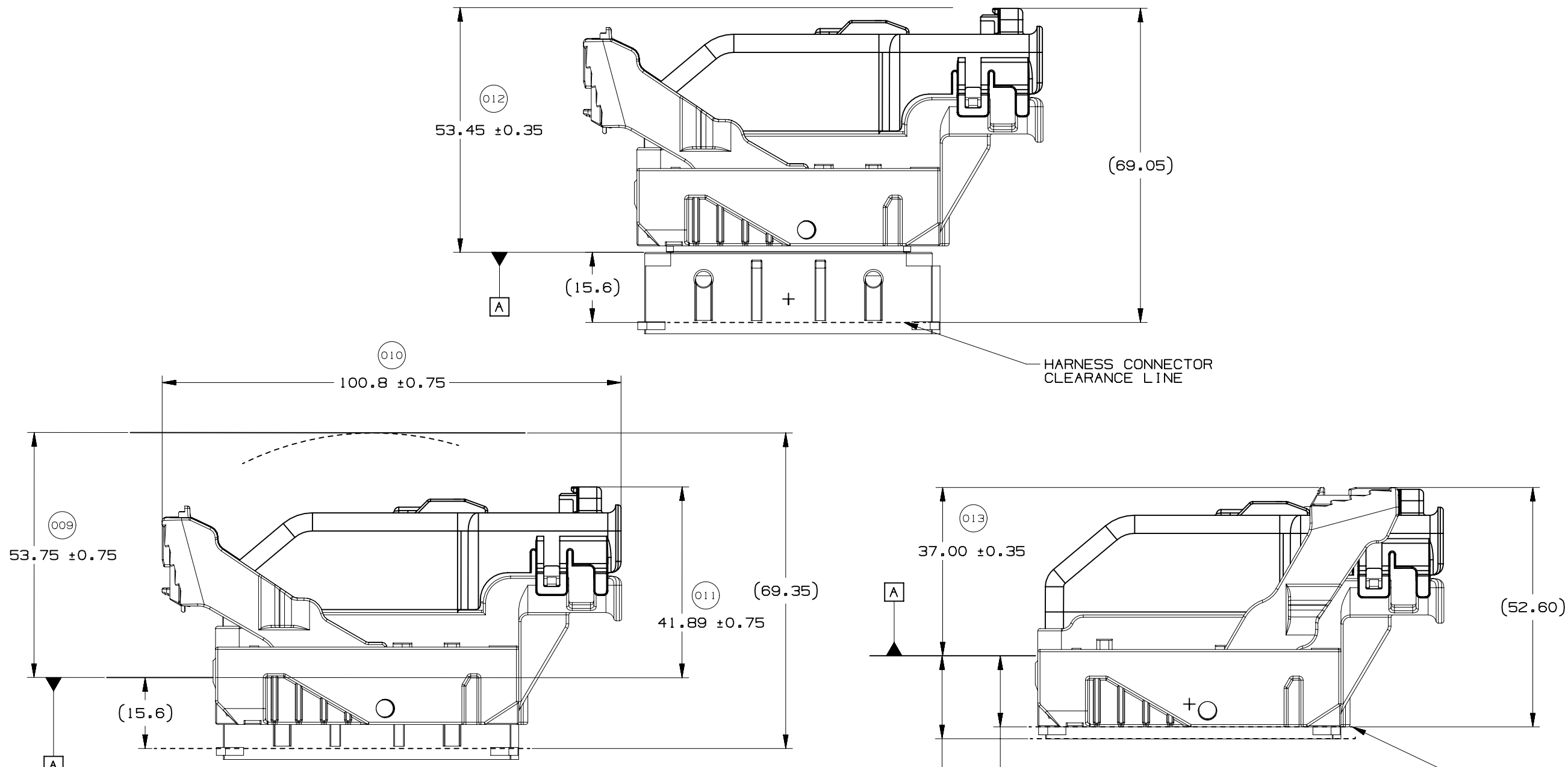


WIRE DRESS OPTION 0 SHOWN



WIRE DRESS OPTION 9 SHOWN





HARNESS CONNECTOR CLEARANCE LINE

HARNESS CONNECTOR ASSEMBLY IN FULLY-MATED POSITION

HARNESS CONNECTOR CLEARANCE LINE

15.6 MIN. ALL AROUND CLEARANCE REQUIRED FOR HARNESS CONNECTOR (014)

17.9 MIN. AT PAD LOCATION CLEARANCE REQUIRED FOR HARNESS CONNECTOR CONSTRUCTION BELOW THIS PLANE IS NOT CONTROLLED (015)

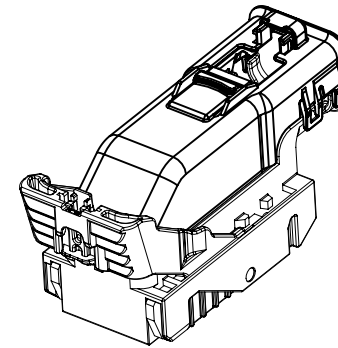
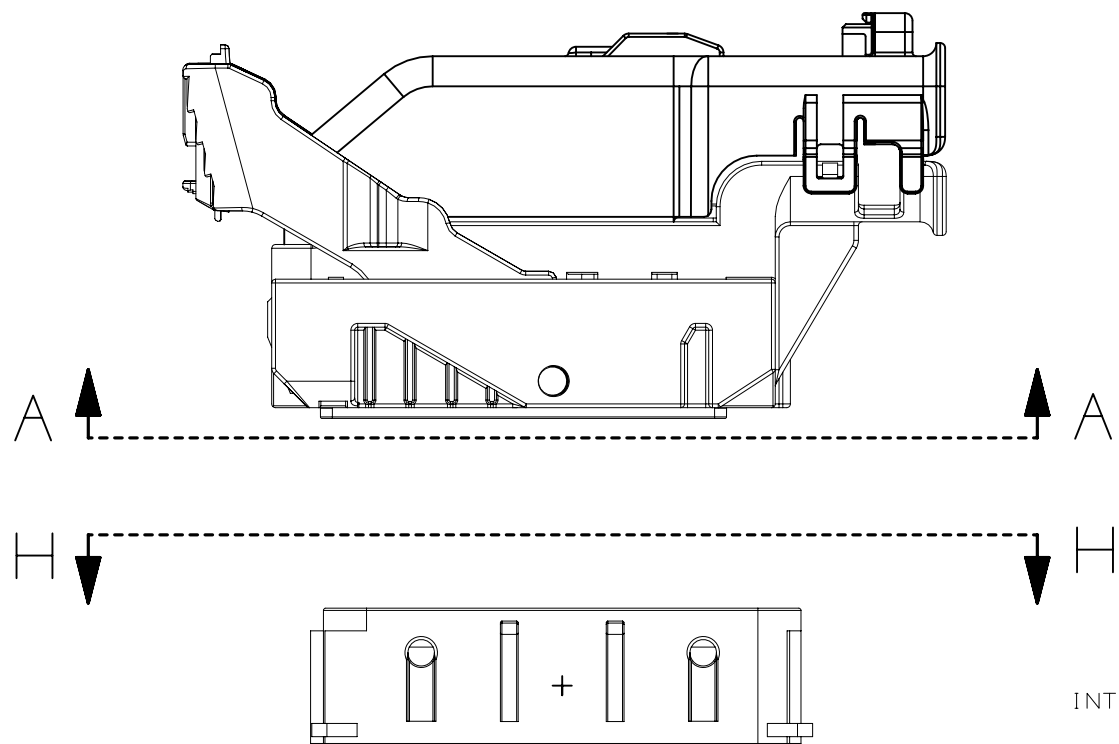


PAGE TITLE
LOCATION AND PACKAGING DIMENSIONS
REFERENCING INTERFACE DATUM A

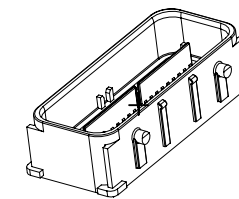
DRAWING NUMBER
12672833

DWG STATUS		
ST	REV	PD1
R	001	

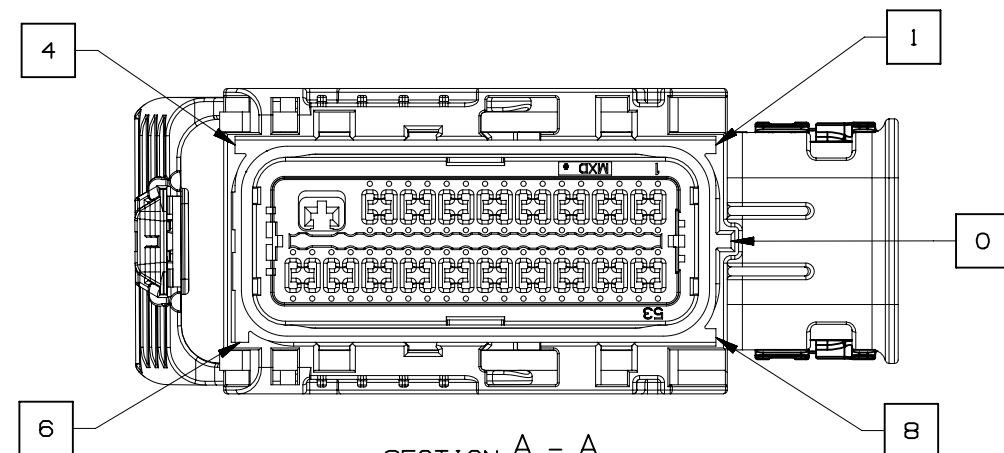
PAGE NUMBER
10 OF 22



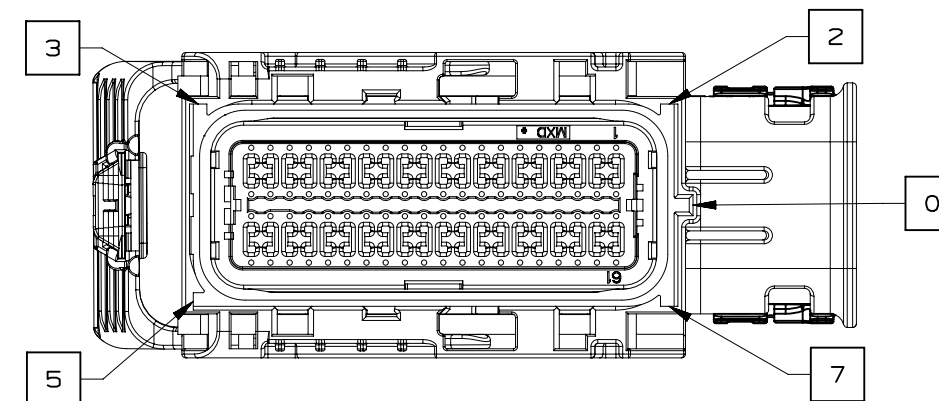
NOTE: REFERENCE THE COMPONENT TABLE FOR KEY OPTIONS AND CONFIGURATIONS



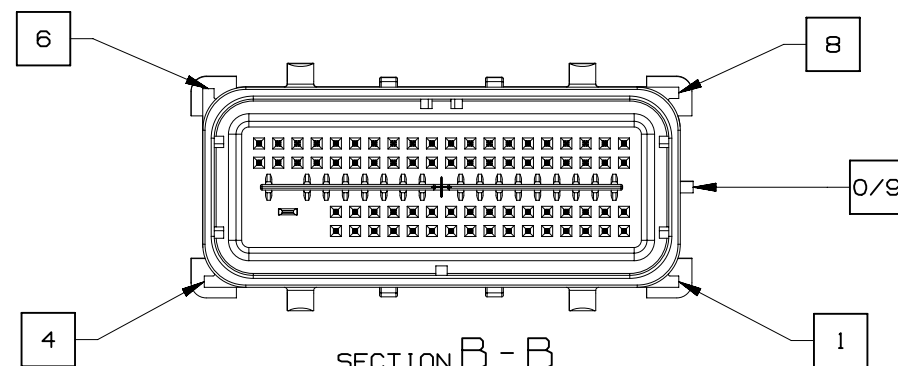
INTERFACE SIDE SHOWN ON ALL SECTION VIEWS



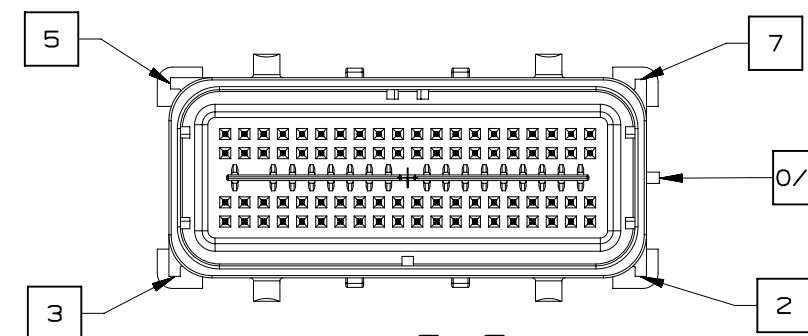
SECTION A - A
73 CKT HARNESS CONNECTOR ASSEMBLY
KEY OPTION B SHOWN



SECTION A - A
80 CKT HARNESS CONNECTOR ASSEMBLY
KEY OPTION K SHOWN



SECTION B - B
73 CKT HARNESS CONNECTOR ASSEMBLY
KEY OPTION B SHOWN



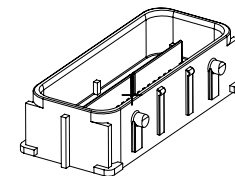
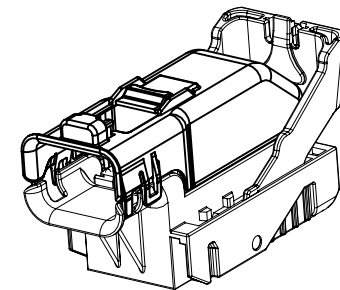
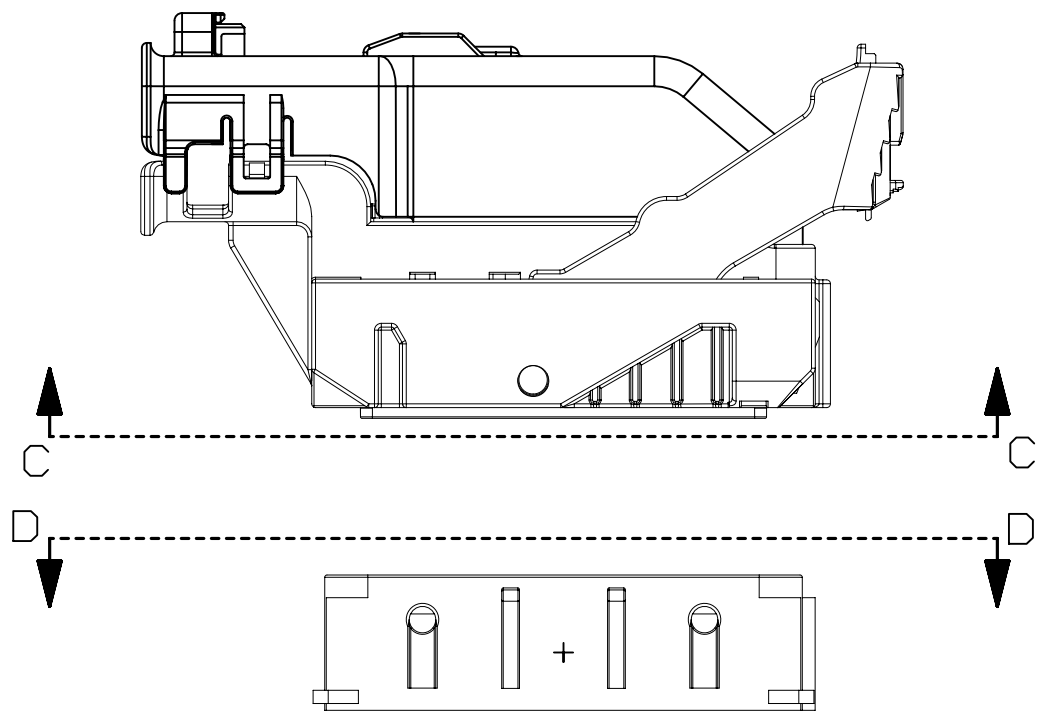
SECTION B - B
80 CKT HARNESS CONNECTOR ASSEMBLY
KEY OPTION K SHOWN



PAGE TITLE
KEY ID REF - WIRE DRESS OPTION 0

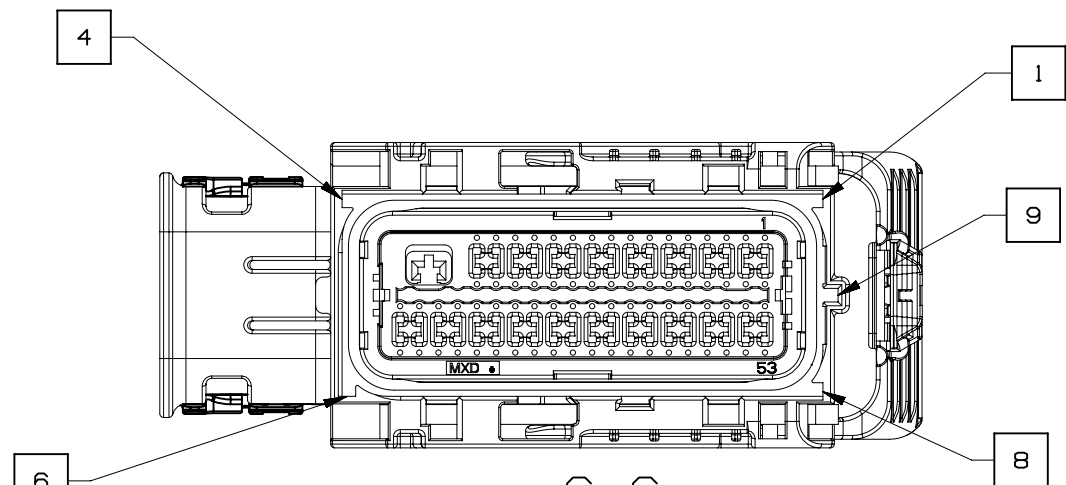
DRAWING NUMBER
12672833

DWG STATUS			PAGE NUMBER	
ST	REV	PD1	11	OF 22
R	001			

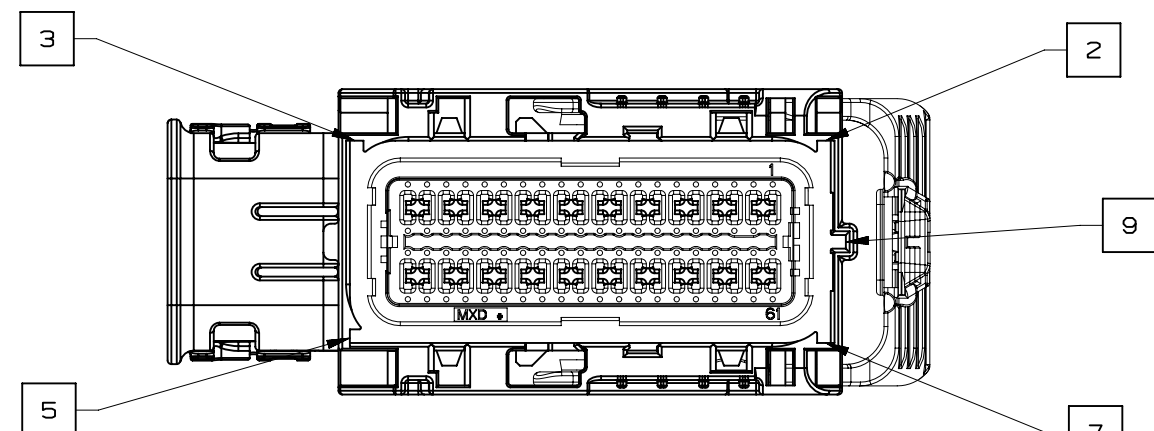


NOTE: REFERENCE THE COMPONENT TABLE FOR KEY OPTIONS AND CONFIGURATIONS

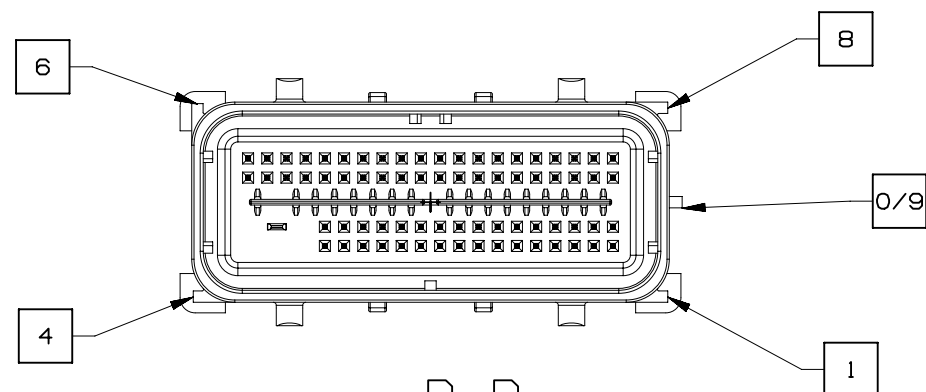
INTERFACE SIDE SHOWN ON ALL SECTION VIEWS



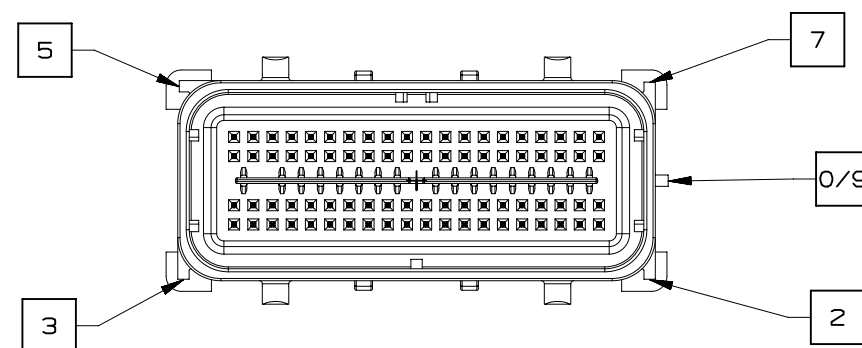
SECTION C-C
73 CKT HARNESS CONNECTOR ASSEMBLY
KEY OPTION B SHOWN



SECTION C-C
80 CKT HARNESS CONNECTOR ASSEMBLY
KEY OPTION K SHOWN



SECTION D-D
73 CKT HARNESS CONNECTOR ASSEMBLY
KEY OPTION B SHOWN



SECTION D-D
80 CKT HARNESS CONNECTOR ASSEMBLY
KEY OPTION K SHOWN

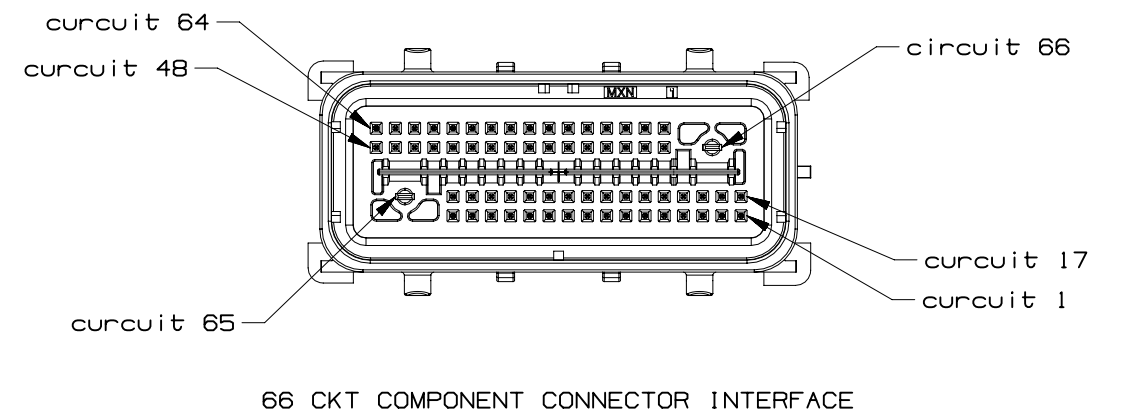
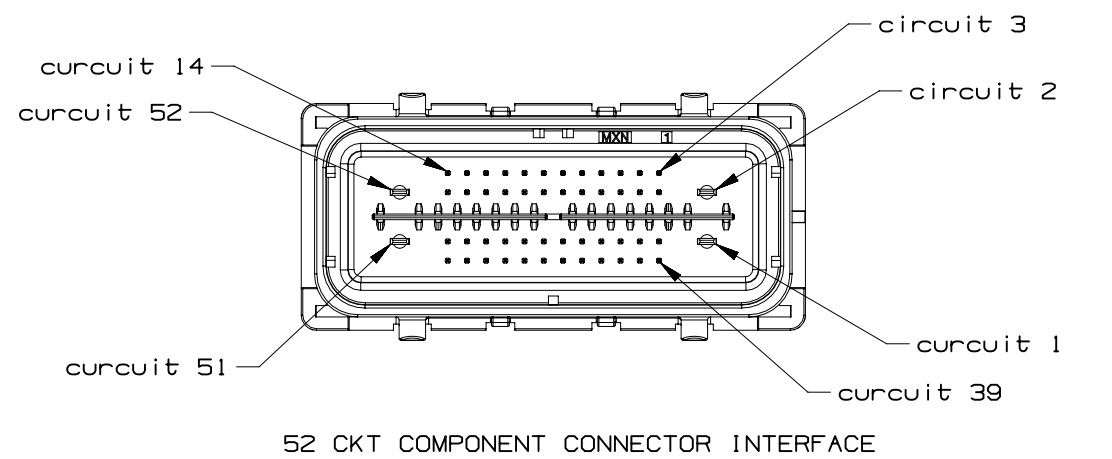
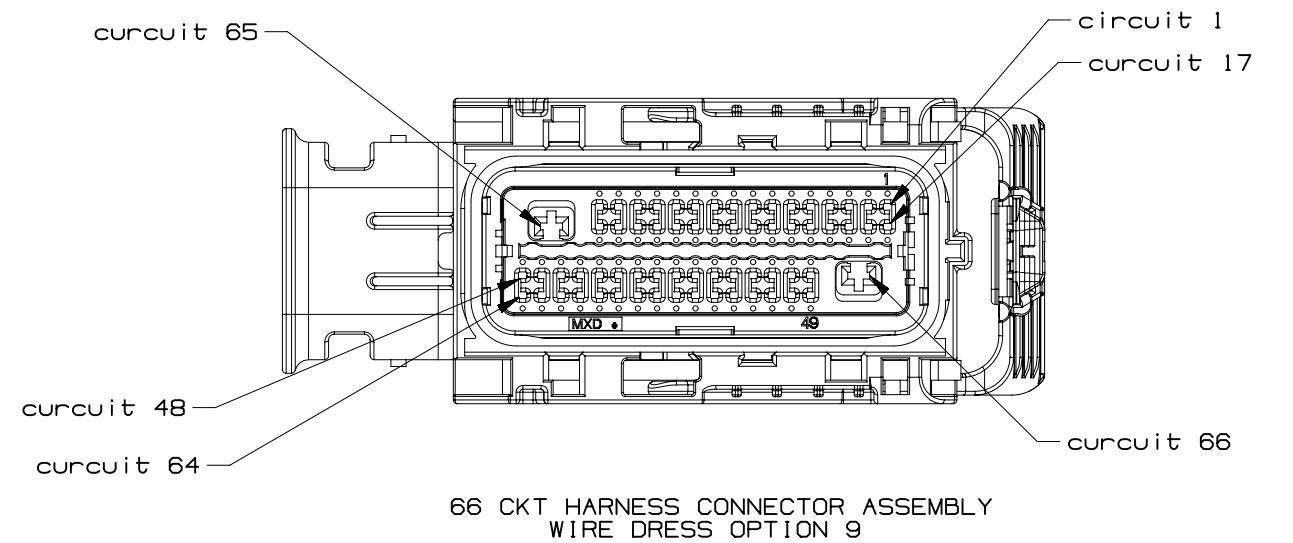
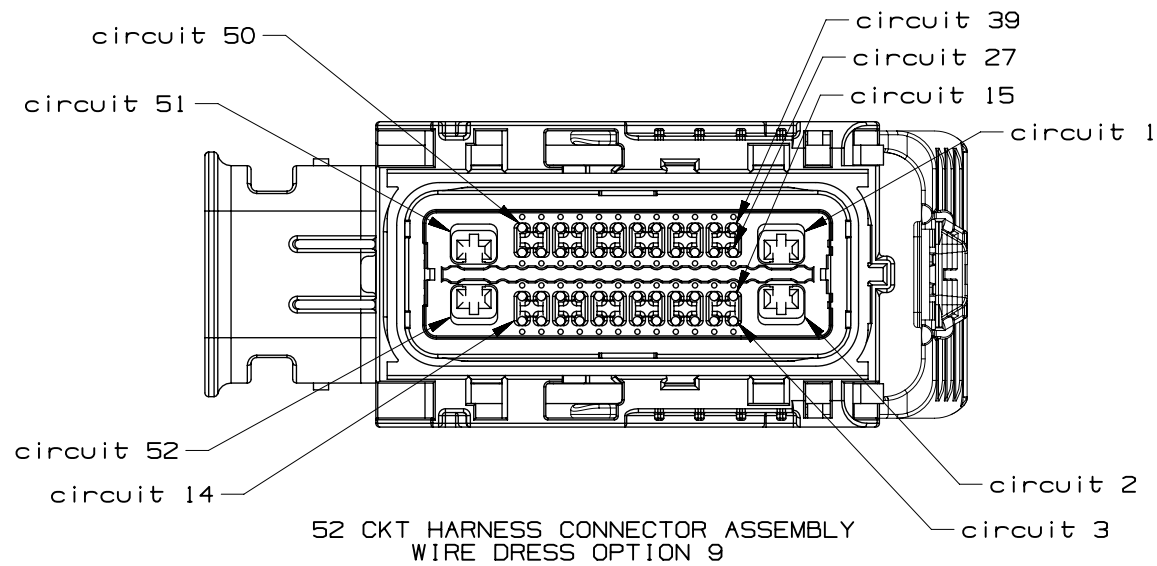
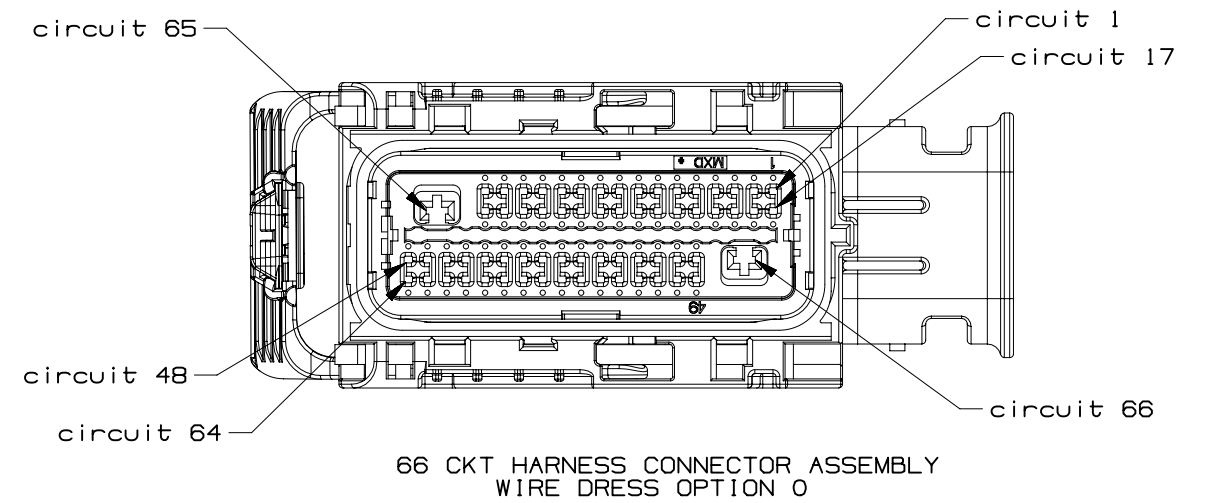
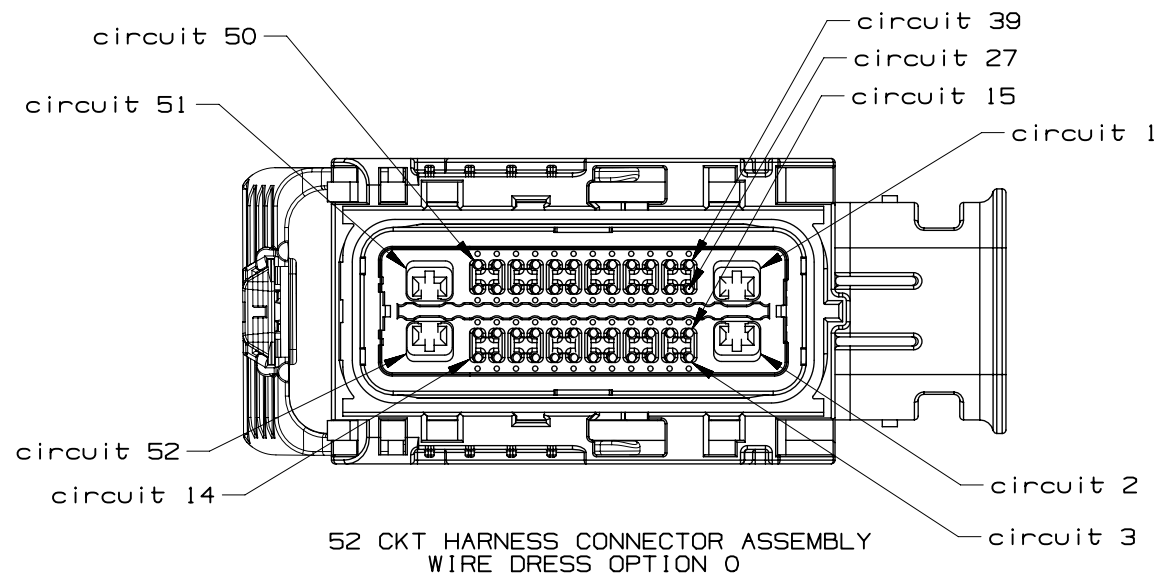


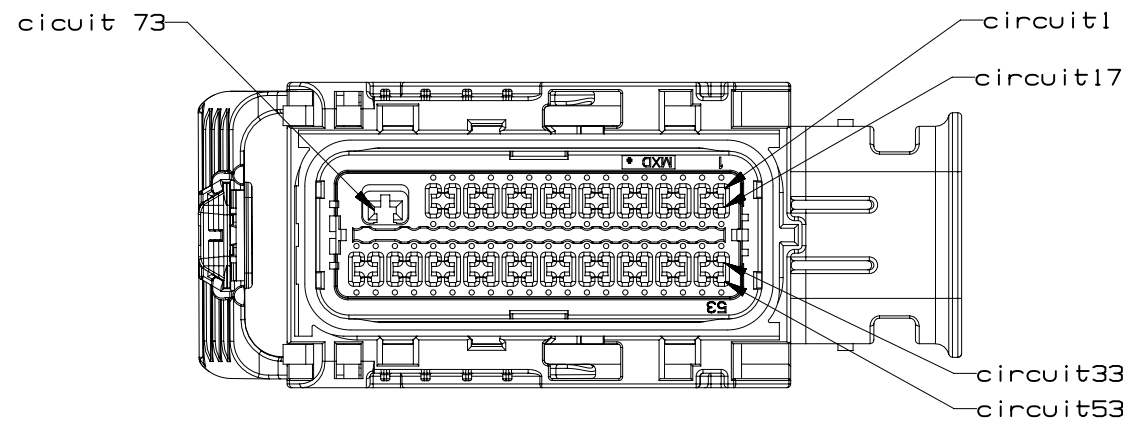
PAGE TITLE
KEY ID REF - WIRE DRESS OPTION 9

DRAWING NUMBER
12672833

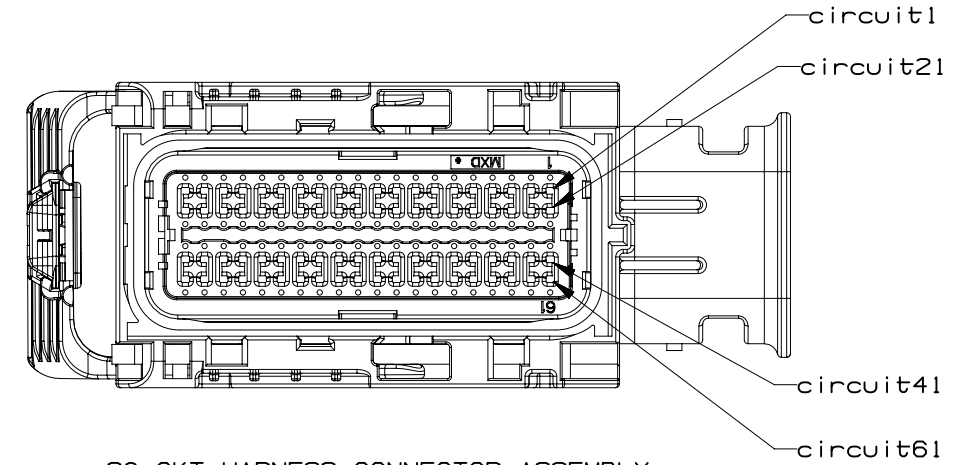
DWG STATUS		
ST	REV	PD1
R	001	

PAGE NUMBER
12 OF 22



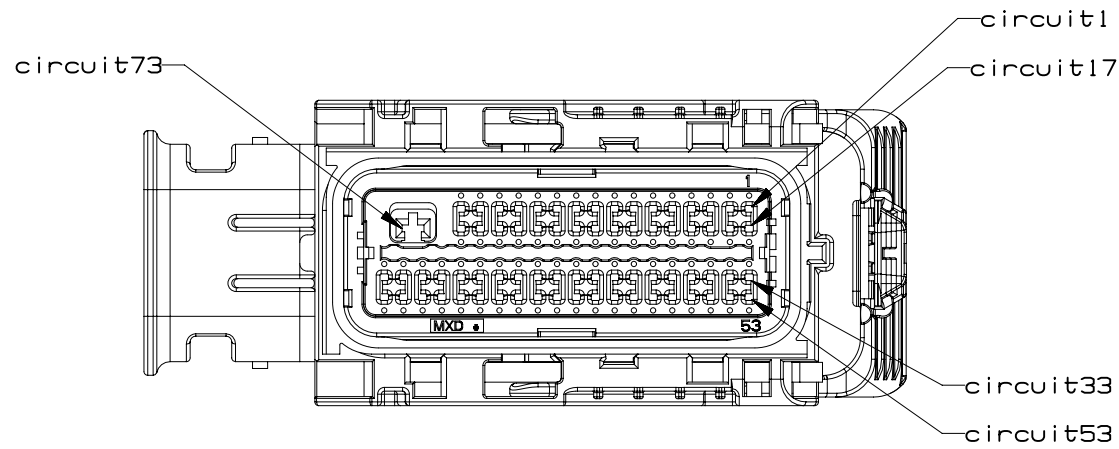


73 CKT HARNESS CONNECTOR ASSEMBLY
WIRE DRESS OPTION 0

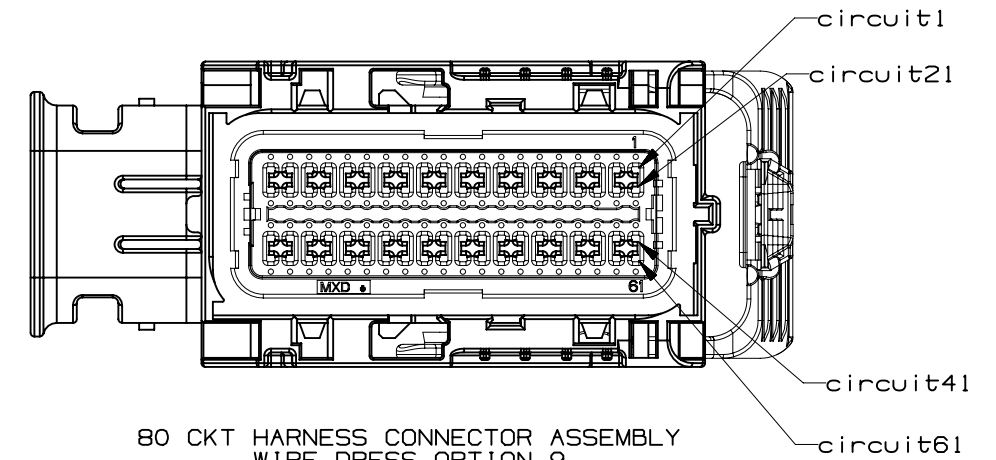


80 CKT HARNESS CONNECTOR ASSEMBLY
WIRE DRESS OPTION 0

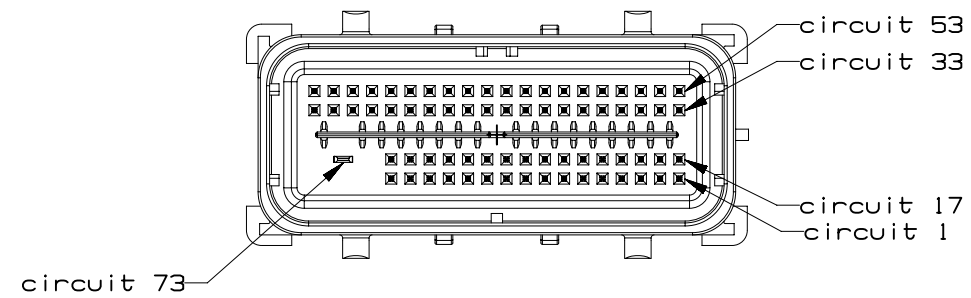
INTERFACE SIDE SHOWN ON ALL VIEWS



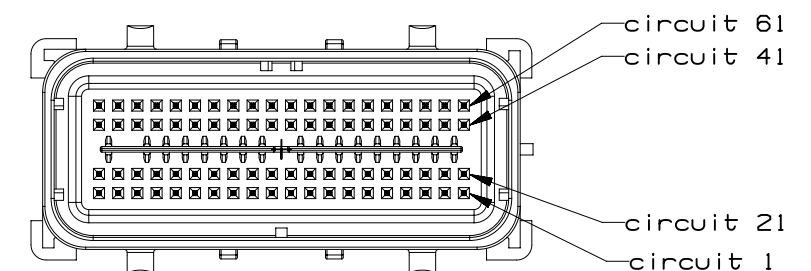
73 CKT HARNESS CONNECTOR ASSEMBLY
WIRE DRESS OPTION 9



80 CKT HARNESS CONNECTOR ASSEMBLY
WIRE DRESS OPTION 9

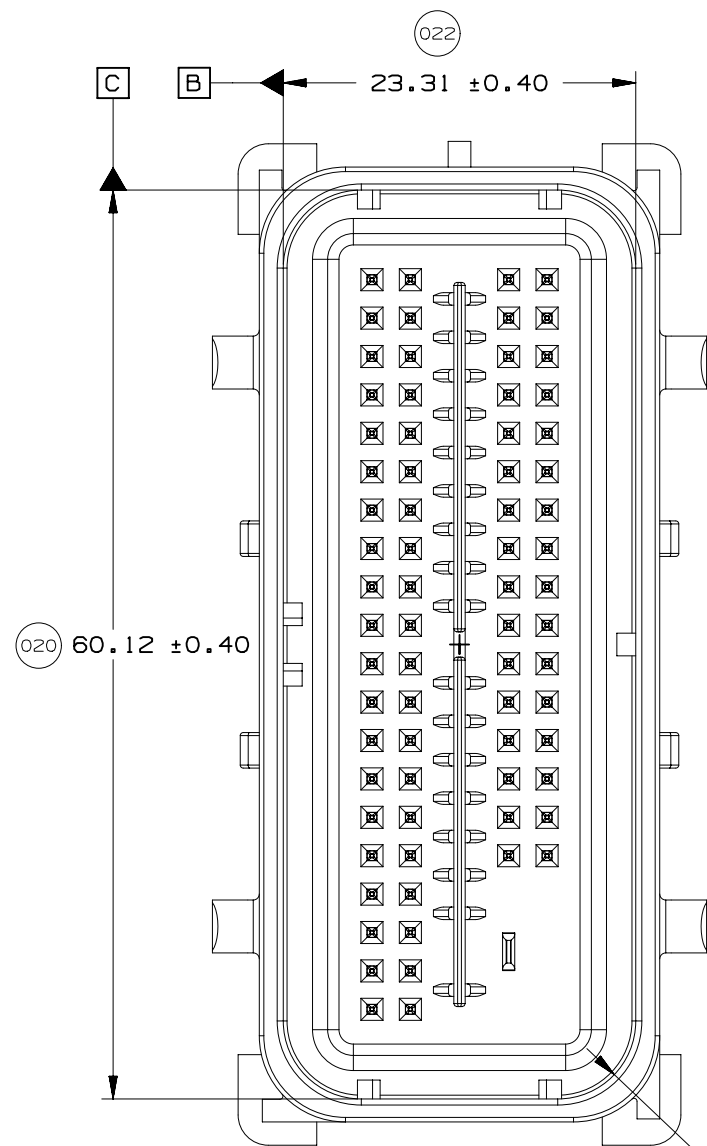
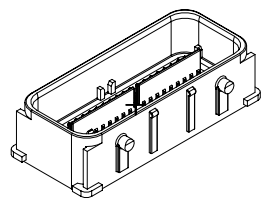


73 CKT COMPONENT CONNECTOR INTERFACE

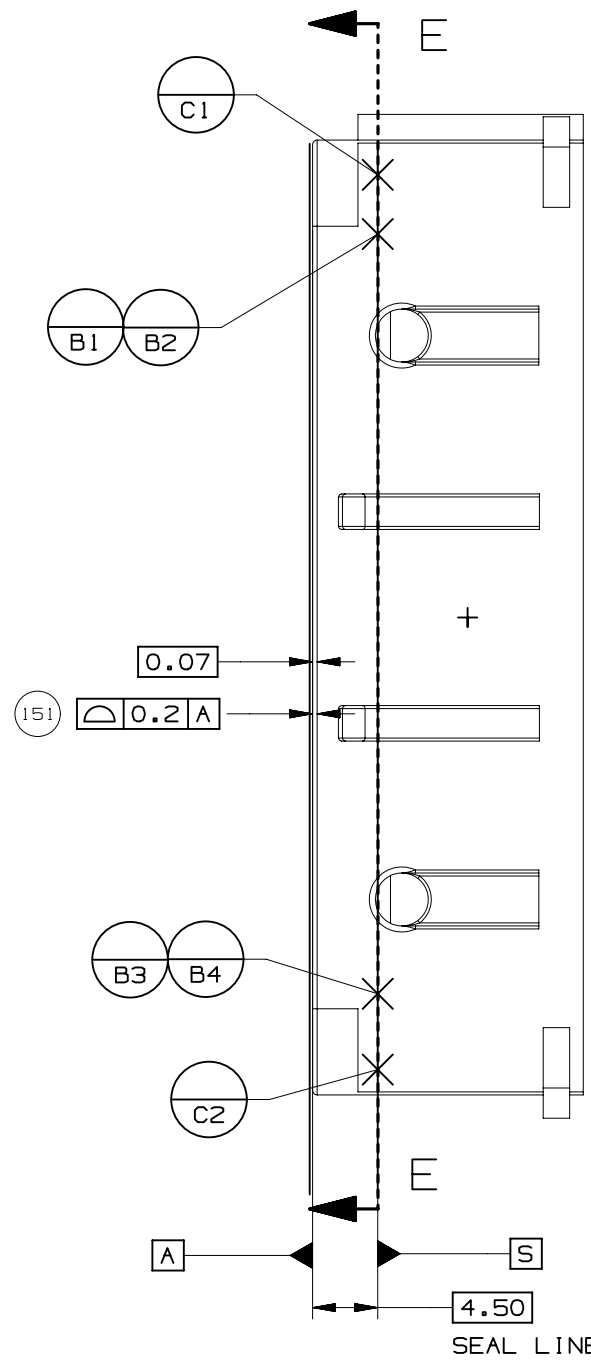


80 CKT COMPONENT CONNECTOR INTERFACE

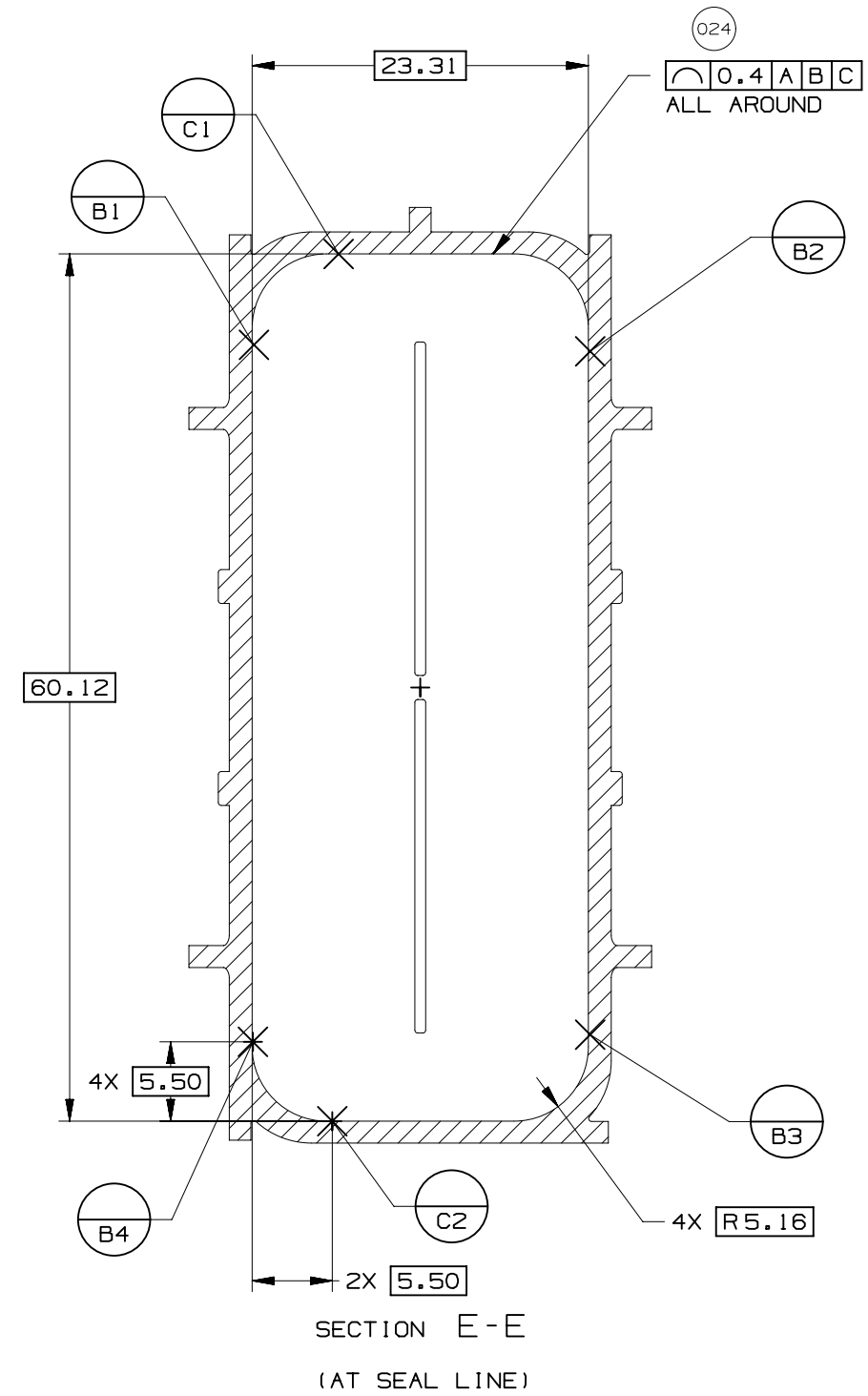




4X R5.16 ± 0.30



SEAL LINE



SECTION E-E
(AT SEAL LINE)

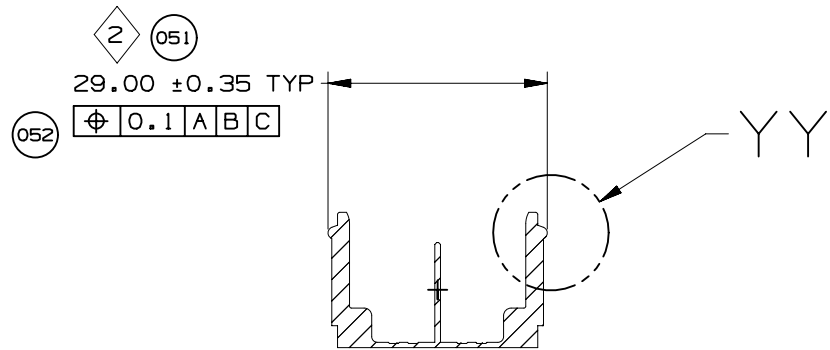
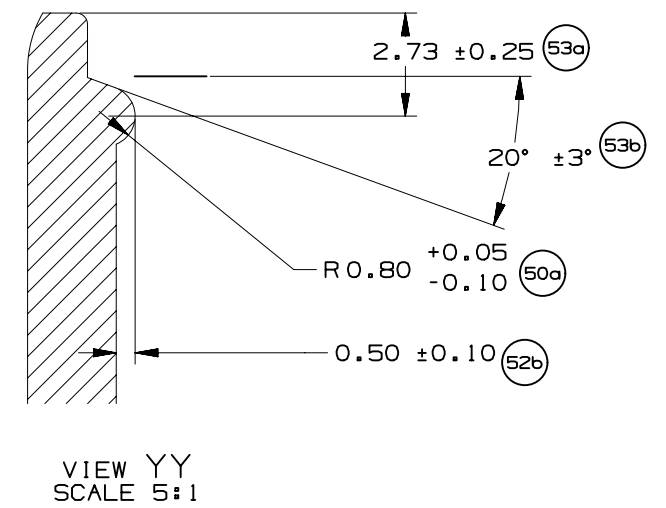
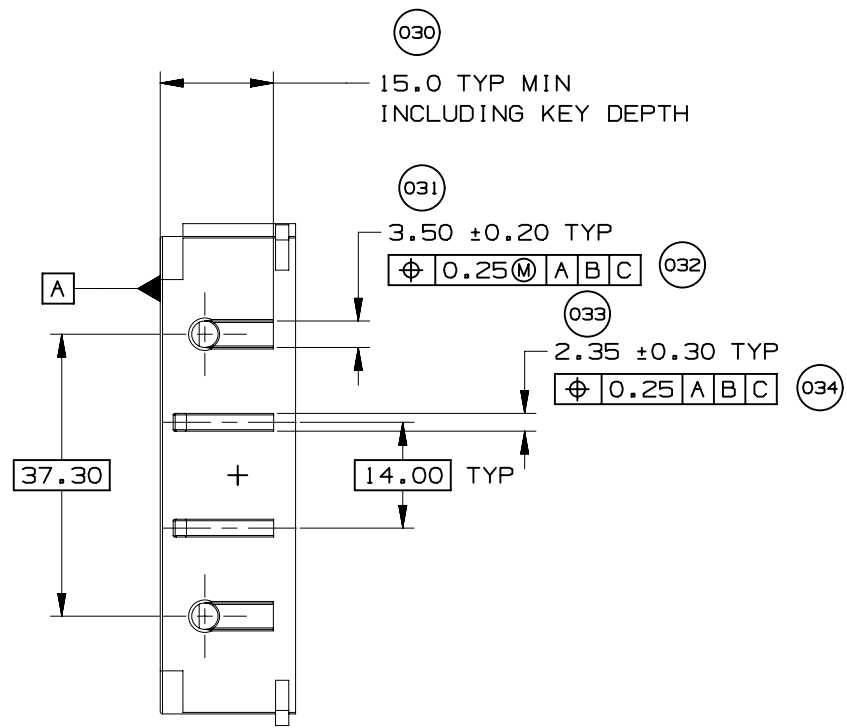
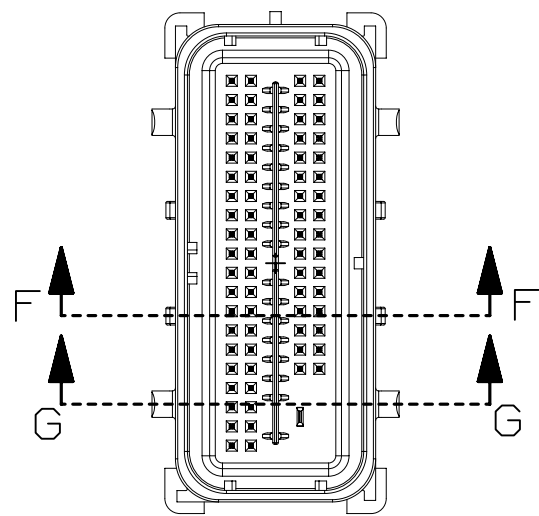
UNLESS SPECIFIED, TOLERANCE OF THE COMPONENT CONNECTOR INTERFACE TO BE $\sqrt[0.13]{A B C}$



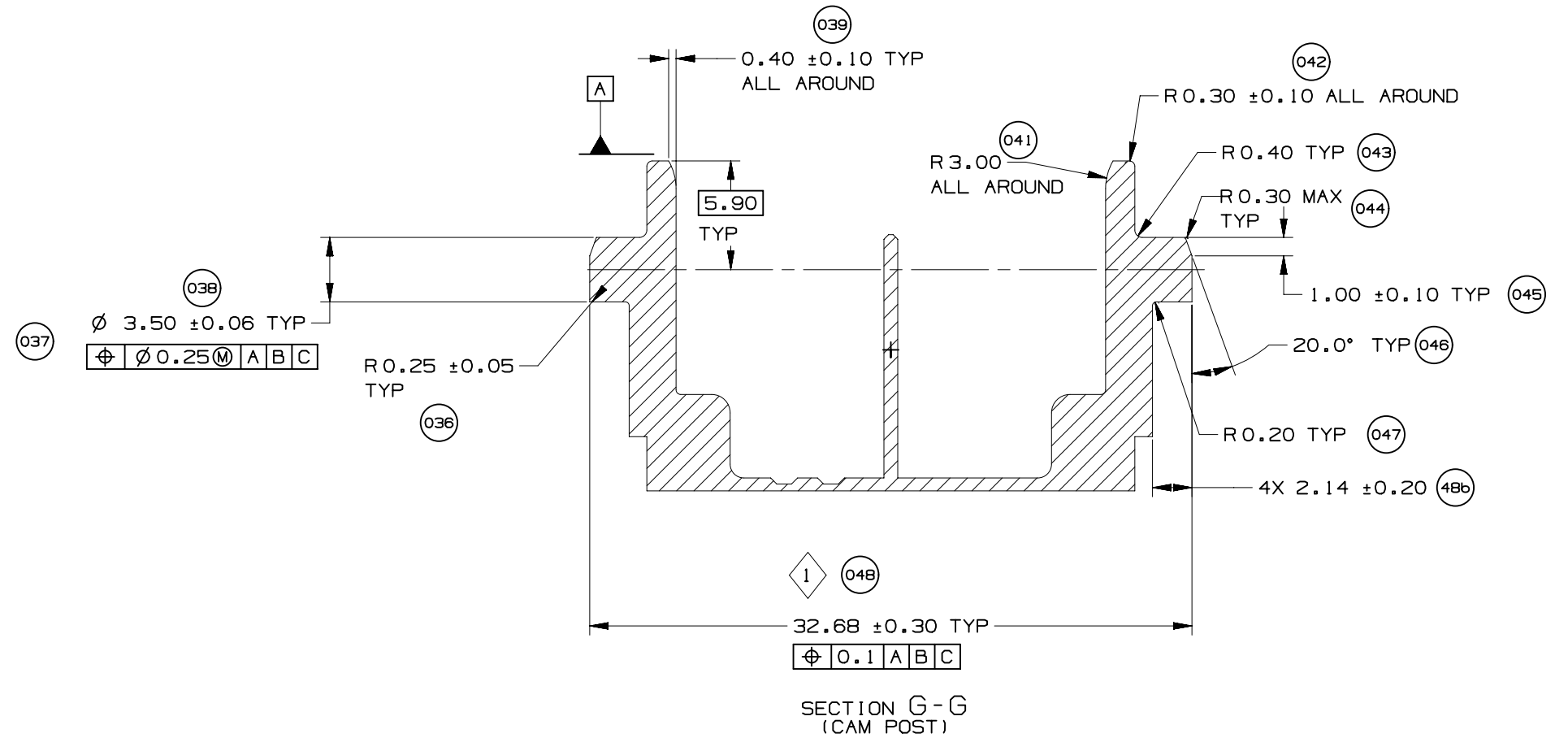
PAGE TITLE
COMPONENT CONNECTOR INTERFACE

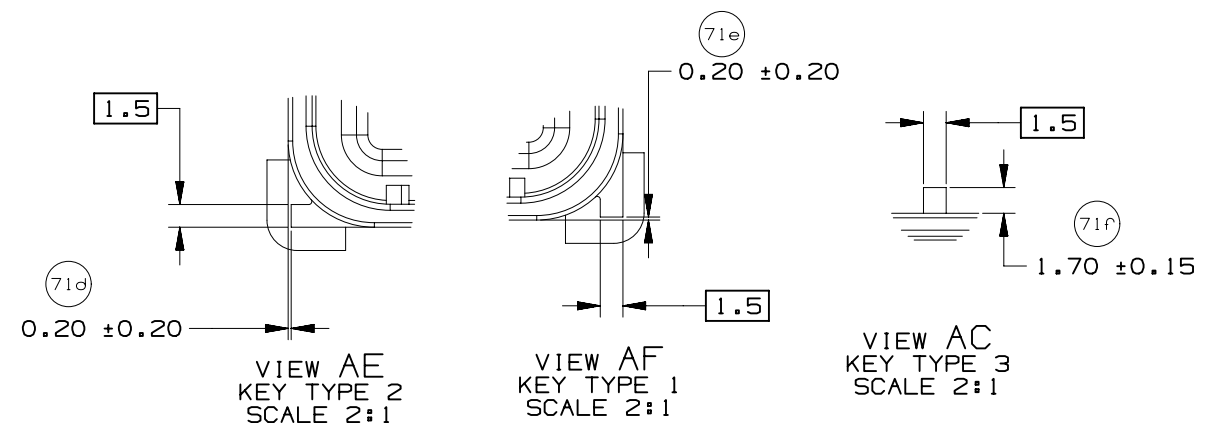
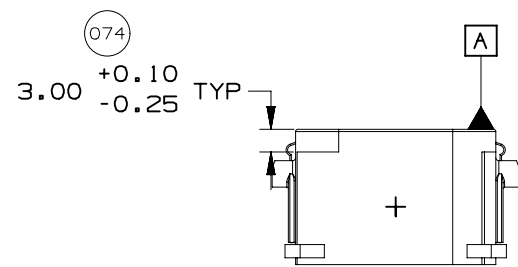
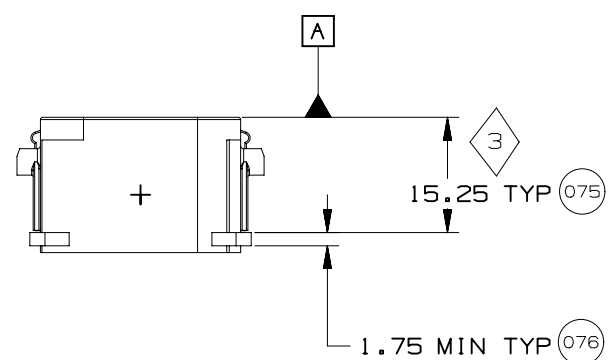
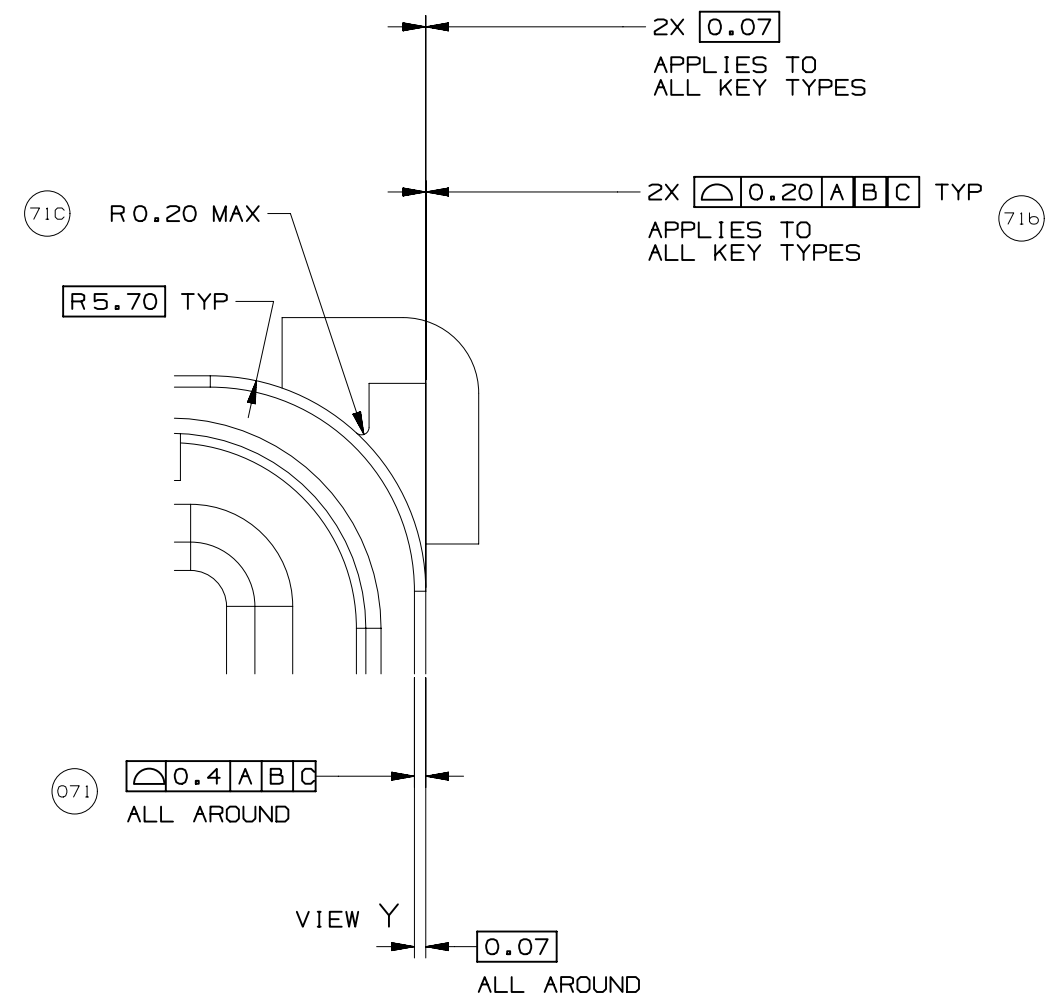
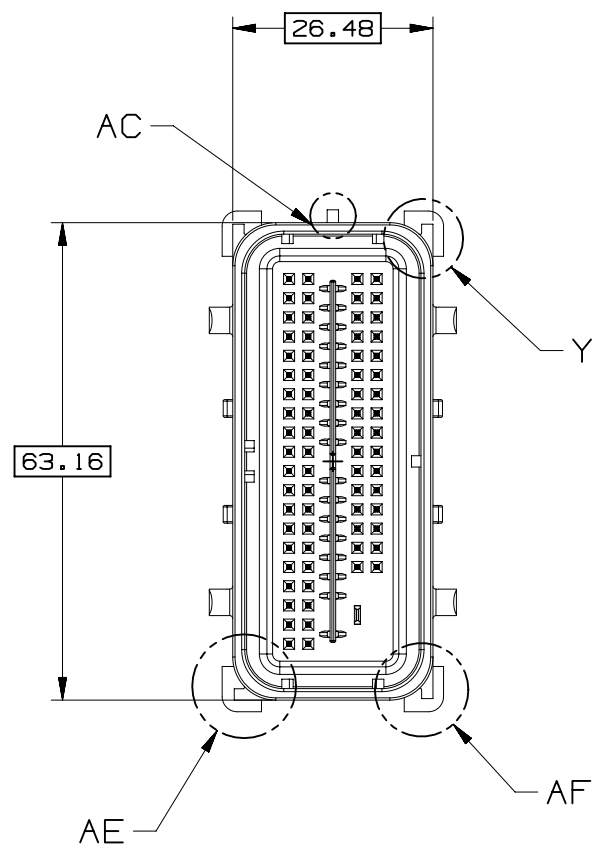
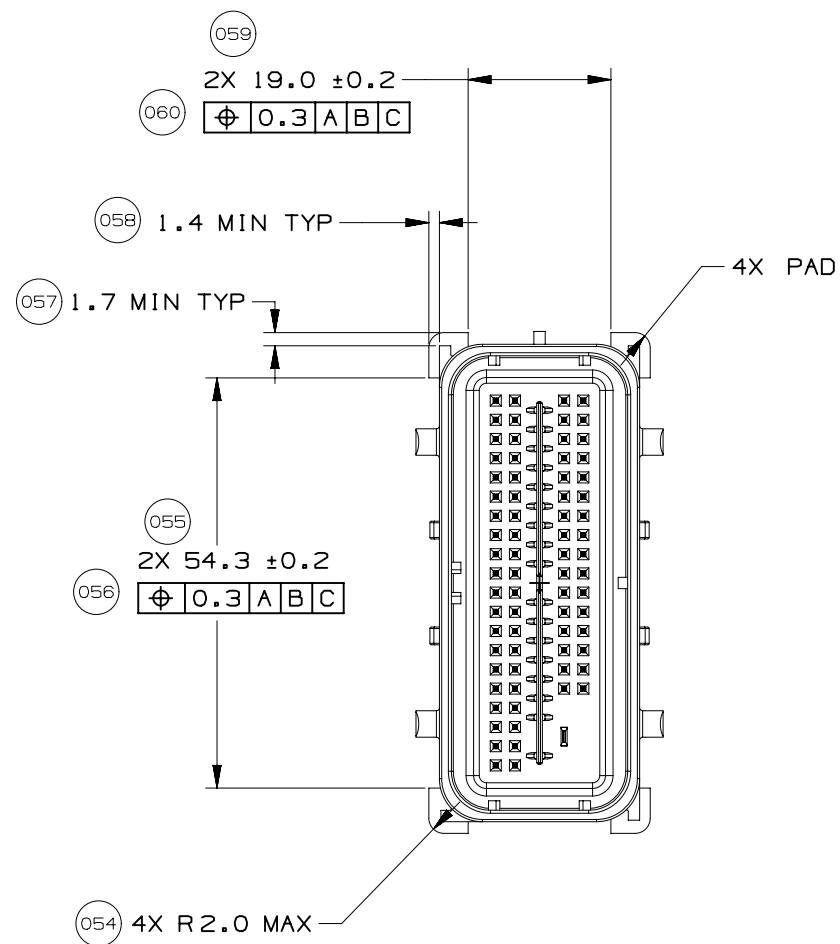
DRAWING NUMBER
12672833

DWG STATUS			PAGE NUMBER
ST	REV	PD1	
R	001		15 OF 22



SECTION F-F
(RELEASE FEATURE)

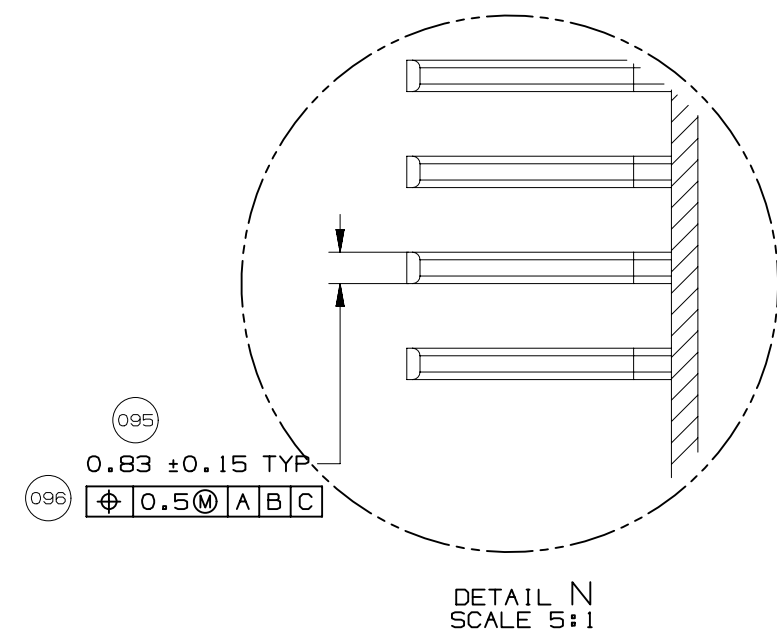
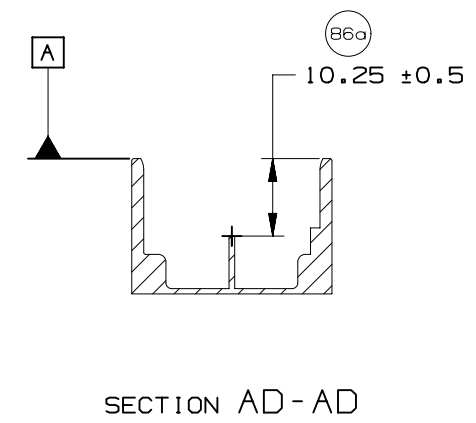
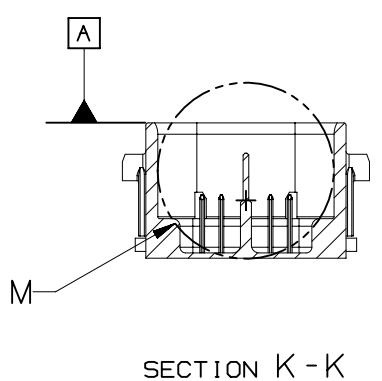
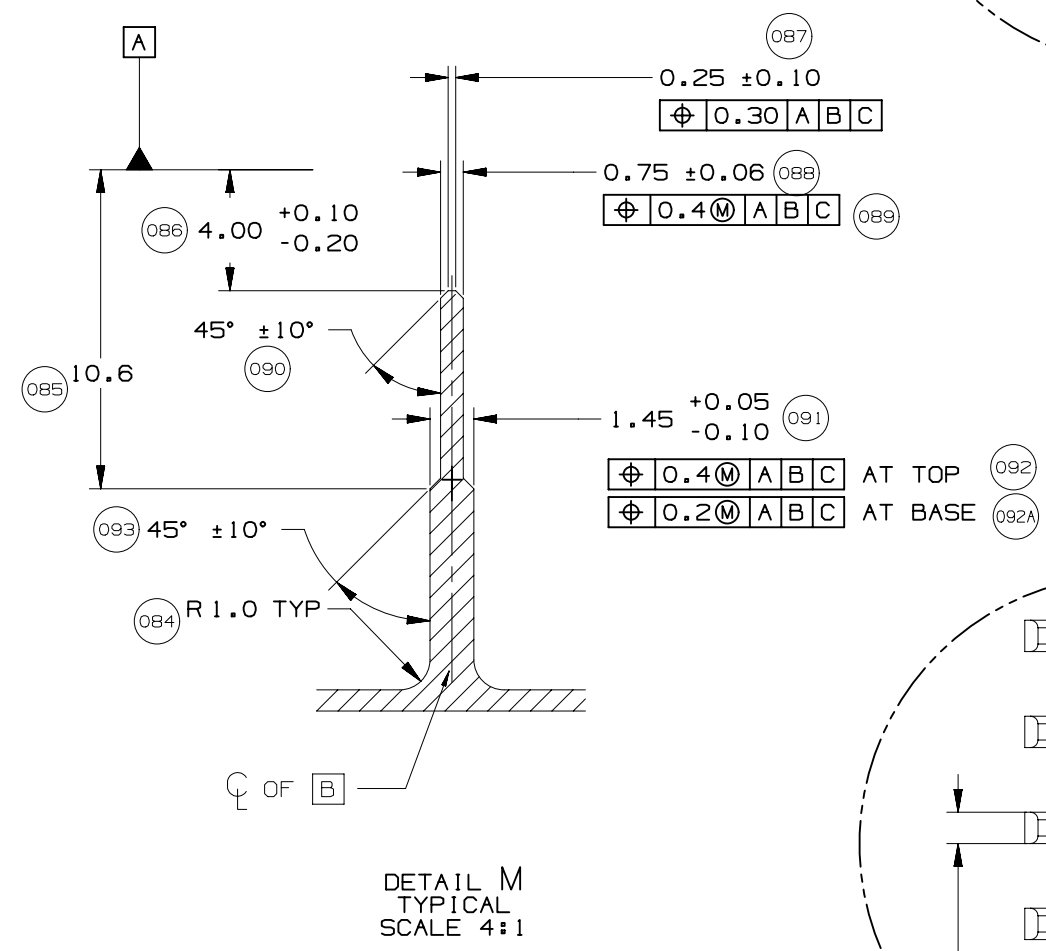
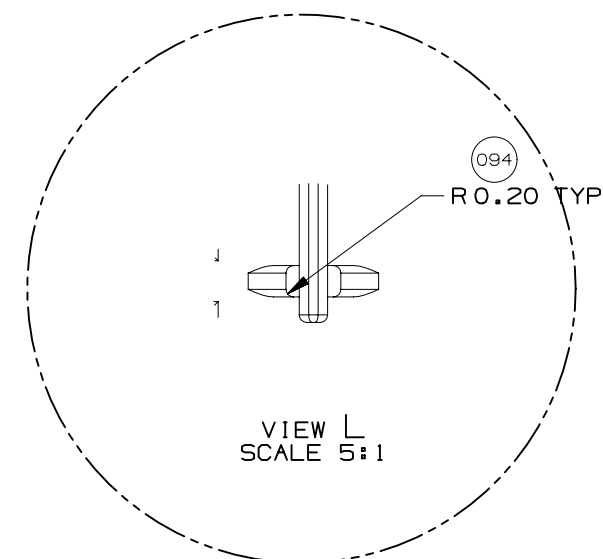
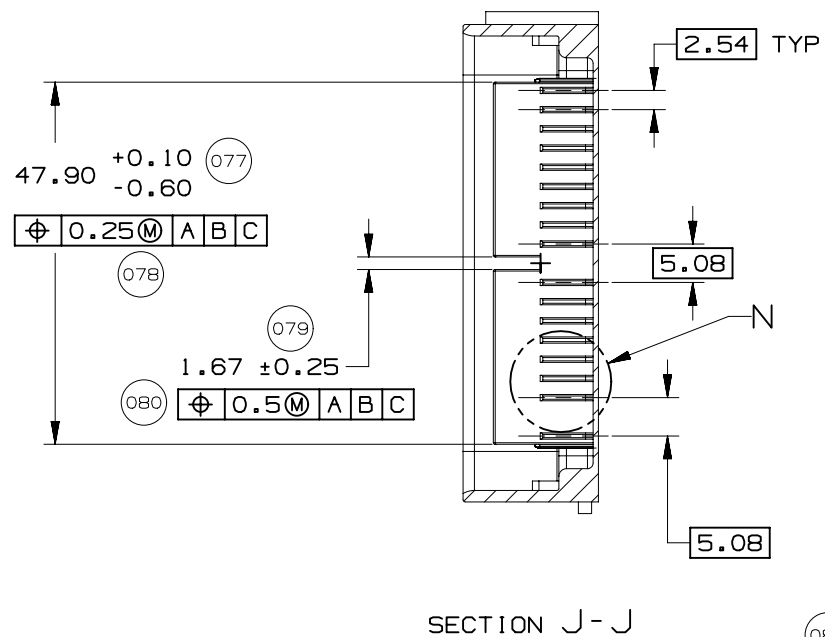
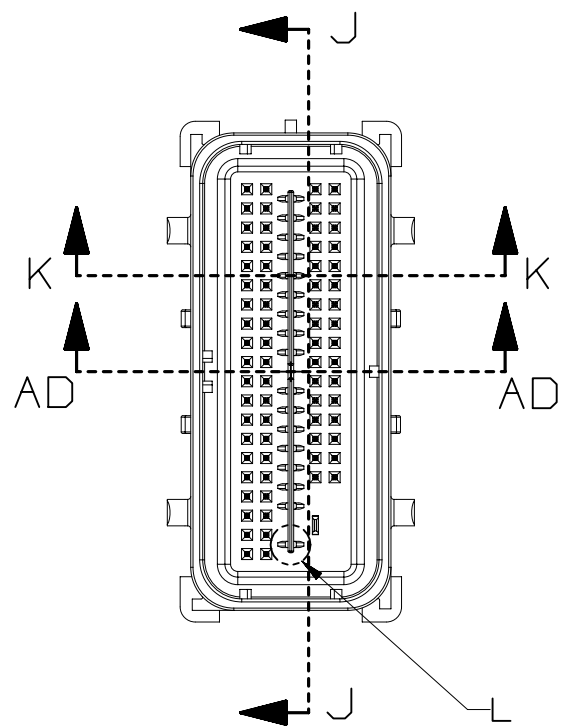


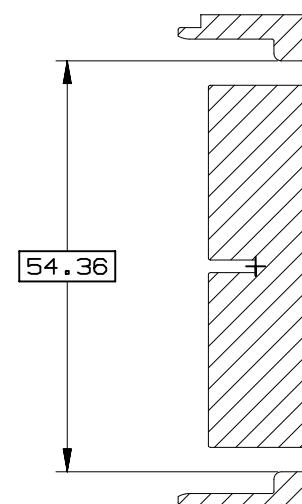
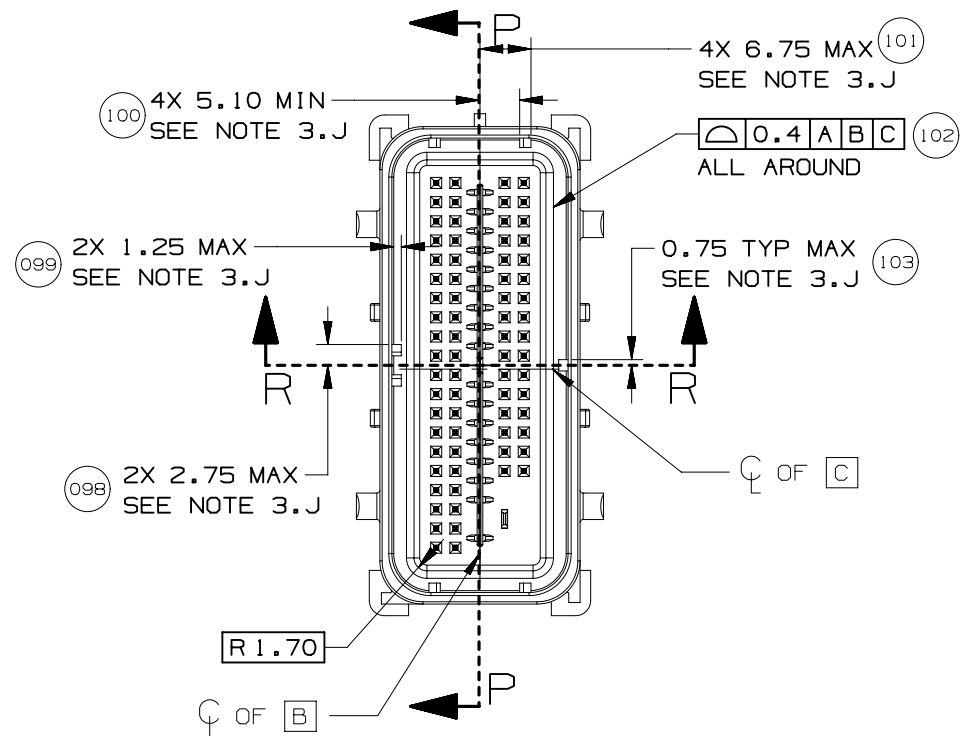


PAGE TITLE
 COMPONENT CONNECTOR INTERFACE

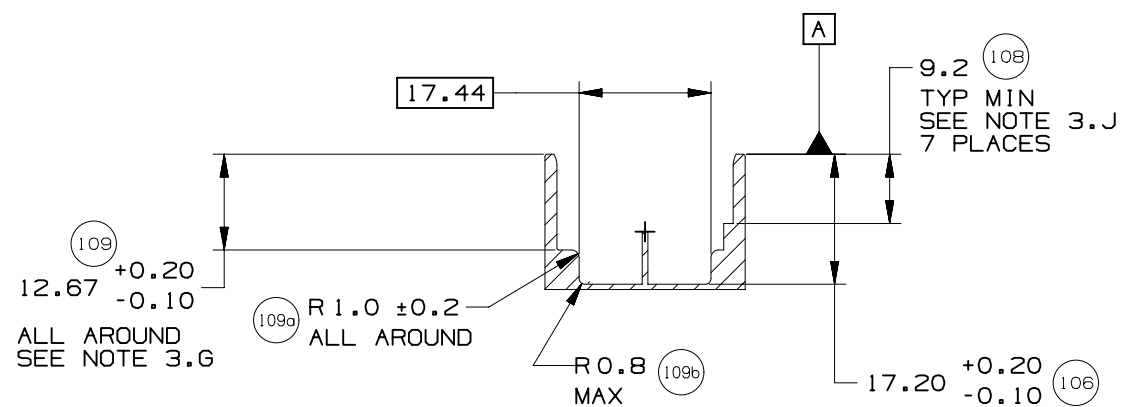
DRAWING NUMBER
 12672833

DWG STATUS			PAGE NUMBER	
ST	REV	PD1		
R	001		17	OF 22





SECTION P-P



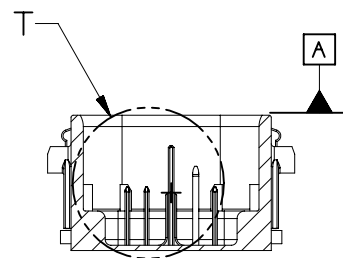
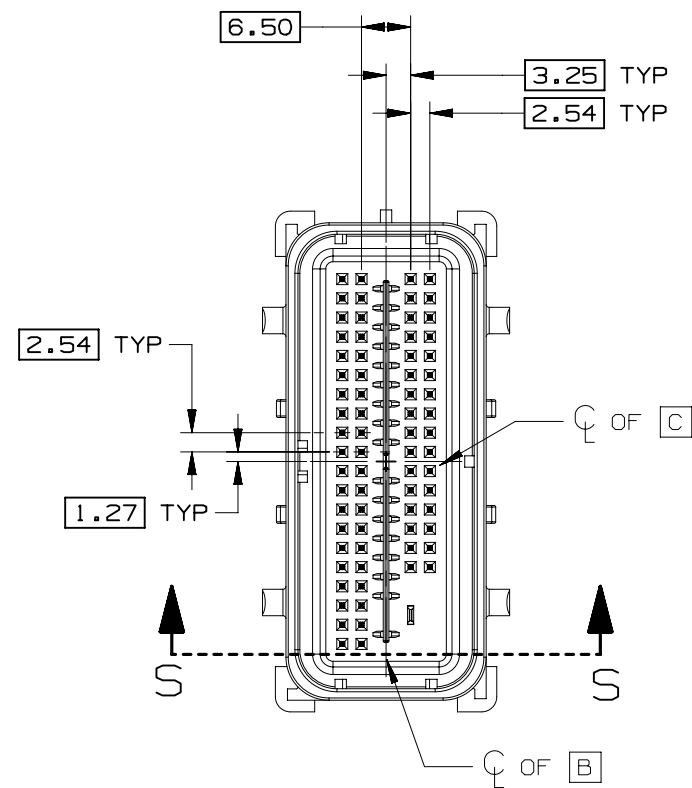
SECTION R-R



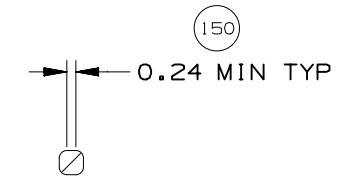
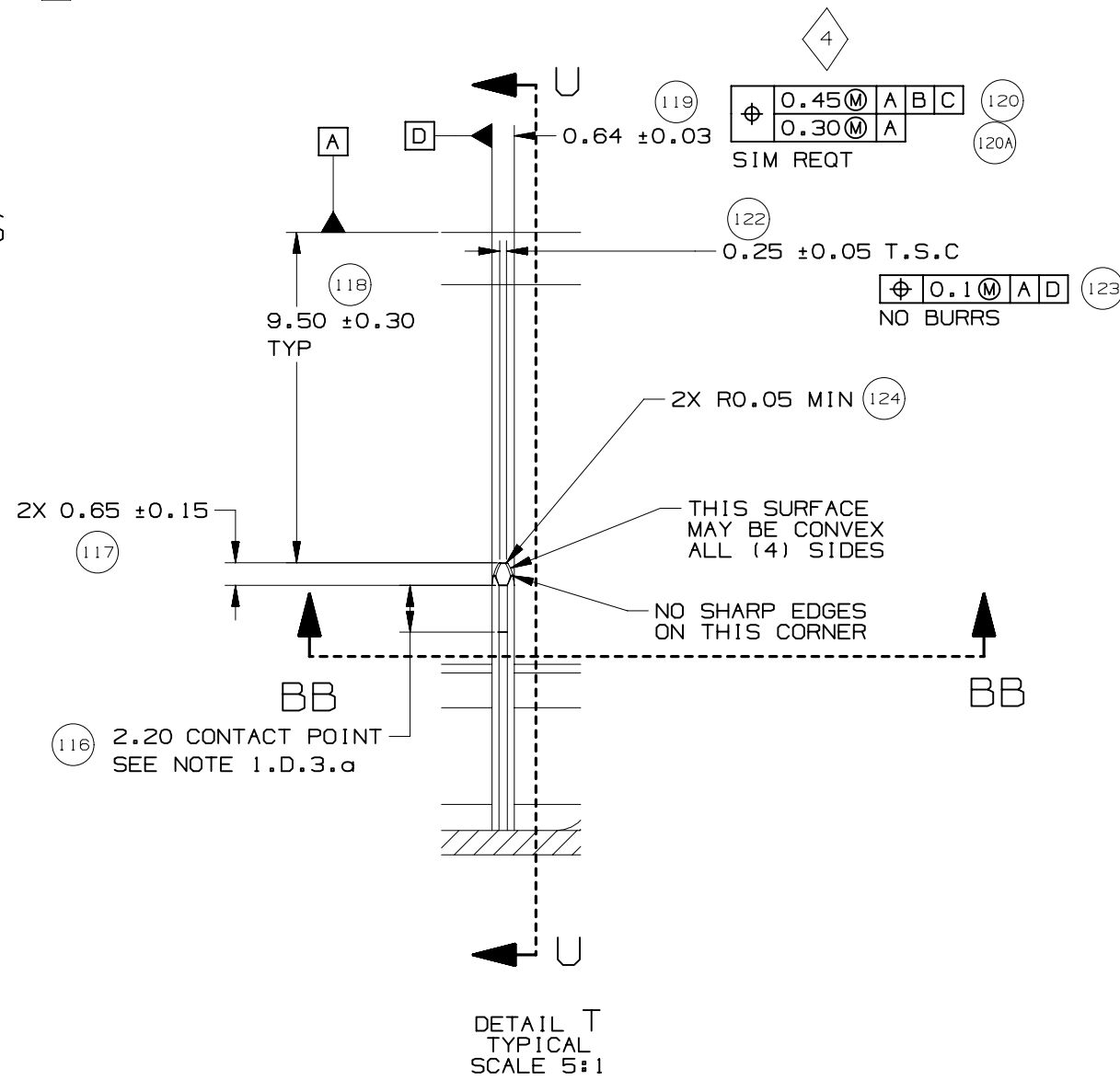
PAGE TITLE
COMPONENT CONNECTOR INTERFACE

DRAWING NUMBER
12672833

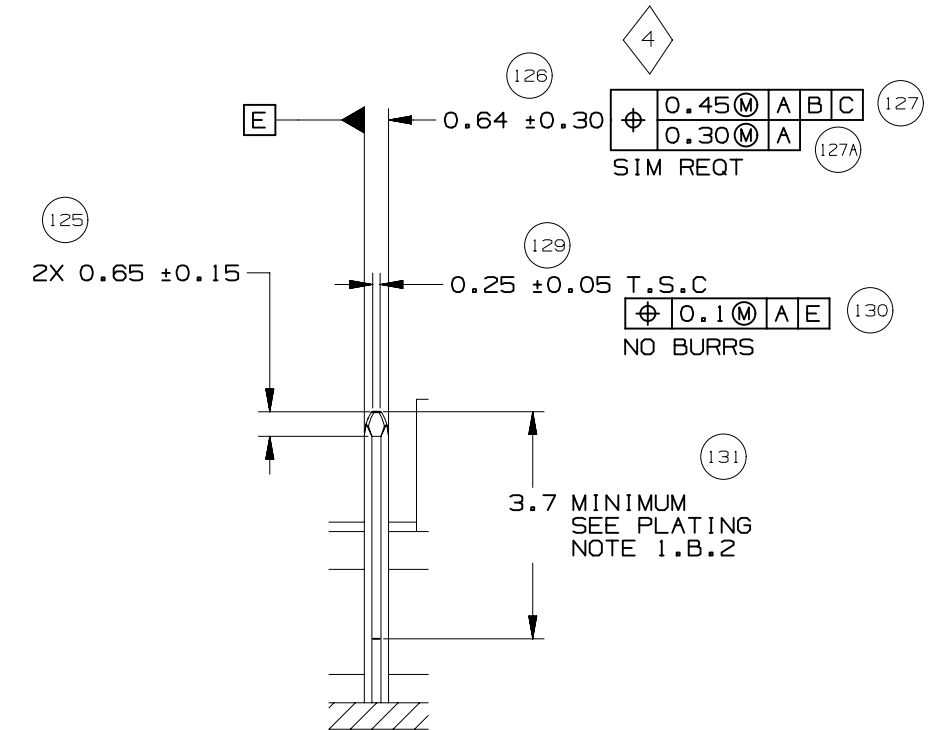
DWG STATUS			PAGE NUMBER	
ST	REV	PD1	19	OF 22
R	001			



SECTION S-S

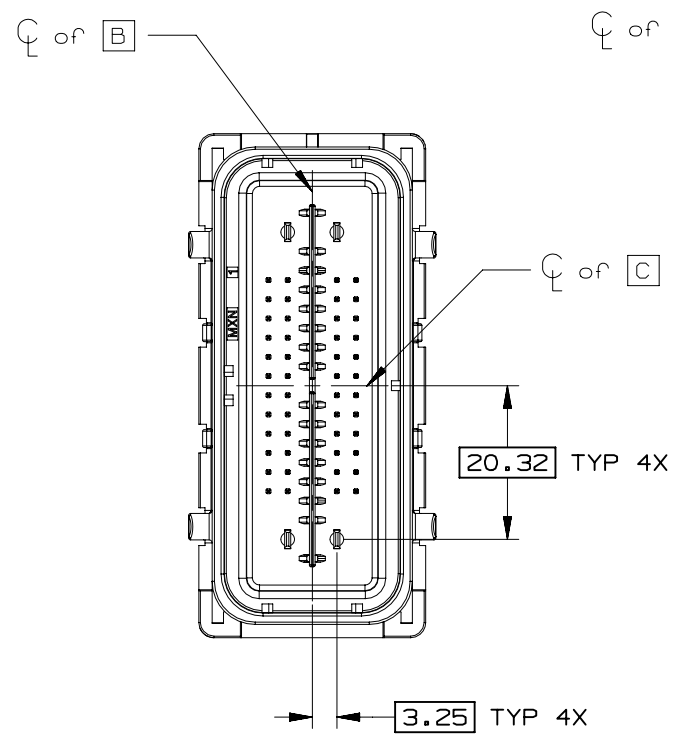


SECTION BB-BB

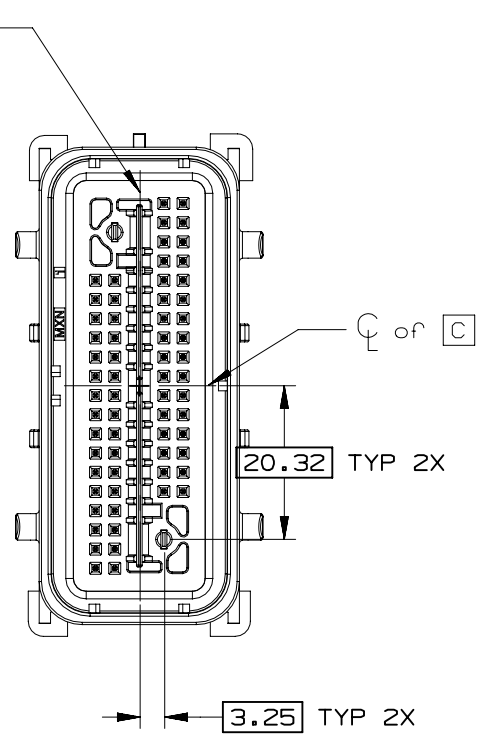


SECTION U-U
TYPICAL

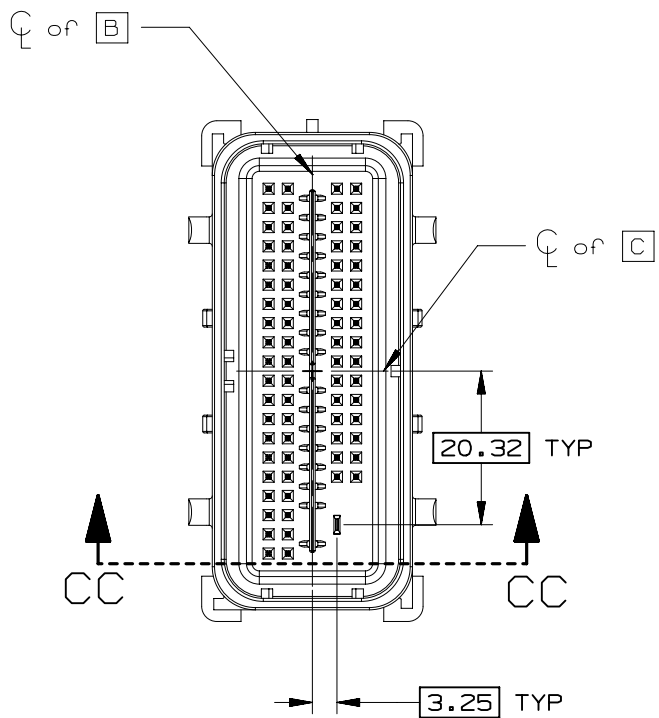




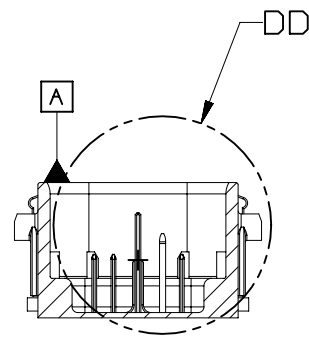
52 CKT COMPONENT
CONNECTOR INTERFACE



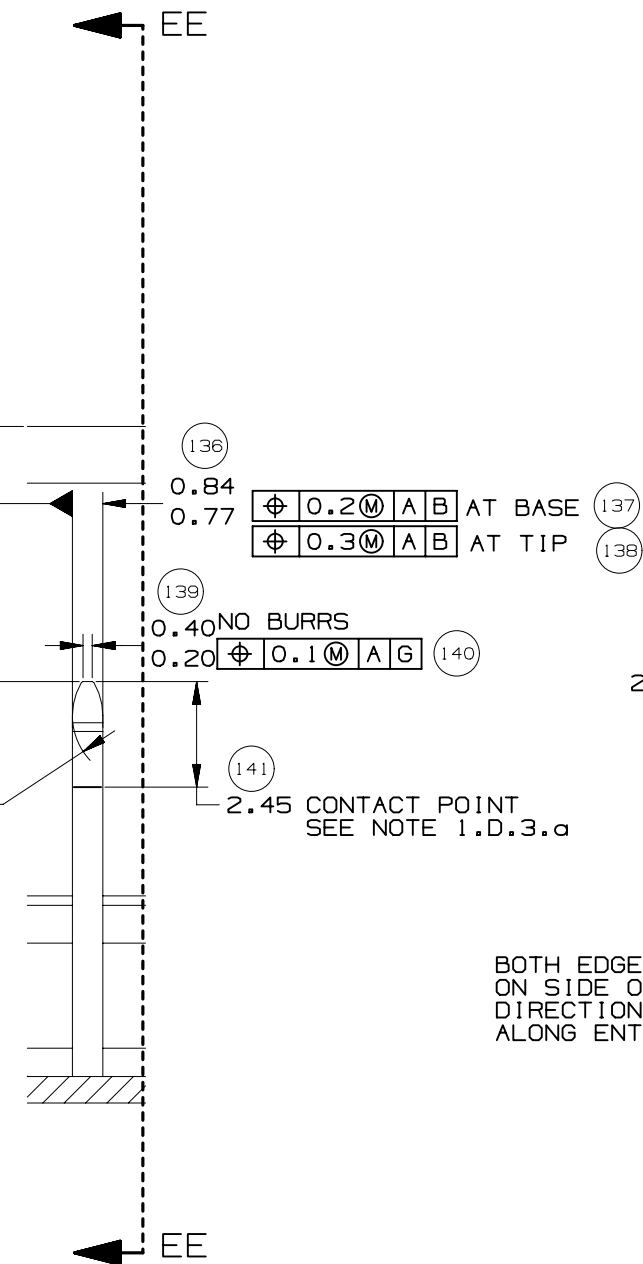
66 CKT COMPONENT
CONNECTOR INTERFACE



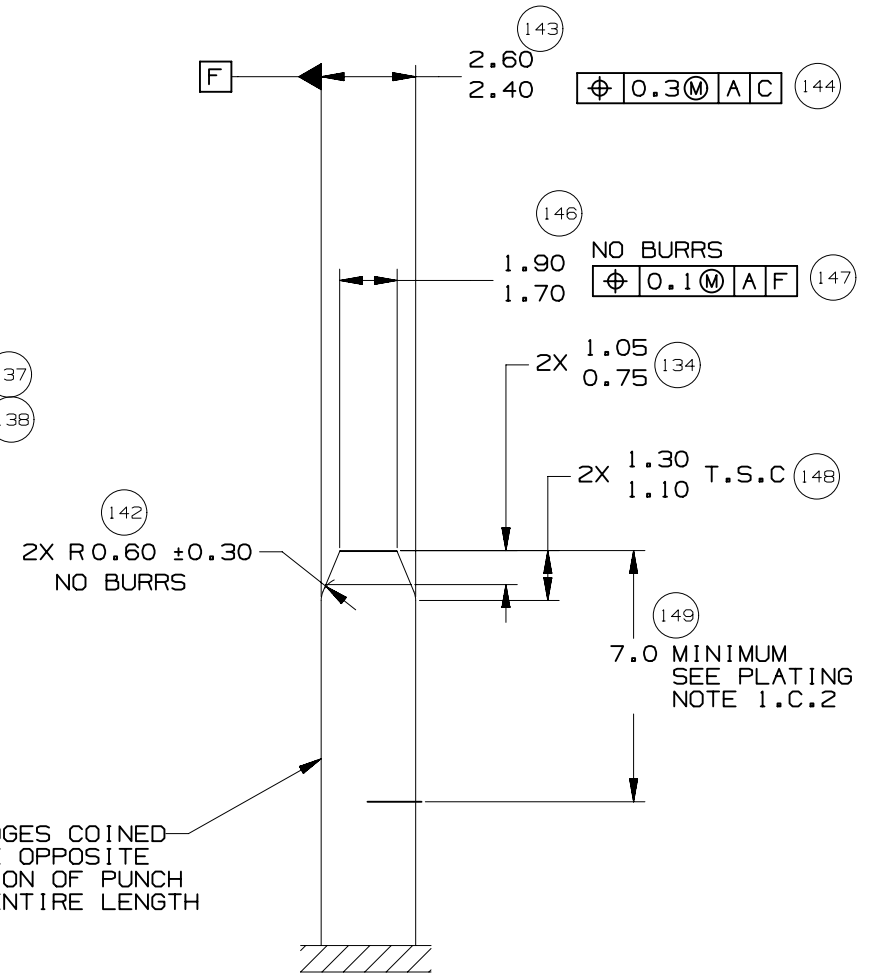
73 CKT COMPONENT
CONNECTOR INTERFACE



SECTION CC-CC



DETAIL DD
TYPICAL
SCALE 5:1



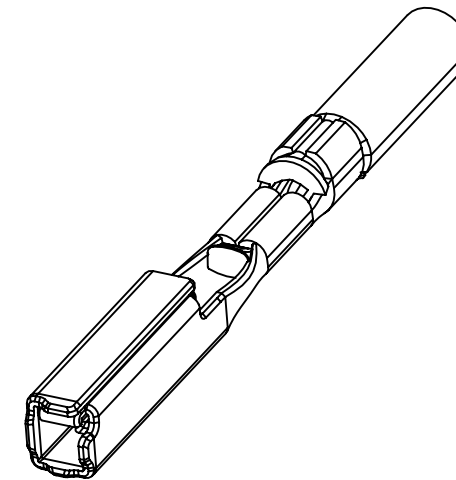
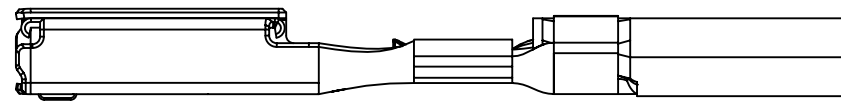
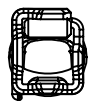
SECTION EE-EE
TYPICAL

BOTH EDGES COINED
ON SIDE OPPOSITE
DIRECTION OF PUNCH
ALONG ENTIRE LENGTH



MOLEX MX64 RECEPTACLE TERMINAL INFORMATION

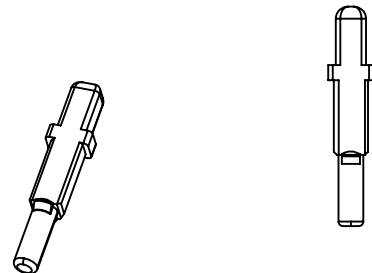
ITEM	MOLEX P/N	GM P/N	WIRE SIZE MM2	TYPE	PLATING	REEL WIND DIRECTION	COMMENTS
1	34736-0025		0.35	ISO	SILVER	LEFT	
2	34736-0026	12672850	0.35	ISO	SILVER	RIGHT	
3	34736-0027		0.5 / 0.75	ISO	SILVER	LEFT	
4	34736-0028	12672851	0.5 / 0.75	ISO	SILVER	RIGHT	



CAVITY PLUGS

ITEM	MFG	MFG P/N	GM P/N RD	SIZE	COLOR	MFG DRAWING	PROD SPEC	APP SPEC	COMMENTS
1	MOLEX	34586-0001	12674820	0.64	NATURAL	SD-34586-001	PS-34566-0000	AS-34566-001	
2	YAZAKI	7158-3114-90	12674821	2.8	BLUE	7158-3114-90	YPES-11-04-062	YPES-15-299	

ITEM 1



ITEM 2

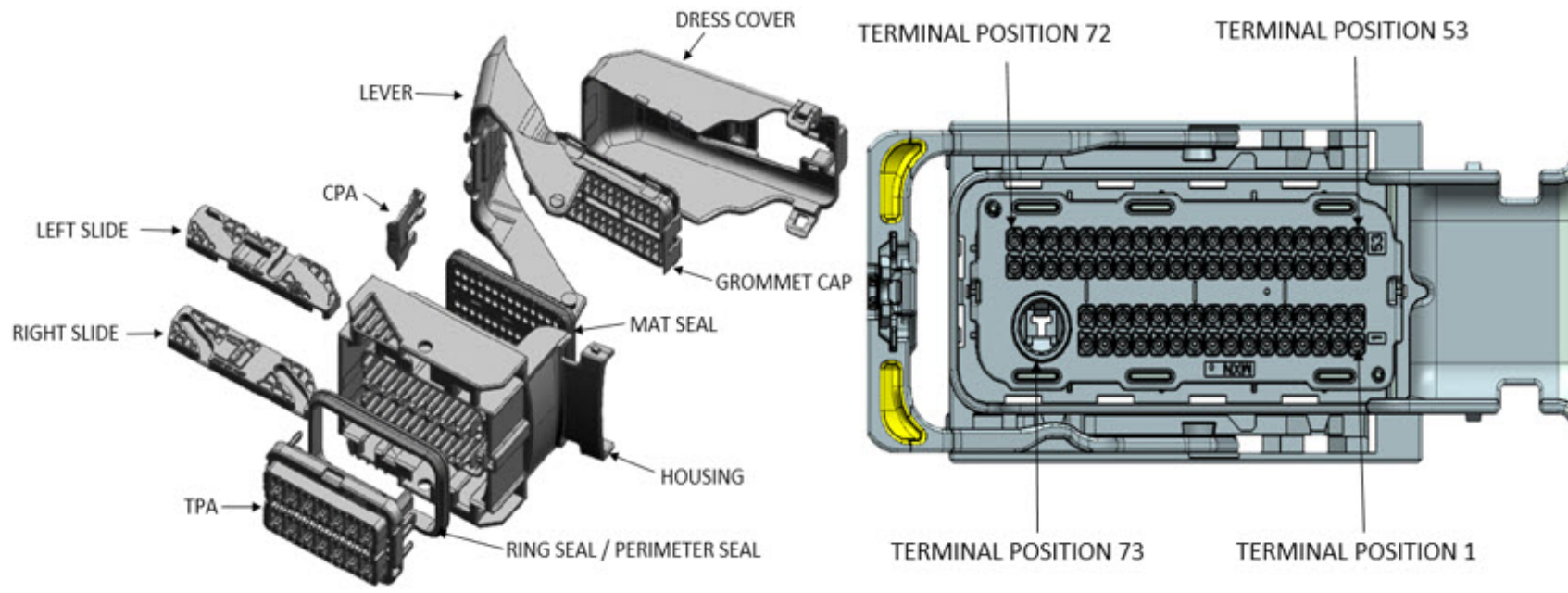


PAGE TITLE
ADDITIONAL COMPONENTS REQUIRED

DRAWING NUMBER
12672833

DWG STATUS		
ST	REV	PD1
R	001	

PAGE NUMBER
22 OF 22



ABBREVIATION	DESCRIPTION	COLOR	MATERIAL
G-CAP-0-P	GROMMET CAP OPTION 0 PLUGGED	BLACK	SPS/PA, G.F 30%
G-CAP-0-O	GROMMET CAP OPTION 0 ALL OPEN	BLACK	SPS/PA, G.F 30%
G-CAP-9-P	GROMMET CAP OPTION 9 PLUGGED	BLACK	SPS/PA, G.F 30%
G-CAP-9-O	GROMMET CAP OPTION 9 ALL OPEN	BLACK	SPS/PA, G.F 30%
C-HSG-A0	CONNECTOR HOUSING KEY A - WDC OPT 0	BLACK	SPS/PA, G.F 30%
C-HSG-B0	CONNECTOR HOUSING KEY B- WDC OPT 0	BLACK	SPS/PA, G.F 30%
C-HSG-C0	CONNECTOR HOUSING KEY C- WDC OPT 0	BLACK	SPS/PA, G.F 30%
C-HSG-D0	CONNECTOR HOUSING KEY D - WDC OPT 0	BLACK	SPS/PA, G.F 30%
C-HSG-E0	CONNECTOR HOUSING KEY E - WDC OPT 0	BLACK	SPS/PA, G.F 30%
C-HSG-F0	CONNECTOR HOUSING KEY F- WDC OPT 0	BLACK	SPS/PA, G.F 30%
C-HSG-A9	CONNECTOR HOUSING KEY A- WDC OPT 9	BLACK	SPS/PA, G.F 30%
C-HSG-B9	CONNECTOR HOUSING KEY B- WDC OPT 9	BLACK	SPS/PA, G.F 30%
C-HSG-C9	CONNECTOR HOUSING KEY C- WDC OPT 9	BLACK	SPS/PA, G.F 30%
C-HSG-D9	CONNECTOR HOUSING KEY D- WDC OPT 9	BLACK	SPS/PA, G.F 30%
C-HSG-E9	CONNECTOR HOUSING KEY E- WDC OPT 9	BLACK	SPS/PA, G.F 30%
C-HSG-F9	CONNECTOR HOUSING KEY F- WDC OPT 9	BLACK	SPS/PA, G.F 30%
TPA-A0	TERMINAL POSITION ASSURANCE (TPA) OPTION 0	BLACK	SPS/PA, G.F 30%
TPA-B0	TERMINAL POSITION ASSURANCE (TPA) OPTION 0	STONE GRAY	SPS/PA, G.F 30%
TPA-C0	TERMINAL POSITION ASSURANCE (TPA) OPTION 0	BLUE	SPS/PA, G.F 30%
TPA-D0	TERMINAL POSITION ASSURANCE (TPA) OPTION 0	BROWN	SPS/PA, G.F 30%
TPA-E0	TERMINAL POSITION ASSURANCE (TPA) OPTION 0	GREEN	SPS/PA, G.F 30%
TPA-F0	TERMINAL POSITION ASSURANCE (TPA) OPTION 0	NATURAL	SPS/PA, G.F 30%
TPA-A0-1	TERMINAL POSITION ASSURANCE (TPA) OPTION 0	BLACK	SPS/PA, G.F 30%
TPA-B0-1	TERMINAL POSITION ASSURANCE (TPA) OPTION 0	STONE GRAY	SPS/PA, G.F 30%
TPA-C0-1	TERMINAL POSITION ASSURANCE (TPA) OPTION 0	BLUE	SPS/PA, G.F 30%
TPA-A9	TERMINAL POSITION ASSURANCE (TPA) OPTION 9	BLACK	SPS/PA, G.F 30%
TPA-B9	TERMINAL POSITION ASSURANCE (TPA) OPTION 9	STONE GRAY	SPS/PA, G.F 30%
TPA-C9	TERMINAL POSITION ASSURANCE (TPA) OPTION 9	BLUE	SPS/PA, G.F 30%
TPA-D9	TERMINAL POSITION ASSURANCE (TPA) OPTION 9	BROWN	SPS/PA, G.F 30%
TPA-E9	TERMINAL POSITION ASSURANCE (TPA) OPTION 9	GREEN	SPS/PA, G.F 30%
TPA-F9	TERMINAL POSITION ASSURANCE (TPA) OPTION 9	NATURAL	SPS/PA, G.F 30%
MAL	MATE ASSIST LEVER	BLACK	SPS/NYLON GF30
RS	SLIDE - RIGHT	BLACK	PBT W/PTFE, G.F. 30%
LS	SLIDE - LEFT	BLACK	PBT W/PTFE, G.F. 30%
CVR BLACK	DRESS COVER BLACK	BLACK	PBT, G.F. 30%
CVR GRAY	DRESS COVER GRAY	GRAY	PBT, G.F. 30%
CVR BLUE	DRESS COVER BLUE	BLUE	PBT, G.F. 30%
CVR BROWN	DRESS COVER BROWN	BROWN	PBT, G.F. 30%
CVR GREEN	DRESS COVER GREEN	GREEN	PBT, G.F. 30%
CVR NATURAL	DRESS COVER NATURAL	NATURAL	PBT, G.F. 30%
CVR YELLOW	DRESS COVER YELLOW	YELLOW	PBT, G.F. 30%
CPA	CONNECTOR POSITION ASSURANCE (CPA)	RED	PPE/PA 10% GF
MSEAL	MAT SEAL	RUST RED	INHERENTLY LUBRICATED SILICONE RUBBER
RSEAL	RING SEAL	RUST RED	INHERENTLY LUBRICATED SILICONE RUBBER

FOR ADDITIONAL INFORMATION SEE SD-34566-001

ASSEMBLY DESCRIPTION	ASSEMBLY PART NUMBER	CONNECTOR HOUSING	GROMMET CAP	TPA	RIGHT SLIDE	LEFT SLIDE	MATE ASSIST LEVER	CPA	MAT SEAL	RING SEAL	BLOCKED TERMINALS																STATUS	COMMENTS	INTEGRAL COMPONENTS SOLD SEPARATELY										
											CAVITY WITH A NUMBER INDICATES BLOCKED TERMINAL POSITION CAVITY WITHOUT A NUMBER INDICATES OPEN TERMINAL POSITION																												
											DRESS COVER																												
MX123 CONN ASSY 73 CKT BLK OPT0 KEY A/54	345660004	C-HSG-A0	G-CAP-0-P	TPA-A0	RS	LS	MAL	CPA	MSEAL	RSEAL	-	-	-	-	68	-	66	65	-	-	62	-	-	-	58	-	-	-	-	-									
											-	-	50	49	-	47	46	-	-	42	-	-	-	-	-	-	-	-	-	-	-	-	-	-	-	-	-	-	
											-	-	-	-	-	-	-	-	28	-	-	-	24	23	-	21	20	-	-	17	-	-	-	-	-	-	-	-	-
											-	-	-	-	-	-	-	-	-	-	-	-	-	-	-	-	4	3	-	-	-	-	-	-	-	-	-	-	-
MX123 CONN ASSY 73 CKT BLK OPT0 KEY A/52	345660044	C-HSG-A0	G-CAP-0-P	TPA-A0	RS	LS	MAL	CPA	MSEAL	RSEAL	-	-	-	-	68	-	66	65	-	63	62	-	-	-	58	-	-	-	-	-									
											-	-	50	49	-	47	46	-	-	42	-	-	-	-	-	-	-	-	-	-	-	-	-	-	-	-	-		
											-	-	-	-	-	-	-	-	28	-	-	-	24	23	-	21	20	-	-	17	-	-	-	-	-	-	-	-	
											-	-	-	-	-	-	-	-	-	-	-	-	-	-	-	-	4	-	-	1	-	-	-	-	-	-	-	-	
MX123 CONN ASSY 73 CKT BLK OPT0 KEY A/53	345660064	C-HSG-A0	G-CAP-0-P	TPA-A0	RS	LS	MAL	CPA	MSEAL	RSEAL	-	-	-	-	68	-	66	65	-	-	62	-	-	-	58	-	-	-	-	-									
											-	-	50	49	-	47	46	-	-	42	-	-	-	-	-	-	-	-	-	-	-	-	-	-	33	-	-		
											-	-	-	-	-	-	-	-	28	-	-	-	24	23	-	21	20	-	-	17	-	-	-	-	-	-	-	-	
											-	-	-	-	-	-	-	-	-	-	-	-	-	-	-	-	4	3	-	-	-	-	-	-	-	-	-	-	

ASSEMBLY DESCRIPTION	ASSEMBLY PART NUMBER	CONNECTOR HOUSING	GROMMET CAP	TPA	RIGHT SLIDE	LEFT SLIDE	MATE ASSIST LEVER	CPA	MAT SEAL	RING SEAL	BLOCKED TERMINALS																		STATUS	COMMENTS	INTEGRAL COMPONENTS SOLD SEPARATELY					
											CAVITY WITH A NUMBER INDICATES BLOCKED TERMINAL POSITION																				DRESS COVER					
											CAVITY WITHOUT A NUMBER INDICATES OPEN TERMINAL POSITION																									
MX123 CONN ASSY 73 CKT BLK OPT0 KEY A/48	345660084	C-HSG-A0	G-CAP-0-P	TPA-A0	RS	LS	MAL	CPA	MSEAL	RSEAL	72	71	-	-	68	-	66	65	-	63	62	-	-	-	58	-	-	-	-	-						
											-	-	50	49	-	47	46	-	-	43	42	-	-	-	-	-	-	-	-	-	-	-	-	-	-	-
															32	-	-	-	28	-	-	-	24	23	-	21	20	-	18	17	-	-	-	-	-	-
MX123 CONN ASSY 73 CKT GRY OPT0 KEY B/61	345660094	C-HSG-B0	G-CAP-0-P	TPA-B0	RS	LS	MAL	CPA	MSEAL	RSEAL	-	-	-	-	-	-	66	-	-	-	-	-	-	-	58	-	-	-	-	-						
											-	-	-	-	-	-	-	-	-	-	-	41	-	-	38	37	-	-	-	-	-	-	-	-	-	-
															-	-	-	-	-	-	-	-	-	-	-	20	19	18	17	-	-	-	-	-	-	-
MX123 CONN ASSY 73 CKT BLK OPT0 KEY A/73	345660103	C-HSG-A0	G-CAP-0-P	TPA-A0	RS	LS	MAL	CPA	MSEAL	RSEAL	-	-	-	-	-	-	-	-	-	-	-	-	-	-	-	-	-	-	-							
											-	-	-	-	-	-	-	-	-	-	-	-	-	-	-	-	-	-	-	-	-	-	-	-	-	-
															-	-	-	-	-	-	-	-	-	-	-	-	-	-	-	-	-	-	-	-	-	-
MX123 CONN ASSY 73 CKT GRY OPT0 KEY B/58	345660104	C-HSG-B0	G-CAP-0-P	TPA-B0	RS	LS	MAL	CPA	MSEAL	RSEAL	-	-	-	-	-	-	66	-	-	-	-	-	-	-	58	-	-	-	-	-						
											52	51	-	-	-	-	-	45	-	-	-	41	-	-	38	37	-	-	-	-	-	-	-	-	-	-
															-	-	-	-	-	-	-	-	-	-	-	20	19	18	17	-	-	-	-	-	-	-
MX123 CONN ASSY 73 CKT GRY OPT0 KEY B/46	345660114	C-HSG-B0	G-CAP-0-P	TPA-B0	RS	LS	MAL	CPA	MSEAL	RSEAL	-	-	-	-	68	67	66	65	-	-	62	-	60	59	-	-	-	-	54	53						
											-	-	-	-	48	47	46	45	44	-	42	41	40	39	-	-	-	35	34	-	-	-	-	-	-	-
															-	31	-	-	-	27	-	-	-	-	-	-	-	19	18	17	-	-	-	-	-	-
MX123 CONN ASSY 73 CKT GRY OPT0 KEY B/26	345660124	C-HSG-B0	G-CAP-0-P	TPA-B0	RS	LS	MAL	CPA	MSEAL	RSEAL	-	71	70	69	68	67	66	65	64	63	-	-	-	-	58	57	56	-	54	53						
											-	51	50	49	-	-	-	45	44	43	42	41	-	39	38	37	36	35	34	-	-	-	-	-	-	-
															32	31	-	29	28	27	26	25	24	23	-	-	-	-	-	-	-	-	-	-	-	-
MX123 CONN ASSY 73 CKT GRY OPT0 KEY B/30	345660134	C-HSG-B0	G-CAP-0-P	TPA-B0	RS	LS	MAL	CPA	MSEAL	RSEAL	-	71	70	69	68	67	66	65	64	63	-	-	-	-	58	57	56	-	54	53						
											-	51	50	49	-	-	-	45	44	43	42	-	-	39	-	-	-	-	34	33	-	-	-	-	-	-
															32	31	-	29	28	27	26	25	24	23	-	-	-	-	-	-	17	-	-	-	-	-
MX123 CONN ASSY 73 CKT GRY OPT9 KEY B/14	345660144	C-HSG-B9	G-CAP-9-P	TPA-B9	RS	LS	MAL	CPA	MSEAL	RSEAL	72	71	70	69	68	67	-	65	64	63	62	61	60	59	-	57	56	55	54	53						
											52	51	50	49	48	47	46	45	44	43	42	-	40	39	-	-	36	35	34	33	-	-	-	-	-	-
															32	31	30	29	28	27	26	25	24	23	22	21	-	-	-	-	-	-	-	-	-	-
MX123 CONN ASSY 73 CKT GRY OPT9 KEY B/62	345660154	C-HSG-B9	G-CAP-9-P	TPA-B9	RS	LS	MAL	CPA	MSEAL	RSEAL	-	-	-	-	-	-	-	-	-	-	-	-	-	-	58	-	-	-	-	-						
											-	-	-	-	-	-	-	-	-	-	-	-	41	-	-	38	37	-	-	-	-	-	-	-	-	-
															-	-	-	-	-	-	-	-	-	-	-	-	20	19	18	17	-	-	-	-	-	-
MX123 CONN ASSY 73 CKT GRY OPT9 KEY B/34	345660174	C-HSG-B9	G-CAP-9-P	TPA-B9	RS	LS	MAL	CPA	MSEAL	RSEAL	-	-	-	69	68	-	-	65	64	63	62	61	-	59	58	-	56	55	54	-						
											-	-	-	49	48	-	-	45	44	43	42	41	40	-	38	-	36	-	34	-	-	-	-	-	-	-
															32	31	-	-	-	27	26	-	-	-	-	21	-	-	18	-	-	-	-	-	-	-
MX123 CONN ASSY 73 CKT GRY OPT9 KEY B/52	345660184	C-HSG-B9	G-CAP-9-P	TPA-B9	RS	LS	MAL	CPA	MSEAL	RSEAL	-	-	-	-	-	-	-	-	-	-	62	-	60	59	-	-	-	-	-							
											-	-	-	-	-	-	-	-	-	-	-	-	-	39	38	-	-	35	34	33	-	-	-	-	-	-
															-	31	-	-	-	27	-	-	-	23	22	-	20	19	18	17	-	-	-	-	-	-
MX123 CONN ASSY 73 CKT BLU OPT0 KEY C/40	345660194	C-HSG-C0	G-CAP-0-P	TPA-C0	RS	LS	MAL	CPA	MSEAL	RSEAL	-	-	-	-	68	-	-	-	-	63	62	61	60	59	58	57	-	55	54	53						
											-	-	-	-	48	-	-	-	-	43	42	41	40	-	38	37	36	35	34	33	-	-	-	-	-	-
															32	-	-	29	-	27	-	-	-	-	-	-	-	19	18	17	-	-	-	-	-	-

ASSEMBLY DESCRIPTION	ASSEMBLY PART NUMBER	CONNECTOR HOUSING	GROMMET CAP	TPA	RIGHT SLIDE	LEFT SLIDE	MATE ASSIST LEVER	CPA	MAT SEAL	RING SEAL	BLOCKED TERMINALS																				STATUS	COMMENTS	INTEGRAL COMPONENTS SOLD SEPARATELY						
											CAVITY WITH A NUMBER INDICATES BLOCKED TERMINAL POSITION										CAVITY WITHOUT A NUMBER INDICATES OPEN TERMINAL POSITION												DRESS COVER						
MX123 CONN ASSY 73 CKT GRY OPT0 KEY B/46	345660514	C-HSG-B0	G-CAP-0-P	TPA-B0	RS	LS	MAL	CPA	MSEAL	RSEAL	-	-	-	-	-	-	-	-	-	-	-	62	-	60	59	-	-	-	-	54	53	SALEABLE		345650003					
											-	-	-	-	-	-	-	-	-	-	42	41	-	39	38	-	-	35	34	33									
																					-	31	-	-	-	27	-	-	-	23	22				-	20	19	18	17
																					-	15	-	-	12	-	-	-	-	7	-				-	4	3	2	1
MX123 CONN ASSY 73 CKT BLK OPT0 KEY A/30	345660524	C-HSG-A0	G-CAP-0-P	TPA-A0	RS	LS	MAL	CPA	MSEAL	RSEAL	-	-	-	69	68	-	-	65	64	63	62	61	60	59	58	57	56	55	54	-	SALEABLE		345650003						
											-	-	-	49	48	-	-	45	44	43	42	41	40	-	38	-	36	-	34	-									
																					32	31	-	-	-	-	-	25	24	23				22	21	20	19	18	-
																					16	15	14	-	-	-	-	9	-	-				6	5	4	-	2	-
MX123 CONN ASSY 73 CKT BLK OPT9 KEY A/46	345660534	C-HSG-A9	G-CAP-9-P	TPA-A9	RS	LS	MAL	CPA	MSEAL	RSEAL	-	-	-	-	-	-	65	-	63	-	61	-	59	58	57	-	-	-	53	SALEABLE		345650003							
											-	-	-	-	48	-	-	-	-	43	42	41	-	-	38	37	-	-	34				-						
																					32	31	30	29	28	-	-	-	-				23	22	-	-	19	-	17
																					-	15	-	-	-	11	-	-	-				7	-	-	-	-	2	-
MX123 CONN ASSY 73 CKT GRY OPT9 KEY B/59	345660544	C-HSG-B9	G-CAP-9-P	TPA-B9	RS	LS	MAL	CPA	MSEAL	RSEAL	-	-	-	-	-	-	66	-	-	-	62	-	-	-	58	-	-	-	-	SALEABLE		345650003							
											-	-	-	-	-	-	-	-	-	-	-	-	41	-	-	38	37	-	-				-	-					
																					-	-	-	-	-	-	-	-	-				-	-	20	19	18	17	
																					-	-	-	-	-	-	-	8	-				-	5	4	-	-	1	
MX123 CONN ASSY 73 CKT NAT OPT0 KEY F/73	345660603	C-HSG-F0	G-CAP-0-P	TPA-F0	RS	LS	MAL	CPA	MSEAL	RSEAL	-	-	-	-	-	-	-	-	-	-	-	-	-	-	-	-	-	-	SALEABLE		345650003								
											-	-	-	-	-	-	-	-	-	-	-	-	-	-	-	-	-	-				-	-	-					
																					-	-	-	-	-	-	-	-				-	-	-	-	-	-	-	
																					-	-	-	-	-	-	-	-				-	-	-	-	-	-	-	
MX123 CONN ASSY 73 CKT BLK OPT0 KEY A/31	345661013	C-HSG-A0	G-CAP-0-P	TPA-A0	RS	LS	MAL	CPA	MSEAL	RSEAL	72	-	70	-	-	67	66	-	-	-	62	-	60	-	-	-	-	55	54	53	SALEABLE		345650003						
											-	51	-	-	48	-	46	45	44	43	42	-	40	39	-	-	-	35	-	-									
																					-	-	-	-	-	-	26	25	-	-				22	21	-	-	-	
																					-	15	14	-	-	-	-	-	8	7				6	5	4	-	-	-
MX123 CONN ASSY 73 CKT BLK OPT0 KEY A/34	345661023	C-HSG-A0	G-CAP-0-P	TPA-A0	RS	LS	MAL	CPA	MSEAL	RSEAL	72	71	-	69	68	-	-	-	64	63	62	61	60	59	-	-	56	-	-	53	SALEABLE		345650003						
											52	51	-	-	48	-	46	45	-	-	-	-	40	-	38	-	36	-	34	33									
																					-	31	-	29	28	-	26	-	-	23				22	-	-	-	-	
																					-	-	14	-	12	11	-	-	-	7				-	-	4	-	-	-
MX123 CONN ASSY 73 CKT BLK OPT0 KEY A/32	345661033	C-HSG-A0	G-CAP-0-P	TPA-A0	RS	LS	MAL	CPA	MSEAL	RSEAL	-	71	-	69	68	-	-	-	64	63	62	61	60	59	-	-	56	-	-	53	SALEABLE		345650003						
											52	51	-	-	48	-	46	45	-	-	-	-	40	-	38	-	36	-	34	33									
																					-	31	-	29	28	-	-	-	-	23				22	-	-	-	-	
																					-	-	14	-	12	11	-	-	-	7				-	-	4	-	-	-
MX123 CONN ASSY 73 CKT GRY OPT0 KEY B/30	345661043	C-HSG-B0	G-CAP-0-P	TPA-B0	RS	LS	MAL	CPA	MSEAL	RSEAL	72	-	-	69	-	67	-	-	64	63	62	61	60	-	-	-	56	55	-	-	SALEABLE		345650003						
											52	-	-	-	-	47	-	-	44	-	42	-	-	-	-	-	-	-	34	-									
																					-	-	-	29	28	27	26	25	-	-				-	21	-	19	18	17
																					-	15	14	-	-	-	-	-	-	-				-	-	-	3	2	1
MX123 CONN ASSY 73 CKT GRY OPT0 KEY B/50	345661063	C-HSG-B0	G-CAP-0-P	TPA-B0	RS	LS	MAL	CPA	MSEAL	RSEAL	72	71	70	69	68	67	66	-	64	63	62	61	-	-	58	-	-	-	54	-	SALEABLE		345650003						
											52	51	50	-	-	-	46	45	-	43	42	41	-	-	38	-	-	-	34	-									
																					32	31	30	-	-	27	26	25	-	-				22	-	20	19	18	17
																					16	15	14	13	12	11	10	9	8	7				6	5	4	3	-	1
MX123 CONN ASSY 73 CKT BLK OPT0 KEY A/28	345661073	C-HSG-A0	G-CAP-0-P	TPA-A0	RS	LS	MAL	CPA	MSEAL	RSEAL	-	-	-	-	-	-	-	-	-	-	62	-	60	-	-	-	-	55	-	53	SALEABLE		345650003						
											52	51	-	-	-	-	46	45	44	43	-	-	40	39	-	-	-	35	-	-									
																					-	-	-	-	-	-	25	-	-	22				21	-	-	-	17	
																					-	15	14	-	-	-	-	-	8	7				6	5	4	3	2	1
MX123 CONN ASSY 73 CKT GRY OPT0 KEY B/28	345661083	C-HSG-B0	G-CAP-0-P	TPA-B0	RS	LS	MAL	CPA	MSEAL	RSEAL	72	71	70	69	-	-	-	-	63	62	61	60	-	-	-	56	-	-	-	SALEABLE		345650003							
											52	-	-	-	-	47	-	-	44	-	-	-	-	-	-	-	36	-	34				-						
																					-	-	-	29	28	27	-	25	-				-	-	21	-	19	18	17
																					-	15	14	-	12	11	-	-	-				-	-	-	-	-	-	1

ASSEMBLY DESCRIPTION	ASSEMBLY PART NUMBER	CONNECTOR HOUSING	GROMMET CAP	TPA	RIGHT SLIDE	LEFT SLIDE	MATE ASSIST LEVER	CPA	MAT SEAL	RING SEAL	BLOCKED TERMINALS																		STATUS	COMMENTS	INTEGRAL COMPONENTS SOLD SEPARATELY									
											CAVITY WITH A NUMBER INDICATES BLOCKED TERMINAL POSITION																				DRESS COVER									
											CAVITY WITHOUT A NUMBER INDICATES OPEN TERMINAL POSITION																													
MX123 CONN ASSY 73 CKT BLK OPTO KEY A/40	345661093	C-HSG-A0	G-CAP-0-P	TPA-A0	RS	LS	MAL	CPA	MSEAL	RSEAL	72	71	-	69	-	-	-	65	64	63	62	61	60	59	-	57	-	-	-	53	SALEABLE		345650003							
											52	51	50	-	48	-	46	45	-	-	-	-	40	-	38	-	-	35	-	33										
																						32	-	-	29	28	-	26	-	-				23	22	-	-	-	-	17
																						16	15	14	-	12	11	10	9	8				7	-	-	-	-	2	-
MX123 CONN ASSY 73 CKT BLK OPTO KEY A/39	345661133	C-HSG-A0	G-CAP-0-P	TPA-A0	RS	LS	MAL	CPA	MSEAL	RSEAL	72	71	-	69	-	-	-	65	64	63	62	-	60	59	-	-	56	-	-	53	SALEABLE		345650003							
											52	51	50	-	48	-	46	-	-	-	-	40	-	38	-	36	35	-	33											
																						-	31	-	29	28	-	26	-	-				23	22	-	-	-	-	17
																						16	15	14	-	12	-	10	9	8				7	-	-	4	-	2	-
MX123 CONN ASSY 73 CKT BLK OPTO KEY A/31	345661143	C-HSG-A0	G-CAP-0-P	TPA-A0	RS	LS	MAL	CPA	MSEAL	RSEAL	72	71	70	69	-	67	66	-	64	-	62	-	60	-	-	57	-	55	54	-	SALEABLE		345650003							
											-	51	-	49	48	-	46	45	44	43	42	-	40	39	-	-	-	-	-	-										
																						-	-	-	-	-	-	26	-	-				-	-	-	-	-	-	
																						-	-	-	-	-	-	-	-	8				7	6	5	4	3	2	-
MX123 CONN ASSY 73 CKT BLK OPTO KEY A/42	345661153	C-HSG-A0	G-CAP-0-P	TPA-A0	RS	LS	MAL	CPA	MSEAL	RSEAL	72	71	-	69	68	-	-	-	64	63	62	61	60	59	-	-	56	-	54	53	SALEABLE		345650003							
											52	51	50	-	48	-	46	45	-	-	-	-	40	-	38	-	36	35	34	33										
																						-	31	-	29	28	-	26	-	-				22	-	-	-	-	17	
																						16	15	14	-	12	11	10	9	-				7	-	-	4	-	2	-
MX123 CONN ASSY 73 CKT BLK OPTO KEY A/27	345661173	C-HSG-A0	G-CAP-0-P	TPA-A0	RS	LS	MAL	CPA	MSEAL	RSEAL	-	-	70	-	-	67	66	-	-	-	-	-	-	-	-	57	-	55	-	53	SALEABLE		345650003							
											-	51	-	-	-	-	46	-	44	43	-	-	40	39	-	-	-	35	-	-										
																						-	-	-	-	-	-	25	-	-				22	21	-	-	-	-	
																						-	15	14	-	-	-	-	-	8				7	6	5	4	3	2	1
MX123 CONN ASSY 73 CKT GRY OPTO KEY B/48	345661183	C-HSG-B0	G-CAP-0-P	TPA-B0	RS	LS	MAL	CPA	MSEAL	RSEAL	72	71	70	69	68	67	-	-	-	63	-	61	60	-	58	-	56	-	54	-	SALEABLE		345650003							
											52	51	50	-	-	-	46	45	-	43	-	41	40	-	38	-	36	-	34	-										
																						32	31	30	-	-	27	26	25	24				-	22	-	20	19	18	-
																						16	15	14	13	-	11	10	-	8				-	6	5	4	3	2	1
MX123 CONN ASSY 73 CKT BLK OPTO KEY A/32	345661193	C-HSG-A0	G-CAP-0-P	TPA-A0	RS	LS	MAL	CPA	MSEAL	RSEAL	-	-	70	-	-	-	-	65	-	-	-	61	-	-	58	57	56	55	-	-	SALEABLE		345650003							
											-	51	50	-	-	47	-	45	-	-	-	41	40	-	38	37	36	35	-	-										
																						-	31	30	-	28	-	26	25	24				-	22	21	20	19	18	-
																						16	15	-	-	-	-	10	-	-				-	-	-	-	-	-	-
MX123 CONN ASSY 73 CKT BLK OPTO KEY A/36	345661213	C-HSG-A0	G-CAP-0-P	TPA-A0	RS	LS	MAL	CPA	MSEAL	RSEAL	-	-	70	-	-	-	-	65	-	-	-	61	60	-	58	57	56	55	-	-	SALEABLE		345650003							
											-	51	50	49	-	47	-	45	-	-	-	41	40	-	38	37	36	35	34	-										
																						-	31	30	-	28	-	26	25	-				22	21	20	19	18	-	
																						16	15	-	-	-	-	10	-	-				7	6	-	-	-	-	-
MX123 CONN ASSY 73 CKT GRY OPTO KEY B/48	345661223	C-HSG-B0	G-CAP-0-P	TPA-B0	RS	LS	MAL	CPA	MSEAL	RSEAL	72	71	70	69	68	-	-	-	64	-	-	61	60	-	58	-	56	-	54	-	SALEABLE		345650003							
											52	51	50	49	-	47	46	45	44	-	-	41	40	-	38	-	36	-	34	-										
																						32	31	30	-	28	-	-	25	24				-	22	-	20	19	18	-
																						16	15	14	13	-	11	10	-	8				-	6	5	4	3	2	1
MX123 CONN ASSY 73 CKT GRY OPTO KEY B/52	345661233	C-HSG-B0	G-CAP-0-P	TPA-B0	RS	LS	MAL	CPA	MSEAL	RSEAL	72	71	70	69	68	67	66	-	64	63	-	61	60	-	58	-	56	-	54	-	SALEABLE		345650003							
											52	51	50	49	-	47	-	45	44	43	-	41	40	-	38	-	36	-	34	-										
																						32	31	30	-	28	27	-	25	24				-	22	-	20	19	18	-
																						16	15	14	13	-	11	10	-	8				-	6	5	4	3	2	1
MX123 CONN ASSY 73 CKT GRY OPTO KEY B/51	345661243	C-HSG-B0	G-CAP-0-P	TPA-B0	RS	LS	MAL	CPA	MSEAL	RSEAL	72	71	70	69	68	67	66	65	64	63	62	61	60	-	58	-	56	-	54	-	SALEABLE		345650003							
											52	51	-	49	-	47	-	45	44	43	42	41	40	-	38	-	36	-	34	-										
																						32	31	30	-	28	27	26	25	24				-	22	-	20	19	18	-
																						16	-	14	13	-	11	10	9	8				-	-	-	-	-	2	1
MX123 CONN ASSY 73 CKT GRY OPT9 KEY B/55	345661253	C-HSG-B9	G-CAP-9-P	TPA-B9	RS	LS	MAL	CPA	MSEAL	RSEAL	72	71	70	69	68	67	66	-	64	63	62	61	-	-	58	-	56	-	54	-	SALEABLE		345650003							
											52	51	50	-	-	47	-	45	44	43	42	41	-	-	38	-	36	-	34	-										
																						32	31	30	29	28	27	26	25	-				-	22	-	20	19	18	17
																						16	15	14	13	12	11	10	9	8				7	6	5	4	3	-	1

ASSEMBLY DESCRIPTION	ASSEMBLY PART NUMBER	CONNECTOR HOUSING	GROMMET CAP	TPA	RIGHT SLIDE	LEFT SLIDE	MATE ASSIST LEVER	CPA	MAT SEAL	RING SEAL	BLOCKED TERMINALS																		STATUS	COMMENTS	INTEGRAL COMPONENTS SOLD SEPARATELY			
											CAVITY WITH A NUMBER INDICATES BLOCKED TERMINAL POSITION CAVITY WITHOUT A NUMBER INDICATES OPEN TERMINAL POSITION																				DRESS COVER			
MX123 CONN ASSY 73 CKT BLK OPT9 KEY A/32	345661263	C-HSG-A9	G-CAP-9-P	TPA-A9	RS	LS	MAL	CPA	MSEAL	RSEAL	-	-	70	-	-	-	-	65	-	-	-	61	60	-	58	57	-	55	54	-	SALEABLE		345650003	
											52	51	-	49	-	47	-	45	-	-	-	41	40	-	38	37	-	-	34	-				
																													16	15				-
MX123 CONN ASSY 73 CKT BLK OPT0 KEY A/33	345661273	C-HSG-A0	G-CAP-0-P	TPA-A0	RS	LS	MAL	CPA	MSEAL	RSEAL	72	71	-	-	-	67	66	-	-	-	62	-	60	-	-	-	-	55	54	53	SALEABLE		345650003	
											-	51	-	-	-	-	46	45	44	43	42	-	40	39	-	-	-	35	-	-				
																													-	15				14
MX123 CONN ASSY 73 CKT BLK OPT0 KEY A/28	345661283	C-HSG-A0	G-CAP-0-P	TPA-A0	RS	LS	MAL	CPA	MSEAL	RSEAL	-	-	-	-	-	67	-	-	-	-	62	-	60	-	-	-	55	-	53	SALEABLE		345650003		
											-	51	-	-	-	-	46	45	44	43	-	-	40	39	-	-	-	35	-				-	
																													-				15	14
MX123 CONN ASSY 73 CKT BLK OPT0 KEY A/38	345661293	C-HSG-A0	G-CAP-0-P	TPA-A0	RS	LS	MAL	CPA	MSEAL	RSEAL	72	71	70	69	-	67	66	-	64	-	62	-	60	-	-	57	-	55	54	53	SALEABLE		345650003	
											-	51	-	49	48	-	46	45	44	43	42	-	40	39	-	-	-	35	-	-				
																													-	15				14
MX123 CONN ASSY 73 CKT BLK OPT9 KEY A/73	345661303	C-HSG-A9	G-CAP-9-P	TPA-A9	RS	LS	MAL	CPA	MSEAL	RSEAL	-	-	-	-	-	-	-	-	-	-	-	-	-	-	-	-	-	-	SALEABLE		345650003			
MX123 CONN ASSY 73 CKT BLK OPT0 KEY A/4	345661323	C-HSG-A0	G-CAP-0-P	TPA-A0	RS	LS	MAL	CPA	MSEAL	RSEAL	-	-	-	-	-	-	-	-	-	-	-	61	-	-	-	-	-	-	SALEABLE		345650003			
											-	-	-	-	-	-	-	-	-	-	-	-	-	-	-	-	-	-				-	-	
																																-	26	-
MX123 CONN ASSY 73 CKT BLK OPT0 KEY A/36	345661333	C-HSG-A0	G-CAP-0-P	TPA-A0	RS	LS	MAL	CPA	MSEAL	RSEAL	72	71	-	-	-	67	66	-	-	63	62	61	60	-	-	57	-	55	54	53	SALEABLE		345650003	
											-	51	-	-	48	-	46	45	44	43	42	-	40	39	-	-	-	35	-	33				
																													-	15				14
MX123 CONN ASSY 73 CKT BLK OPT0 KEY A/31	345661343	C-HSG-A0	G-CAP-0-P	TPA-A0	RS	LS	MAL	CPA	MSEAL	RSEAL	-	-	70	-	68	-	66	-	-	-	62	61	60	-	-	-	55	54	53	SALEABLE		345650003		
											52	51	-	-	-	-	46	45	44	43	42	-	40	39	-	-	-	35	-				33	
																													-				15	14
MX123 CONN ASSY 73 CKT BLK OPT0 KEY A/38	345661363	C-HSG-A0	G-CAP-0-P	TPA-A0	RS	LS	MAL	CPA	MSEAL	RSEAL	-	-	70	-	-	-	-	65	-	-	-	61	60	-	58	57	56	55	54	-	SALEABLE		345650003	
											52	51	50	49	-	47	-	45	-	-	-	41	40	-	38	37	36	35	34	-				
																													16	15				-
MX123 CONN ASSY 73 CKT GRY OPT0 KEY B/51	345661373	C-HSG-B0	G-CAP-0-P	TPA-B0	RS	LS	MAL	CPA	MSEAL	RSEAL	72	71	70	69	68	67	-	-	64	63	-	61	60	-	58	-	56	-	54	-	SALEABLE		345650003	
											52	51	50	49	-	47	-	45	44	43	-	41	40	-	38	-	36	-	34	-				
																													32	31				30
MX123 CONN ASSY 73 CKT GRY OPT0 KEY B/51	345661383	C-HSG-B0	G-CAP-0-P	TPA-B0	RS	LS	MAL	CPA	MSEAL	RSEAL	72	71	70	69	68	67	66	-	64	63	62	61	60	-	-	-	56	-	54	-	SALEABLE		345650003	
											52	51	50	-	-	-	-	45	44	43	42	41	40	-	-	-	36	-	34	-				
																													32	31				30
MX123 CONN ASSY 73 CKT BLK OPT0 KEY A/41	345661393	C-HSG-A0	G-CAP-0-P	TPA-A0	RS	LS	MAL	CPA	MSEAL	RSEAL	72	71	-	69	68	-	-	65	64	63	62	-	60	59	-	-	56	-	-	53	SALEABLE		345650003	
											52	51	50	49	48	-	46	-	-	-	-	40	-	38	-	36	35	-	33					
																													16	15				14

ASSEMBLY DESCRIPTION	ASSEMBLY PART NUMBER	CONNECTOR HOUSING	GROMMET CAP	TPA	RIGHT SLIDE	LEFT SLIDE	MATE ASSIST LEVER	CPA	MAT SEAL	RING SEAL	BLOCKED TERMINALS																				STATUS	COMMENTS	INTEGRAL COMPONENTS SOLD SEPARATELY	
											CAVITY WITH A NUMBER INDICATES BLOCKED TERMINAL POSITION																						DRESS COVER	
											CAVITY WITHOUT A NUMBER INDICATES OPEN TERMINAL POSITION																							
MX123 CONN ASSY 73 CKT BLK OPT0 KEY A/28	345661533	C-HSG-A0	G-CAP-0-P	TPA-A0	RS	LS	MAL	CPA	MSEAL	RSEAL	-	-	-	-	-	67	66	-	-	-	-	62	-	60	-	-	-	-	55	54	53	SALEABLE		345650003
											-	-	-	-	48	-	46	45	44	43	42	-	40	39	-	-	-	-	35	-	-			
											-	-	-	-	-	-	-	-	-	-	26	25	-	-	22	21	-	-	-	-	-			
MX123 CONN ASSY 73 CKT GRY OPT0 KEY B/53	345661543	C-HSG-B0	G-CAP-0-P	TPA-B0	RS	LS	MAL	CPA	MSEAL	RSEAL	72	71	70	-	-	67	-	65	64	63	62	61	60	-	58	-	56	-	54	-	SALEABLE		345650003	
											52	51	50	-	-	47	-	45	44	43	42	41	40	-	38	-	36	-	34	-				
											-	-	-	-	32	31	30	-	28	27	26	25	24	-	22	-	20	19	18	17				-
MX123 CONN ASSY 73 CKT BLK OPT0 KEY A/73	345661553	C-HSG-A0	G-CAP-0-P	TPA-A0	RS	LS	MAL	CPA	MSEAL	RSEAL	72	71	70	69	68	67	66	65	64	63	62	61	60	59	58	57	56	55	54	53	SALEABLE		345650003	
											52	51	50	49	48	47	46	45	44	43	42	41	40	39	38	37	36	35	34	33				
											-	-	-	-	32	31	30	29	28	27	26	25	24	23	22	21	20	19	18	17				-
MX123 CONN ASSY 73 CKT BLK OPT9 KEY A/73	345661563	C-HSG-A9	G-CAP-9-P	TPA-A9	RS	LS	MAL	CPA	MSEAL	RSEAL	72	71	70	69	68	67	66	65	64	63	62	61	60	59	58	57	56	55	54	53	SALEABLE		345650003	
											52	51	50	49	48	47	46	45	44	43	42	41	40	39	38	37	36	35	34	33				
											-	-	-	-	32	31	30	29	28	27	26	25	24	23	22	21	20	19	18	17				-
MX123 CONN ASSY 73 CKT BLK OPT0 KEY A/35	345661583	C-HSG-A0	G-CAP-0-P	TPA-A0	RS	LS	MAL	CPA	MSEAL	RSEAL	72	71	-	69	68	-	-	-	64	63	62	-	60	59	-	-	56	-	-	53	SALEABLE		345650003	
											52	51	50	-	48	-	46	-	-	-	-	40	-	38	-	36	35	-	33	-				
											-	-	-	-	32	31	-	29	28	-	26	-	-	23	22	-	-	-	-	-				-
MX123 CONN ASSY 73 CKT GRY OPT0 KEY B/30	345661593	C-HSG-B0	G-CAP-0-P	TPA-B0	RS	LS	MAL	CPA	MSEAL	RSEAL	72	71	70	69	68	-	66	-	64	63	62	-	-	-	-	56	55	-	-	SALEABLE		345650003		
											52	-	-	-	-	-	-	-	44	-	-	41	-	-	38	-	36	35	-				-	
											-	-	-	-	-	-	-	29	28	27	-	25	-	-	-	-	-	19	18				17	-
MX123 CONN ASSY 73 CKT GRY OPT0 KEY B/51	345661623	C-HSG-B0	G-CAP-0-P	TPA-B0	RS	LS	MAL	CPA	MSEAL	RSEAL	72	71	70	69	68	67	-	-	64	63	-	61	60	-	58	-	56	-	54	-	SALEABLE		345650003	
											52	51	50	49	-	-	46	45	44	43	-	41	40	-	38	-	36	-	34	-				
											-	-	-	-	32	31	30	-	28	27	-	25	24	-	22	-	20	19	18	-				-
MX123 CONN ASSY 73 CKT GRY OPT0 KEY B/46	345661633	C-HSG-B0	G-CAP-0-P	TPA-B0	RS	LS	MAL	CPA	MSEAL	RSEAL	72	71	70	-	-	67	-	65	64	63	62	61	60	-	58	-	56	-	54	-	SALEABLE		345650003	
											52	51	-	49	-	-	46	45	44	43	42	41	40	-	38	-	36	-	34	-				
											-	-	-	-	32	31	30	-	28	27	26	25	24	-	22	-	20	19	18	-				-
MX123 CONN ASSY 73 CKT GRY OPT0 KEY B/46	345661643	C-HSG-B0	G-CAP-0-P	TPA-B0	RS	LS	MAL	CPA	MSEAL	RSEAL	72	71	70	-	-	67	-	65	64	63	62	61	60	-	58	-	56	-	54	-	SALEABLE		345650003	
											52	51	-	49	-	47	-	45	44	43	42	41	40	-	38	-	36	-	34	-				
											-	-	-	-	32	31	30	-	28	27	26	25	24	-	22	-	20	19	18	-				-
MX123 CONN ASSY 73 CKT GRY OPT0 KEY B/50	345661653	C-HSG-B0	G-CAP-0-P	TPA-B0	RS	LS	MAL	CPA	MSEAL	RSEAL	72	71	70	69	68	67	-	65	64	63	62	61	60	-	58	-	56	-	54	-	SALEABLE		345650003	
											52	51	-	49	-	47	-	45	44	43	42	41	40	-	38	-	36	-	34	-				
											-	-	-	-	32	31	30	-	28	27	26	25	24	-	22	-	20	19	18	-				-
MX123 CONN ASSY 73 CKT GRY OPT0 KEY B/52	345661663	C-HSG-B0	G-CAP-0-P	TPA-B0	RS	LS	MAL	CPA	MSEAL	RSEAL	72	71	70	69	68	67	-	65	64	63	62	61	60	-	58	-	56	-	54	-	SALEABLE		345650003	
											52	51	-	49	-	47	-	45	44	43	42	41	40	-	38	-	36	-	34	-				
											-	-	-	-	32	31	30	-	28	27	26	25	24	-	22	-	20	19	18	17				-
MX123 CONN ASSY 73 CKT BLK OPT0 KEY A/22	345661673	C-HSG-A0	G-CAP-0-P	TPA-A0	RS	LS	MAL	CPA	MSEAL	RSEAL	-	-	-	-	-	-	-	-	-	-	-	61	-	-	58	57	56	-	-	-	SALEABLE		345650003	
											-	51	50	-	-	47	46	-	-	-	-	-	-	-	38	37	36	-	-	-				
											-	-	-	-	-	31	30	-	28	-	26	-	-	-	22	21	20	-	-	-				-

ASSEMBLY DESCRIPTION	ASSEMBLY PART NUMBER	CONNECTOR HOUSING	GROMMET CAP	TPA	RIGHT SLIDE	LEFT SLIDE	MATE ASSIST LEVER	CPA	MAT SEAL	RING SEAL	BLOCKED TERMINALS																		STATUS	COMMENTS	INTEGRAL COMPONENTS SOLD SEPARATELY		
											CAVITY WITH A NUMBER INDICATES BLOCKED TERMINAL POSITION																				DRESS COVER		
											CAVITY WITHOUT A NUMBER INDICATES OPEN TERMINAL POSITION																						
MX123 CONN ASSY 73 CKT GRY OPT0 KEY B/39	345661683	C-HSG-B0	G-CAP-0-P	TPA-B0	RS	LS	MAL	CPA	MSEAL	RSEAL	72	71	70	69	68	-	-	65	64	-	62	61	60	-	-	-	-	-	54	-			
											52	51	-	-	-	47	46	45	44	-	42	41	40	-	-	-	-	-	-	-	-	34	-
															32	31	30	-	28	-	26	25	24	-	-	-	20	19	18	17			
															-	-	-	-	12	11	10	9	-	-	-	-	-	-	-	2	1		
MX123 CONN ASSY 73 CKT GRY OPT0 KEY B/53	345661693	C-HSG-B0	G-CAP-0-P	TPA-B0	RS	LS	MAL	CPA	MSEAL	RSEAL	72	71	70	69	68	67	-	65	-	63	62	61	60	-	58	-	56	-	54	-			
											52	51	50	-	-	47	-	45	44	43	42	41	40	-	38	-	36	-	34	-			
															-	31	30	-	28	27	26	25	24	-	22	-	20	19	18	-			
															16	15	14	13	-	11	10	9	8	-	6	5	4	3	2	1			
MX123 CONN ASSY 73 CKT GRY OPT0 KEY B/21	345661713	C-HSG-B0	G-CAP-0-P	TPA-B0	RS	LS	MAL	CPA	MSEAL	RSEAL	72	-	-	69	-	67	-	-	-	-	62	61	-	-	-	-	-	-	-	-			
											52	-	-	-	-	47	-	-	44	-	42	-	-	-	-	-	-	-	34	-			
															-	-	-	29	28	27	26	25	-	-	-	21	-	-	18	17			
															-	-	14	-	-	-	-	-	-	-	-	-	-	-	-	1			
MX123 CONN ASSY 73 CKT GRY OPT0 KEY B/28	345661723	C-HSG-B0	G-CAP-0-P	TPA-B0	RS	LS	MAL	CPA	MSEAL	RSEAL	72	-	-	69	-	67	-	-	64	63	62	61	-	-	-	-	56	55	-	-			
											52	-	-	-	-	47	-	-	44	-	42	-	-	-	-	-	-	-	34	-			
															-	-	-	29	28	27	26	25	-	-	-	21	-	19	18	17			
															-	-	14	-	-	-	-	-	-	-	-	-	-	3	2	1			
MX123 CONN ASSY 73 CKT BLK OPT0 KEY A/35	345661733	C-HSG-A0	G-CAP-0-P	TPA-A0	RS	LS	MAL	CPA	MSEAL	RSEAL	72	71	-	69	-	-	-	-	64	63	62	61	60	59	-	-	56	-	54	53			
											52	51	50	-	48	-	46	45	-	-	-	-	40	-	38	-	36	-	34	33			
															-	31	-	29	28	-	26	-	-	23	22	-	-	-	-	-			
															-	-	14	-	12	11	-	-	-	7	-	-	4	-	-	-			
MX123 CONN ASSY 73 CKT BLK OPT0 KEY A/36	345661743	C-HSG-A0	G-CAP-0-P	TPA-A0	RS	LS	MAL	CPA	MSEAL	RSEAL	72	71	-	69	68	-	-	-	64	63	62	61	60	59	-	-	56	-	54	53			
											52	51	50	-	48	-	46	45	-	-	-	-	40	-	38	-	36	-	34	33			
															-	31	-	29	28	-	26	-	-	23	22	-	-	-	-	-			
															-	-	14	-	12	11	-	-	-	7	-	-	4	-	-	-			
MX123 CONN ASSY 73 CKT BLK OPT0 KEY A/40	345661753	C-HSG-A0	G-CAP-0-P	TPA-A0	RS	LS	MAL	CPA	MSEAL	RSEAL	72	71	-	69	68	-	-	-	64	63	62	61	60	59	-	-	56	-	54	53			
											52	51	50	-	48	-	46	45	-	-	-	-	40	-	38	-	36	-	34	33			
															-	31	30	29	28	-	26	-	-	23	22	-	-	-	-	-			
															16	-	14	-	12	11	10	-	-	7	-	-	4	-	2	-			
MX123 CONN ASSY 73 CKT GRY OPT0 KEY B/31	345661763	C-HSG-B0	G-CAP-0-P	TPA-B0	RS	LS	MAL	CPA	MSEAL	RSEAL	72	71	70	69	68	-	66	-	64	63	62	-	-	-	-	56	55	-	-				
											52	-	-	-	-	-	-	-	44	-	42	41	-	-	38	-	36	35	-	-			
															-	-	-	29	28	27	-	25	-	-	-	-	-	19	18	17			
															-	-	-	-	12	11	-	-	-	-	-	-	-	3	2	1			
MX123 CONN ASSY 73 CKT BLU OPT0 KEY C/41	345661773	C-HSG-C0	G-CAP-0-P	TPA-C0	RS	LS	MAL	CPA	MSEAL	RSEAL	-	71	-	69	68	-	-	65	64	-	-	61	60	-	58	-	56	55	54	-			
											-	-	50	49	48	47	-	45	-	43	-	41	-	-	38	37	36	35	-	-			
															32	31	-	29	28	-	-	-	24	23	-	-	-	19	18	17			
															16	-	-	13	12	11	-	-	8	7	-	-	-	3	2	1			
MX123 CONN ASSY 73 CKT BLU OPT0 KEY C/42	345661783	C-HSG-C0	G-CAP-0-P	TPA-C0	RS	LS	MAL	CPA	MSEAL	RSEAL	-	71	-	69	68	-	-	65	64	-	-	61	60	-	58	-	56	55	54	-			
											-	-	50	49	48	47	-	45	-	43	-	41	-	-	38	37	36	35	-	-			
															32	31	-	29	28	27	-	-	24	23	-	-	-	19	18	17			
															16	-	-	13	12	11	-	-	8	7	-	-	-	3	2	1			
MX123 CONN ASSY 73 CKT BLK OPT0 KEY A/38	345661793	C-HSG-A0	G-CAP-0-P	TPA-A0	RS	LS	MAL	CPA	MSEAL	RSEAL	72	71	70	-	68	67	66	65	64	-	-	-	60	59	-	-	-	-	-	-			
											-	-	50	-	48	47	46	45	-	-	-	-	40	39	38	-	-	-	-	-			
															-	31	30	-	-	-	-	25	24	23	22	21	20	-	-	17			
															-	15	14	-	-	-	-	9	8	7	6	5	4	-	2	1			
MX123 CONN ASSY 73 CKT NAT OPT9 KEY F/73	345661803	C-HSG-F9	G-CAP-9-P	TPA-F9	RS	LS	MAL	CPA	MSEAL	RSEAL	-	-	-	-	-	-	-	-	-	-	-	-	-	-	-	-	-	-					
											-	-	-	-	-	-	-	-	-	-	-	-	-	-	-	-	-	-	-				
															-	-	-	-	-	-	-	-	-	-	-	-	-	-	-				
															-	-	-	-	-	-	-	-	-	-	-	-	-	-	-				

ASSEMBLY DESCRIPTION	ASSEMBLY PART NUMBER	CONNECTOR HOUSING	GROMMET CAP	TPA	RIGHT SLIDE	LEFT SLIDE	MATE ASSIST LEVER	CPA	MAT SEAL	RING SEAL	BLOCKED TERMINALS																				STATUS	COMMENTS	INTEGRAL COMPONENTS SOLD SEPARATELY
											CAVITY WITH A NUMBER INDICATES BLOCKED TERMINAL POSITION																						DRESS COVER
											CAVITY WITHOUT A NUMBER INDICATES OPEN TERMINAL POSITION																						
MX123 CONN ASSY 73 CKT BLK OPTO KEY A/34	345661943	C-HSG-A0	G-CAP-0-P	TPA-A0	RS	LS	MAL	CPA	MSEAL	RSEAL	72	71	-	69	68	-	-	-	64	63	62	61	60	59	-	-	56	-	54	53	SALEABLE		345650003
											52	-	50	-	48	-	46	45	-	-	-	-	-	-	38	-	36	-	34	33			
															-	31	-	29	28	-	26	-	-	23	22	-	-	-	-	-			
MX123 CONN ASSY 73 CKT BLU OPTO KEY C/42	345661953	C-HSG-C0	G-CAP-0-P	TPA-C0	RS	LS	MAL	CPA	MSEAL	RSEAL	-	71	-	69	68	67	-	65	64	-	62	61	60	-	58	-	56	55	54	-	SALEABLE		345650003
											-	-	50	49	-	-	-	45	-	43	-	41	-	-	38	37	36	35	-	-			
															32	31	-	29	28	27	-	-	24	23	-	-	-	19	18	17			
MX123 CONN ASSY 73 CKT BLU OPTO KEY C/44	345661963	C-HSG-C0	G-CAP-0-P	TPA-C0	RS	LS	MAL	CPA	MSEAL	RSEAL	-	71	-	69	68	67	-	65	64	-	62	61	60	-	58	-	56	55	54	-	SALEABLE		345650003
											-	-	50	49	48	47	-	45	-	43	-	41	-	-	38	37	36	35	-	-			
															32	31	-	29	28	27	-	-	24	23	-	-	-	19	18	17			
MX123 CONN ASSY 73 CKT BLK OPTO KEY A/43	345661973	C-HSG-A0	G-CAP-0-P	TPA-A0	RS	LS	MAL	CPA	MSEAL	RSEAL	72	71	70	-	68	67	66	65	64	-	62	61	60	59	58	57	-	-	-	-	SALEABLE		345650003
											-	-	50	-	48	47	46	45	-	-	-	-	40	39	38	37	-	-	-	-			
															-	31	30	29	-	27	-	25	24	-	22	-	20	-	-	17			
MX123 CONN ASSY 73 CKT GRY OPTO KEY B/73	345661983	C-HSG-B0	G-CAP-0-P	TPA-B0	RS	LS	MAL	CPA	MSEAL	RSEAL	72	71	70	69	68	67	66	65	64	63	62	61	60	59	58	57	56	55	54	53	SALEABLE		345650003
											52	51	50	49	48	47	46	45	44	43	42	41	40	39	38	37	36	35	34	33			
															32	31	30	29	28	27	26	25	24	23	22	21	20	19	18	17			
MX123 CONN ASSY 73 CKT BLU OPTO KEY C/73	345661993	C-HSG-C0	G-CAP-0-P	TPA-C0	RS	LS	MAL	CPA	MSEAL	RSEAL	72	71	70	69	68	67	66	65	64	63	62	61	60	59	58	57	56	55	54	53	SALEABLE		345650003
											52	51	50	49	48	47	46	45	44	43	42	41	40	39	38	37	36	35	34	33			
															32	31	30	29	28	27	26	25	24	23	22	21	20	19	18	17			
MX123 CONN ASSY 73 CKT BLK OPTO KEY A/31	345662013	C-HSG-A0	G-CAP-0-P	TPA-A0	RS	LS	MAL	CPA	MSEAL	RSEAL	72	-	-	69	68	67	66	-	64	63	62	61	-	-	-	-	56	55	-	-	SALEABLE		345650003
											52	-	-	-	-	47	-	-	44	-	42	-	-	-	38	-	-	-	34	-			
															-	-	-	29	28	27	26	25	-	-	-	21	-	19	18	17			
MX123 CONN ASSY 73 CKT BLK OPTO KEY A/38	345662023	C-HSG-A0	G-CAP-0-P	TPA-A0	RS	LS	MAL	CPA	MSEAL	RSEAL	72	71	-	69	-	-	-	-	64	63	62	61	60	59	-	-	56	-	54	53	SALEABLE		345650003
											52	51	50	-	48	-	46	45	-	-	-	-	40	-	38	-	36	-	34	33			
															-	31	-	29	28	-	26	-	-	23	22	-	-	-	-	-			
MX123 CONN ASSY 73 CKT BLK OPTO KEY A/27	345662033	C-HSG-A0	G-CAP-0-P	TPA-A0	RS	LS	MAL	CPA	MSEAL	RSEAL	72	-	-	69	68	67	66	-	-	63	62	61	-	-	-	-	56	-	-	-	SALEABLE		345650003
											52	-	-	-	-	47	-	-	44	-	42	-	-	-	38	-	-	-	34	-			
															-	-	-	29	28	27	26	25	-	-	-	21	-	19	18	17			
MX123 CONN ASSY 73 CKT BLK OPTO KEY A/39	345662043	C-HSG-A0	G-CAP-0-P	TPA-A0	RS	LS	MAL	CPA	MSEAL	RSEAL	72	71	-	69	68	-	-	-	64	63	62	61	60	59	-	-	56	-	54	53	SALEABLE		345650003
											52	51	50	-	48	-	46	45	-	-	-	-	40	-	38	-	36	-	34	33			
															-	31	-	29	28	-	26	-	-	23	22	-	-	-	-	-			
MX123 CONN ASSY 73 CKT GRY OPTO KEY B/41	345662053	C-HSG-B0	G-CAP-0-P	TPA-B0	RS	LS	MAL	CPA	MSEAL	RSEAL	72	71	-	69	-	-	-	-	64	63	62	61	60	59	-	-	56	-	54	53	SALEABLE		345650003
											52	51	50	-	48	-	46	45	-	-	-	-	40	-	38	-	36	35	34	33			
															-	31	-	29	28	-	26	-	-	-	22	-	-	-	-	17			
MX123 CONN ASSY 73 CKT BLK OPTO KEY A/37	345662093	C-HSG-A0	G-CAP-0-P	TPA-A0	RS	LS	MAL	CPA	MSEAL	RSEAL	72	71	70	69	-	67	66	-	64	-	62	-	60	-	-	57	-	55	54	53	SALEABLE		345650003
											-	51	-	49	48	-	46	45	44	43	42	-	40	39	-	-	-	35	-	-			
															-	-	-	-	-	-	26	-	-	-	22	21	-	-	-	-			

ASSEMBLY DESCRIPTION	ASSEMBLY PART NUMBER	CONNECTOR HOUSING	GROMMET CAP	TPA	RIGHT SLIDE	LEFT SLIDE	MATE ASSIST LEVER	CPA	MAT SEAL	RING SEAL	BLOCKED TERMINALS																		STATUS	COMMENTS	INTEGRAL COMPONENTS SOLD SEPARATELY						
											CAVITY WITH A NUMBER INDICATES BLOCKED TERMINAL POSITION																				DRESS COVER						
											CAVITY WITHOUT A NUMBER INDICATES OPEN TERMINAL POSITION																										
MX123 CONN ASSY 73 CKT GRY OPTO KEY B/27	345662133	C-HSG-B0	G-CAP-0-P	TPA-B0	RS	LS	MAL	CPA	MSEAL	RSEAL	72	-	-	69	68	67	66	-	-	63	62	61	-	-	-	-	56	-	-	-							
											52	-	-	-	-	47	-	-	44	-	42	-	-	-	38	-	-	-	34	-							
																						-	-	29	28	27	26	25	-	-	-	21	-	19	18	17	
																						-	-	14	-	-	-	-	-	-	-	-	-	-	-	-	-
MX123 CONN ASSY 73 CKT GRY OPTO KEY B/31	345662143	C-HSG-B0	G-CAP-0-P	TPA-B0	RS	LS	MAL	CPA	MSEAL	RSEAL	72	-	-	69	68	67	66	-	64	63	62	61	-	-	-	-	56	55	-	-							
											52	-	-	-	-	47	-	-	44	-	42	-	-	-	38	-	-	-	34	-							
																						-	-	29	28	27	26	25	-	-	-	21	-	19	18	17	
																						-	-	14	-	-	-	-	-	-	-	-	-	-	-	3	2
MX123 CONN ASSY 73 CKT BLK OPTO KEY A/41	345662153	C-HSG-A0	G-CAP-0-P	TPA-A0	RS	LS	MAL	CPA	MSEAL	RSEAL	72	71	-	69	-	-	-	-	64	63	62	61	60	59	-	-	56	-	54	53							
											52	51	50	-	48	-	46	45	-	-	-	-	40	-	38	-	36	35	34	33							
																						-	31	-	29	28	-	26	-	-	-	22	-	-	-	-	17
																						16	15	14	-	12	11	10	9	-	7	-	-	4	-	2	-
MX123 CONN ASSY 73 CKT BLK OPTO KEY A/40	345662163	C-HSG-A0	G-CAP-0-P	TPA-A0	RS	LS	MAL	CPA	MSEAL	RSEAL	72	71	-	69	68	-	-	65	64	63	62	-	60	59	-	57	56	-	-	53							
											52	51	50	-	48	-	46	-	-	-	-	40	-	38	-	36	35	-	33								
																						-	31	30	29	28	-	26	25	-	23	22	-	-	-	-	
																						16	-	14	-	12	-	10	-	8	7	-	-	4	-	2	-
MX123 CONN ASSY 73 CKT BLK OPTO KEY A/36	345662173	C-HSG-A0	G-CAP-0-P	TPA-A0	RS	LS	MAL	CPA	MSEAL	RSEAL	72	71	-	69	68	-	-	-	64	63	62	-	60	59	-	57	56	-	-	53							
											52	51	50	-	48	-	46	-	-	-	-	40	-	38	-	36	35	-	33								
																						-	31	-	29	28	-	26	-	-	23	22	-	-	-	-	
																						16	-	14	-	12	-	10	-	-	7	-	-	4	-	2	-
MX123 CONN ASSY 73 CKT BLK OPTO KEY A/44	345662183	C-HSG-A0	G-CAP-0-P	TPA-A0	RS	LS	MAL	CPA	MSEAL	RSEAL	72	71	-	69	68	-	-	65	64	63	62	61	60	59	-	-	56	-	54	53							
											52	51	50	-	48	-	46	45	-	-	-	-	40	-	38	-	36	35	34	33							
																						-	31	30	29	28	-	26	25	-	23	22	-	-	-	-	
																						16	-	14	-	12	11	10	-	8	7	-	-	4	-	2	-
MX123 CONN ASSY 73 CKT BLK OPTO KEY A/40	345662193	C-HSG-A0	G-CAP-0-P	TPA-A0	RS	LS	MAL	CPA	MSEAL	RSEAL	72	71	-	69	68	-	-	-	64	63	62	61	60	59	-	-	56	-	54	53							
											52	51	50	-	48	-	46	45	-	-	-	-	40	-	38	-	36	35	34	33							
																						-	31	-	29	28	-	26	-	-	23	22	-	-	-	-	
																						16	-	14	-	12	11	10	-	-	7	-	-	4	-	2	-
MX123 CONN ASSY 73 CKT BLK OPTO KEY A/24	345662223	C-HSG-A0	G-CAP-0-P	TPA-A0	RS	LS	MAL	CPA	MSEAL	RSEAL	-	-	-	-	-	-	-	65	-	-	-	61	-	-	58	57	56	-	-	-							
											-	51	50	-	-	47	-	45	-	-	-	41	-	-	38	37	36	-	-	-							
																						-	31	30	-	28	-	26	25	-	-	22	21	20	-	-	-
																						-	15	-	-	-	-	10	-	-	-	-	-	-	-	-	-
MX123 CONN ASSY 73 CKT BLK OPTO KEY A/48	345662233	C-HSG-A0	G-CAP-0-P	TPA-A0	RS	LS	MAL	CPA	MSEAL	RSEAL	72	71	70	-	68	67	66	65	64	-	62	61	60	59	-	57	-	55	-	-							
											-	-	50	-	48	47	46	45	-	-	-	-	40	39	38	37	-	-	-	-							
																						-	31	30	29	-	27	-	25	24	23	22	21	20	-	-	17
																						-	15	14	13	-	11	-	9	8	7	6	5	4	-	2	1
MX123 CONN ASSY 73 CKT BLK OPTO KEY A/24	345662253	C-HSG-A0	G-CAP-0-P	TPA-A0	RS	LS	MAL	CPA	MSEAL	RSEAL	-	-	-	-	-	67	-	-	-	-	62	-	60	-	-	57	-	55	-	-							
											-	51	-	-	48	-	46	45	44	43	-	-	40	39	-	-	-	35	-	-							
																						-	-	-	-	-	-	25	-	-	-	-	-	-	-	-	
																						-	15	14	-	-	-	-	-	-	7	6	5	4	3	2	-
MX123 CONN ASSY 73 CKT BLK OPTO KEY A/44	345662263	C-HSG-A0	G-CAP-0-P	TPA-A0	RS	LS	MAL	CPA	MSEAL	RSEAL	72	71	70	-	68	67	66	65	64	-	62	61	60	59	-	57	-	-	-								
											-	-	-	-	48	47	46	45	-	-	-	-	40	39	38	37	-	-	-	-							
																						-	31	30	29	-	27	-	25	24	23	22	21	20	-	-	17
																						-	15	-	13	-	11	-	9	8	7	6	5	4	-	2	1
MX123 CONN ASSY 73 CKT BLK OPTO KEY A/36	345662273	C-HSG-A0	G-CAP-0-P	TPA-A0	RS	LS	MAL	CPA	MSEAL	RSEAL	72	71	70	-	68	67	66	65	64	-	-	-	60	59	-	-	-	-									
											-	-	-	-	48	47	46	45	-	-	-	-	40	39	38	-	-	-	-								
																						-	31	30	-	-	-	25	24	23	22	21	20	-	-	17	
																						-	15	-	-	-	-	9	8	7	6	5	4	-	2	1	

ASSEMBLY DESCRIPTION	ASSEMBLY PART NUMBER	CONNECTOR HOUSING	GROMMET CAP	TPA	RIGHT SLIDE	LEFT SLIDE	MATE ASSIST LEVER	CPA	MAT SEAL	RING SEAL	BLOCKED TERMINALS																				STATUS	COMMENTS	INTEGRAL COMPONENTS SOLD SEPARATELY			
											CAVITY WITH A NUMBER INDICATES BLOCKED TERMINAL POSITION																						DRESS COVER			
											CAVITY WITHOUT A NUMBER INDICATES OPEN TERMINAL POSITION																									
MX123 CONN ASSY 73 CKT GRY OPTO KEY B/52	345662283	C-HSG-B0	G-CAP-0-P	TPA-B0	RS	LS	MAL	CPA	MSEAL	RSEAL	72	71	70	69	-	-	-	-	-	-	62	61	60	59	58	57	56	-	54	53						
											52	51	50	-	-	47	-	-	-	-	42	41	40	39	38	37	36	35	34	33						
																					-	31	-	-	-	-	26	25	24	23	22	21	20	19	18	-
																					-	15	14	13	12	11	-	9	8	7	6	5	4	3	2	1
MX123 CONN ASSY 73 CKT BLU OPTO KEY C/44	345662293	C-HSG-C0	G-CAP-0-P	TPA-C0	RS	LS	MAL	CPA	MSEAL	RSEAL	-	71	-	69	-	67	-	65	64	-	62	61	60	-	58	-	56	55	54	-						
											-	-	50	49	-	-	-	45	-	43	-	41	-	-	38	37	36	35	-	-						
																					32	31	-	29	28	27	-	-	24	23	-	-	20	19	18	17
																					16	-	-	13	12	11	-	-	8	7	-	5	4	3	2	1
MX123 CONN ASSY 73 CKT BLU OPTO KEY C/47	345662313	C-HSG-C0	G-CAP-0-P	TPA-C0	RS	LS	MAL	CPA	MSEAL	RSEAL	-	71	-	69	68	67	-	65	64	-	62	61	60	-	58	-	56	55	54	-						
											-	-	50	49	48	47	-	45	-	43	-	41	-	-	38	37	36	35	-	-						
																					32	31	-	29	28	27	-	-	24	23	-	-	20	19	18	17
																					16	-	-	13	12	11	-	-	8	7	-	5	4	3	2	1
MX123 CONN ASSY 73 CKT BLU OPTO KEY C/41	345662323	C-HSG-C0	G-CAP-0-P	TPA-C0	RS	LS	MAL	CPA	MSEAL	RSEAL	-	71	-	69	-	67	-	65	64	-	62	61	60	-	58	-	56	55	54	-						
											-	-	50	49	-	-	-	45	-	43	-	41	-	-	38	37	36	35	-	-						
																					32	31	-	29	28	27	-	-	24	23	-	-	19	18	17	
																					16	-	-	13	12	11	-	-	8	7	-	-	3	2	1	
MX123 CONN ASSY 73 CKT BLK OPTO KEY A/33	345662333	C-HSG-A0	G-CAP-0-P	TPA-A0	RS	LS	MAL	CPA	MSEAL	RSEAL	72	-	70	-	-	67	66	-	-	-	62	-	60	-	58	-	-	55	54	53						
											-	51	-	-	48	-	46	45	44	43	42	-	40	-	-	-	-	35	-	-						
																					-	-	-	-	-	-	26	25	-	-	-	21	-	-	-	17
																					-	15	14	-	-	-	-	-	8	7	6	5	4	3	2	-
MX123 CONN ASSY 73 CKT BLK OPTO KEY A/36	345662343	C-HSG-A0	G-CAP-0-P	TPA-A0	RS	LS	MAL	CPA	MSEAL	RSEAL	-	71	-	69	-	-	-	-	64	63	62	61	60	59	-	-	56	-	54	53						
											52	51	50	-	48	-	46	45	-	-	-	-	40	-	38	-	36	-	34	33						
																					-	31	-	29	28	-	26	-	-	23	22	-	-	-	-	-
																					16	-	-	-	12	11	10	-	-	7	-	-	4	-	2	-
MX123 CONN ASSY 73 CKT BLK OPTO KEY A/37	345662353	C-HSG-A0	G-CAP-0-P	TPA-A0	RS	LS	MAL	CPA	MSEAL	RSEAL	-	71	-	69	68	-	-	-	64	63	62	61	60	59	-	-	56	-	54	53						
											52	51	50	-	48	-	46	45	-	-	-	-	40	-	38	-	36	-	34	33						
																					-	31	-	29	28	-	26	-	-	23	22	-	-	-	-	-
																					16	-	-	-	12	11	10	-	-	7	-	-	4	-	2	-
MX123 CONN ASSY 73 CKT BLU OPTO KEY C/39	345662363	C-HSG-C0	G-CAP-0-P	TPA-C0	RS	LS	MAL	CPA	MSEAL	RSEAL	-	71	-	69	68	-	-	65	64	-	-	61	60	-	58	-	56	55	54	-						
											-	-	50	49	48	47	-	45	-	43	-	41	-	-	37	36	35	-	-							
																					-	31	-	29	28	-	-	24	23	-	-	-	19	18	17	
																					16	-	-	13	12	11	-	-	8	7	-	-	3	2	1	
MX123 CONN ASSY 73 CKT GRY OPTO KEY B/21	345662373	C-HSG-B0	G-CAP-0-P	TPA-B0	RS	LS	MAL	CPA	MSEAL	RSEAL	72	71	70	69	-	-	-	-	-	63	62	-	-	-	-	56	-	-	-							
											52	-	-	-	-	-	-	-	44	-	-	-	-	-	-	36	-	-	-							
																					-	-	-	29	28	27	-	25	-	-	-	-	19	18	17	
																					-	-	-	-	12	11	-	-	-	-	-	-	-	-	-	1
MX123 CONN ASSY 73 CKT GRY OPTO KEY B/50	345662383	C-HSG-B0	G-CAP-0-P	TPA-B0	RS	LS	MAL	CPA	MSEAL	RSEAL	72	71	70	69	68	67	66	-	64	63	62	61	60	-	58	-	56	-	54	-						
											52	51	-	-	-	47	-	45	44	43	42	41	40	-	38	-	36	-	34	-						
																					32	31	30	-	28	27	26	25	-	-	22	-	20	19	18	17
																					16	-	14	13	12	11	10	9	8	-	-	-	-	2	1	
MX123 CONN ASSY 73 CKT GRY OPTO KEY B/50	345662393	C-HSG-B0	G-CAP-0-P	TPA-B0	RS	LS	MAL	CPA	MSEAL	RSEAL	72	71	70	69	68	67	66	65	64	63	62	61	60	-	58	-	56	-	54	-						
											52	51	-	-	-	47	-	45	44	43	42	41	40	-	38	-	36	-	34	-						
																					32	31	30	-	28	27	26	25	24	-	22	-	20	19	18	-
																					16	-	14	13	-	11	10	9	8	-	-	-	-	2	1	
MX123 CONN ASSY 73 CKT BLK OPTO KEY A/38	345662413	C-HSG-A0	G-CAP-0-P	TPA-A0	RS	LS	MAL	CPA	MSEAL	RSEAL	72	71	-	69	68	-	-	-	64	63	62	61	60	59	-	-	56	-	54	53						
											52	51	50	-	48	-	46	45	-	-	-	-	40	-	38	-	36	-	34	33						
																					-	31	-	29	28	-	26	-	-	23	22	-	-	-	-	-
																					16	-	-	-	12	11	10	-	-	7	-	-	4	-	2	-

ASSEMBLY DESCRIPTION	ASSEMBLY PART NUMBER	CONNECTOR HOUSING	GROMMET CAP	TPA	RIGHT SLIDE	LEFT SLIDE	MATE ASSIST LEVER	CPA	MAT SEAL	RING SEAL	BLOCKED TERMINALS																		STATUS	COMMENTS	INTEGRAL COMPONENTS SOLD SEPARATELY
											CAVITY WITH A NUMBER INDICATES BLOCKED TERMINAL POSITION																				DRESS COVER
											CAVITY WITHOUT A NUMBER INDICATES OPEN TERMINAL POSITION																				
MX123 CONN ASSY 73 CKT BLU OPT0 KEY C/45	345662543	C-HSG-C0	G-CAP-0-P	TPA-C0	RS	LS	MAL	CPA	MSEAL	RSEAL	-	71	-	69	68	67	-	65	64	-	62	61	60	-	58	-	56	55	54	-	
											-	-	50	49	48	47	-	45	-	43	-	41	-	-	38	37	36	35	-	-	
														-	31	-	29	28	-	-	-	24	23	-	-	20	19	18	17		
											-	16	-	-	13	12	11	-	-	8	7	-	5	4	3	2	1				
MX123 CONN ASSY 73 CKT GRY OPT9 KEY B/24	345662553	C-HSG-B9	G-CAP-9-P	TPA-B9	RS	LS	MAL	CPA	MSEAL	RSEAL	-	-	-	69	-	-	-	65	64	63	-	-	-	-	-	-	-	-	-		
											-	-	-	49	-	-	-	45	44	43	-	-	-	-	-	-	-	-	-		
														-	-	-	-	-	-	-	-	-	22	21	20	19	18	17			
											-	-	-	-	12	11	-	-	-	7	6	5	4	3	2	1					
MX123 CONN ASSY 73 CKT BLK OPT9 KEY A/36	345662563	C-HSG-A9	G-CAP-9-P	TPA-A9	RS	LS	MAL	CPA	MSEAL	RSEAL	72	71	70	-	68	67	66	65	64	-	-	-	60	59	-	-	-	-	-	-	
											-	-	-	-	48	47	46	45	-	-	-	-	40	39	38	-	-	-	-	-	
														-	31	30	-	-	-	-	25	24	23	22	21	20	-	-	17		
											-	15	-	-	-	-	-	9	8	7	6	5	4	-	2	1					
MX123 CONN ASSY 73 CKT BLU OPT9 KEY C/42	345662573	C-HSG-C9	G-CAP-9-P	TPA-C9	RS	LS	MAL	CPA	MSEAL	RSEAL	-	71	-	69	68	-	-	65	64	-	-	61	60	-	58	-	56	55	54	-	
											-	-	50	49	48	47	-	45	-	43	-	41	-	-	38	37	36	35	-	-	
														32	31	-	29	28	27	-	-	24	23	-	-	-	19	18	17		
											16	-	-	13	12	11	-	-	8	7	-	-	-	3	2	1					
MX123 CONN ASSY 73 CKT BLK OPT0 KEY A/43	345662583	C-HSG-A0	G-CAP-0-P	TPA-A0	RS	LS	MAL	CPA	MSEAL	RSEAL	72	71	70	-	68	67	66	65	64	-	62	61	60	59	-	57	-	-	-	-	
											-	-	-	-	48	47	46	45	-	-	-	-	40	-	38	37	-	-	-	-	
														-	31	30	29	-	27	-	25	24	23	22	21	20	-	-	17		
											-	15	-	13	-	11	-	9	8	7	6	5	4	-	2	1					
MX123 CONN ASSY 73 CKT BLU OPT0 KEY C/44	345662593	C-HSG-C0	G-CAP-0-P	TPA-C0	RS	LS	MAL	CPA	MSEAL	RSEAL	-	71	-	69	68	67	-	65	64	-	-	61	60	-	58	-	56	55	54	-	
											-	-	50	49	48	47	-	45	-	43	-	41	-	-	38	37	36	35	-	-	
														-	31	-	29	28	-	-	-	24	23	-	-	20	19	18	17		
											16	-	-	13	12	11	-	-	8	7	-	5	4	3	2	1					
MX123 CONN ASSY 73 CKT GRY OPT0 KEY B/53	345662603	C-HSG-B0	G-CAP-0-P	TPA-B0	RS	LS	MAL	CPA	MSEAL	RSEAL	72	71	70	69	68	-	-	-	64	63	62	61	60	-	58	-	56	-	54	-	
											52	51	50	-	-	-	46	45	-	43	42	41	40	-	38	-	36	-	34	-	
														32	31	30	-	-	27	26	25	24	-	22	-	20	19	18	17		
											16	15	14	13	12	11	10	9	8	-	6	5	4	3	2	1					
MX123 CONN ASSY 73 CKT BLU OPT9 KEY C/41	345662613	C-HSG-C9	G-CAP-9-P	TPA-C9	RS	LS	MAL	CPA	MSEAL	RSEAL	-	71	-	69	68	-	-	65	64	-	-	61	60	-	58	-	56	55	54	-	
											-	-	50	49	48	47	-	45	-	43	-	41	-	-	38	37	36	35	-	-	
														32	31	-	29	28	-	-	-	24	23	-	-	-	19	18	17		
											16	-	-	13	12	11	-	-	8	7	-	-	-	3	2	1					
MX123 CONN ASSY 73 CKT BLK OPT0 KEY A/34	345662623	C-HSG-A0	G-CAP-0-P	TPA-A0	RS	LS	MAL	CPA	MSEAL	RSEAL	72	-	70	-	-	-	66	-	-	63	62	-	60	-	58	-	-	55	54	53	
											52	51	-	-	48	-	46	45	44	43	42	-	40	39	-	-	-	35	-	-	
														-	-	-	-	-	-	26	25	-	-	22	21	-	-	-	17		
											-	15	14	-	-	-	-	8	-	6	5	-	3	2	1						
MX123 CONN ASSY 73 CKT BLK OPT0 KEY A/38	345662633	C-HSG-A0	G-CAP-0-P	TPA-A0	RS	LS	MAL	CPA	MSEAL	RSEAL	72	-	70	-	-	-	66	-	-	63	62	-	60	-	58	-	-	55	54	53	
											52	51	-	-	48	-	46	45	44	43	42	-	40	39	-	-	-	35	34	-	
														-	-	-	-	-	-	26	25	-	-	22	21	-	-	-	17		
											-	15	14	13	12	-	-	-	8	-	6	5	-	3	2	1					
MX123 CONN ASSY 73 CKT BLK OPT0 KEY A/32	345662643	C-HSG-A0	G-CAP-0-P	TPA-A0	RS	LS	MAL	CPA	MSEAL	RSEAL	72	-	70	-	-	-	66	-	-	62	-	60	-	58	-	-	55	54	53		
											52	51	-	-	48	-	46	45	44	43	42	-	40	-	-	-	-	35	-	-	
														-	-	-	-	-	-	26	25	-	-	-	21	-	-	-	17		
											-	15	14	-	-	-	-	8	-	6	5	-	3	2	1						
MX123 CONN ASSY 73 CKT BLK OPT0 KEY A/36	345662653	C-HSG-A0	G-CAP-0-P	TPA-A0	RS	LS	MAL	CPA	MSEAL	RSEAL	72	-	70	-	-	-	66	-	-	63	62	-	60	-	58	-	-	55	54	53	
											52	51	-	-	48	-	46	45	44	43	42	-	40	-	-	-	-	35	34	-	
														-	-	-	-	-	-	26	25	-	-	-	21	-	-	-	17		
											-	15	14	13	12	-	-	-	8	-	6	5	-	3	2	1					

ASSEMBLY DESCRIPTION	ASSEMBLY PART NUMBER	CONNECTOR HOUSING	GROMMET CAP	TPA	RIGHT SLIDE	LEFT SLIDE	MATE ASSIST LEVER	CPA	MAT SEAL	RING SEAL	BLOCKED TERMINALS																		STATUS	COMMENTS	INTEGRAL COMPONENTS SOLD SEPARATELY													
											CAVITY WITH A NUMBER INDICATES BLOCKED TERMINAL POSITION																				DRESS COVER													
											CAVITY WITHOUT A NUMBER INDICATES OPEN TERMINAL POSITION																																	
MX123 CONN ASSY 73 CKT GRY OPT0 KEY B/27	345662693	C-HSG-B0	G-CAP-0-P	TPA-B0	RS	LS	MAL	CPA	MSEAL	RSEAL	72	-	-	69	-	67	-	-	64	63	62	61	-	-	-	-	56	55	-	-														
											52	-	-	-	-	47	-	-	44	-	-	-	-	-	-	-	-	-	-	-	-	-	34	-										
																													-	-	-	29	28	27	26	25	-	-	-	21	-	19	18	17
																													-	-	14	-	-	-	-	-	-	-	-	-	-	-	3	2
MX123 CONN ASSY 73 CKT GRY OPT0 KEY B/55	345662703	C-HSG-B0	G-CAP-0-P	TPA-B0	RS	LS	MAL	CPA	MSEAL	RSEAL	72	71	70	69	68	67	66	-	64	63	62	61	60	-	58	-	56	-	54	-														
											52	51	50	-	-	-	46	45	-	43	42	41	40	-	38	-	36	-	34	-														
																													32	31	30	-	-	27	26	25	24	-	22	-	20	19	18	17
																													16	15	14	13	12	11	10	9	8	-	6	5	4	3	2	1
MX123 CONN ASSY 73 CKT BLK OPT0 KEY A/33	345662713	C-HSG-A0	G-CAP-0-P	TPA-A0	RS	LS	MAL	CPA	MSEAL	RSEAL	72	71	70	-	-	67	66	-	-	-	62	-	-	-	-	57	-	55	54	53														
											-	51	-	-	48	-	46	45	44	43	42	-	40	39	-	-	-	35	-	-														
																													-	-	-	-	-	-	26	-	-	-	22	21	-	-	-	-
																													-	15	14	-	-	-	-	-	-	8	7	6	5	4	3	2
MX123 CONN ASSY 73 CKT GRY OPT0 KEY B/20	345662723	C-HSG-B0	G-CAP-0-P	TPA-B0	RS	LS	MAL	CPA	MSEAL	RSEAL	72	-	-	69	-	67	-	-	-	-	62	61	-	-	-	-	-	-	-	-														
											52	-	-	-	-	47	-	-	44	-	-	-	-	-	-	-	-	-	-	34	-													
																													-	-	-	29	28	27	26	25	-	-	-	21	-	-	18	17
																													-	-	14	-	-	-	-	-	-	-	-	-	-	-	-	-
MX123 CONN ASSY 73 CKT BLK OPT0 KEY A/35	345662733	C-HSG-A0	G-CAP-0-P	TPA-A0	RS	LS	MAL	CPA	MSEAL	RSEAL	72	71	-	69	-	-	-	-	64	63	62	61	60	59	-	-	56	-	54	53														
											52	51	50	-	48	-	46	45	-	-	-	-	40	-	38	-	36	35	34	33														
																													-	31	-	29	28	-	26	-	-	-	22	-	-	-	-	-
																													-	-	14	-	12	11	-	-	-	7	-	-	4	-	-	-
MX123 CONN ASSY 73 CKT BLU OPT0 KEY C/41	345662743	C-HSG-C0	G-CAP-0-P	TPA-C0	RS	LS	MAL	CPA	MSEAL	RSEAL	-	71	-	69	68	-	-	65	64	-	-	61	60	-	58	-	56	55	54	-														
											-	-	50	49	48	47	-	45	-	43	-	41	-	38	37	36	35	-	-															
																													-	31	-	29	28	27	-	24	23	-	-	-	19	18	17	
																													16	-	-	13	12	11	-	-	8	7	-	-	-	3	2	1
MX123 CONN ASSY 73 CKT BLK OPT0 KEY A/38	345662753	C-HSG-A0	G-CAP-0-P	TPA-A0	RS	LS	MAL	CPA	MSEAL	RSEAL	72	71	70	69	68	67	66	65	64	-	-	-	60	59	-	-	-	-	-	-														
											-	-	50	-	48	47	46	45	-	-	-	-	40	39	38	-	-	-	-	-														
																													-	31	30	-	-	-	-	25	24	23	22	21	20	-	-	17
																													-	-	14	-	-	-	-	9	8	7	6	5	4	-	2	1
MX123 CONN ASSY 73 CKT GRY OPT0 KEY B/25	345662763	C-HSG-B0	G-CAP-0-P	TPA-B0	RS	LS	MAL	CPA	MSEAL	RSEAL	-	-	-	69	-	-	-	65	64	63	-	-	-	-	-	-	-	-	-															
											-	-	-	49	-	-	-	45	44	43	-	-	-	-	-	-	-	-	-															
																													-	-	-	-	-	-	-	-	-	23	22	21	20	19	18	17
																													-	-	-	-	12	11	-	-	-	7	6	5	4	3	2	1
MX123 CONN ASSY 73 CKT BLK OPT9 KEY A/43	345662793	C-HSG-A9	G-CAP-9-P	TPA-A9	RS	LS	MAL	CPA	MSEAL	RSEAL	72	71	70	69	68	-	-	65	64	63	62	61	60	59	58	57	56	55	54	53														
											52	51	50	49	-	-	46	45	44	43	42	-	40	39	38	37	36	35	34	33														
																													-	-	-	-	28	-	26	-	24	23	-	-	20	-	-	-
																													-	-	-	-	12	-	-	-	-	-	-	-	-	-	2	-
MX123 CONN ASSY 73 CKT GRY OPT9 KEY B/22	345662813	C-HSG-B9	G-CAP-9-P	TPA-B9	RS	LS	MAL	CPA	MSEAL	RSEAL	-	-	-	-	-	-	-	-	64	63	62	-	-	59	58	-	-	-	-	53														
											-	-	-	-	-	47	-	45	-	43	42	41	-	39	38	-	-	35	34	33														
																													-	-	-	-	-	-	26	-	-	23	22	-	-	19	-	17
																													-	15	-	-	-	-	-	-	-	8	-	-	5	-	-	-
MX123 CONN ASSY 73 CKT BLK OPT0 KEY A/46	345662823	C-HSG-A0	G-CAP-0-P	TPA-A0	RS	LS	MAL	CPA	MSEAL	RSEAL	72	71	70	69	68	-	-	65	64	63	62	61	60	59	58	57	56	55	54	53														
											52	51	50	49	48	-	46	45	44	43	42	-	40	39	38	37	36	35	34	33														
																													-	-	-	-	28	-	26	-	24	23	-	-	20	-	-	-
																													-	-	-	-	12	11	-	-	-	-	-	-	-	-	2	1
MX123 CONN ASSY 73 CKT GRY OPT0 KEY B/26	345662833	C-HSG-B0	G-CAP-0-P	TPA-B0	RS	LS	MAL	CPA	MSEAL	RSEAL	-	-	-	-	-	-	-	-	64	63	62	-	-	59	58	-	-	-	-	53														
											-	-	-	-	-	47	-	45	-	43	42	41	-	39	38	-	-	35	34	33														
																													-	-	-	-	-	-	26	25	-	23	22	-	-	-	-	-
																													-	15	-	-	-	-	-	-	-	8	-	-	5	-	3	-

ASSEMBLY DESCRIPTION	ASSEMBLY PART NUMBER	CONNECTOR HOUSING	GROMMET CAP	TPA	RIGHT SLIDE	LEFT SLIDE	MATE ASSIST LEVER	CPA	MAT SEAL	RING SEAL	BLOCKED TERMINALS																				STATUS	COMMENTS	INTEGRAL COMPONENTS SOLD SEPARATELY	
											CAVITY WITH A NUMBER INDICATES BLOCKED TERMINAL POSITION																						DRESS COVER	
											CAVITY WITHOUT A NUMBER INDICATES OPEN TERMINAL POSITION																							
MX123 CONN ASSY 73 CKT BLK OPTO KEY A/44	345662843	C-HSG-A0	G-CAP-0-P	TPA-A0	RS	LS	MAL	CPA	MSEAL	RSEAL	72	71	70	69	68	-	-	65	64	63	62	61	60	59	58	57	56	55	54	53	SALEABLE		345650003	
											52	51	50	49	48	-	46	45	44	43	42	-	40	39	38	37	36	35	34	33				
															-	-	-	-	28	-	26	-	24	23	-	-	20	-	-	-				-
MX123 CONN ASSY 73 CKT GRY OPTO KEY B/24	345662853	C-HSG-B0	G-CAP-0-P	TPA-B0	RS	LS	MAL	CPA	MSEAL	RSEAL	-	-	-	-	-	-	-	-	-	62	-	-	59	58	-	-	-	-	53	SALEABLE		345650003		
											-	-	-	-	-	47	-	45	-	43	42	41	-	39	38	-	-	35	34				33	
															-	-	-	-	-	-	26	25	-	23	22	-	-	-	-				-	17
MX123 CONN ASSY 73 CKT BLK OPTO KEY A/23	345662863	C-HSG-A0	G-CAP-0-P	TPA-A0	RS	LS	MAL	CPA	MSEAL	RSEAL	-	-	-	-	-	-	65	-	-	-	61	-	-	58	57	56	-	-	-	SALEABLE		345650003		
											-	51	50	-	-	47	-	45	-	-	-	41	-	-	38	37	36	-	-				-	
															-	31	30	-	-	-	26	25	-	-	22	21	20	-	-				-	-
MX123 CONN ASSY 73 CKT GRY OPTO KEY B/37	345662873	C-HSG-B0	G-CAP-0-P	TPA-B0	RS	LS	MAL	CPA	MSEAL	RSEAL	-	-	-	-	-	-	65	64	63	62	61	60	-	-	-	-	-	54	-	SALEABLE		345650003		
											-	-	-	-	-	-	46	45	44	43	42	41	40	-	-	-	-	-	-				34	-
															32	31	30	29	28	27	26	25	24	-	-	-	20	19	18				17	-
MX123 CONN ASSY 73 CKT BLK OPTO KEY A/39	345662883	C-HSG-A0	G-CAP-0-P	TPA-A0	RS	LS	MAL	CPA	MSEAL	RSEAL	72	71	-	-	68	67	66	65	64	-	-	-	60	59	-	-	-	-	-	SALEABLE		345650003		
											-	-	50	-	48	47	46	45	-	-	-	-	40	39	38	-	-	35	-				33	
															-	31	30	-	-	-	-	25	24	23	22	21	20	-	-				17	-
MX123 CONN ASSY 73 CKT BLK OPTO KEY A/35	345662893	C-HSG-A0	G-CAP-0-P	TPA-A0	RS	LS	MAL	CPA	MSEAL	RSEAL	-	71	70	-	68	-	66	-	64	-	62	61	-	59	58	-	-	55	54	-	SALEABLE		345650003	
											52	51	50	-	48	-	-	45	-	-	42	41	-	39	38	-	-	-	34	-				
															32	-	-	-	-	27	26	25	-	23	22	-	-	19	18	-				-
MX123 CONN ASSY 73 CKT BLK OPTO KEY A/24	345662903	C-HSG-A0	G-CAP-0-P	TPA-A0	RS	LS	MAL	CPA	MSEAL	RSEAL	-	-	-	-	-	-	65	-	-	-	-	60	-	58	57	56	-	-	-	SALEABLE		345650003		
											-	-	50	-	-	47	46	45	-	-	-	-	40	-	38	37	36	-	-				-	
															-	-	30	-	28	-	26	-	24	-	22	21	20	-	-				-	-
MX123 CONN ASSY 73 CKT GRY OPTO KEY B/55	345662913	C-HSG-B0	G-CAP-0-P	TPA-B0	RS	LS	MAL	CPA	MSEAL	RSEAL	72	71	70	69	-	-	66	65	-	63	62	61	60	59	-	57	56	55	54	53	SALEABLE		345650003	
											52	51	50	49	48	47	-	-	44	43	42	41	40	39	-	37	36	35	34	33				
															-	31	-	-	-	-	26	25	24	23	-	21	20	19	18	-				-
MX123 CONN ASSY 73 CKT GRY OPTO KEY B/59	345662923	C-HSG-B0	G-CAP-0-P	TPA-B0	RS	LS	MAL	CPA	MSEAL	RSEAL	72	71	70	69	-	-	66	65	-	63	62	61	60	59	58	57	56	55	54	53	SALEABLE		345650003	
											52	51	50	49	48	47	-	-	44	43	42	41	40	39	38	37	36	35	34	33				
															-	31	-	-	-	-	26	25	24	23	22	21	20	19	18	-				-
MX123 CONN ASSY 73 CKT BLK OPTO KEY A/37	345662933	C-HSG-A0	G-CAP-0-P	TPA-A0	RS	LS	MAL	CPA	MSEAL	RSEAL	-	71	70	-	68	-	66	-	64	-	62	61	-	59	58	-	-	55	54	-	SALEABLE		345650003	
											52	51	50	-	48	-	46	45	-	-	42	41	-	39	38	-	-	-	34	-				
															32	-	-	-	-	27	26	25	-	23	22	-	-	19	18	-				-
MX123 CONN ASSY 73 CKT GRY OPTO KEY B/23	345662943	C-HSG-B0	G-CAP-0-P	TPA-B0	RS	LS	MAL	CPA	MSEAL	RSEAL	72	71	70	69	-	-	66	65	-	-	62	61	60	-	58	-	56	55	54	53	SALEABLE		345650003	
											52	51	50	49	48	47	-	-	44	-	42	41	40	-	38	-	36	35	34	33				
															-	31	-	-	-	-	26	25	24	23	22	-	20	19	18	17				-
MX123 CONN ASSY 73 CKT GRY OPTO KEY B/21	345662953	C-HSG-B0	G-CAP-0-P	TPA-B0	RS	LS	MAL	CPA	MSEAL	RSEAL	72	71	70	69	-	-	66	65	-	-	62	61	60	-	58	57	56	55	54	53	SALEABLE		345650003	
											52	51	50	49	48	47	-	-	44	-	42	41	40	-	38	37	36	35	-	33				
															-	31	-	-	-	-	26	25	24	23	22	21	20	19	18	17				-

ASSEMBLY DESCRIPTION	ASSEMBLY PART NUMBER	CONNECTOR HOUSING	GROMMET CAP	TPA	RIGHT SLIDE	LEFT SLIDE	MATE ASSIST LEVER	CPA	MAT SEAL	RING SEAL	BLOCKED TERMINALS																		STATUS	COMMENTS	INTEGRAL COMPONENTS SOLD SEPARATELY		
											CAVITY WITH A NUMBER INDICATES BLOCKED TERMINAL POSITION																				DRESS COVER		
											CAVITY WITHOUT A NUMBER INDICATES OPEN TERMINAL POSITION																						
MX123 CONN ASSY 73 CKT GRY OPTO KEY B/32	345663123	C-HSG-B0	G-CAP-0-P	TPA-B0	RS	LS	MAL	CPA	MSEAL	RSEAL	-	71	-	69	-	67	-	65	64	63	62	61	-	-	58	57	56	-	-	-			
											-	51	-	49	-	47	-	45	44	43	42	41	-	-	38	37	36	-	-	-			
																													23	22	21	20	19
MX123 CONN ASSY 73 CKT BLU OPTO KEY C/36	345663133	C-HSG-C0	G-CAP-0-P	TPA-C0	RS	LS	MAL	CPA	MSEAL	RSEAL	-	71	-	69	-	-	-	65	64	-	-	61	60	-	58	-	56	55	54	-			
											-	-	50	49	-	-	-	45	-	43	-	41	-	-	38	37	36	35	-	-			
																													-	31	-	29	28
MX123 CONN ASSY 73 CKT BLU OPTO KEY C/31	345663143	C-HSG-C0	G-CAP-0-P	TPA-C0	RS	LS	MAL	CPA	MSEAL	RSEAL	-	71	-	69	68	67	-	65	64	-	-	61	60	-	58	-	56	55	54	-			
											-	-	50	49	48	47	-	45	-	43	-	41	-	-	38	-	-	35	-	-			
																													-	31	-	29	28
MX123 CONN ASSY 73 CKT BLK OPTO KEY A/26	345663153	C-HSG-A0	G-CAP-0-P	TPA-A0	RS	LS	MAL	CPA	MSEAL	RSEAL	72	71	-	-	68	67	66	65	64	-	62	61	60	59	-	57	-	55	-	53			
											-	-	50	-	48	-	46	45	-	-	-	-	40	39	38	37	-	35	-	33			
																													-	31	30	29	-
MX123 CONN ASSY 73 CKT BLU OPTO KEY C/35	345663163	C-HSG-C0	G-CAP-0-P	TPA-C0	RS	LS	MAL	CPA	MSEAL	RSEAL	-	71	-	69	68	67	66	65	64	-	-	61	60	-	58	-	-	-	54	-			
											-	-	50	49	48	47	-	45	-	43	-	41	-	-	38	-	-	35	-	-			
																													-	31	-	29	28
MX123 CONN ASSY 73 CKT BLK OPTO KEY A/29	345663173	C-HSG-A0	G-CAP-0-P	TPA-A0	RS	LS	MAL	CPA	MSEAL	RSEAL	72	71	-	-	68	67	66	65	64	-	62	61	60	59	-	57	-	55	-	53			
											-	-	50	-	48	-	46	45	-	-	-	-	40	39	38	37	-	35	-	33			
																													-	31	30	29	-
MX123 CONN ASSY 73 CKT BLU OPTO KEY C/30	345663183	C-HSG-C0	G-CAP-0-P	TPA-C0	RS	LS	MAL	CPA	MSEAL	RSEAL	-	71	-	69	68	67	-	65	64	-	-	61	60	-	58	-	-	-	54	-			
											-	-	50	49	48	47	-	45	-	43	-	41	-	-	38	37	36	35	-	-			
																													32	31	-	29	28
MX123 CONN ASSY 73 CKT BLK OPTO KEY A/31	345663193	C-HSG-A0	G-CAP-0-P	TPA-A0	RS	LS	MAL	CPA	MSEAL	RSEAL	72	71	70	-	68	67	66	65	64	-	62	61	60	59	-	57	-	-	-	-			
											-	-	50	-	48	47	46	45	-	-	-	-	40	39	38	37	-	-	-	-			
																													-	31	30	29	-
MX123 CONN ASSY 73 CKT GRY OPTO KEY B/42	345663203	C-HSG-B0	G-CAP-0-P	TPA-B0	RS	LS	MAL	CPA	MSEAL	RSEAL	72	71	70	69	68	-	66	65	64	63	62	61	-	-	-	-	-	54	-				
											52	51	-	-	-	47	-	45	44	43	42	41	40	-	-	-	-	36	-	-			
																													32	31	30	-	28
MX123 CONN ASSY 73 CKT BLU OPTO KEY C/31	345663213	C-HSG-C0	G-CAP-0-P	TPA-C0	RS	LS	MAL	CPA	MSEAL	RSEAL	-	71	-	69	68	-	-	65	64	-	-	61	60	-	58	57	-	55	54	-			
											-	-	50	49	48	47	-	45	-	43	-	41	-	39	38	37	36	35	-	-			
																													-	31	-	29	28
MX123 CONN ASSY 73 CKT BLU OPTO KEY C/33	345663223	C-HSG-C0	G-CAP-0-P	TPA-C0	RS	LS	MAL	CPA	MSEAL	RSEAL	-	71	-	69	68	-	-	65	64	-	-	61	60	-	58	-	56	55	54	-			
											-	-	50	49	48	47	-	45	-	43	-	41	-	-	38	37	36	35	-	-			
																													-	31	-	29	28
MX123 CONN ASSY 73 CKT BLK OPTO KEY A/36	345663233	C-HSG-A0	G-CAP-0-P	TPA-A0	RS	LS	MAL	CPA	MSEAL	RSEAL	72	71	-	-	68	67	66	65	64	-	-	-	60	59	-	-	-	-	-				
											-	-	50	-	48	47	46	45	-	-	-	-	40	39	38	-	-	35	-	33			
																													-	31	30	-	-

ASSEMBLY DESCRIPTION	ASSEMBLY PART NUMBER	CONNECTOR HOUSING	GROMMET CAP	TPA	RIGHT SLIDE	LEFT SLIDE	MATE ASSIST LEVER	CPA	MAT SEAL	RING SEAL	BLOCKED TERMINALS																		STATUS	COMMENTS	INTEGRAL COMPONENTS SOLD SEPARATELY
											CAVITY WITH A NUMBER INDICATES BLOCKED TERMINAL POSITION																				DRESS COVER
											CAVITY WITHOUT A NUMBER INDICATES OPEN TERMINAL POSITION																				
MX123 CONN ASSY 73 CKT BLU OPTO KEY C/31	345663243	C-HSG-C0	G-CAP-0-P	TPA-C0	RS	LS	MAL	CPA	MSEAL	RSEAL	-	71	-	69	68	67	-	65	64	-	-	61	60	-	58	-	56	55	54	-	
											-	-	50	49	48	47	-	45	-	43	-	41	-	-	38	37	36	35	-	-	
															-	31	-	29	28	27	-	-	24	23	-	-	20	19	18	17	
															16	-	-	13	12	11	-	-	8	7	-	-	-	3	2	1	
MX123 CONN ASSY 73 CKT BLK OPTO KEY A/28	345663253	C-HSG-A0	G-CAP-0-P	TPA-A0	RS	LS	MAL	CPA	MSEAL	RSEAL	72	71	-	-	68	67	66	65	64	-	62	61	60	59	-	57	-	-	-	-	
											-	-	50	-	48	47	46	45	-	-	-	-	40	39	38	37	-	35	-	33	
															-	31	30	29	-	27	-	25	24	23	22	21	20	-	-	17	
															-	-	14	13	-	11	-	9	8	7	6	5	4	-	2	1	
MX123 CONN ASSY 73 CKT BLU OPTO KEY C/36	345663263	C-HSG-C0	G-CAP-0-P	TPA-C0	RS	LS	MAL	CPA	MSEAL	RSEAL	-	71	-	69	68	67	-	65	64	-	-	61	60	-	58	-	-	-	54	-	
											-	-	50	49	48	47	-	45	-	43	-	41	-	-	38	37	36	35	-	-	
															-	31	-	29	28	27	-	-	24	23	-	-	20	-	-	17	
															16	-	-	13	12	11	-	-	8	7	-	-	-	-	2	1	
MX123 CONN ASSY 73 CKT BLK OPTO KEY A/31	345663273	C-HSG-A0	G-CAP-0-P	TPA-A0	RS	LS	MAL	CPA	MSEAL	RSEAL	72	71	-	-	68	67	66	65	64	-	62	61	60	59	-	57	-	-	-	-	
											-	-	50	-	48	47	46	45	-	-	-	-	40	39	38	37	-	35	-	33	
															-	31	30	29	-	27	-	25	24	23	22	21	20	-	-	-	
															-	-	14	13	-	11	-	9	8	7	6	5	4	-	-	-	
MX123 CONN ASSY 73 CKT BLU OPTO KEY C/31	345663283	C-HSG-C0	G-CAP-0-P	TPA-C0	RS	LS	MAL	CPA	MSEAL	RSEAL	-	71	-	69	68	-	-	65	64	-	-	61	60	-	58	-	56	55	54	-	
											-	-	50	49	48	47	-	45	-	43	-	41	-	-	38	37	36	35	-	-	
															32	31	-	29	28	27	-	-	24	23	-	-	20	19	18	17	
															16	-	-	13	12	11	-	-	8	7	-	-	-	3	2	1	
MX123 CONN ASSY 73 CKT GRY OPTO KEY B/49	345663293	C-HSG-B0	G-CAP-0-P	TPA-B0	RS	LS	MAL	CPA	MSEAL	RSEAL	-	-	-	69	-	-	-	65	64	63	-	-	-	-	-	-	-	-	-		
											-	-	-	49	-	-	46	45	44	43	-	-	-	-	-	-	-	-	-	-	
															-	-	-	-	-	-	-	-	-	22	21	20	19	18	17		
															-	-	-	-	12	11	-	-	-	7	6	5	4	3	2	1	
MX123 CONN ASSY 73 CKT GRY OPTO KEY B/44	345663303	C-HSG-B0	G-CAP-0-P	TPA-B0	RS	LS	MAL	CPA	MSEAL	RSEAL	72	71	70	69	68	67	66	65	64	63	62	61	60	-	-	-	-	-	54	-	
											52	51	-	-	-	47	-	45	44	43	42	41	40	-	-	-	36	-	-	-	
															32	31	30	-	28	27	26	25	24	-	-	-	20	19	-	17	
															-	-	-	13	12	11	10	9	8	-	-	-	-	-	2	1	
MX123 CONN ASSY 73 CKT BLU OPTO KEY C/28	345663313	C-HSG-C0	G-CAP-0-P	TPA-C0	RS	LS	MAL	CPA	MSEAL	RSEAL	-	71	-	69	68	67	66	65	64	-	-	61	60	-	58	-	56	55	54	-	
											-	-	50	49	48	47	-	45	-	43	-	41	-	-	38	37	36	35	-	-	
															-	31	-	29	28	27	-	-	24	23	-	-	20	19	18	17	
															16	-	-	13	12	11	10	9	8	7	-	-	-	3	2	1	
MX123 CONN ASSY 73 CKT GRY OPTO KEY B/25	345663323	C-HSG-B0	G-CAP-0-P	TPA-B0	RS	LS	MAL	CPA	MSEAL	RSEAL	72	71	70	69	-	-	-	-	-	62	61	60	59	-	57	56	-	54	53		
											52	51	50	-	-	47	-	-	-	-	42	41	40	39	-	37	36	35	34	33	
															-	31	-	-	-	-	26	25	24	23	-	21	20	19	18	-	
															-	15	14	13	12	11	-	9	8	7	6	5	4	3	2	1	
MX123 CONN ASSY 73 CKT BLK OPTO KEY A/49	345663333	C-HSG-A0	G-CAP-0-P	TPA-A0	RS	LS	MAL	CPA	MSEAL	RSEAL	-	-	-	-	-	67	66	-	-	-	62	-	60	-	-	-	55	-	53		
											-	-	-	-	48	-	46	45	44	43	-	-	40	39	-	-	-	35	-	-	
															-	-	-	-	-	-	-	25	-	-	22	21	-	-	-	-	
															-	15	14	-	-	-	-	-	8	7	6	5	4	-	-	-	
MX123 CONN ASSY 73 CKT BLK OPTO KEY A/41	345663343	C-HSG-A0	G-CAP-0-P	TPA-A0	RS	LS	MAL	CPA	MSEAL	RSEAL	-	71	70	-	68	-	-	-	64	-	62	61	-	59	58	-	-	55	54	-	
											52	51	50	-	48	-	46	45	-	-	-	41	-	39	38	-	-	-	34	-	
															32	-	-	-	-	27	-	25	-	23	22	-	-	19	18	-	
															-	-	-	-	12	-	-	9	8	7	6	-	-	-	-	-	
MX123 CONN ASSY 73 CKT GRY OPTO KEY B/23	345663353	C-HSG-B0	G-CAP-0-P	TPA-B0	RS	LS	MAL	CPA	MSEAL	RSEAL	72	71	70	69	-	-	66	65	-	63	62	61	60	-	-	57	56	55	-	53	
											52	51	50	49	48	47	-	-	44	43	42	41	40	-	-	37	36	35	34	33	
															-	31	-	-	-	-	26	25	24	-	-	21	20	19	18	-	
															16	15	14	13	-	11	-	9	-	7	6	5	4	3	2	-	

ASSEMBLY DESCRIPTION	ASSEMBLY PART NUMBER	CONNECTOR HOUSING	GROMMET CAP	TPA	RIGHT SLIDE	LEFT SLIDE	MATE ASSIST LEVER	CPA	MAT SEAL	RING SEAL	BLOCKED TERMINALS																				STATUS	COMMENTS	INTEGRAL COMPONENTS SOLD SEPARATELY		
											CAVITY WITH A NUMBER INDICATES BLOCKED TERMINAL POSITION																						DRESS COVER		
											CAVITY WITHOUT A NUMBER INDICATES OPEN TERMINAL POSITION																								
MX123 CONN ASSY 73 CKT BLK OPT0 KEY A/45	345663363	C-HSG-A0	G-CAP-0-P	TPA-A0	RS	LS	MAL	CPA	MSEAL	RSEAL	72	-	70	-	-	67	66	-	-	-	62	-	60	-	58	-	-	55	-	53	SALEABLE		345650003		
											-	51	-	-	48	-	46	45	44	43	-	-	-	-	-	-	-	-	-	35				-	-
																					-	-	-	-	-	-	25	-	-	-				21	-
MX123 CONN ASSY 73 CKT BLU OPT9 KEY C/41	345663373	C-HSG-C9	G-CAP-9-P	TPA-C9	RS	LS	MAL	CPA	MSEAL	RSEAL	-	71	-	69	-	-	-	65	64	-	-	61	60	-	58	-	-	-	54	-	SALEABLE		345650003		
											-	-	50	49	-	-	-	45	-	43	-	41	-	-	-	37	36	35	-	-					
																					-	31	-	29	28	27	-	-	24	23				-	-
MX123 CONN ASSY 73 CKT BLK OPT0 KEY A/44	345663383	C-HSG-A0	G-CAP-0-P	TPA-A0	RS	LS	MAL	CPA	MSEAL	RSEAL	72	71	-	-	-	67	66	-	-	-	62	-	60	-	-	-	55	-	53	SALEABLE		345650003			
											-	51	-	-	-	-	46	45	44	43	-	-	40	39	-	-	-	35	-				-		
																					-	-	-	-	-	-	25	-	-				22	21	-
MX123 CONN ASSY 73 CKT BLU OPT0 KEY C/35	345663393	C-HSG-C0	G-CAP-0-P	TPA-C0	RS	LS	MAL	CPA	MSEAL	RSEAL	-	71	-	69	-	-	-	65	64	-	-	61	60	-	58	-	56	55	54	-	SALEABLE		345650003		
											-	-	50	49	-	-	-	45	-	43	-	41	-	-	38	37	36	35	-	-					
																					-	31	-	29	28	27	-	-	24	23				-	-
MX123 CONN ASSY 73 CKT BLK OPT0 KEY A/6	345663403	C-HSG-A0	G-CAP-0-P	TPA-A0	RS	LS	MAL	CPA	MSEAL	RSEAL	-	-	-	-	-	-	-	65	-	-	-	61	-	-	-	-	-	-	-	SALEABLE		345650003			
											-	-	-	-	-	-	-	45	-	-	-	-	-	-	-	-	-	-	-				-	-	
																					-	-	-	-	-	-	26	-	-				-	-	-
MX123 CONN ASSY 73 CKT BLK OPT0 KEY A/45	345663413	C-HSG-A0	G-CAP-0-P	TPA-A0	RS	LS	MAL	CPA	MSEAL	RSEAL	-	71	-	69	68	-	-	-	64	63	62	-	60	59	-	-	56	-	-	53	SALEABLE		345650003		
											52	51	-	-	48	-	46	-	-	-	-	-	40	-	38	-	36	-	34	33					
																					-	31	-	29	28	-	-	-	-	23				22	-
MX123 CONN ASSY 73 CKT BLU OPT9 KEY C/31	345663423	C-HSG-C9	G-CAP-9-P	TPA-C9	RS	LS	MAL	CPA	MSEAL	RSEAL	72	71	70	-	68	67	66	65	64	-	62	61	60	59	-	57	-	-	-	-	SALEABLE		345650003		
											-	-	50	-	48	47	46	45	-	-	-	-	40	39	38	37	-	-	-	-				-	
																					-	31	30	29	-	27	-	25	24	23				22	21
MX123 CONN ASSY 73 CKT BLU OPT9 KEY C/30	345663433	C-HSG-C9	G-CAP-9-P	TPA-C9	RS	LS	MAL	CPA	MSEAL	RSEAL	-	71	-	69	68	67	-	65	64	-	-	61	60	-	58	-	-	-	54	-	SALEABLE		345650003		
											-	-	50	49	48	47	-	45	-	43	-	41	-	-	38	37	36	35	-	-					
																					32	31	-	29	28	27	-	-	24	23				-	-
MX123 CONN ASSY 73 CKT BLK OPT0 KEY A/36	345663443	C-HSG-A0	G-CAP-0-P	TPA-A0	RS	LS	MAL	CPA	MSEAL	RSEAL	72	-	70	-	68	67	66	-	-	-	62	61	-	59	58	-	-	-	-	-	SALEABLE		345650003		
											-	-	50	-	48	47	46	-	-	-	-	-	40	39	38	-	-	-	-	-					
																					-	31	-	29	-	27	-	25	24	-				22	21
MX123 CONN ASSY 73 CKT BLK OPT0 KEY A/6	345663453	C-HSG-A0	G-CAP-0-P	TPA-A0	RS	LS	MAL	CPA	MSEAL	RSEAL	72	71	70	69	68	67	66	65	64	63	62	-	60	59	58	57	56	55	54	53	SALEABLE		345650003		
											52	51	50	49	48	47	46	45	44	43	42	41	40	39	38	37	36	35	34	33					
																					32	31	30	29	28	27	26	25	24	23				22	21
MX123 CONN ASSY 73 CKT GRY OPT9 KEY B/54	345663473	C-HSG-B9	G-CAP-9-P	TPA-B9	RS	LS	MAL	CPA	MSEAL	RSEAL	-	-	-	-	-	-	-	-	-	63	-	-	-	-	-	-	-	-	53	SALEABLE		345650003			
											-	-	-	-	48	47	-	45	-	43	42	41	-	39	-	-	-	35	34				33		
																					-	-	-	-	-	-	26	-	-				23	22	-
MX123 CONN ASSY 73 CKT GRY OPT0 KEY B/51	345663483	C-HSG-B0	G-CAP-0-P	TPA-B0	RS	LS	MAL	CPA	MSEAL	RSEAL	-	-	-	-	-	-	-	-	64	63	62	-	-	59	58	-	-	-	-	53	SALEABLE		345650003		
											-	-	-	-	-	47	-	45	-	43	42	41	-	39	-	-	-	35	34	33					
																					-	-	-	-	-	-	26	25	-	23				22	-

ASSEMBLY DESCRIPTION	ASSEMBLY PART NUMBER	CONNECTOR HOUSING	GROMMET CAP	TPA	RIGHT SLIDE	LEFT SLIDE	MATE ASSIST LEVER	CPA	MAT SEAL	RING SEAL	BLOCKED TERMINALS																		STATUS	COMMENTS	INTEGRAL COMPONENTS SOLD SEPARATELY		
											CAVITY WITH A NUMBER INDICATES BLOCKED TERMINAL POSITION																				DRESS COVER		
											CAVITY WITHOUT A NUMBER INDICATES OPEN TERMINAL POSITION																						
MX123 CONN ASSY 73 CKT BLK OPT0 KEY A/44	345663493	C-HSG-A0	G-CAP-0-P	TPA-A0	RS	LS	MAL	CPA	MSEAL	RSEAL	-	71	-	69	68	-	-	-	64	63	62	-	60	59	-	-	56	-	-	53	SALEABLE		345650003
											52	51	50	-	48	-	46	-	-	-	-	40	-	38	-	36	-	34	33				
											-																						
											-																						
MX123 CONN ASSY 73 CKT BLK OPT0 KEY A/32	345663503	C-HSG-A0	G-CAP-0-P	TPA-A0	RS	LS	MAL	CPA	MSEAL	RSEAL	-	-	70	-	-	-	-	65	-	-	-	61	-	-	58	57	56	55	54	53	SALEABLE		345650003
											-	51	50	-	-	47	-	45	-	-	-	41	-	-	38	37	36	-	34	-			
											-																						
											16 15 - - - - - 10 - - - - -																						
MX123 CONN ASSY 73 CKT BLK OPT0 KEY A/37	345663513	C-HSG-A0	G-CAP-0-P	TPA-A0	RS	LS	MAL	CPA	MSEAL	RSEAL	72	71	-	-	68	67	66	65	64	-	-	-	-	59	-	-	-	-	-	SALEABLE		345650003	
											-	-	50	-	48	47	46	45	-	-	-	-	40	39	38	-	-	35	-				33
											-																						
											- - 31 30 - - - - - 25 24 23 22 21 20 - - 17																						
MX123 CONN ASSY 73 CKT BLK OPT0 KEY A/31	345663523	C-HSG-A0	G-CAP-0-P	TPA-A0	RS	LS	MAL	CPA	MSEAL	RSEAL	-	71	-	69	68	67	-	65	64	-	-	61	60	59	58	57	-	-	-	53	SALEABLE		345650003
											-	51	50	-	48	47	46	45	44	-	-	41	40	39	38	37	-	-	-	33			
											-																						
											32 - 30 29 - 27 - 25 24 23 22 - - - 17																						
MX123 CONN ASSY 73 CKT BLK OPT9 KEY A/31	345663533	C-HSG-A9	G-CAP-9-P	TPA-A9	RS	LS	MAL	CPA	MSEAL	RSEAL	72	71	70	-	68	67	66	65	64	-	62	61	60	59	-	57	-	-	-	-	SALEABLE		345650003
											-	-	50	-	48	47	46	45	-	-	-	-	40	39	38	37	-	-	-	-			
											-																						
											- 31 30 29 - 27 - 25 24 23 22 21 20 - - -																						
MX123 CONN ASSY 73 CKT BLK OPT9 KEY A/30	345663543	C-HSG-A9	G-CAP-9-P	TPA-A9	RS	LS	MAL	CPA	MSEAL	RSEAL	-	71	-	69	68	67	-	65	64	-	-	61	60	-	58	-	-	-	54	-	SALEABLE		345650003
											-	-	50	49	48	47	-	45	-	43	-	41	-	-	38	37	36	35	-	-			
											-																						
											32 31 - 29 28 27 - - 24 23 - - 20 19 18 17																						
MX123 CONN ASSY 73 CKT BLU OPT9 KEY C/60	345663553	C-HSG-C9	G-CAP-9-P	TPA-C9	RS	LS	MAL	CPA	MSEAL	RSEAL	-	-	-	-	-	-	-	-	64	-	-	-	60	-	-	-	-	-	-	SALEABLE		345650003	
											52	-	-	-	-	47	-	-	-	-	-	-	-	-	37	-	-	-	-				-
											-																						
											32 - - - 13 12 - - - 8 - - - 4 - - -																						
MX123 CONN ASSY 73 CKT BLU OPT9 KEY C/37	345663563	C-HSG-C9	G-CAP-9-P	TPA-C9	RS	LS	MAL	CPA	MSEAL	RSEAL	-	71	-	69	-	-	-	65	64	-	-	61	60	-	58	-	56	55	54	-	SALEABLE		345650003
											-	-	50	49	-	-	-	45	-	43	-	41	-	-	37	36	35	-	-	-			
											-																						
											- 31 - 29 28 - - - 24 23 - - 20 19 18 17																						
MX123 CONN ASSY 73 CKT BLU OPT9 KEY C/41	345663573	C-HSG-C9	G-CAP-9-P	TPA-C9	RS	LS	MAL	CPA	MSEAL	RSEAL	72	71	-	-	-	67	66	65	64	-	-	-	60	59	-	-	-	-	-	SALEABLE		345650003	
											-	-	-	-	-	-	46	45	-	-	-	-	40	39	38	-	-	35	-				33
											-																						
											- 31 30 - - - - - 25 24 23 22 21 20 - - 17																						
MX123 CONN ASSY 73 CKT BLK OPT9 KEY A/38	345663583	C-HSG-A9	G-CAP-9-P	TPA-A9	RS	LS	MAL	CPA	MSEAL	RSEAL	72	71	-	-	68	67	66	65	64	-	-	-	60	59	-	-	-	-	-	SALEABLE		345650003	
											-	-	-	-	48	47	46	45	-	-	-	-	40	39	38	-	-	35	-				33
											-																						
											- 31 30 - - - - - 25 24 23 22 21 20 - - 17																						
MX123 CONN ASSY 73 CKT BLK OPT0 KEY A/36	345663593	C-HSG-A0	G-CAP-0-P	TPA-A0	RS	LS	MAL	CPA	MSEAL	RSEAL	72	-	70	-	68	67	66	65	-	-	62	61	-	59	-	-	-	-	-	SALEABLE		345650003	
											-	-	50	-	48	47	46	-	-	-	-	-	40	39	38	-	-	-	-				-
											-																						
											- 31 - 29 - 27 - 25 24 23 22 21 20 - - 17																						
MX123 CONN ASSY 73 CKT GRY OPT0 KEY B/52	345663603	C-HSG-B0	G-CAP-0-P	TPA-B0	RS	LS	MAL	CPA	MSEAL	RSEAL	72	71	70	69	-	67	66	65	-	63	62	61	60	-	58	-	56	-	54	-	SALEABLE		345650003
											52	51	50	-	-	47	-	45	44	43	42	41	40	-	38	-	36	-	34	-			
											-																						
											- 31 30 - 28 27 26 25 24 - 22 - 20 19 - 17																						

ASSEMBLY DESCRIPTION	ASSEMBLY PART NUMBER	CONNECTOR HOUSING	GROMMET CAP	TPA	RIGHT SLIDE	LEFT SLIDE	MATE ASSIST LEVER	CPA	MAT SEAL	RING SEAL	BLOCKED TERMINALS																				STATUS	COMMENTS	INTEGRAL COMPONENTS SOLD SEPARATELY	
											CAVITY WITH A NUMBER INDICATES BLOCKED TERMINAL POSITION																						DRESS COVER	
											CAVITY WITHOUT A NUMBER INDICATES OPEN TERMINAL POSITION																							
MX123 CONN ASSY 73 CKT GRY OPT0 KEY B/20	345663613	C-HSG-B0	G-CAP-0-P	TPA-B0	RS	LS	MAL	CPA	MSEAL	RSEAL	72	71	70	69	-	-	66	65	-	-	62	61	60	-	58	57	56	55	54	53	SALEABLE		345650003	
											52	51	50	49	48	47	-	-	44	-	42	41	40	-	38	37	36	35	34	33				
															-	31	-	-	-	-	26	25	24	23	22	21	20	19	18	17				
															16	15	14	13	12	11	-	9	8	7	-	-	-	-	2	1				
MX123 CONN ASSY 73 CKT BLK OPT0 KEY A/40	345663623	C-HSG-A0	G-CAP-0-P	TPA-A0	RS	LS	MAL	CPA	MSEAL	RSEAL	-	71	-	-	68	67	66	65	64	-	-	-	-	-	-	-	-	-	-	SALEABLE		345650003		
											-	-	50	-	48	47	46	45	-	-	-	-	40	39	38	-	-	35	-				33	
															-	31	30	-	-	-	-	25	24	23	22	21	20	-	-				17	
															-	-	14	-	-	-	-	9	-	7	6	5	4	-	2				1	
MX123 CONN ASSY 73 CKT BLU OPT0 KEY C/42	345663633	C-HSG-C0	G-CAP-0-P	TPA-C0	RS	LS	MAL	CPA	MSEAL	RSEAL	-	71	-	69	-	-	-	65	64	-	-	61	60	-	58	-	56	55	54	-	SALEABLE		345650003	
											-	-	50	49	-	-	-	45	-	43	42	41	-	-	-	-	35	-	-					
															-	31	-	29	28	27	-	-	-	-	-	-	20	19	18	17				
															16	-	-	13	12	11	-	-	-	-	-	-	-	3	-	1				
MX123 CONN ASSY 73 CKT GRY OPT0 KEY B/38	345663643	C-HSG-B0	G-CAP-0-P	TPA-B0	RS	LS	MAL	CPA	MSEAL	RSEAL	-	-	-	69	-	-	-	65	64	-	-	62	61	60	-	58	57	56	55	54	-	SALEABLE		345650003
											-	-	-	49	-	-	-	45	44	43	42	41	40	-	38	37	36	35	-	-				
															-	-	-	-	-	-	-	-	-	23	22	21	20	19	18	-				
															-	-	-	-	12	11	-	9	-	7	6	5	4	3	-	-				
MX123 CONN ASSY 73 CKT GRY OPT0 KEY B/44	345663653	C-HSG-B0	G-CAP-0-P	TPA-B0	RS	LS	MAL	CPA	MSEAL	RSEAL	-	-	-	-	-	67	-	-	-	-	62	61	60	-	58	57	56	55	54	-	SALEABLE		345650003	
											-	-	-	-	-	-	-	-	-	-	42	41	40	-	38	37	36	35	-	-				
															-	31	-	-	-	-	-	-	-	23	22	21	20	19	18	-				
															-	15	-	-	-	-	-	9	-	7	6	5	4	-	-	-				
MX123 CONN ASSY 73 CKT BLK OPT0 KEY A/41	345663663	C-HSG-A0	G-CAP-0-P	TPA-A0	RS	LS	MAL	CPA	MSEAL	RSEAL	-	71	-	-	68	67	66	65	64	-	-	-	-	-	-	-	-	-	-	SALEABLE		345650003		
											-	-	50	-	48	47	46	45	-	-	-	-	40	39	38	-	-	35	-				33	
															-	31	30	-	-	-	-	25	24	23	22	21	20	-	-				17	
															-	-	14	-	-	-	-	9	8	-	-	5	4	-	2				1	
MX123 CONN ASSY 73 CKT BLU OPT9 KEY C/54	345663673	C-HSG-C9	G-CAP-9-P	TPA-C9	RS	LS	MAL	CPA	MSEAL	RSEAL	72	-	-	-	-	-	66	-	64	-	-	-	60	-	-	-	-	-	-	SALEABLE		345650003		
											52	-	-	-	-	47	46	-	-	-	-	-	-	-	37	-	-	-	-					
															32	-	-	-	-	-	-	25	24	23	-	21	-	-	-				-	
															-	-	-	13	12	11	10	-	8	-	-	-	4	-	-				-	
MX123 CONN ASSY 73 CKT BLU OPT0 KEY C/37	345663693	C-HSG-C0	G-CAP-0-P	TPA-C0	RS	LS	MAL	CPA	MSEAL	RSEAL	-	71	-	69	-	-	-	65	64	-	-	61	60	-	58	-	56	55	54	-	SALEABLE		345650003	
											-	-	50	49	-	-	-	45	-	43	-	41	-	-	37	36	35	-	-					
															-	31	-	29	28	-	-	-	24	23	-	-	20	19	18	17				
															16	-	-	13	12	11	-	-	8	7	-	-	-	3	2	1				
MX123 CONN ASSY 73 CKT BLK OPT0 KEY A/55	345663703	C-HSG-A0	G-CAP-0-P	TPA-A0	RS	LS	MAL	CPA	MSEAL	RSEAL	72	71	70	69	-	-	-	-	64	63	62	61	60	-	58	57	56	-	54	-	SALEABLE		345650003	
											52	51	50	-	-	-	46	45	-	43	42	41	40	-	38	37	36	-	34	-				
															32	31	30	-	-	27	26	25	24	-	22	21	20	19	18	17				
															16	15	14	13	12	11	10	9	8	-	6	5	4	3	2	1				
MX123 CONN ASSY 73 CKT BLU OPT0 KEY C/36	345663713	C-HSG-C0	G-CAP-0-P	TPA-C0	RS	LS	MAL	CPA	MSEAL	RSEAL	-	71	-	69	-	-	-	65	64	-	-	61	60	-	58	-	56	55	54	-	SALEABLE		345650003	
											-	-	50	49	-	-	-	45	-	43	-	41	-	-	38	37	36	35	-	-				
															-	31	-	29	28	-	-	-	24	23	-	-	20	19	18	17				
															16	-	-	13	12	11	-	-	8	7	-	-	-	3	2	1				
MX123 CONN ASSY 73 CKT BLK OPT0 KEY A/38	345663723	C-HSG-A0	G-CAP-0-P	TPA-A0	RS	LS	MAL	CPA	MSEAL	RSEAL	72	71	-	-	68	67	66	65	64	-	-	-	60	59	-	-	-	-	-	-	SALEABLE		345650003	
											-	-	-	-	48	47	46	45	-	-	-	-	40	39	38	-	-	35	-	33				
															-	31	30	-	-	-	-	25	24	23	22	21	20	-	-	17				
															-	-	-	-	-	-	-	9	8	7	6	5	4	-	2	1				
MX123 CONN ASSY 73 CKT GRY OPT0 KEY B/50	345663733	C-HSG-B0	G-CAP-0-P	TPA-B0	RS	LS	MAL	CPA	MSEAL	RSEAL	-	-	-	69	-	-	-	65	64	63	-	-	-	-	-	-	-	-	-	SALEABLE		345650003		
											-	-	-	49	-	-	-	45	44	43	-	-	-	-	-	-	-	-	-					
															-	-	-	-	-	-	-	-	-	22	21	20	19	18	17					
															-	-	-	-	12	11	-	-	-	7	6	5	4	3	2				1	

ASSEMBLY DESCRIPTION	ASSEMBLY PART NUMBER	CONNECTOR HOUSING	GROMMET CAP	TPA	RIGHT SLIDE	LEFT SLIDE	MATE ASSIST LEVER	CPA	MAT SEAL	RING SEAL	BLOCKED TERMINALS																		STATUS	COMMENTS	INTEGRAL COMPONENTS SOLD SEPARATELY						
											CAVITY WITH A NUMBER INDICATES BLOCKED TERMINAL POSITION																				DRESS COVER						
											CAVITY WITHOUT A NUMBER INDICATES OPEN TERMINAL POSITION																										
MX123 CONN ASSY 73 CKT BLU OPTO KEY C/36	345663743	C-HSG-C0	G-CAP-0-P	TPA-C0	RS	LS	MAL	CPA	MSEAL	RSEAL	-	71	-	69	-	67	-	65	64	-	-	61	60	-	58	-	56	55	54	-							
											-	-	50	49	-	-	-	45	-	43	-	41	-	-	-	37	36	35	-	-							
																						-	31	-	29	28	-	-	-	24	23	-	-	20	19	18	17
																						16	-	-	13	12	11	-	-	8	7	-	-	-	3	2	1
MX123 CONN ASSY 73 CKT BLU OPTO KEY C/35	345663753	C-HSG-C0	G-CAP-0-P	TPA-C0	RS	LS	MAL	CPA	MSEAL	RSEAL	-	71	-	69	-	67	-	65	64	-	-	61	60	-	58	-	56	55	54	-							
											-	-	50	49	-	-	-	45	-	43	-	41	-	-	38	37	36	35	-	-							
																						-	31	-	29	28	-	-	-	24	23	-	-	20	19	18	17
																						16	-	-	13	12	11	-	-	8	7	-	-	-	3	2	1
MX123 CONN ASSY 73 CKT BLU OPTO KEY C/37	345663763	C-HSG-C0	G-CAP-0-P	TPA-C0	RS	LS	MAL	CPA	MSEAL	RSEAL	-	71	-	69	-	67	-	65	64	-	-	61	60	-	58	-	56	55	54	-							
											-	-	50	49	-	-	-	45	-	43	-	41	-	-	38	37	36	35	-	-							
																						-	31	-	29	28	-	-	-	24	23	-	-	20	19	18	17
																						16	-	-	13	12	11	-	-	8	7	-	-	-	3	2	1
MX123 CONN ASSY 73 CKT BLK OPTO KEY A/31	345663773	C-HSG-A0	G-CAP-0-P	TPA-A0	RS	LS	MAL	CPA	MSEAL	RSEAL	72	71	-	-	68	67	66	65	64	-	62	61	60	59	-	57	-	-	-	-							
											-	-	-	-	48	47	46	45	-	-	-	-	40	-	38	37	-	35	-	33							
																						-	31	30	29	-	27	-	25	24	23	22	21	20	-	-	17
																						-	-	-	13	-	11	-	9	8	7	6	5	4	-	2	1
MX123 CONN ASSY 73 CKT BLK OPTO KEY A/34	345663783	C-HSG-A0	G-CAP-0-P	TPA-A0	RS	LS	MAL	CPA	MSEAL	RSEAL	72	71	-	-	68	67	66	65	64	-	62	61	60	59	-	57	-	-	-	-							
											-	-	-	-	48	47	46	45	-	-	-	-	40	-	38	37	-	35	-	33							
																						-	31	30	29	-	27	-	25	24	23	22	21	20	-	-	-
																						-	-	-	13	-	11	-	9	8	7	6	5	4	-	-	-
MX123 CONN ASSY 73 CKT BLK OPTO KEY A/38	345663793	C-HSG-A0	G-CAP-0-P	TPA-A0	RS	LS	MAL	CPA	MSEAL	RSEAL	72	-	-	69	68	67	66	65	-	-	62	61	-	59	-	-	-	-	-								
											-	-	50	49	48	47	46	-	-	-	-	40	39	38	-	-	35	-	33								
																						-	31	-	29	-	27	-	25	24	-	22	-	20	-	-	17
																						-	-	14	13	-	11	-	9	-	7	6	-	4	-	2	1
MX123 CONN ASSY 73 CKT BLK OPTO KEY A/32	345663803	C-HSG-A0	G-CAP-0-P	TPA-A0	RS	LS	MAL	CPA	MSEAL	RSEAL	-	-	70	-	-	-	-	65	-	-	-	61	60	-	58	57	-	55	54	-							
											52	51	-	49	-	47	-	45	-	-	-	41	40	-	38	37	-	-	34	-							
																						-	31	-	-	28	-	26	25	24	-	22	21	-	19	18	-
																						16	15	-	-	-	-	-	-	-	7	6	-	-	-	-	-
MX123 CONN ASSY 73 CKT BLU OPTO KEY C/42	345663813	C-HSG-C0	G-CAP-0-P	TPA-C0	RS	LS	MAL	CPA	MSEAL	RSEAL	-	71	-	69	-	67	-	65	64	-	-	61	60	-	58	-	56	55	54	-							
											-	-	50	49	-	-	-	45	-	43	-	41	-	-	-	-	35	-	-								
																						-	31	-	29	28	27	-	-	-	23	-	-	-	19	18	17
																						16	-	-	-	12	11	-	-	-	7	-	-	-	3	-	1
MX123 CONN ASSY 73 CKT BLK OPTO KEY A/30	345663823	C-HSG-A0	G-CAP-0-P	TPA-A0	RS	LS	MAL	CPA	MSEAL	RSEAL	72	71	-	-	68	67	66	65	64	-	62	-	60	59	-	-	-	-	-								
											-	-	50	-	48	47	46	45	-	-	42	-	40	39	38	-	-	35	-	33							
																						-	31	30	29	28	-	-	25	24	23	22	21	20	-	-	17
																						-	-	14	13	12	-	-	9	8	7	6	5	4	-	2	1
MX123 CONN ASSY 73 CKT BLK OPTO KEY A/37	345663833	C-HSG-A0	G-CAP-0-P	TPA-A0	RS	LS	MAL	CPA	MSEAL	RSEAL	72	71	-	-	68	67	66	65	64	-	-	-	60	59	58	-	-	-	-								
											-	-	50	-	48	47	46	45	-	-	-	-	40	39	38	-	-	35	-	33							
																						-	31	30	-	-	-	25	24	-	22	21	20	-	-	17	
																						-	-	14	-	-	-	9	-	7	6	5	4	-	2	1	
MX123 CONN ASSY 73 CKT BLK OPTO KEY A/51	345663843	C-HSG-A0	G-CAP-0-P	TPA-A0	RS	LS	MAL	CPA	MSEAL	RSEAL	-	-	-	-	-	-	-	65	-	-	-	61	-	-	58	57	56	-	-	-							
											-	51	50	-	-	47	46	45	-	-	-	-	-	-	38	37	36	-	-	-							
																						-	31	30	-	-	-	26	-	-	-	22	21	20	-	-	-
																						-	15	14	-	-	-	10	-	-	-	-	-	-	-	-	-
MX123 CONN ASSY 73 CKT BLK OPTO KEY A/53	345663853	C-HSG-A0	G-CAP-0-P	TPA-A0	RS	LS	MAL	CPA	MSEAL	RSEAL	-	-	-	-	-	-	-	-	-	-	-	61	-	-	58	57	56	-	-	-							
											-	51	50	-	-	47	46	-	-	-	-	-	-	-	38	37	36	-	-	-							
																						-	31	30	-	-	-	26	-	-	-	22	21	20	-	-	-
																						-	15	14	-	-	-	10	-	-	-	-	-	-	-	-	-

ASSEMBLY DESCRIPTION	ASSEMBLY PART NUMBER	CONNECTOR HOUSING	GROMMET CAP	TPA	RIGHT SLIDE	LEFT SLIDE	MATE ASSIST LEVER	CPA	MAT SEAL	RING SEAL	BLOCKED TERMINALS																				STATUS	COMMENTS	INTEGRAL COMPONENTS SOLD SEPARATELY
											CAVITY WITH A NUMBER INDICATES BLOCKED TERMINAL POSITION										CAVITY WITHOUT A NUMBER INDICATES OPEN TERMINAL POSITION												DRESS COVER
MX123 CONN ASSY 73 CKT BLK OPT0 KEY A/29	345664103	C-HSG-A0	G-CAP-0-P	TPA-A0	RS	LS	MAL	CPA	MSEAL	RSEAL	-	-	70	-	-	-	-	65	-	-	-	61	-	-	58	57	56	55	54	53	SALEABLE		345650003
											-	51	50	-	-	47	-	-	-	-	41	-	-	38	37	36	-	34	-				
																					-	31	30	-	28	-	-	25	-	-			
										16	15	-	-	-	-	-	-	-	-	-	-	-	-	-	-	-	-	-					
MX123 CONN ASSY 73 CKT GRY OPT0 KEY B/19	345664113	C-HSG-B0	G-CAP-0-P	TPA-B0	RS	LS	MAL	CPA	MSEAL	RSEAL	72	71	70	69	-	-	66	65	-	63	62	61	60	59	-	57	56	55	54	53	SALEABLE		345650003
											52	51	50	49	48	47	-	-	44	43	42	41	40	39	-	37	36	35	34	33			
																					-	31	-	-	-	-	26	25	24	23			
										16	-	14	-	12	11	-	9	8	7	6	5	4	3	2	-	-	-						
MX123 CONN ASSY 73 CKT BLK OPT9 KEY A/42	345664123	C-HSG-A9	G-CAP-9-P	TPA-A9	RS	LS	MAL	CPA	MSEAL	RSEAL	-	71	70	-	68	-	-	-	64	-	62	61	-	59	58	-	-	55	54	-	SALEABLE		345650003
											52	51	50	-	48	-	-	45	-	-	-	41	-	39	38	-	-	-	34	-			
																					-	32	-	-	-	-	27	-	25	-			
										-	-	-	-	12	-	-	9	8	7	6	-	-	-	-	-	-	-						
MX123 CONN ASSY 73 CKT GRY OPT9 KEY B/25	345664133	C-HSG-B9	G-CAP-9-P	TPA-B9	RS	LS	MAL	CPA	MSEAL	RSEAL	72	71	70	69	-	-	66	65	-	63	62	61	60	-	-	57	56	55	-	53	SALEABLE		345650003
											52	51	50	49	48	47	-	-	44	43	42	41	40	-	-	37	36	35	34	33			
																					-	31	-	-	-	-	26	25	24	-			
										16	-	14	-	12	11	-	-	-	7	6	5	4	3	2	-	-	-						
MX123 CONN ASSY 73 CKT GRY OPT0 KEY B/22	345664143	C-HSG-B0	G-CAP-0-P	TPA-B0	RS	LS	MAL	CPA	MSEAL	RSEAL	72	71	70	69	-	-	66	65	-	63	62	61	60	-	-	57	56	55	-	53	SALEABLE		345650003
											52	51	50	49	48	47	-	-	44	43	42	41	40	-	-	37	36	35	34	33			
																					-	31	-	-	-	-	26	25	24	-			
										16	15	14	13	12	11	-	-	8	7	6	5	4	3	2	-	-	-						
MX123 CONN ASSY 73 CKT GRY OPT0 KEY B/37	345664153	C-HSG-B0	G-CAP-0-P	TPA-B0	RS	LS	MAL	CPA	MSEAL	RSEAL	-	71	-	69	-	67	-	65	64	63	62	61	-	-	58	57	56	-	-	-	SALEABLE		345650003
											-	51	-	49	-	47	-	45	-	43	42	41	-	-	38	37	36	-	-	-			
																					-	-	-	-	-	-	-	-	-	22			
										-	15	14	13	12	11	-	-	-	-	6	5	4	3	2	1	-	-						
MX123 CONN ASSY 73 CKT GRY OPT0 KEY B/35	345664163	C-HSG-B0	G-CAP-0-P	TPA-B0	RS	LS	MAL	CPA	MSEAL	RSEAL	-	71	-	69	-	67	-	65	64	63	62	61	-	-	58	57	56	-	-	-	SALEABLE		345650003
											-	51	-	49	-	47	-	45	44	43	42	41	-	-	38	37	36	-	-	-			
																					-	-	-	-	-	-	-	-	23	22			
										-	15	14	13	12	11	-	9	-	-	6	5	4	3	-	-	-							
MX123 CONN ASSY 73 CKT BLK OPT0 KEY A/42	345664173	C-HSG-A0	G-CAP-0-P	TPA-A0	RS	LS	MAL	CPA	MSEAL	RSEAL	-	-	-	-	68	67	66	65	-	-	62	61	-	-	-	57	-	-	-	-	SALEABLE		345650003
											-	-	50	-	48	-	46	-	-	-	-	-	40	39	-	37	-	35	-	33			
																					-	31	-	29	-	27	-	-	24	23			
										-	-	14	13	-	11	-	-	-	7	6	-	4	-	2	1	-	-						
MX123 CONN ASSY 73 CKT BLU OPT0 KEY C/41	345664183	C-HSG-C0	G-CAP-0-P	TPA-C0	RS	LS	MAL	CPA	MSEAL	RSEAL	-	71	-	69	-	67	-	65	64	-	-	61	60	-	-	-	56	55	54	-	SALEABLE		345650003
											-	-	50	49	-	-	-	45	-	43	-	41	-	-	38	37	36	35	-	-			
																					-	31	-	29	28	27	-	-	24	-			
										16	-	-	-	12	11	-	-	8	-	-	-	-	3	2	-	-							
MX123 CONN ASSY 73 CKT BLU OPT0 KEY C/38	345664193	C-HSG-C0	G-CAP-0-P	TPA-C0	RS	LS	MAL	CPA	MSEAL	RSEAL	72	-	70	-	68	67	66	-	-	63	62	-	-	59	-	57	-	-	-	53	SALEABLE		345650003
											52	51	-	-	48	47	46	-	44	-	42	-	40	39	-	-	-	-	34	33			
																					32	-	30	-	-	27	26	25	-	-			
										-	15	14	-	-	-	10	9	-	-	6	5	4	-	-	-	-	-						
MX123 CONN ASSY 73 CKT GRY OPT0 KEY B/48	345664203	C-HSG-B0	G-CAP-0-P	TPA-B0	RS	LS	MAL	CPA	MSEAL	RSEAL	72	71	70	69	68	67	66	65	-	63	62	61	60	-	58	-	56	-	54	-	SALEABLE		345650003
											52	51	-	-	-	47	-	45	44	43	42	41	40	-	38	-	36	-	34	-			
																					-	31	30	-	28	27	26	25	-	-			
										16	-	14	13	12	11	10	9	8	-	-	-	-	-	2	1	-	-						
MX123 CONN ASSY 73 CKT BLK OPT0 KEY A/36	345664213	C-HSG-A0	G-CAP-0-P	TPA-A0	RS	LS	MAL	CPA	MSEAL	RSEAL	-	-	70	69	-	-	-	-	-	63	62	61	-	-	-	57	56	55	54	53	SALEABLE		345650003
											52	51	-	49	-	-	-	-	44	43	42	41	-	-	-	37	36	-	34	33			
																					32	-	-	29	28	27	26	-	-	23			
										16	15	-	13	12	11	10	-	8	-	-	-	-	3	-	-	-	-						

ASSEMBLY DESCRIPTION	ASSEMBLY PART NUMBER	CONNECTOR HOUSING	GROMMET CAP	TPA	RIGHT SLIDE	LEFT SLIDE	MATE ASSIST LEVER	CPA	MAT SEAL	RING SEAL	BLOCKED TERMINALS																				STATUS	COMMENTS	INTEGRAL COMPONENTS SOLD SEPARATELY
											CAVITY WITH A NUMBER INDICATES BLOCKED TERMINAL POSITION																						DRESS COVER
											CAVITY WITHOUT A NUMBER INDICATES OPEN TERMINAL POSITION																						
MX123 CONN ASSY 73 CKT BLK OPTO KEY A/38	345664223	C-HSG-A0	G-CAP-0-P	TPA-A0	RS	LS	MAL	CPA	MSEAL	RSEAL	-	-	70	69	-	-	-	-	-	63	62	61	-	-	58	57	56	55	54	53	SALEABLE		345650003
											52	51	-	49	-	-	-	-	44	43	42	41	-	-	-	37	36	-	34	-			
															32	-	-	29	28	27	26	-	-	-	-	-	-	19	18	-			
															16	15	-	13	12	11	10	-	-	-	-	-	-	3	-	-			
MX123 CONN ASSY 73 CKT GRY OPTO KEY B/23	345664233	C-HSG-B0	G-CAP-0-P	TPA-B0	RS	LS	MAL	CPA	MSEAL	RSEAL	72	71	70	-	68	67	66	-	-	-	62	61	60	59	58	57	56	55	54	53	SALEABLE		345650003
											52	51	50	-	48	47	46	-	-	-	42	41	40	39	38	37	36	35	34	33			
															32	31	30	29	28	27	26	25	24	-	-	-	-	-	-	17			
															16	15	14	13	-	-	10	-	8	-	-	-	-	-	-	2			
MX123 CONN ASSY 73 CKT BLK OPTO KEY A/21	345664243	C-HSG-A0	G-CAP-0-P	TPA-A0	RS	LS	MAL	CPA	MSEAL	RSEAL	72	71	70	69	68	67	66	65	64	63	62	-	60	59	-	-	-	55	54	53	SALEABLE		345650003
											52	-	-	49	48	-	-	45	44	43	42	41	40	39	-	-	-	35	34	33			
															32	-	-	29	28	27	-	25	24	23	-	-	-	19	18	17			
															16	-	-	13	12	11	-	9	8	7	6	5	4	3	2	1			
MX123 CONN ASSY 73 CKT BLK OPTO KEY A/23	345664253	C-HSG-A0	G-CAP-0-P	TPA-A0	RS	LS	MAL	CPA	MSEAL	RSEAL	72	71	70	69	68	67	66	-	64	63	62	-	60	59	-	-	-	55	54	53	SALEABLE		345650003
											52	-	-	49	48	-	-	-	44	43	42	41	40	39	-	-	-	35	34	33			
															32	-	-	29	28	27	-	25	24	23	-	-	-	19	18	17			
															16	-	-	13	12	11	-	9	8	7	6	5	4	3	2	1			
MX123 CONN ASSY 73 CKT GRY OPTO KEY B/36	345664263	C-HSG-B0	G-CAP-0-P	TPA-B0	RS	LS	MAL	CPA	MSEAL	RSEAL	-	-	-	-	-	67	66	-	-	63	-	-	-	59	58	57	56	55	-	53	SALEABLE		345650003
											-	-	50	49	48	-	-	45	-	43	-	-	-	39	38	37	36	35	34	33			
															-	-	-	29	-	27	-	-	-	23	22	21	-	-	18	-			
															16	15	14	13	-	-	-	-	8	7	6	5	4	3	-	-			
MX123 CONN ASSY 73 CKT GRY OPTO KEY B/40	345664273	C-HSG-B0	G-CAP-0-P	TPA-B0	RS	LS	MAL	CPA	MSEAL	RSEAL	-	-	-	-	-	-	-	-	-	63	-	-	-	59	58	57	56	55	-	53	SALEABLE		345650003
											-	-	50	49	48	-	46	-	-	43	-	-	-	39	38	37	36	35	34	33			
															-	-	-	29	-	27	-	-	-	23	22	21	-	-	18	-			
															16	15	14	-	-	-	-	-	7	6	5	4	3	-	-				
MX123 CONN ASSY 73 CKT BLK OPTO KEY A/38	345664283	C-HSG-A0	G-CAP-0-P	TPA-A0	RS	LS	MAL	CPA	MSEAL	RSEAL	72	71	-	-	68	67	66	65	64	-	-	-	-	59	58	-	-	-	-	-	SALEABLE		345650003
											-	-	50	-	48	47	46	45	-	-	-	-	40	39	38	-	-	35	-	33			
															-	31	30	-	-	-	-	25	24	-	22	21	20	-	-	17			
															-	-	14	-	-	-	-	9	-	7	6	5	4	-	2	1			
MX123 CONN ASSY 73 CKT GRY OPTO KEY B/38	345664293	C-HSG-B0	G-CAP-0-P	TPA-B0	RS	LS	MAL	CPA	MSEAL	RSEAL	72	71	70	69	68	-	-	65	64	-	62	61	60	-	-	-	-	-	54	-	SALEABLE		345650003
											52	51	-	-	-	47	46	-	44	-	42	41	40	-	-	-	-	-	-	-			
															32	31	30	-	28	-	26	25	24	-	-	-	20	19	-	17			
															-	-	-	-	12	11	10	9	-	-	-	-	-	-	2	1			
MX123 CONN ASSY 73 CKT BLK OPTO KEY A/33	345664303	C-HSG-A0	G-CAP-0-P	TPA-A0	RS	LS	MAL	CPA	MSEAL	RSEAL	72	71	-	-	-	-	66	-	-	-	62	-	60	-	-	-	-	55	54	53	SALEABLE		345650003
											52	51	-	-	-	-	46	45	44	43	42	-	40	39	-	-	-	35	-	-			
															-	-	-	-	-	-	26	25	-	-	22	21	-	-	17				
															-	15	14	-	-	-	-	-	8	7	6	5	4	3	2	-			
MX123 CONN ASSY 73 CKT GRY OPTO KEY B/35	345664313	C-HSG-B0	G-CAP-0-P	TPA-B0	RS	LS	MAL	CPA	MSEAL	RSEAL	72	71	70	69	68	67	66	65	64	-	62	61	60	-	-	-	-	-	54	-	SALEABLE		345650003
											52	51	-	-	-	47	-	45	44	-	42	41	40	-	-	-	-	-	-	-			
															32	31	30	-	28	-	26	25	24	-	-	-	20	19	-	17			
															-	-	-	-	12	11	10	9	8	-	-	-	-	-	2	1			
MX123 CONN ASSY 73 CKT GRY OPTO KEY B/37	345664323	C-HSG-B0	G-CAP-0-P	TPA-B0	RS	LS	MAL	CPA	MSEAL	RSEAL	-	71	-	69	-	67	-	65	64	63	62	61	-	-	58	57	56	-	-	-	SALEABLE		345650003
											-	51	-	49	-	47	-	45	44	43	42	41	-	-	38	37	36	-	-	-			
															-	-	-	-	-	-	-	-	-	23	22	21	20	-	-	-			
															-	15	14	13	12	11	-	9	-	-	6	5	4	3	-	-			
MX123 CONN ASSY 73 CKT BLK OPTO KEY A/40	345664333	C-HSG-A0	G-CAP-0-P	TPA-A0	RS	LS	MAL	CPA	MSEAL	RSEAL	-	-	-	-	68	-	66	65	-	-	62	61	-	-	58	57	-	-	-	-	SALEABLE		345650003
											-	-	50	-	48	-	46	-	-	-	-	-	40	39	-	37	-	35	-	33			
															-	31	-	29	-	27	-	-	24	-	22	21	20	-	-	17			
															-	-	14	13	-	11	-	-	8	7	6	5	4	-	2	1			

ASSEMBLY DESCRIPTION	ASSEMBLY PART NUMBER	CONNECTOR HOUSING	GROMMET CAP	TPA	RIGHT SLIDE	LEFT SLIDE	MATE ASSIST LEVER	CPA	MAT SEAL	RING SEAL	BLOCKED TERMINALS																		STATUS	COMMENTS	INTEGRAL COMPONENTS SOLD SEPARATELY
											CAVITY WITH A NUMBER INDICATES BLOCKED TERMINAL POSITION																				DRESS COVER
											CAVITY WITHOUT A NUMBER INDICATES OPEN TERMINAL POSITION																				
MX123 CONN ASSY 73 CKT BLK OPT0 KEY A/39	345664343	C-HSG-A0	G-CAP-0-P	TPA-A0	RS	LS	MAL	CPA	MSEAL	RSEAL	-	-	-	-	68	67	66	65	-	-	62	61	-	-	-	57	-	-	-	-	
											-	-	50	-	48	-	46	-	-	-	-	40	39	-	37	-	35	-	33		
											-																				
											-	-	-	-	31	-	29	-	27	-	-	24	23	22	21	20	-	-	17		
MX123 CONN ASSY 73 CKT BLU OPT0 KEY C/37	345664353	C-HSG-C0	G-CAP-0-P	TPA-C0	RS	LS	MAL	CPA	MSEAL	RSEAL	-	71	-	69	-	67	66	65	64	-	-	61	60	-	-	-	56	55	54	-	
											-	-	50	49	-	-	46	45	-	43	-	41	-	-	38	37	36	35	-	-	
											-																				
											-	-	-	-	31	-	29	28	27	-	-	24	-	-	-	-	19	18	-		
MX123 CONN ASSY 73 CKT BLK OPT0 KEY A/39	345664363	C-HSG-A0	G-CAP-0-P	TPA-A0	RS	LS	MAL	CPA	MSEAL	RSEAL	72	71	-	-	68	67	66	65	64	-	-	-	59	-	-	-	-	-			
											-	-	50	-	48	47	46	45	-	-	-	40	39	38	-	-	35	-	33		
											-																				
											-	-	-	-	31	30	-	-	-	-	25	24	-	22	21	20	-	-	17		
MX123 CONN ASSY 73 CKT BLK OPT0 KEY A/30	345664373	C-HSG-A0	G-CAP-0-P	TPA-A0	RS	LS	MAL	CPA	MSEAL	RSEAL	72	71	-	-	68	67	66	65	64	-	62	61	60	59	-	57	-	55	-	53	
											-	-	50	-	48	-	46	45	-	-	-	-	39	38	37	-	35	-	33		
											-																				
											-	-	-	-	31	30	29	-	27	-	25	24	23	22	21	20	-	-	-		
MX123 CONN ASSY 73 CKT BLK OPT0 KEY A/29	345664403	C-HSG-A0	G-CAP-0-P	TPA-A0	RS	LS	MAL	CPA	MSEAL	RSEAL	-	-	-	-	-	-	-	-	-	-	62	-	60	-	-	-	-	55	54	53	
											52	51	-	-	-	-	46	45	44	43	42	-	40	39	-	-	-	35	-	-	
											-																				
											-	-	-	-	15	14	-	-	-	-	-	8	7	-	5	-	3	2	1		
MX123 CONN ASSY 73 CKT GRY OPT0 KEY B/34	345664413	C-HSG-B0	G-CAP-0-P	TPA-B0	RS	LS	MAL	CPA	MSEAL	RSEAL	72	71	70	69	68	67	66	65	64	-	62	61	60	-	-	-	-	54	-		
											52	51	-	-	-	47	-	45	44	-	42	41	40	-	-	-	-	-	-		
											-																				
											-	-	-	-	32	31	30	-	28	-	26	25	24	-	-	-	20	19	-	17	
MX123 CONN ASSY 73 CKT BLU OPT9 KEY C/42	345664423	C-HSG-C9	G-CAP-9-P	TPA-C9	RS	LS	MAL	CPA	MSEAL	RSEAL	-	71	-	69	-	-	-	65	64	-	-	61	60	-	58	-	56	55	54	-	
											-	-	50	49	-	-	45	-	43	-	41	-	-	-	-	35	-	-			
											-																				
											-	-	-	-	31	-	29	28	-	-	-	-	23	-	-	20	19	18	17		
MX123 CONN ASSY 73 CKT BLK OPT9 KEY A/40	345664433	C-HSG-A9	G-CAP-9-P	TPA-A9	RS	LS	MAL	CPA	MSEAL	RSEAL	72	71	-	-	68	67	66	65	64	-	-	-	59	-	-	-	-	-			
											-	-	-	-	48	47	46	45	-	-	-	-	39	38	-	-	35	-	33		
											-																				
											-	-	-	-	31	30	-	-	-	-	25	24	23	22	21	20	-	-	17		
MX123 CONN ASSY 73 CKT BLK OPT9 KEY A/32	345664443	C-HSG-A9	G-CAP-9-P	TPA-A9	RS	LS	MAL	CPA	MSEAL	RSEAL	72	71	70	69	68	-	-	65	64	63	62	61	60	59	58	57	56	55	54	53	
											52	51	50	49	-	-	46	45	44	43	42	-	40	39	38	37	36	35	34	33	
											-																				
											-	-	-	-	32	31	30	-	28	-	-	-	24	23	-	-	20	-	-		
MX123 CONN ASSY 73 CKT BLK OPT0 KEY A/45	345664453	C-HSG-A0	G-CAP-0-P	TPA-A0	RS	LS	MAL	CPA	MSEAL	RSEAL	-	-	-	-	-	67	66	-	-	-	-	-	-	-	-	-	-	-			
											-	-	-	-	-	47	-	-	-	-	41	-	-	-	-	-	-	-			
											-																				
											-	-	-	-	32	31	30	29	-	27	26	25	-	-	22	21	-	19	18	17	
MX123 CONN ASSY 73 CKT GRY OPT9 KEY B/18	345664463	C-HSG-B9	G-CAP-9-P	TPA-B9	RS	LS	MAL	CPA	MSEAL	RSEAL	72	71	70	69	68	67	66	65	64	-	62	61	60	59	58	57	56	55	54	-	
											52	51	50	49	-	-	46	-	44	-	41	40	-	38	37	36	-	-	-		
											-																				
											-	-	-	-	32	31	30	29	28	27	-	25	24	-	-	21	20	-	18	17	
MX123 CONN ASSY 73 CKT GRY OPT0 KEY B/21	345664473	C-HSG-B0	G-CAP-0-P	TPA-B0	RS	LS	MAL	CPA	MSEAL	RSEAL	72	71	70	69	68	67	66	65	-	-	-	61	60	-	-	57	56	55	54	-	
											52	51	50	49	48	-	46	-	44	-	41	40	-	38	37	36	-	-	-		
											-																				
											-	-	-	-	32	31	30	29	28	27	-	24	-	-	21	20	19	18	17		

ASSEMBLY DESCRIPTION	ASSEMBLY PART NUMBER	CONNECTOR HOUSING	GROMMET CAP	TPA	RIGHT SLIDE	LEFT SLIDE	MATE ASSIST LEVER	CPA	MAT SEAL	RING SEAL	BLOCKED TERMINALS																		STATUS	COMMENTS	INTEGRAL COMPONENTS SOLD SEPARATELY
											CAVITY WITH A NUMBER INDICATES BLOCKED TERMINAL POSITION																				DRESS COVER
											CAVITY WITHOUT A NUMBER INDICATES OPEN TERMINAL POSITION																				
MX123 CONN ASSY 73 CKT BLU OPT9 KEY C/54	345664483	C-HSG-C9	G-CAP-9-P	TPA-C9	RS	LS	MAL	CPA	MSEAL	RSEAL	-	71	-	69	-	-	-	65	64	-	-	61	60	-	-	-	-	-	54	-	
											-	-	50	-	-	-	-	45	-	43	42	41	-	-	-	-	-	-	35	-	-
											-																				
MX123 CONN ASSY 73 CKT BLK OPT9 KEY A/58	345664493	C-HSG-A9	G-CAP-9-P	TPA-A9	RS	LS	MAL	CPA	MSEAL	RSEAL	-	-	-	-	68	-	66	65	-	-	-	-	-	-	-	-	-	-	-		
											-	-	-	-	-	-	46	-	-	-	-	-	-	38	-	-	35	-	33		
											-																				
MX123 CONN ASSY 73 CKT GRY OPT9 KEY B/56	345664513	C-HSG-B9	G-CAP-9-P	TPA-B9	RS	LS	MAL	CPA	MSEAL	RSEAL	-	-	-	69	-	-	-	65	64	63	-	-	-	-	-	-	-	-	-		
											-	-	-	49	-	-	-	45	44	43	-	-	-	-	-	-	-	-	-		
											-																				
MX123 CONN ASSY 73 CKT BLK OPT0 KEY A/38	345664533	C-HSG-A0	G-CAP-0-P	TPA-A0	RS	LS	MAL	CPA	MSEAL	RSEAL	-	71	70	-	68	-	66	-	64	-	62	61	-	59	58	-	-	55	54	-	
											52	51	50	-	48	-	46	45	-	-	42	41	-	39	38	-	-	-	34	-	
											-																				
MX123 CONN ASSY 73 CKT GRY OPT0 KEY B/27	345664543	C-HSG-B0	G-CAP-0-P	TPA-B0	RS	LS	MAL	CPA	MSEAL	RSEAL	72	71	70	69	-	-	66	65	-	-	62	61	60	59	-	-	56	-	54	-	
											52	51	50	49	48	47	-	-	44	-	42	41	40	39	-	-	36	-	34	33	
											-																				
MX123 CONN ASSY 73 CKT GRY OPT0 KEY B/23	345664553	C-HSG-B0	G-CAP-0-P	TPA-B0	RS	LS	MAL	CPA	MSEAL	RSEAL	72	71	70	69	-	-	66	65	-	-	62	61	60	59	-	-	56	55	54	-	
											52	51	50	49	48	47	-	-	44	-	42	41	40	39	-	-	36	35	34	33	
											-																				
MX123 CONN ASSY 73 CKT GRY OPT0 KEY B/24	345664563	C-HSG-B0	G-CAP-0-P	TPA-B0	RS	LS	MAL	CPA	MSEAL	RSEAL	72	71	70	69	-	-	66	65	-	-	62	61	60	59	-	57	56	-	54	-	
											52	51	50	49	48	47	-	-	44	-	42	41	40	39	-	37	36	-	34	33	
											-																				
MX123 CONN ASSY 73 CKT GRY OPT0 KEY B/20	345664573	C-HSG-B0	G-CAP-0-P	TPA-B0	RS	LS	MAL	CPA	MSEAL	RSEAL	72	71	70	69	-	-	66	65	-	-	62	61	60	59	-	57	56	55	54	-	
											52	51	50	49	48	47	-	-	44	-	42	41	40	39	-	37	36	35	34	33	
											-																				
MX123 CONN ASSY 73 CKT GRY OPT0 KEY B/19	345664583	C-HSG-B0	G-CAP-0-P	TPA-B0	RS	LS	MAL	CPA	MSEAL	RSEAL	72	71	70	69	-	-	66	65	-	63	62	61	60	59	-	57	56	55	54	-	
											52	51	50	49	48	47	-	-	44	43	42	41	40	39	-	37	36	35	34	33	
											-																				
MX123 CONN ASSY 73 CKT GRY OPT0 KEY B/18	345664593	C-HSG-B0	G-CAP-0-P	TPA-B0	RS	LS	MAL	CPA	MSEAL	RSEAL	72	71	70	69	-	-	66	65	-	63	62	61	60	59	-	57	56	55	54	-	
											52	51	50	49	48	47	-	-	44	43	42	41	40	39	-	37	36	35	34	33	
											-																				
MX123 CONN ASSY 73 CKT BLK OPT0 KEY A/42	345664613	C-HSG-A0	G-CAP-0-P	TPA-A0	RS	LS	MAL	CPA	MSEAL	RSEAL	-	71	70	-	68	-	-	-	64	-	62	61	-	59	58	-	-	55	54	-	
											52	51	50	-	48	-	46	45	-	-	-	41	-	39	38	-	-	-	34	-	
											-																				
MX123 CONN ASSY 73 CKT GRY OPT0 KEY B/36	345664623	C-HSG-B0	G-CAP-0-P	TPA-B0	RS	LS	MAL	CPA	MSEAL	RSEAL	-	71	-	69	-	67	-	65	64	63	62	61	-	-	58	57	56	-	-	-	
											-	51	-	49	-	47	-	45	44	43	42	41	-	-	38	37	36	-	-	-	
											-																				

ASSEMBLY DESCRIPTION	ASSEMBLY PART NUMBER	CONNECTOR HOUSING	GROMMET CAP	TPA	RIGHT SLIDE	LEFT SLIDE	MATE ASSIST LEVER	CPA	MAT SEAL	RING SEAL	BLOCKED TERMINALS																STATUS	COMMENTS	INTEGRAL COMPONENTS SOLD SEPARATELY	
											CAVITY WITH A NUMBER INDICATES BLOCKED TERMINAL POSITION																		DRESS COVER	
											CAVITY WITHOUT A NUMBER INDICATES OPEN TERMINAL POSITION																			
MX123 CONN ASSY 73 CKT BLK OPT0 KEY A/39	345664633	C-HSG-A0	G-CAP-0-P	TPA-A0	RS	LS	MAL	CPA	MSEAL	RSEAL	72	-	-	-	68	67	66	65	-	-	62	61	-	-	57	-	-	-	-	
											-	-	50	-	48	-	46	-	-	-	-	40	39	-	37	-	35	-	33	
															-	31	-	29	-	27	-	25	24	23	22	-	20	-	-	17
															-	-	14	13	-	11	-	9	-	7	6	-	4	-	2	1
MX123 CONN ASSY 73 CKT GRY OPT0 KEY B/38	345664643	C-HSG-B0	G-CAP-0-P	TPA-B0	RS	LS	MAL	CPA	MSEAL	RSEAL	-	71	-	69	-	67	-	65	64	63	62	61	-	-	58	57	56	-	-	-
											-	51	-	49	-	47	-	45	44	43	42	41	-	-	38	37	36	-	-	-
															-	-	-	-	-	-	-	-	-	22	21	20	-	-	-	
															-	15	14	13	12	11	-	9	-	-	6	5	4	3	-	-
MX123 CONN ASSY 73 CKT BLK OPT0 KEY A/37	345664653	C-HSG-A0	G-CAP-0-P	TPA-A0	RS	LS	MAL	CPA	MSEAL	RSEAL	72	-	-	-	68	-	66	65	-	-	62	61	-	-	58	57	-	-	-	-
											-	-	50	-	48	-	46	-	-	-	-	40	39	-	37	-	35	-	33	
															-	31	-	29	-	27	-	25	24	-	22	21	20	-	-	17
															-	-	14	13	-	11	-	9	8	7	6	5	4	-	2	1
MX123 CONN ASSY 73 CKT BLK OPT0 KEY A/36	345664663	C-HSG-A0	G-CAP-0-P	TPA-A0	RS	LS	MAL	CPA	MSEAL	RSEAL	72	-	-	-	68	67	66	65	-	-	62	61	-	-	57	-	-	-	-	
											-	-	50	-	48	-	46	-	-	-	-	40	39	-	37	-	35	-	33	
															-	31	-	29	-	27	-	25	24	23	22	21	20	-	-	17
															-	-	14	13	-	11	-	9	8	7	6	5	4	-	2	1
MX123 CONN ASSY 73 CKT BLK OPT0 KEY A/29	345664673	C-HSG-A0	G-CAP-0-P	TPA-A0	RS	LS	MAL	CPA	MSEAL	RSEAL	72	71	70	69	68	-	-	65	64	63	62	61	60	59	58	57	56	55	54	53
											52	51	50	49	48	-	46	45	44	43	42	-	40	39	38	37	36	35	34	33
															-	-	-	-	28	-	-	-	24	23	-	-	20	-	-	-
															-	-	-	-	12	11	-	-	-	-	-	-	-	-	2	1
MX123 CONN ASSY 73 CKT GRY OPT9 KEY B/56	345664683	C-HSG-B9	G-CAP-9-P	TPA-B9	RS	LS	MAL	CPA	MSEAL	RSEAL	-	-	-	-	-	-	-	-	-	63	-	-	-	-	-	-	-	-	53	
											-	-	-	-	48	47	-	45	-	43	42	-	-	39	-	-	-	35	34	33
															-	-	-	-	-	26	-	-	23	22	-	-	19	-	-	
															-	-	-	-	-	11	-	-	-	-	-	-	-	-	1	
MX123 CONN ASSY 73 CKT GRY OPT0 KEY B/53	345664693	C-HSG-B0	G-CAP-0-P	TPA-B0	RS	LS	MAL	CPA	MSEAL	RSEAL	-	-	-	-	-	-	-	64	63	62	-	-	59	58	-	-	-	-	53	
											-	-	-	-	-	47	-	45	-	43	42	-	-	39	-	-	-	35	34	33
															-	-	-	-	-	26	25	-	23	22	-	-	-	-	-	
															-	-	-	-	-	-	-	-	-	-	-	-	3	-	1	
MX123 CONN ASSY 73 CKT GRY OPT0 KEY B/48	345664703	C-HSG-B0	G-CAP-0-P	TPA-B0	RS	LS	MAL	CPA	MSEAL	RSEAL	72	71	70	69	68	-	-	-	-	63	62	61	60	-	-	-	56	-	54	-
											52	51	50	-	-	-	46	45	-	43	42	41	40	-	-	-	36	-	34	-
															32	31	30	-	28	27	26	25	24	-	-	-	20	19	18	17
															16	15	14	13	-	11	10	-	8	-	6	5	4	3	2	1
MX123 CONN ASSY 73 CKT BLK OPT0 KEY A/37	345664713	C-HSG-A0	G-CAP-0-P	TPA-A0	RS	LS	MAL	CPA	MSEAL	RSEAL	-	-	-	-	68	-	66	65	-	-	62	61	-	-	58	57	-	-	-	-
											-	-	50	-	48	-	46	-	-	-	-	40	39	38	37	-	35	-	33	
															-	31	-	29	-	27	-	25	24	-	22	21	20	-	-	17
															-	-	14	13	-	11	-	9	8	7	6	5	4	-	2	1
MX123 CONN ASSY 73 CKT BLK OPT0 KEY A/36	345664723	C-HSG-A0	G-CAP-0-P	TPA-A0	RS	LS	MAL	CPA	MSEAL	RSEAL	-	-	-	-	68	67	66	65	-	-	62	61	-	-	57	-	-	-	-	
											-	-	50	-	48	-	46	-	-	-	-	40	39	38	37	-	35	-	33	
															-	31	-	29	-	27	-	25	24	23	22	21	20	-	-	17
															-	-	14	13	-	11	-	9	8	7	6	5	4	-	2	1
MX123 CONN ASSY 73 CKT BLK OPT0 KEY A/39	345664733	C-HSG-A0	G-CAP-0-P	TPA-A0	RS	LS	MAL	CPA	MSEAL	RSEAL	-	-	-	-	68	67	66	65	-	-	62	61	-	-	57	-	-	-	-	
											-	-	50	-	48	-	46	-	-	-	-	40	39	38	37	-	35	-	33	
															-	31	-	29	-	27	-	25	24	23	22	-	20	-	-	17
															-	-	14	13	-	11	-	9	-	7	6	-	4	-	2	1
MX123 CONN ASSY 73 CKT BLK OPT9 KEY A/59	345664743	C-HSG-A9	G-CAP-9-P	TPA-A9	RS	LS	MAL	CPA	MSEAL	RSEAL	-	-	-	-	68	-	66	-	-	-	-	-	-	-	-	-	-	-	-	
											-	-	-	-	-	-	46	-	-	-	-	-	-	38	-	-	35	-	33	
															-	31	-	-	-	-	25	-	-	22	-	20	-	-	-	
															-	-	-	-	-	-	9	-	7	6	-	4	-	-	-	

ASSEMBLY DESCRIPTION	ASSEMBLY PART NUMBER	CONNECTOR HOUSING	GROMMET CAP	TPA	RIGHT SLIDE	LEFT SLIDE	MATE ASSIST LEVER	CPA	MAT SEAL	RING SEAL	BLOCKED TERMINALS																				STATUS	COMMENTS	INTEGRAL COMPONENTS SOLD SEPARATELY
											CAVITY WITH A NUMBER INDICATES BLOCKED TERMINAL POSITION																						DRESS COVER
											CAVITY WITHOUT A NUMBER INDICATES OPEN TERMINAL POSITION																						
MX123 CONN ASSY 73 CKT GRY OPT0 KEY B/20	345664753	C-HSG-B0	G-CAP-0-P	TPA-B0	RS	LS	MAL	CPA	MSEAL	RSEAL	72	71	70	69	-	-	66	65	-	63	62	61	60	59	-	57	56	55	54	53	SALEABLE		345650003
											52	51	50	49	48	47	-	-	44	43	42	41	40	39	-	37	36	35	34	33			
															-	31	-	-	-	-	26	25	24	23	-	21	20	19	18	-			
															16	-	14	-	12	11	-	9	8	7	-	5	4	3	2	-			
MX123 CONN ASSY 73 CKT GRY OPT0 KEY B/16	345664763	C-HSG-B0	G-CAP-0-P	TPA-B0	RS	LS	MAL	CPA	MSEAL	RSEAL	72	71	70	69	-	-	66	65	-	63	62	61	60	59	58	57	56	55	54	53	SALEABLE		345650003
											52	51	50	49	48	47	-	-	44	43	42	41	40	39	38	37	36	35	34	33			
															-	31	-	-	-	-	26	25	24	23	22	21	20	19	18	-			
															16	-	14	-	12	11	-	9	8	7	-	5	4	3	2	1			
MX123 CONN ASSY 73 CKT GRY OPT0 KEY B/25	345664773	C-HSG-B0	G-CAP-0-P	TPA-B0	RS	LS	MAL	CPA	MSEAL	RSEAL	72	71	70	69	-	-	66	65	-	63	62	61	60	-	-	57	56	55	-	53	SALEABLE		345650003
											52	51	50	49	48	47	-	-	44	43	42	41	40	-	-	37	36	35	34	33			
															-	31	-	-	-	-	26	25	24	-	-	21	20	19	18	-			
															16	-	14	-	12	11	-	9	-	7	-	5	4	3	2	-			
MX123 CONN ASSY 73 CKT GRY OPT0 KEY B/25	345664783	C-HSG-B0	G-CAP-0-P	TPA-B0	RS	LS	MAL	CPA	MSEAL	RSEAL	72	71	70	69	-	-	66	65	-	-	62	61	60	59	-	57	56	-	54	53	SALEABLE		345650003
											52	51	50	49	48	47	-	-	44	-	42	41	40	39	-	37	36	-	34	33			
															-	31	-	-	-	-	26	25	24	23	-	21	20	-	18	-			
															16	-	14	-	12	11	-	9	8	7	-	5	4	3	2	-			
MX123 CONN ASSY 73 CKT GRY OPT0 KEY B/21	345664793	C-HSG-B0	G-CAP-0-P	TPA-B0	RS	LS	MAL	CPA	MSEAL	RSEAL	72	71	70	69	-	-	66	65	-	-	62	61	60	59	-	57	56	55	54	53	SALEABLE		345650003
											52	51	50	49	48	47	-	-	44	-	42	41	40	39	-	37	36	35	34	33			
															-	31	-	-	-	-	26	25	24	23	-	21	20	19	18	-			
															16	-	14	-	12	11	-	9	8	7	-	5	4	3	2	1			
MX123 CONN ASSY 73 CKT BLK OPT0 KEY A/38	345664803	C-HSG-A0	G-CAP-0-P	TPA-A0	RS	LS	MAL	CPA	MSEAL	RSEAL	-	-	70	-	-	-	-	65	-	-	-	-	60	-	58	57	56	55	54	-	SALEABLE		345650003
											52	51	50	49	-	47	46	45	-	43	-	-	40	-	38	37	36	-	34	-			
															-	31	30	-	28	-	26	-	24	-	22	21	20	19	18	-			
															16	15	14	-	-	-	10	-	-	7	6	-	-	-	-	-			
MX123 CONN ASSY 73 CKT GRY OPT9 KEY B/26	345664813	C-HSG-B9	G-CAP-9-P	TPA-B9	RS	LS	MAL	CPA	MSEAL	RSEAL	72	71	70	69	-	-	66	65	-	63	62	61	60	-	-	57	56	55	-	53	SALEABLE		345650003
											52	51	50	49	48	47	-	-	44	43	42	41	40	-	-	37	36	35	34	33			
															-	31	-	-	-	-	26	25	24	-	-	21	20	19	18	-			
															16	-	14	-	12	11	-	-	-	7	-	5	4	3	2	-			
MX123 CONN ASSY 73 CKT BLU OPT0 KEY C/46	345664823	C-HSG-C0	G-CAP-0-P	TPA-C0	RS	LS	MAL	CPA	MSEAL	RSEAL	72	71	70	69	-	-	-	-	-	63	62	61	60	-	-	-	56	-	-	-	SALEABLE		345650003
											52	-	-	-	-	47	-	-	44	-	-	-	-	-	-	-	36	-	34	-			
															-	-	-	29	28	27	-	25	-	-	-	21	-	19	18	17			
															-	15	14	-	12	11	-	-	-	-	-	-	-	-	-	-			
MX123 CONN ASSY 73 CKT BLU OPT0 KEY C/41	345664833	C-HSG-C0	G-CAP-0-P	TPA-C0	RS	LS	MAL	CPA	MSEAL	RSEAL	-	71	-	69	-	-	-	65	64	-	-	61	60	-	58	-	56	55	54	-	SALEABLE		345650003
											-	-	50	49	-	-	-	45	-	43	-	41	-	-	38	-	-	35	-	-			
															-	31	-	29	28	-	-	-	-	23	-	-	20	19	18	17			
															16	-	-	13	12	11	-	-	-	7	-	-	-	3	-	1			
MX123 CONN ASSY 73 CKT BLU OPT0 KEY C/42	345664843	C-HSG-C0	G-CAP-0-P	TPA-C0	RS	LS	MAL	CPA	MSEAL	RSEAL	-	71	-	69	-	-	-	65	64	-	-	61	60	-	58	-	56	55	54	-	SALEABLE		345650003
											-	-	50	49	-	-	-	45	-	43	-	41	-	-	-	-	35	-	-				
															-	31	-	29	28	-	-	-	-	23	-	-	20	19	18	17			
															16	-	-	13	12	11	-	-	-	7	-	-	-	3	-	1			
MX123 CONN ASSY 73 CKT BLU OPT0 KEY C/45	345664853	C-HSG-C0	G-CAP-0-P	TPA-C0	RS	LS	MAL	CPA	MSEAL	RSEAL	-	71	-	69	-	67	-	65	64	-	-	61	60	-	58	-	-	-	54	-	SALEABLE		345650003
											-	-	50	49	-	-	-	45	-	43	-	41	-	-	38	-	-	35	-	-			
															-	31	-	29	28	-	-	-	-	23	-	-	20	-	-	17			
															16	-	-	13	12	11	-	-	-	7	-	-	-	-	-	1			
MX123 CONN ASSY 73 CKT BLU OPT0 KEY C/41	345664863	C-HSG-C0	G-CAP-0-P	TPA-C0	RS	LS	MAL	CPA	MSEAL	RSEAL	-	71	-	69	-	67	-	65	64	-	-	61	60	-	58	-	56	55	54	-	SALEABLE		345650003
											-	-	50	49	-	-	-	45	-	43	-	41	-	-	-	-	35	-	-				
															-	31	-	29	28	-	-	-	-	23	-	-	20	19	18	17			
															16	-	-	13	12	11	-	-	-	7	-	-	-	3	-	1			

ASSEMBLY DESCRIPTION	ASSEMBLY PART NUMBER	CONNECTOR HOUSING	GROMMET CAP	TPA	RIGHT SLIDE	LEFT SLIDE	MATE ASSIST LEVER	CPA	MAT SEAL	RING SEAL	BLOCKED TERMINALS																		STATUS	COMMENTS	INTEGRAL COMPONENTS SOLD SEPARATELY
											CAVITY WITH A NUMBER INDICATES BLOCKED TERMINAL POSITION																				DRESS COVER
											CAVITY WITHOUT A NUMBER INDICATES OPEN TERMINAL POSITION																				
MX123 CONN ASSY 73 CKT BLU OPT0 KEY C/40	345664873	C-HSG-C0	G-CAP-0-P	TPA-C0	RS	LS	MAL	CPA	MSEAL	RSEAL	-	71	-	69	-	67	-	65	64	-	-	61	60	-	58	-	56	55	54	-	
											-	-	50	49	-	-	-	45	-	43	-	41	-	-	38	-	-	35	-	-	
														-	31	-	29	28	-	-	-	-	23	-	-	20	19	18	17		
											16	-	-	13	12	11	-	-	-	7	-	-	-	3	-	1					
MX123 CONN ASSY 73 CKT BLK OPT9 KEY A/39	345664883	C-HSG-A9	G-CAP-9-P	TPA-A9	RS	LS	MAL	CPA	MSEAL	RSEAL	-	71	70	-	68	-	66	-	64	-	62	61	-	59	58	-	-	55	54	-	
											52	51	50	-	48	-	-	45	-	-	42	41	-	39	38	-	-	-	34	-	
														-	31	-	-	-	-	27	26	25	-	23	22	-	-	19	18	-	
											-	-	-	-	12	-	-	9	8	7	6	-	-	-	-	-					
MX123 CONN ASSY 73 CKT GRY OPT9 KEY B/24	345664893	C-HSG-B9	G-CAP-9-P	TPA-B9	RS	LS	MAL	CPA	MSEAL	RSEAL	72	71	70	69	-	-	66	65	-	-	62	61	60	59	-	57	56	-	54	53	
											52	51	50	49	48	47	-	-	44	-	42	41	40	39	-	37	36	-	34	33	
														-	31	-	-	-	-	26	25	24	23	-	21	20	-	18	-		
											16	-	14	-	12	11	-	9	8	7	6	5	4	3	2	-					
MX123 CONN ASSY 73 CKT BLK OPT0 KEY A/21	345664903	C-HSG-A0	G-CAP-0-P	TPA-A0	RS	LS	MAL	CPA	MSEAL	RSEAL	-	-	-	-	-	67	-	-	-	-	-	60	-	-	-	-	-	54	53		
											-	-	-	-	48	-	46	45	-	-	42	-	40	39	-	-	-	-	-		
														-	-	-	-	-	-	26	25	-	-	22	21	-	-	-	-		
											-	-	-	-	-	-	-	8	7	6	5	4	3	-	-						
MX123 CONN ASSY 73 CKT GRY OPT9 KEY B/27	345664913	C-HSG-B9	G-CAP-9-P	TPA-B9	RS	LS	MAL	CPA	MSEAL	RSEAL	72	71	70	69	-	-	66	65	-	-	62	61	60	59	-	-	56	-	54	-	
											52	51	50	49	48	47	-	-	44	-	42	41	40	39	-	-	36	-	34	33	
														-	31	-	-	-	-	26	25	24	23	-	-	20	-	18	-		
											16	15	14	13	-	11	-	9	8	7	6	5	4	3	2	-					
MX123 CONN ASSY 73 CKT BLK OPT9 KEY A/38	345664923	C-HSG-A9	G-CAP-9-P	TPA-A9	RS	LS	MAL	CPA	MSEAL	RSEAL	-	71	70	-	68	-	66	-	64	-	62	61	-	59	58	-	-	55	54	-	
											52	51	50	-	48	-	46	45	-	-	42	41	-	39	38	-	-	-	34	-	
														-	31	-	-	-	-	27	26	25	-	23	22	-	-	19	18	-	
											-	-	-	-	12	-	-	9	8	7	6	-	-	-	-	-					
MX123 CONN ASSY 73 CKT BLU OPT0 KEY C/41	345664933	C-HSG-C0	G-CAP-0-P	TPA-C0	RS	LS	MAL	CPA	MSEAL	RSEAL	-	71	-	69	-	-	-	65	64	-	-	61	60	-	58	-	56	55	54	-	
											-	-	50	49	-	-	-	45	-	43	42	41	-	-	38	-	-	-	-		
														-	31	-	29	28	-	-	-	-	23	-	-	20	19	18	17		
											16	-	-	13	12	11	-	-	-	7	-	-	-	3	-	1					
MX123 CONN ASSY 73 CKT BLK OPT0 KEY A/49	345664943	C-HSG-A0	G-CAP-0-P	TPA-A0	RS	LS	MAL	CPA	MSEAL	RSEAL	72	71	-	-	-	-	66	65	64	-	-	-	-	-	-	-	-	-			
											-	-	-	-	48	47	46	45	-	-	-	-	40	-	-	-	-	35	-	33	
														-	-	30	-	-	-	-	-	24	-	22	21	20	-	-	17		
											-	-	-	-	-	-	-	-	-	7	6	5	4	-	2	1					
MX123 CONN ASSY 73 CKT GRY OPT0 KEY B/51	345664953	C-HSG-B0	G-CAP-0-P	TPA-B0	RS	LS	MAL	CPA	MSEAL	RSEAL	-	-	-	-	-	-	-	-	-	-	62	61	60	-	58	57	56	55	54	-	
											-	-	-	-	-	-	-	-	-	-	42	41	40	-	38	37	36	35	-	-	
														-	-	-	-	-	-	-	-	-	-	22	21	20	-	-	-		
											-	-	-	-	-	-	9	-	-	6	5	4	-	-	-						
MX123 CONN ASSY 73 CKT BLK OPT9 KEY A/43	345664963	C-HSG-A9	G-CAP-9-P	TPA-A9	RS	LS	MAL	CPA	MSEAL	RSEAL	-	71	70	-	68	-	-	-	64	-	62	61	-	59	58	-	-	55	54	-	
											52	51	50	-	48	-	-	45	-	-	-	41	-	39	38	-	-	-	34	-	
														-	31	-	-	-	-	-	25	-	23	22	-	-	19	18	-		
											-	-	-	-	12	-	-	9	8	7	6	-	-	-	-	-					
MX123 CONN ASSY 73 CKT GRY OPT9 KEY B/27	345664973	C-HSG-B9	G-CAP-9-P	TPA-B9	RS	LS	MAL	CPA	MSEAL	RSEAL	72	71	70	69	-	-	66	65	-	63	62	61	60	-	-	57	56	55	-	53	
											52	51	50	49	48	47	-	-	-	-	42	41	40	-	-	37	36	35	34	33	
														-	31	-	-	-	-	26	25	24	-	-	21	20	19	18	-		
											16	-	14	-	-	11	-	9	8	7	-	5	4	3	2	-					
MX123 CONN ASSY 73 CKT GRY OPT0 KEY B/39	345664983	C-HSG-B0	G-CAP-0-P	TPA-B0	RS	LS	MAL	CPA	MSEAL	RSEAL	-	71	-	69	-	67	-	65	64	63	62	61	-	-	58	57	56	-	-	-	
											-	51	-	49	-	47	-	45	-	43	42	41	-	-	38	37	36	-	-	-	
														-	-	-	-	-	-	-	-	-	-	22	21	20	-	-	-		
											-	15	14	13	12	11	-	9	-	-	6	5	4	3	-	-					

ASSEMBLY DESCRIPTION	ASSEMBLY PART NUMBER	CONNECTOR HOUSING	GROMMET CAP	TPA	RIGHT SLIDE	LEFT SLIDE	MATE ASSIST LEVER	CPA	MAT SEAL	RING SEAL	BLOCKED TERMINALS																STATUS	COMMENTS	INTEGRAL COMPONENTS SOLD SEPARATELY													
											CAVITY WITH A NUMBER INDICATES BLOCKED TERMINAL POSITION																		DRESS COVER													
											CAVITY WITHOUT A NUMBER INDICATES OPEN TERMINAL POSITION																															
MX123 CONN ASSY 73 CKT BLK OPT0 KEY A/36	345664993	C-HSG-A0	G-CAP-0-P	TPA-A0	RS	LS	MAL	CPA	MSEAL	RSEAL	-	-	-	-	68	-	66	65	-	-	62	61	-	-	58	57	-	-	-	-												
											-	-	50	-	48	-	46	-	-	-	-	40	39	38	37	-	35	-	33													
																											-	31	-	29	-	27	-	25	24	23	22	21	20	-	-	17
																											-	-	14	13	-	11	-	9	8	7	6	5	4	-	2	1
MX123 CONN ASSY 73 CKT GRY OPT9 KEY B/31	345665013	C-HSG-B9	G-CAP-9-P	TPA-B9	RS	LS	MAL	CPA	MSEAL	RSEAL	72	71	70	69	-	-	66	65	-	-	62	61	60	-	-	57	56	-	-	53												
											52	51	50	49	48	47	-	-	-	-	42	41	40	-	-	37	36	-	34	33												
																											-	31	-	-	-	-	26	25	24	-	-	21	20	-	18	-
																											16	-	14	-	-	11	-	9	8	7	-	5	4	3	2	-
MX123 CONN ASSY 73 CKT BLU OPT0 KEY C/38	345665023	C-HSG-C0	G-CAP-0-P	TPA-C0	RS	LS	MAL	CPA	MSEAL	RSEAL	-	71	-	69	-	-	66	65	64	-	-	61	60	-	58	-	56	55	54	-												
											-	-	50	49	-	-	-	45	-	43	-	41	-	-	38	-	-	35	-	-												
																											-	31	-	29	28	27	-	-	-	23	-	-	-	19	18	17
																											16	-	-	13	12	11	10	9	-	7	-	-	-	3	-	1
MX123 CONN ASSY 73 CKT BLK OPT0 KEY A/40	345665033	C-HSG-A0	G-CAP-0-P	TPA-A0	RS	LS	MAL	CPA	MSEAL	RSEAL	72	71	-	-	68	67	66	65	64	-	-	-	-	59	-	-	-	-	-													
											-	-	50	-	48	47	46	45	-	-	-	-	40	39	38	-	-	-	-	-												
																											-	31	30	-	-	-	-	-	24	23	22	21	20	-	-	17
																											-	-	14	-	-	-	-	9	8	7	6	5	4	-	2	1
MX123 CONN ASSY 73 CKT BLK OPT0 KEY A/2	345665043	C-HSG-A0	G-CAP-0-P	TPA-A0	RS	LS	MAL	CPA	MSEAL	RSEAL	72	71	70	69	68	67	66	65	64	63	62	61	60	59	58	57	56	55	54	53												
											52	51	50	49	48	47	46	45	44	43	42	41	40	39	38	37	36	35	34	33												
																											32	-	30	29	28	27	26	25	24	23	22	21	20	19	18	17
																											16	15	14	13	12	11	10	9	8	7	6	5	4	3	2	1
MX123 CONN ASSY 73 CKT GRY OPT0 KEY B/6	345665053	C-HSG-B0	G-CAP-0-P	TPA-B0	RS	LS	MAL	CPA	MSEAL	RSEAL	72	71	70	69	68	67	66	65	64	63	62	61	60	59	58	57	56	55	54	53												
											52	51	50	49	48	-	46	45	44	43	42	41	40	39	38	37	36	35	34	33												
																											32	-	30	29	28	27	26	25	24	23	22	21	-	19	18	-
																											16	15	14	13	12	11	10	9	8	7	6	5	4	3	2	-
MX123 CONN ASSY 73 CKT BLK OPT9 KEY A/62	345665073	C-HSG-A9	G-CAP-9-P	TPA-A9	RS	LS	MAL	CPA	MSEAL	RSEAL	-	-	-	-	-	-	-	-	-	-	-	-	-	-	-	-	-	-														
											-	-	-	-	-	-	-	-	-	-	-	-	-	-	-	-	-	35	-	-												
																											-	-	-	-	-	-	-	25	-	-	-	-	-	-	-	17
																											-	15	14	-	-	-	-	-	-	7	6	5	4	3	2	-
MX123 CONN ASSY 73 CKT BLK OPT9 KEY A/39	345665083	C-HSG-A9	G-CAP-9-P	TPA-A9	RS	LS	MAL	CPA	MSEAL	RSEAL	72	71	-	-	68	67	66	65	64	-	-	-	-	59	-	-	-	-	-													
											-	-	50	-	48	47	46	45	-	-	-	-	40	39	-	-	36	35	-	33												
																											-	31	30	-	-	-	-	25	24	-	22	21	20	-	-	17
																											-	-	14	-	-	-	-	9	-	7	6	5	4	-	2	1
MX123 CONN ASSY 73 CKT GRY OPT0 KEY B/57	345665093	C-HSG-B0	G-CAP-0-P	TPA-B0	RS	LS	MAL	CPA	MSEAL	RSEAL	-	-	-	-	-	-	-	-	-	-	-	-	-	-	-	-	-	-														
											-	-	-	-	-	-	-	-	-	-	-	-	-	-	-	-	-	-	-	-												
																											32	31	30	-	28	-	26	25	24	-	-	-	20	19	-	17
																											-	-	-	-	12	11	10	9	-	-	-	-	-	-	2	1
MX123 CONN ASSY 73 CKT GRY OPT0 KEY B/52	345665103	C-HSG-B0	G-CAP-0-P	TPA-B0	RS	LS	MAL	CPA	MSEAL	RSEAL	72	71	70	69	68	-	-	-	64	63	62	61	60	-	58	-	56	-	54	-												
											52	51	50	-	-	-	-	45	-	43	42	41	40	-	38	-	36	-	34	-												
																											32	31	30	-	-	27	26	25	24	-	22	-	20	19	18	17
																											16	15	14	13	12	11	10	9	8	-	6	5	4	3	2	1
MX123 CONN ASSY 73 CKT BLK OPT0 KEY A/50	345665113	C-HSG-A0	G-CAP-0-P	TPA-A0	RS	LS	MAL	CPA	MSEAL	RSEAL	-	-	-	-	-	-	-	65	-	-	-	61	-	-	58	57	56	-	-	-												
											-	51	50	-	-	47	46	45	-	-	-	-	-	-	38	37	36	-	-	-												
																											-	31	30	-	28	-	26	-	-	-	22	21	20	-	-	-
																											-	15	14	-	-	-	10	-	-	-	-	-	-	-	-	-
MX123 CONN ASSY 73 CKT BLU OPT9 KEY C/43	345665123	C-HSG-C9	G-CAP-9-P	TPA-C9	RS	LS	MAL	CPA	MSEAL	RSEAL	-	71	-	69	-	-	-	65	64	-	-	61	60	-	58	-	56	55	54	-												
											-	-	50	49	-	-	-	-	-	43	42	41	-	-	-	-	35	-	-													
																											-	31	-	29	28	-	-	-	-	23	-	-	-	19	18	17
																											16	-	-	13	12	11	-	-	-	7	-	-	-	3	-	1

ASSEMBLY DESCRIPTION	ASSEMBLY PART NUMBER	CONNECTOR HOUSING	GROMMET CAP	TPA	RIGHT SLIDE	LEFT SLIDE	MATE ASSIST LEVER	CPA	MAT SEAL	RING SEAL	BLOCKED TERMINALS																		STATUS	COMMENTS	INTEGRAL COMPONENTS SOLD SEPARATELY					
											CAVITY WITH A NUMBER INDICATES BLOCKED TERMINAL POSITION																				DRESS COVER					
											CAVITY WITHOUT A NUMBER INDICATES OPEN TERMINAL POSITION																									
MX123 CONN ASSY 73 CKT GRY OPT0 KEY B/39	345665253	C-HSG-B0	G-CAP-0-P	TPA-B0	RS	LS	MAL	CPA	MSEAL	RSEAL	72	71	70	69	68	-	-	65	64	-	62	61	60	-	-	-	-	-	54	-						
											52	51	-	-	-	47	-	-	44	-	42	41	40	-	-	-	-	-	-	-	-	-	-	-	-	-
															32	31	30	-	28	-	26	25	24	-	-	-	20	19	-	17	-	-	-	-	-	-
															-	-	-	-	12	11	10	9	-	-	-	-	-	-	-	2	1	-	-	-	-	-
MX123 CONN ASSY 73 CKT GRY OPT0 KEY B/50	345665263	C-HSG-B0	G-CAP-0-P	TPA-B0	RS	LS	MAL	CPA	MSEAL	RSEAL	-	-	-	69	-	-	-	65	64	63	-	-	-	-	-	-	-	-	-	-						
											-	-	-	49	-	-	-	45	44	43	-	-	-	-	-	-	-	-	-	-	-	-	-	-	-	
															-	-	-	-	-	-	26	-	-	23	22	21	20	19	18	-	-	-	-	-	-	-
															-	-	-	-	12	11	-	9	-	7	6	5	4	3	-	-	-	-	-	-	-	-
MX123 CONN ASSY 73 CKT BLK OPT0 KEY A/40	345665273	C-HSG-A0	G-CAP-0-P	TPA-A0	RS	LS	MAL	CPA	MSEAL	RSEAL	72	71	-	-	68	67	66	65	64	-	-	-	-	59	-	-	-	-	-	-	-					
											-	-	50	-	48	47	46	45	-	-	-	-	40	39	38	-	-	35	-	33	-	-	-	-		
															-	31	30	-	-	-	-	25	24	-	22	21	20	-	-	17	-	-	-	-	-	-
															-	-	14	-	-	-	-	-	-	-	7	6	5	4	-	2	1	-	-	-	-	-
MX123 CONN ASSY 73 CKT BLU OPT0 KEY C/41	345665283	C-HSG-C0	G-CAP-0-P	TPA-C0	RS	LS	MAL	CPA	MSEAL	RSEAL	-	71	-	69	-	-	-	65	64	-	-	61	60	-	58	-	-	-	-	-	-					
											-	-	50	49	-	-	-	45	-	43	-	41	-	-	38	37	36	35	-	-	-	-	-	-	-	
															-	31	-	29	28	27	-	-	24	23	-	-	20	-	-	17	-	-	-	-	-	-
															16	-	-	13	12	11	-	-	8	7	-	-	-	-	2	1	-	-	-	-	-	-
MX123 CONN ASSY 73 CKT BLK OPT0 KEY A/41	345665293	C-HSG-A0	G-CAP-0-P	TPA-A0	RS	LS	MAL	CPA	MSEAL	RSEAL	72	71	-	-	68	67	66	65	64	-	-	-	-	59	-	-	-	-	-	-	-					
											-	-	50	-	48	47	46	45	-	-	-	-	39	38	-	-	35	-	33	-	-	-	-	-		
															-	31	30	-	-	-	-	25	24	23	22	21	20	-	-	-	-	-	-	-	-	-
															-	-	14	-	-	-	-	9	8	7	6	5	4	-	-	-	-	-	-	-	-	-
MX123 CONN ASSY 73 CKT GRY OPT0 KEY B/49	345665303	C-HSG-B0	G-CAP-0-P	TPA-B0	RS	LS	MAL	CPA	MSEAL	RSEAL	72	71	70	69	68	67	66	-	-	63	62	61	60	-	58	-	56	-	54	-						
											52	51	-	-	-	47	-	45	44	43	42	41	40	-	38	-	36	-	34	-	-	-	-	-		
															-	31	30	-	28	27	26	25	24	-	22	-	20	19	18	17	-	-	-	-	-	
															16	-	14	13	12	11	10	9	8	-	-	-	-	-	-	2	1	-	-	-	-	-
MX123 CONN ASSY 73 CKT BLU OPT0 KEY C/47	345665313	C-HSG-C0	G-CAP-0-P	TPA-C0	RS	LS	MAL	CPA	MSEAL	RSEAL	-	71	-	69	-	-	-	65	64	-	-	61	60	-	58	-	-	-	54	-						
											-	-	50	49	-	-	-	45	-	43	-	41	-	-	-	-	35	-	-	-	-	-	-	-		
															-	31	-	29	28	-	-	-	23	-	-	20	-	-	17	-	-	-	-	-	-	
															16	-	-	13	12	11	-	-	-	7	-	-	-	-	-	1	-	-	-	-	-	-
MX123 CONN ASSY 73 CKT BLK OPT0 KEY A/35	345665333	C-HSG-A0	G-CAP-0-P	TPA-A0	RS	LS	MAL	CPA	MSEAL	RSEAL	-	-	-	69	-	-	-	-	-	-	-	61	-	-	58	57	-	55	54	-						
											52	-	50	-	-	-	-	-	-	-	42	-	-	39	38	37	36	35	34	33	-	-	-	-		
															32	31	-	-	-	27	-	-	-	23	22	21	-	19	18	-	-	-	-	-	-	
															16	15	14	13	-	-	10	9	8	7	6	5	4	3	2	1	-	-	-	-	-	-
MX123 CONN ASSY 73 CKT GRY OPT0 KEY B/24	345665343	C-HSG-B0	G-CAP-0-P	TPA-B0	RS	LS	MAL	CPA	MSEAL	RSEAL	72	71	70	69	-	-	66	65	-	63	62	61	60	-	-	57	56	55	-	53	-					
											52	51	50	49	48	47	-	-	44	43	42	41	40	-	-	37	36	35	34	33	-	-	-	-		
															-	31	-	-	-	-	26	25	24	-	-	21	20	19	18	-	-	-	-	-	-	
															16	15	14	13	-	11	-	9	-	7	-	5	4	3	2	-	-	-	-	-	-	-
MX123 CONN ASSY 73 CKT GRY OPT9 KEY B/32	345665353	C-HSG-B9	G-CAP-9-P	TPA-B9	RS	LS	MAL	CPA	MSEAL	RSEAL	72	71	70	69	-	-	66	65	-	-	62	61	60	-	-	57	56	-	-	53	-					
											52	51	50	49	48	47	-	-	-	-	42	41	40	-	-	37	36	-	-	33	-	-	-			
															-	31	-	-	-	-	26	25	24	-	-	21	20	-	18	-	-	-	-	-		
															16	-	14	-	-	11	-	9	8	7	-	5	4	3	2	-	-	-	-	-	-	
MX123 CONN ASSY 73 CKT BLU OPT0 KEY C/35	345665363	C-HSG-C0	G-CAP-0-P	TPA-C0	RS	LS	MAL	CPA	MSEAL	RSEAL	-	71	-	69	-	67	-	65	64	-	-	61	60	-	58	-	56	55	54	-						
											-	-	50	49	-	-	-	45	-	43	-	41	-	-	37	36	35	-	-	-	-	-	-	-		
															-	31	-	29	28	27	-	-	24	23	-	-	20	19	18	17	-	-	-	-	-	
															16	-	-	13	12	11	-	-	8	7	-	-	-	3	2	1	-	-	-	-	-	-
MX123 CONN ASSY 73 CKT BLU OPT0 KEY C/32	345665373	C-HSG-C0	G-CAP-0-P	TPA-C0	RS	LS	MAL	CPA	MSEAL	RSEAL	-	71	-	69	-	67	-	65	64	-	-	61	60	-	58	-	56	55	54	-						
											-	-	50	49	-	-	-	45	-	43	-	41	-	-	38	37	36	35	-	-	-	-	-	-		
															-	31	-	29	28	27	-	-	24	23	-	-	20	19	18	17	-	-	-	-	-	
															16	-	-	13	12	11	-	-	8	7	-	5	4	3	2	1	-	-	-	-	-	-

ASSEMBLY DESCRIPTION	ASSEMBLY PART NUMBER	CONNECTOR HOUSING	GROMMET CAP	TPA	RIGHT SLIDE	LEFT SLIDE	MATE ASSIST LEVER	CPA	MAT SEAL	RING SEAL	BLOCKED TERMINALS																		STATUS	COMMENTS	INTEGRAL COMPONENTS SOLD SEPARATELY						
											CAVITY WITH A NUMBER INDICATES BLOCKED TERMINAL POSITION																				DRESS COVER						
											CAVITY WITHOUT A NUMBER INDICATES OPEN TERMINAL POSITION																										
MX123 CONN ASSY 73 CKT BLU OPT0 KEY C/39	345665383	C-HSG-C0	G-CAP-0-P	TPA-C0	RS	LS	MAL	CPA	MSEAL	RSEAL	-	71	-	69	-	67	-	65	64	-	-	61	60	-	58	-	56	55	54	-							
											-	-	50	49	-	-	-	45	-	43	-	41	-	-	38	-	-	35	-	-							
																						-	31	-	29	28	27	-	-	-	23	-	-	20	19	18	17
																						16	-	-	13	12	11	-	-	-	7	-	-	-	3	-	1
MX123 CONN ASSY 73 CKT BLK OPT0 KEY A/30	345665393	C-HSG-A0	G-CAP-0-P	TPA-A0	RS	LS	MAL	CPA	MSEAL	RSEAL	72	71	-	-	68	67	66	65	64	-	62	61	60	59	58	57	-	-	-	-							
											-	-	50	-	48	47	46	45	-	-	-	-	40	39	38	37	-	35	-	33							
																						-	31	30	29	-	27	-	25	24	-	22	-	20	-	-	17
																						-	15	14	13	-	11	-	9	-	7	6	-	4	-	2	1
MX123 CONN ASSY 73 CKT GRY OPT0 KEY B/42	345665403	C-HSG-B0	G-CAP-0-P	TPA-B0	RS	LS	MAL	CPA	MSEAL	RSEAL	72	71	70	69	68	67	66	-	64	63	62	61	60	-	-	-	-	54	-								
											52	51	-	-	-	47	-	-	44	43	42	41	40	-	-	-	36	-	-								
																						32	31	30	-	28	27	26	25	24	-	-	-	20	19	-	17
																						-	-	-	13	12	11	10	9	8	-	-	-	-	-	2	1
MX123 CONN ASSY 73 CKT BLK OPT0 KEY A/31	345665413	C-HSG-A0	G-CAP-0-P	TPA-A0	RS	LS	MAL	CPA	MSEAL	RSEAL	72	71	-	-	68	67	66	65	64	-	62	61	60	59	58	57	-	-	-	-							
											-	-	50	-	48	47	46	45	-	-	-	-	40	39	38	37	-	35	-	33							
																						-	31	30	29	-	27	-	25	24	-	22	-	20	-	-	17
																						-	-	14	13	-	11	-	9	-	7	6	-	4	-	2	1
MX123 CONN ASSY 73 CKT BLK OPT0 KEY A/27	345665423	C-HSG-A0	G-CAP-0-P	TPA-A0	RS	LS	MAL	CPA	MSEAL	RSEAL	72	71	-	-	68	67	66	65	64	-	62	61	60	59	-	57	-	-	-	-							
											-	-	50	-	48	47	46	45	-	-	-	-	40	39	38	37	-	35	-	33							
																						-	31	30	29	-	27	-	25	24	23	22	21	20	-	-	17
																						-	15	14	13	-	11	-	9	8	7	6	5	4	-	2	1
MX123 CONN ASSY 73 CKT GRY OPT9 KEY B/22	345665433	C-HSG-B9	G-CAP-9-P	TPA-B9	RS	LS	MAL	CPA	MSEAL	RSEAL	72	71	70	69	-	-	66	65	-	63	62	61	60	-	-	57	56	55	-	53							
											52	51	50	49	48	47	-	-	44	43	42	41	40	-	-	37	36	35	34	33							
																						-	31	-	-	-	-	26	25	24	-	-	21	20	19	18	-
																						16	15	14	13	12	11	-	9	8	7	-	5	4	3	2	-
MX123 CONN ASSY 73 CKT GRY OPT9 KEY B/24	345665443	C-HSG-B9	G-CAP-9-P	TPA-B9	RS	LS	MAL	CPA	MSEAL	RSEAL	72	71	70	69	-	-	66	65	-	63	62	61	60	-	-	57	56	55	-	53							
											52	51	50	49	48	47	-	-	44	43	42	41	40	-	-	37	36	35	34	33							
																						-	31	-	-	-	-	26	25	24	-	-	21	20	19	18	-
																						16	-	14	-	12	11	-	9	8	7	-	5	4	3	2	-
MX123 CONN ASSY 73 CKT GRY OPT0 KEY B/24	345665453	C-HSG-B0	G-CAP-0-P	TPA-B0	RS	LS	MAL	CPA	MSEAL	RSEAL	72	71	70	69	-	-	66	65	-	63	62	61	60	-	-	57	56	55	-	53							
											52	51	50	49	48	47	-	-	44	43	42	41	40	-	-	37	36	35	34	33							
																						-	31	-	-	-	-	26	25	24	-	-	21	20	19	18	-
																						16	-	14	-	12	11	-	9	8	7	-	5	4	3	2	-
MX123 CONN ASSY 73 CKT BLK OPT0 KEY A/21	345665463	C-HSG-A0	G-CAP-0-P	TPA-A0	RS	LS	MAL	CPA	MSEAL	RSEAL	-	71	-	69	68	67	66	65	64	-	62	61	60	59	58	57	56	55	54	53							
											-	51	50	-	48	47	46	45	44	43	42	-	40	39	38	37	36	35	34	33							
																						32	-	-	29	-	-	-	25	24	-	22	21	-	-	18	17
																						-	-	-	13	-	11	-	9	8	7	-	5	4	3	2	1
MX123 CONN ASSY 73 CKT BLK OPT0 KEY A/45	345665473	C-HSG-A0	G-CAP-0-P	TPA-A0	RS	LS	MAL	CPA	MSEAL	RSEAL	-	-	-	69	-	-	-	-	-	-	-	61	-	-	58	57	-	55	54	-							
											-	-	50	49	-	-	-	-	-	-	-	-	-	39	38	37	36	35	34	33							
																						32	-	-	-	-	-	-	-	-	-	22	21	-	-	18	-
																						-	-	-	13	-	-	-	9	8	7	-	5	4	3	2	1
MX123 CONN ASSY 73 CKT GRY OPT0 KEY B/39	345665483	C-HSG-B0	G-CAP-0-P	TPA-B0	RS	LS	MAL	CPA	MSEAL	RSEAL	-	71	-	69	-	67	-	65	-	-	62	61	-	-	58	57	56	-	-	-							
											-	51	-	49	-	47	-	45	44	43	42	41	-	-	38	37	36	-	-	-							
																						-	-	-	-	-	-	-	-	-	23	22	21	-	19	18	-
																						-	15	14	13	12	11	-	9	-	7	6	-	-	3	-	-
MX123 CONN ASSY 73 CKT BLK OPT0 KEY A/37	345665493	C-HSG-A0	G-CAP-0-P	TPA-A0	RS	LS	MAL	CPA	MSEAL	RSEAL	-	71	-	-	68	67	66	65	64	-	62	61	-	-	-	-	-	-	-								
											-	-	50	-	48	47	46	45	-	-	-	-	-	39	38	-	-	35	-	33							
																						-	31	30	29	-	27	-	25	24	23	22	21	20	-	-	-
																						-	-	14	13	-	11	-	9	8	7	6	5	4	-	-	-

ASSEMBLY DESCRIPTION	ASSEMBLY PART NUMBER	CONNECTOR HOUSING	GROMMET CAP	TPA	RIGHT SLIDE	LEFT SLIDE	MATE ASSIST LEVER	CPA	MAT SEAL	RING SEAL	BLOCKED TERMINALS																				STATUS	COMMENTS	INTEGRAL COMPONENTS SOLD SEPARATELY
											CAVITY WITH A NUMBER INDICATES BLOCKED TERMINAL POSITION										CAVITY WITHOUT A NUMBER INDICATES OPEN TERMINAL POSITION												DRESS COVER
MX123 CONN ASSY 73 CKT BLK OPT0 KEY A/30	345665503	C-HSG-A0	G-CAP-0-P	TPA-A0	RS	LS	MAL	CPA	MSEAL	RSEAL	-	-	70	-	-	-	-	65	-	-	-	61	-	-	58	57	56	55	54	53	SALEABLE		345650003
											-	51	50	-	-	47	-	45	-	-	-	41	-	-	38	37	36	-	34	-			
																					-	31	30	-	28	-	-	25	-	-			
MX123 CONN ASSY 73 CKT GRY OPT9 KEY B/22	345665513	C-HSG-B9	G-CAP-9-P	TPA-B9	RS	LS	MAL	CPA	MSEAL	RSEAL	72	71	70	69	-	-	66	65	-	-	62	61	60	59	-	57	56	-	54	53	SALEABLE		345650003
											52	51	50	49	48	47	-	-	44	-	42	41	40	39	-	37	36	-	34	33			
																					-	31	-	-	-	-	26	25	24	23			
MX123 CONN ASSY 73 CKT BLK OPT9 KEY A/42	345665523	C-HSG-A9	G-CAP-9-P	TPA-A9	RS	LS	MAL	CPA	MSEAL	RSEAL	-	71	70	-	68	-	-	-	64	-	62	61	-	59	58	-	-	55	54	-	SALEABLE		345650003
											52	51	50	-	48	-	46	45	-	-	-	41	-	39	38	-	-	-	34	-			
																					-	32	-	-	-	-	-	25	-	23			
MX123 CONN ASSY 73 CKT GRY OPT9 KEY B/24	345665533	C-HSG-B9	G-CAP-9-P	TPA-B9	RS	LS	MAL	CPA	MSEAL	RSEAL	72	71	70	69	-	-	66	65	-	63	62	61	60	-	-	57	56	55	-	53	SALEABLE		345650003
											52	51	50	49	48	47	-	-	44	43	42	41	40	-	-	37	36	35	34	33			
																					-	31	-	-	-	-	26	25	24	-			
MX123 CONN ASSY 73 CKT BLK OPT9 KEY A/24	345665543	C-HSG-A9	G-CAP-9-P	TPA-A9	RS	LS	MAL	CPA	MSEAL	RSEAL	72	71	70	69	-	-	66	65	-	63	62	61	60	-	-	57	56	55	-	53	SALEABLE		345650003
											52	51	50	49	48	47	-	-	44	43	42	41	40	-	-	37	36	35	34	33			
																					-	31	-	-	-	-	26	25	24	-			
MX123 CONN ASSY 73 CKT GRY OPT9 KEY B/24	345665553	C-HSG-B9	G-CAP-9-P	TPA-B9	RS	LS	MAL	CPA	MSEAL	RSEAL	72	71	70	69	-	-	66	65	-	63	62	61	60	-	-	57	56	55	-	53	SALEABLE		345650003
											52	51	50	49	48	47	-	-	44	43	42	41	40	-	-	37	36	35	34	33			
																					-	31	-	-	-	-	26	25	24	-			
MX123 CONN ASSY 73 CKT BLK OPT0 KEY A/43	345665563	C-HSG-A0	G-CAP-0-P	TPA-A0	RS	LS	MAL	CPA	MSEAL	RSEAL	-	-	-	-	68	67	66	65	-	-	62	61	-	-	-	-	-	-	-	SALEABLE		345650003	
											-	-	50	-	-	-	46	-	-	-	-	-	40	39	38	-	-	35	-				-
																					-	31	-	29	-	27	-	25	24				23
MX123 CONN ASSY 73 CKT BLU OPT0 KEY C/52	345665573	C-HSG-C0	G-CAP-0-P	TPA-C0	RS	LS	MAL	CPA	MSEAL	RSEAL	-	71	-	69	-	67	-	65	64	-	-	61	60	-	-	-	-	54	-	SALEABLE		345650003	
											-	-	50	-	-	-	45	-	43	-	41	-	-	-	-	-	-	35	-				-
																					-	31	-	29	28	27	-	-	-				-
MX123 CONN ASSY 73 CKT GRY OPT0 KEY B/41	345665583	C-HSG-B0	G-CAP-0-P	TPA-B0	RS	LS	MAL	CPA	MSEAL	RSEAL	-	71	-	69	-	67	-	65	-	-	62	61	-	-	58	57	56	-	-	-	SALEABLE		345650003
											-	51	-	49	-	47	-	45	44	43	42	41	-	-	38	37	36	-	-	-			
																					-	-	-	-	-	-	-	-	-	22			
MX123 CONN ASSY 73 CKT BLU OPT0 KEY C/37	345665593	C-HSG-C0	G-CAP-0-P	TPA-C0	RS	LS	MAL	CPA	MSEAL	RSEAL	-	71	-	69	-	67	-	65	64	-	-	61	60	-	58	-	56	-	54	-	SALEABLE		345650003
											-	-	50	49	-	-	-	45	-	43	-	41	-	-	38	37	36	35	-	-			
																					-	31	-	29	28	27	-	-	24	-			
MX123 CONN ASSY 73 CKT BLK OPT0 KEY A/33	345665603	C-HSG-A0	G-CAP-0-P	TPA-A0	RS	LS	MAL	CPA	MSEAL	RSEAL	-	-	70	-	-	-	-	65	-	-	-	61	60	-	58	57	-	55	54	-	SALEABLE		345650003
											52	51	-	49	-	47	-	45	-	-	-	41	40	-	38	37	-	-	34	-			
																					-	31	-	-	28	-	26	25	24	-			
MX123 CONN ASSY 73 CKT BLU OPT0 KEY C/43	345665613	C-HSG-C0	G-CAP-0-P	TPA-C0	RS	LS	MAL	CPA	MSEAL	RSEAL	-	71	-	69	-	67	66	65	64	-	-	61	60	-	-	-	56	55	54	-	SALEABLE		345650003
											-	-	50	49	-	-	46	45	-	43	-	41	-	-	38	-	-	35	-	-			
																					-	31	-	29	28	-	-	-	-	-			

ASSEMBLY DESCRIPTION	ASSEMBLY PART NUMBER	CONNECTOR HOUSING	GROMMET CAP	TPA	RIGHT SLIDE	LEFT SLIDE	MATE ASSIST LEVER	CPA	MAT SEAL	RING SEAL	BLOCKED TERMINALS																		STATUS	COMMENTS	INTEGRAL COMPONENTS SOLD SEPARATELY			
											CAVITY WITH A NUMBER INDICATES BLOCKED TERMINAL POSITION																				DRESS COVER			
											CAVITY WITHOUT A NUMBER INDICATES OPEN TERMINAL POSITION																							
MX123 CONN ASSY 73 CKT BLU OPTO KEY C/40	345665623	C-HSG-C0	G-CAP-0-P	TPA-C0	RS	LS	MAL	CPA	MSEAL	RSEAL	-	71	-	69	-	67	66	65	64	-	-	61	60	-	58	-	56	55	54	-	SALEABLE		345650003	
											-	-	50	49	-	-	46	45	-	43	-	41	-	-	38	-	-	35	-	-				
											-																		16	-				-
MX123 CONN ASSY 73 CKT GRY OPTO KEY B/19	345665633	C-HSG-B0	G-CAP-0-P	TPA-B0	RS	LS	MAL	CPA	MSEAL	RSEAL	-	71	70	69	68	67	66	65	64	63	-	-	60	59	58	57	56	55	54	53	SALEABLE		345650003	
											-	51	50	49	-	47	-	45	-	-	42	-	-	39	38	37	36	35	34	33				
											-																		32	31				-
MX123 CONN ASSY 73 CKT GRY OPTO KEY B/18	345665643	C-HSG-B0	G-CAP-0-P	TPA-B0	RS	LS	MAL	CPA	MSEAL	RSEAL	-	71	70	69	68	67	66	65	64	63	-	-	60	59	58	57	56	55	54	53	SALEABLE		345650003	
											-	51	50	49	-	47	-	45	44	-	42	-	-	39	38	37	36	35	34	33				
											-																		32	31				-
MX123 CONN ASSY 73 CKT BLK OPTO KEY A/52	345665653	C-HSG-A0	G-CAP-0-P	TPA-A0	RS	LS	MAL	CPA	MSEAL	RSEAL	-	-	-	-	-	67	-	-	-	-	62	-	-	59	58	-	-	55	-	-	SALEABLE		345650003	
											-	-	-	-	-	47	-	-	-	-	42	41	-	-	-	-	-	35	-	-				
											-																		16	-				-
MX123 CONN ASSY 73 CKT BLU OPTO KEY C/37	345665663	C-HSG-C0	G-CAP-0-P	TPA-C0	RS	LS	MAL	CPA	MSEAL	RSEAL	72	71	70	-	68	-	-	65	-	63	-	61	-	59	58	-	56	-	-	53	SALEABLE		345650003	
											-	-	-	49	-	47	-	-	-	43	-	41	40	39	38	-	36	-	-	-				
											-																		32	-				30
MX123 CONN ASSY 73 CKT BLU OPTO KEY C/35	345665673	C-HSG-C0	G-CAP-0-P	TPA-C0	RS	LS	MAL	CPA	MSEAL	RSEAL	72	71	70	-	68	-	-	65	-	63	62	-	-	59	58	-	56	55	-	53	SALEABLE		345650003	
											-	-	-	-	-	47	-	-	-	43	42	-	40	39	38	-	36	35	-	-				
											-																		32	-				30
MX123 CONN ASSY 73 CKT GRY OPTO KEY B/18	345665683	C-HSG-B0	G-CAP-0-P	TPA-B0	RS	LS	MAL	CPA	MSEAL	RSEAL	-	71	70	69	68	67	66	65	64	63	-	-	60	59	58	57	56	55	54	53	SALEABLE		345650003	
											-	51	50	49	-	47	-	45	-	-	42	-	-	39	38	37	36	35	34	33				
											-																		32	31				-
MX123 CONN ASSY 73 CKT BLK OPTO KEY A/53	345665693	C-HSG-A0	G-CAP-0-P	TPA-A0	RS	LS	MAL	CPA	MSEAL	RSEAL	-	-	-	-	-	67	-	-	-	-	62	-	-	59	58	-	-	55	-	-	SALEABLE		345650003	
											-	-	-	-	-	47	-	-	-	-	42	41	-	-	-	-	-	35	-	-				
											-																		16	-				-
MX123 CONN ASSY 73 CKT GRY OPTO KEY B/52	345665703	C-HSG-B0	G-CAP-0-P	TPA-B0	RS	LS	MAL	CPA	MSEAL	RSEAL	72	71	70	69	-	67	66	65	64	63	62	61	60	-	58	-	56	-	54	-	SALEABLE		345650003	
											52	51	50	-	-	47	-	45	44	43	42	41	40	-	38	-	36	-	34	-				
											-																		32	31				30
MX123 CONN ASSY 73 CKT BLU OPTO KEY C/40	345665713	C-HSG-C0	G-CAP-0-P	TPA-C0	RS	LS	MAL	CPA	MSEAL	RSEAL	72	71	70	-	68	-	-	65	-	63	-	61	-	59	58	-	56	-	-	53	SALEABLE		345650003	
											-	-	-	49	-	47	-	-	-	43	-	41	40	39	38	-	36	-	-	-				
											-																		32	-				30
MX123 CONN ASSY 73 CKT BLU OPTO KEY C/36	345665723	C-HSG-C0	G-CAP-0-P	TPA-C0	RS	LS	MAL	CPA	MSEAL	RSEAL	72	71	70	-	68	-	-	65	-	63	62	-	-	59	58	-	56	55	-	53	SALEABLE		345650003	
											-	-	-	-	-	47	-	-	-	43	42	-	40	39	38	-	36	35	-	-				
											-																		32	-				30
MX123 CONN ASSY 73 CKT BLK OPTO KEY A/36	345665733	C-HSG-A0	G-CAP-0-P	TPA-A0	RS	LS	MAL	CPA	MSEAL	RSEAL	72	-	-	-	68	67	66	65	-	-	62	61	-	-	-	-	-	-	-	SALEABLE		345650003		
											-	-	50	-	48	47	46	-	-	-	-	-	40	39	38	-	-	35	-				33	
											-																		32				-	31

ASSEMBLY DESCRIPTION	ASSEMBLY PART NUMBER	CONNECTOR HOUSING	GROMMET CAP	TPA	RIGHT SLIDE	LEFT SLIDE	MATE ASSIST LEVER	CPA	MAT SEAL	RING SEAL	BLOCKED TERMINALS																		STATUS	COMMENTS	INTEGRAL COMPONENTS SOLD SEPARATELY		
											CAVITY WITH A NUMBER INDICATES BLOCKED TERMINAL POSITION																				DRESS COVER		
											CAVITY WITHOUT A NUMBER INDICATES OPEN TERMINAL POSITION																						
MX123 CONN ASSY 73 CKT BLK OPTO KEY A/36	345665743	C-HSG-A0	G-CAP-0-P	TPA-A0	RS	LS	MAL	CPA	MSEAL	RSEAL	72	-	-	-	68	-	66	65	-	-	62	61	-	-	58	-	-	-	-	-	SALEABLE		345650003
											-	-	50	-	48	47	46	-	-	-	-	-	40	39	38	-	-	35	-	33			
											-																		31	-			
MX123 CONN ASSY 73 CKT BLK OPTO KEY A/39	345665753	C-HSG-A0	G-CAP-0-P	TPA-A0	RS	LS	MAL	CPA	MSEAL	RSEAL	72	-	-	-	68	67	66	65	-	-	62	61	-	-	58	-	-	-	-	-	SALEABLE		345650003
											-	-	50	-	48	47	46	-	-	-	-	-	40	39	38	-	-	35	-	33			
											-																		31	-			
MX123 CONN ASSY 73 CKT BLU OPTO KEY C/42	345665763	C-HSG-C0	G-CAP-0-P	TPA-C0	RS	LS	MAL	CPA	MSEAL	RSEAL	-	71	-	69	-	67	-	65	64	-	-	61	60	-	58	-	56	55	54	-	SALEABLE		345650003
											-	-	50	49	-	-	-	45	-	43	-	41	-	-	38	-	-	35	-	-			
											-																		31	-			
MX123 CONN ASSY 73 CKT BLU OPTO KEY C/41	345665773	C-HSG-C0	G-CAP-0-P	TPA-C0	RS	LS	MAL	CPA	MSEAL	RSEAL	-	71	-	69	-	67	66	65	64	-	-	61	60	-	-	56	55	54	-	SALEABLE		345650003	
											-	-	50	49	-	-	46	45	-	43	-	41	-	-	38	-	-	35	-				-
											-																		31				-
MX123 CONN ASSY 73 CKT BLU OPTO KEY C/38	345665783	C-HSG-C0	G-CAP-0-P	TPA-C0	RS	LS	MAL	CPA	MSEAL	RSEAL	-	71	-	69	-	67	66	65	64	-	-	61	60	-	58	-	56	55	54	-	SALEABLE		345650003
											-	-	50	49	-	-	46	45	-	43	-	41	-	-	38	-	-	35	-	-			
											-																		31	-			
MX123 CONN ASSY 73 CKT BLU OPTO KEY C/38	345665783	C-HSG-C0	G-CAP-0-P	TPA-C0	RS	LS	MAL	CPA	MSEAL	RSEAL	-	71	-	69	-	67	66	65	64	-	-	61	60	-	58	-	56	55	54	-	SALEABLE		345650003
											-	-	50	49	-	-	46	45	-	43	-	41	-	-	38	-	-	35	-	-			
											-																		31	-			
MX123 CONN ASSY 73 CKT BLK OPTO KEY B/34	345665793	C-HSG-B0	G-CAP-0-P	TPA-B0	RS	LS	MAL	CPA	MSEAL	RSEAL	-	71	-	69	-	67	-	65	64	63	62	61	-	-	58	57	56	-	-	-	SALEABLE		345650003
											-	51	-	49	-	47	-	45	44	43	42	41	-	-	38	37	36	-	-	-			
											-																		15	14			
MX123 CONN ASSY 73 CKT GRY OPTO KEY B/55	345665803	C-HSG-B0	G-CAP-0-P	TPA-B0	RS	LS	MAL	CPA	MSEAL	RSEAL	72	71	70	69	68	67	66	-	64	63	62	61	60	-	58	-	56	-	54	-	SALEABLE		345650003
											52	51	50	-	-	-	46	45	44	43	42	41	40	-	38	-	36	-	34	-			
											-																		32	31			
MX123 CONN ASSY 73 CKT GRY OPTO KEY B/38	345665813	C-HSG-B0	G-CAP-0-P	TPA-B0	RS	LS	MAL	CPA	MSEAL	RSEAL	-	71	-	69	-	67	-	65	64	63	62	61	-	-	58	57	56	-	-	-	SALEABLE		345650003
											-	51	-	49	-	47	-	45	44	43	42	41	-	-	38	37	36	-	-	-			
											-																		15	14			
MX123 CONN ASSY 73 CKT BLK OPTO KEY A/21	345665823	C-HSG-A0	G-CAP-0-P	TPA-A0	RS	LS	MAL	CPA	MSEAL	RSEAL	-	71	-	69	68	67	66	65	64	-	62	61	60	59	58	57	56	55	54	53	SALEABLE		345650003
											-	51	50	-	48	47	46	45	44	-	42	-	40	39	38	37	36	35	34	33			
											-																		32	-			
MX123 CONN ASSY 73 CKT BLK OPTO KEY A/22	345665833	C-HSG-A0	G-CAP-0-P	TPA-A0	RS	LS	MAL	CPA	MSEAL	RSEAL	-	71	-	69	68	67	66	65	64	-	62	61	60	59	58	57	56	55	54	53	SALEABLE		345650003
											-	51	50	-	48	47	46	45	44	-	42	-	40	39	38	37	36	35	34	33			
											-																		32	-			
MX123 CONN ASSY 73 CKT BLU OPTO KEY C/36	345665863	C-HSG-C0	G-CAP-0-P	TPA-C0	RS	LS	MAL	CPA	MSEAL	RSEAL	-	71	-	69	68	67	-	65	64	-	-	61	60	-	58	-	-	-	54	-	SALEABLE		345650003
											-	-	50	49	48	47	-	45	-	43	-	41	-	-	38	-	-	35	-	-			
											-																		31	-			
MX123 CONN ASSY 73 CKT GRY OPTO KEY B/20	345665873	C-HSG-B0	G-CAP-0-P	TPA-B0	RS	LS	MAL	CPA	MSEAL	RSEAL	-	71	70	69	68	67	66	65	64	63	-	-	60	59	58	57	56	55	54	53	SALEABLE		345650003
											-	51	50	49	-	-	-	45	-	-	42	-	-	39	38	37	36	35	34	33			
											-																		32	31			

ASSEMBLY DESCRIPTION	ASSEMBLY PART NUMBER	CONNECTOR HOUSING	GROMMET CAP	TPA	RIGHT SLIDE	LEFT SLIDE	MATE ASSIST LEVER	CPA	MAT SEAL	RING SEAL	BLOCKED TERMINALS																				STATUS	COMMENTS	INTEGRAL COMPONENTS SOLD SEPARATELY
											CAVITY WITH A NUMBER INDICATES BLOCKED TERMINAL POSITION																						DRESS COVER
											CAVITY WITHOUT A NUMBER INDICATES OPEN TERMINAL POSITION																						
MX123 CONN ASSY 73 CKT GRY OPTO KEY B/19	345665883	C-HSG-B0	G-CAP-0-P	TPA-B0	RS	LS	MAL	CPA	MSEAL	RSEAL	-	71	70	69	68	67	66	65	64	63	-	-	60	59	58	57	56	55	54	53	SALEABLE		345650003
											-	51	50	49	-	-	-	45	44	-	42	-	-	39	38	37	36	35	34	33			
															32	31	-	29	28	27	26	25	24	23	22	21	-	-	-	17			
MX123 CONN ASSY 73 CKT BLU OPTO KEY C/35	345665893	C-HSG-C0	G-CAP-0-P	TPA-C0	RS	LS	MAL	CPA	MSEAL	RSEAL	72	71	70	-	68	-	-	65	64	63	-	61	-	59	58	-	56	-	-	53	SALEABLE		345650003
											-	-	-	49	-	47	-	-	-	43	-	41	40	39	38	-	36	-	-	-			
															-	31	30	29	-	-	-	25	24	23	22	21	20	-	-	17			
MX123 CONN ASSY 73 CKT BLK OPTO KEY A/40	345665903	C-HSG-A0	G-CAP-0-P	TPA-A0	RS	LS	MAL	CPA	MSEAL	RSEAL	-	-	70	-	-	-	-	65	-	-	-	61	60	-	58	57	56	55	54	-	SALEABLE		345650003
											52	51	50	49	-	47	46	45	-	-	-	41	40	-	38	37	36	-	34	-			
															-	31	30	-	28	-	26	25	24	-	22	21	20	19	18	-			
MX123 CONN ASSY 73 CKT BLU OPTO KEY C/34	345665913	C-HSG-C0	G-CAP-0-P	TPA-C0	RS	LS	MAL	CPA	MSEAL	RSEAL	72	71	70	-	68	-	-	65	-	63	62	-	-	59	58	-	56	55	-	53	SALEABLE		345650003
											-	-	-	-	-	47	-	-	-	43	42	-	40	39	38	-	36	35	-	-			
															-	31	30	29	-	-	26	-	24	23	22	21	20	19	-	17			
MX123 CONN ASSY 73 CKT BLU OPTO KEY C/38	345665933	C-HSG-C0	G-CAP-0-P	TPA-C0	RS	LS	MAL	CPA	MSEAL	RSEAL	-	71	-	69	-	67	-	65	64	-	-	61	60	-	58	-	-	-	54	-	SALEABLE		345650003
											-	-	50	49	-	-	-	45	-	43	-	41	-	-	38	37	36	35	-	-			
															-	31	-	29	28	27	-	-	24	-	-	-	20	19	18	17			
MX123 CONN ASSY 73 CKT BLU OPTO KEY C/41	345665943	C-HSG-C0	G-CAP-0-P	TPA-C0	RS	LS	MAL	CPA	MSEAL	RSEAL	-	71	-	69	-	-	-	65	64	-	-	61	60	-	58	-	-	-	54	-	SALEABLE		345650003
											-	-	50	-	-	-	-	45	-	43	-	41	-	-	38	37	36	35	-	-			
															-	31	-	29	28	-	-	24	23	-	-	-	19	18	17				
MX123 CONN ASSY 73 CKT BLU OPTO KEY A/45	345665953	C-HSG-A0	G-CAP-0-P	TPA-A0	RS	LS	MAL	CPA	MSEAL	RSEAL	72	-	-	-	68	67	66	-	-	-	-	-	-	59	-	-	-	-	-	SALEABLE		345650003	
											-	-	50	-	-	-	46	-	-	-	-	-	40	39	38	-	-	35	-				33
															-	31	-	-	-	-	-	25	-	23	22	21	20	-	-				17
MX123 CONN ASSY 73 CKT GRY OPTO KEY B/51	345665963	C-HSG-B0	G-CAP-0-P	TPA-B0	RS	LS	MAL	CPA	MSEAL	RSEAL	-	-	-	69	-	-	-	65	64	63	-	-	-	-	-	-	-	-	-	SALEABLE		345650003	
											-	-	-	49	-	-	-	45	44	43	-	-	-	-	-	-	-	-	-				-
															-	-	-	-	-	-	-	-	23	22	21	20	19	-	17				
MX123 CONN ASSY 73 CKT BLU OPTO KEY C/41	345665973	C-HSG-C0	G-CAP-0-P	TPA-C0	RS	LS	MAL	CPA	MSEAL	RSEAL	-	71	-	69	-	-	-	65	64	-	-	61	60	-	58	-	-	-	54	-	SALEABLE		345650003
											-	-	50	49	-	-	-	45	-	43	-	41	-	-	38	37	36	35	-	-			
															-	31	-	29	28	-	-	24	23	-	-	20	-	-	17				
MX123 CONN ASSY 73 CKT BLU OPTO KEY C/36	345665983	C-HSG-C0	G-CAP-0-P	TPA-C0	RS	LS	MAL	CPA	MSEAL	RSEAL	72	71	70	-	68	-	-	65	-	63	-	61	-	59	58	-	56	-	-	53	SALEABLE		345650003
											-	-	-	49	-	47	-	-	-	43	-	41	40	39	38	-	36	-	-	-			
															-	31	30	29	-	-	-	25	24	23	22	21	20	-	-	17			
MX123 CONN ASSY 73 CKT BLK OPTO KEY A/61	345665993	C-HSG-A0	G-CAP-0-P	TPA-A0	RS	LS	MAL	CPA	MSEAL	RSEAL	72	-	-	-	68	-	-	-	64	-	-	-	-	59	-	-	-	-	-	SALEABLE		345650003	
											-	-	-	-	48	-	46	-	-	-	-	-	-	38	-	-	-	-	33				
															-	-	-	-	-	-	-	-	-	22	-	-	-	-	-				
MX123 CONN ASSY 73 CKT GRY OPTO KEY B/55	345666003	C-HSG-B0	G-CAP-0-P	TPA-B0	RS	LS	MAL	CPA	MSEAL	RSEAL	72	71	70	69	68	-	-	-	64	63	62	61	60	-	58	-	56	-	54	-	SALEABLE		345650003
											52	51	50	-	-	-	46	45	44	43	42	41	40	-	38	-	36	-	34	-			
															32	31	30	-	28	27	26	25	24	-	22	-	20	19	18	17			

ASSEMBLY DESCRIPTION	ASSEMBLY PART NUMBER	CONNECTOR HOUSING	GROMMET CAP	TPA	RIGHT SLIDE	LEFT SLIDE	MATE ASSIST LEVER	CPA	MAT SEAL	RING SEAL	BLOCKED TERMINALS																		STATUS	COMMENTS	INTEGRAL COMPONENTS SOLD SEPARATELY													
											CAVITY WITH A NUMBER INDICATES BLOCKED TERMINAL POSITION CAVITY WITHOUT A NUMBER INDICATES OPEN TERMINAL POSITION																				DRESS COVER													
MX123 CONN ASSY 73 CKT GRY OPTO KEY B/46	345666013	C-HSG-B0	G-CAP-0-P	TPA-B0	RS	LS	MAL	CPA	MSEAL	RSEAL	72	71	70	-	68	-	66	-	64	63	62	-	-	-	-	56	55	-	-															
											52	-	-	-	-	-	-	-	44	-	42	41	-	-	38	-	36	35	-	-														
																													-	19	-	17												
																													-	3	2	1												
MX123 CONN ASSY 73 CKT BLK OPTO KEY A/56	345666023	C-HSG-A0	G-CAP-0-P	TPA-A0	RS	LS	MAL	CPA	MSEAL	RSEAL	-	-	-	-	-	-	66	65	64	63	62	61	-	-	-	-	55	-	-															
											-	-	-	-	-	-	46	-	-	-	42	41	-	-	-	-	-	-	-	-														
																													-	18	-	-												
																													-	14	-	-	9	8	-	-	-	-	-	-	-	-	-	-
MX123 CONN ASSY 73 CKT BLK OPTO KEY A/39	345666033	C-HSG-A0	G-CAP-0-P	TPA-A0	RS	LS	MAL	CPA	MSEAL	RSEAL	72	71	-	-	68	67	66	65	64	-	-	-	60	59	-	-	-	-	-	-														
											-	-	50	-	48	47	46	45	-	-	-	-	40	39	38	-	-	35	-	33														
																													-	31	30	-	-	-	25	24	23	22	-	20	-	-	17	
																													-	14	-	-	-	9	8	7	6	-	4	-	2	1		
MX123 CONN ASSY 73 CKT GRY OPTO KEY B/23	345666043	C-HSG-B0	G-CAP-0-P	TPA-B0	RS	LS	MAL	CPA	MSEAL	RSEAL	72	71	70	69	-	-	-	-	63	62	61	60	59	-	57	56	-	54	53															
											52	51	50	49	48	47	-	-	44	43	42	41	40	39	-	37	36	-	34	33														
																													-	31	-	-	-	26	25	24	23	-	21	20	-	18	-	
																													-	15	14	13	12	11	-	9	8	7	6	5	4	3	2	-
MX123 CONN ASSY 73 CKT GRY OPTO KEY B/20	345666053	C-HSG-B0	G-CAP-0-P	TPA-B0	RS	LS	MAL	CPA	MSEAL	RSEAL	-	71	70	69	68	67	66	65	64	63	-	-	60	59	58	57	56	55	54	53														
											-	51	50	49	-	-	-	45	44	-	42	-	-	39	38	37	36	35	34	33														
																													32	31	-	29	28	27	26	25	24	23	22	21	-	-	-	17
																													-	-	-	13	12	11	10	9	8	7	6	5	-	3	-	1
MX123 CONN ASSY 73 CKT BLU OPTO KEY C/37	345666063	C-HSG-C0	G-CAP-0-P	TPA-C0	RS	LS	MAL	CPA	MSEAL	RSEAL	72	71	70	-	68	-	-	65	-	63	-	61	-	59	58	-	56	-	-	53														
											-	-	-	49	-	47	-	-	-	43	-	41	40	39	38	-	36	-	-	-														
																													-	31	30	29	-	-	-	25	24	23	22	21	20	-	-	-
																													-	-	-	-	-	-	-	8	7	6	5	4	3	2	1	
MX123 CONN ASSY 73 CKT BLU OPTO KEY C/35	345666073	C-HSG-C0	G-CAP-0-P	TPA-C0	RS	LS	MAL	CPA	MSEAL	RSEAL	72	71	70	-	68	-	-	65	-	63	62	-	-	59	58	-	56	55	-	53														
											-	-	-	-	-	47	-	-	-	43	42	-	40	39	38	-	36	35	-	-														
																													-	31	30	29	-	-	26	-	24	23	22	21	20	19	-	-
																													-	-	-	-	-	-	-	8	7	6	5	4	3	2	1	
MX123 CONN ASSY 73 CKT BLU OPTO KEY C/38	345666083	C-HSG-C0	G-CAP-0-P	TPA-C0	RS	LS	MAL	CPA	MSEAL	RSEAL	-	71	-	69	-	-	-	65	64	-	-	61	60	-	58	-	56	55	54	-														
											-	-	50	49	-	-	-	45	-	43	-	41	-	-	38	-	-	35	-	-														
																													-	31	-	29	28	27	-	-	24	23	-	-	20	19	18	17
																													16	-	-	13	12	11	-	-	8	7	-	-	-	3	-	1
MX123 CONN ASSY 73 CKT GRY OPTO KEY B/22	345666093	C-HSG-B0	G-CAP-0-P	TPA-B0	RS	LS	MAL	CPA	MSEAL	RSEAL	-	71	-	69	68	-	66	65	64	-	-	-	-	58	57	56	55	54	53															
											-	51	50	49	48	47	-	45	44	-	42	-	-	39	38	37	36	35	34	33														
																													32	31	30	29	28	-	26	25	24	23	22	21	-	-	-	17
																													-	15	-	13	12	-	10	9	8	7	6	5	-	3	2	1
MX123 CONN ASSY 73 CKT GRY OPTO KEY B/51	345666103	C-HSG-B0	G-CAP-0-P	TPA-B0	RS	LS	MAL	CPA	MSEAL	RSEAL	72	71	70	69	68	-	-	-	64	63	-	61	60	-	58	-	56	-	54	-														
											52	51	50	-	-	-	46	45	44	43	-	41	40	-	38	-	36	-	34	-														
																													32	31	30	-	28	27	-	25	24	-	22	-	20	19	18	17
																													16	15	14	13	12	11	10	-	8	-	6	5	4	3	2	1
MX123 CONN ASSY 73 CKT BLK OPTO KEY A/66	345666113	C-HSG-A0	G-CAP-0-P	TPA-A0	RS	LS	MAL	CPA	MSEAL	RSEAL	-	-	-	-	-	67	-	-	-	-	-	-	-	59	-	-	-	-	-															
											-	-	-	-	-	47	-	-	-	-	-	-	-	-	-	-	-	35	-	-														
																													-	-	-	-	-	-	-	-	24	-	-	-	-	-	-	17
																													-	-	-	-	-	-	-	-	-	-	-	-	-	-	-	1
MX123 CONN ASSY 73 CKT BLU OPTO KEY C/33	345666123	C-HSG-C0	G-CAP-0-P	TPA-C0	RS	LS	MAL	CPA	MSEAL	RSEAL	72	71	70	-	68	-	-	65	-	63	-	61	-	59	58	-	56	55	-	53														
											-	-	-	49	-	47	-	-	-	43	-	41	40	39	38	-	36	35	-	-														
																													32	31	30	29	-	-	-	25	24	23	22	21	20	19	18	17
																													-	-	-	-	-	-	-	-	-	-	6	5	4	3	2	1

ASSEMBLY DESCRIPTION	ASSEMBLY PART NUMBER	CONNECTOR HOUSING	GROMMET CAP	TPA	RIGHT SLIDE	LEFT SLIDE	MATE ASSIST LEVER	CPA	MAT SEAL	RING SEAL	BLOCKED TERMINALS																		STATUS	COMMENTS	INTEGRAL COMPONENTS SOLD SEPARATELY		
											CAVITY WITH A NUMBER INDICATES BLOCKED TERMINAL POSITION																				DRESS COVER		
											CAVITY WITHOUT A NUMBER INDICATES OPEN TERMINAL POSITION																						
MX123 CONN ASSY 73 CKT BLU OPT9 KEY C/38	345666133	C-HSG-C9	G-CAP-9-P	TPA-C9	RS	LS	MAL	CPA	MSEAL	RSEAL	-	71	-	69	-	-	66	65	64	-	-	61	60	-	58	-	56	55	54	-	SALEABLE		345650003
											-	-	50	49	-	-	46	45	-	43	-	41	-	-	-	-	35	-	-				
											-																		16	-			
MX123 CONN ASSY 73 CKT GRY OPT9 KEY B/33	345666173	C-HSG-B9	G-CAP-9-P	TPA-B9	RS	LS	MAL	CPA	MSEAL	RSEAL	72	71	70	69	68	-	-	65	64	63	62	61	60	59	58	57	56	55	54	53	SALEABLE		345650003
											52	51	50	49	-	-	46	45	44	43	42	-	40	39	38	37	36	35	34	33			
											-																		-	-			
MX123 CONN ASSY 73 CKT BLK OPT9 KEY A/32	345666183	C-HSG-A9	G-CAP-9-P	TPA-A9	RS	LS	MAL	CPA	MSEAL	RSEAL	72	71	70	69	68	67	-	65	64	63	62	61	60	59	58	57	56	55	54	53	SALEABLE		345650003
											52	51	50	49	-	-	46	45	44	43	42	-	40	39	38	37	36	35	34	33			
											-																		-	-			
MX123 CONN ASSY 73 CKT GRY OPT9 KEY B/57	345666193	C-HSG-B9	G-CAP-9-P	TPA-B9	RS	LS	MAL	CPA	MSEAL	RSEAL	-	-	-	-	-	-	-	-	-	63	-	-	-	-	-	-	-	-	-	53	SALEABLE		345650003
											-	-	-	-	48	47	-	45	-	43	42	-	-	39	-	-	-	35	34	33			
											-																		-	-			
MX123 CONN ASSY 73 CKT BLK OPT0 KEY A/33	345666203	C-HSG-A0	G-CAP-0-P	TPA-A0	RS	LS	MAL	CPA	MSEAL	RSEAL	72	-	-	-	-	67	66	-	-	-	62	-	60	-	58	-	-	55	54	53	SALEABLE		345650003
											-	-	-	-	48	-	46	45	44	43	42	-	40	39	-	-	-	35	-	-			
											-																		-	-			
MX123 CONN ASSY 73 CKT BLK OPT9 KEY A/33	345666213	C-HSG-A9	G-CAP-9-P	TPA-A9	RS	LS	MAL	CPA	MSEAL	RSEAL	72	71	70	69	68	-	-	65	64	63	62	61	60	59	58	57	56	55	54	53	SALEABLE		345650003
											52	51	50	49	-	-	46	45	44	43	42	-	40	39	38	37	36	35	34	33			
											-																		-	-			
MX123 CONN ASSY 73 CKT BLU OPT9 KEY C/36	345666223	C-HSG-C9	G-CAP-9-P	TPA-C9	RS	LS	MAL	CPA	MSEAL	RSEAL	-	71	-	69	-	67	-	65	64	-	-	61	60	-	58	-	56	55	54	-	SALEABLE		345650003
											-	-	50	49	-	-	45	-	43	42	41	-	-	38	37	36	35	-	-				
											-																		16	-			
MX123 CONN ASSY 73 CKT GRY OPT9 KEY B/34	345666233	C-HSG-B9	G-CAP-9-P	TPA-B9	RS	LS	MAL	CPA	MSEAL	RSEAL	-	71	-	69	-	67	-	65	64	63	62	61	-	-	58	57	56	-	-	-	SALEABLE		345650003
											-	51	-	49	-	47	-	45	44	43	42	41	-	-	38	37	36	-	-	-			
											-																		-	15			
MX123 CONN ASSY 73 CKT BLK OPT9 KEY A/39	345666243	C-HSG-A9	G-CAP-9-P	TPA-A9	RS	LS	MAL	CPA	MSEAL	RSEAL	72	-	-	-	68	67	66	65	-	-	62	61	-	-	-	-	-	-	-	SALEABLE		345650003	
											-	-	-	-	48	47	46	-	-	-	-	40	-	38	-	-	35	-	33				
											-																		-				31
MX123 CONN ASSY 73 CKT BLU OPT9 KEY C/43	345666253	C-HSG-C9	G-CAP-9-P	TPA-C9	RS	LS	MAL	CPA	MSEAL	RSEAL	-	71	-	69	-	-	-	65	64	-	-	61	60	-	58	-	56	55	54	-	SALEABLE		345650003
											-	-	50	-	-	-	45	-	43	42	41	-	-	38	-	-	35	-	-				
											-																		16	-			
MX123 CONN ASSY 73 CKT GRY OPT9 KEY B/53	345666263	C-HSG-B9	G-CAP-9-P	TPA-B9	RS	LS	MAL	CPA	MSEAL	RSEAL	-	-	-	69	-	-	-	65	64	63	-	-	-	-	-	-	-	-	-	SALEABLE		345650003	
											-	-	-	49	-	-	-	45	44	43	-	-	-	-	-	-	-	-	-				-
											-																		-				-
MX123 CONN ASSY 73 CKT GRY OPT9 KEY B/48	345666273	C-HSG-B9	G-CAP-9-P	TPA-B9	RS	LS	MAL	CPA	MSEAL	RSEAL	72	-	-	-	68	67	66	-	-	-	-	-	-	59	-	-	-	-	-	SALEABLE		345650003	
											-	-	-	-	-	-	46	-	-	-	-	-	40	-	38	-	-	35	-				33
											-																		-				31

ASSEMBLY DESCRIPTION	ASSEMBLY PART NUMBER	CONNECTOR HOUSING	GROMMET CAP	TPA	RIGHT SLIDE	LEFT SLIDE	MATE ASSIST LEVER	CPA	MAT SEAL	RING SEAL	BLOCKED TERMINALS																		STATUS	COMMENTS	INTEGRAL COMPONENTS SOLD SEPARATELY
											CAVITY WITH A NUMBER INDICATES BLOCKED TERMINAL POSITION																				DRESS COVER
											CAVITY WITHOUT A NUMBER INDICATES OPEN TERMINAL POSITION																				
MX123 CONN ASSY 73 CKT BLU OPT9 KEY C/35	345666283	C-HSG-C9	G-CAP-9-P	TPA-C9	RS	LS	MAL	CPA	MSEAL	RSEAL	-	71	-	69	-	-	-	65	64	-	-	61	60	-	58	-	56	55	54	-	
											-	-	50	49	-	-	-	45	-	43	42	41	-	-	38	37	36	35	-	-	
															-	31	-	29	28	-	-	-	24	23	-	-	20	19	18	17	
											-	16	-	-	13	12	11	-	-	8	7	-	-	-	3	2	1				
MX123 CONN ASSY 73 CKT GRY OPT9 KEY B/51	345666293	C-HSG-B9	G-CAP-9-P	TPA-B9	RS	LS	MAL	CPA	MSEAL	RSEAL	-	-	-	69	-	-	-	65	64	63	-	-	-	-	-	-	-	-	-		
											-	-	-	49	-	-	-	45	44	43	-	-	-	-	-	-	-	-	-		
															-	-	-	-	-	-	-	-	23	22	21	20	19	18	-		
											-	-	-	-	12	11	-	9	-	7	6	5	4	3	-	-					
MX123 CONN ASSY 73 CKT BLK OPT0 KEY A/32	345666303	C-HSG-A0	G-CAP-0-P	TPA-A0	RS	LS	MAL	CPA	MSEAL	RSEAL	72	-	-	-	-	67	66	-	-	-	62	-	60	-	58	-	-	55	54	53	
											-	-	-	-	48	-	46	45	44	43	42	-	40	39	-	-	-	35	-	-	
															-	-	-	-	-	-	26	25	-	-	22	21	-	-	-	17	
											-	15	14	-	-	-	-	-	8	7	6	5	4	3	-	-					
MX123 CONN ASSY 73 CKT GRY OPT9 KEY B/40	345666313	C-HSG-B9	G-CAP-9-P	TPA-B9	RS	LS	MAL	CPA	MSEAL	RSEAL	72	71	-	-	68	67	66	65	64	-	-	-	-	59	-	-	-	-	-		
											-	-	-	-	48	47	46	45	-	-	-	-	40	-	38	-	-	35	-	33	
															-	31	30	-	-	-	-	25	24	23	22	21	20	-	-	17	
											-	-	-	-	-	-	-	9	8	7	6	5	4	-	2	1					
MX123 CONN ASSY 73 CKT GRY OPT9 KEY B/39	345666323	C-HSG-B9	G-CAP-9-P	TPA-B9	RS	LS	MAL	CPA	MSEAL	RSEAL	72	-	-	-	68	67	66	65	-	-	62	61	-	-	-	-	-	-			
											-	-	-	-	48	47	46	-	-	-	-	40	-	38	-	-	35	-	33		
															-	31	-	29	-	27	-	25	24	23	22	21	20	-	-	17	
											-	-	-	13	-	11	-	9	8	7	6	5	4	-	2	1					
MX123 CONN ASSY 73 CKT BLU OPT9 KEY C/40	345666333	C-HSG-C9	G-CAP-9-P	TPA-C9	RS	LS	MAL	CPA	MSEAL	RSEAL	-	71	-	69	-	-	-	65	64	-	-	61	60	-	58	-	-	-	54	-	
											-	-	50	49	-	-	-	45	-	43	42	41	-	-	38	37	36	35	-	-	
															-	31	-	29	28	-	-	-	24	23	-	-	20	-	-	17	
											-	16	-	-	13	12	11	-	-	8	7	-	-	-	-	2	1				
MX123 CONN ASSY 73 CKT BLK OPT9 KEY A/44	345666343	C-HSG-A9	G-CAP-9-P	TPA-A9	RS	LS	MAL	CPA	MSEAL	RSEAL	72	71	-	-	68	67	66	65	64	-	-	-	-	59	-	-	-	-	-		
											-	-	-	-	48	47	46	45	-	-	-	-	-	38	-	-	35	-	33		
															-	31	30	-	-	-	-	25	24	23	22	21	20	-	-	-	
											-	-	-	-	-	-	-	9	8	7	6	5	4	-	-	-					
MX123 CONN ASSY 73 CKT BLU OPT9 KEY C/43	345666353	C-HSG-C9	G-CAP-9-P	TPA-C9	RS	LS	MAL	CPA	MSEAL	RSEAL	-	71	-	69	-	67	-	65	64	-	-	61	60	-	-	-	-	54	-		
											-	-	50	49	-	-	-	45	-	43	42	41	-	-	38	37	36	35	-	-	
															-	31	-	29	28	-	-	-	24	-	-	-	-	19	18	-	
											-	16	-	-	-	12	11	-	-	8	-	-	-	-	3	2	-				
MX123 CONN ASSY 73 CKT GRY OPT9 KEY B/38	345666363	C-HSG-B9	G-CAP-9-P	TPA-B9	RS	LS	MAL	CPA	MSEAL	RSEAL	-	71	-	69	-	67	-	65	64	63	62	61	-	-	58	57	56	-	-	-	
											-	51	-	49	-	47	-	45	44	43	42	41	-	-	38	37	36	-	-	-	
															-	-	-	-	-	-	-	-	-	22	21	20	-	-	-		
											-	15	14	13	12	11	-	9	-	-	6	5	4	3	-	-					
MX123 CONN ASSY 73 CKT BLK OPT9 KEY A/50	345666373	C-HSG-A9	G-CAP-9-P	TPA-A9	RS	LS	MAL	CPA	MSEAL	RSEAL	-	-	-	-	68	-	66	65	-	-	62	61	-	-	-	-	-	-			
											-	-	-	-	48	-	46	-	-	-	-	-	-	38	-	-	35	-	33		
															-	31	-	29	-	27	-	25	24	-	22	-	20	-	-	-	
											-	-	-	13	-	11	-	9	-	7	6	-	4	-	-	-					
MX123 CONN ASSY 73 CKT BLK OPT9 KEY A/52	345666383	C-HSG-A9	G-CAP-9-P	TPA-A9	RS	LS	MAL	CPA	MSEAL	RSEAL	-	-	-	-	-	67	-	-	-	-	62	-	-	59	58	-	-	55	-	-	
											-	-	-	-	-	47	-	-	-	-	-	-	-	-	-	-	35	-	-		
															-	-	-	-	-	27	26	25	24	-	-	-	20	19	18	17	
											-	16	-	-	-	-	11	10	-	8	-	-	-	4	3	-	-				
MX123 CONN ASSY 73 CKT BLU OPT9 KEY C/47	345666393	C-HSG-C9	G-CAP-9-P	TPA-C9	RS	LS	MAL	CPA	MSEAL	RSEAL	72	-	-	-	68	-	-	-	-	63	-	-	-	59	-	-	56	-	-	53	
											-	-	-	-	-	-	-	-	-	43	-	-	40	39	-	-	36	-	-	-	
															-	31	30	29	-	-	-	-	24	23	22	21	20	-	-	-	
											-	-	-	-	-	-	-	-	8	7	6	5	4	3	2	1					

ASSEMBLY DESCRIPTION	ASSEMBLY PART NUMBER	CONNECTOR HOUSING	GROMMET CAP	TPA	RIGHT SLIDE	LEFT SLIDE	MATE ASSIST LEVER	CPA	MAT SEAL	RING SEAL	BLOCKED TERMINALS																				STATUS	COMMENTS	INTEGRAL COMPONENTS SOLD SEPARATELY
											CAVITY WITH A NUMBER INDICATES BLOCKED TERMINAL POSITION																						DRESS COVER
											CAVITY WITHOUT A NUMBER INDICATES OPEN TERMINAL POSITION																						
MX123 CONN ASSY 73 CKT BLK OPT0 KEY A/34	345666403	C-HSG-A0	G-CAP-0-P	TPA-A0	RS	LS	MAL	CPA	MSEAL	RSEAL	72	-	70	-	-	67	66	-	-	-	62	-	60	-	-	57	-	55	54	53	SALEABLE		345650003
											-	51	-	-	48	-	46	45	44	43	42	-	40	39	-	-	-	35	-	-			
																					-	-	-	-	-	26	25	-	-	22			
MX123 CONN ASSY 73 CKT GRY OPT9 KEY B/35	345666413	C-HSG-B9	G-CAP-9-P	TPA-B9	RS	LS	MAL	CPA	MSEAL	RSEAL	-	71	70	69	-	-	66	65	64	-	-	-	-	-	58	57	56	-	54	53	SALEABLE		345650003
											-	51	50	49	-	-	-	45	-	-	42	-	-	39	-	-	-	-	34	33			
																					32	31	-	29	28	-	26	25	24	23			
MX123 CONN ASSY 73 CKT BLU OPT9 KEY C/41	345666423	C-HSG-C9	G-CAP-9-P	TPA-C9	RS	LS	MAL	CPA	MSEAL	RSEAL	-	-	-	-	68	-	-	-	-	63	62	61	60	59	58	57	-	55	-	53	SALEABLE		345650003
											-	-	-	-	48	-	-	-	-	43	42	41	40	-	-	37	36	35	-	33			
																					32	-	-	-	-	27	-	-	24	-			
MX123 CONN ASSY 73 CKT BLK OPT9 KEY A/36	345666433	C-HSG-A9	G-CAP-9-P	TPA-A9	RS	LS	MAL	CPA	MSEAL	RSEAL	-	71	-	69	68	-	66	65	64	-	62	61	-	-	-	-	-	54	53	SALEABLE		345650003	
											-	-	50	49	-	-	-	45	44	-	-	41	-	-	-	-	-	-	34				33
																					32	31	30	29	-	-	26	25	24				23
MX123 CONN ASSY 73 CKT GRY OPT9 KEY B/64	345666443	C-HSG-B9	G-CAP-9-P	TPA-B9	RS	LS	MAL	CPA	MSEAL	RSEAL	-	-	-	-	-	-	-	-	-	-	62	-	-	59	58	-	-	-	54	53	SALEABLE		345650003
											-	-	-	-	-	-	-	-	-	-	42	-	-	39	-	-	-	-	-	-			
																					-	-	-	-	-	27	-	-	-	-			
MX123 CONN ASSY 73 CKT BLU OPT0 KEY C/43	345666453	C-HSG-C0	G-CAP-0-P	TPA-C0	RS	LS	MAL	CPA	MSEAL	RSEAL	72	-	-	-	68	-	66	-	-	63	-	-	-	59	58	-	56	55	-	53	SALEABLE		345650003
											-	-	-	-	-	-	-	-	-	43	-	-	40	39	38	-	36	35	-	-			
																					-	31	30	29	-	-	-	24	23	22			
MX123 CONN ASSY 73 CKT GRY OPT0 KEY B/23	345666463	C-HSG-B0	G-CAP-0-P	TPA-B0	RS	LS	MAL	CPA	MSEAL	RSEAL	-	71	70	69	-	-	66	65	64	63	-	-	60	59	58	57	56	-	54	53	SALEABLE		345650003
											-	51	50	49	-	-	-	45	44	-	42	41	-	39	38	37	36	35	34	33			
																					32	31	-	29	28	27	26	25	24	23			
MX123 CONN ASSY 73 CKT BLU OPT9 KEY C/40	345666473	C-HSG-C9	G-CAP-9-P	TPA-C9	RS	LS	MAL	CPA	MSEAL	RSEAL	72	71	-	-	68	-	-	65	-	63	-	61	-	59	58	-	56	-	-	53	SALEABLE		345650003
											-	-	-	49	-	47	-	-	-	43	-	41	40	39	38	-	36	-	-	-			
																					-	31	30	29	-	-	-	25	24	23			
MX123 CONN ASSY 73 CKT BLK OPT9 KEY A/52	345666483	C-HSG-A9	G-CAP-9-P	TPA-A9	RS	LS	MAL	CPA	MSEAL	RSEAL	-	-	-	-	-	67	-	-	-	-	62	-	-	59	58	-	-	55	-	-	SALEABLE		345650003
											-	-	-	-	-	47	-	-	-	-	42	41	-	-	-	-	-	35	-	-			
																					-	-	-	-	-	27	-	-	24	-			
MX123 CONN ASSY 73 CKT GRY OPT9 KEY B/22	345666493	C-HSG-B9	G-CAP-9-P	TPA-B9	RS	LS	MAL	CPA	MSEAL	RSEAL	-	71	-	69	68	67	66	65	64	63	-	-	60	59	58	57	56	-	54	53	SALEABLE		345650003
											-	51	50	49	-	-	-	45	44	-	42	-	-	39	38	37	36	35	34	33			
																					32	31	-	29	28	27	26	25	24	23			
MX123 CONN ASSY 73 CKT BLK OPT0 KEY A/33	345666503	C-HSG-A0	G-CAP-0-P	TPA-A0	RS	LS	MAL	CPA	MSEAL	RSEAL	72	-	70	-	-	67	66	-	-	-	62	-	60	-	-	57	-	55	54	53	SALEABLE		345650003
											-	51	-	-	48	-	46	45	44	43	42	-	40	39	-	-	-	35	-	-			
																					-	-	-	-	-	-	26	25	-	-			
MX123 CONN ASSY 73 CKT GRY OPT0 KEY B/23	345666513	C-HSG-B0	G-CAP-0-P	TPA-B0	RS	LS	MAL	CPA	MSEAL	RSEAL	-	71	70	69	-	-	66	65	64	63	-	-	60	59	58	57	56	-	-	53	SALEABLE		345650003
											-	51	50	49	48	47	-	45	44	-	42	41	-	39	38	37	36	35	34	33			
																					32	31	30	29	28	27	26	25	24	23			

ASSEMBLY DESCRIPTION	ASSEMBLY PART NUMBER	CONNECTOR HOUSING	GROMMET CAP	TPA	RIGHT SLIDE	LEFT SLIDE	MATE ASSIST LEVER	CPA	MAT SEAL	RING SEAL	BLOCKED TERMINALS																				STATUS	COMMENTS	INTEGRAL COMPONENTS SOLD SEPARATELY
											CAVITY WITH A NUMBER INDICATES BLOCKED TERMINAL POSITION																						DRESS COVER
											CAVITY WITHOUT A NUMBER INDICATES OPEN TERMINAL POSITION																						
MX123 CONN ASSY 73 CKT GRY OPT0 KEY B/25	345666523	C-HSG-B0	G-CAP-0-P	TPA-B0	RS	LS	MAL	CPA	MSEAL	RSEAL	72	71	70	69	-	-	66	65	-	63	62	61	60	-	-	57	56	55	-	53	SALEABLE		345650003
											52	51	50	49	48	47	-	-	44	43	42	41	40	-	-	37	36	35	34	33			
															-	31	-	-	-	-	26	25	24	-	-	21	20	19	18	-			
															16	-	14	-	12	-	-	9	8	7	-	5	4	3	2	-			
MX123 CONN ASSY 73 CKT GRY OPT9 KEY B/15	345666533	C-HSG-B9	G-CAP-9-P	TPA-B9	RS	LS	MAL	CPA	MSEAL	RSEAL	72	71	70	69	-	-	66	65	-	63	62	61	60	59	58	57	56	55	54	53	SALEABLE		345650003
											52	51	50	49	48	47	-	-	44	43	42	41	40	39	38	37	36	35	34	33			
															-	31	-	-	-	-	26	25	24	23	22	21	20	19	18	-			
															16	15	14	13	12	11	-	9	8	-	6	5	4	3	2	-			
MX123 CONN ASSY 73 CKT BLK OPT9 KEY A/53	345666543	C-HSG-A9	G-CAP-9-P	TPA-A9	RS	LS	MAL	CPA	MSEAL	RSEAL	-	-	-	-	-	67	-	-	-	-	62	-	-	59	58	-	-	55	-	-	SALEABLE		345650003
											-	-	-	-	-	47	-	-	-	-	42	41	-	-	-	-	35	-	-				
															-	-	-	-	-	27	-	-	24	-	-	-	-	19	18	17			
															16	-	-	-	-	11	10	-	8	-	-	-	-	3	-	1			
MX123 CONN ASSY 73 CKT BLK OPT9 KEY A/46	345666553	C-HSG-A9	G-CAP-9-P	TPA-A9	RS	LS	MAL	CPA	MSEAL	RSEAL	-	-	-	-	68	-	66	65	-	-	62	61	-	-	-	-	-	-	-	SALEABLE		345650003	
											-	-	-	-	48	-	46	-	-	-	-	-	-	38	-	-	35	-	33				
															-	31	-	29	-	27	-	25	24	23	22	21	20	-	-				-
															16	-	-	13	12	11	-	9	-	7	6	-	4	-	-				-
MX123 CONN ASSY 73 CKT BLU OPT9 KEY C/41	345666563	C-HSG-C9	G-CAP-9-P	TPA-C9	RS	LS	MAL	CPA	MSEAL	RSEAL	-	71	-	69	-	67	-	65	64	-	-	61	60	-	-	-	56	55	54	-	SALEABLE		345650003
											-	-	50	49	-	-	-	45	-	43	42	41	-	-	38	37	36	35	-	-			
															-	31	-	29	28	-	-	-	24	-	-	-	-	19	18	-			
															16	-	-	-	12	11	-	-	8	-	-	-	-	3	2	-			
MX123 CONN ASSY 73 CKT BLK OPT9 KEY A/47	345666573	C-HSG-A9	G-CAP-9-P	TPA-A9	RS	LS	MAL	CPA	MSEAL	RSEAL	-	-	-	-	68	-	66	65	-	-	62	61	-	-	-	-	-	-	-	SALEABLE		345650003	
											-	-	-	-	48	-	46	-	-	-	-	-	-	38	-	-	35	-	33				
															-	31	-	29	-	27	-	25	24	-	22	-	20	-	-				17
															-	-	-	13	-	11	-	9	-	7	6	-	4	-	2				1
MX123 CONN ASSY 73 CKT BLK OPT9 KEY A/41	345666583	C-HSG-A9	G-CAP-9-P	TPA-A9	RS	LS	MAL	CPA	MSEAL	RSEAL	72	71	-	-	68	67	66	65	64	-	-	-	-	59	-	-	-	-	-	-	SALEABLE		345650003
											-	-	-	-	48	47	46	45	-	-	-	-	-	38	-	-	35	-	33				
															-	31	30	-	-	-	-	25	24	23	22	21	20	-	-	17			
															-	-	-	-	-	-	-	9	8	7	6	5	4	-	2	1			
MX123 CONN ASSY 73 CKT BLU OPT0 KEY C/37	345666593	C-HSG-C0	G-CAP-0-P	TPA-C0	RS	LS	MAL	CPA	MSEAL	RSEAL	72	71	70	-	68	-	66	65	-	63	-	61	-	59	58	-	56	-	-	53	SALEABLE		345650003
											-	-	-	49	-	47	-	-	-	43	-	41	40	39	38	-	36	-	-				
															-	31	30	29	-	-	-	25	24	23	22	21	-	-	-				
															-	-	-	-	-	-	-	-	8	7	6	5	4	3	2	1			
MX123 CONN ASSY 73 CKT BLK OPT0 KEY A/50	345666613	C-HSG-A0	G-CAP-0-P	TPA-A0	RS	LS	MAL	CPA	MSEAL	RSEAL	-	-	-	-	68	67	-	65	-	-	62	-	-	59	58	-	-	55	-	-	SALEABLE		345650003
											-	-	-	-	48	47	-	-	-	42	41	-	-	-	-	35	-	-					
															-	-	-	-	-	27	-	-	24	-	-	20	19	18	17				
															-	-	-	-	-	11	10	-	8	-	-	-	4	3	-	-			
MX123 CONN ASSY 73 CKT GRY OPT9 KEY B/25	345666623	C-HSG-B9	G-CAP-9-P	TPA-B9	RS	LS	MAL	CPA	MSEAL	RSEAL	72	71	70	69	-	-	66	65	-	63	62	61	60	-	-	57	56	55	-	53	SALEABLE		345650003
											52	51	50	49	48	47	-	-	44	43	42	41	40	-	-	37	36	35	34	33			
															-	31	-	-	-	-	26	25	24	-	-	21	20	19	18	-			
															16	-	14	-	12	-	-	9	8	7	-	5	4	3	2	-			
MX123 CONN ASSY 73 CKT BLU OPT9 KEY C/33	345666633	C-HSG-C9	G-CAP-9-P	TPA-C9	RS	LS	MAL	CPA	MSEAL	RSEAL	72	71	70	-	68	-	-	65	-	63	-	61	-	59	58	-	56	55	-	53	SALEABLE		345650003
											-	-	-	49	-	47	-	-	-	43	-	41	40	39	38	-	36	35	-	-			
															32	31	30	29	-	-	-	25	24	23	22	21	20	19	18	17			
															-	-	-	-	-	-	-	-	-	-	6	5	4	3	2	1			
MX123 CONN ASSY 73 CKT BLU OPT9 KEY C/37	345666643	C-HSG-C9	G-CAP-9-P	TPA-C9	RS	LS	MAL	CPA	MSEAL	RSEAL	72	-	70	69	-	-	66	-	-	-	62	-	-	59	-	-	56	55	-	53	SALEABLE		345650003
											-	-	-	49	-	47	46	-	44	-	42	-	40	39	-	-	36	35	-	-			
															32	31	30	29	-	-	26	-	24	23	22	21	20	19	-	17			
															-	-	-	-	-	-	-	-	-	-	6	5	4	3	2	1			

ASSEMBLY DESCRIPTION	ASSEMBLY PART NUMBER	CONNECTOR HOUSING	GROMMET CAP	TPA	RIGHT SLIDE	LEFT SLIDE	MATE ASSIST LEVER	CPA	MAT SEAL	RING SEAL	BLOCKED TERMINALS																				STATUS	COMMENTS	INTEGRAL COMPONENTS SOLD SEPARATELY
											CAVITY WITH A NUMBER INDICATES BLOCKED TERMINAL POSITION																						DRESS COVER
											CAVITY WITHOUT A NUMBER INDICATES OPEN TERMINAL POSITION																						
MX123 CONN ASSY 73 CKT GRY OPT9 KEY B/30	345666653	C-HSG-B9	G-CAP-9-P	TPA-B9	RS	LS	MAL	CPA	MSEAL	RSEAL	-	71	70	69	-	67	66	65	64	63	-	-	-	-	58	57	56	-	54	53	SALEABLE		345650003
											-	51	50	49	-	-	-	45	-	-	42	-	-	39	-	-	-	-	34	33			
															32	31	-	29	28	27	26	25	24	23	22	21	-	-	-	17			
MX123 CONN ASSY 73 CKT BLK OPT9 KEY A/51	345666663	C-HSG-A9	G-CAP-9-P	TPA-A9	RS	LS	MAL	CPA	MSEAL	RSEAL	-	-	-	-	-	67	-	-	-	-	62	61	-	59	58	-	-	55	-	53	SALEABLE		345650003
											-	-	-	-	-	47	-	-	-	-	41	-	-	-	-	-	35	-	33				
															-	-	-	-	-	27	-	-	24	-	-	-	-	19	18	17			
MX123 CONN ASSY 73 CKT GRY OPT9 KEY B/65	345666673	C-HSG-B9	G-CAP-9-P	TPA-B9	RS	LS	MAL	CPA	MSEAL	RSEAL	-	-	-	-	-	-	-	-	-	-	62	-	-	-	58	-	-	-	54	53	SALEABLE		345650003
											-	-	-	-	-	-	-	-	-	-	42	-	-	-	-	-	-	-	-				
															-	-	-	-	-	27	-	25	-	-	-	-	-	-	-				
MX123 CONN ASSY 73 CKT BLK OPT9 KEY A/37	345666683	C-HSG-A9	G-CAP-9-P	TPA-A9	RS	LS	MAL	CPA	MSEAL	RSEAL	-	71	-	69	68	-	66	65	64	-	62	61	-	-	-	-	56	55	54	53	SALEABLE		345650003
											-	51	50	49	-	-	-	45	44	-	-	41	-	-	-	-	36	35	34	33			
															-	-	-	-	-	-	26	25	24	23	-	-	20	19	18	17			
MX123 CONN ASSY 73 CKT BLU OPT9 KEY C/43	345666693	C-HSG-C9	G-CAP-9-P	TPA-C9	RS	LS	MAL	CPA	MSEAL	RSEAL	-	-	-	-	68	-	-	-	-	63	62	61	60	59	58	57	-	55	-	53	SALEABLE		345650003
											-	-	-	-	48	-	-	-	-	43	42	41	40	-	-	37	36	35	-	33			
															32	-	-	-	-	27	-	-	-	-	-	20	19	18	-				
MX123 CONN ASSY 73 CKT BLK OPT9 KEY A/54	345666713	C-HSG-A9	G-CAP-9-P	TPA-A9	RS	LS	MAL	CPA	MSEAL	RSEAL	-	-	-	-	-	67	-	-	-	-	62	-	-	59	58	-	-	55	-	-	SALEABLE		345650003
											-	-	-	-	-	47	-	-	-	-	-	-	-	-	-	-	35	-	-				
															-	-	-	-	-	27	-	-	24	-	-	20	19	18	17				
MX123 CONN ASSY 73 CKT BLU OPT9 KEY C/35	345666743	C-HSG-C9	G-CAP-9-P	TPA-C9	RS	LS	MAL	CPA	MSEAL	RSEAL	72	-	70	-	-	-	66	-	-	-	62	-	-	59	58	-	56	55	54	53	SALEABLE		345650003
											-	-	-	49	-	47	-	-	44	-	42	-	40	39	38	-	36	35	-	-			
															32	31	30	29	-	-	26	-	24	23	22	21	20	19	18	17			
MX123 CONN ASSY 73 CKT BLK OPT9 KEY A/49	345666753	C-HSG-A9	G-CAP-9-P	TPA-A9	RS	LS	MAL	CPA	MSEAL	RSEAL	-	-	-	-	-	67	-	-	-	63	62	-	-	59	58	-	-	55	-	-	SALEABLE		345650003
											-	-	-	-	-	47	-	-	-	-	41	-	-	-	-	-	35	-	-				
															32	-	-	-	-	27	26	25	24	-	-	-	-	19	18	17			
MX123 CONN ASSY 73 CKT GRY OPT9 KEY B/26	345666763	C-HSG-B9	G-CAP-9-P	TPA-B9	RS	LS	MAL	CPA	MSEAL	RSEAL	-	71	70	69	-	67	66	65	64	63	-	-	60	59	58	57	56	-	54	53	SALEABLE		345650003
											-	51	-	-	48	47	-	-	44	-	42	41	-	39	38	37	36	35	-	33			
															32	31	30	-	28	27	26	25	24	23	-	-	-	-	-	17			
MX123 CONN ASSY 73 CKT BLU OPT0 KEY C/40	345666773	C-HSG-C0	G-CAP-0-P	TPA-C0	RS	LS	MAL	CPA	MSEAL	RSEAL	-	71	-	69	-	67	-	65	64	-	-	61	60	-	-	-	56	55	54	-	SALEABLE		345650003
											-	-	50	-	-	-	-	45	-	43	-	41	-	-	38	37	36	35	-	-			
															-	31	-	29	28	27	-	-	24	23	-	-	20	-	-	-			
MX123 CONN ASSY 73 CKT GRY OPT0 KEY B/37	345666783	C-HSG-B0	G-CAP-0-P	TPA-B0	RS	LS	MAL	CPA	MSEAL	RSEAL	-	71	-	69	-	67	-	65	64	63	62	61	-	-	58	57	56	-	-	-	SALEABLE		345650003
											-	51	-	49	-	47	-	45	44	-	42	41	-	-	38	37	36	-	-	-			
															-	-	-	-	-	-	-	-	-	-	22	21	20	19	18	-			
MX123 CONN ASSY 73 CKT GRY OPT0 KEY B/42	345666793	C-HSG-B0	G-CAP-0-P	TPA-B0	RS	LS	MAL	CPA	MSEAL	RSEAL	-	71	-	69	-	67	-	65	-	-	62	61	-	-	58	57	56	-	-	-	SALEABLE		345650003
											-	51	-	49	-	47	-	45	44	-	42	41	-	-	38	37	36	-	-	-			
															-	-	-	-	-	-	-	-	-	-	22	21	-	19	18	-			

ASSEMBLY DESCRIPTION	ASSEMBLY PART NUMBER	CONNECTOR HOUSING	GROMMET CAP	TPA	RIGHT SLIDE	LEFT SLIDE	MATE ASSIST LEVER	CPA	MAT SEAL	RING SEAL	BLOCKED TERMINALS																				STATUS	COMMENTS	INTEGRAL COMPONENTS SOLD SEPARATELY
											CAVITY WITH A NUMBER INDICATES BLOCKED TERMINAL POSITION																						DRESS COVER
											CAVITY WITHOUT A NUMBER INDICATES OPEN TERMINAL POSITION																						
MX123 CONN ASSY 73 CKT GRY OPT0 KEY B/55	345666803	C-HSG-B0	G-CAP-0-P	TPA-B0	RS	LS	MAL	CPA	MSEAL	RSEAL	72	71	70	69	68	67	66	-	64	63	62	61	60	-	58	-	56	-	54	-	SALEABLE		345650003
											52	51	50	-	-	47	-	45	-	43	42	41	40	-	38	-	36	-	34	-			
															32	31	30	-	-	27	26	25	24	-	22	-	20	19	18	17			
				16	15	14	13	12	11	10	9	8	-	6	5	4	3	2	1														
MX123 CONN ASSY 73 CKT BLK OPT9 KEY A/55	345666813	C-HSG-A9	G-CAP-9-P	TPA-A9	RS	LS	MAL	CPA	MSEAL	RSEAL	72	-	-	-	-	-	66	-	-	-	-	-	-	59	-	-	-	-	-	SALEABLE		345650003	
											-	-	-	-	-	-	46	-	-	-	-	-	-	38	-	-	35	-	33				
															-	31	-	-	-	-	-	-	23	22	-	20	19	-	17				
				-	-	-	-	-	-	-	-	-	7	6	-	4	-	2	1														
MX123 CONN ASSY 73 CKT BLU OPT9 KEY C/45	345666823	C-HSG-C9	G-CAP-9-P	TPA-C9	RS	LS	MAL	CPA	MSEAL	RSEAL	-	71	-	69	-	-	-	65	64	-	-	61	60	-	58	-	56	55	54	-	SALEABLE		345650003
											-	-	50	-	-	-	-	45	-	43	42	-	-	38	-	-	-	-					
															-	31	-	29	28	-	-	-	23	-	-	-	19	18	17				
				16	-	-	-	12	11	-	-	-	7	-	-	-	3	-	1														
MX123 CONN ASSY 73 CKT BLK OPT0 KEY A/36	345666833	C-HSG-A0	G-CAP-0-P	TPA-A0	RS	LS	MAL	CPA	MSEAL	RSEAL	72	71	-	-	68	67	66	65	64	-	62	61	-	-	-	-	-	-	SALEABLE		345650003		
											-	-	50	-	-	-	46	45	-	-	-	-	39	38	-	-	35	-				-	
															-	31	30	29	-	27	-	25	24	23	22	21	20	-				-	17
				-	-	14	13	-	11	-	9	8	7	6	5	4	-	2	1														
MX123 CONN ASSY 73 CKT BLK OPT0 KEY A/54	345666843	C-HSG-A0	G-CAP-0-P	TPA-A0	RS	LS	MAL	CPA	MSEAL	RSEAL	-	-	-	-	-	67	-	-	-	-	62	-	-	59	58	-	-	55	-	-	SALEABLE		345650003
											-	-	-	-	-	47	-	-	-	-	42	41	-	-	-	-	35	-	-				
															-	-	-	-	-	27	-	-	24	-	-	-	19	18	-				
				16	-	-	-	-	11	10	-	8	-	-	-	-	3	-	1														
MX123 CONN ASSY 73 CKT BLU OPT0 KEY C/43	345666853	C-HSG-C0	G-CAP-0-P	TPA-C0	RS	LS	MAL	CPA	MSEAL	RSEAL	72	71	70	-	68	-	-	65	-	63	-	-	-	59	58	-	56	-	-	53	SALEABLE		345650003
											-	-	-	-	-	47	-	-	-	43	-	-	40	39	38	-	36	-	-				
															-	31	30	29	-	-	-	24	23	22	21	20	-	-	-				
				-	-	-	-	-	-	-	-	-	-	6	5	4	3	2	1														
MX123 CONN ASSY 73 CKT BLK OPT0 KEY A/54	345666863	C-HSG-A0	G-CAP-0-P	TPA-A0	RS	LS	MAL	CPA	MSEAL	RSEAL	-	-	-	-	-	67	-	-	-	-	62	-	-	59	58	-	-	55	-	-	SALEABLE		345650003
											-	-	-	-	-	47	-	-	-	-	41	-	-	-	-	35	-	-					
															-	-	-	-	-	27	-	-	24	-	-	-	19	18	17				
				16	-	-	-	-	11	10	-	8	-	-	-	-	3	-	1														
MX123 CONN ASSY 73 CKT GRY OPT9 KEY B/36	345666873	C-HSG-B9	G-CAP-9-P	TPA-B9	RS	LS	MAL	CPA	MSEAL	RSEAL	-	71	70	69	-	-	66	65	64	-	-	-	-	-	58	57	56	-	54	-	SALEABLE		345650003
											-	51	50	49	-	-	-	45	-	-	42	-	-	39	-	-	-	-	34	33			
															32	31	-	29	28	-	26	25	24	23	22	21	-	-	-				
				-	-	-	13	12	-	10	9	-	7	6	5	-	3	2	-														
MX123 CONN ASSY 73 CKT BLK OPT9 KEY A/37	345666883	C-HSG-A9	G-CAP-9-P	TPA-A9	RS	LS	MAL	CPA	MSEAL	RSEAL	-	71	-	69	68	-	66	65	64	-	62	61	-	-	-	-	-	54	53	SALEABLE		345650003	
											-	-	50	49	-	-	-	45	44	-	-	41	-	-	-	-	-	34	33				
															32	31	30	29	-	-	26	25	24	23	-	-	20	19	-				-
				16	15	14	13	-	-	10	-	8	-	6	-	4	3	-	-														
MX123 CONN ASSY 73 CKT GRY OPT0 KEY B/66	345666893	C-HSG-B0	G-CAP-0-P	TPA-B0	RS	LS	MAL	CPA	MSEAL	RSEAL	-	-	-	-	-	-	-	-	-	-	-	-	-	-	58	-	-	-	54	53	SALEABLE		345650003
											-	-	-	-	-	-	-	-	-	42	-	-	-	-	-	-	-	-	-				
															-	-	-	-	-	27	-	25	-	-	-	-	-	-	-				
				-	-	-	-	-	-	10	-	-	-	-	-	-	-	-	-														
MX123 CONN ASSY 73 CKT GRY OPT0 KEY B/55	345666903	C-HSG-B0	G-CAP-0-P	TPA-B0	RS	LS	MAL	CPA	MSEAL	RSEAL	72	71	70	69	68	67	66	65	-	63	62	61	60	-	58	-	56	-	54	-	SALEABLE		345650003
											52	51	50	-	-	47	-	45	44	43	42	41	40	-	38	-	36	-	34	-			
															-	31	30	-	28	27	26	25	24	-	22	-	20	19	-	17			
				16	15	14	13	12	11	10	9	8	-	6	5	4	3	2	1														
MX123 CONN ASSY 73 CKT BLK OPT9 KEY A/63	345666913	C-HSG-A9	G-CAP-9-P	TPA-A9	RS	LS	MAL	CPA	MSEAL	RSEAL	-	-	-	-	-	-	-	-	-	-	62	61	-	-	-	-	-	-	53	SALEABLE		345650003	
											-	-	-	-	-	-	-	-	-	-	41	-	-	-	-	-	-	-	33				
															-	-	-	-	-	-	-	24	-	-	-	-	19	-	-				
				-	-	-	-	-	-	10	-	8	-	-	-	-	3	-	-														

ASSEMBLY DESCRIPTION	ASSEMBLY PART NUMBER	CONNECTOR HOUSING	GROMMET CAP	TPA	RIGHT SLIDE	LEFT SLIDE	MATE ASSIST LEVER	CPA	MAT SEAL	RING SEAL	BLOCKED TERMINALS																			STATUS	COMMENTS	INTEGRAL COMPONENTS SOLD SEPARATELY	
											CAVITY WITH A NUMBER INDICATES BLOCKED TERMINAL POSITION																					DRESS COVER	
											CAVITY WITHOUT A NUMBER INDICATES OPEN TERMINAL POSITION																						
MX123 CONN ASSY 73 CKT BLU OPT9 KEY C/56	345666923	C-HSG-C9	G-CAP-9-P	TPA-C9	RS	LS	MAL	CPA	MSEAL	RSEAL	-	-	-	-	68	-	-	-	-	63	62	-	-	59	-	-	-	55	-	53	SALEABLE		345650003
											-	-	-	-	-	-	-	-	43	42	-	40	-	-	-	36	35	-	-				
											-	-	-	-	-	-	-	-	-	-	-	-	-	-	-	20	19	-	-				
MX123 CONN ASSY 73 CKT GRY OPT9 KEY B/39	345666933	C-HSG-B9	G-CAP-9-P	TPA-B9	RS	LS	MAL	CPA	MSEAL	RSEAL	-	71	70	69	-	-	66	65	64	-	-	-	-	-	58	57	56	-	54	-	SALEABLE		345650003
											-	51	50	49	-	-	-	45	-	-	42	-	-	39	-	-	-	-	34	33			
											-	-	-	-	32	31	-	29	28	-	26	25	24	23	-	-	-	-	-	-			
MX123 CONN ASSY 73 CKT BLK OPT9 KEY A/51	345666943	C-HSG-A9	G-CAP-9-P	TPA-A9	RS	LS	MAL	CPA	MSEAL	RSEAL	-	-	-	-	-	67	-	-	-	-	62	-	-	59	58	-	-	55	-	-	SALEABLE		345650003
											-	-	-	-	-	47	-	-	-	-	-	-	-	-	-	-	35	-	-				
											-	-	-	-	-	-	-	-	27	26	25	24	-	-	-	20	19	18	17				
MX123 CONN ASSY 73 CKT BLK OPT0 KEY A/52	345666953	C-HSG-A0	G-CAP-0-P	TPA-A0	RS	LS	MAL	CPA	MSEAL	RSEAL	-	-	-	-	68	67	-	65	-	-	62	-	-	59	58	-	-	55	-	-	SALEABLE		345650003
											-	-	-	-	48	47	-	-	-	-	42	41	-	-	-	-	35	-	-				
											-	-	-	-	-	-	-	-	27	-	-	24	-	-	-	19	18	17	-				
MX123 CONN ASSY 73 CKT GRY OPT0 KEY B/24	345666963	C-HSG-B0	G-CAP-0-P	TPA-B0	RS	LS	MAL	CPA	MSEAL	RSEAL	-	71	-	69	-	-	66	65	64	63	-	-	60	59	58	57	56	-	54	53	SALEABLE		345650003
											-	51	50	49	-	-	-	45	44	-	42	41	-	39	38	37	36	35	34	33			
											-	-	-	-	32	31	-	29	28	27	26	25	24	23	22	21	-	-	-	17			
MX123 CONN ASSY 73 CKT BLU OPT0 KEY C/46	345666973	C-HSG-C0	G-CAP-0-P	TPA-C0	RS	LS	MAL	CPA	MSEAL	RSEAL	72	-	-	-	68	-	66	-	-	63	-	-	-	59	58	-	56	-	-	53	SALEABLE		345650003
											-	-	-	-	-	-	-	-	43	-	-	40	39	38	-	36	-	-	-				
											-	-	-	-	-	31	30	29	-	-	-	24	23	22	21	20	-	-	-				
MX123 CONN ASSY 73 CKT BLU OPT0 KEY C/36	345666983	C-HSG-C0	G-CAP-0-P	TPA-C0	RS	LS	MAL	CPA	MSEAL	RSEAL	72	-	70	-	68	-	66	-	-	63	-	61	-	59	58	-	56	55	-	53	SALEABLE		345650003
											-	-	-	49	-	-	-	-	43	-	41	40	39	38	-	36	35	-	-				
											-	-	-	-	32	31	30	29	-	-	-	25	24	23	22	21	20	19	-	17			
MX123 CONN ASSY 73 CKT GRY OPT0 KEY B/43	345667003	C-HSG-B0	G-CAP-0-P	TPA-B0	RS	LS	MAL	CPA	MSEAL	RSEAL	72	71	70	69	68	-	-	65	64	63	62	61	60	-	58	-	-	-	54	-	SALEABLE		345650003
											52	51	-	-	-	-	46	45	44	43	42	41	40	-	38	-	-	-	34	-			
											-	-	-	-	32	31	30	-	28	27	26	25	24	-	22	-	20	19	-	-			
MX123 CONN ASSY 73 CKT BLK OPT9 KEY A/44	345667013	C-HSG-A9	G-CAP-9-P	TPA-A9	RS	LS	MAL	CPA	MSEAL	RSEAL	72	-	-	-	68	67	66	65	-	-	-	-	-	-	-	-	-	-	-	SALEABLE		345650003	
											-	-	-	-	48	47	46	-	-	-	-	40	-	38	-	-	35	-	33				
											-	-	-	-	-	31	30	-	-	-	-	25	24	23	22	21	20	-	-				17
MX123 CONN ASSY 73 CKT BLK OPT0 KEY A/51	345667023	C-HSG-A0	G-CAP-0-P	TPA-A0	RS	LS	MAL	CPA	MSEAL	RSEAL	-	-	-	-	-	67	-	-	-	63	62	-	-	59	58	-	-	55	-	-	SALEABLE		345650003
											-	-	-	-	-	47	-	-	-	-	42	41	-	-	-	-	35	-	-				
											-	-	-	-	-	-	-	-	27	-	-	24	-	-	-	19	18	17	-				
MX123 CONN ASSY 73 CKT BLK OPT0 KEY A/41	345667033	C-HSG-A0	G-CAP-0-P	TPA-A0	RS	LS	MAL	CPA	MSEAL	RSEAL	72	71	-	-	68	67	66	-	64	-	-	-	-	59	-	-	-	-	-	SALEABLE		345650003	
											-	-	50	-	48	47	46	45	-	-	-	-	40	39	38	-	-	35	-				33
											-	-	-	-	-	31	30	-	-	-	-	25	24	23	22	-	20	-	-				17
MX123 CONN ASSY 73 CKT GRY OPT0 KEY B/24	345667043	C-HSG-B0	G-CAP-0-P	TPA-B0	RS	LS	MAL	CPA	MSEAL	RSEAL	-	71	70	69	-	-	66	65	64	-	-	-	-	-	58	57	56	-	54	53	SALEABLE		345650003
											-	51	50	49	48	47	-	45	44	-	42	-	-	39	38	37	36	35	34	33			
											-	-	-	-	32	31	30	29	28	-	26	25	24	23	22	21	-	-	-	17			

ASSEMBLY DESCRIPTION	ASSEMBLY PART NUMBER	CONNECTOR HOUSING	GROMMET CAP	TPA	RIGHT SLIDE	LEFT SLIDE	MATE ASSIST LEVER	CPA	MAT SEAL	RING SEAL	BLOCKED TERMINALS																			STATUS	COMMENTS	INTEGRAL COMPONENTS SOLD SEPARATELY		
											CAVITY WITH A NUMBER INDICATES BLOCKED TERMINAL POSITION																					DRESS COVER		
											CAVITY WITHOUT A NUMBER INDICATES OPEN TERMINAL POSITION																							
MX123 CONN ASSY 73 CKT BLU OPT0 KEY C/39	345667053	C-HSG-C0	G-CAP-0-P	TPA-C0	RS	LS	MAL	CPA	MSEAL	RSEAL	72	-	70	-	68	-	66	-	-	63	-	-	-	59	58	-	56	55	-	53	SALEABLE		345650003	
											-	-	-	-	-	-	-	-	-	43	-	-	40	39	38	-	36	35	-	-				
															32	31	30	29	-	-	-	-	24	23	22	21	20	19	18	17				
MX123 CONN ASSY 73 CKT BLU OPT0 KEY C/35	345667063	C-HSG-C0	G-CAP-0-P	TPA-C0	RS	LS	MAL	CPA	MSEAL	RSEAL	-	71	-	69	-	-	-	65	64	-	-	61	60	-	58	-	56	55	54	-	SALEABLE		345650003	
											-	-	50	49	-	-	-	45	-	43	42	41	-	-	38	37	36	35	-	-				
															-	31	-	29	28	27	-	-	24	23	-	-	20	19	18	17				
MX123 CONN ASSY 73 CKT NAT OPT9 KEY F/17	345667073	C-HSG-F9	G-CAP-9-P	TPA-F9	RS	LS	MAL	CPA	MSEAL	RSEAL	72	71	70	-	-	67	66	65	64	63	62	61	60	59	-	-	56	55	54	53	SALEABLE		345650003	
											52	51	50	49	48	47	46	45	44	-	-	41	40	39	-	-	36	35	34	-				
															32	31	-	29	28	27	26	25	24	23	22	21	20	-	-	-				
MX123 CONN ASSY 73 CKT GRY OPT9 KEY B/13	345667083	C-HSG-B9	G-CAP-9-P	TPA-B9	RS	LS	MAL	CPA	MSEAL	RSEAL	72	71	70	69	68	67	66	65	64	63	62	61	60	59	58	57	56	55	54	53	SALEABLE		345650003	
											52	51	50	49	48	47	46	45	44	43	42	41	40	39	38	37	36	35	34	33				
															32	31	30	29	28	27	26	25	24	23	22	21	20	19	18	17				
MX123 CONN ASSY 73 CKT GRY OPT9 KEY B/49	345667093	C-HSG-B9	G-CAP-9-P	TPA-B9	RS	LS	MAL	CPA	MSEAL	RSEAL	-	-	-	-	-	-	-	-	-	-	62	61	60	-	58	57	56	55	54	-	SALEABLE		345650003	
											-	-	-	-	-	-	-	-	-	-	-	42	41	40	-	38	37	36	35	-				-
															-	-	-	-	-	-	-	-	-	-	22	21	20	19	18	-				
MX123 CONN ASSY 73 CKT BLK OPT0 KEY A/25	345667103	C-HSG-A0	G-CAP-0-P	TPA-A0	RS	LS	MAL	CPA	MSEAL	RSEAL	-	-	-	-	-	-	65	-	-	-	61	-	-	58	57	56	-	-	-	SALEABLE		345650003		
											-	51	50	-	-	47	46	45	-	-	-	41	-	-	38	37	36	-	-				-	
															-	31	30	-	-	-	26	25	-	-	22	21	20	-	-				-	
MX123 CONN ASSY 73 CKT GRY OPT9 KEY B/8	345667133	C-HSG-B9	G-CAP-9-P	TPA-B9	RS	LS	MAL	CPA	MSEAL	RSEAL	72	71	70	69	68	67	66	65	64	63	62	61	60	59	-	57	56	55	-	-	SALEABLE		345650003	
											52	51	50	49	48	47	46	45	44	43	-	41	40	39	38	37	36	35	34	33				
															32	31	30	29	28	-	26	-	24	23	22	21	20	19	18	17				
MX123 CONN ASSY 73 CKT BLK OPT0 KEY A/35	345667143	C-HSG-A0	G-CAP-0-P	TPA-A0	RS	LS	MAL	CPA	MSEAL	RSEAL	72	71	-	-	68	67	66	65	64	-	62	61	-	-	-	-	-	-	-	SALEABLE		345650003		
											-	-	50	-	-	-	46	45	-	-	-	-	40	39	38	-	-	35	-				-	
															-	31	30	29	-	27	-	25	24	23	22	21	20	-	-				17	
MX123 CONN ASSY 73 CKT BLU OPT0 KEY C/45	345667153	C-HSG-C0	G-CAP-0-P	TPA-C0	RS	LS	MAL	CPA	MSEAL	RSEAL	-	71	-	69	-	67	-	65	64	-	-	61	60	-	-	-	56	55	54	-	SALEABLE		345650003	
											-	-	50	-	-	-	45	-	43	-	41	-	-	38	-	-	35	-	-					
															-	31	-	29	28	27	-	-	-	23	-	-	20	-	-					
MX123 CONN ASSY 73 CKT BLK OPT0 KEY A/45	345667163	C-HSG-A0	G-CAP-0-P	TPA-A0	RS	LS	MAL	CPA	MSEAL	RSEAL	-	71	-	-	-	-	66	65	64	63	62	-	-	59	58	57	-	-	-	SALEABLE		345650003		
											-	51	-	-	-	-	46	-	-	-	42	-	-	39	38	37	36	-	-				-	
															32	31	30	-	-	27	26	-	-	23	22	21	-	-	-					
MX123 CONN ASSY 73 CKT GRY OPT0 KEY B/23	345667173	C-HSG-B0	G-CAP-0-P	TPA-B0	RS	LS	MAL	CPA	MSEAL	RSEAL	72	71	70	69	-	-	-	-	-	-	62	61	60	59	-	57	56	-	54	53	SALEABLE		345650003	
											52	51	50	49	48	47	-	-	44	-	42	41	40	39	-	37	36	35	-	33				
															-	31	-	-	-	-	26	25	24	23	-	21	20	19	18	-				
MX123 CONN ASSY 73 CKT GRY OPT0 KEY B/72	345667183	C-HSG-B0	G-CAP-0-P	TPA-B0	RS	LS	MAL	CPA	MSEAL	RSEAL	-	-	-	-	-	-	-	-	-	-	-	-	-	-	-	-	-	-	SALEABLE		345650003			
											-	-	-	-	-	-	-	-	-	-	-	-	-	-	-	-	-	-				-	-	
															-	-	-	-	-	-	-	-	-	-	23	-	-	-				-	-	

ASSEMBLY DESCRIPTION	ASSEMBLY PART NUMBER	CONNECTOR HOUSING	GROMMET CAP	TPA	RIGHT SLIDE	LEFT SLIDE	MATE ASSIST LEVER	CPA	MAT SEAL	RING SEAL	BLOCKED TERMINALS																				STATUS	COMMENTS	INTEGRAL COMPONENTS SOLD SEPARATELY
											CAVITY WITH A NUMBER INDICATES BLOCKED TERMINAL POSITION																						DRESS COVER
											CAVITY WITHOUT A NUMBER INDICATES OPEN TERMINAL POSITION																						
MX123 CONN ASSY 73 CKT GRY OPT0 KEY B/22	345667313	C-HSG-B0	G-CAP-0-P	TPA-B0	RS	LS	MAL	CPA	MSEAL	RSEAL	-	71	70	69	68	-	66	65	64	63	-	-	60	59	58	57	56	-	54	53	SALEABLE		345650003
											-	51	50	49	-	-	-	45	44	-	42	41	-	39	38	37	36	35	34	33			
															32	31	-	29	28	27	26	25	24	23	-	-	-	-	-	-			
MX123 CONN ASSY 73 CKT GRY OPT9 KEY B/66	345667333	C-HSG-B9	G-CAP-9-P	TPA-B9	RS	LS	MAL	CPA	MSEAL	RSEAL	-	-	-	-	-	-	-	-	-	-	-	-	-	-	58	-	-	-	54	53	SALEABLE		345650003
											-	-	-	-	-	-	-	-	-	-	42	-	-	-	-	-	-	-	-	-			
															-	-	-	-	-	27	-	25	-	-	-	-	-	-	-	-			
MX123 CONN ASSY 73 CKT GRY OPT9 KEY B/33	345667343	C-HSG-B9	G-CAP-9-P	TPA-B9	RS	LS	MAL	CPA	MSEAL	RSEAL	72	71	70	69	-	-	66	65	-	-	62	61	60	-	-	57	56	-	-	53	SALEABLE		345650003
											52	51	50	49	48	47	-	-	-	-	42	41	40	-	-	37	36	-	34	33			
															-	31	-	-	-	-	26	25	24	-	-	21	20	-	18	-			
MX123 CONN ASSY 73 CKT BLU OPT9 KEY C/40	345667353	C-HSG-C9	G-CAP-9-P	TPA-C9	RS	LS	MAL	CPA	MSEAL	RSEAL	72	71	70	-	68	-	-	65	-	63	-	61	-	59	58	-	56	-	-	53	SALEABLE		345650003
											-	-	-	49	-	-	-	-	-	43	-	41	40	39	38	-	36	-	-	-			
															-	31	30	29	-	-	-	25	24	23	22	21	20	-	-	-			
MX123 CONN ASSY 73 CKT GRY OPT0 KEY B/24	345667363	C-HSG-B0	G-CAP-0-P	TPA-B0	RS	LS	MAL	CPA	MSEAL	RSEAL	-	71	-	69	-	67	66	65	64	63	-	-	-	-	58	57	56	-	54	53	SALEABLE		345650003
											-	51	50	49	48	47	-	45	-	-	42	-	-	39	38	37	36	35	34	33			
															32	31	30	29	28	27	26	25	24	23	22	21	-	-	-	-			
MX123 CONN ASSY 73 CKT BLK OPT0 KEY A/52	345667373	C-HSG-A0	G-CAP-0-P	TPA-A0	RS	LS	MAL	CPA	MSEAL	RSEAL	-	-	-	-	-	67	-	-	-	63	62	-	-	59	58	-	-	55	-	-	SALEABLE		345650003
											-	-	-	-	-	47	-	-	-	-	-	41	-	-	-	-	-	35	-	-			
															32	-	-	-	-	27	-	-	24	-	-	-	-	-	19	18			
MX123 CONN ASSY 73 CKT BLU OPT0 KEY C/38	345667383	C-HSG-C0	G-CAP-0-P	TPA-C0	RS	LS	MAL	CPA	MSEAL	RSEAL	72	-	-	69	68	-	-	-	-	63	62	-	-	59	58	-	56	55	-	53	SALEABLE		345650003
											-	-	-	-	-	-	46	-	-	43	42	-	40	39	38	-	36	35	-	-			
															-	31	30	29	-	-	26	-	24	23	22	21	20	19	18	-			
MX123 CONN ASSY 73 CKT GRY OPT0 KEY B/19	345667393	C-HSG-B0	G-CAP-0-P	TPA-B0	RS	LS	MAL	CPA	MSEAL	RSEAL	-	71	70	69	68	67	66	65	64	63	-	-	60	59	58	57	56	-	54	53	SALEABLE		345650003
											-	51	50	49	-	-	-	45	-	-	42	41	-	39	38	37	36	35	34	33			
															32	31	30	29	28	27	26	25	24	23	22	21	-	-	-	17			
MX123 CONN ASSY 73 CKT GRY OPT0 KEY B/52	345667403	C-HSG-B0	G-CAP-0-P	TPA-B0	RS	LS	MAL	CPA	MSEAL	RSEAL	72	71	70	69	68	67	66	65	64	63	62	61	60	-	58	-	56	-	54	-	SALEABLE		345650003
											52	51	-	-	-	47	-	45	44	43	42	41	40	-	38	-	36	-	34	-			
															32	31	30	-	28	27	26	25	24	-	22	-	20	19	18	17			
MX123 CONN ASSY 73 CKT BLK OPT0 KEY A/53	345667413	C-HSG-A0	G-CAP-0-P	TPA-A0	RS	LS	MAL	CPA	MSEAL	RSEAL	-	-	-	-	-	67	-	-	-	-	62	-	-	59	58	-	-	55	-	-	SALEABLE		345650003
											52	-	-	-	-	47	-	-	-	-	-	41	-	-	-	-	-	35	-	-			
															-	-	-	-	-	27	-	-	24	-	-	-	-	19	18	17			
MX123 CONN ASSY 73 CKT BLU OPT0 KEY C/38	345667423	C-HSG-C0	G-CAP-0-P	TPA-C0	RS	LS	MAL	CPA	MSEAL	RSEAL	72	71	-	-	68	-	66	65	-	63	62	-	-	59	58	-	56	55	-	53	SALEABLE		345650003
											-	-	-	-	-	-	-	-	-	43	42	-	40	39	38	-	36	35	-	-			
															-	31	30	29	-	-	26	-	24	23	22	21	20	19	-	-			
MX123 CONN ASSY 73 CKT GRY OPT0 KEY B/31	345667433	C-HSG-B0	G-CAP-0-P	TPA-B0	RS	LS	MAL	CPA	MSEAL	RSEAL	-	71	70	69	-	67	66	65	64	63	-	-	-	-	58	57	56	-	54	53	SALEABLE		345650003
											-	51	50	49	-	-	-	45	-	-	42	-	-	39	-	-	-	-	34	33			
															32	31	-	29	28	27	26	25	24	23	22	21	-	-	-	-			

ASSEMBLY DESCRIPTION	ASSEMBLY PART NUMBER	CONNECTOR HOUSING	GROMMET CAP	TPA	RIGHT SLIDE	LEFT SLIDE	MATE ASSIST LEVER	CPA	MAT SEAL	RING SEAL	BLOCKED TERMINALS																				STATUS	COMMENTS	INTEGRAL COMPONENTS SOLD SEPARATELY						
											CAVITY WITH A NUMBER INDICATES BLOCKED TERMINAL POSITION																						DRESS COVER						
											CAVITY WITHOUT A NUMBER INDICATES OPEN TERMINAL POSITION																												
MX123 CONN ASSY 73 CKT BLK OPT0 KEY A/50	345667443	C-HSG-A0	G-CAP-0-P	TPA-A0	RS	LS	MAL	CPA	MSEAL	RSEAL	-	-	-	-	-	67	-	-	-	-	-	62	61	-	59	58	-	-	55	-	53	SALEABLE		345650003					
											-	-	-	-	-	47	-	-	-	-	-	41	-	-	-	-	-	-	-	-	35				-	33			
																					32	-	-	-	-	27	-	-	24	-	-				-	-	19	18	17
																					16	-	-	-	-	11	10	-	8	-	-				-	-	3	-	1
MX123 CONN ASSY 73 CKT BLU OPT0 KEY C/41	345667453	C-HSG-C0	G-CAP-0-P	TPA-C0	RS	LS	MAL	CPA	MSEAL	RSEAL	72	-	-	69	68	-	-	-	-	63	62	-	-	59	-	-	56	55	-	53	SALEABLE		345650003						
											-	-	-	-	-	46	-	-	43	42	-	40	39	-	-	36	35	-	-										
																					-	31	30	29	-	-	26	-	24	23				22	21	20	19	-	-
																					-	-	-	-	-	-	-	-	-	-				6	5	4	3	2	1
MX123 CONN ASSY 73 CKT GRY OPT0 KEY B/25	345667463	C-HSG-B0	G-CAP-0-P	TPA-B0	RS	LS	MAL	CPA	MSEAL	RSEAL	-	71	70	69	-	67	66	65	64	63	-	-	60	59	58	57	56	-	54	53	SALEABLE		345650003						
											-	51	50	49	-	-	-	45	44	-	42	41	-	39	38	37	36	35	34	33									
																					32	31	-	29	28	27	26	25	24	23				-	-	-	-	-	17
																					-	-	-	13	12	11	10	9	-	7				-	5	-	3	-	1
MX123 CONN ASSY 73 CKT GRY OPT0 KEY B/27	345667473	C-HSG-B0	G-CAP-0-P	TPA-B0	RS	LS	MAL	CPA	MSEAL	RSEAL	-	71	70	69	-	67	66	65	64	63	-	-	60	59	58	57	56	-	54	53	SALEABLE		345650003						
											-	51	50	49	-	-	-	45	44	-	42	41	-	39	38	37	36	35	34	33									
																					32	31	-	29	28	-	26	25	24	23				-	-	-	-	-	17
																					-	15	-	13	12	-	10	9	-	7				-	5	-	3	2	1
MX123 CONN ASSY 73 CKT GRY OPT0 KEY B/26	345667483	C-HSG-B0	G-CAP-0-P	TPA-B0	RS	LS	MAL	CPA	MSEAL	RSEAL	-	71	70	69	-	67	66	65	64	63	-	-	60	59	58	57	56	-	54	53	SALEABLE		345650003						
											-	51	50	49	-	-	-	45	44	-	42	41	-	39	38	37	36	35	34	33									
																					32	31	-	29	28	27	26	25	24	23				-	-	-	-	-	-
																					-	-	-	13	12	11	10	9	-	7				-	5	-	3	-	1
MX123 CONN ASSY 73 CKT BLU OPT0 KEY C/39	345667493	C-HSG-C0	G-CAP-0-P	TPA-C0	RS	LS	MAL	CPA	MSEAL	RSEAL	72	71	70	-	68	-	66	65	-	63	-	61	-	59	58	-	56	-	-	53	SALEABLE		345650003						
											-	-	-	49	-	-	-	-	-	43	-	41	40	39	38	-	36	-	-	-									
																					-	31	30	29	-	-	25	24	23	22				21	20	-	-	-	
																					-	-	-	-	-	-	-	-	-	-				6	5	4	3	2	1
MX123 CONN ASSY 73 CKT BLK OPT0 KEY A/8	345667503	C-HSG-A0	G-CAP-0-P	TPA-A0	RS	LS	MAL	CPA	MSEAL	RSEAL	-	-	-	-	-	-	-	65	-	-	-	61	-	-	-	-	-	-	-	SALEABLE		345650003							
											-	-	-	-	-	-	-	45	-	-	-	41	-	-	-	-	-	-	-				-						
																					-	-	-	-	-	-	26	25	-				-	-	-	-	-	-	
																					-	-	-	-	-	-	10	-	-				-	-	-	-	-	-	
MX123 CONN ASSY 73 CKT BLK OPT9 KEY A/50	345667513	C-HSG-A9	G-CAP-9-P	TPA-A9	RS	LS	MAL	CPA	MSEAL	RSEAL	-	-	-	-	-	67	-	-	-	-	62	-	-	59	58	-	-	55	-	-	SALEABLE		345650003						
											-	-	-	-	-	47	-	-	-	-	42	41	-	-	-	-	-	35	-	-									
																					-	-	-	-	-	27	26	25	24	-				-	-	-	19	18	17
																					16	-	-	-	-	11	10	9	8	-				-	-	-	3	-	1
MX123 CONN ASSY 73 CKT BLK OPT0 KEY A/37	345667523	C-HSG-A0	G-CAP-0-P	TPA-A0	RS	LS	MAL	CPA	MSEAL	RSEAL	-	71	70	69	68	67	66	65	-	63	-	-	60	-	-	-	-	-	53	SALEABLE		345650003							
											-	-	50	49	-	-	-	-	44	-	42	-	-	39	38	-	36	35	34				-						
																					-	31	-	-	28	-	-	-	-				23	22	21	-	19	18	17
																					-	-	14	-	12	-	-	-	8				7	6	5	-	3	2	1
MX123 CONN ASSY 73 CKT BLK OPT0 KEY A/1	345667543	C-HSG-A0	G-CAP-0-P	TPA-A0	RS	LS	MAL	CPA	MSEAL	RSEAL	72	71	70	69	68	67	66	65	64	63	62	61	60	59	58	57	56	55	54	53	SALEABLE		345650003						
											52	51	50	49	48	47	46	45	44	43	42	41	40	39	38	37	36	35	34	33									
																					32	31	30	29	28	27	26	25	24	23				22	21	20	19	18	17
																					16	15	14	13	12	11	10	9	8	7				6	5	4	3	2	1
MX123 CONN ASSY 73 CKT GRY OPT0 KEY B/1	345667553	C-HSG-B0	G-CAP-0-P	TPA-B0	RS	LS	MAL	CPA	MSEAL	RSEAL	72	71	70	69	68	67	66	65	64	63	62	61	60	59	58	57	56	55	54	53	SALEABLE		345650003						
											52	51	50	49	48	47	46	45	44	43	42	41	40	39	38	37	36	35	34	33									
																					32	31	30	29	28	27	26	25	24	23				22	21	20	19	18	17
																					16	15	14	13	12	11	10	9	8	7				6	5	4	3	2	1
MX123 CONN ASSY 73 CKT BLU OPT0 KEY C/1	345667563	C-HSG-C0	G-CAP-0-P	TPA-C0	RS	LS	MAL	CPA	MSEAL	RSEAL	72	71	70	69	68	67	66	65	64	63	62	61	60	59	58	57	56	55	54	53	SALEABLE		345650003						
											52	51	50	49	48	47	46	45	44	43	42	41	40	39	38	37	36	35	34	33									
																					32	31	30	29	28	27	26	25	24	23				22	21	20	19	18	17
																					16	15	14	13	12	11	10	9	8	7				6	5	4	3	2	1

ASSEMBLY DESCRIPTION	ASSEMBLY PART NUMBER	CONNECTOR HOUSING	GROMMET CAP	TPA	RIGHT SLIDE	LEFT SLIDE	MATE ASSIST LEVER	CPA	MAT SEAL	RING SEAL	BLOCKED TERMINALS																			STATUS	COMMENTS	INTEGRAL COMPONENTS SOLD SEPARATELY		
											CAVITY WITH A NUMBER INDICATES BLOCKED TERMINAL POSITION																					DRESS COVER		
											CAVITY WITHOUT A NUMBER INDICATES OPEN TERMINAL POSITION																							
MX123 CONN ASSY 73 CKT GRY OPT0 KEY B/27	345667573	C-HSG-B0	G-CAP-0-P	TPA-B0	RS	LS	MAL	CPA	MSEAL	RSEAL	-	71	-	69	-	67	66	65	64	63	-	-	60	59	58	57	56	-	54	53	SALEABLE		345650003	
											-	51	50	49	-	-	-	45	44	-	42	41	-	39	38	37	36	35	34	33				
															32	31	-	29	28	27	26	25	24	23	-	-	-	-	-	-				
MX123 CONN ASSY 73 CKT BLK OPT9 KEY A/37	345667583	C-HSG-A9	G-CAP-9-P	TPA-A9	RS	LS	MAL	CPA	MSEAL	RSEAL	-	71	-	69	68	-	66	65	64	-	62	61	-	-	-	-	56	55	54	53	SALEABLE		345650003	
											-	51	50	49	-	-	-	45	44	-	41	-	-	-	-	36	35	34	33					
															-	-	-	-	-	-	26	25	24	23	-	-	20	19	18	17				
MX123 CONN ASSY 73 CKT BLK OPT9 KEY A/52	345667593	C-HSG-A9	G-CAP-9-P	TPA-A9	RS	LS	MAL	CPA	MSEAL	RSEAL	-	71	-	-	-	67	66	65	-	63	-	-	60	-	-	-	-	-	-	SALEABLE		345650003		
											-	-	-	49	-	-	-	-	44	-	42	-	-	39	38	-	36	-	34				-	
															-	31	-	-	28	-	-	-	23	22	21	-	-	-	-				17	
MX123 CONN ASSY 73 CKT GRY OPT0 KEY B/48	345667603	C-HSG-B0	G-CAP-0-P	TPA-B0	RS	LS	MAL	CPA	MSEAL	RSEAL	72	71	70	-	-	67	-	65	64	63	62	61	60	-	58	-	56	-	54	-	SALEABLE		345650003	
											52	51	50	-	-	47	-	45	-	43	42	41	40	-	38	-	36	-	34	-				
															32	31	30	-	-	27	26	25	24	-	22	-	20	19	-	-				
MX123 CONN ASSY 73 CKT BLK OPT9 KEY A/64	345667633	C-HSG-A9	G-CAP-9-P	TPA-A9	RS	LS	MAL	CPA	MSEAL	RSEAL	-	-	-	-	-	-	-	-	-	-	62	61	-	-	-	-	-	-	53	SALEABLE		345650003		
											-	-	-	-	-	-	-	-	-	-	-	-	-	-	-	-	-	-	-				-	33
															-	-	-	-	-	-	-	-	24	-	-	-	-	19	-				-	
MX123 CONN ASSY 73 CKT GRY OPT9 KEY B/21	345667643	C-HSG-B9	G-CAP-9-P	TPA-B9	RS	LS	MAL	CPA	MSEAL	RSEAL	72	71	70	69	-	-	66	65	-	63	62	61	60	-	-	57	56	55	54	53	SALEABLE		345650003	
											52	51	50	49	48	47	-	-	44	43	42	41	40	-	-	37	36	35	34	33				
															-	31	-	-	-	26	25	24	-	-	21	20	19	18	-					
MX123 CONN ASSY 73 CKT GRY OPT0 KEY B/24	345667653	C-HSG-B0	G-CAP-0-P	TPA-B0	RS	LS	MAL	CPA	MSEAL	RSEAL	-	71	-	69	68	67	66	65	64	63	-	-	60	59	58	57	56	-	54	53	SALEABLE		345650003	
											-	51	50	49	-	-	-	45	44	-	42	41	-	39	38	37	36	35	34	33				
															32	31	-	29	28	27	26	25	24	23	-	-	-	-	-	-				17
MX123 CONN ASSY 73 CKT GRY OPT0 KEY B/36	345667663	C-HSG-B0	G-CAP-0-P	TPA-B0	RS	LS	MAL	CPA	MSEAL	RSEAL	-	71	-	69	-	67	66	65	64	63	-	-	-	-	58	57	56	-	54	53	SALEABLE		345650003	
											-	51	50	49	-	-	-	45	-	42	-	-	39	-	-	-	-	-	34	-				
															32	31	-	29	28	27	26	25	24	23	-	-	-	-	-	-				-
MX123 CONN ASSY 73 CKT BLU OPT0 KEY C/46	345667673	C-HSG-C0	G-CAP-0-P	TPA-C0	RS	LS	MAL	CPA	MSEAL	RSEAL	72	-	-	-	68	-	-	-	-	63	62	-	-	-	-	-	56	55	-	53	SALEABLE		345650003	
											-	-	-	-	-	-	-	-	-	43	42	-	40	-	-	-	-	36	35	-				-
															-	31	30	29	-	-	26	-	24	-	22	21	20	19	-	-				
MX123 CONN ASSY 73 CKT GRY OPT9 KEY B/67	345667683	C-HSG-B9	G-CAP-9-P	TPA-B9	RS	LS	MAL	CPA	MSEAL	RSEAL	-	-	-	-	-	-	-	-	-	-	-	-	-	-	58	-	-	-	54	53	SALEABLE		345650003	
											-	-	-	-	-	-	-	-	-	-	-	-	-	-	-	-	-	-	-	-				-
															-	-	-	-	-	27	-	-	-	-	-	-	-	-	-	-				-
MX123 CONN ASSY 73 CKT BLK OPT9 KEY A/31	345667693	C-HSG-A9	G-CAP-9-P	TPA-A9	RS	LS	MAL	CPA	MSEAL	RSEAL	-	71	70	69	68	67	66	65	-	63	-	-	60	59	58	-	-	-	-	53	SALEABLE		345650003	
											-	-	50	49	48	47	-	-	44	-	42	41	-	39	38	-	36	-	-	33				
															-	31	-	-	28	-	26	-	24	23	22	21	-	19	18	17				
MX123 CONN ASSY 73 CKT BLK OPT0 KEY A/26	345667703	C-HSG-A0	G-CAP-0-P	TPA-A0	RS	LS	MAL	CPA	MSEAL	RSEAL	-	-	-	-	-	-	-	65	-	-	-	61	-	-	58	57	56	-	-	-	SALEABLE		345650003	
											-	51	50	-	-	47	46	45	-	-	-	41	-	-	38	37	36	-	-	-				
															-	31	30	-	28	-	26	25	-	-	22	21	20	-	-	-				

ASSEMBLY DESCRIPTION	ASSEMBLY PART NUMBER	CONNECTOR HOUSING	GROMMET CAP	TPA	RIGHT SLIDE	LEFT SLIDE	MATE ASSIST LEVER	CPA	MAT SEAL	RING SEAL	BLOCKED TERMINALS																			STATUS	COMMENTS	INTEGRAL COMPONENTS SOLD SEPARATELY						
											CAVITY WITH A NUMBER INDICATES BLOCKED TERMINAL POSITION																					DRESS COVER						
											CAVITY WITHOUT A NUMBER INDICATES OPEN TERMINAL POSITION																											
MX123 CONN ASSY 73 CKT BLK OPT9 KEY A/35	345667713	C-HSG-A9	G-CAP-9-P	TPA-A9	RS	LS	MAL	CPA	MSEAL	RSEAL	-	71	70	69	68	67	66	65	-	63	-	-	60	59	-	-	-	-	-	-	53	SALEABLE		345650003				
											-	-	50	49	-	47	-	-	44	-	42	-	-	39	38	-	36	-	-	-	-				-	-	-	33
															-	31	-	-	28	-	26	-	24	23	22	21	-	19	18	17								
MX123 CONN ASSY 73 CKT BLK OPT9 KEY A/30	345667723	C-HSG-A9	G-CAP-9-P	TPA-A9	RS	LS	MAL	CPA	MSEAL	RSEAL	-	71	70	69	68	67	66	65	-	63	-	-	60	59	58	-	-	-	-	-	SALEABLE		345650003					
											-	-	50	49	48	47	-	-	44	-	42	41	-	39	38	-	36	35	34	33								
															-	31	-	-	28	-	26	-	24	23	22	21	-	19	18	17								
MX123 CONN ASSY 73 CKT BLK OPT9 KEY A/34	345667733	C-HSG-A9	G-CAP-9-P	TPA-A9	RS	LS	MAL	CPA	MSEAL	RSEAL	-	71	70	69	68	67	66	65	-	63	-	-	60	59	-	-	-	-	-	SALEABLE		345650003						
											-	-	50	49	-	47	-	-	44	-	42	-	-	39	38	-	36	35	34				33					
															-	31	-	-	28	-	26	-	24	23	22	21	-	19	18				17					
MX123 CONN ASSY 73 CKT BLU OPT0 KEY C/45	345667743	C-HSG-C0	G-CAP-0-P	TPA-C0	RS	LS	MAL	CPA	MSEAL	RSEAL	-	71	-	69	-	-	-	65	64	-	-	61	60	-	58	-	56	55	54	-	SALEABLE		345650003					
											-	-	50	-	-	-	-	45	-	43	42	-	-	-	38	-	-	-	-	-								
															-	31	-	29	28	-	-	-	-	23	-	-	-	19	18	17								
MX123 CONN ASSY 73 CKT BLK OPT0 KEY A/51	345667753	C-HSG-A0	G-CAP-0-P	TPA-A0	RS	LS	MAL	CPA	MSEAL	RSEAL	72	-	-	-	-	-	66	65	-	-	-	-	-	-	-	-	-	-	SALEABLE		345650003							
											-	-	-	-	48	47	46	-	-	-	-	-	40	-	-	-	35	-				33						
															-	-	30	-	-	-	-	-	24	23	22	21	20	-				-	17					
MX123 CONN ASSY 73 CKT NAT OPT0 KEY F/1	345667763	C-HSG-F0	G-CAP-0-P	TPA-F0	RS	LS	MAL	CPA	MSEAL	RSEAL	72	71	70	69	68	67	66	65	64	63	62	61	60	59	58	57	56	55	54	53	SALEABLE		345650003					
											52	51	50	49	48	47	46	45	44	43	42	41	40	39	38	37	36	35	34	33								
															32	31	30	29	28	27	26	25	24	23	22	21	20	19	18	17								
MX123 CONN ASSY 73 CKT GRY OPT0 KEY B/25	345667773	C-HSG-B0	G-CAP-0-P	TPA-B0	RS	LS	MAL	CPA	MSEAL	RSEAL	-	71	-	69	68	-	66	65	64	-	-	-	-	-	58	57	56	55	54	53	SALEABLE		345650003					
											-	51	50	49	48	47	-	45	44	-	42	-	-	39	38	37	36	35	34	33								
															32	31	30	29	28	-	26	25	24	23	-	-	-	-	-	17								
MX123 CONN ASSY 73 CKT BLK OPT0 KEY A/51	345667783	C-HSG-A0	G-CAP-0-P	TPA-A0	RS	LS	MAL	CPA	MSEAL	RSEAL	-	-	-	-	-	67	-	-	-	-	62	61	-	59	58	-	-	55	-	53	SALEABLE		345650003					
											-	-	-	-	-	47	-	-	-	-	-	-	-	-	-	-	35	-	33									
															-	-	-	-	-	27	-	-	24	-	-	-	20	19	18	17								
MX123 CONN ASSY 73 CKT BLK OPT0 KEY A/40	345667793	C-HSG-A0	G-CAP-0-P	TPA-A0	RS	LS	MAL	CPA	MSEAL	RSEAL	-	71	-	69	68	-	-	-	64	-	62	61	-	-	-	-	-	-	54	53	SALEABLE		345650003					
											-	-	50	-	-	-	-	-	44	-	-	41	-	-	-	-	-	-	34	33								
															32	31	30	29	-	-	26	25	24	-	-	-	20	19	-	-								
MX123 CONN ASSY 73 CKT BLK OPT0 KEY A/26	345667803	C-HSG-A0	G-CAP-0-P	TPA-A0	RS	LS	MAL	CPA	MSEAL	RSEAL	-	-	-	69	-	67	-	65	-	-	-	-	-	-	58	57	56	-	-	-	SALEABLE		345650003					
											-	51	50	-	-	47	-	45	-	-	-	41	-	-	38	37	36	-	-	-								
															-	31	30	-	-	-	26	25	-	-	22	21	20	-	-	-								
MX123 CONN ASSY 73 CKT BLK OPT0 KEY A/50	345667813	C-HSG-A0	G-CAP-0-P	TPA-A0	RS	LS	MAL	CPA	MSEAL	RSEAL	72	71	-	-	-	-	66	65	64	-	-	-	-	-	-	-	-	-	SALEABLE		345650003							
											-	-	-	-	48	47	46	45	-	-	-	-	-	-	-	-	35	-				33						
															-	31	30	-	-	-	-	-	24	23	22	-	20	-				-	17					
MX123 CONN ASSY 73 CKT GRY OPT0 KEY B/32	345667823	C-HSG-B0	G-CAP-0-P	TPA-B0	RS	LS	MAL	CPA	MSEAL	RSEAL	-	71	70	69	-	-	66	65	64	-	-	-	-	-	58	57	56	55	54	53	SALEABLE		345650003					
											-	51	50	49	-	-	-	45	-	-	42	-	-	39	-	-	-	-	34	33								
															32	31	-	29	28	-	26	25	24	23	22	21	-	-	-	17								

ASSEMBLY DESCRIPTION	ASSEMBLY PART NUMBER	CONNECTOR HOUSING	GROMMET CAP	TPA	RIGHT SLIDE	LEFT SLIDE	MATE ASSIST LEVER	CPA	MAT SEAL	RING SEAL	BLOCKED TERMINALS																		STATUS	COMMENTS	INTEGRAL COMPONENTS SOLD SEPARATELY						
											CAVITY WITH A NUMBER INDICATES BLOCKED TERMINAL POSITION																				DRESS COVER						
											CAVITY WITHOUT A NUMBER INDICATES OPEN TERMINAL POSITION																										
MX123 CONN ASSY 73 CKT BLK OPT9 KEY A/54	345667963	C-HSG-A9	G-CAP-9-P	TPA-A9	RS	LS	MAL	CPA	MSEAL	RSEAL	-	-	-	-	-	67	-	-	-	-	-	62	-	-	59	58	-	-	55	-	-						
											-	-	-	-	-	47	-	-	-	-	-	41	-	-	-	-	-	35	-	-							
																						-	-	-	-	-	27	-	-	24	-	-	-	-	19	18	17
																						16	-	-	-	-	11	10	-	8	-	-	-	-	3	-	1
MX123 CONN ASSY 73 CKT GRY OPT9 KEY B/36	345667973	C-HSG-B9	G-CAP-9-P	TPA-B9	RS	LS	MAL	CPA	MSEAL	RSEAL	-	71	70	69	68	67	66	65	64	63	-	-	-	-	58	57	56	-	54	53							
											-	51	-	-	-	-	-	-	44	-	42	-	-	39	-	-	-	-	-	33							
																						32	31	-	-	28	27	26	25	24	23	-	-	-	-	-	-
																						-	-	-	13	12	11	10	9	8	7	-	5	-	3	2	-
MX123 CONN ASSY 73 CKT GRY OPT9 KEY B/32	345667983	C-HSG-B9	G-CAP-9-P	TPA-B9	RS	LS	MAL	CPA	MSEAL	RSEAL	-	71	70	69	68	67	66	65	64	63	-	-	-	-	58	57	56	-	54	53							
											-	51	-	-	-	-	-	-	44	-	42	-	-	39	38	37	36	35	-	-							
																						32	31	-	-	28	27	26	25	24	23	-	-	-	-	-	-
																						-	-	-	13	12	11	10	9	8	7	-	5	-	3	2	1
MX123 CONN ASSY 73 CKT BLU OPT9 KEY C/39	345667993	C-HSG-C9	G-CAP-9-P	TPA-C9	RS	LS	MAL	CPA	MSEAL	RSEAL	72	71	-	-	68	-	-	65	-	63	62	-	-	59	58	-	56	55	-	53							
											-	-	-	-	-	-	-	-	-	43	42	-	40	39	38	-	36	35	-	-							
																						-	31	30	29	-	-	26	-	24	23	22	21	20	19	-	-
																						-	-	-	-	-	-	-	-	-	-	6	5	4	3	2	1
MX123 CONN ASSY 73 CKT BLK OPT0 KEY A/33	345668003	C-HSG-A0	G-CAP-0-P	TPA-A0	RS	LS	MAL	CPA	MSEAL	RSEAL	72	71	70	-	-	67	66	-	-	-	62	-	-	-	-	57	-	55	54	53							
											-	51	-	-	-	-	46	45	44	43	42	-	40	39	-	-	-	35	-	-							
																						-	-	-	-	-	-	26	25	-	-	22	21	-	-	-	-
																						-	15	14	-	-	-	-	-	8	7	6	5	4	3	2	-
MX123 CONN ASSY 73 CKT BLU OPT9 KEY C/38	345668013	C-HSG-C9	G-CAP-9-P	TPA-C9	RS	LS	MAL	CPA	MSEAL	RSEAL	72	-	70	69	68	-	66	-	-	63	62	-	-	-	58	-	56	55	-	53							
											-	-	-	49	-	-	46	-	-	43	42	-	40	-	38	-	36	35	-	-							
																						-	31	30	29	-	-	26	-	24	-	22	21	20	19	-	17
																						-	-	-	-	-	-	-	-	-	-	6	5	4	3	2	1
MX123 CONN ASSY 73 CKT BLU OPT9 KEY C/35	345668023	C-HSG-C9	G-CAP-9-P	TPA-C9	RS	LS	MAL	CPA	MSEAL	RSEAL	-	71	70	-	-	67	66	65	64	-	-	61	60	-	58	57	-	-	54	-							
											52	51	50	49	48	47	-	45	44	-	-	41	-	-	38	37	-	-	34	33							
																						32	-	-	-	28	27	-	25	-	-	-	-	-	-	18	17
																						16	15	14	13	12	11	10	9	-	-	-	-	-	-	-	-
MX123 CONN ASSY 73 CKT GRY OPT9 KEY B/39	345668033	C-HSG-B9	G-CAP-9-P	TPA-B9	RS	LS	MAL	CPA	MSEAL	RSEAL	72	-	-	-	68	-	-	-	-	-	62	61	60	59	-	-	-	55	-	53							
											52	-	-	-	48	47	46	-	44	43	-	41	40	-	38	37	36	35	-	-							
																						-	-	30	-	-	-	-	-	-	-	22	21	20	19	18	17
																						16	15	14	-	-	-	-	-	8	-	6	-	4	-	-	1
MX123 CONN ASSY 73 CKT BLK OPT9 KEY A/28	345668043	C-HSG-A9	G-CAP-9-P	TPA-A9	RS	LS	MAL	CPA	MSEAL	RSEAL	72	71	70	69	68	-	66	65	64	63	-	-	60	-	-	57	56	-	54	-							
											52	51	50	49	48	-	46	45	44	43	-	41	40	39	38	37	36	-	34	-							
																						32	31	30	29	28	-	-	-	-	23	22	21	-	-	-	-
																						-	15	14	13	12	-	-	-	-	7	6	5	-	-	2	-
MX123 CONN ASSY 73 CKT BLK OPT9 KEY A/27	345668053	C-HSG-A9	G-CAP-9-P	TPA-A9	RS	LS	MAL	CPA	MSEAL	RSEAL	-	71	70	69	-	-	-	65	64	63	62	61	60	-	58	57	56	55	54	53							
											52	51	50	49	48	47	-	45	44	43	42	41	-	39	-	37	36	-	34	-							
																						32	-	30	29	28	27	26	-	24	-	-	-	-	-	18	-
																						16	15	14	13	12	11	10	-	-	-	-	-	-	3	-	-
MX123 CONN ASSY 73 CKT BLU OPT9 KEY C/30	345668063	C-HSG-C9	G-CAP-9-P	TPA-C9	RS	LS	MAL	CPA	MSEAL	RSEAL	72	-	70	-	68	67	66	-	-	63	62	-	-	59	-	57	-	-	-	53							
											52	51	-	49	48	47	46	-	44	-	-	41	40	39	-	37	36	-	34	33							
																						32	-	30	-	-	27	26	25	24	-	22	21	20	-	-	-
																						-	15	14	13	-	-	10	9	8	-	6	5	4	-	2	-
MX123 CONN ASSY 73 CKT GRY OPT9 KEY B/21	345668073	C-HSG-B9	G-CAP-9-P	TPA-B9	RS	LS	MAL	CPA	MSEAL	RSEAL	72	71	70	-	68	67	66	-	-	-	62	61	60	59	58	57	56	55	54	53							
											52	51	50	-	48	47	46	-	-	-	42	41	40	39	38	37	36	35	34	33							
																						32	31	30	29	28	27	26	25	24	-	-	-	-	18	17	
																						16	15	14	13	-	-	10	-	8	-	-	-	-	3	2	1

ASSEMBLY DESCRIPTION	ASSEMBLY PART NUMBER	CONNECTOR HOUSING	GROMMET CAP	TPA	RIGHT SLIDE	LEFT SLIDE	MATE ASSIST LEVER	CPA	MAT SEAL	RING SEAL	BLOCKED TERMINALS																		STATUS	COMMENTS	INTEGRAL COMPONENTS SOLD SEPARATELY
											CAVITY WITH A NUMBER INDICATES BLOCKED TERMINAL POSITION																				DRESS COVER
											CAVITY WITHOUT A NUMBER INDICATES OPEN TERMINAL POSITION																				
MX123 CONN ASSY 73 CKT GRY OPT9 KEY B/11	345668083	C-HSG-B9	G-CAP-9-P	TPA-B9	RS	LS	MAL	CPA	MSEAL	RSEAL	72	71	70	69	68	67	66	65	64	63	-	61	60	-	-	57	56	55	-	-	
											52	51	50	49	48	47	46	45	44	43	-	41	40	-	38	37	36	35	34	33	
															32	31	30	29	28	-	26	25	24	23	22	21	20	19	18	17	
															16	15	14	13	12	11	-	-	8	7	6	5	4	3	2	1	
MX123 CONN ASSY 73 CKT BLK OPT9 KEY A/37	345668093	C-HSG-A9	G-CAP-9-P	TPA-A9	RS	LS	MAL	CPA	MSEAL	RSEAL	72	-	70	-	-	67	-	-	-	63	-	-	60	59	58	57	56	55	-	-	
											52	51	-	-	48	47	46	-	-	43	42	-	40	39	38	37	36	35	-	-	
															-	-	-	-	28	27	-	-	-	-	22	21	-	-	18	17	
															-	-	-	-	12	11	-	9	-	7	-	5	-	-	2	1	
MX123 CONN ASSY 73 CKT BLU OPT9 KEY C/34	345668113	C-HSG-C9	G-CAP-9-P	TPA-C9	RS	LS	MAL	CPA	MSEAL	RSEAL	72	71	70	69	-	67	66	65	64	-	-	-	-	-	-	56	-	54	-		
											52	51	50	49	-	47	46	45	44	-	-	-	-	39	38	-	-	-	34	-	
															-	31	30	29	28	-	26	25	-	23	22	21	-	-	-	17	
															16	15	14	13	12	-	-	9	-	7	6	-	-	-	-		
MX123 CONN ASSY 73 CKT BLU OPT0 KEY C/34	345668153	C-HSG-C0	G-CAP-0-P	TPA-C0	RS	LS	MAL	CPA	MSEAL	RSEAL	-	-	-	-	-	-	-	-	-	-	-	-	-	-	-	-	54	53			
											-	-	-	49	48	47	46	45	44	43	-	-	40	39	38	37	36	-	-	-	
															32	31	30	29	-	-	26	25	24	23	22	21	20	19	-	17	
															-	15	-	-	12	11	10	9	8	7	6	5	4	-	2	1	
MX123 CONN ASSY 73 CKT GRY OPT9 KEY B/36	345668163	C-HSG-B9	G-CAP-9-P	TPA-B9	RS	LS	MAL	CPA	MSEAL	RSEAL	72	71	70	69	-	-	66	65	-	-	62	61	60	-	-	57	56	-	-	53	
											52	51	50	49	48	-	-	-	-	-	42	41	40	-	-	37	36	-	34	33	
															-	-	-	-	-	-	26	25	24	-	-	21	20	-	18	-	
															16	-	14	-	-	-	-	-	8	7	-	5	-	3	2	-	
MX123 CONN ASSY 73 CKT GRY OPT0 KEY B/27	345668173	C-HSG-B0	G-CAP-0-P	TPA-B0	RS	LS	MAL	CPA	MSEAL	RSEAL	-	71	-	69	-	-	66	65	64	-	-	-	-	58	57	56	55	54	53		
											-	51	50	49	48	47	-	45	44	-	42	-	-	39	38	37	36	35	34	33	
															32	31	30	29	28	-	26	25	24	23	-	-	-	-	-	17	
															-	15	-	13	12	-	10	9	-	7	-	5	-	3	2	1	
MX123 CONN ASSY 73 CKT BLK OPT0 KEY A/42	345668203	C-HSG-A0	G-CAP-0-P	TPA-A0	RS	LS	MAL	CPA	MSEAL	RSEAL	72	71	-	69	68	-	-	65	64	63	62	61	60	59	-	57	-	-	-	53	
											52	51	50	49	48	-	46	45	-	-	-	-	40	-	38	-	-	35	-	33	
															32	-	-	29	28	-	26	-	-	23	22	-	-	-	-	17	
															16	15	14	-	12	11	10	9	8	7	-	-	-	-	2	-	
MX123 CONN ASSY 73 CKT BLK OPT9 KEY A/22	345668223	C-HSG-A9	G-CAP-9-P	TPA-A9	RS	LS	MAL	CPA	MSEAL	RSEAL	-	71	70	69	68	67	66	65	64	63	-	-	60	-	58	-	56	-	54	53	
											-	-	50	49	48	47	46	45	44	43	42	41	-	39	38	-	36	35	34	33	
															-	31	30	-	28	27	26	-	24	23	22	21	-	19	18	17	
															-	-	-	13	-	-	-	-	8	7	6	5	4	3	2	1	
MX123 CONN ASSY 73 CKT BLK OPT9 KEY A/43	345668293	C-HSG-A9	G-CAP-9-P	TPA-A9	RS	LS	MAL	CPA	MSEAL	RSEAL	72	-	-	-	-	-	-	-	64	-	62	61	-	-	-	57	56	55	54	53	
											52	51	-	-	-	-	46	45	-	43	-	41	40	-	-	37	-	-	-	-	
															32	-	30	29	-	27	-	25	-	-	-	-	20	-	-	-	
															16	15	-	13	-	11	10	9	-	-	-	-	4	-	-	-	
MX123 CONN ASSY 73 CKT BLK OPT0 KEY A/14	345668303	C-HSG-A0	G-CAP-0-P	TPA-A0	RS	LS	MAL	CPA	MSEAL	RSEAL	-	-	70	-	-	-	-	65	-	-	-	61	60	-	-	-	-	55	-	-	
											-	-	-	-	-	-	-	45	-	-	-	41	40	-	-	-	-	-	-	-	
															-	-	-	-	28	-	26	25	-	-	-	-	-	-	18	-	
															16	-	-	-	-	-	10	-	-	-	-	-	-	-	-	-	
MX123 CONN ASSY 73 CKT BLK OPT9 KEY A/41	345668313	C-HSG-A9	G-CAP-9-P	TPA-A9	RS	LS	MAL	CPA	MSEAL	RSEAL	72	-	-	-	68	-	-	-	64	-	62	61	-	-	-	57	56	55	54	53	
											52	51	-	-	-	-	46	45	-	43	-	40	-	-	37	-	-	-	-	-	
															32	-	30	29	-	27	-	25	-	-	-	-	20	-	-	-	
															16	15	14	13	-	11	10	9	-	-	-	5	4	-	-	-	
MX123 CONN ASSY 73 CKT BLK OPT9 KEY A/38	345668323	C-HSG-A9	G-CAP-9-P	TPA-A9	RS	LS	MAL	CPA	MSEAL	RSEAL	72	-	-	-	-	-	-	-	64	-	62	61	-	59	58	57	56	55	54	-	
											52	51	-	-	48	-	46	45	-	43	-	41	40	-	-	37	-	35	34	-	
															32	-	30	29	-	27	-	25	-	-	-	-	20	-	-	-	
															16	15	-	13	-	11	10	9	-	-	-	-	4	3	-	-	

ASSEMBLY DESCRIPTION	ASSEMBLY PART NUMBER	CONNECTOR HOUSING	GROMMET CAP	TPA	RIGHT SLIDE	LEFT SLIDE	MATE ASSIST LEVER	CPA	MAT SEAL	RING SEAL	BLOCKED TERMINALS																		STATUS	COMMENTS	INTEGRAL COMPONENTS SOLD SEPARATELY				
											CAVITY WITH A NUMBER INDICATES BLOCKED TERMINAL POSITION																				DRESS COVER				
											CAVITY WITHOUT A NUMBER INDICATES OPEN TERMINAL POSITION																								
MX123 CONN ASSY 73 CKT BLK OPT9 KEY A/42	345668333	C-HSG-A9	G-CAP-9-P	TPA-A9	RS	LS	MAL	CPA	MSEAL	RSEAL	72	-	-	-	-	-	-	-	-	-	64	-	62	61	-	59	-	57	56	55	54	-	SALEABLE		345650003
											52	51	-	-	-	-	-	-	46	45	-	43	-	-	40	-	-	37	-	35	34	-			
																	32	-	30	29	-	27	-	25	-	-	-	20	-	-	-				
						16	15	-	13	-	11	10	9	-	-	-	-	4	-	-	-														
MX123 CONN ASSY 73 CKT BLK OPT9 KEY A/40	345668343	C-HSG-A9	G-CAP-9-P	TPA-A9	RS	LS	MAL	CPA	MSEAL	RSEAL	72	-	-	-	-	-	-	-	-	-	64	-	62	61	-	-	58	57	56	55	54	53	SALEABLE		345650003
											52	51	-	-	48	-	46	45	-	43	-	41	40	-	-	37	-	-	-						
																	32	-	30	29	-	27	-	25	-	-	-	20	-	-	-				
						16	15	-	13	-	11	10	9	-	-	-	-	4	3	-	-														
MX123 CONN ASSY 73 CKT BLK OPT9 KEY A/31	345668353	C-HSG-A9	G-CAP-9-P	TPA-A9	RS	LS	MAL	CPA	MSEAL	RSEAL	-	71	70	69	68	67	66	65	-	63	-	-	60	59	58	-	-	-	-	-	SALEABLE		345650003		
											-	-	50	49	48	47	-	-	44	-	42	-	-	39	38	-	36	35	34	33					
																	-	31	-	-	28	-	26	-	24	23	22	21	-	19				18	17
						-	-	14	-	12	-	-	-	8	7	6	5	-	3	2	1														
MX123 CONN ASSY 73 CKT BLK OPT9 KEY A/33	345668363	C-HSG-A9	G-CAP-9-P	TPA-A9	RS	LS	MAL	CPA	MSEAL	RSEAL	-	71	70	69	-	67	66	65	-	63	-	-	60	59	58	-	-	-	-	-	SALEABLE		345650003		
											-	-	50	49	48	47	-	-	44	-	42	41	-	39	38	-	36	35	34	33					
																	-	31	-	-	28	-	26	-	24	23	22	21	-	19				18	17
						-	-	-	-	12	-	-	-	8	7	6	-	-	3	2	1														
MX123 CONN ASSY 73 CKT BLK OPT9 KEY A/36	345668373	C-HSG-A9	G-CAP-9-P	TPA-A9	RS	LS	MAL	CPA	MSEAL	RSEAL	-	71	70	69	68	67	66	65	-	63	-	-	60	-	-	-	-	-	-	53	SALEABLE		345650003		
											-	-	50	49	-	47	-	-	44	-	42	-	-	39	38	-	36	-	-	33					
																	-	31	-	-	28	-	26	-	24	23	22	21	-	19				18	17
						-	-	14	-	12	-	-	-	8	7	6	5	-	-	2	1														
MX123 CONN ASSY 73 CKT BLK OPT9 KEY A/32	345668383	C-HSG-A9	G-CAP-9-P	TPA-A9	RS	LS	MAL	CPA	MSEAL	RSEAL	-	71	70	69	68	67	66	65	-	63	-	-	60	-	58	-	-	-	-	53	SALEABLE		345650003		
											-	-	50	49	48	47	-	-	44	-	42	41	-	39	38	-	36	-	-	33					
																	-	31	-	-	28	-	26	-	24	23	22	21	-	19				18	17
						-	-	14	-	12	-	-	-	8	7	6	5	-	-	2	1														
MX123 CONN ASSY 73 CKT BLK OPT0 KEY A/44	345668393	C-HSG-A0	G-CAP-0-P	TPA-A0	RS	LS	MAL	CPA	MSEAL	RSEAL	-	71	-	69	68	67	66	65	64	-	-	61	60	59	58	57	-	-	-	-	SALEABLE		345650003		
											-	-	50	-	-	47	46	45	44	-	42	41	40	39	38	37	-	-	-	-					
																	32	-	-	-	-	-	26	25	-	-	-	-	-	-				-	-
						-	-	-	-	-	11	-	-	-	-	-	5	4	-	-	-														
MX123 CONN ASSY 73 CKT GRY OPT0 KEY B/48	345668403	C-HSG-B0	G-CAP-0-P	TPA-B0	RS	LS	MAL	CPA	MSEAL	RSEAL	72	71	70	69	68	67	66	-	-	63	62	61	60	-	58	-	56	-	54	-	SALEABLE		345650003		
											52	51	-	-	-	47	-	45	44	43	42	41	40	-	38	-	36	-	34	-					
																	-	31	30	-	28	27	26	25	-	-	22	-	20	19				18	17
						16	-	14	13	12	11	10	9	8	-	-	-	-	-	2	1														
MX123 CONN ASSY 73 CKT BLK OPT0 KEY A/43	345668413	C-HSG-A0	G-CAP-0-P	TPA-A0	RS	LS	MAL	CPA	MSEAL	RSEAL	-	71	-	69	68	67	66	65	64	-	-	61	60	59	58	57	-	-	-	-	SALEABLE		345650003		
											-	-	50	-	-	47	46	45	44	-	42	41	40	39	38	37	-	-	-	-					
																	32	-	-	-	-	-	26	25	-	-	-	-	-	-				-	-
						-	-	-	13	-	11	-	-	-	-	-	5	4	-	-	-														
MX123 CONN ASSY 73 CKT BLU OPT0 KEY C/36	345668423	C-HSG-C0	G-CAP-0-P	TPA-C0	RS	LS	MAL	CPA	MSEAL	RSEAL	72	71	70	-	68	-	66	65	-	63	-	-	-	59	58	-	56	55	-	53	SALEABLE		345650003		
											-	-	-	-	-	47	-	-	-	43	-	-	40	39	38	-	36	35	-	-					
																	32	31	30	29	-	-	-	-	24	23	22	21	20	19				18	17
						-	-	-	-	-	-	-	-	-	-	6	5	4	3	2	1														
MX123 CONN ASSY 73 CKT BLU OPT0 KEY C/45	345668443	C-HSG-C0	G-CAP-0-P	TPA-C0	RS	LS	MAL	CPA	MSEAL	RSEAL	72	-	-	69	68	-	-	-	-	63	62	-	-	-	-	-	56	55	-	53	SALEABLE		345650003		
											-	-	-	49	-	-	46	-	-	43	42	-	40	-	-	-	36	35	-	-					
																	-	31	30	29	-	-	26	-	24	-	22	21	20	19				-	-
						-	-	-	-	-	-	-	-	-	-	-	4	3	2	1															
MX123 CONN ASSY 73 CKT BLK OPT0 KEY A/48	345668453	C-HSG-A0	G-CAP-0-P	TPA-A0	RS	LS	MAL	CPA	MSEAL	RSEAL	-	-	-	-	-	67	-	-	-	-	62	61	-	59	58	-	-	55	-	53	SALEABLE		345650003		
											-	-	-	-	-	47	-	-	-	-	41	-	-	-	-	35	-	33	-	-					
																	-	-	-	-	-	27	26	25	24	-	-	-	-	19				18	17
						16	-	-	-	-	11	10	9	8	-	-	-	-	3	-	1														

ASSEMBLY DESCRIPTION	ASSEMBLY PART NUMBER	CONNECTOR HOUSING	GROMMET CAP	TPA	RIGHT SLIDE	LEFT SLIDE	MATE ASSIST LEVER	CPA	MAT SEAL	RING SEAL	BLOCKED TERMINALS																		STATUS	COMMENTS	INTEGRAL COMPONENTS SOLD SEPARATELY		
											CAVITY WITH A NUMBER INDICATES BLOCKED TERMINAL POSITION																				DRESS COVER		
											CAVITY WITHOUT A NUMBER INDICATES OPEN TERMINAL POSITION																						
MX123 CONN ASSY 73 CKT GRY OPT0 KEY B/34	345668463	C-HSG-B0	G-CAP-0-P	TPA-B0	RS	LS	MAL	CPA	MSEAL	RSEAL	-	71	-	69	-	67	66	65	64	63	-	-	-	-	58	57	56	-	54	53	SALEABLE		345650003
											-	51	50	49	-	-	-	45	-	-	42	-	-	39	-	-	-	-	34	33			
											-																		32	31			
MX123 CONN ASSY 73 CKT BLU OPT0 KEY C/49	345668473	C-HSG-C0	G-CAP-0-P	TPA-C0	RS	LS	MAL	CPA	MSEAL	RSEAL	72	-	-	69	68	-	-	-	-	63	-	-	-	59	-	-	56	-	-	53	SALEABLE		345650003
											-	-	-	-	-	-	46	-	-	43	-	-	40	39	-	-	36	-	-				
											-																		-	31			
MX123 CONN ASSY 73 CKT BLK OPT0 KEY A/51	345668483	C-HSG-A0	G-CAP-0-P	TPA-A0	RS	LS	MAL	CPA	MSEAL	RSEAL	-	-	-	-	-	67	-	-	-	-	62	-	-	59	58	-	-	55	-	-	SALEABLE		345650003
											-	-	-	-	-	47	-	-	-	-	-	41	-	-	-	-	35	-	-				
											-																		-	-			
MX123 CONN ASSY 73 CKT GRY OPT0 KEY B/31	345668493	C-HSG-B0	G-CAP-0-P	TPA-B0	RS	LS	MAL	CPA	MSEAL	RSEAL	-	71	-	69	-	-	66	65	64	63	-	-	-	-	58	57	56	-	54	53	SALEABLE		345650003
											-	51	50	49	-	-	-	45	-	-	42	41	-	39	38	37	36	35	34	-			
											-																		32	31			
MX123 CONN ASSY 73 CKT GRY OPT0 KEY B/27	345668503	C-HSG-B0	G-CAP-0-P	TPA-B0	RS	LS	MAL	CPA	MSEAL	RSEAL	-	-	-	-	-	-	-	-	-	-	-	61	-	-	58	57	56	-	-	-	SALEABLE		345650003
											-	51	50	-	-	47	46	45	-	-	-	41	40	-	38	37	36	-	-	-			
											-																		-	31			
MX123 CONN ASSY 73 CKT BLK OPT9 KEY A/48	345668513	C-HSG-A9	G-CAP-9-P	TPA-A9	RS	LS	MAL	CPA	MSEAL	RSEAL	-	-	-	-	-	67	-	-	-	-	62	-	-	59	58	-	-	55	-	-	SALEABLE		345650003
											-	-	-	-	-	47	-	-	-	-	42	41	-	-	-	-	35	-	-				
											-																		-	-			
MX123 CONN ASSY 73 CKT GRY OPT9 KEY B/27	345668523	C-HSG-B9	G-CAP-9-P	TPA-B9	RS	LS	MAL	CPA	MSEAL	RSEAL	-	71	-	69	-	67	66	65	64	63	-	-	60	59	58	57	56	-	54	53	SALEABLE		345650003
											-	51	50	49	-	-	-	45	44	-	42	41	-	39	38	37	36	35	34	33			
											-																		32	31			
MX123 CONN ASSY 73 CKT BLU OPT9 KEY C/35	345668533	C-HSG-C9	G-CAP-9-P	TPA-C9	RS	LS	MAL	CPA	MSEAL	RSEAL	72	71	-	69	68	-	-	-	-	63	62	-	-	59	58	-	56	55	-	53	SALEABLE		345650003
											-	-	-	-	-	-	46	-	-	43	42	-	40	39	38	-	36	35	-	-			
											-																		-	31			
MX123 CONN ASSY 73 CKT BLU OPT9 KEY C/35	345668543	C-HSG-C9	G-CAP-9-P	TPA-C9	RS	LS	MAL	CPA	MSEAL	RSEAL	72	-	70	-	68	-	-	-	-	63	62	61	-	59	58	-	56	55	-	53	SALEABLE		345650003
											-	-	-	-	-	-	-	-	-	43	42	41	40	39	38	-	36	35	-	-			
											-																		-	31			
MX123 CONN ASSY 73 CKT GRY OPT0 KEY B/22	345668553	C-HSG-B0	G-CAP-0-P	TPA-B0	RS	LS	MAL	CPA	MSEAL	RSEAL	-	71	70	69	-	67	66	65	64	63	-	-	-	-	58	57	56	-	54	53	SALEABLE		345650003
											-	51	50	49	48	47	-	45	44	-	42	-	-	39	38	37	36	35	34	33			
											-																		32	31			
MX123 CONN ASSY 73 CKT BLK OPT0 KEY A/35	345668563	C-HSG-A0	G-CAP-0-P	TPA-A0	RS	LS	MAL	CPA	MSEAL	RSEAL	-	71	-	69	68	-	66	65	64	-	62	61	-	-	-	-	-	54	53	SALEABLE		345650003	
											-	-	50	49	-	-	-	45	44	-	41	-	-	-	-	-	-	-	34				33
											-																		32				31
MX123 CONN ASSY 73 CKT GRY OPT0 KEY B/59	345668573	C-HSG-B0	G-CAP-0-P	TPA-B0	RS	LS	MAL	CPA	MSEAL	RSEAL	-	-	-	-	-	-	-	-	-	-	62	-	-	-	58	-	-	54	53	SALEABLE		345650003	
											-	-	-	-	-	-	-	-	-	-	42	-	-	-	-	-	-	-	34				-
											-																		-				-

ASSEMBLY DESCRIPTION	ASSEMBLY PART NUMBER	CONNECTOR HOUSING	GROMMET CAP	TPA	RIGHT SLIDE	LEFT SLIDE	MATE ASSIST LEVER	CPA	MAT SEAL	RING SEAL	BLOCKED TERMINALS																				STATUS	COMMENTS	INTEGRAL COMPONENTS SOLD SEPARATELY		
											CAVITY WITH A NUMBER INDICATES BLOCKED TERMINAL POSITION																						DRESS COVER		
											CAVITY WITHOUT A NUMBER INDICATES OPEN TERMINAL POSITION																								
MX123 CONN ASSY 73 CKT BLU OPT0 KEY C/44	345668583	C-HSG-C0	G-CAP-0-P	TPA-C0	RS	LS	MAL	CPA	MSEAL	RSEAL	-	-	-	-	68	-	-	-	-	63	62	61	-	59	58	57	-	55	-	53	SALEABLE		345650003		
											-	-	-	-	48	-	-	-	-	43	42	41	-	-	-	37	36	35	-	33					
															32	-	-	29	-	27	-	-	-	-	-	20	19	18	-						
															-	-	-	-	-	11	10	-	-	-	-	4	3	2	1						
MX123 CONN ASSY 73 CKT GRY OPT0 KEY B/32	345668593	C-HSG-B0	G-CAP-0-P	TPA-B0	RS	LS	MAL	CPA	MSEAL	RSEAL	-	71	70	69	-	67	66	65	64	63	-	-	-	-	58	57	56	-	54	53	SALEABLE		345650003		
											-	51	50	49	-	-	-	45	44	-	42	-	-	39	-	-	-	-	34	33					
															32	31	-	29	28	27	26	25	24	23	-	-	-	-	-	17					
															-	-	-	13	12	11	10	9	-	7	-	5	-	3	2	-					
MX123 CONN ASSY 73 CKT BLK OPT0 KEY A/47	345668603	C-HSG-A0	G-CAP-0-P	TPA-A0	RS	LS	MAL	CPA	MSEAL	RSEAL	72	71	70	-	-	67	-	65	64	63	62	61	60	-	58	-	56	-	54	-	SALEABLE		345650003		
											52	51	50	-	-	47	-	45	-	43	42	41	40	-	-	-	36	-	34	-					
															32	31	30	-	-	27	26	25	24	-	22	-	20	19	-	-					
															16	15	14	13	-	-	-	9	8	-	6	5	4	3	2	1					
MX123 CONN ASSY 73 CKT BLU OPT0 KEY C/43	345668613	C-HSG-C0	G-CAP-0-P	TPA-C0	RS	LS	MAL	CPA	MSEAL	RSEAL	72	-	-	69	68	-	-	-	-	63	62	-	-	-	-	56	55	-	53	SALEABLE		345650003			
											-	-	-	49	-	-	46	-	-	43	42	-	40	-	-	-	36	35	-				-		
															-	31	30	29	-	-	26	-	24	-	22	21	20	19	-				-		
															-	-	-	-	-	-	-	-	-	-	6	5	4	3	2				1		
MX123 CONN ASSY 73 CKT BLU OPT9 KEY C/31	345668623	C-HSG-C9	G-CAP-9-P	TPA-C9	RS	LS	MAL	CPA	MSEAL	RSEAL	72	71	70	69	-	67	66	-	64	-	-	-	60	-	-	-	-	54	-	SALEABLE		345650003			
											52	51	50	49	-	47	46	-	44	-	-	-	40	39	38	-	-	-	-				-		
															-	-	30	29	28	27	26	25	24	23	22	21	-	-	-				17		
															16	15	14	13	12	11	10	9	8	7	6	5	-	-	-				-		
MX123 CONN ASSY 73 CKT GRY OPT0 KEY B/22	345668633	C-HSG-B0	G-CAP-0-P	TPA-B0	RS	LS	MAL	CPA	MSEAL	RSEAL	-	71	70	69	68	67	66	65	64	63	-	-	60	59	58	57	56	55	54	53	SALEABLE		345650003		
											-	51	50	49	-	-	-	45	44	-	42	41	-	39	38	37	36	35	34	33					
															32	31	-	29	28	27	26	25	24	23	-	-	-	-	-	-				-	
															-	-	-	13	12	11	10	9	8	7	-	5	-	3	2	1					
MX123 CONN ASSY 73 CKT BLU OPT0 KEY C/37	345668643	C-HSG-C0	G-CAP-0-P	TPA-C0	RS	LS	MAL	CPA	MSEAL	RSEAL	72	-	-	69	68	-	-	65	-	63	62	-	-	59	58	-	56	55	-	53	SALEABLE		345650003		
											-	-	-	-	-	47	46	-	-	43	42	-	40	39	38	-	36	35	-	-					
															-	31	30	29	-	-	26	-	24	23	22	21	20	19	-	-					
															-	-	-	-	-	-	-	-	-	-	6	5	4	3	2	1					
MX123 CONN ASSY 73 CKT BLU OPT9 KEY C/36	345668653	C-HSG-C9	G-CAP-9-P	TPA-C9	RS	LS	MAL	CPA	MSEAL	RSEAL	72	-	70	-	68	-	-	-	-	62	-	-	59	58	-	56	55	54	53	SALEABLE		345650003			
											-	-	-	49	-	-	-	-	44	-	42	-	40	39	38	-	36	35	-				-		
															32	31	30	29	-	-	26	-	24	23	22	21	20	19	18				17		
															-	-	-	-	-	-	-	-	-	-	6	5	4	3	2				1		
MX123 CONN ASSY 73 CKT GRY OPT0 KEY B/46	345668663	C-HSG-B0	G-CAP-0-P	TPA-B0	RS	LS	MAL	CPA	MSEAL	RSEAL	-	-	-	-	68	67	66	65	-	-	62	-	-	59	-	-	-	54	53	SALEABLE		345650003			
											-	-	-	-	48	47	46	45	44	-	42	41	40	39	-	-	-	35	34				-		
															-	31	-	-	-	27	-	-	-	-	-	-	-	19	18				17		
															-	-	-	-	-	-	-	-	-	-	-	-	3	2	1						
MX123 CONN ASSY 73 CKT NAT OPT0 KEY F/45	345668673	C-HSG-F0	G-CAP-0-P	TPA-F0	RS	LS	MAL	CPA	MSEAL	RSEAL	-	71	-	69	-	-	-	65	64	-	-	61	60	-	58	-	56	55	54	-	SALEABLE		345650003		
											-	-	50	-	-	-	-	45	-	43	42	-	-	-	38	-	-	-	-	-					
															-	31	-	29	28	-	-	-	-	23	-	-	-	19	18	17					
															16	-	-	-	12	11	-	-	-	7	-	-	-	3	-	1					
MX123 CONN ASSY 73 CKT GRY OPT0 KEY B/45	345668683	C-HSG-B0	G-CAP-0-P	TPA-B0	RS	LS	MAL	CPA	MSEAL	RSEAL	-	71	-	69	-	-	-	65	64	-	-	61	60	-	58	-	56	55	54	-	SALEABLE		345650003		
											-	-	50	-	-	-	-	45	-	43	42	-	-	-	38	-	-	-	-	-					
															-	31	-	29	28	-	-	-	-	23	-	-	-	19	18	17					
															16	-	-	-	12	11	-	-	-	7	-	-	-	3	-	1					
MX123 CONN ASSY 73 CKT BLK OPT0 KEY A/45	345668693	C-HSG-A0	G-CAP-0-P	TPA-A0	RS	LS	MAL	CPA	MSEAL	RSEAL	-	71	-	69	-	-	-	65	64	-	-	61	60	-	58	-	56	55	54	-	SALEABLE		345650003		
											-	-	50	-	-	-	-	45	-	43	42	-	-	-	38	-	-	-	-	-					
															-	31	-	29	28	-	-	-	-	23	-	-	-	19	18	17					
															16	-	-	-	12	11	-	-	-	7	-	-	-	3	-	1					

ASSEMBLY DESCRIPTION	ASSEMBLY PART NUMBER	CONNECTOR HOUSING	GROMMET CAP	TPA	RIGHT SLIDE	LEFT SLIDE	MATE ASSIST LEVER	CPA	MAT SEAL	RING SEAL	BLOCKED TERMINALS																		STATUS	COMMENTS	INTEGRAL COMPONENTS SOLD SEPARATELY						
											CAVITY WITH A NUMBER INDICATES BLOCKED TERMINAL POSITION																				DRESS COVER						
											CAVITY WITHOUT A NUMBER INDICATES OPEN TERMINAL POSITION																										
MX123 CONN ASSY 73 CKT GRY OPT0 KEY B/42	345668703	C-HSG-B0	G-CAP-0-P	TPA-B0	RS	LS	MAL	CPA	MSEAL	RSEAL	72	71	70	-	-	67	-	65	-	63	62	61	60	-	58	-	56	-	54	-							
											52	51	-	-	-	-	46	45	-	43	42	41	40	-	38	-	36	-	34	-							
																						32	31	30	-	-	27	26	25	24	-	22	-	20	19	18	-
																						16	-	14	13	-	-	-	9	8	-	-	-	-	-	2	1
MX123 CONN ASSY 73 CKT GRY OPT9 KEY B/46	345668713	C-HSG-B9	G-CAP-9-P	TPA-B9	RS	LS	MAL	CPA	MSEAL	RSEAL	-	-	-	-	68	67	66	65	-	-	62	-	-	59	-	-	-	-	54	53							
											-	-	-	-	48	47	46	45	44	-	42	41	40	39	-	-	-	35	34	-							
																						-	31	-	-	-	27	-	-	-	-	-	-	-	19	18	17
																						-	-	-	-	-	-	-	-	-	-	-	-	-	3	2	1
MX123 CONN ASSY 73 CKT BLU OPT0 KEY C/36	345668723	C-HSG-C0	G-CAP-0-P	TPA-C0	RS	LS	MAL	CPA	MSEAL	RSEAL	72	-	-	69	68	67	-	65	-	63	62	-	-	59	58	-	56	55	-	53							
											-	-	-	-	-	47	46	-	-	43	42	-	40	39	38	-	36	35	-	-							
																						-	31	30	29	-	-	26	-	24	23	22	21	20	19	-	-
																						-	-	-	-	-	-	-	-	-	-	6	5	4	3	2	1
MX123 CONN ASSY 73 CKT BLK OPT0 KEY A/49	345668733	C-HSG-A0	G-CAP-0-P	TPA-A0	RS	LS	MAL	CPA	MSEAL	RSEAL	-	-	-	-	-	67	-	-	-	-	62	61	-	59	58	-	-	55	-	53							
											-	-	-	-	-	47	-	-	-	-	-	41	-	-	-	-	-	35	-	33							
																						-	-	-	-	-	27	26	25	24	-	-	-	-	19	18	17
																						16	-	-	-	-	11	10	9	8	-	-	-	-	-	-	1
MX123 CONN ASSY 73 CKT BLU OPT0 KEY C/41	345668743	C-HSG-C0	G-CAP-0-P	TPA-C0	RS	LS	MAL	CPA	MSEAL	RSEAL	-	-	-	-	68	-	-	65	-	63	62	61	60	59	58	57	56	55	-	53							
											-	-	-	-	48	-	-	45	-	43	42	41	40	-	-	37	36	35	34	33							
																						32	31	-	-	-	-	-	-	-	-	-	-	20	19	18	-
																						-	-	-	-	-	-	-	-	-	-	-	-	4	3	2	1
MX123 CONN ASSY 73 CKT GRY OPT0 KEY B/56	345668753	C-HSG-B0	G-CAP-0-P	TPA-B0	RS	LS	MAL	CPA	MSEAL	RSEAL	-	-	-	-	-	-	-	-	-	-	62	-	-	59	-	-	-	-	-								
											-	-	-	-	-	-	-	-	-	-	42	41	-	39	38	-	-	-	-	-							
																						-	31	-	-	-	27	-	-	-	23	22	-	20	-	18	17
																						-	15	-	-	-	-	-	-	-	7	-	-	4	3	-	-
MX123 CONN ASSY 73 CKT BLK OPT0 KEY A/45	345668763	C-HSG-A0	G-CAP-0-P	TPA-A0	RS	LS	MAL	CPA	MSEAL	RSEAL	-	-	-	69	68	-	-	65	64	63	62	61	60	-	-	-	-	-	-								
											-	-	-	49	48	-	-	45	44	43	42	41	40	-	38	-	-	-	34	-							
																						-	-	-	-	-	-	-	25	24	23	22	-	20	19	-	-
																						-	-	-	-	-	-	-	9	-	-	6	5	4	-	-	-
MX123 CONN ASSY 73 CKT GRY OPT9 KEY B/29	345668773	C-HSG-B9	G-CAP-9-P	TPA-B9	RS	LS	MAL	CPA	MSEAL	RSEAL	-	71	-	69	-	67	66	65	64	63	-	-	-	-	58	57	56	-	54	53							
											-	51	50	49	-	-	-	45	44	-	42	41	-	39	38	37	36	35	34	33							
																						32	31	-	29	28	27	26	25	24	23	-	-	-	-	-	-
																						-	-	-	13	12	11	10	9	-	7	-	5	-	3	-	1
MX123 CONN ASSY 73 CKT BLK OPT9 KEY A/48	345668783	C-HSG-A9	G-CAP-9-P	TPA-A9	RS	LS	MAL	CPA	MSEAL	RSEAL	-	-	-	-	-	67	-	-	-	-	62	-	-	59	58	-	-	55	-	-							
											-	-	-	-	-	47	-	-	-	-	42	41	-	-	-	-	-	35	-	-							
																						-	-	-	-	-	27	26	25	24	-	-	-	20	19	18	17
																						16	-	-	-	-	11	10	9	8	-	-	-	4	3	-	1
MX123 CONN ASSY 73 CKT BLU OPT9 KEY C/38	345668793	C-HSG-C9	G-CAP-9-P	TPA-C9	RS	LS	MAL	CPA	MSEAL	RSEAL	72	-	-	69	68	-	-	-	64	63	62	-	-	59	58	-	56	55	-	53							
											-	-	-	-	-	-	46	-	-	43	42	-	40	39	38	-	36	35	-	-							
																						-	31	30	29	-	-	26	-	24	23	22	21	20	19	-	-
																						-	-	-	-	-	-	-	-	-	-	6	5	4	3	2	1
MX123 CONN ASSY 73 CKT GRY OPT0 KEY B/34	345668803	C-HSG-B0	G-CAP-0-P	TPA-B0	RS	LS	MAL	CPA	MSEAL	RSEAL	72	71	70	69	-	-	-	-	64	63	62	61	60	-	-	-	56	55	-	-							
											52	-	-	-	-	47	-	-	44	-	-	41	-	-	-	-	36	35	34	-							
																						-	-	-	29	28	27	-	25	-	-	-	21	-	19	18	17
																						-	15	14	-	12	11	-	-	-	-	-	-	-	3	2	1
MX123 CONN ASSY 73 CKT GRY OPT9 KEY B/61	345668813	C-HSG-B9	G-CAP-9-P	TPA-B9	RS	LS	MAL	CPA	MSEAL	RSEAL	-	-	-	-	-	-	66	-	-	-	62	-	-	-	58	-	-	-	-								
											-	-	-	-	-	-	-	-	-	-	41	-	-	38	37	-	-	-	-								
																						-	-	-	-	-	-	-	-	-	-	-	20	19	18	17	
																						-	-	-	-	-	-	-	-	-	-	-	5	-	-	-	1

ASSEMBLY DESCRIPTION	ASSEMBLY PART NUMBER	CONNECTOR HOUSING	GROMMET CAP	TPA	RIGHT SLIDE	LEFT SLIDE	MATE ASSIST LEVER	CPA	MAT SEAL	RING SEAL	BLOCKED TERMINALS																				STATUS	COMMENTS	INTEGRAL COMPONENTS SOLD SEPARATELY				
											CAVITY WITH A NUMBER INDICATES BLOCKED TERMINAL POSITION																						DRESS COVER				
											CAVITY WITHOUT A NUMBER INDICATES OPEN TERMINAL POSITION																										
MX123 CONN ASSY 73 CKT BLU OPT9 KEY C/42	345668823	C-HSG-C9	G-CAP-9-P	TPA-C9	RS	LS	MAL	CPA	MSEAL	RSEAL	-	-	-	-	68	-	-	65	-	63	62	61	-	59	58	57	56	55	-	53	SALEABLE		345650003				
											-	-	-	-	48	-	-	45	-	43	42	41	-	-	38	37	36	35	34	33							
															32	31	-	-	-	-	-	-	-	-	-	-	-	20	19	18				-			
															-	-	-	-	-	-	-	-	-	-	-	-	-	-	4	3				2	1		
MX123 CONN ASSY 73 CKT BLU OPT9 KEY C/49	345668833	C-HSG-C9	G-CAP-9-P	TPA-C9	RS	LS	MAL	CPA	MSEAL	RSEAL	-	71	-	69	-	-	-	65	64	-	-	61	60	-	58	-	56	55	-	-	SALEABLE		345650003				
											-	-	50	-	-	-	-	45	-	43	42	-	-	-	38	-	-	-	-	-							
															-	31	-	29	28	-	-	-	-	23	-	-	-	19	18	-				-			
															16	-	-	-	12	11	-	-	-	-	-	-	-	-	3	-				-	-		
MX123 CONN ASSY 73 CKT BLU OPT0 KEY C/42	345668843	C-HSG-C0	G-CAP-0-P	TPA-C0	RS	LS	MAL	CPA	MSEAL	RSEAL	-	-	-	-	68	-	-	65	-	63	62	61	60	59	58	57	56	55	-	53	SALEABLE		345650003				
											-	-	-	-	48	-	-	45	-	43	42	-	40	-	-	37	36	35	34	33							
															32	31	-	-	-	-	-	-	-	-	-	-	20	19	18	-				-			
															-	-	-	-	-	-	-	-	-	-	-	-	-	4	3	2				1			
MX123 CONN ASSY 73 CKT GRY OPT0 KEY B/36	345668853	C-HSG-B0	G-CAP-0-P	TPA-B0	RS	LS	MAL	CPA	MSEAL	RSEAL	-	71	70	69	-	-	66	65	64	-	-	-	-	-	58	57	56	-	54	53	SALEABLE		345650003				
											-	51	50	49	-	-	-	45	-	-	42	-	-	39	-	-	-	-	-	34				33			
															32	31	-	29	28	-	26	25	24	23	-	-	-	-	-	-				17	-		
															-	15	-	13	12	-	10	9	-	7	-	5	-	3	2	-				-	-		
MX123 CONN ASSY 73 CKT GRY OPT0 KEY B/44	345668863	C-HSG-B0	G-CAP-0-P	TPA-B0	RS	LS	MAL	CPA	MSEAL	RSEAL	-	-	-	-	68	67	66	65	-	-	62	-	60	59	-	-	-	-	54	53	SALEABLE		345650003				
											-	-	-	-	48	47	46	45	44	-	42	41	40	39	-	-	-	35	34	-				-			
															-	31	-	-	-	27	-	-	-	-	-	-	-	19	18	17				-	-		
															-	15	-	-	-	-	-	-	-	-	-	-	-	-	3	2				1	-	-	
MX123 CONN ASSY 73 CKT GRY OPT0 KEY B/46	345668873	C-HSG-B0	G-CAP-0-P	TPA-B0	RS	LS	MAL	CPA	MSEAL	RSEAL	-	-	-	-	68	67	66	65	-	-	62	-	60	59	-	-	-	-	54	53	SALEABLE		345650003				
											-	-	-	-	48	47	46	45	44	-	42	41	40	39	-	-	-	35	34	-				-			
															-	-	-	-	-	27	-	-	-	-	-	-	-	19	18	17				-	-		
															-	-	-	-	-	-	-	-	-	-	-	-	-	-	3	2				1	-	-	
MX123 CONN ASSY 73 CKT GRY OPT0 KEY B/69	345668883	C-HSG-B0	G-CAP-0-P	TPA-B0	RS	LS	MAL	CPA	MSEAL	RSEAL	-	-	-	-	-	-	-	-	-	-	62	-	-	-	-	-	-	-	54	53	SALEABLE		345650003				
											-	-	-	-	-	-	-	-	-	-	42	-	-	-	-	-	-	-	-	-				-			
															-	-	-	-	-	-	-	-	-	-	-	-	-	-	-	-				-	-		
															-	-	-	-	-	-	-	-	-	-	-	-	-	-	-	-				-	-	-	
MX123 CONN ASSY 73 CKT BLK OPT0 KEY A/41	345668893	C-HSG-A0	G-CAP-0-P	TPA-A0	RS	LS	MAL	CPA	MSEAL	RSEAL	-	71	-	69	68	-	-	-	64	-	62	61	-	-	-	-	-	-	54	53	SALEABLE		345650003				
											-	-	50	-	-	-	-	44	-	-	41	-	-	-	-	-	-	-	34	33				-	-		
															32	31	30	29	-	-	26	25	24	-	-	-	20	19	-	-				-	-		
															16	15	14	13	-	-	10	-	8	-	6	5	4	3	-	-				-	-	-	
MX123 CONN ASSY 73 CKT BLK OPT0 KEY A/48	345668913	C-HSG-A0	G-CAP-0-P	TPA-A0	RS	LS	MAL	CPA	MSEAL	RSEAL	-	-	-	-	-	67	-	-	-	-	62	61	-	59	58	-	-	55	-	53	SALEABLE		345650003				
											-	-	-	-	-	47	-	-	-	-	-	-	-	-	-	-	-	35	-	33				-	-		
															-	-	-	-	-	27	26	25	24	-	-	-	20	19	18	17				-	-		
															16	-	-	-	-	11	10	9	8	-	-	-	4	3	-	-				-	-	-	
MX123 CONN ASSY 73 CKT BLK OPT0 KEY A/52	345668923	C-HSG-A0	G-CAP-0-P	TPA-A0	RS	LS	MAL	CPA	MSEAL	RSEAL	72	-	-	-	-	-	66	65	-	-	-	-	-	-	58	-	-	-	-	-	SALEABLE		345650003				
											-	-	-	-	48	47	-	-	-	-	-	-	-	-	-	-	-	35	-	33				-	-		
															-	31	30	-	-	-	-	-	24	23	22	-	20	19	-	17				-	-		
															-	-	-	-	-	-	-	-	-	7	6	-	4	-	2	1				-	-		
MX123 CONN ASSY 73 CKT BLU OPT0 KEY C/30	345668933	C-HSG-C0	G-CAP-0-P	TPA-C0	RS	LS	MAL	CPA	MSEAL	RSEAL	-	-	70	-	-	67	-	-	64	-	62	61	60	-	-	57	-	55	54	-	SALEABLE		345650003				
											52	51	50	49	48	47	46	45	44	-	42	41	40	-	-	37	-	35	34	33				-	-		
															32	-	-	-	28	27	26	25	-	-	-	-	-	19	18	17				-	-		
															16	15	14	13	12	11	10	9	8	7	-	-	-	-	-	-				-	-	-	
MX123 CONN ASSY 73 CKT GRY OPT0 KEY B/24	345668943	C-HSG-B0	G-CAP-0-P	TPA-B0	RS	LS	MAL	CPA	MSEAL	RSEAL	-	71	70	69	-	67	66	65	64	63	-	-	60	59	58	57	56	-	54	53	SALEABLE		345650003				
											-	51	50	49	48	47	-	45	44	-	42	41	-	39	38	37	36	35	34	33				-	-		
															32	31	30	29	28	27	26	25	24	23	-	-	-	-	-	-				-	-	-	-
															-	-	-	13	12	11	10	9	-	7	-	5	-	-	-	-				-	-	-	1

ASSEMBLY DESCRIPTION	ASSEMBLY PART NUMBER	CONNECTOR HOUSING	GROMMET CAP	TPA	RIGHT SLIDE	LEFT SLIDE	MATE ASSIST LEVER	CPA	MAT SEAL	RING SEAL	BLOCKED TERMINALS																				STATUS	COMMENTS	INTEGRAL COMPONENTS SOLD SEPARATELY		
											CAVITY WITH A NUMBER INDICATES BLOCKED TERMINAL POSITION																						DRESS COVER		
											CAVITY WITHOUT A NUMBER INDICATES OPEN TERMINAL POSITION																								
MX123 CONN ASSY 73 CKT BLU OPT9 KEY C/43	345668953	C-HSG-C9	G-CAP-9-P	TPA-C9	RS	LS	MAL	CPA	MSEAL	RSEAL	-	-	-	-	68	-	-	65	-	63	62	61	-	59	58	57	56	55	-	53	SALEABLE		345650003		
											-	-	-	-	48	-	-	45	-	43	42	41	-	-	-	37	36	35	34	33					
															32	31	-	-	-	-	-	-	-	-	-	-	-	20	19	18				-	
															-	-	-	-	-	-	-	-	-	-	-	-	-	-	4	3				2	1
MX123 CONN ASSY 73 CKT GRY OPT0 KEY B/31	345668963	C-HSG-B0	G-CAP-0-P	TPA-B0	RS	LS	MAL	CPA	MSEAL	RSEAL	-	71	70	69	68	67	66	65	64	63	-	-	-	-	58	57	56	-	54	53	SALEABLE		345650003		
											-	51	50	49	-	-	-	45	44	-	42	-	-	39	-	-	-	-	-	34				33	
															32	31	-	29	28	27	26	25	24	23	-	-	-	-	-	-				-	-
															-	-	-	13	12	11	10	9	8	7	-	5	-	3	2	-				-	
MX123 CONN ASSY 73 CKT BLK OPT0 KEY A/47	345668973	C-HSG-A0	G-CAP-0-P	TPA-A0	RS	LS	MAL	CPA	MSEAL	RSEAL	-	-	-	-	-	67	-	-	-	-	62	61	-	59	58	-	-	55	-	53	SALEABLE		345650003		
											-	-	-	-	-	47	-	-	-	-	-	41	-	-	-	-	-	35	-	33					
															-	-	-	-	-	27	26	25	24	-	-	-	20	19	18	-					
															16	-	-	-	-	11	10	9	8	-	-	-	4	3	-	1					
MX123 CONN ASSY 73 CKT BLU OPT0 KEY C/38	345668983	C-HSG-C0	G-CAP-0-P	TPA-C0	RS	LS	MAL	CPA	MSEAL	RSEAL	72	-	-	69	68	-	-	65	-	63	62	-	-	59	58	-	56	55	-	53	SALEABLE		345650003		
											-	-	-	-	-	-	46	-	-	43	42	-	40	39	38	-	36	35	-	-					
															-	31	30	29	-	-	26	-	24	23	22	21	20	19	-	-					
															-	-	-	-	-	-	-	-	-	-	6	5	4	3	2	1					
MX123 CONN ASSY 73 CKT GRY OPT0 KEY B/12	345668993	C-HSG-B0	G-CAP-0-P	TPA-B0	RS	LS	MAL	CPA	MSEAL	RSEAL	72	71	70	69	68	67	-	65	64	63	-	61	60	59	-	57	56	55	54	53	SALEABLE		345650003		
											52	51	50	49	48	47	46	45	44	43	42	-	40	39	-	-	36	35	34	33					
															32	31	30	29	28	27	26	25	24	23	22	21	20	-	-	-				-	
															16	15	14	13	12	11	10	9	8	7	6	-	4	3	2	-					
MX123 CONN ASSY 73 CKT GRY OPT0 KEY B/50	345669003	C-HSG-B0	G-CAP-0-P	TPA-B0	RS	LS	MAL	CPA	MSEAL	RSEAL	72	71	70	-	-	67	-	65	64	63	62	61	60	-	58	-	56	-	54	-	SALEABLE		345650003		
											52	51	50	-	-	47	-	45	-	43	42	41	40	-	38	-	36	-	34	-					
															32	31	30	-	-	27	26	25	24	-	22	-	20	19	-	17					
															16	15	14	13	12	-	-	9	8	-	6	5	4	3	2	1					
MX123 CONN ASSY 73 CKT BLK OPT0 KEY A/29	345669013	C-HSG-A0	G-CAP-0-P	TPA-A0	RS	LS	MAL	CPA	MSEAL	RSEAL	72	71	70	-	-	67	66	-	-	-	-	-	-	59	58	57	56	55	54	53	SALEABLE		345650003		
											52	51	50	-	-	47	46	-	-	-	-	-	-	39	-	37	36	35	-	33					
															32	31	30	29	28	27	26	-	-	-	-	21	-	-	18	17					
															16	15	14	13	12	11	10	-	8	7	-	-	-	3	2	1					
MX123 CONN ASSY 73 CKT GRY OPT0 KEY B/18	345669023	C-HSG-B0	G-CAP-0-P	TPA-B0	RS	LS	MAL	CPA	MSEAL	RSEAL	72	71	70	69	68	67	66	65	64	63	-	61	60	-	58	57	56	55	54	53	SALEABLE		345650003		
											52	51	50	49	48	47	46	45	44	43	-	-	40	-	-	37	36	35	34	33					
															32	-	30	29	28	-	26	25	24	-	-	21	-	19	-	-					
															16	-	14	13	12	11	10	9	8	-	6	5	-	-	2	1					
MX123 CONN ASSY 73 CKT BLU OPT0 KEY C/43	345669033	C-HSG-C0	G-CAP-0-P	TPA-C0	RS	LS	MAL	CPA	MSEAL	RSEAL	-	71	-	69	68	-	66	65	64	-	62	61	-	-	-	-	-	54	53	SALEABLE		345650003			
											-	-	-	-	48	-	-	-	-	43	42	41	40	-	-	37	36	35	-				33		
															32	-	-	-	-	27	-	-	-	-	-	-	20	19	18				-		
															-	-	-	-	-	11	10	-	-	-	-	-	4	3	2				1		
MX123 CONN ASSY 73 CKT BLU OPT0 KEY C/40	345669043	C-HSG-C0	G-CAP-0-P	TPA-C0	RS	LS	MAL	CPA	MSEAL	RSEAL	-	-	-	-	68	-	-	-	-	63	62	61	60	59	58	57	56	55	-	53	SALEABLE		345650003		
											-	-	-	-	48	-	-	-	-	43	42	41	40	-	-	37	36	35	34	33					
															32	31	-	-	-	27	-	-	-	-	-	-	20	19	18	-					
															-	-	-	-	-	11	10	-	-	-	-	-	4	3	2	1					
MX123 CONN ASSY 73 CKT BLU OPT0 KEY C/49	345669053	C-HSG-C0	G-CAP-0-P	TPA-C0	RS	LS	MAL	CPA	MSEAL	RSEAL	-	-	-	-	-	67	-	-	-	63	62	-	-	59	58	-	-	55	-	-	SALEABLE		345650003		
											-	-	-	-	-	47	-	-	-	-	-	41	-	-	-	-	-	35	-	-					
															32	-	-	-	-	27	26	25	24	-	-	-	-	19	18	17					
															16	-	-	-	-	11	10	9	8	-	-	-	-	3	-	1					
MX123 CONN ASSY 73 CKT GRY OPT0 KEY B/26	345669063	C-HSG-B0	G-CAP-0-P	TPA-B0	RS	LS	MAL	CPA	MSEAL	RSEAL	-	71	70	69	-	67	66	65	64	63	-	-	-	-	58	57	56	-	54	53	SALEABLE		345650003		
											-	51	50	49	48	47	-	45	-	-	42	-	-	39	38	37	36	35	34	33					
															32	31	30	29	28	27	26	25	24	23	-	-	-	-	-	-					
															-	-	-	13	12	11	10	9	-	7	-	5	-	3	2	1					

ASSEMBLY DESCRIPTION	ASSEMBLY PART NUMBER	CONNECTOR HOUSING	GROMMET CAP	TPA	RIGHT SLIDE	LEFT SLIDE	MATE ASSIST LEVER	CPA	MAT SEAL	RING SEAL	BLOCKED TERMINALS																STATUS	COMMENTS	INTEGRAL COMPONENTS SOLD SEPARATELY													
											CAVITY WITH A NUMBER INDICATES BLOCKED TERMINAL POSITION																		DRESS COVER													
											CAVITY WITHOUT A NUMBER INDICATES OPEN TERMINAL POSITION																															
MX123 CONN ASSY 73 CKT GRY OPT0 KEY B/46	345669213	C-HSG-B0	G-CAP-0-P	TPA-B0	RS	LS	MAL	CPA	MSEAL	RSEAL	72	71	70	69	-	-	-	-	-	63	62	61	60	-	-	-	56	-	-	-												
											52	-	-	-	-	-	47	-	-	44	-	-	-	-	-	-	-	36	-	34	-											
																											-	19	18	17												
																											-	15	14	-	12	11	-	-	-	-	-	-	-	-	-	-
MX123 CONN ASSY 73 CKT GRY OPT9 KEY B/30	345669223	C-HSG-B9	G-CAP-9-P	TPA-B9	RS	LS	MAL	CPA	MSEAL	RSEAL	-	71	70	69	68	67	66	65	64	63	-	-	-	-	58	57	56	-	54	53												
											-	51	50	49	-	-	-	45	44	43	42	-	-	39	-	-	-	-	-	34	33											
																											32	31	-	29	28	27	26	25	24	23	-	-	-	-	-	17
																											-	-	-	13	12	11	10	9	8	7	-	5	-	-	2	-
MX123 CONN ASSY 73 CKT BLU OPT9 KEY C/40	345669233	C-HSG-C9	G-CAP-9-P	TPA-C9	RS	LS	MAL	CPA	MSEAL	RSEAL	72	-	70	69	68	-	66	-	-	63	62	-	-	-	58	-	56	55	-	53												
											-	-	-	49	-	-	46	-	-	43	42	-	40	-	38	-	36	35	-	-												
																											-	31	30	29	-	-	26	-	24	-	22	21	20	19	-	17
																											-	-	-	-	-	-	-	-	-	-	-	-	4	3	2	1
MX123 CONN ASSY 73 CKT GRY OPT9 KEY B/44	345669243	C-HSG-B9	G-CAP-9-P	TPA-B9	RS	LS	MAL	CPA	MSEAL	RSEAL	-	-	-	-	68	67	66	65	-	-	62	-	60	59	-	-	-	-	54	53												
											-	-	-	-	48	47	46	45	44	-	42	41	40	39	-	-	-	35	34	-												
																											-	31	-	-	-	27	-	-	-	-	-	-	19	18	17	
																											-	15	-	-	-	-	-	-	-	-	-	-	-	3	2	1
MX123 CONN ASSY 73 CKT GRY OPT9 KEY B/61	345669253	C-HSG-B9	G-CAP-9-P	TPA-B9	RS	LS	MAL	CPA	MSEAL	RSEAL	-	-	-	-	-	-	66	-	-	-	-	-	-	58	-	-	-	-	-													
											-	-	-	-	-	-	-	-	-	-	-	41	-	-	38	37	-	-	-	-												
																											-	-	-	-	-	-	-	-	-	-	-	20	19	18	17	
																											-	-	-	-	-	-	-	-	8	-	-	5	-	-	-	1
MX123 CONN ASSY 73 CKT GRY OPT9 KEY B/22	345669263	C-HSG-B9	G-CAP-9-P	TPA-B9	RS	LS	MAL	CPA	MSEAL	RSEAL	-	71	70	69	-	67	66	65	64	63	-	-	-	-	58	57	56	-	54	53												
											-	51	50	49	48	47	-	45	44	-	42	-	-	39	38	37	36	35	34	33												
																											32	31	30	29	28	27	26	25	24	23	-	-	19	18	17	
																											-	-	-	13	12	11	10	9	-	7	-	5	-	3	2	1
MX123 CONN ASSY 73 CKT GRY OPT9 KEY B/57	345669273	C-HSG-B9	G-CAP-9-P	TPA-B9	RS	LS	MAL	CPA	MSEAL	RSEAL	-	-	-	-	-	-	66	-	-	-	62	-	-	-	58	-	-	-	-	-												
											52	51	-	-	-	-	-	45	-	-	-	41	-	-	38	37	-	-	-	-												
																											-	-	-	-	-	-	-	-	-	-	-	20	19	18	17	
																											-	-	-	-	-	-	-	-	8	-	-	5	-	-	-	1
MX123 CONN ASSY 73 CKT BLK OPT0 KEY A/14	345669303	C-HSG-A0	G-CAP-0-P	TPA-A0	RS	LS	MAL	CPA	MSEAL	RSEAL	-	-	70	-	-	-	-	65	-	-	-	61	60	-	-	-	-	-	-													
											-	-	-	-	-	-	-	45	-	-	-	41	40	-	-	-	-	-	-	-												
																											-	-	-	-	28	-	26	25	-	-	-	-	-	18	-	
																											16	-	-	-	-	-	10	-	-	-	-	-	-	-	-	-
MX123 CONN ASSY 73 CKT BLK OPT9 KEY A/33	345669313	C-HSG-A9	G-CAP-9-P	TPA-A9	RS	LS	MAL	CPA	MSEAL	RSEAL	-	71	70	69	68	67	66	65	-	63	-	-	60	59	-	-	-	-	-	-												
											-	-	50	49	-	47	-	-	44	-	42	-	-	39	38	-	36	35	34	33												
																											-	31	-	-	28	-	26	-	24	23	22	21	-	19	18	17
																											-	-	14	-	12	-	-	-	8	7	6	5	-	3	2	1
MX123 CONN ASSY 73 CKT BLK OPT9 KEY A/37	345669323	C-HSG-A9	G-CAP-9-P	TPA-A9	RS	LS	MAL	CPA	MSEAL	RSEAL	-	71	70	69	68	67	66	65	-	63	-	-	60	-	-	-	-	-	-													
											-	-	50	49	-	47	-	-	44	-	42	-	-	39	38	-	36	-	-	33												
																											-	31	-	-	28	-	26	-	24	23	22	21	-	19	18	17
																											-	-	14	-	12	-	-	-	8	7	6	5	-	-	2	1
MX123 CONN ASSY 73 CKT BLK OPT9 KEY A/35	345669333	C-HSG-A9	G-CAP-9-P	TPA-A9	RS	LS	MAL	CPA	MSEAL	RSEAL	-	71	70	69	68	67	66	65	-	63	-	-	60	-	-	-	-	-	53													
											-	-	50	49	-	47	-	-	44	-	42	-	-	39	38	-	36	-	-	33												
																											-	31	-	-	28	-	26	-	24	23	22	21	-	19	18	17
																											-	-	14	-	12	-	-	-	8	7	6	5	-	3	2	1
MX123 CONN ASSY 73 CKT BLU OPT9 KEY C/34	345669343	C-HSG-C9	G-CAP-9-P	TPA-C9	RS	LS	MAL	CPA	MSEAL	RSEAL	-	71	-	-	-	67	-	65	64	-	-	61	60	59	-	57	-	-	54	-												
											52	51	50	-	48	47	-	45	44	-	-	41	-	39	-	37	-	-	34	33												
																											32	-	-	-	28	27	-	25	-	23	-	-	-	18	-	
																											16	15	14	13	12	11	10	9	8	7	6	5	-	-	-	-

ASSEMBLY DESCRIPTION	ASSEMBLY PART NUMBER	CONNECTOR HOUSING	GROMMET CAP	TPA	RIGHT SLIDE	LEFT SLIDE	MATE ASSIST LEVER	CPA	MAT SEAL	RING SEAL	BLOCKED TERMINALS																				STATUS	COMMENTS	INTEGRAL COMPONENTS SOLD SEPARATELY
											CAVITY WITH A NUMBER INDICATES BLOCKED TERMINAL POSITION																						DRESS COVER
											CAVITY WITHOUT A NUMBER INDICATES OPEN TERMINAL POSITION																						
MX123 CONN ASSY 73 CKT BLU OPT0 KEY C/47	345669563	C-HSG-C0	G-CAP-0-P	TPA-C0	RS	LS	MAL	CPA	MSEAL	RSEAL	-	-	-	-	68	-	-	-	-	63	62	61	-	59	58	57	-	55	-	53	SALEABLE		345650003
											-	-	-	-	-	-	-	-	43	42	41	-	-	-	37	36	35	-	33				
											-	-	-	-	32	-	-	29	-	27	-	-	-	-	-	-	19	18	-	-			
											-	-	-	-	-	-	-	-	11	10	-	-	-	-	-	-	3	2	1	-			
MX123 CONN ASSY 73 CKT GRY OPT0 KEY B/61	345669573	C-HSG-B0	G-CAP-0-P	TPA-B0	RS	LS	MAL	CPA	MSEAL	RSEAL	-	-	-	-	-	66	-	-	-	62	-	-	-	58	-	-	-	-	-	SALEABLE		345650003	
											-	-	-	-	-	-	-	-	-	-	-	41	-	-	38	37	-	-	-				
											-	-	-	-	-	-	-	-	-	-	-	-	-	-	-	20	19	18	17				-
											-	-	-	-	-	-	-	-	-	-	-	-	-	-	5	-	-	-	1				-
MX123 CONN ASSY 73 CKT GRY OPT0 KEY B/65	345669583	C-HSG-B0	G-CAP-0-P	TPA-B0	RS	LS	MAL	CPA	MSEAL	RSEAL	-	-	-	-	-	-	-	-	-	62	-	-	-	58	-	-	-	-	53	SALEABLE		345650003	
											-	-	-	-	-	-	-	-	-	-	-	-	-	-	-	-	-	-	-				
											-	-	-	-	-	-	-	-	27	-	25	-	-	-	-	-	-	-	-				
											-	-	-	-	-	-	-	-	11	10	-	-	-	-	-	-	-	-	-				
MX123 CONN ASSY 73 CKT BLK OPT0 KEY A/33	345669593	C-HSG-A0	G-CAP-0-P	TPA-A0	RS	LS	MAL	CPA	MSEAL	RSEAL	-	71	-	69	68	-	66	65	64	-	62	61	-	-	-	-	-	54	53	SALEABLE		345650003	
											-	-	50	49	-	-	46	45	44	-	-	41	-	-	-	-	-	-	34				33
											-	-	-	-	32	31	30	29	-	-	26	25	24	23	22	21	20	19	-				-
											-	-	-	-	16	15	14	13	-	-	10	-	8	-	6	5	4	3	-				-
MX123 CONN ASSY 73 CKT BLK OPT0 KEY A/28	345669603	C-HSG-A0	G-CAP-0-P	TPA-A0	RS	LS	MAL	CPA	MSEAL	RSEAL	72	-	-	-	-	67	-	-	-	62	-	60	-	-	-	-	55	54	53	SALEABLE		345650003	
											-	51	-	-	48	-	46	45	44	43	42	-	40	39	-	-	-	-	-				
											-	-	-	-	-	-	-	-	-	-	26	25	-	-	22	21	-	-	-				-
											-	-	-	-	-	-	-	-	-	-	-	-	8	7	6	5	4	3	2				-
MX123 CONN ASSY 73 CKT BLU OPT0 KEY C/45	345669613	C-HSG-C0	G-CAP-0-P	TPA-C0	RS	LS	MAL	CPA	MSEAL	RSEAL	72	-	-	-	68	-	-	-	63	62	61	-	59	58	57	-	55	54	53	SALEABLE		345650003	
											-	-	-	-	48	-	-	-	43	42	41	-	-	38	37	36	35	-	33				
											-	-	-	-	32	-	-	29	-	27	-	-	-	-	-	-	-	-	-				-
											-	-	-	-	-	-	-	-	11	10	-	-	-	-	-	-	-	3	2				1
MX123 CONN ASSY 73 CKT GRY OPT9 KEY B/40	345669623	C-HSG-B9	G-CAP-9-P	TPA-B9	RS	LS	MAL	CPA	MSEAL	RSEAL	-	-	-	69	68	67	66	65	-	62	-	60	59	-	-	-	-	54	53	SALEABLE		345650003	
											-	-	-	49	48	47	46	45	44	-	42	41	40	39	-	-	-	35	34				33
											-	-	-	-	-	31	-	-	-	27	-	-	-	-	-	-	-	19	18				17
											-	-	-	-	-	15	-	-	12	-	-	-	-	-	-	-	-	3	2				1
MX123 CONN ASSY 73 CKT GRY OPT9 KEY B/60	345669633	C-HSG-B9	G-CAP-9-P	TPA-B9	RS	LS	MAL	CPA	MSEAL	RSEAL	-	-	-	-	-	66	-	-	-	62	-	-	-	58	-	-	-	-	-	SALEABLE		345650003	
											-	-	-	-	-	-	-	-	-	-	-	-	41	-	-	38	37	-	-				-
											-	-	-	-	-	-	-	-	-	-	-	-	-	-	-	-	19	18	17				-
											-	-	-	-	-	-	-	-	-	-	-	-	8	-	-	5	4	-	-				1
MX123 CONN ASSY 73 CKT BLK OPT9 KEY A/20	345669643	C-HSG-A9	G-CAP-9-P	TPA-A9	RS	LS	MAL	CPA	MSEAL	RSEAL	72	71	70	-	68	67	66	65	-	62	-	60	-	58	57	56	55	54	53	SALEABLE		345650003	
											-	51	50	49	-	47	46	45	-	42	-	40	-	-	37	36	-	-	33				
											-	-	-	-	32	31	-	-	28	27	26	25	24	23	22	21	20	19	18				17
											-	-	-	-	16	15	14	13	12	11	-	9	8	7	6	-	4	3	-				1
MX123 CONN ASSY 73 CKT GRY OPT0 KEY B/52	345669663	C-HSG-B0	G-CAP-0-P	TPA-B0	RS	LS	MAL	CPA	MSEAL	RSEAL	-	-	-	-	-	-	-	-	-	62	-	60	59	-	-	-	-	-	-	SALEABLE		345650003	
											-	-	-	-	-	-	-	-	-	-	43	42	41	-	39	38	-	-	-				-
											-	-	-	-	-	31	-	-	-	27	-	-	-	23	22	-	20	19	18				17
											-	-	-	-	-	15	-	-	-	11	-	-	-	7	-	-	4	3	-				-
MX123 CONN ASSY 73 CKT BLU OPT0 KEY C/46	345669673	C-HSG-C0	G-CAP-0-P	TPA-C0	RS	LS	MAL	CPA	MSEAL	RSEAL	-	-	-	-	68	-	-	-	63	62	61	-	59	58	57	-	55	-	53	SALEABLE		345650003	
											-	-	-	-	48	-	-	-	43	42	41	-	-	-	37	36	35	-	33				
											-	-	-	-	32	-	-	29	-	27	-	-	-	-	-	-	19	18	-				-
											-	-	-	-	-	-	-	-	11	10	-	-	-	-	-	-	3	2	1				-
MX123 CONN ASSY 73 CKT GRY OPT0 KEY B/60	345669683	C-HSG-B0	G-CAP-0-P	TPA-B0	RS	LS	MAL	CPA	MSEAL	RSEAL	-	-	-	-	-	-	-	-	-	62	-	-	59	58	-	-	-	-	53	SALEABLE		345650003	
											-	-	-	-	-	-	-	-	-	-	42	-	-	39	-	-	-	-	34				-
											-	-	-	-	-	-	-	-	27	-	25	-	-	-	-	-	-	-	18				-
											-	-	-	-	-	-	-	-	11	10	-	-	-	-	-	-	-	-	2				-

ASSEMBLY DESCRIPTION	ASSEMBLY PART NUMBER	CONNECTOR HOUSING	GROMMET CAP	TPA	RIGHT SLIDE	LEFT SLIDE	MATE ASSIST LEVER	CPA	MAT SEAL	RING SEAL	BLOCKED TERMINALS																		STATUS	COMMENTS	INTEGRAL COMPONENTS SOLD SEPARATELY					
											CAVITY WITH A NUMBER INDICATES BLOCKED TERMINAL POSITION																				DRESS COVER					
											CAVITY WITHOUT A NUMBER INDICATES OPEN TERMINAL POSITION																									
MX123 CONN ASSY 73 CKT BLK OPT0 KEY A/32	345669693	C-HSG-A0	G-CAP-0-P	TPA-A0	RS	LS	MAL	CPA	MSEAL	RSEAL	-	71	-	69	68	-	66	65	64	-	62	61	-	-	-	-	-	-	54	-						
											-	-	50	49	-	-	46	45	44	-	-	41	-	-	-	-	-	-	-	-	-	-	-	-	34	-
															32	31	30	29	-	27	26	25	24	23	22	21	20	19	-	-						
				16	15	14	13	-	-	10	9	8	7	6	5	4	3	-	-																	
MX123 CONN ASSY 73 CKT BLK OPT0 KEY A/30	345669703	C-HSG-A0	G-CAP-0-P	TPA-A0	RS	LS	MAL	CPA	MSEAL	RSEAL	-	-	-	-	-	67	66	-	-	-	62	-	60	-	58	-	-	55	54	53						
											-	-	-	-	48	-	46	45	44	43	42	-	40	39	-	-	-	35	-	-						
															-	-	-	-	-	-	26	25	-	-	22	21	-	-	-	17						
				-	15	14	-	-	-	-	-	8	7	6	5	4	-	-	-																	
MX123 CONN ASSY 73 CKT GRY OPT0 KEY B/45	345669713	C-HSG-B0	G-CAP-0-P	TPA-B0	RS	LS	MAL	CPA	MSEAL	RSEAL	72	71	70	69	-	-	-	-	-	63	62	61	60	-	-	-	56	-	-	-						
											52	-	-	-	-	47	-	-	44	-	-	41	-	-	-	-	36	-	34	-						
															-	-	-	29	28	27	-	25	-	-	-	21	-	19	18	17						
				-	15	14	-	12	11	-	-	-	-	-	-	-	-	-	-	1																
MX123 CONN ASSY 73 CKT GRY OPT0 KEY B/47	345669723	C-HSG-B0	G-CAP-0-P	TPA-B0	RS	LS	MAL	CPA	MSEAL	RSEAL	-	-	-	-	-	-	-	-	-	-	62	-	60	59	-	-	-	-	54	53						
											-	-	-	-	-	-	-	-	44	-	42	41	-	39	38	-	-	35	34	33						
															-	31	-	-	-	27	-	-	-	23	22	-	20	-	18	17						
				-	15	-	-	-	-	-	-	-	7	-	-	4	3	2	1																	
MX123 CONN ASSY 73 CKT BLK OPT0 KEY A/32	345669733	C-HSG-A0	G-CAP-0-P	TPA-A0	RS	LS	MAL	CPA	MSEAL	RSEAL	-	-	-	69	68	-	-	65	64	63	62	61	60	-	58	57	56	55	54	-						
											-	-	-	49	48	-	-	45	44	43	42	41	40	-	38	-	36	-	34	-						
															32	31	-	-	-	-	-	25	24	23	22	-	20	19	18	-						
				-	15	14	-	12	-	-	9	-	-	6	5	4	-	2	-																	
MX123 CONN ASSY 73 CKT GRY OPT0 KEY B/57	345669743	C-HSG-B0	G-CAP-0-P	TPA-B0	RS	LS	MAL	CPA	MSEAL	RSEAL	-	-	-	-	-	-	66	-	-	-	62	-	-	-	58	-	-	-	-							
											52	51	-	-	-	-	-	45	-	-	-	41	-	-	38	37	-	-	-							
															-	-	-	-	-	-	-	-	-	-	-	20	19	18	17							
				-	-	-	-	-	-	-	-	-	-	5	4	-	-	1																		
MX123 CONN ASSY 73 CKT BLU OPT0 KEY C/45	345669753	C-HSG-C0	G-CAP-0-P	TPA-C0	RS	LS	MAL	CPA	MSEAL	RSEAL	-	-	-	-	68	-	-	-	-	63	62	61	-	59	58	57	-	55	-	53						
											-	-	-	-	48	-	-	-	-	43	-	-	-	-	38	37	36	35	34	33						
															32	-	-	29	-	27	-	-	-	-	-	-	-	19	18	17						
				-	-	-	-	-	11	10	-	-	-	-	-	-	3	2	1																	
MX123 CONN ASSY 73 CKT BLK OPT0 KEY A/33	345669773	C-HSG-A0	G-CAP-0-P	TPA-A0	RS	LS	MAL	CPA	MSEAL	RSEAL	-	-	-	69	68	-	-	65	64	63	62	61	60	-	58	57	56	55	54	-						
											-	-	-	49	48	-	-	45	44	43	42	41	40	-	38	-	36	-	34	-						
															32	31	-	-	-	-	-	25	24	23	22	-	20	19	18	-						
				-	15	14	-	-	-	-	9	-	-	6	5	4	-	2	-																	
MX123 CONN ASSY 73 CKT GRY OPT0 KEY B/58	345669783	C-HSG-B0	G-CAP-0-P	TPA-B0	RS	LS	MAL	CPA	MSEAL	RSEAL	-	-	-	-	-	-	66	-	-	-	-	-	-	58	-	-	-	-								
											52	51	-	-	-	-	-	45	-	-	-	41	-	-	38	37	-	-	-							
															-	-	-	-	-	-	-	-	-	-	-	20	19	18	17							
				-	-	-	-	-	-	-	-	-	-	5	4	-	-	1																		
MX123 CONN ASSY 73 CKT GRY OPT9 KEY B/47	345669793	C-HSG-B9	G-CAP-9-P	TPA-B9	RS	LS	MAL	CPA	MSEAL	RSEAL	-	-	70	-	-	-	66	-	-	-	62	-	60	59	-	-	-	-	-							
											-	-	-	-	-	-	46	45	-	-	42	-	40	39	-	-	-	35	34	33						
															32	31	30	-	-	27	-	-	-	-	-	21	-	19	18	17						
				-	15	-	-	-	11	-	-	-	-	-	-	-	3	2	1																	
MX123 CONN ASSY 73 CKT BLK OPT0 KEY A/32	345669803	C-HSG-A0	G-CAP-0-P	TPA-A0	RS	LS	MAL	CPA	MSEAL	RSEAL	-	-	-	-	-	67	66	-	-	-	62	-	60	-	58	-	-	55	54	53						
											-	-	-	-	48	-	46	45	44	43	42	-	40	39	-	-	-	35	-	-						
															-	-	-	-	-	-	26	25	-	-	22	21	-	-	-	17						
				-	15	14	-	-	-	-	-	8	7	6	5	4	3	2	-																	
MX123 CONN ASSY 73 CKT BLK OPT9 KEY A/42	345669813	C-HSG-A9	G-CAP-9-P	TPA-A9	RS	LS	MAL	CPA	MSEAL	RSEAL	-	-	-	69	68	-	-	-	-	-	-	-	60	-	58	57	56	-	-	-						
											-	-	50	49	48	-	-	-	-	-	-	-	40	-	38	-	-	-	-							
															32	31	-	-	28	27	26	-	24	23	22	21	20	19	-	-						
				16	15	14	-	12	-	10	9	-	-	6	5	-	-	2	-																	

MX123 52/66/73/80-WAY RECEPTACLE ASSY SEALED PIN OUT SHEET

STATUS	GM PART #	HRNS CONN ASSY				TPA	GROMMET CAP																																																																		
		MATERIAL/PART	WIRE DRESS OPTION	KEY OPTION ▽ Fp	COLOR OPTION ▽ Fp	NUMBERS INDICATE CAVITIES OPEN FOR CIRCUITS																																																																			
		NUMBER				▽ Fp																																																																			
TOOL DES. REL.	12672852	160094-0001	0	A	BLACK	<table border="1"> <tr> <td rowspan="2">52</td> <td>14</td><td>13</td><td>12</td><td>11</td><td>10</td><td>9</td><td>8</td><td>7</td><td>6</td><td>5</td><td>4</td><td>3</td> <td rowspan="2">2</td> </tr> <tr> <td>26</td><td>25</td><td>24</td><td>23</td><td>22</td><td>21</td><td>20</td><td>19</td><td>18</td><td>17</td><td>16</td><td>15</td> </tr> <tr> <td rowspan="2">51</td> <td>38</td><td>37</td><td>36</td><td>35</td><td>34</td><td>33</td><td>32</td><td>31</td><td>30</td><td>29</td><td>28</td><td>27</td> <td rowspan="2">1</td> </tr> <tr> <td>50</td><td>49</td><td>48</td><td>47</td><td>46</td><td>45</td><td>44</td><td>43</td><td>42</td><td>41</td><td>40</td><td>39</td> </tr> </table>																52	14	13	12	11	10	9	8	7	6	5	4	3	2	26	25	24	23	22	21	20	19	18	17	16	15	51	38	37	36	35	34	33	32	31	30	29	28	27	1	50	49	48	47	46	45	44	43	42	41	40	39
52	14	13	12	11	10																		9	8	7	6	5	4	3	2																																											
	26	25	24	23	22																	21	20	19	18	17	16	15																																													
51	38	37	36	35	34																	33	32	31	30	29	28	27	1																																												
	50	49	48	47	46																	45	44	43	42	41	40	39																																													
TOOL DES. REL.	N/A	160094-0002	0	B	ST GRY																																																																				
TOOL DES. REL.	12672854	160094-0003	0	C	BLUE																																																																				
TOOL DES. REL.	N/A	160094-0004	0	D	BROWN																																																																				
TOOL DES. REL.	N/A	160094-0005	0	E	GREEN																																																																				
TOOL DES. REL.	N/A	160094-0006	0	F	NATURAL																																																																				
TOOL DES. REL.	12672853	160094-0013	9	A	BLACK	<table border="1"> <tr> <td rowspan="2">52</td> <td>14</td><td>13</td><td>12</td><td>11</td><td>10</td><td>9</td><td>8</td><td>7</td><td>6</td><td>5</td><td>4</td><td>3</td> <td rowspan="2">2</td> </tr> <tr> <td>26</td><td>25</td><td>24</td><td>23</td><td>22</td><td>21</td><td>20</td><td>19</td><td>18</td><td>17</td><td>16</td><td>15</td> </tr> <tr> <td rowspan="2">51</td> <td>38</td><td>37</td><td>36</td><td>35</td><td>34</td><td>33</td><td>32</td><td>31</td><td>30</td><td>29</td><td>28</td><td>27</td> <td rowspan="2">1</td> </tr> <tr> <td>50</td><td>49</td><td>48</td><td>47</td><td>46</td><td>45</td><td>44</td><td>43</td><td>42</td><td>41</td><td>40</td><td>39</td> </tr> </table>																52	14	13	12	11	10	9	8	7	6	5	4	3	2	26	25	24	23	22	21	20	19	18	17	16	15	51	38	37	36	35	34	33	32	31	30	29	28	27	1	50	49	48	47	46	45	44	43	42	41	40	39
52	14	13	12	11	10																		9	8	7	6	5	4	3	2																																											
	26	25	24	23	22																	21	20	19	18	17	16	15																																													
51	38	37	36	35	34																	33	32	31	30	29	28	27	1																																												
	50	49	48	47	46																	45	44	43	42	41	40	39																																													
TOOL DES. REL.	N/A	160094-0014	9	B	ST GRY																																																																				
TOOL DES. REL.	12672855	160094-0015	9	C	BLUE																																																																				
TOOL DES. REL.	N/A	160094-0016	9	D	BROWN																																																																				
TOOL DES. REL.	N/A	160094-0017	9	E	GREEN																																																																				
TOOL DES. REL.	N/A	160094-0018	9	F	NATURAL																																																																				
NA	NA	NA	NA	NA	NA	<table border="1"> <tr> <td colspan="16">73</td> </tr> </table>																73																																																			
73																																																																									
SALEABLE	NOT APPLICABLE	34566-2503	0	A	BLACK	72	71	70	69	68	67	66	65	64	63	62	61	60	59	58	57	56	55	54	53																																																
									50	49	48	47	46	45	44	43	42	41	40	39	38	37	36	35	33																																																
						73																																																																			
											32	31	30	29	28	27	26	25	24	23	22	21	20	19	17																																																
												14	13	12	11	10	9	8	7	6	5	4	3	2	1																																																
SALEABLE	NOT APPLICABLE	34566-2603	0	B	ST GRY				49	48	47	46	45	44	43	42	41	40	39	38	37	36	35	33																																																	
						73																																																																			
																			7																																																						
SALEABLE	NOT APPLICABLE	34566-2703	0	B	ST GRY				49	48	47	46	45	44	43	42	41	40	39	38	37	36	35	33																																																	
						73																																																																			
																				7																																																					
SALEABLE	TBD	34566-2803	0	H	ST GRY																																																																				
SALEABLE	NOT APPLICABLE	34566-2903	0	A	BLACK	72	71	70	69	68	67	66	65	64	63	62	61	60	59	58	57	56	55	54	53																																																
						52	51	50	49	48	47	46	45	44	43	42	41	40	39	38	37	36	35	34	33																																																
						73																																																																			
											32	31	30	29	28	27	26	25	24	23	22	21	20	19	17																																																
												16	15	14	13	12	11	10	9	8	7	6	5	4	3	2	1																																														
SALEABLE	NOT APPLICABLE	34566-3003	0	A	BLACK	72	71	70	69	68	67	66	65	64	63	62	61	60	59	58	57	56	55	54	53																																																
						52	51	50	49	48	47	46	45	44	43	42	41	40	39	38	37	36	35	34	33																																																
						73																																																																			
											32	31	30	29	28	27	26	25	24	23	22	21	20	19	18	17																																															
												16	15	14	13	12	11	10	9	8	7	6	5	4	3	2	1																																														
SALEABLE	NOT APPLICABLE	34566-3103	0	B	ST GRY				49	48	47	46	45	44	43	42	41	40	39	38	37	36	35	33																																																	
						73																																																																			
																			9	8	7	6	5	4	3	2	1																																														
SALEABLE	NOT APPLICABLE	34566-3203	0	B	ST GRY				50	49	48	47	46	45	44	43	42	41	40	39	38	37	36	35	34	33																																															
						73																																																																			
																				7	6	5	4	3	2	1																																															
SALEABLE	NOT APPLICABLE	34566-3303	0	B	ST GRY				50	49	48	47	46	45	44	43	42	41	40	39	38	37	36	35	34	33																																															
						73																																																																			
																				7	6	5	4	3	2	1																																															
SALEABLE	NOT APPLICABLE	34566-3403				SEE 34566-3003																																																																			
SALEABLE	NOT APPLICABLE	34566-3503	0	A	BLACK	72	71	70	69	68	67	66	65	64	63	62	61	60	59	58	57	56	55	54	53																																																
						52	51	50	49	48	47	46	45	44	43	42	41	40	39	38	37	36	35	34	33																																																
						73																																																																			
																				24	23	22	21	20	19	17																																															
													14	13	12	11	10	9	8	7	6	5	4	3	2	1																																															

MX123 52/66/73/80-WAY RECEPTACLE ASSY SEALED PIN OUT SHEET

STATUS	GM PART #	HRNS CONN ASSY			TPA	GROMMET CAP																								
		MATERIAL/PART	WIRE DRESS OPTION	KEY OPTION Fp	COLOR OPTION Fp	NUMBERS INDICATE CAVITIES OPEN FOR CIRCUITS																								
		NUMBER				Fp																								
SALEABLE	NOT APPLICABLE	34566-8103	0	H	ST GRY			78							72	71	70	69	68		66	65	64	63		61				
						60	59	58	57	56			53	52		50										44	43		41	
						40			37		35	34	33	32		30	29						27	26			24		22	21
						20	19	18	17	16				13	12								8		6	5		3	2	
SALEABLE	NOT APPLICABLE	34566-8203	0	A	BLACK			70			67	66								58		56	55	54						
										47			44	43	42	41		39					37	36		34				
						73					31	30			27		25	24						21	20	19	18			
													13										6	5	4	3			1	
SALEABLE	NOT APPLICABLE	34566-8303	0	A	BLACK	72	71		69	68	67	66		64	63	62				59	58	57	56		54	53				
						52	51	50	49	48	47	46		44	43	42					39	38	37	36	35	34	33			
						73					32	31	30	29		27				24	23	22	21	20	19		17			
											15	14	13	12	11			9	8	7	6	5	4	3	2	1				
SALEABLE	NOT APPLICABLE	34566-8403	0	B	ST GRY								65	64						59		57		55	53					
								50	49	48		46									39		37		35		33			
						73					32			29						24	23		21							
													15								7	6	5	4	3					
SALEABLE	NOT APPLICABLE	34566-8503	0	B	ST GRY	72	71	70	69	68	67	66	65	64	63	62			60	59					55	54	53			
						52			49	48				44	43	42						39				35	34	33		
						73					32			29		27				24	23					19	18	17		
													13	12	11			9	8	7	6	5	4	3	2	1				
SALEABLE	NOT APPLICABLE	34566-8603	0	A	BLACK				69	68		66		64					59		57		55		53					
									49	48		46		44							39	38	37		35		33			
						73							29	28						23		21				18	17			
															12	11	10				7									
SALEABLE	NOT APPLICABLE	34566-8703	0	B	ST GRY				69	68		66		64					59		57		55		53					
								50	49	48	47		44								39		37		35		33			
						73							29	28						23		21				17				
													15			12	11	10			7	6	5	4	3					
SALEABLE	NOT APPLICABLE	34566-8803	0	B	ST GRY					68	67	66	65						59	58	57				54	53				
							51	50	49	48		46	45		43	42		40	39	38	37						33			
						73					32	31	30				26		24	23	22		20							
											16			13			10	9	8	7	6	5	4							
SALEABLE	NOT APPLICABLE	34566-8903	0	H	ST GRY			78							71	70	69	68	67	66	65	64	63		61					
								58	57	56			53	52		51	50								44	43		41		
						40			37		35	34	33	32		30	29					27	26					22	21	
						20	19	18	17	16		14		12		10	9	8	7	6	5					3	2	1		
SALEABLE	NOT APPLICABLE	34566-9003	0	B	ST GRY				69	68		66		64					59		57		55		53					
									49	48		46		44							39		37		35		33			
						73							29	28						23		21				18				
															11	10					7									
SALEABLE	NOT APPLICABLE	34566-9103	0	A	BLACK					68			65		63		61		59	58		56			53					
						52	51	50			47						41			38	37	36	35	34	33					
						73					32	31	30	29	28	27		25	24	23	22	21	20	19	18	17				
											16	15	14	13	12	11	10	9												
SALEABLE	NOT APPLICABLE	34566-9203	0	A	BLACK	72	71	70	69	68	67	66		64	63	62			60	59					55	54	53			
						52			49	48				44	43	42			40	39	38					35	34	33		
						73							30	29	28	27				24	23					19	18	17		
											16			13	12	11		9	8	7	6	5	4	3	2	1				
SALEABLE	NOT APPLICABLE	34566-9303	0	A	BLACK	72	71		69	68	67	66		64	63	62				59	58	57	56	55	54	53				
						52	51	50	49	48	47	46		44	43	42				39	38	37	36	35	34	33				
						73					32	31	30	29		27				24	23	22	21	20	19		17			
											15	14	13	12	11			9	8	7	6	5	4	3	2	1				
SALEABLE	NOT APPLICABLE	34566-9403	0	B	ST GRY					68	67	66	65			43	42	41	40	39	38	37		35		33				
							51	50	49	48		46	45																	
						73					32	31	30				26		24	23	22		20							
											16			13			10	9	8	7	6	5	4							
SALEABLE	NOT APPLICABLE	34566-9503	0	A	BLACK	72	71	70	69	68			65	64	63			61		59	58	57	56							
						52	51		49		47							41			38	37	36		34	33				
						73					32	31	30	29	28	27				24	23				20	19	18	17		
											16			13	12	11	10	9												

MX123 52/66/73/80-WAY RECEPTACLE ASSY SEALED PIN OUT SHEET

STATUS	GM PART #	HRNS CONN ASSY			TPA	GROMMET CAP																					
		MATERIAL/PART	WIRE DRESS OPTION	KEY OPTION Fp	COLOR OPTION Fp	NUMBERS INDICATE CAVITIES OPEN FOR CIRCUITS																					
		NUMBER				Fp																					
SALEABLE	NOT APPLICABLE	34566-9603	0	A	BLACK	52	71	70	69	68		66	65	64	63		61		59	58	57	56					
								50	49		47								41			38	37	36	35	34	33
						73			32	31	30	29	28	27					24	23					20	19	18
SALEABLE	NOT APPLICABLE	34566-9703	0	A	BLACK	72	71	70	69	68			65	64	63		61		59		57	56					
						52	51	50	49		47							41			38	37	36			34	33
						73			32	31	30	29	28	27					24	23					20	19	18
SALEABLE	NOT APPLICABLE	34566-9803	0	A	BLACK	72	71	70	69	68			65	64	63		61		59		57	56					
						52	51	50	49		47							41			38	37	36			34	33
						73			32	31	30	29	28	27					24	23					20	19	18
SALEABLE	NOT APPLICABLE	34566-9903	0	A	BLACK		71		69	68			65	64	63		61		59	58	57	56					
						52		50	49		47							41			38	37	36			34	33
						73			32	31	30	29	28	27					24	23					20	19	18
SALEABLE	NOT APPLICABLE	34566-1013	0	A	BLACK		71		69	68			65	64	63		61		59	58	57	56					
						52		50	49		47							41			38	37	36			34	33
						73			32	31	30	29	28	27					24	23					20	19	18
SALEABLE	NOT APPLICABLE	34566-1023	0	A	BLACK			70		68			66	65					58	57		55	54				
								50	49		47			44	43	42	41		39			37		35			
						73			32		30			27		25	24				21	20	19	18	17		
SALEABLE	NOT APPLICABLE	34566-1033	0	A	BLACK			70		67	66	65						58	57		55	54					
								50	49		47			44	43	42	41		39			37		35			
						73			32		30			27		26	25	24			21	20	19	18	17		
SALEABLE	NOT APPLICABLE	34566-1043	0	B	ST GRAY		71	70		68			66	65				59	58	57			54	53			
							51	50	49	48		46	45		43		41	40	39	38	37	36	35				
						73			32	31	30							24	23	22		20					
SALEABLE	NOT APPLICABLE	34566-1053	0	H	ST GRAY		79	78	77	76	75	74	73	72	71	70	69	68		66	65	64	63		61		
						60	59	58	57	56			53	52		50						44	43				
						40	39	38	37		35	34	33	32		30	29		27	26						22	21
SALEABLE	NOT APPLICABLE	34566-1063	0	B	ST GRAY								65				60	59		57	56	55		53			
									49	48	47			44				40	39		37	36	35				
						73						29	28					24	23		21						
SALEABLE	NOT APPLICABLE	34566-1073	0	A	BLACK	72	71	70	69	68	67	66	65	64	63		61		59	58	57	56			54		
								50	49	48	47							42	41		38	37	36			34	33
						73			32	31	30	29	28	27	26			24	23					20	19	18	17
SALEABLE	NOT APPLICABLE	34566-1083	0	B	ST GRAY					68	67	66	65	64				59	58	57			55	54	53		
							51	50	49	48		46	45		43	42	41	40	39	38	37		35				
						73			32	31	30			26		24	23	22		20							
SALEABLE	NOT APPLICABLE	34566-1093	0	A	BLACK			70		68	67	66						58		56	55	54					
									49		47			44	43	42	41		39		37	36			34		
						73				31	30			27		25	24			21	20	19	18				
SALEABLE	NOT APPLICABLE	34566-1123	0	H	ST GRAY			78					72	71	70	69	68	67	66	65	64	63		61			
								58	57	56			53	52	51	50						44	43				
						40			37		35	34	33	32		30	29		27	26						22	21
SALEABLE	NOT APPLICABLE	34566-1133	0	A	BLACK			70		68	67	66				61		58	57		55	54					
									49		47		45	44	43	42	41		39		37			34			
						73			32		30			27		25	24			21	20	19	18				

MX123 52/66/73/80-WAY RECEPTACLE ASSY SEALED PIN OUT SHEET

STATUS	GM PART #	HRNS CONN ASSY			TPA	GROMMET CAP																						
		MATERIAL/PART	WIRE DRESS OPTION	KEY OPTION Fp	COLOR OPTION Fp	NUMBERS INDICATE CAVITIES OPEN FOR CIRCUITS																						
		NUMBER				Fp																						
SALEABLE	NOT APPLICABLE	34566-1143	0	A	BLACK	52		50		68			65		63		61		59	58		56			53			
										47																		
						73			32	31	30	29	28	27		25	24	23	22	21	20	19	18	17				1
SALEABLE	NOT APPLICABLE	34566-1153	0	A	BLACK			70				67	66	65						58	57		55					
									49					44	43	42	41		39		37							
						73			32		30				27		25	24	23		21	20	19	18				1
SALEABLE	NOT APPLICABLE	34566-1163	0	H	ST GRAY			78						72	71	70	69	68		66	65	64	63		61			
						60	59	58	57	56			53	52		50								44	43		41	
						40			37		35	34		32		30	29		27	26							22	21
SALEABLE	NOT APPLICABLE	34566-1173	0	A	BLACK	20	19	18	17	16			13	12				8		6	5		3	2				
						72	71		69	68			65	64	63	62	61	60	59	58		56		54				
						52		50	49	48	47		45			42	41		38	37	36		34	33				
SALEABLE	NOT APPLICABLE	34566-1183	0	B	ST GRAY	73			32	31	30	29	28	27	26		24	23		20	19	18	17					
SALEABLE	NOT APPLICABLE	34566-1193	0	A	BLACK				49	48	47			44		42				39		37		35		33		
						73																						
SALEABLE	NOT APPLICABLE	34566-1213	0	A	BLACK	72	71		69	68	67	66		64	63	62		60	59						54	53		
						52			49	48		46		44	43	42			39								34	33
						73			32			29			27				23									
SALEABLE	NOT APPLICABLE	34566-1223	0	B	ST GRAY	72	71		69	68	67	66		64	63	62		59							54	53		
						52			49	48		46		44	43	42			39								34	33
						73			32			29			27				23									
SALEABLE	NOT APPLICABLE	34566-1233	0	B	ST GRAY																							
SALEABLE	NOT APPLICABLE	34566-1243	0	B	ST GRAY																							
SALEABLE	NOT APPLICABLE	34566-1253	9	B	ST GRAY																							
SALEABLE	NOT APPLICABLE	34566-1263	9	A	BLACK	NUMBERS IN BOLD MUST USE SAE WIRE MEETING SAE J1128, WIRE SIZE (NO.20) OR (NO.18 MAX. O.D. OF 2.06 MM) PER G.M. DRAWING NUMBER 12582682.																						
						72	71		69	68	67	66		64	63	62		59				56					53	
								50		48		46		44	43	42			39				36	35				
SALEABLE	NOT APPLICABLE	34566-1273	0	A	BLACK	73			32		30	29			27		24	23		20				17				
SALEABLE	NOT APPLICABLE	34566-1283	0	A	BLACK			70	69	68			65	64	63		61		59	58	57	56			54			
						52		50	49	48	47						41			38	37	36		34	33			
						73			32	31	30	29	28	27			24	23							20	19	18	

MX123 52/66/73/80-WAY RECEPTACLE ASSY SEALED PIN OUT SHEET

STATUS	GM PART #	HRNS CONN ASSY			TPA	GROMMET CAP																						
		MATERIAL/PART	WIRE DRESS OPTION	KEY OPTION Fp	COLOR OPTION Fp	NUMBERS INDICATE CAVITIES OPEN FOR CIRCUITS																						
		NUMBER				Fp																						
SALEABLE	NOT APPLICABLE	34566-1293	0	A	BLACK	52		50		68			65		63		61		59	58		56			34	33		
						73				32	31	30	29	28	27			24	23					20	19	18	17	
						73				16				13	12	11	10	9										
SALEABLE	NOT APPLICABLE	34566-1313	0	H	ST GRY	80		78						72	71	70	69	68			66	65	64	63		61		
								58	57	56	55	54	53										46		44	43	42	
						40			37		35				32			30	29				27	26				
SALEABLE	NOT APPLICABLE	34566-1323	0	A	BLACK	72	71	70	69	68	67	66	65	64	63	62		60	59	58	57	56	55	54	53			
						52	51	50	49	48	47	46	45	44	43	42	41	40	39	38	37	36	35	34	33			
						73				32	31	30	29	28	27			25	24	23	22	21	20	19	18	17		
SALEABLE	NOT APPLICABLE	34566-1333	0	A	BLACK			70	69	68			65	64					59	58		56						
						52		50	49								41					38	37	36			34	
						73				32	31	30	29	28	27					23					20	19	18	17
SALEABLE	NOT APPLICABLE	34566-1343	0	A	BLACK																							
								70	69	68																		
						73				32	31	30	29	28	27					23					20	19	18	17
SALEABLE	NOT APPLICABLE	34566-1353	0	H	ST GRY	72	71		69		67		65	64	63				59	58	57	56						
								70	69	68	67	66	65	64	63	62												
						73				32	31	30	29	28	27					23					20	19	18	17
SALEABLE	NOT APPLICABLE	34566-1363	0	A	BLACK																							
								70	69	68	67	66	65	64	63	62												
						73				32	31	30	29	28	27					23					20	19	18	17
SALEABLE	NOT APPLICABLE	34566-1373	0	B	ST GRY																							
						73				32	31	30	29	28	27					23					20	19	18	17
SALEABLE	NOT APPLICABLE	34566-1383	0	B	ST GRY																							
						73				32	31	30	29	28	27					23	22	21						
SALEABLE	NOT APPLICABLE	34566-1393	0	A	BLACK			70			67	66					61			58	57		55	54				
											47		45	44	43	42	41		39			37					34	
						73				32		30				13		11		25	24			21	20	19	18	17
SALEABLE	NOT APPLICABLE	34566-1423	0	B	ST GRY																							
							51	50	49	48	47	46	45		43	42	41	40	39	38	37			35	34	33		
						73				32	31	30						26		24	23	22	21	20				
SALEABLE	NOT APPLICABLE	34566-1433	0	B	ST GRY																							
						73				32																		
SALEABLE	NOT APPLICABLE	34566-1443	0	B	ST GRY																							
						73				32																		
SALEABLE	NOT APPLICABLE	34566-1453	0	B	ST GRY																							
						73				32																		
SALEABLE	NOT APPLICABLE	34566-1463	0	A	BLACK																							
						73				32	31	30	29	28	27				24	23				20	19	18	17	

MX123 52/66/73/80-WAY RECEPTACLE ASSY SEALED PIN OUT SHEET

STATUS	GM PART #	HRNS CONN ASSY			TPA	GROMMET CAP																				
		MATERIAL/PART	WIRE DRESS OPTION	KEY OPTION Fp	COLOR OPTION Fp	NUMBERS INDICATE CAVITIES OPEN FOR CIRCUITS																				
		NUMBER				Fp																				
SALEABLE	NOT APPLICABLE	34566-1473	0	A	BLACK	72	71		69	68	67	66		64	63	62		59					54	53		
						52			49	48		46		44	43	42		39							34	33
						73						32			29		27			24	23					
SALEABLE	NOT APPLICABLE	34566-1483	0	A	BLACK	72	71		69	68				65	64	63		61		59	58		56			
						52		50	49		47						41			38	37	36		34	33	
						73				32	31	30	29	28	27			24	23				20	19	18	17
SALEABLE	NOT APPLICABLE	34566-1493	0	B	ST GRAY					68								59	58	57		55	53			
									49	48		46							39	38	37		35		33	
						73							29						23	22	21				18	17
SALEABLE	NOT APPLICABLE	34566-1513	0	B	ST GRAY								65					59		57		55	53			
									49	48		46						39		37		35		33		
						73							29						23		21				17	
SALEABLE	NOT APPLICABLE	34566-1523	0	A	BLACK			70	69	68			65	64				59	58		56		54			
						52		50	49		47					42	41			38	37	36		34		
						73				32	31	30	29	28	27	26			23				20	19	18	17
SALEABLE	NOT APPLICABLE	34566-1533	0	A	BLACK																					
						52	51	50	49		47						41			38	37	36		34	33	
						73				32	31	30	29	28	27			24	23					20	19	18
SALEABLE	NOT APPLICABLE	34566-1543	0	B	ST GRAY				69	68		66						59		57		55	53			
									49	48		46						39		37		35		33		
						73							29						23		21					
SALEABLE	12582677	34566-1553	0	A	BLACK																					
						73																				
TOOL DESIGN SALEABLE	NOT APPLICABLE	34566-1563	9	A	BLACK																					
73																										
TOOL DESIGN SALEABLE	NOT APPLICABLE	34566-1573	9	H	ST GRAY																					
73																										
SALEABLE	NOT APPLICABLE	34566-1583	0	A	BLACK			70				67	66	65				61		58	57		55	54		
									49		47		45	44	43	42	41		39		37			34		
						73				32		30			27		25	24			21	20	19	18	17	
SALEABLE	NOT APPLICABLE	34566-1593	0	B	ST GRAY					67		65				61	60	59	58	57		54	53			
							51	50	49	48	47	46	45		43	42		40	39		37		34	33		
						73				32	31	30			26		24	23	22	21	20					
SALEABLE	NOT APPLICABLE	34566-1613	0	H	ST GRAY																					
							79	78	77	76	75	74	73	72	71	70	69	68		66	65	64	63		61	
						60	59	58	57	56			53			50						44	43		41	
						40	39	38	37		35	34	33	32		30	29		27	26		24	23	22	21	
SALEABLE	NOT APPLICABLE	34566-1623	0	B	ST GRAY							66	65			62		59		57		55	53			
										48	47				42		39		37		35		33			
						73							29			26		23		21						17
SALEABLE	NOT APPLICABLE	34566-1633	0	B	ST GRAY				69	68		66						59		57		55	53			
								50		48	47							39		37		35		33		
						73							29						23		21					17

MX123 52/66/73/80-WAY RECEPTACLE ASSY SEALED PIN OUT SHEET

STATUS	GM PART #	HRNS CONN ASSY			TPA	GROMMET CAP																						
		MATERIAL/PART	WIRE DRESS OPTION	KEY OPTION Fp	COLOR OPTION Fp	NUMBERS INDICATE CAVITIES OPEN FOR CIRCUITS																						
		NUMBER				Fp																						
SALEABLE	NOT APPLICABLE	34566-1643	0	B	ST GRY				69	68		66							59		57		55		53			
								50		48		46							39		37		35		33			
						73						29						23		21								17
SALEABLE	NOT APPLICABLE	34566-1653	0	B	ST GRY							66						59		57		55		53				
								50		48		46						39		37		35		33				
						73						29						23		21								17
SALEABLE	NOT APPLICABLE	34566-1663	0	B	ST GRY							66						59		57		55		53				
								50		48		46						39		37		35		33				
						73						29						23		21								17
SALEABLE	NOT APPLICABLE	34566-1673	0	A	BLACK	72	71	70	69	68	67	66	65	64	63	62		60	59					55	54	53		
						52			49	48			45	44	43	42	41	40	39							35	34	33
						73						29				27		25	24	23							19	18
SALEABLE	NOT APPLICABLE	34566-1683	0	B	ST GRY							67	66			63			59	58	57	56	55		53			
								50	49	48					43				39	38	37	36	35		33			
						73						29				27				23	22	21						
SALEABLE	NOT APPLICABLE	34566-1693	0	B	ST GRY							66		64				59		57		55		53				
								49	48		46							39		37		35		33				
						73						29							23		21							17
SALEABLE	NOT APPLICABLE	34566-1713	0	B	ST GRY		71	70		68		66	65	64	63		60	59	58	57	56	55	54	53				
							51	50	49	48		46	45		43		41	40	39	38	37	36	35		33			
						73						32	31	30				24	23	22		20	19					
SALEABLE	NOT APPLICABLE	34566-1723	0	B	ST GRY		71	70		68		66	65				60	59	58	57			54	53				
							51	50	49	48		46	45		43		41	40	39	38	37	36	35		33			
						73						32	31	30				24	23	22		20						
SALEABLE	NOT APPLICABLE	34566-1733	0	A	BLACK			70		68	67	66	65				58	57			55							
								49		47			44	43	42	41		39		37		35						
						73						32		30			27		25	24		21	20	19	18	17		
SALEABLE	NOT APPLICABLE	34566-1743	0	A	BLACK			70		67	66	65				58	57			55								
								49		47			44	43	42	41		39		37		35						
						73						32		30			27		25	24		21	20	19	18	17		
SALEABLE	NOT APPLICABLE	34566-1753	0	A	BLACK			70		67	66	65				58	57			55								
								49		47			44	43	42	41		39		37		35						
						73						32				27		25	24		21	20	19	18	17			
SALEABLE	NOT APPLICABLE	34566-1763	0	B	ST GRY					67		65				61	60	59	58	57			54	53				
							51	50	49	48	47	46	45		43		40	39		37		34	33					
						73						32	31	30			26		24	23	22	21	20					
SALEABLE	NOT APPLICABLE	34566-1773	0	C	BLUE	72		70				67	66			63	62			59		57			53			
						52	51					46		44		42		40	39							34	33	
						73								30			27	26	25		22	21	20					
SALEABLE	NOT APPLICABLE	34566-1783	0	C	BLUE					67	66			63	62			59		57				53				
						52	51	70				46		44		42		40	39							34	33	
						73								30			26	25		22	21	20						
SALEABLE	NOT APPLICABLE	34566-1793	0	A	BLACK				69							63	62	61		58	57	56	55	54	53			
						52	51		49				44	43	42	41				37	36	35	34	33				
						73						32			29	28	27	26								19	18	

MX123 52/66/73/80-WAY RECEPTACLE ASSY SEALED PIN OUT SHEET

STATUS	GM PART #	HRNS CONN ASSY			TPA	GROMMET CAP																				
		MATERIAL/PART	WIRE DRESS OPTION	KEY OPTION Fp	COLOR OPTION Fp	NUMBERS INDICATE CAVITIES OPEN FOR CIRCUITS																				
		NUMBER				Fp																				
SALEABLE	NOT APPLICABLE	34566-1813	0	B	ST GRAY	72	71	70		68	67	66				62	61	60	59	58	57	56	55	54	53	
						52	51	50		48	47	46				42	41	40	39	38	37	36	35	34	33	
						73				32	31	30	29	28	27	26	25	24	23							
SALEABLE	NOT APPLICABLE	34566-1823	0	A	BLACK	72	71	70	69	68		66	65	64			61		59	58		56		54	53	
						52		50	49		47					42	41			38	37	36		34	33	
						73				32	31	30	29	28	27	26		24	23	22	21	20	19	18	17	
SALEABLE	NOT APPLICABLE	34566-1833	0	A	BLACK					68		65		63		61		59	58		56					
						52		50			47					41			38	37	36		34	33		
						73				32	31	30	29	28	27		25	24	23			20	19	18	17	
SALEABLE	NOT APPLICABLE	34566-1843	0	A	BLACK					68		65		63		61		59	58		56			53		
						52		50			47					41			38	37	36		34	33		
						73				32	31	30	29	28	27		25	24	23			20	19	18	17	
SALEABLE	NOT APPLICABLE	34566-1853	0	A	BLACK			70	69	68	67		65		63		61	60			57	56	55	54	53	
						52		50	49	48	47			44	43		41	40			37	36	35	34	33	
						73						30	29	28			25	24			21	20	19	18	17	
SALEABLE	NOT APPLICABLE	34566-1863	0	B	ST GRAY					68	67		66	65	64	63										
												46	45		43											
						73				32		30	29	28	27											
SALEABLE	NOT APPLICABLE	34566-1873	0	C	BLUE	72		70			67	66			63	62			59		57			53		
						52	51					46		44		42		40	39						34	33
						73				32		30			27	26	25			22	21	20				
SALEABLE	NOT APPLICABLE	34566-1883	0	A	BLACK			70		68	67	66	65						58	57		55				
								49		47			44	43	42	41	40	39		37		35				
						73				32		30			27		25	24			21	20	19	18	17	
SALEABLE	NOT APPLICABLE	34566-1893	0	C	BLUE			70				66			63			59		57				53		
						52	51					46		44		42		40	39						34	33
						73				32		30			27	26	25			22	21	20				
SALEABLE	NOT APPLICABLE	34566-1913	0	B	ST GRAY	72		70		68		66					60	59					55	54	53	
						52		50		48		46					40	39						35	34	33
						73				32	31	30	29	28	27	26	25	24								
SALEABLE	NOT APPLICABLE	34566-1923	0	A	BLACK				69						63				58		56	55	54	53		
						52	51		49				44	43	42	41						36	35	34	33	
						73				32				28		26							19	18		
SALEABLE	NOT APPLICABLE	34566-1933	0	A	BLACK			70			67	66	65					58	57		55					
								49		47			44	43	42	41	40	39		37		35				
						73				32		30			27		25	24			21	20	19	18	17	
SALEABLE	NOT APPLICABLE	34566-1943	0	A	BLACK			70			67	66	65					58	57		55					
							51		49		47			44	43	42	41	40	39		37		35			
						73				32		30			27		25	24			21	20	19	18	17	
SALEABLE	NOT APPLICABLE	34566-1953	0	C	BLUE			70				66			63			59		57				53		
						52	51			48	47	46		44		42		40	39						34	33
						73						30				26	25			22	21	20				
SALEABLE	NOT APPLICABLE	34566-1963	0	C	BLUE			70				66			63			59		57				53		
						52	51					46		44		42		40	39						34	33
						73						30				26	25			22	21	20				

MX123 52/66/73/80-WAY RECEPTACLE ASSY SEALED PIN OUT SHEET

STATUS	GM PART #	HRNS CONN ASSY			TPA	GROMMET CAP																						
		MATERIAL/PART	WIRE DRESS OPTION	KEY OPTION Fp	COLOR OPTION Fp	NUMBERS INDICATE CAVITIES OPEN FOR CIRCUITS																						
		NUMBER				Fp																						
SALEABLE	NOT APPLICABLE	34566-1973	0	A	BLACK	52	51		69														56	55	54	53		
									49						44	63	42	41							36	35	34	33
						73				32				28		26			23					21			19	18
SALEABLE	NOT APPLICABLE	34566-1983	0	B	ST GRAY																							
						73																						
SALEABLE	NOT APPLICABLE	34566-1993	0	C	BLUE																							
						73																						
SALEABLE	NOT APPLICABLE	34566-2013	0	A	BLACK		71	70					65					60	59	58	57				54	53		
							51	50	49	48		46	45		43		41	40	39		37	36	35					33
						73				32	31	30						24	23	22		20						
SALEABLE	NOT APPLICABLE	34566-2023	0	A	BLACK			70		68	67	66	65							58	57				55			
									49		47			44	43	42	41		39		37		35					
						73				32		30				27		25	24			21	20	19	18	17		
SALEABLE	NOT APPLICABLE	34566-2033	0	A	BLACK		71	70					65	64				60	59	58	57				54	53		
							51	50	49	48		46	45		43		41	40	39		37	36	35					33
						73				32	31	30						24	23	22		20						
SALEABLE	NOT APPLICABLE	34566-2043	0	A	BLACK			70			67	66	65						58	57				55				
									49		47			44	43	42	41		39		37		35					
						73				32		30				27		25	24			21	20	19	18	17		
SALEABLE	NOT APPLICABLE	34566-2053	0	B	ST GRAY			70		68	67	66	65						58	57				55				
									49		47			44	43	42	41		39		37		35					
						73				32		30				27		25	24	23		21	20	19	18			
SALEABLE	NOT APPLICABLE	34566-2063	0	H	ST GRAY			78						72	71	70	69	68		66	65	64	63		61			
								58	57	56			53	52		50						44	43				41	
						40			37		35	34		32		30	29		27	26							22	21
SALEABLE	NOT APPLICABLE	34566-2073	0	H	ST GRAY			78						72	71	70	69	68		66	65	64	63		61			
								58	57	56			53	52		50						44	43				41	
						40			37		35	34		32		30	29		27	26							22	21
SALEABLE	NOT APPLICABLE	34566-2083	0	H	ST GRAY			78						72	71	70	69	68	67	66	65	64	63		61			
								58	57	56			53	52	51	50						44	43				41	
						40			37		35	34		32		30	29		27	26							22	21
SALEABLE	NOT APPLICABLE	34566-2093	0	A	BLACK					68			65		63		61		59	58			56					
						52		50			47					41			38	37	36		34	33				
						73				32	31	30	29	28	27		25	24	23			20	19	18	17			
SALEABLE	NOT APPLICABLE	34566-2113	0	H	ST GRAY		79	78	77	76	75	74	73	72	71	70	69	68		66	65	64	63		61			
						60	59	58	57	56	55		53	52		50						44	43	42	41			
						40	39	38	37		35	34	33	32		30	29		27	26							22	21
SALEABLE	NOT APPLICABLE	34566-2123	0	H	ST GRAY		79	78	77	76	75	74	73	72	71	70	69	68		66	65	64	63		61			
						60	59	58	57	56	55		53	52		50						44	43	42	41			
						40	39	38	37		35	34	33	32		30	29		27	26							22	21
SALEABLE	NOT APPLICABLE	34566-2133	0	B	ST GRAY		71	70					65	64				60	59	58	57			55	54	53		
							51	50	49	48		46	45		43		41	40	39		37	36	35					33
						73				32	31	30						24	23	22		20						

MX123 52/66/73/80-WAY RECEPTACLE ASSY SEALED PIN OUT SHEET

STATUS	GM PART #	HRNS CONN ASSY			TPA	GROMMET CAP																					
		MATERIAL/PART	WIRE DRESS OPTION	KEY OPTION Fp	COLOR OPTION Fp	NUMBERS INDICATE CAVITIES OPEN FOR CIRCUITS																					
		NUMBER				Fp																					
SALEABLE	NOT APPLICABLE	34566-2143	0	B	ST GRAY	71	70					65				60	59	58	57			54	53				
						51	50	49	48		46	45		43		41	40	39		37	36	35			33		
						73			32	31	30					24	23	22		20							
SALEABLE	NOT APPLICABLE	34566-2153	0	A	BLACK			70		68	67	66	65					58	57		55						
								49		47			44	43	42	41		39		37							
						73			32		30			27		25	24	23		21	20	19	18				
SALEABLE	NOT APPLICABLE	34566-2163	0	A	BLACK			70			67	66				61		58		55	54						
								49		47		45	44	43	42	41		39		37							
						73			32					27		24			21	20	19	18	17				
SALEABLE	NOT APPLICABLE	34566-2173	0	A	BLACK			70			67	66	65			61		58		55	54						
								49		47		45	44	43	42	41		39		37							
						73			32		30			27		25	24		21	20	19	18	17				
SALEABLE	NOT APPLICABLE	34566-2183	0	A	BLACK			70			67	66					58	57		55							
								49		47			44	43	42	41		39		37							
						73			32					27		24			21	20	19	18	17				
SALEABLE	NOT APPLICABLE	34566-2193	0	A	BLACK			70			67	66	65				58	57		55							
								49		47			44	43	42	41		39		37							
						73			32		30			27		25	24		21	20	19	18	17				
SALEABLE	NOT APPLICABLE	34566-2213	9	H	ST GRAY		79	78	77	76	75	74	73	72	71	70	69	68		66	65	64	63		61		
						60	59	58	57	56			53			50							44	43		41	
						40	39	38	37		35	34	33	32		30	29		27	26			24	23	22	21	
SALEABLE	NOT APPLICABLE	34566-2223	0	A	BLACK	20	19	18	17			14	13	12	11	10	9	8		6	5		3	2			
						72	71	70	69	68	67	66		64	63	62		60	59				55	54	53		
						52			49	48		46		44	43	42		40	39				35	34	33		
SALEABLE	NOT APPLICABLE	34566-2233	0	A	BLACK	73			32			29		27		24	23			19	18	17					
									16		14	13	12	11		9	8	7	6	5	4	3	2	1			
						52	51		49					44	43	42	41				58		56		54		
SALEABLE	NOT APPLICABLE	34566-2243	0	H	ST GRAY				69						63				58		56		54				
						32					28		26									36	35	34	33		
						73			16			12		10										19	18		
SALEABLE	NOT APPLICABLE	34566-2253	0	A	BLACK		79	78	77	76	75	74	73	72	71	70	69	68		66	65	64	63		61		
						60	59	58	57	56			53	52		50							44	43		41	
						40	39	38	37		35	34	33	32		30	29		27	26			24	23	22	21	
SALEABLE	NOT APPLICABLE	34566-2263	0	A	BLACK	20	19	18	17	16		14	13	12	11	10	9	8		6	5		3	2			
						72	71	70	69	68		66	65	64	63		61		59	58		56		54	53		
						52		50	49		47					42	41			38	37	36		34	33		
SALEABLE	NOT APPLICABLE	34566-2273	0	A	BLACK	73			32	31	30	29	28	27	26		24	23	22	21	20	19	18	17			
									16			13	12	11	10	9	8										1
						52	51	50	49					44	43	42	41						36	35	34	33	
SALEABLE	NOT APPLICABLE	34566-2283	0	B	ST GRAY				69						63	62	61		58	57	56	55	54	53			
						32					28		26										19	18			
						73			16		14		12		10									3			
SALEABLE	NOT APPLICABLE	34566-2293	0	C	BLUE				49		68	67	66	65	64	63					55						
									48		46	45	44	43													
						73			32		30	29	28	27													17
SALEABLE	NOT APPLICABLE	34566-2293	0	C	BLUE			70		68		66			63				59		57			53			
						52	51			48	47	46		44		42		40	39						34	33	
						73					30				26	25			22	21							
						15	14						10	9			6										

MX123 52/66/73/80-WAY RECEPTACLE ASSY SEALED PIN OUT SHEET

STATUS	GM PART #	HRNS CONN ASSY			TPA	GROMMET CAP																						
		MATERIAL/PART	WIRE DRESS OPTION	KEY OPTION Fp	COLOR OPTION Fp	NUMBERS INDICATE CAVITIES OPEN FOR CIRCUITS																						
		NUMBER				Fp																						
SALEABLE	NOT APPLICABLE	34566-2473	0	A	BLACK			70		68	67	66	65						58	57		55						
								49			47		30			44	43	42	41		39			21	20	19	18	17
						73													9	8			6	5		3		1
SALEABLE	NOT APPLICABLE	34566-2483	0	A	BLACK				69							63	62	61			58	57	56	55	54	53		
						52	51		49					44	43	42	41					37	36	35	34	33		
						73					32			29	28	27	26			23						19	18	
SALEABLE	NOT APPLICABLE	34566-2493 SAME AS P/N 34566-3863	0	B	ST GRN	72	71	70		68	67	66				62	61	60	59	58	57	56	55	54	53			
						52	51	50		48	47	46				42	41	40	39	38	37	36	35	34	33			
						73					32	31	30	29	28	27	26	25	24									2
SALEABLE	NOT APPLICABLE	34566-2513	0	C	BLUE	72		70		68	67	66			63	62			59		57				53			
						52	51			48	47	46		44		42		40	39							34	33	
						73					32		30			27	26	25				22	21	20				
SALEABLE	NOT APPLICABLE	34566-2523	0	A	BLACK	72	71	70	69	68	67	66	65	64	63	62		60	59					55	54	53		
						52			49	48			45	44	43	42	41	40	39							35	34	33
						73					32			29	28	27		25	24	23							19	18
SALEABLE	NOT APPLICABLE	34566-2533	0	B	ST GRN						67	66	65			63			59	58	57	56	55	54	53			
								50	49	48		46	45		43				39	38	37	36	35	34	33			
						73							29		27				23	22	21						18	
SALEABLE	NOT APPLICABLE	34566-2543	0	C	BLUE	72		70				66			63			59		57					53			
						52	51					46		44		42		40	39							34	33	
						73					32		30			27	26	25			22	21						
SALEABLE	NOT APPLICABLE	34566-2553	9	B	ST GRN	72	71	70		68	67	66				62	61	60	59	58	57	56	55	54	53			
						52	51	50		48	47	46				42	41	40	39	38	37	36	35	34	33			
						73					32	31	30	29	28	27	26	25	24	23								
SALEABLE	NOT APPLICABLE	34566-2563	9	A	BLACK				69						63	62	61			58	57	56	55	54	53			
						52	51	50	49					44	43	42	41		39			37	36	35	34	33		
						73					32			29	28	27	26									19	18	
SALEABLE	NOT APPLICABLE	34566-2573	9	C	BLUE	72		70			67	66			63	62			59		57				53			
						52	51					46		44		42		40	39							34	33	
						73							30			27	26	25			22	21	20					
SALEABLE	NOT APPLICABLE	34566-2583	0	A	BLACK				69						63				58	57	56	55	54	53				
						52	51	50	49					44	43	42	41		39					36	35	34	33	
						73					32				28		26									19	18	
SALEABLE	NOT APPLICABLE	34566-2593	0	C	BLUE	72		70				66			63	62			59		57				53			
						52	51					46		44		42		40	39							34	33	
						73					32		30			27	26	25			22	21						
SALEABLE	NOT APPLICABLE	34566-2613	9	C	BLUE	72		70			67	66			63	62			59		57				53			
						52	51					46		44		42		40	39							34	33	
						73							30			27	26	25			22	21	20					
SALEABLE	NOT APPLICABLE	34566-2623	0	A	BLACK		71		69	68	67		65	64	63		61		59		57	56						
								50	49		47					41			38	37	36				34	33		
						73					32	31	30	29	28	27		24	23					20	19	18		
SALEABLE	NOT APPLICABLE	34566-2633	0	A	BLACK		71		69	68	67		65	64			61		59		57	56						
								50	49		47					41			38	37	36						33	
						73					32	31	30	29	28	27		24	23					20	19	18		

MX123 52/66/73/80-WAY RECEPTACLE ASSY SEALED PIN OUT SHEET

STATUS	GM PART #	HRNS CONN ASSY			TPA	GROMMET CAP																																																							
		MATERIAL/PART	WIRE DRESS OPTION	KEY OPTION Fp	COLOR OPTION Fp	NUMBERS INDICATE CAVITIES OPEN FOR CIRCUITS																																																							
		NUMBER				Fp																																																							
SALEABLE	NOT APPLICABLE	34566-2643	0	A	BLACK	71	69	68	67	65	64	63	61	59	57	56	34	33	50	49	47	32	31	30	29	28	27	24	23	22	20	19	18	73	16	13	12	11	10	9	7	4																			
						79	78	77	76	75	74	73	72	71	70	69	68	66	65	64	63	61	59	58	57	56	53	50	48	47	44	43	41	40	39	38	37	35	34	32	30	29	27	26	22	21	20	19	18	17	16	13	12	8	6	5	3	2			
						79	78	77	76	75	74	73	72	71	70	69	68	66	65	64	63	61	59	58	57	56	53	50	48	47	44	43	41	40	39	38	37	35	34	32	30	29	27	26	22	21	20	19	18	17	16	13	12	8	6	5	3	2			
SALEABLE	NOT APPLICABLE	34566-2653	0	A	BLACK	71	69	68	67	65	64	61	59	57	56	34	33	50	49	47	32	31	30	29	28	27	24	23	22	20	19	18	73	16	13	12	11	10	9	7	4																				
						79	78	77	76	75	74	73	72	71	70	69	68	66	65	64	63	61	59	58	57	56	53	50	48	47	44	43	41	40	39	38	37	35	34	32	30	29	27	26	22	21	20	19	18	17	16	13	12	8	6	5	3	2			
						79	78	77	76	75	74	73	72	71	70	69	68	66	65	64	63	61	59	58	57	56	53	50	48	47	44	43	41	40	39	38	37	35	34	32	30	29	27	26	22	21	20	19	18	17	16	13	12	8	6	5	3	2			
SALEABLE	NOT APPLICABLE	34566-2663	0	H	ST GRY	79	78	77	76	75	74	73	72	71	70	69	68	66	65	64	63	61	59	58	57	56	53	50	48	47	44	43	41	40	39	38	37	35	34	32	30	29	27	26	22	21	20	19	18	17	16	13	12	8	6	5	3	2			
						79	78	77	76	75	74	73	72	71	70	69	68	66	65	64	63	61	59	58	57	56	53	50	48	47	44	43	41	40	39	38	37	35	34	32	30	29	27	26	22	21	20	19	18	17	16	13	12	8	6	5	3	2			
						79	78	77	76	75	74	73	72	71	70	69	68	66	65	64	63	61	59	58	57	56	53	50	48	47	44	43	41	40	39	38	37	35	34	32	30	29	27	26	22	21	20	19	18	17	16	13	12	8	6	5	3	2			
SALEABLE	NOT APPLICABLE	34566-2673	0	H	ST GRY	79	78	77	76	75	74	73	72	71	70	69	68	66	65	64	63	61	59	58	57	56	53	50	48	47	44	43	41	40	39	38	37	35	34	32	30	29	27	26	22	21	20	19	18	17	16	13	12	8	6	5	3	2			
						79	78	77	76	75	74	73	72	71	70	69	68	66	65	64	63	61	59	58	57	56	53	50	48	47	44	43	41	40	39	38	37	35	34	32	30	29	27	26	22	21	20	19	18	17	16	13	12	8	6	5	3	2			
						79	78	77	76	75	74	73	72	71	70	69	68	66	65	64	63	61	59	58	57	56	53	50	48	47	44	43	41	40	39	38	37	35	34	32	30	29	27	26	22	21	20	19	18	17	16	13	12	8	6	5	3	2			
SALEABLE	NOT APPLICABLE	34566-2683	0	H	ST GRY	78	77	76	75	74	73	72	71	70	69	68	67	66	65	64	63	61	59	58	57	56	53	50	48	47	44	43	41	40	39	38	37	35	34	32	30	29	27	26	22	21	20	19	18	17	16	13	12	8	7	6	5	4	3	2	1
						78	77	76	75	74	73	72	71	70	69	68	67	66	65	64	63	61	59	58	57	56	53	50	48	47	44	43	41	40	39	38	37	35	34	32	30	29	27	26	22	21	20	19	18	17	16	13	12	8	7	6	5	4	3	2	1
						78	77	76	75	74	73	72	71	70	69	68	67	66	65	64	63	61	59	58	57	56	53	50	48	47	44	43	41	40	39	38	37	35	34	32	30	29	27	26	22	21	20	19	18	17	16	13	12	8	7	6	5	4	3	2	1
SALEABLE	NOT APPLICABLE	34566-2693	0	B	ST GRY	71	70	68	66	65	64	63	60	59	58	57	56	55	54	53	51	50	49	48	46	45	43	42	41	40	39	38	37	36	35	33	73	32	31	30	29	28	27	25	24	23	22	20													
						71	70	68	66	65	64	63	60	59	58	57	56	55	54	53	51	50	49	48	46	45	43	42	41	40	39	38	37	36	35	33	73	32	31	30	29	28	27	25	24	23	22	20													
						71	70	68	66	65	64	63	60	59	58	57	56	55	54	53	51	50	49	48	46	45	43	42	41	40	39	38	37	36	35	33	73	32	31	30	29	28	27	25	24	23	22	20													
SALEABLE	NOT APPLICABLE	34566-2713	0	A	BLACK	69	68	65	64	63	61	60	59	58	56	34	33	50	49	47	32	31	30	29	28	27	25	24	23	20	19	18	17	73	16	13	12	11	10	9	7	4																			
						69	68	65	64	63	61	60	59	58	56	34	33	50	49	47	32	31	30	29	28	27	25	24	23	20	19	18	17	73	16	13	12	11	10	9	7	4																			
						69	68	65	64	63	61	60	59	58	56	34	33	50	49	47	32	31	30	29	28	27	25	24	23	20	19	18	17	73	16	13	12	11	10	9	7	4																			
SALEABLE	NOT APPLICABLE	34566-2723	0	B	ST GRY	71	70	68	66	65	64	63	60	59	58	57	56	55	54	53	51	50	49	48	46	45	43	42	41	40	39	38	37	36	35	33	73	32	31	30	29	28	27	25	24	23	22	20	19												
						71	70	68	66	65	64	63	60	59	58	57	56	55	54	53	51	50	49	48	46	45	43	42	41	40	39	38	37	36	35	33	73	32	31	30	29	28	27	25	24	23	22	20	19												
						71	70	68	66	65	64	63	60	59	58	57	56	55	54	53	51	50	49	48	46	45	43	42	41	40	39	38	37	36	35	33	73	32	31	30	29	28	27	25	24	23	22	20	19												
SALEABLE	NOT APPLICABLE	34566-2733	0	A	BLACK	70	68	67	66	65	63	62	59	58	57	56	55	54	53	49	47	44	43	42	41	39	37	36	35	34	33	73	32	30	29	28	27	25	24	23	21	20	19	18	17																
						70	68	67	66	65	63	62	59	58	57	56	55	54	53	49	47	44	43	42	41	39	37	36	35	34	33	73	32	30	29	28	27	25	24	23	21	20	19	18	17																
						70	68	67	66	65	63	62	59	58	57	56	55	54	53	49	47	44	43	42	41	39	37	36	35	34	33	73	32	30	29	28	27	25	24	23	21	20	19	18	17																
SALEABLE	NOT APPLICABLE	34566-2743	0	C	BLUE	72	70	67	66	63	62	59	58	57	56	55	54	53	51	49	44	43	42	41	39	37	36	35	34	33	73	32	30	29	28	27	25	24	23	22	21	20																			
						72	70	67	66	63	62	59	58	57	56	55	54	53	51	49	44	43	42	41	39	37	36	35	34	33	73	32	30	29	28	27	25	24	23	22	21	20																			
						72	70	67	66	63	62	59	58	57	56	55	54	53	51	49	44	43	42	41	39	37	36	35	34	33	73	32	30	29	28	27	25	24	23	22	21	20																			
SALEABLE	NOT APPLICABLE	34566-2753	0	A	BLACK	72	70	67	66	63	62	59	58	57	56	55	54	53	51	49	44	43	42	41	39	37	36	35	34	33	73	32	30	29	28	27	26	25	24	23	22	21	20																		
						72	70	67	66	63	62	59	58	57	56	55	54	53	51	49	44	43	42	41	39	37	36	35	34	33	73	32	30	29	28	27	26	25	24	23	22	21	20																		
						72	70	67	66	63	62	59	58	57	56	55	54	53	51	49	44	43	42	41	39	37	36	35	34	33	73	32	30	29	28	27	26	25	24	23	22	21	20																		
SALEABLE	NOT APPLICABLE	34566-2763	0	B	ST GRY	72	71	70	68	67	66	63	62	61	60	59	58	57	56	55	54	53	52	51	50	48	47	46	44	43	42	41	40	39	38	37	36	35	34	33	73	32	31	30	29	28	27	26	25	24	23	22	21	20							
						72	71	70	68	67	66	63	62	61	60	59	58	57	56	55	54	53	52	51																																					

MX123 52/66/73/80-WAY RECEPTACLE ASSY SEALED PIN OUT SHEET

STATUS	GM PART #	HRNS CONN ASSY			TPA	GROMMET CAP																						
		MATERIAL/PART	WIRE DRESS OPTION	KEY OPTION Fp	COLOR OPTION Fp	NUMBERS INDICATE CAVITIES OPEN FOR CIRCUITS																						
		NUMBER				Fp																						
SALEABLE	NOT APPLICABLE	34566-2813	9	B	ST GRAY	72	71	70	69	68	67	66	65	64		62	61	60	59	58	57	56	55	54				
						52	51	50	49	48		46		44				40				37	36					
						73				32	31	30	29	28	27		25	24					21	20			18	
SALEABLE	NOT APPLICABLE	34566-2823	0	A	BLACK						67	66																
																	41											
						73				32	31	30	29		27		25				22	21			19	18	17	
SALEABLE	NOT APPLICABLE	34566-2833	0	B	ST GRAY	72	71	70	69	68	67	66	65			61	60				57	56	55	54				
						52	51	50	49	48		46		44				40				37	36					
						73				32	31	30	29	28	27			24				21	20	19	18	17		
SALEABLE	NOT APPLICABLE	34566-2843	0	A	BLACK						67	66																
																	41											
						73				32	31	30	29		27		25			22	21			19	18	17		
SALEABLE	NOT APPLICABLE	34566-2853	0	B	ST GRAY	72	71	70	69	68	67	66	65	64	63		61	60				57	56	55	54			
						52	51	50	49	48		46		44				40				37	36					
						73				32	31	30	29	28	27			24				21	20	19	18	17		
SALEABLE	NOT APPLICABLE	34566-2863	0	A	BLACK						67	66																
																		41										
						73				32	31	30	29		27		25			22	21			19	18	17		
SALEABLE	NOT APPLICABLE	34566-2873	0	B	ST GRAY	72	71	70	69	68	67	66							59	58	57	56	55	54				
						52	51	50	49	48	47							40				39	38	37	36	35	33	
						73					15						11	10		8		6	5	4	3			
SALEABLE	NOT APPLICABLE	34566-2883	0	A	BLACK			70	69						63	62	61			58	57	56	55	54	53			
						52	51		49					44	43	42	41					37	36			34		
						73				32			29	28	27	26										19	18	
SALEABLE	NOT APPLICABLE	34566-2893	0	A	BLACK				69		67	66	65		63			60			57	56			53			
									49		47	46		44	43			40				37	36	35			33	
						73					31	30	29	28				24			21	20						17
SALEABLE	NOT APPLICABLE	34566-2913	0	B	ST GRAY					68	67			64					58									
												46	45									38						
						73				32		30	29	28	27					22								17
SALEABLE	NOT APPLICABLE	34566-2923	0	B	ST GRAY						15																	
												46	45															
						73				32		30	29	28	27													17
SALEABLE	NOT APPLICABLE	34566-2933	0	A	BLACK	72			69		67	66	65		63			60			57	56			53			
									49		47		44	43			40				37	36	35				33	
						73					31	30	29	28				24			21	20						17
SALEABLE	NOT APPLICABLE	34566-2943	0	B	ST GRAY					68	67			64	63				59		57							
												46	45			43			39		37							
						73				32		30	29	28	27						21							
SALEABLE	NOT APPLICABLE	34566-2953	0	B	ST GRAY					68	67			64	63				59									
												46	45			43			39								34	
						73				32		30	29	28	27													
SALEABLE	NOT APPLICABLE	34566-2963	0	H	ST GRAY		79						74	73	72	71		69	68	67			64		62	61		
							59						54	53	52			49	48	47							42	41
								38					33						29	28	27			25				

MX123 52/66/73/80-WAY RECEPTACLE ASSY SEALED PIN OUT SHEET

STATUS	GM PART #	HRNS CONN ASSY			TPA	GROMMET CAP																						
		MATERIAL/PART	WIRE DRESS OPTION	KEY OPTION Fp	COLOR OPTION Fp	NUMBERS INDICATE CAVITIES OPEN FOR CIRCUITS																						
		NUMBER				Fp																						
SALEABLE	NOT APPLICABLE	34566-2973	0	G	BLUE	80		78	77		75	74	73	72		70	69		67		65	64	63	62				
						60		58	57		55	54		52	51	50	49		47		45							
						40		38	37				33	32	31				27	26	25	24						
						20		18	17								10	9	8		6	5			3	2	1	
SALEABLE	NOT APPLICABLE	34566-9913	0	A	BLACK	72	71			68	67	66	65	64					59									
								50		48	47	46	45					40	39	38								
						73					31	30						25	24		22	21	20				17	
												14						9	7	6	5	4			2	1		
SALEABLE	NOT APPLICABLE	34566-9923	0	A	BLACK	72	71				67	66				62	61	60			57			55	54			
							51			48		46	45	44	43	42			39						35		33	
						73												26	25	24								
												15	14							8	7	6	5	4	3	2		
SALEABLE	NOT APPLICABLE	34566-9933	0	B	ST GRAY				69				65	64	63													
									49				45	44	43													
						73										12	11					22	21	20	19	18	17	
																						6	5	4	3	2	1	
SALEABLE	NOT APPLICABLE	34566-9943	0	C	BLUE		71		69				65	64			61	60			58		56	55	54			
								50	49			45		43		41				37	36	35						
						73					31		29	28				24	23					19	18	17		
												16		13	12	11				8	7				3	2	1	
SALEABLE	NOT APPLICABLE	34566-9953	0	A	BLACK					67						62		60			57			55				
							51			48		46	45	44	43				39						35			
						73													25									
												15	14							7	6	5	4	3	2			
SALEABLE	NOT APPLICABLE	34566-9963	0	B	ST GRAY					68	67			64	63					58			55					
												46	45		43					38				35				
						73					32		30	29	28	27				22				19		17		
												15		13				10									1	
SALEABLE	NOT APPLICABLE	34566-9973	0	B	ST GRAY					68	67			64	63					58								
												46	45		43					38								
						73					32		30	29	28	27				22							17	
												15		13				10										
SALEABLE	NOT APPLICABLE	34566-2983	9	A	BLACK				70	69					63	62	61			58	57	56	55	54	53			
						52	51		49					44	43	42	41					37	36			34		
						73					32			29	28	27	26								19	18	17	
											16	15		13	12	11	10								3	2	1	
SALEABLE	NOT APPLICABLE	34566-2993	9	B	ST GRAY	72	71	70		68	67	66				62	61	60	59	58	57	56	55	54	53			
						52	51	50		48	47	46				42	41	40	39	38	37	36	35	34	33			
						73					32	31	30	29	28	27	26	25	24									
											16	15	14	13			10	9	8									
SALEABLE	NOT APPLICABLE	34566-3013	9	C	BLUE	72	71	70	69	68	67	66			63	62			59		57	56	55		53			
						52	51					46		44		42		40	39	38						34	33	
						73					32		30				26	25			22	21			19	18		
												15	14				10	9			6	5	4	3				
SALEABLE	NOT APPLICABLE	34566-3023	0	G	BLUE		79			76					71			68		66				61				
							59			56				53					30	29	28			44	43	42	41	
							39			36	35	34													23	22	21	
							19			16	15	14	13	12	11					7					4			
SALEABLE	NOT APPLICABLE	34566-3033	0	H	ST GRAY	80		78	77	76	75					70				66	65		63					
						60		58	57	56	55					51	50				46	45	44	43				
						40	39		37	36	35	34			32	31	30			28			26		24	23	22	
						20	19	18	17	16					13	12							6	5	4	3	2	1
SALEABLE	NOT APPLICABLE	34566-3043	0	C	BLUE	72	71	70		68		66			63	62			59		57				53			
						52	51			48	47	46		44		42		40	39							34	33	
						73					32		30				27	26	25			22	21	20				
												15	14	13				10	9			6	5	4				
SALEABLE	NOT APPLICABLE	34566-3053	0	C	BLUE	72		70		68		66			63	62			59		57				53			
						52	51			48	47	46		44		42		40	39	38						34	33	
						73					32		30				27	26	25			22	21	20				
												15	14	13				10	9			6	5	4				

MX123 52/66/73/80-WAY RECEPTACLE ASSY SEALED PIN OUT SHEET

STATUS	GM PART #	HRNS CONN ASSY			TPA	GROMMET CAP																					
		MATERIAL/PART	WIRE DRESS OPTION	KEY OPTION Fp	COLOR OPTION Fp	NUMBERS INDICATE CAVITIES OPEN FOR CIRCUITS																					
		NUMBER				Fp																					
SALEABLE	NOT APPLICABLE	34566-3063	0	A	BLACK	52	71	69				65	64	63		60		58	57	56	55	54	53				
							51	49				45	44	43	42	41					37	36	35	34	33		
						73			32	30		28		26									19	18			
SALEABLE	NOT APPLICABLE	34566-3073	0	A	BLACK	52	71	69				65	64	63		60		57	56	55	54	53					
							51	49				45	44	43	42	41				37	36	35	34	33			
						73			32	30		28		26		23							19	18			
SALEABLE	NOT APPLICABLE	34566-3083	0	A	BLACK	52	71	69				65	64	63		60		58	57	56	55	54	53				
							51	49				45	44	43	42	41						37	36	35	34	33	
						73			32	30		28		26									19	18			
SALEABLE	NOT APPLICABLE	34566-3093	0	A	BLACK	52	71	69				65	64	63		60		57	56	55	54	53					
							51	49				45	44	43	42	41						37	36	35	34	33	
						73			32	30		28		26		23							19	18			
SALEABLE	NOT APPLICABLE	34566-3113	0	A	BLACK	52	71	69				65	64	63		60		57	56	55	54	53					
							51	49				45	44	43	42	41						37	36	35	34	33	
						73			32	30		28		26		23		21					19	18			
SALEABLE	NOT APPLICABLE	34566-3123	0	B	ST GRAY	72		70				66				60	59					55	54	53			
						52		50				48	46				40	39						35	34	33	
						73			32	31	30	29	28	27	26	25	24										
SALEABLE	NOT APPLICABLE	34566-3133	0	C	BLUE	72		70				66			63	62		59	57					53			
						52	51					48	47	46		44	42		40	39						34	33
						73			32		30			26	25		22	21	20								
SALEABLE	NOT APPLICABLE	34566-3143	0	C	BLUE	72		70				66			63	62		59	57					53			
						52	51					46		44		42		40	39							34	33
						73			32	30				26	25		22	21									
SALEABLE	NOT APPLICABLE	34566-3153	0	A	BLACK	52	71	69						63			58		56				54				
							51	49				47		44	43	42	41					36			34		
						73			32			28		26										19	18		
SALEABLE	NOT APPLICABLE	34566-3163	0	C	BLUE	72		70						63	62		59	57	56	55				53			
						52	51					46		44		42		40	39							34	33
						73			32	30				26	25		22	21						19	18		
SALEABLE	NOT APPLICABLE	34566-3173	0	A	BLACK	52	71	69						63			58		56				54				
							51	49				47		44	43	42	41						36			34	
						73			32			28		26											19	18	17
SALEABLE	NOT APPLICABLE	34566-3183	0	C	BLUE	72		70				66			63	62		59	57	56	55			53			
						52	51					46		44		42		40	39							34	33
						73			32	30				26	25		22	21									
SALEABLE	NOT APPLICABLE	34566-3193	0	A	BLACK	52	71	69						63			58		56	55	54	53					
							51	49				44	43	42	41								36	35	34	33	
						73			32			28		26											19	18	17
SALEABLE	NOT APPLICABLE	34566-3213	0	C	BLUE	72		70				67	66		63	62		59		56				53			
						52	51					46		44		42		40								34	33
						73			32	30				26	25		22	21									
SALEABLE	NOT APPLICABLE	34566-3223	0	C	BLUE	72		70				67	66		63	62		59	57					53			
						52	51					46		44		42		40	39							34	33
						73			32	30			27	26	25		22	21									

MX123 52/66/73/80-WAY RECEPTACLE ASSY SEALED PIN OUT SHEET

STATUS	GM PART #	HRNS CONN ASSY			TPA	GROMMET CAP																												
		MATERIAL/PART	WIRE DRESS OPTION	KEY OPTION Fp	COLOR OPTION Fp	NUMBERS INDICATE CAVITIES OPEN FOR CIRCUITS																												
		NUMBER				Fp																												
SALEABLE	NOT APPLICABLE	34566-3233	0	A	BLACK	70	69									63	62	61						58	57	56	55	54	53					
						52	51		49					44	43	42	41												36		19	18		
						73				32				29	28	27	26															3		
SALEABLE	NOT APPLICABLE	34566-3243	0	C	BLUE	72		70							66			63	62					59		57				53				
						52	51						46		44		42			40	39										34	33		
						73				32		30					26	25			22	21												
SALEABLE	NOT APPLICABLE	34566-3253	0	A	BLACK	70	69										63								58		56	55	54	53				
						52	51		49					44	43	42	41												36		19	18		
						73				32				28		26																3		
SALEABLE	NOT APPLICABLE	34566-3263	0	C	BLUE	72		70							66			63	62					59		57	56	55	54	53				
						52	51						46		44		42			40	39										34	33		
						73				32		30					26	25			22	21										19	18	
SALEABLE	NOT APPLICABLE	34566-3273	0	A	BLACK	70	69											63								58		56	55	54	53			
						52	51		49					44	43	42	41													36		19	18	
						73				32				28		26																	3	
SALEABLE	NOT APPLICABLE	34566-3283	0	C	BLUE	72		70							66			63	62					59		57	56	55	54	53				
						52	51						46		44		42			40	39											34	33	
						73				32		30					26	25			22	21											19	18
SALEABLE	NOT APPLICABLE	34566-3293	0	B	ST GRAY	72	71	70							68	67	66						62	61	60	59	58	57	56	55	54	53		
						52	51	50						48	47					42	41	40	39	38	37	36	35	34	33					
						73				32	31	30	29	28	27	26	25	24	23															
SALEABLE	NOT APPLICABLE	34566-3313	0	C	BLUE	72		70										63	62					59		57					53			
						52	51						46		44		42			40	39											34	33	
						73				32		30					26	25			22	21												
SALEABLE	NOT APPLICABLE	34566-3323	0	B	ST GRAY					68	67	66	65	64	63										58			55						
									49				48		46	45	44	43									38							
						73				32		30	29	28	27																			17
SALEABLE	NOT APPLICABLE	34566-3333	0	A	BLACK	72	71	70	69						68			65	64	63			61		59	58	57	56		54				
						52	51	50	49					47						42	41			40	39	38	37	36		34	33			
						73				32	31	30	29	28	27	26		24	23											20	19	18	17	
SALEABLE	NOT APPLICABLE	34566-3343	0	A	BLACK	72				69					67	66	65			63					60		57	56		53				
									49				47			44	43	42		40							37	36	35		33			
						73				32		30	29	28		26		24										21	20				17	
SALEABLE	NOT APPLICABLE	34566-3353	0	B	ST GRAY					68	67			64										59	58				54					
													46	45													39	38						
						73				32		30	29	28	27													23	22				17	
SALEABLE	NOT APPLICABLE	34566-3363	0	A	BLACK		71		69						68			65	64	63			61		59		57	56		54				
						52		50	49					47						42	41	40	39	38	37	36		34	33					
						73				32	31	30	29	28	27	26		24	23	22										20	19	18		
SALEABLE	NOT APPLICABLE	34566-3373	9	C	BLUE	72		70							68	67	66			63	62			59		57	56	55	54	53				
						52	51						48	47	46		44		42		40	39	38								34	33		
						73				32		30					26	25			22	21										19	18	
SALEABLE	NOT APPLICABLE	34566-3383	0	A	BLACK			70	69						68			65	64	63			61		59	58	57	56		54				
						52		50	49				48	47					42	41			40	39	38	37	36		34	33				
						73				32	31	30	29	28	27	26		24	23											20	19	18		1

MX123 52/66/73/80-WAY RECEPTACLE ASSY SEALED PIN OUT SHEET

STATUS	GM PART #	HRNS CONN ASSY			TPA	GROMMET CAP																				
		MATERIAL/PART	WIRE DRESS OPTION	KEY OPTION Fp	COLOR OPTION Fp	NUMBERS INDICATE CAVITIES OPEN FOR CIRCUITS																				
		NUMBER				Fp																				
SALEABLE	NOT APPLICABLE	34566-3733	0	B	ST GRAY	72	71	70		68	67	66				62	61	60	59	58	57	56	55	54	53	
						52	51	50		48	47	46				42	41	40	39	38	37	36	35	34	33	
						73				32	31	30	29	28	27	26	25	24	23							
SALEABLE	NOT APPLICABLE	34566-3743	0	C	BLUE	72		70		68		66			63	62			59		57			53		
						52	51			48	47	46		44		42		40	39	38					34	33
						73				32		30			27	26	25			22	21					
SALEABLE	NOT APPLICABLE	34566-3753	0	C	BLUE	72		70		68		66			63	62			59		57			53		
						52	51			48	47	46		44		42		40	39						34	33
						73				32		30			27	26	25			22	21					
SALEABLE	NOT APPLICABLE	34566-3763	0	C	BLUE	72		70		68		66			63	62			59		57	56	55	54	53	
						52	51			48	47	46		44		42		40	39						34	33
						73				32		30			27	26	25			22	21					
SALEABLE	NOT APPLICABLE	34566-3773	0	A	BLACK			70	69						63				58		56	55	54	53		
						52	51	50	49					44	43	42	41		39					36		34
						73				32					28		26								19	18
SALEABLE	NOT APPLICABLE	34566-3783	0	A	BLACK			70	69						63				58		56	55	54	53		
						52	51	50	49					44	43	42	41		39					36		34
						73				32					28		26								19	18
SALEABLE	NOT APPLICABLE	34566-3793	0	A	BLACK		71	70						64	63			60		58	57	56	55	54	53	
						52	51		49				45	44	43	42	41				37	36			34	
						73				32		30			28		26		23		21				19	18
SALEABLE	NOT APPLICABLE	34566-3813	0	C	BLUE	72		70		68		66			63	62			59		57			53		
						52	51			48	47	46		44		42		40	39	38	37	36			34	33
						73				32		30			26	25	24			22	21	20				
SALEABLE	NOT APPLICABLE	34566-3823	0	A	BLACK			70	69						63		61		58	57	56	55	54	53		
						52	51		49				44	43	42	41				37	36			34		
						73				32					27	26								19	18	
SALEABLE	NOT APPLICABLE	34566-3833	0	A	BLACK			70	69						63	62	61			57	56	55	54	53		
						52	51		49				44	43	42	41				37	36			34		
						73				32			29	28	27	26			23					19	18	
SALEABLE	NOT APPLICABLE	34566-3843	0	A	BLACK	72	71	70	69	68	67	66			64	63	62		60	59			55	54	53	
						52			49	48				44	43	42	41	40	39					35	34	33
						73				32			29	28	27		25	24	23					19	18	17
SALEABLE	NOT APPLICABLE	34566-3853	0	A	BLACK	72	71	70	69	68	67	66	65	64	63	62		60	59			55	54	53		
						52			49	48			45	44	43	42	41	40	39				35	34	33	
						73				32			29	28	27		25	24	23					19	18	17
SALEABLE	NOT APPLICABLE	34566-3863	0	B	ST GRAY										63				59	58	57	56	55	54	53	
						52	51	50		48	47	46				42	41	40	39	38	37	36	35	34	33	
						73				32	31	30	29	28	27	26	25	24								2
SALEABLE	NOT APPLICABLE	34566-3873	0	B	ST GRAY										63				59	58	57	56	55	54	53	
						52			49	48		46	45			43				39	38	37	36	35	34	
						73				32			29	28	27		25	24	23					19	18	
SALEABLE	NOT APPLICABLE	34566-3883	0	B	ST GRAY													59	58	57	56	55	54	53		
						52			49	48			45						39	38	37	36	35	34	33	
						73				32			29						23	22	21				18	

MX123 52/66/73/80-WAY RECEPTACLE ASSY SEALED PIN OUT SHEET

STATUS	GM PART #	HRNS CONN ASSY			TPA	GROMMET CAP																									
		MATERIAL/PART	WIRE DRESS OPTION	KEY OPTION Fp	COLOR OPTION Fp	NUMBERS INDICATE CAVITIES OPEN FOR CIRCUITS																									
		NUMBER				Fp																									
SALEABLE	NOT APPLICABLE	34566-4063	0	B	ST GRY					68	67			64					59	58					54						
SALEABLE	NOT APPLICABLE	34566-4073	0	A	BLACK	72			70					66			63	62			59		57	56	55		53				
						52	51					46		44		42		40	39		37	36					34	33			
SALEABLE	NOT APPLICABLE	34566-4083	0	C	BLUE	72			70					68			63	62			59	58	57				53				
						52	51					48	47			44		42		40	39	38	37	36			34	33			
SALEABLE	NOT APPLICABLE	34566-4093	0	A	BLACK		71	70	69					67			64	63			60			57	56	55	54	53			
						52	51		49				47		45	44	43	42	41								37	36		34	
SALEABLE	NOT APPLICABLE	34566-4113	0	B	ST GRY					68	67																				
SALEABLE	NOT APPLICABLE	34566-4123	9	A	BLACK	72				69				67	66	65		63			60			57	56			53			
									49				47	46		44	43	42		40							37	36	35		33
SALEABLE	NOT APPLICABLE	34566-4133	9	B	ST GRY					68	67																				
SALEABLE	NOT APPLICABLE	34566-4143	0	B	ST GRY					68	67																				
SALEABLE	NOT APPLICABLE	34566-4153	0	B	ST GRY	72			70					68			66				60	59					55	54	53		
						52		50				48		46		44				40	39							35	34	33	
SALEABLE	NOT APPLICABLE	34566-4163	0	B	ST GRY	72			70					68			66				60	59					55	54	53		
						52		50				48		46					40	39								35	34	33	
SALEABLE	NOT APPLICABLE	34566-4173	0	A	BLACK	72	71	70	69							64	63			60	59	58			56	55	54	53			
						52	51		49				47		45	44	43	42	41								38	36		34	
SALEABLE	NOT APPLICABLE	34566-4183	0	C	BLUE	72			70					68			66			63	62			59	58	57			53		
						52	51					48	47	46		44		42		40	39								34	33	
SALEABLE	NOT APPLICABLE	34566-4193	0	C	BLUE		71		69							65	64			61	60			58		56	55	54			
								50	49						45		43		41									38	37	36	35
SALEABLE	NOT APPLICABLE	34566-4213	0	A	BLACK	72	71							68	67	66	65	64			60	59	58								
								50				48	47	46	45							40	39	38					35		
SALEABLE	NOT APPLICABLE	34566-4223	0	A	BLACK	72	71							68	67	66	65	64			60	59									
								50				48	47	46	45							40	39	38					35	33	

MX123 52/66/73/80-WAY RECEPTACLE ASSY SEALED PIN OUT SHEET

STATUS	GM PART #	HRNS CONN ASSY			TPA	GROMMET CAP																						
		MATERIAL/PART	WIRE DRESS OPTION	KEY OPTION Fp	COLOR OPTION Fp	NUMBERS INDICATE CAVITIES OPEN FOR CIRCUITS																						
		NUMBER				Fp																						
SALEABLE	NOT APPLICABLE	34566-4393	0	G	BLUE			78	77		75	74		72		70	69		67		65	64	63	62				
						60		58	57		55	54		52	51	50	49		47		45							
						40		38	37					33	32	31				27	26	25	24					
						20		18	17									10	9	8		6	5			3	2	1
SALEABLE	NOT APPLICABLE	34566-4413	0	B	ST GRAY									63			59	58	57	56	55		53					
								50	49	48		46		43			39	38	37	36	35	34	33					
						73						29		27				23	22	21						18		
											16	15	14							7	6	5	4	3				
SALEABLE	NOT APPLICABLE	34566-4423	9	C	BLUE	72		70		68	67	66		63	62		59		57						53			
						52	51			48	47	46		44		42		40	39	38	37	36			34	33		
						73						32		30			27	26	25	24		22	21					
												15	14					10	9	8		6	5	4			2	
SALEABLE	NOT APPLICABLE	34566-4433	9	A	BLACK			70	69					63	62	61	60		58	57	56	55	54	53				
						52	51	50	49				44	43	42	41	40			37	36				34	33		
						73						32			29	28	27	26								19	18	
											16	15	14	13	12	11	10										3	
SALEABLE	NOT APPLICABLE	34566-4443	9	A	BLACK					67	66																	
										48	47						41											
						73						32	31	30	29		27	26	25			22	21			19	18	17
											16	15	14	13														1
SALEABLE	NOT APPLICABLE	34566-4453	0	A	BLACK	72	71	70	69	68			65	64	63	62	61	60	59	58	57	56	55	54	53			
						52	51	50	49	48		46	45	44	43	42	41	40	39	38	37	36	35	34	33			
						73									28				24	23						20		
															12	11											2	1
SALEABLE	NOT APPLICABLE	34566-4463	9	B	ST GRAY									63										53				
										48	47		45		43	42		39							35	34	33	
						73											11									19		1
SALEABLE	NOT APPLICABLE	34566-4473	0	B	ST GRAY								64	63	62		59	58						53				
										47		45		43	42		39								35	34	33	
						73											26	25		23	22							
																											3	1
SALEABLE	NOT APPLICABLE	34566-4483	9	C	BLUE	72		70		68	67	66		63	62		59	58	57	56	55			53				
						52	51		49	48	47	46		44		40	39	38	37	36				34	33			
						73						32		30			27	26	25	24	23	22	21	20	19	18	17	
												15	14	13				10	9	8	7	6	5	4	3	2	1	
SALEABLE	NOT APPLICABLE	34566-4493	9	A	BLACK	72	71	70	69		67			64	63	62	61	60	59	58	57	56	55	54	53			
						52	51	50	49	48	47		45	44	43	42	41	40	39		37	36			34			
						73						32		30	29	28	27	26		24	23		21		19	18	17	
											16	15	14	13	12	11	10			8			5			3	2	1
SALEABLE	NOT APPLICABLE	34566-4513	9	B	ST GRAY	72	71	70		68	67	66				62	61	60	59	58	57	56	55	54	53			
						52	51	50		48	47	46				42	41	40	39	38	37	36	35	34	33			
						73						32	31	30	29	28	27	26	25	24	23					19	18	17
											16	15	14	13				10		8	7					3	2	1
SALEABLE	NOT APPLICABLE	34566-4523	0	G	BLUE			78	77		75	74		72		70	69		67		65	64	63	62				
						60		58	57		55	54		52	51	50	49		47		45							
						40		38	37						33	32	31				27	26	25	24				
						20		18	17										10	9	8		6	5			3	2
SALEABLE	NOT APPLICABLE	34566-4533	0	A	BLACK	72			69		67		65		63		60			57	56				53			
									49		47			44	43			40			37	36	35			33		
						73								31	30	29	28			24			21	20			17	
											16	15	14	13				11	10				5	4	3	2	1	
SALEABLE	NOT APPLICABLE	34566-4543	0	B	ST GRAY					68	67			64	63			58	57			55		53				
												46	45		43					38	37			35				
						73						32		30	29	28	27					22	21			19		17
																12		10										1
SALEABLE	NOT APPLICABLE	34566-4553	0	B	ST GRAY					68	67			64	63			58	57					53				
												46	45		43					38	37							
						73						32		30	29	28	27					22	21				17	
																12		10										

MX123 52/66/73/80-WAY RECEPTACLE ASSY SEALED PIN OUT SHEET

STATUS	GM PART #	HRNS CONN ASSY			TPA	GROMMET CAP																					
		MATERIAL/PART	WIRE DRESS OPTION	KEY OPTION Fp	COLOR OPTION Fp	NUMBERS INDICATE CAVITIES OPEN FOR CIRCUITS																					
		NUMBER				Fp																					
SALEABLE	NOT APPLICABLE	34566-4733	0	A	BLACK	72	71	70	69					64	63			60	59	58		56	55	54	53		
						52	51		49		47		45	44	43	42	41							36			
						73				32		30		28		26							21		19	18	
SALEABLE	NOT APPLICABLE	34566-4743	9	A	BLACK	72	71	70	69		67		65	64	63	62	61	60	59	58	57	56	55	54	53		
						52	51	50	49	48	47		45	44	43	42	41	40	39			37	36			34	
						73				32		30	29	28	27	26		24	23			21		19	18	17	
SALEABLE	NOT APPLICABLE	34566-4753	0	B	ST GRY					68	67			64					58								
											46	45									38						
						73				32		30	29	28	27						22						17
SALEABLE	NOT APPLICABLE	34566-4763	0	B	ST GRY					68	67			64													
											46	45															
						73				32		30	29	28	27												
SALEABLE	NOT APPLICABLE	34566-4773	0	B	ST GRY					68	67			64				59	58					54			
											46	45							39	38							
						73				32		30	29	28	27				23	22							
SALEABLE	NOT APPLICABLE	34566-4783	0	B	ST GRY					68	67			64	63					58				55			
											46	45			43						38				35		
						73				32		30	29	28	27						22				19		
SALEABLE	NOT APPLICABLE	34566-4793	0	B	ST GRY					68	67			64	63					58							
											46	45			43						38						
						73				32		30	29	28	27						22						
SALEABLE	NOT APPLICABLE	34566-4813	9	B	ST GRY					68	67			64				59	58						54		
											46	45							39	38							
						73				32		30	29	28	27				23	22							
SALEABLE	NOT APPLICABLE	34566-4823	0	C	BLUE					68	67	66	65	64					59	58	57		55	54	53		
							51	50	49	48		46	45		43	42	41	40	39	38	37			35			33
						73				32	31	30				26		24	23	22				20			
SALEABLE	NOT APPLICABLE	34566-4833	0	C	BLUE	72			70		68	67	66			63	62			59		57			53		
						52	51			48	47	46		44		42		40	39			37	36			34	33
						73				32		30			27	26	25	24			22	21					
SALEABLE	NOT APPLICABLE	34566-4843	0	C	BLUE	72			70		68	67	66			63	62			59		57			53		
						52	51			48	47	46		44		42		40	39	38	37	36				34	33
						73				32		30			27	26	25	24			22	21					
SALEABLE	NOT APPLICABLE	34566-4853	0	C	BLUE	72			70		68		66			63	62			59		57	56	55		53	
						52	51			48	47	46		44		42		40	39			37	36			34	33
						73				32		30			27	26	25	24			22	21			19	18	
SALEABLE	NOT APPLICABLE	34566-4863	0	C	BLUE	72			70		68		66			63	62			59		57			53		
						52	51			48	47	46		44		42		40	39	38	37	36				34	33
						73				32		30			27	26	25	24			22	21					
SALEABLE	NOT APPLICABLE	34566-4873	0	C	BLUE	72			70		68		66			63	62			59		57			53		
						52	51			48	47	46		44		42		40	39			37	36			34	33
						73				32		30			27	26	25	24			22	21					
SALEABLE	NOT APPLICABLE	34566-4883	9	A	BLACK	72				69		67		65		63			60		57	56			53		
									49		47	46		44	43			40			37	36	35				33
						73				32		30	29	28				24			21	20					
						16	15	14	13					11	10					5	4	3	2	1			

MX123 52/66/73/80-WAY RECEPTACLE ASSY SEALED PIN OUT SHEET

STATUS	GM PART #	HRNS CONN ASSY			TPA	GROMMET CAP																					
		MATERIAL/PART	WIRE DRESS OPTION	KEY OPTION Fp	COLOR OPTION Fp	NUMBERS INDICATE CAVITIES OPEN FOR CIRCUITS																					
		NUMBER				Fp																					
SALEABLE	NOT APPLICABLE	34566-5063	9	H	ST GRAY	80	79	78	77	76	75	74	73	72	71	70	69	68	67	66	65	64	63	62	61		
						60	59	58	57	56	55	54	53	52	51	50	49	48	47	46	45	44	43	42	41		
						40	39	38	37		35	34	33	32		30	29		27	26		24	23	22	21		
						20	19	18	17			14	13	12	11	10	9	8		6	5		3	2			
SALEABLE	NOT APPLICABLE	34566-5073	9	A	BLACK	72	71	70	69	68	67	66	65	64	63	62	61	60	59	58	57	56	55	54	53		
						52	51	50	49	48	47	46	45	44	43	42	41	40	39	38	37	36		34	33		
						73				32	31	30	29	28	27	26		24	23	22	21	20	19	18			
						73				16			13	12	11	10	9	8									1
SALEABLE	NOT APPLICABLE	34566-5083	9	A	BLACK			70	69						63	62	61	60		58	57	56	55	54	53		
						52	51		49				44	43	42	41			38	37					34		
						73				32			29	28	27	26			23						19	18	
						73				16	15		13	12	11	10		8							3		
SALEABLE	NOT APPLICABLE	34566-5093	0	B	ST GRAY	72	71	70	69	68	67	66	65	64	63	62	61	60	59	58	57	56	55	54	53		
						52	51	50	49	48	47	46	45	44	43	42	41	40	39	38	37	36	35	34	33		
						73							29		27				23	22	21					18	
						73				16	15	14	13						8	7	6	5	4	3			
SALEABLE	NOT APPLICABLE	34566-5113	0	A	BLACK	72	71	70	69	68	67	66		64	63	62		60	59				55	54	53		
						52			49	48				44	43	42	41	40	39					35	34	33	
						73				32			29		27		25	24	23						19	18	17
						73				16			13	12	11	10	9	8	7	6	5	4	3	2	1		
SALEABLE	NOT APPLICABLE	34566-5123	9	C	BLUE	72		70		68	67	66			63	62		59		57				53			
						52	51			48	47	46	45	44			40	39	38	37	36			34	33		
						73				32		30			27	26	25	24		22	21	20					
						73					15	14				10	9	8		6	5	4			2		
SALEABLE	NOT APPLICABLE	34566-5133	9	B	ST GRAY	72	71	70		68	67	66			62	61	60	59	58	57	56	55	54	53			
						52	51	50		48	47	46			42	41	40	39	38	37	36	35	34	33			
						73				32	31	30	29	28	27	26	25	24	23								
						73				16	15	14	13						10	9	8						
SALEABLE	NOT APPLICABLE	34566-5143	0	C	BLUE	72		70		68	67	66			63	62		59		57				53			
						52	51			48	47	46		44		42		40	39		37	36		34	33		
						73				32		30				26	25	24		22	21	20					
						73					15	14				10	9	8		6	5	4			2		
SALEABLE	NOT APPLICABLE	34566-5153	0	A	BLACK			70	69						63	62	61	60		58	57	56	55	54	53		
						52	51		49		47			44	43	42	41			37	36	35	34	33			
						73				32			29	28	27	26	25							19	18		
						73				16	15		13	12	11	10									3		
SALEABLE	NOT APPLICABLE	34566-5163	9	A	BLACK	72			69		67		65		63			60			57	56			53		
									49		47			44	43			40			37	36	35			33	
						73					31	30	29	28				24			21	20				17	
						73				16	15	14			11	10				5	4	3	2	1			
SALEABLE	NOT APPLICABLE	34566-5173	9	B	ST GRAY					68	67			64	63			59		57							
												46	45		43			39		37							
						73				32		30	29	28	27					21							
						73										10				6	5	4	3				
SALEABLE	NOT APPLICABLE	34566-5183	0	B	ST GRAY					68	67			64				59	58				54				
												46	45	44				39	38								
						73				32		30	29	28	27				23	22						17	
						73								12		10		8								1	
SALEABLE	NOT APPLICABLE	34566-5193	0	A	BLACK			70	69						63	62	61	60		58	57	56	55	54	53		
						52	51		49					44	43	42	41			37	36			34			
						73				32			29	28	27	26								19	18	17	
						73				16	15		13	12	11	10								3	2	1	
SALEABLE	NOT APPLICABLE	34566-5213	0	A	BLACK	72	71	70	69	68	67	66	65	64	63	62	61	60	59				55	54	53		
						52			49	48				44	43	42	41	40	39					35	34	33	
						73				32			29		27		25	24	23					19	18	17	
						73				16			13	12	11		9	8	7	6	5	4	3	2	1		
SALEABLE	NOT APPLICABLE	34566-5223	0	C	BLUE	72		70			67	66			63	62		59		57				53			
						52	51			48		46		44		42		40	39					34	33		
						73				32		30			27	26	25		22	21							
						73					15	14				10	9		6	5	4						

MX123 52/66/73/80-WAY RECEPTACLE ASSY SEALED PIN OUT SHEET

STATUS	GM PART #	HRNS CONN ASSY			TPA	GROMMET CAP																							
		MATERIAL/PART	WIRE DRESS OPTION	KEY OPTION Fp	COLOR OPTION Fp	NUMBERS INDICATE CAVITIES OPEN FOR CIRCUITS																							
		NUMBER				Fp																							
SALEABLE	NOT APPLICABLE	34566-5563	0	A	BLACK	72	71	70	69					64	63			60	59	58	57	56	55	54	53				
						52	51		49	48	47		45	44	43	42	41								36		34	33	
						73				32		30		28		26										19	18	17	
SALEABLE	NOT APPLICABLE	34566-5573	0	C	BLUE	72		70		68		66			63	62			59	58	57	56	55		53				
						52	51		49	48	47	46		44		42		40	39	38	37	36			34	33			
						73				32		30				26	25	24	23	22	21	20	19	18	17				
SALEABLE	NOT APPLICABLE	34566-5583	0	B	ST GRAY	72		70		68		66		64	63			60	59					55	54	53			
						52		50		48		46				40	39								35	34	33		
						73				32	31	30	29	28	27	26	25	24	23			20						2	1
SALEABLE	NOT APPLICABLE	34566-5593	0	C	BLUE	72		70		68		66			63	62			59		57				55	54	53		
						52	51			48	47	46		44		42		40	39								34	33	
						73				32		30				26	25		23	22	21								
SALEABLE	NOT APPLICABLE	34566-5613	0	C	BLUE	72		70		68		66			63	62			59	58	57				55	54	53		
						52	51			48	47			44		42		40	39		37	36					34	33	
						73				32		30			27	26	25	24	23	22	21	20						2	1
SALEABLE	NOT APPLICABLE	34566-5623	0	C	BLUE	72		70		68		66			63	62			59		57				55	54	53		
						52	51			48	47			44		42		40	39		37	36					34	33	
						73				32		30			27	26	25	24	23	22	21	20						2	
SALEABLE	NOT APPLICABLE	34566-5633	0	B	ST GRAY	72										62	61												
						52				48		46		44	43		41	40								20	19	18	
						73				16	15	14														4			
SALEABLE	NOT APPLICABLE	34566-5643	0	B	ST GRAY	72										62	61												
						52				48		46			43		41	40									20	19	18
						73				16	15	14														4			
SALEABLE	NOT APPLICABLE	34566-5653	0	A	BLACK	72	71	70	69	68		66	65	64	63		61	60			57	56			54	53			
						52	51	50	49	48		46	45	44	43		41	40	39	38	37	36					34	33	
						73				32	31	30	29	28		26	25		23	22	21								2
SALEABLE	NOT APPLICABLE	34566-5663	0	C	BLUE				69		67	66	64		62		60			57			55	54					
						52	51	50		48		46	45	44		42						37				35	34	33	
						73				32	31			28	27	26										19	18		
SALEABLE	NOT APPLICABLE	34566-5673	0	C	BLUE				69		67	66	64		62		60			57			55	54					
						52	51	50	49	48		46	45	44		42		41				37				35	34	33	
						73				32	31			28	27	25												18	
SALEABLE	NOT APPLICABLE	34566-5683	0	B	ST GRAY	72										62	61												
						52				48		46		44	43		41	40								20	19	18	
						73				16		14														4			
SALEABLE	NOT APPLICABLE	34566-5693	0	A	BLACK	72	71	70	69	68		66	65	64	63		61	60			57	56			54	53			
						52	51	50	49	48		46	45	44	43		41	40	39	38	37	36					34	33	
						73				32	31	30	29	28		26	25		23	22	21	20							2
SALEABLE	NOT APPLICABLE	34566-5713	0	C	BLUE				69		67	66	64		62		60			57			55	54					
						52	51	50		48		46	45	44		42						37				35	34	33	
						73				32	31			28	27	26											19	18	17
SALEABLE	NOT APPLICABLE	34566-5723	0	C	BLUE				69		67	66	64		62		60			57			55	54					
						52	51	50	49	48		46	45	44		42		41				37				35	34	33	
						73					31			28	27	25												18	

MX123 52/66/73/80-WAY RECEPTACLE ASSY SEALED PIN OUT SHEET

STATUS	GM PART #	HRNS CONN ASSY			TPA	GROMMET CAP																									
		MATERIAL/PART	WIRE DRESS OPTION	KEY OPTION Fp	COLOR OPTION Fp	NUMBERS INDICATE CAVITIES OPEN FOR CIRCUITS																									
		NUMBER				Fp																									
SALEABLE	NOT APPLICABLE	34566-5733	0	A	BLACK	52	71	70	69					64	63			60	59	58	57	56	55	54	53						
									49				45	44	43	42	41								36						
						73				32		30		28		26											19	18			
SALEABLE	NOT APPLICABLE	34566-5743	0	A	BLACK	52	71	70	69					64	63			60	59		57	56	55	54	53						
									49				45	44	43	42	41								37	36					
						73				32		30		28		26											19	18			
SALEABLE	NOT APPLICABLE	34566-5753	0	A	BLACK	52	71	70	69					64	63			60	59		57	56	55	54	53						
									49				45	44	43	42	41									37	36				
						73				32		30		28		26											23	21		19	18
SALEABLE	NOT APPLICABLE	34566-5763	0	C	BLUE	72		70		68		66			63	62			59	58	57					53					
						52	51			48	47	46		44		42		40	39							37	36		34	33	
						73				32		30				27	26	25	24			22	21	20							
SALEABLE	NOT APPLICABLE	34566-5773	0	C	BLUE	72		70		68		66			63	62			59	58	57					53					
						52	51			48	47			44		42		40	39								37	36		34	33
						73				32		30				27	26	25	24			22	21	20							
SALEABLE	NOT APPLICABLE	34566-5783	0	C	BLUE	72		70		68		66			63	62			59	58	57					53					
						52	51			48	47			44		42		40	39								37	36		34	33
						73				32		30				27	26	25	24			22	21	20							
SALEABLE	NOT APPLICABLE	34566-5793 SAME AS P/N 34566-4013	0	B	ST GRN	72		70		68		66				60	59								55	54	53				
						52		50		48		46				40	39										35	34	33		
						73				32	31	30	29	28	27	26	25	24												17	
SALEABLE	NOT APPLICABLE	34566-5813	0	B	ST GRN	72		70		68		66				60	59									55	54	53			
						52		50		48		46				40	39											35	34	33	
						73				32	31	30	29	28	27	26	25	24	23										19	18	17
SALEABLE	NOT APPLICABLE	34566-5823	0	A	BLACK	72		70							63																
						52			49					43		41															
						73					31	30		28	27	26			23								20	19			
SALEABLE	NOT APPLICABLE	34566-5833	0	A	BLACK	72		70							63																
						52			49					43		41															
						73					31	30		28	27	26			23								20	19			
SALEABLE	NOT APPLICABLE	34566-5843	0	H	ST GRN		79																								
							59		57			74	73	72	71			68	67			65	64	63	62	61					
								38				34	33					29	27			25									
SALEABLE	NOT APPLICABLE	34566-5853	0	H	ST GRN		79																								
							59		57			74	73	72	71			68	67			65	64	63	62	61					
								38				34	33					29	27			25									
SALEABLE	NOT APPLICABLE	34566-5863	0	C	BLUE	72		70				66			63	62			59		57	56	55		53						
						52	51					46	44		42		40	39			37	36				34	33				
						73				32		30				26	25			22	21						19	18			
SALEABLE	NOT APPLICABLE	34566-5873	0	B	ST GRN	72																									
						52				48	47	46		44	43		41	40									20	19	18		
						73				16	15	14																4			
SALEABLE	NOT APPLICABLE	34566-5883	0	B	ST GRN	72										62	61														
						52				48	47	46		43		41	40										20	19	18		
						73				16	15	14																4			

MX123 52/66/73/80-WAY RECEPTACLE ASSY SEALED PIN OUT SHEET

STATUS	GM PART #	HRNS CONN ASSY			TPA	GROMMET CAP																					
		MATERIAL/PART	WIRE DRESS OPTION	KEY OPTION Fp	COLOR OPTION Fp	NUMBERS INDICATE CAVITIES OPEN FOR CIRCUITS																					
		NUMBER				Fp																					
SALEABLE	NOT APPLICABLE	34566-5893	0	C	BLUE	52	51	50	69	48	67	66	45	44	62	60	57	55	54	33	34	35	18	19			
						73			32	28	27	26	11	10	9												
						16	15	14	13	12	11	10	9														
SALEABLE	NOT APPLICABLE	34566-5913	0	C	BLUE	52	51	50	49	68	67	66	64	61	60	57	54	33	34	35	18	19	20				
						73			32	28	27	25	21	20													
						16	15	14	13	12	11	10	9														
SALEABLE	NOT APPLICABLE	34566-5933	0	C	BLUE	72	71	70		68	67	66		63	62	59	57	56	55	53	34	33					
						52	51			48	47	46	44	42	40	39											
						73			32	30			26	25	23	22	21										
SALEABLE	NOT APPLICABLE	34566-5943	0	C	BLUE	72	71	70		68	67	66		63	62	59	57	56	55	53	34	33					
						52	51		49	48	47	46	44	42	40	39											
						73			32	30			27	26	25		22	21	20								
SALEABLE	NOT APPLICABLE	34566-5953	0	A	BLACK	71	70	69				65	64	63	62	61	60	58	57	56	55	54	53				
						52	51		49	48	47		45	44	43	42	41										
						73			32	30	29	28	27	26		24											
SALEABLE	NOT APPLICABLE	34566-5963	0	B	ST GRAY	72	71	70		68	67	66			61	60	59	58	57	56	55	54	53				
						52	51	50		48	47	46			42	41	40	39	38	37	36	35	34	33			
						73			32	31	30	29	28	27	26	25	24										
SALEABLE	NOT APPLICABLE	34566-5973	0	C	BLUE	72	71	70		68	67	66		63	62	59	57	56	55	53	34	33					
						52	51			48	47	46	44	42	40	39											
						73			32	30			27	26	25		22	21									
SALEABLE	NOT APPLICABLE	34566-5983	0	C	BLUE	52	51	50	69	48	67	66	64	62	60	57	55	54	33	34	35	18	19				
						73			32	28	27	26	11	10	9												
						16	15	14	13	12	11	10	9														
SALEABLE	NOT APPLICABLE	34566-5993	0	A	BLACK	71	70	69		67	66	65		63	62	61	60	58	57	56	55	54	53				
						52	51	50	49	48	47		45	44	43	42	41	40	39	37	36	35	34	33			
						73			32	31	30	29	28	27	26	25	24	23		21	20	19	18	17			
SALEABLE	NOT APPLICABLE	34566-6013	0	B	ST GRAY	51	50	49	69	48	67	65			61	60	59	58	57	54	53	34	33				
						73			32	31	30	29		26	24	23	22	21	20								
						16	15	14	13	12	11	10	9	8	7	6	5	4									
SALEABLE	NOT APPLICABLE	34566-6023	0	A	BLACK	72	71	70	69	68	67				60	59	58	57	56	54	53	34	33				
						52	51	50	49	48	47		45	44	43		40	39	38	37	36	35	34	33			
						73			32	31	30	29	28		24	23	22	21	20	19	17						
SALEABLE	NOT APPLICABLE	34566-6033	0	A	BLACK	70	69							63	62	61		58	57	56	55	54	53				
						52	51		49	48	47		44	43	42	41											
						73			32	29	28	27	26		10	8		5	3								
SALEABLE	NOT APPLICABLE	34566-6043	0	B	ST GRAY	68	67	66	65	64						58	55										
						73			32	30	29	28	27														
						16									10												
SALEABLE	NOT APPLICABLE	34566-6053	0	B	ST GRAY	72	71			48	47	46		43	62	61	40										
						73			32	30																	
						16	15	14																			
SALEABLE	NOT APPLICABLE	34566-6063	0	C	BLUE	52	51	50	69	48	67	66	64	62	60	57	55	54	33	34	35	18	19				
						73			32	28	27	26	11	10	9												
						16	15	14	13	12	11	10	9														

MX123 52/66/73/80-WAY RECEPTACLE ASSY SEALED PIN OUT SHEET

STATUS	GM PART #	HRNS CONN ASSY			TPA	GROMMET CAP																						
		MATERIAL/PART	WIRE DRESS OPTION	KEY OPTION Fp	COLOR OPTION Fp	NUMBERS INDICATE CAVITIES OPEN FOR CIRCUITS																						
		NUMBER				Fp																						
SALEABLE	NOT APPLICABLE	34566-6273	9	B	ST GRAY	52	71	70	69				65	64	63	62	61	60		58	57	56	55	54	53			
							51	50	49	48	47		45	44	43	42	41	40	39						36	35	34	33
						73			32		30	29	28	27	26		24									19	18	
SALEABLE	NOT APPLICABLE	34566-6283	9	C	BLUE	72		70		68	67	66			63	62			59		57				53			
						52	51			48	47	46		44				40	39							34	33	
						73			32		30			27	26	25		22	21									
SALEABLE	NOT APPLICABLE	34566-6293	9	B	ST GRAY	72	71	70		68	67	66			62	61	60	59	58	57	56	55	54	53				
						52	51	50		48	47	46			42	41	40	39	38	37	36	35	34	33				
						73			32	31	30	29	28	27	26	25	24											17
SALEABLE	NOT APPLICABLE	34566-6313	9	B	ST GRAY			70	69						63	62	61	60		58	57	56	55	54	53			
						52	51	50	49					44	43	42	41	40	39							34	33	
						73			32			29	28	27	26											19	18	
SALEABLE	NOT APPLICABLE	34566-6323	9	B	ST GRAY		71	70	69						64	63			60	59	58	57	56	55	54	53		
						52	51	50	49				45	44	43	42	41		39		37	36					34	33
						73			32		30		28		26											19	18	
SALEABLE	NOT APPLICABLE	34566-6333	9	C	BLUE	72		70		68	67	66			63	62			59		57	56	55	54	53			
						52	51			48	47	46		44				40	39							34	33	
						73			32		30			27	26	25		22	21							19	18	
SALEABLE	NOT APPLICABLE	34566-6343	9	A	BLACK			70	69						63	62	61	60		58	57	56	55	54	53			
						52	51	50	49				44	43	42	41	40	39			37	36				34	33	
						73			32			29	28	27	26											19	18	17
SALEABLE	NOT APPLICABLE	34566-6353	9	C	BLUE	72		70		68		66			63	62			59	58	57	56	55	54	53			
						52	51			48	47	46		44				40	39							34	33	
						73			32		30			27	26	25		23	22	21	20							17
SALEABLE	NOT APPLICABLE	34566-6363	9	B	ST GRAY	72		70		68		66					60	59					55	54	53			
						52		50		48		46					40	39							35	34	33	
						73			32	31	30	29	28	27	26	25	24	23								19	18	17
SALEABLE	NOT APPLICABLE	34566-6373	9	A	BLACK		71	70	69		67			64	63			60	59	58	57	56	55	54	53			
						52	51	50	49		47		45	44	43	42	41	40	39			37	36				34	33
						73			32		30		28		26			23		21						19	18	17
SALEABLE	NOT APPLICABLE	34566-6383	9	A	BLACK	72	71	70	69	68		66	65	64	63		61	60			57	56		54	53			
						52	51	50	49	48		46	45	44	43	42	41	40	39	38	37	36				34	33	
						73			32	31	30	29	28					23	22	21								17
SALEABLE	NOT APPLICABLE	34566-6393	9	C	BLUE		71	70	69		67	66	65	64		62	61	60		58	57		55	54				
						52	51	50	49	48	47	46	45	44		42	41		38	37					35	34	33	
						73			32			28	27	26	25											19	18	17
SALEABLE	NOT APPLICABLE	34566-6413	9	B	ST GRAY	72				68	67				63	62	61	60	59				55					
						52				48	47	46		44	43		41	40							36	35		
						73					30			27												20	19	18
SALEABLE	NOT APPLICABLE	34566-6423	9	C	BLUE			70	69		67	66	65	64								56		54				
						52	51	50	49		47	46	45	44				39	38								34	33
						73					31	30	29	28		26	25		23	22	21							
SALEABLE	NOT APPLICABLE	34566-6433	9	A	BLACK	72		70			67				63			60	59	58	57	56	55					
						52	51			48	47	46			43	42		40	39	38	37	36	35					
						73								28	27											18	17	

MX123 52/66/73/80-WAY RECEPTACLE ASSY SEALED PIN OUT SHEET

STATUS	GM PART #	HRNS CONN ASSY			TPA	GROMMET CAP																					
		MATERIAL/PART	WIRE DRESS OPTION	KEY OPTION Fp	COLOR OPTION Fp	NUMBERS INDICATE CAVITIES OPEN FOR CIRCUITS																					
		NUMBER				Fp																					
SALEABLE	NOT APPLICABLE	34566-6443	9	B	ST GRAY	72	71	70	69	68	67	66	65	64	63		61	60			57	56	55				
						52	51	50	49	48	47	46	45	44	43		26	25	24	23	22	21	20	19	18	17	
						73				32	31	30	29	28		11		9	8	7	6	5	4	3	2	1	
SALEABLE	NOT APPLICABLE	34566-6453	0	C	BLUE		71	70	69		67		65	64		62	61	60			57			54			
						52	51	50	49	48	47	46	45	44		42	41				37				34	33	
						73				32				28	27	26	25									18	17
SALEABLE	NOT APPLICABLE	34566-6463	0	B	ST GRAY	72				68	67					62	61							55			
						52				48	47	46			43												
						73						30											20	19	18		
SALEABLE	NOT APPLICABLE	34566-6473	9	C	BLUE			70	69		67	66		64		62		60			57		55	54			
						52	51	50		48		46	45	44		42					37			35	34	33	
						73				32				28	27	26									19	18	17
SALEABLE	NOT APPLICABLE	34566-6483	9	A	BLACK	72	71	70	69	68		66	65	64	63		61	60			57	56		54	53		
						52	51	50	49	48		46	45	44	43			40	39	38	37	36			34	33	
						73				32	31	30	29	28			26	25		23	22	21	20				2
SALEABLE	NOT APPLICABLE	34566-6493	9	B	ST GRAY	72			70							62	61							55			
						52				48	47	46			43			41	40								
						73						30											20	19	18		
SALEABLE	NOT APPLICABLE	34566-6513	0	B	ST GRAY					68	67					62	61						55	54			
						52						46			43			40									
						73				16	15	14							8				4	3	2	1	
SALEABLE	NOT APPLICABLE	34566-6523	0	B	ST GRAY					68	67			64					59	58				54			
												46	45						39	38							
						73				32		30	29	28	27				23	22							17
SALEABLE	NOT APPLICABLE	34566-6533	9	B	ST GRAY					68	67			64													
												46	45														
						73				32		30	29	28	27												17
SALEABLE	NOT APPLICABLE	34566-6543	9	A	BLACK					68	67			64													
												46	45														
						73				32	31	30	29	28			26	25		23	22	21	20				
SALEABLE	NOT APPLICABLE	34566-6553	9	A	BLACK					67			64	63			60	59	58	57	56	55	54	53			
						52	51	50	49		47		45	44	43	42	41	40	39		37	36			34		
						73				32		30		28		26							19	18	17		
SALEABLE	NOT APPLICABLE	34566-6563	9	C	BLUE				70		66			63	62			59	58	57				53			
						52	51			48	47	46		44				40	39							34	33
						73				32		30			27	26	25		23	22	21	20					17
SALEABLE	NOT APPLICABLE	34566-6573	9	A	BLACK					67			64	63			60	59	58	57	56	55	54	53			
						52	51	50	49		47		45	44	43	42	41	40	39		37	36			34		
						73				32		30		28		26			23		21		19	18			
SALEABLE	NOT APPLICABLE	34566-6583	9	A	BLACK				70	69					63	62	61	60		58	57	56	55	54	53		
						52	51	50	49					44	43	42	41	40	39		37	36				34	
						73				32			29	28	27	26										19	18
SALEABLE	NOT APPLICABLE	34566-6593	0	C	BLUE				69		67			64		62		60			57		55	54			
						52	51	50		48		46	45	44		42					37			35	34	33	
						73				32				28	27	26							20	19	18	17	

MX123 52/66/73/80-WAY RECEPTACLE ASSY SEALED PIN OUT SHEET

STATUS	GM PART #	HRNS CONN ASSY			TPA	GROMMET CAP																					
		MATERIAL/PART	WIRE DRESS OPTION	KEY OPTION Fp	COLOR OPTION Fp	NUMBERS INDICATE CAVITIES OPEN FOR CIRCUITS																					
		NUMBER				Fp																					
SALEABLE	NOT APPLICABLE	34566-6613	0	A	BLACK	72	71	70	69			66		64	63		61	60			57	56		54	53		
						52	51	50	49			46	45	44	43		26	25		23	22	21				34	33
						73				32	31	30	29	28				9		7	6	5					2
SALEABLE	NOT APPLICABLE	34566-6623	9	B	ST GRAY					68	67			64				59	58				54				
											46	45					39	38									
						73				32		30	29	28	27				23	22							
SALEABLE	NOT APPLICABLE	34566-6633	9	C	BLUE				69		67	66		64		62		60			57			54			
						52	51	50		48		46	45	44		42					37				34	33	
						73								28	27	26											
SALEABLE	NOT APPLICABLE	34566-6643	9	C	BLUE		71			68	67		65	64	63		61	60		58	57			54			
						52	51	50		48			45		43		41			38	37					34	33
						73								28	27		25										
SALEABLE	NOT APPLICABLE	34566-6653	9	B	ST GRAY	72				68						62	61	60	59					55			
						52				48	47	46		44	43		41	40		38	37	36	35				
						73						30										20	19	18			
SALEABLE	NOT APPLICABLE	34566-6663	9	A	BLACK					68			65	64	63					57	56			54			
						52	51	50	49	48		46	45	44	43	42		40	39	38	37	36				34	
						73				32	31	30	29	28			26	25		23	22	21	20				
SALEABLE	NOT APPLICABLE	34566-6673	9	B	ST GRAY	72	71	70	69	68	67	66	65	64	63		61	60	59		57	56	55				
						52	51	50	49	48	47	46	45	44	43		41	40	39	38	37	36	35	34	33		
						73				32	31	30	29	28			26		24	23	22	21	20	19	18	17	
SALEABLE	NOT APPLICABLE	34566-6683	9	A	BLACK			70			67					63		60	59	58	57						
						52				48	47	46			43	42		40	39	38	37						
						73				32	31	30	29	28	27						22	21					
SALEABLE	NOT APPLICABLE	34566-6693	9	C	BLUE	72	71	70	69		67	66	65	64							56			54			
						52	51	50	49		47	46	45	44					39	38					34		
						73						31	30	29	28			26	25	24	23	22	21				
SALEABLE	TBD	34822-0063	9	A	BLACK		63	62	61	60	59					54	53		51		49				66		
							47									38	37		35		33						
						65								28			25			22	21	20	19	18	17		
SALEABLE	NOT APPLICABLE	34566-6713	9	A	BLACK	72	71	70	69	68			66	65	64	63		61	60		57	56			54	53	
						52	51	50	49	48		46	45	44	43	42	41	40	39	38	37	36				34	33
						73				32	31	30	29	28			26	25		23	22	21					2
SALEABLE	NOT APPLICABLE	34566-6723	0	H	ST GRAY		79						74	73					67		65	64	63	62	61		
							59							53	52							25		44	43	42	41
								38						33							27						
SALEABLE	NOT APPLICABLE	34566-6733	0	G	BLUE			78	77		75	74		72		70				64	63						
						60		58	57		55	54		52	51	50	49		47		45						
						40	39	38	37				33	32	31				27	26							
SALEABLE	NOT APPLICABLE	34566-6743	9	C	BLUE					68	67		65	64	63		61	60		57				34	33		
						52	51	50		48		46	45		43		41			37							
						73								28	27		25										
SALEABLE	NOT APPLICABLE	34566-6753	9	A	BLACK	72	71	70	69	68			66	65	64			61	60		57	56			54	53	
						52	51	50	49	48		46	45	44	43	42		40	39	38	37	36				34	33
						73						31	30	29	28					23	22	21	20				

MX123 52/66/73/80-WAY RECEPTACLE ASSY SEALED PIN OUT SHEET

STATUS	GM PART #	HRNS CONN ASSY			TPA	GROMMET CAP																							
		MATERIAL/PART	WIRE DRESS OPTION	KEY OPTION Fp	COLOR OPTION Fp	NUMBERS INDICATE CAVITIES OPEN FOR CIRCUITS																							
		NUMBER				Fp																							
SALEABLE	NOT APPLICABLE	34566-6933	9	B	ST GRY	72				68	67				63	62	61	60	59				55		53				
						52				48	47	46		44	43		41	40				38	37	36	35				
						73						30			27							22	21	20	19	18	17		
SALEABLE	NOT APPLICABLE	34566-6943	9	A	BLACK	72	71	70	69	68		66	65	64	63		61	60				57	56		54	53			
						52	51	50	49	48		46	45	44	43	42	41	40	39	38	37	36				34	33		
						73				32	31	30	29	28							23	22	21						
SALEABLE	NOT APPLICABLE	34566-6953	0	A	BLACK	72	71	70	69			66	65	64	63		61	60				57	56		54	53			
						52	51	50	49			46	45	44	43			40	39	38	37	36				34	33		
						73				32	31	30	29	28			26	25		23	22	21	20						
SALEABLE	NOT APPLICABLE	34566-6963	0	B	ST GRY	72		70		68	67					62	61							55					
						52				48	47	46			43			40								20	19	18	
						73						30														8		4	2
SALEABLE	NOT APPLICABLE	34566-6973	0	C	BLUE		71	70	69			67		65	64		62	61	60				57		55	54			
						52	51	50	49	48	47	46	45	44		42	41								37		35	34	33
						73				32				28	27	26	25											19	18
SALEABLE	NOT APPLICABLE	34566-6983	0	C	BLUE		71		69			67		65	64		62	61	60				57		55	54			
						52	51	50		48	47	46	45	44		42									37		35	34	33
						73								28	27	26													18
SALEABLE	NOT APPLICABLE	34566-6993	0	G	BLUE			78	77	76										67	66	65							
						40	39	38	37	36	35	34	33	32				29	28						25			21	
						20	19	18	17	16	15	14	13	12														3	1
SALEABLE	NOT APPLICABLE	34566-7013	9	A	BLACK		71	70	69					64	63	62	61	60	59	58	57	56	55	54	53				
						52	51	50	49				45	44	43	42	41		39		37	36				34			
						73				32			29	28	27	26											19	18	
SALEABLE	NOT APPLICABLE	34566-7023	0	A	BLACK	72	71	70	69	68		66	65	64		61	60				57	56		54	53				
						52	51	50	49	48		46	45	44	43			40	39	38	37	36				34	33		
						73						31	30	29	28			26	25		23	22	21	20					
SALEABLE	NOT APPLICABLE	34566-7033	0	A	BLACK			70	69					65		63	62	61	60			58	57	56	55	54	53		
						52	51		49					44	43	42	41							37	36		34		
						73				32			29	28	27	26								21			19	18	
SALEABLE	NOT APPLICABLE	34566-7043	0	B	ST GRY	72				68	67				63	62	61	60	59					55					
						52						46			43		41	40											
						73						16		14			11			8						20	19	18	
SALEABLE	NOT APPLICABLE	34566-7053	0	C	BLUE		71		69			67		65	64		62	61	60				57		54				
						52	51	50	49	48	47	46	45	44		42	41								37		34	33	
						73				16	15	14	13	12	11	10	9	8	7										
SALEABLE	NOT APPLICABLE	34566-7063	0	C	BLUE	72		70		68	67	66			63	62			59			57				53			
						52	51			48	47	46		44				40	39								34	33	
						73				32		30				26	25					22	21						
SALEABLE	NOT APPLICABLE	34566-7073	9	F	NATURAL				69	68					43	42					58	57				33			
						73						30															19	18	17
																												3	2
SALEABLE	NOT APPLICABLE	34566-7083	9	B	ST GRY																								
						73				16	15	14	13	12	11	10			8	7							3	2	1

MX123 52/66/73/80-WAY RECEPTACLE ASSY SEALED PIN OUT SHEET

STATUS	GM PART #	HRNS CONN ASSY			TPA	GROMMET CAP																																																	
		MATERIAL/PART	WIRE DRESS OPTION	KEY OPTION Fp	COLOR OPTION Fp	NUMBERS INDICATE CAVITIES OPEN FOR CIRCUITS																																																	
		NUMBER				Fp																																																	
SALEABLE	NOT APPLICABLE	34566-7423	0	C	BLUE	52	51	70	69	48	67	46	45	64	61	60	57	54	34	33	73	32	28	27	25	37	18	17	16	15	14	13	12	11	10	9	8	7																	
						72	68	62	61	60	59	55	52	48	47	46	44	43	41	40	38	37	36	35	20	19	18	17	16	15	14	30	8	4																					
						72	71	70	69	68	66	65	64	63	60	57	56	54	52	51	50	49	48	46	45	44	43	42	40	39	38	37	36	34	73	31	30	29	28	26	25	23	22	21	20	2	15	14	13	12	9	7	6	5	4
SALEABLE	NOT APPLICABLE	34566-7433	0	B	ST GRAY	72	68	62	61	60	59	55	52	48	47	46	44	43	41	40	38	37	36	35	20	19	18	17	73	16	15	14	30	8	4																				
						72	71	70	69	68	66	65	64	63	60	57	56	54	52	51	50	49	48	46	45	44	43	42	40	39	38	37	36	34	73	31	30	29	28	26	25	23	22	21	20	2	15	14	13	12	9	7	6	5	4
						72	71	70	69	68	66	65	64	63	60	57	56	54	52	51	50	49	48	47	46	45	44	43	42	40	39	38	37	36	34	73	31	30	29	28	26	25	23	22	21	20	2	15	14	13	12	9	7	6	5
SALEABLE	NOT APPLICABLE	34566-7453	0	C	BLUE	72	68	62	61	60	59	55	52	48	47	46	44	43	41	40	38	37	36	35	20	19	18	17	73	32	28	27	25	37	18	17	16	15	14	13	12	11	10	9	8	7									
						72	71	70	69	68	66	65	64	63	60	57	56	54	52	51	50	49	48	46	45	44	43	42	40	39	38	37	36	34	73	31	30	29	28	26	25	23	22	21	20	2	15	14	13	12	9	7	6	5	4
						72	71	70	69	68	66	65	64	63	60	57	56	54	52	51	50	49	48	47	46	45	44	43	42	40	39	38	37	36	34	73	31	30	29	28	26	25	23	22	21	20	2	15	14	13	12	9	7	6	5
SALEABLE	NOT APPLICABLE	34566-7463	0	B	ST GRAY	72	68	62	61	60	59	55	52	48	47	46	44	43	41	40	38	37	36	35	20	19	18	17	73	32	28	27	25	37	18	17	16	15	14	30	8	4													
						72	71	70	69	68	66	65	64	63	60	57	56	54	52	51	50	49	48	46	45	44	43	42	40	39	38	37	36	34	73	31	30	29	28	26	25	23	22	21	20	2	15	14	13	12	9	7	6	5	4
						72	71	70	69	68	66	65	64	63	60	57	56	54	52	51	50	49	48	47	46	45	44	43	42	40	39	38	37	36	34	73	31	30	29	28	26	25	23	22	21	20	2	15	14	13	12	9	7	6	5
SALEABLE	NOT APPLICABLE	34566-7473	0	B	ST GRAY	72	68	62	61	60	59	55	52	48	47	46	44	43	41	40	38	37	36	35	20	19	18	17	73	32	28	27	25	37	18	17	16	15	14	30	8	4													
						72	71	70	69	68	66	65	64	63	60	57	56	54	52	51	50	49	48	46	45	44	43	42	40	39	38	37	36	34	73	31	30	29	28	26	25	23	22	21	20	2	15	14	13	12	9	7	6	5	4
						72	71	70	69	68	66	65	64	63	60	57	56	54	52	51	50	49	48	47	46	45	44	43	42	40	39	38	37	36	34	73	31	30	29	28	26	25	23	22	21	20	2	15	14	13	12	9	7	6	5
SALEABLE	NOT APPLICABLE	34566-7483	0	B	ST GRAY	72	68	62	61	60	59	55	52	48	47	46	44	43	41	40	38	37	36	35	20	19	18	17	73	32	28	27	25	37	18	17	16	15	14	30	8	4													
						72	71	70	69	68	66	65	64	63	60	57	56	54	52	51	50	49	48	46	45	44	43	42	40	39	38	37	36	34	73	31	30	29	28	26	25	23	22	21	20	2	15	14	13	12	9	7	6	5	4
						72	71	70	69	68	66	65	64	63	60	57	56	54	52	51	50	49	48	47	46	45	44	43	42	40	39	38	37	36	34	73	31	30	29	28	26	25	23	22	21	20	2	15	14	13	12	9	7	6	5
SALEABLE	NOT APPLICABLE	34566-7493	0	C	BLUE	72	68	62	61	60	59	55	52	48	47	46	44	43	41	40	38	37	36	35	20	19	18	17	73	32	28	27	25	37	18	17	16	15	14	13	12	11	10	9	8	7									
						72	71	70	69	68	66	65	64	63	60	57	56	54	52	51	50	49	48	46	45	44	43	42	40	39	38	37	36	34	73	31	30	29	28	26	25	23	22	21	20	2	15	14	13	12	9	7	6	5	4
						72	71	70	69	68	66	65	64	63	60	57	56	54	52	51	50	49	48	47	46	45	44	43	42	40	39	38	37	36	34	73	31	30	29	28	26	25	23	22	21	20	2	15	14	13	12	9	7	6	5
SALEABLE	NOT APPLICABLE	34566-7513	9	A	BLACK	72	68	62	61	60	59	55	52	48	47	46	44	43	41	40	39	38	37	36	35	20	19	18	17	73	32	31	30	29	28	23	22	21	20	7	6	5	4	2											
						72	71	70	69	68	66	65	64	63	60	57	56	54	52	51	50	49	48	46	45	44	43	42	40	39	38	37	36	34	73	31	30	29	28	26	25	23	22	21	20	2	15	14	13	12	7	6	5	4	2
						72	71	70	69	68	66	65	64	63	60	57	56	54	52	51	50	49	48	47	46	45	44	43	42	40	39	38	37	36	34	73	31	30	29	28	26	25	23	22	21	20	2	15	14	13	12	7	6	5	4
SALEABLE	NOT APPLICABLE	34566-7523	0	A	BLACK	72	68	62	61	60	59	55	52	48	47	46	44	43	41	40	39	38	37	36	35	20	19	18	17	73	32	30	29	27	26	25	24	20	4																
						72	71	70	69	68	66	65	64	63	60	57	56	54	52	51	50	49	48	46	45	44	43	42	40	39	38	37	36	34	73	31	30	29	28	26	25	24	20	4											
						72	71	70	69	68	66	65	64	63	60	57	56	54	52	51	50	49	48	46	45	44	43	42	40	39	38	37	36	34	73	31	30	29	28	26	25	24	20	4											
SALEABLE	NOT APPLICABLE	34566-7533	0	G	BLUE	80	79	78	57	54	51	50	49	48	47	45	44	42	41	60	59	58	37	36	34	33	32	30	29	28	27	25	24	23	22	21	73	40	39	37	36	34	33	32	30	29	28	27	25	24	23	22	21		
						20	19	18	13	12	11	9	8	5	3	2	1	73	40	39	37	36	34	33	32	30	29	28	27	25	24	23	22	21																					
						73	40	39	37	36	34	33	32	30	29	28	27	25	24	23	22	21																																	
SALEABLE	NOT APPLICABLE	34566-7543 SAME AS P/N 34566-1553	0	A	BLACK	73	40	39	37	36	34	33	32	30	29	28	27	25	24	23	22	21																																	
SALEABLE	NOT APPLICABLE	34566-7553 SAME AS P/N 34566-1983	0	B	ST GRAY	73	40	39	37	36	34	33	32	30	29	28	27	25	24	23	22	21																																	
SALEABLE	NOT APPLICABLE	34566-7563 SAME AS P/N 34566-1993	0	C	BLUE	73	40	39	37	36	34	33	32	30	29	28	27	25	24	23	22	21																																	
SALEABLE	NOT APPLICABLE	34566-7573	0	B	ST GRAY	72	68	62	61	60	59	55	52	48	47	46	44	43	41	40	38	37	36	35	20	19	18	17	73	32	30	29	27	26	25	24	20	4																	
						72	71	70	69	68	66	65	64	63	60	57	56	54	52	51	50	49	48	46	45	44	43	42	40	39	38	37	36	34	73	31	30	29	28	26	25	24	20	4											
						72	71	70	69	68	66	65	64	63	60	57	56	54	52	51	50	49	48	46	45	44	43	42	40	39	38	37	36	34	73	31	30	29	28	26	25	24	20	4											

MX123 52/66/73/80-WAY RECEPTACLE ASSY SEALED PIN OUT SHEET

STATUS	GM PART #	HRNS CONN ASSY			TPA	GROMMET CAP																					
		MATERIAL/PART	WIRE DRESS OPTION	KEY OPTION Fp	COLOR OPTION Fp	NUMBERS INDICATE CAVITIES OPEN FOR CIRCUITS																					
		NUMBER				Fp																					
SALEABLE	NOT APPLICABLE	34566-7683	9	B	ST GRY	72	71	70	69	68	67	66	65	64	63	62	61	60	59		57	56	55				
						52	51	50	49	48	47	46	45	44	43		26	25	24	23	22	21	20	19	18	17	
						73				32	31	30	29	28		11		9	8	7	6	5	4	3	2	1	
SALEABLE	NOT APPLICABLE	34566-7693	9	A	BLACK	72							64		62	61			57	56	55	54					
						52	51					46	45		43		40			37		35	34				
						73				32	31	30	29		27		25				20						
SALEABLE	NOT APPLICABLE	34566-7713	9	A	BLACK	72							64		62	61			58	57	56	55	54				
						52	51			48		46	45		43		41	40		37		35	34				
						73				32		30	29		27		25			20							
SALEABLE	NOT APPLICABLE	34566-7723	9	A	BLACK	72							64		62	61			57	56	55	54	53				
						52	51			48		46	45		43		41	40		37		35	34				
						73				32		30	29		27		25			20							
SALEABLE	NOT APPLICABLE	34566-7733	9	A	BLACK	72							64		62	61			57	56	55	54	53				
						52	51			48		46	45		43		41	40		37		35	34				
						73				32		30	29		27		25			20							
SALEABLE	NOT APPLICABLE	34566-7743	0	C	BLUE	72		70		68	67	66		64	63	62	61	60	59	57				53			
						52	51		49	48	47	46		44		41	40	39		37	36	35	34	33			
						73				32		30			27	26	25	24		22	21	20					
SALEABLE	NOT APPLICABLE	34566-7753	0	A	BLACK		71	70	69	68	67			64	63	62	61	60	59	58	57	56	55	54	53		
						52	51	50	49			45	44	43	42	41		39	38	37	36		34				
						73				32	31		29	28	27	26	25			19	18						
SALEABLE	NOT APPLICABLE	34566-7763	0	F	NATURAL																						
						73																					
SALEABLE	NOT APPLICABLE	34566-7773	0	B	ST GRY	72		70			67				63	62	61	60	59								
						52					46			43		41	40										
						73				16		14			11				6		4						
SALEABLE	TBD	34822-0153	9	A	BLACK		63	62	61	60	59				54	53		51		49	66						
							47							38	37		35		33			22	21	20	19	18	17
						65					15	14	13			25		8	7				3	2	1		
SALEABLE	NOT APPLICABLE	34566-7783	0	A	BLACK	72	71	70	69	68		66	65	64	63		60	59		57	56		54				
						52	51	50	49	48		46	45	44	43	42	41	40	39	38	37	36		34			
						73				32	31	30	29	28		26	25		23	22	21				2	1	
SALEABLE	NOT APPLICABLE	34566-7793	0	A	BLACK	72		70			67	66	65		63		60	59	58	57	56	55					
						52	51		49	48	47	46	45		43	42		40	39	38	37	36	35				
						73								28	27			23	22	21				18	17		
SALEABLE	NOT APPLICABLE	34566-7813	0	A	BLACK			70	69	68	67				63	62	61	60	59	58	57	56	55	54	53		
						52	51	50	49					44	43	42	41	40	39	38	37	36		34			
						73				32			29	28	27	26	25			21		19	18				
SALEABLE	NOT APPLICABLE	34566-7823	0	B	ST GRY					68	67				63	62	61	60	59								
						52				48	47	46		44	43		41	40		38	37	36	35				
						73				16		14			11			8			4					1	
SALEABLE	NOT APPLICABLE	34566-7833	0	B	ST GRY	72	71	70	69	68	67	66	65	64	63		61	60	59		57	56	55				
						52	51	50	49	48	47	46	45	44	43		41	40	39	38	37	36	35	34	33		
						73				32	31	30	29	28		26	25	24	23	22	21	20	19	18	17		

MX123 52/66/73/80-WAY RECEPTACLE ASSY SEALED PIN OUT SHEET

STATUS	GM PART #	HRNS CONN ASSY			TPA	GROMMET CAP																					
		MATERIAL/PART	WIRE DRESS OPTION	KEY OPTION Fp	COLOR OPTION Fp	NUMBERS INDICATE CAVITIES OPEN FOR CIRCUITS																					
		NUMBER				Fp																					
SALEABLE	NOT APPLICABLE	34566-7843	9	C	BLUE	52	71	50	49	48	67	47	65	64	45	44	62	61	60	58	57	54	33				
						73				16	15	14	13	12	11	10	9							18			
						72	71	70	69		67	66		64												54	
SALEABLE	NOT APPLICABLE	34566-7853	9	C	BLUE	52	51	50	49		47	46		44				39	38								
						73				16		30	29	28	27	26	25	24	23	22	21				17		
						72		70			68	67	66			63	62			59		57				53	
SALEABLE	NOT APPLICABLE	34566-7863	9	C	BLUE	52	51			48	47	46		44			40	39		37	36	35	34	33			
						73				32		30			27	26	25	24		22	21						
											15	14				10	9	8		6	5	4				2	
SALEABLE	NOT APPLICABLE	34566-7873	9	A	BLACK		71		69				65	64			61	60		58		56	55	54			
								50				45		43	42					38					35		
						73					31		29	28							23					19	18
SALEABLE	NOT APPLICABLE	34566-7883	9	A	BLACK																						
						73				16															3		1
						72				68	67	66	65														
SALEABLE	NOT APPLICABLE	34566-7893	9	A	BLACK					48	47						40						33				
						73					31	30						25	24	23	22	21	20	19		17	
						72	71	70	69										9	8	7	6	5	4		2	1
SALEABLE	NOT APPLICABLE	34566-7893	9	A	BLACK	52	51	50	49	48		46	45	44	43	42		40	39	38	37	36		33			
						73				32	31	30	29	28						23	22	21	20				
											15	14	13	12						7	6	5	4				2
SALEABLE	TBD	34822-0163	0	A	BLACK	64	63									54	53		51		49						
						65									28					23		21	20	19	18	17	
											15	14	13						8	7					4	3	2
SALEABLE	NOT APPLICABLE	34566-7913	9	G	BLUE	80	79	78			75				71	70			67					61			
						60	59	58	57			54			51	50	49	48	47		45	44			42	41	
						40	39		37	36		34	33	32		30	29	28	27		25	24	23	22	21		
SALEABLE	NOT APPLICABLE	34566-7923	0	C	BLUE	20	19	18					13	12	11		9	8			5		3	2	1		
							71	70			67			64			61	60			57					54	
						52	51	50	49	48	47		45	44			41				37					34	33
SALEABLE	NOT APPLICABLE	34566-7933	0	A	BLACK					32			28	27		25											
						73				16	15	14	13	12	11	10	9	8	7							18	17
						72	71	70	69	68		66	65	64	63		61	60			57	56				54	53
SALEABLE	NOT APPLICABLE	34566-7943	0	B	ST GRAY	52				48	47	46			43		41	40		38	37	36	35				
						73					31	30								22	21	20	19	18	17		
											16	15	14								6		4				1
SALEABLE	NOT APPLICABLE	34566-7953	0	B	ST GRAY	72										62	61	60	59					55			
						52				48	47	46			43		41	40		38	37	36	35				
						73					31	30								22	21	20	19	18	17		
SALEABLE	NOT APPLICABLE	34566-7963	9	A	BLACK																						
						73				16	15	14	13	12				9	7	6	5	4				2	
						72	71	70	69	68		66	65	64	63		61	60			57	56				54	53
SALEABLE	NOT APPLICABLE	34566-7973	9	B	ST GRAY	52	51	50	49	48		46	45	44	43	42		40	39	38	37	36		33			
						73				32	31	30	29	28			26	25		23	22	21	20				
											15	14	13	12						9	7	6	5	4			2
SALEABLE	NOT APPLICABLE	34566-7983	9	B	ST GRAY	72										62	61	60	59					55			
						52		50	49	48	47	46	45		43		41	40		38	37	36	35	34			
						73						30	29								22	21	20	19	18	17	
SALEABLE	NOT APPLICABLE	34566-7983	9	B	ST GRAY																						
						73				16	15	14								6		4				1	
						72													62	61	60	59					55
SALEABLE	NOT APPLICABLE	34566-7983	9	B	ST GRAY	52		50	49	48	47	46	45		43		41	40		38	37	36	35	34			
						73						30	29								22	21	20	19	18	17	
											16	15	14								6		4				1

MX123 52/66/73/80-WAY RECEPTACLE ASSY SEALED PIN OUT SHEET

STATUS	GM PART #	HRNS CONN ASSY			TPA	GROMMET CAP																						
		MATERIAL/PART	WIRE DRESS OPTION	KEY OPTION Fp	COLOR OPTION Fp	NUMBERS INDICATE CAVITIES OPEN FOR CIRCUITS																						
		NUMBER				Fp																						
SALEABLE	NOT APPLICABLE	34566-8153	0	C	BLUE	72	71	70	69	68	67	66	65	64	63	62	61	60	59	58	57	56	55	34	33			
						52	51	50						28	27											35	18	
						73				16		14	13													3		
SALEABLE	NOT APPLICABLE	34566-8163	9	B	ST GRY					68	67			64	63			59	58			55	54					
											47	46	45	44	43			39	38					35				
						73				32	31	30	29	28	27			23	22					19		17		
SALEABLE	NOT APPLICABLE	34566-8173	0	B	ST GRY	72		70		68	67				63	62	61	60	59									
						52						46			43		41	40										
						73									27					22	21	20	19	18				
SALEABLE	NOT APPLICABLE	34566-8183	9	H	ST GRY																							
SALEABLE	NOT APPLICABLE	34566-8193	0	G	BLUE		79	78	77	76	75	74			71				67		65		63					
						60	59	58	57	56	55	54		52					47		45		43					
						40		38	37				33	32	31	30	29		27	26								
SALEABLE	NOT APPLICABLE	34566-8213	0	H	ST GRY	20		18	17				74	73					67		65	64	63	62	61			
														53	52								44	43	42	41		
								38						33					27		25							
SALEABLE	NOT APPLICABLE	34566-8223	9	A	BLACK	20				16	15	14	13	12		10	9	8		6	5			2				
						72										62	61		59		57		55					
						52	51												40			37						
SALEABLE	NOT APPLICABLE	34566-8233	9	G	BLUE	73				32			29				25				20							
										16	15	14	12	11	10	9												
									77	76	75	74	73	72		70	69	68		66	65	64	63	62	61			
SALEABLE	NOT APPLICABLE	34566-8243	9	G	BLUE					56	55		53	52					46	45		43	42					
								38	37	36	35	34						31				26			23	22	21	
						20	19		17	16	15	14	13			10			7	6		4					1	
SALEABLE	NOT APPLICABLE	34566-8253	9	G	BLUE				77	76	75	74	73	72		70	69	68		66	65	64	63	62	61			
										56	55		53	52						46	45		43	42				
								38	37	36	35	34							31				26			23	22	21
SALEABLE	NOT APPLICABLE	34566-8263	9	G	BLUE	20	19		17	16	15	14	13			10			7	6		4			1			
									77	76	75	74	73	72		70	69	68		66	65	64	63	62	61			
										56	55		53	52						46	45		43	42				
SALEABLE	NOT APPLICABLE	34566-8273	9	G	BLUE					36	35	34										23	22	21				
									77	76	75	74	73	72		70	69	68		66	65	64	63	62	61			
										56	55		53	52						46	45		43	42				
SALEABLE	NOT APPLICABLE	34566-8283	9	G	BLUE					36	35	34										23	22	21				
									77	76	75	74	73	72		70	69	68		66	65	64	63	62	61			
										56	55		53	52						46	45		43	42				
SALEABLE	NOT APPLICABLE	34566-8293	9	A	BLACK					17	16	15	14	13			10			7	6		4		1			
SALEABLE	NOT APPLICABLE	34566-8313	9	A	BLACK	80	79	78							71				67									
						60	59	58	57			54			51	50	49	48	47				44				41	
						40	39						33	32		30	29	28	27			25	24					
SALEABLE	NOT APPLICABLE	34566-8283	9	G	BLUE			18							12	11		9	8			5		3	2			
SALEABLE	NOT APPLICABLE	34566-8293	9	A	BLACK	80	79	78		76					71				67									
						60	59	58	57			54			51	50	49	48	47				44				41	
						40	39		37				33	32		30	29	28	27			25	24					
SALEABLE	NOT APPLICABLE	34566-8293	9	A	BLACK					18					12	11		9	8			5		3	2			
SALEABLE	NOT APPLICABLE	34566-8293	9	A	BLACK	71	70	69	68	67	66	65			63			60	59	58								
								50	49	48	47			44			42			39	38			36	35	34	33	
						73							31			28		26		24	23	22	21			19	18	17
SALEABLE	NOT APPLICABLE	34566-8313	9	A	BLACK								14		12				8	7	6	5		3	2	1		
SALEABLE	NOT APPLICABLE	34566-8313	9	A	BLACK		71	70	69		67	66	65		63			60	59	58								
								50	49	48	47			44			42	41		39	38			36	35	34	33	
						73							31			28		26		24	23	22	21			19	18	17

MX123 52/66/73/80-WAY RECEPTACLE ASSY SEALED PIN OUT SHEET

STATUS	GM PART #	HRNS CONN ASSY			TPA	GROMMET CAP																						
		MATERIAL/PART	WIRE DRESS OPTION	KEY OPTION Fp	COLOR OPTION Fp	NUMBERS INDICATE CAVITIES OPEN FOR CIRCUITS																						
		NUMBER				Fp																						
SALEABLE	NOT APPLICABLE	34566-8323	9	A	BLACK	71	70	69	68	67	66	65		63		60							53					
								50	49		47			44		42			39	38			36			33		
						73						31			28		26		24	23	22	21		19	18	17		
SALEABLE	NOT APPLICABLE	34566-8333	9	A	BLACK	71	70	69	68	67	66	65		63		60							53					
								50	49	48	47			44		42	41		39	38			36			33		
						73						31			28		26		24	23	22	21		19	18	17		
SALEABLE	NOT APPLICABLE	34566-8343	9	A	BLACK	71	70	69	68	67	66	65		63		60							53					
								50	49		47			44		42			39	38			36	35	34	33		
						73						31			28		26		24	23	22	21		19	18	17		
SALEABLE	NOT APPLICABLE	34566-8353	9	A	BLACK	72								64		62	61					57	56	55	54	53		
						52	51						46	45		43		41	40				37					
						73						32		30	29		27		25					20				
SALEABLE	NOT APPLICABLE	34566-8363	9	A	BLACK	72								64		62	61					57	56	55	54	53		
						52	51						46	45		43		41	40				37					
						73						32		30	29		27		25					20				
SALEABLE	NOT APPLICABLE	34566-8373	9	A	BLACK	72								64		62	61					57	56	55	54	53		
						52	51						46	45		43		41	40				37					
						73						32		30	29		27		25					20				
SALEABLE	NOT APPLICABLE	34566-8383	9	A	BLACK	72								64		62	61					57	56	55	54	53		
						52	51						46	45		43		41	40				37					
						73						32		30	29		27		25					20				
SALEABLE	NOT APPLICABLE	34566-8393	0	A	BLACK	72		70						64		62	61					57	56	55	54	53		
						52	51		49	48					43								36	35	34	33		
						73						31	30	29	28	27			24	23	22	21	20	19	18	17		
SALEABLE	NOT APPLICABLE	34566-8413	0	A	BLACK	72		70						64		62	61					57	56	55	54	53		
						52	51		49	48					43								36	35	34	33		
						73						31	30	29	28	27			24	23	22	21	20	19	18	17		
SALEABLE	NOT APPLICABLE	34566-8423	0	C	BLUE				69					64		62	61	60				57			54			
						52	51	50	49	48		46	45	44		42	41					37				34	33	
						73									28	27	26	25										
SALEABLE	NOT APPLICABLE	34566-8433	0	H	ST GRAY		79	78	77																61			
						20													9				5					1
SALEABLE	NOT APPLICABLE	34566-8443	0	C	BLUE		71	70									61	60	59	58	57				54			
						52	51	50		48	47		45	44			41		39	38	37					34	33	
						73						32			28	27		25		23							18	17
SALEABLE	NOT APPLICABLE	34566-8453	0	A	BLACK	72	71	70	69	68		66	65	64	63		60					57	56			54		
						52	51	50	49	48		46	45	44	43	42		40	39	38	37	36					34	
						73						32	31	30	29	28					23	22	21	20				
SALEABLE	NOT APPLICABLE	34566-8463	0	B	ST GRAY	72		70								62	61	60	59				55					
						52				48	47	46		44	43			41	40				38	37	36	35		
						73								30								22	21	20	19	18		
SALEABLE	NOT APPLICABLE	34566-8473	0	C	BLUE		71	70								62	61	60				58	57		54			
						52	51	50	49	48	47		45	44			42	41					38	37		35	34	33
						73						32			28	27	26	25									19	18

MX123 52/66/73/80-WAY RECEPTACLE ASSY SEALED PIN OUT SHEET

STATUS	GM PART #	HRNS CONN ASSY			TPA	GROMMET CAP																				
		MATERIAL/PART	WIRE DRESS OPTION	KEY OPTION Fp	COLOR OPTION Fp	NUMBERS INDICATE CAVITIES OPEN FOR CIRCUITS																				
		NUMBER				Fp																				
SALEABLE	NOT APPLICABLE	34566-8483	0	A	BLACK	72	71	70	69	68		66	65	64	63		61	60			57	56		54	53	
						52	51	50	49	48		46	45	44	43	42			40	39	38	37	36		34	33
						73				32	31	30	29	28						23	22	21	20			2
SALEABLE	NOT APPLICABLE	34566-8493	0	B	ST GRAY	72		70		68	67					62	61	60	59				55			
						52				48	47	46		44	43			40								33
						73						30								22	21	20	19	18	17	
SALEABLE	NOT APPLICABLE	34566-8513	9	A	BLACK	72	71	70	69	68		66	65	64	63		61	60			57	56		54	53	
						52	51	50	49	48		46	45	44	43			40	39	38	37	36		34	33	
						73				32	31	30	29	28					24	23	22					
SALEABLE	NOT APPLICABLE	34566-8523	9	B	ST GRAY	72		70		68						62	61						55			
						52				48	47	46			43			40								
						73						30								22	21	20	19	18	17	
SALEABLE	NOT APPLICABLE	34566-8533	9	C	BLUE			70		67	66	65	64			61	60			57			54			
						52	51	50	49	48	47		45	44			41				37			34	33	
						73				32				28	27			25								18
SALEABLE	NOT APPLICABLE	34566-8543	9	C	BLUE		71		69		67	66	65	64			61	60			57		54			
						52	51	50	49	48	47	46	45	44						37			34	33		
						73				32				28	27											
SALEABLE	NOT APPLICABLE	34566-8553	0	B	ST GRAY					67	66	65	64			61	60			57			54			
						52	51	50	49	48	47		45	44			41				37			34	33	
						73				32				28	27			25								
SALEABLE	NOT APPLICABLE	34566-8563	0	A	BLACK					67						61	60			57			54			
						52	51			48	47	46			43	42		40	39	38	37	36	35			
						73								28						22	21				18	17
SALEABLE	NOT APPLICABLE	34566-8573	0	B	ST GRAY	72	71	70	69	68	67	66	65	64	63		61	60	59		57	56	55			
						52	51	50	49	48	47	46	45	44	43		41	40	39	38	37	36	35			33
						73				32	31	30	29	28				26		24	23	22	21	20	19	
SALEABLE	NOT APPLICABLE	34566-8583	0	C	BLUE	72	71	70	69		67	66	65	64			60				56			54		
						52	51	50	49		47	46	45	44			40	39	38					34		
						73					31	30		28		26	25	24	23	22	21					17
SALEABLE	NOT APPLICABLE	34566-8593	0	B	ST GRAY	72				68						62	61	60	59				55			
						52				48	47	46			43		41	40		38	37	36	35			
						73						30								22	21	20	19	18		
SALEABLE	TBD	34822-0183	0	A	BLACK	64	63	62	61	60	59					54	53		51		49	66				
																38	37		35		33					
						65					15	14	13						8	7			4	3	2	1
SALEABLE	TBD	34822-0193	0	A	BLACK	64	63								54	53		51		49	66					
															38	37		35		33						
						65							28					24	23		21	20	19	18	17	
SALEABLE	TBD	34822-0203	0	A	BLACK					15	14	13					8	7			4	3	2	1		
						64	63	62	61	60	59					54	53		51		49	66				
																38	37		35		33					
SALEABLE	TBD	34822-0213	0	A	BLACK					31			28				24	23	22	21	20	19	18	17		
																		8	7			4		2	1	
						65					31							24	23	22	21	20	19	18	17	

MX123 52/66/73/80-WAY RECEPTACLE ASSY SEALED PIN OUT SHEET

STATUS	GM PART #	HRNS CONN ASSY			TPA	GROMMET CAP																						
		MATERIAL/PART	WIRE DRESS OPTION	KEY OPTION Fp	COLOR OPTION Fp	NUMBERS INDICATE CAVITIES OPEN FOR CIRCUITS																						
		NUMBER				Fp																						
SALEABLE	NOT APPLICABLE	34566-8613	0	C	BLUE	52	71	70			67	66	65	64			61	60	59	58	57			54				
										48	47			45	44			41	40	39	38	37				34	33	
						73				32				28	27			25		23							18	17
SALEABLE	NOT APPLICABLE	34566-8623	9	C	BLUE					68			65		63	62	61		59	58	57	56	55		53			
										48			45		43	42	41					37	36	35	34	33		
						73				32	31													20	19	18		
SALEABLE	NOT APPLICABLE	34566-8633	0	B	ST GRAY	72										62	61											
						52				48	47	46			43			40										
						73							30										22	21	20	19	18	17
SALEABLE	NOT APPLICABLE	34566-8643	0	C	BLUE		71	70			67	66		64			61	60			57				54			
						52	51	50	49	48			45	44			41				37					34	33	
						73				32				28	27			25									18	17
SALEABLE	NOT APPLICABLE	34566-8653	9	C	BLUE		71		69		67	66	65	64	63		61	60			57							
						52	51	50		48	47	46	45		43		41				37					34	33	
						73								28	27			25										
SALEABLE	NOT APPLICABLE	34566-8663	0	B	ST GRAY	72	71	70	69					64	63		61	60			58	57	56	55				
						52	51	50	49					43								38	37	36			33	
						73				32			30	29	28		26	25	24	23	22	21	20					
SALEABLE	NOT APPLICABLE	34822-0223	0	A	BLACK	64	63	62	61	60	59					54	53		51		49	66						
														38	37		35		33									
						65					31			28				24	23	22	21	20	19	18	17			
SALEABLE	NOT APPLICABLE	34566-8673	0	F	NATURAL	72		70		68	67	66			63	62			59		57				53			
						52	51		49	48	47	46		44			41	40	39		37	36	35	34	33			
						73						30			27	26	25	24		22	21	20						
SALEABLE	NOT APPLICABLE	34566-8683	0	B	ST GRAY	72		70		68	67	66			63	62			59		57				53			
						52	51		49	48	47	46		44			41	40	39		37	36	35	34	33			
						73				32		30			27	26	25	24		22	21	20						
SALEABLE	NOT APPLICABLE	34566-8693	0	A	BLACK					68	67	66			63	62			59		57				53			
						52	51		49	48	47	46		44			41	40	39		37	36	35	34	33			
						73				32		30			27	26	25	24		22	21	20						
SALEABLE	NOT APPLICABLE	34566-8713	9	B	ST GRAY	72	71	70	69					64	63			61	60			58	57	56	55			
						52	51	50	49					43								38	37	36			33	
						73				32		30	29	28		26	25	24	23	22	21	20						
SALEABLE	NOT APPLICABLE	34566-8723	0	C	BLUE		71	70				66		64			61	60			57				54			
						52	51	50	49	48			45	44			41				37					34	33	
						73				32				28	27			25									18	17
SALEABLE	NOT APPLICABLE	34566-8733	0	A	BLACK	72	71	70	69	68		66	65	64	63			60			57	56				54		
						52	51	50	49	48		46	45	44	43	42		40	39	38	37	36				34		
						73				32	31	30	29	28					23	22	21	20						
SALEABLE	NOT APPLICABLE	34566-8743	0	C	BLUE					67	66		64												54			
						52	51	50	49		47	46		44					39	38								
						73						30	29	28	27	26	25	24	23	22	21							17
SALEABLE	NOT APPLICABLE	34566-8753	0	B	ST GRAY	72	71	70	69	68	67	66	65	64	63		61	60			58	57	56	55	54	53		
						52	51	50	49	48	47	46	45	44	43			40				37	36	35	34	33		
						73				32		30	29	28		26	25	24				21			19			

MX123 52/66/73/80-WAY RECEPTACLE ASSY SEALED PIN OUT SHEET

STATUS	GM PART #	HRNS CONN ASSY			TPA	GROMMET CAP																					
		MATERIAL/PART	WIRE DRESS OPTION	KEY OPTION Fp	COLOR OPTION Fp	NUMBERS INDICATE CAVITIES OPEN FOR CIRCUITS																					
		NUMBER				Fp																					
SALEABLE	NOT APPLICABLE	34566-8763	0	A	BLACK	72	71	70				67	66						59	58	57	56	55	54	53		
						52	51	50				47	46							39		37	36	35		18	17
						73			32	31	30	29	28	27	26					21						3	2
SALEABLE	12672857	34822-0243	9	A	BLACK	64	63	62	61	60	59					54	53		51		49	66					
							47								38	37		35		33							
						65							28				25	24		22	21	20	19	18	17		
SALEABLE	NOT APPLICABLE	34822-0253	0	A	BLACK		63	62	61	60	59					54	53		51		49	66					
															38	37		35		33							
						65							28				25	24		22	21	20	19	18	17		
SALEABLE	NOT APPLICABLE	34822-0263	9	C	BLUE	64	63	62		60	59					54	53		51		49	66					
						48	47	46	45						39		37	36	35	34	33						
						65			32	30	29	28	27	26	25	24	23	22	21						19	18	17
SALEABLE	NOT APPLICABLE	34822-0273	9	A	BLACK	64	63									54	53		51		49	66					
							47								38	37		35		33							
						65							28						22		20	19	18	17			
SALEABLE	NOT APPLICABLE	34822-0283	0	A	BLACK				61	60	59				56	55				51		49	66				
						65			32																		
SALEABLE	NOT APPLICABLE	34822-0293	0	A	BLACK	64	63									54	53		51		49	66					
							47								38	37		35		33							
						65							28						22		20	19	18	17			
SALEABLE	NOT APPLICABLE	34566-8773	9	B	ST GRAY	72		70		68						62	61	60	59								
						52				48	47	46				43			40								
						73					30									22	21	20	19	18	17		
SALEABLE	NOT APPLICABLE	34566-8783	9	A	BLACK	72	71	70	69	68			66	65	64	63		61	60			57	56		54	53	
						52	51	50	49	48			46	45	44	43			40	39	38	37	36			34	33
						73			32	31	30	29	28							23	22	21					
SALEABLE	NOT APPLICABLE	34566-8793	9	C	BLUE		71	70			67	66	65				61	60			57			54			
						52	51	50	49	48	47		45	44			41			37					34	33	
						73			32				28	27		25										18	17
SALEABLE	NOT APPLICABLE	34566-8813	9	B	ST GRAY	72	71	70	69	68	67			65	64	63		61	60	59		57	56	55	54	53	
						52	51	50	49	48	47	46	45	44	43	42			40	39			36	35	34	33	
						73			32	31	30	29	28	27	26	25	24	23	22	21							
SALEABLE	NOT APPLICABLE	34566-8823	9	C	BLUE	72	71	70	69		67	66		64				60							54		
						52	51	50	49		47	46		44				40	39								
						73					30	29	28	27	26	25	24	23	22	21							
SALEABLE	NOT APPLICABLE	34566-8833	9	C	BLUE	72		70		68	67	66			63	62			59		57				54	53	
						52	51		49	48	47	46		44			41	40	39		37	36	35	34	33		
						73			32		30			27	26	25	24		22	21	20						
SALEABLE	NOT APPLICABLE	34566-8843	0	C	BLUE			70	69		67	66		64											54		
						52	51	50	49		47	46		44			41		39	38							
						73					30	29	28	27	26	25	24	23	22	21							
SALEABLE	NOT APPLICABLE	34566-8853	0	B	ST GRAY	72				68	67				63	62	61	60	59					55			
						52				48	47	46		44	43		41	40		38	37	36	35				
						73					30			27						22	21	20	19	18			

MX123 52/66/73/80-WAY RECEPTACLE ASSY SEALED PIN OUT SHEET

STATUS	GM PART #	HRNS CONN ASSY			TPA	GROMMET CAP																							
		MATERIAL/PART	WIRE DRESS OPTION	KEY OPTION Fp	COLOR OPTION Fp	NUMBERS INDICATE CAVITIES OPEN FOR CIRCUITS																							
		NUMBER				Fp																							
SALEABLE	NOT APPLICABLE	34566-9143	9	F	NATURAL	72	71	70			67	66	65	64	63	62	61	60	59			56	55	54	53				
						52	51	50	49	48	47	46	45	44										36	35	34			
						73				32	31		29	28	27	26	25	24	23	22	21	20							
SALEABLE	NOT APPLICABLE	34566-9153	9	B	ST GRAY						66																		
																41						38	37						
						73																		20	19	18	17		
SALEABLE	NOT APPLICABLE	34566-9163	9	B	ST GRAY					68	67	66	65			62		60	59						54	53			
										48	47	46	45	44		42	41	40	39							35	34		
						73					31				27												19	18	17
SALEABLE	NOT APPLICABLE	34566-9173	0	B	ST GRAY								65			62				58									
																41						38	37						
						73																			5				19
SALEABLE	NOT APPLICABLE	34822-0363	9	C	BLUE				61				58																
										44	43		41	40		38													
						65					31															20			
SALEABLE	NOT APPLICABLE	34822-0373	9	A	BLACK	64	63	62	61	60						55			52	51			5	4					
						48	47	46	45							38													
						65				32		30	29		27														
SALEABLE	NOT APPLICABLE	34822-0383	9	A	BLACK	64	63	62	61	60			57					52	51			49							
						48	47	46	45					40															
						65				32		30	29		27														
SALEABLE	NOT APPLICABLE	34822-0393	0	A	BLACK	64	63	62	61	60			57					52	51			49							
						48	47	46	45							38													
						65				32		30	29		27														
SALEABLE	NOT APPLICABLE	34822-0403	9	A	BLACK	64	63									54	53		51			49							
																38	37		35										
						65					31			28															
SALEABLE	NOT APPLICABLE	34822-0413	0	A	BLACK																								
						65																							
SALEABLE	NOT APPLICABLE	34822-0423	9	A	BLACK																								
										44	43	42	41	40	39		37	36	35	34	33								
						65					31			28															
SALEABLE	NOT APPLICABLE	34566-9183	9	B	ST GRAY	72	71	70	69	68	67		65	64	63	62	61	60	59			57	56	55	54	53			
						52	51	50	49	48	47	46	45	44	43	42		40	39										
						73				32	31	30	29	28	27	26	25	24	23	22	21								
SALEABLE	NOT APPLICABLE	34566-9193	9	F	NATURAL				69	68																			
						73							30																
SALEABLE	NOT APPLICABLE	34822-0433	0	A	BLACK	64	63	62		60	59		57	56	55	54	53	52	51	50	49								
						48	47	46	45				42																
						65				32		30	29	28	27	26	25	24	23	22	21								
SALEABLE	NOT APPLICABLE	34822-0443	0	A	BLACK	64	63	62		60	59		57	56	55	54	53	52	51	50	49								
						48	47	46	45				42																
						65				32	31	30	29	28	27	26	25	24	23	22	21								

MX123 52/66/73/80-WAY RECEPTACLE ASSY SEALED PIN OUT SHEET

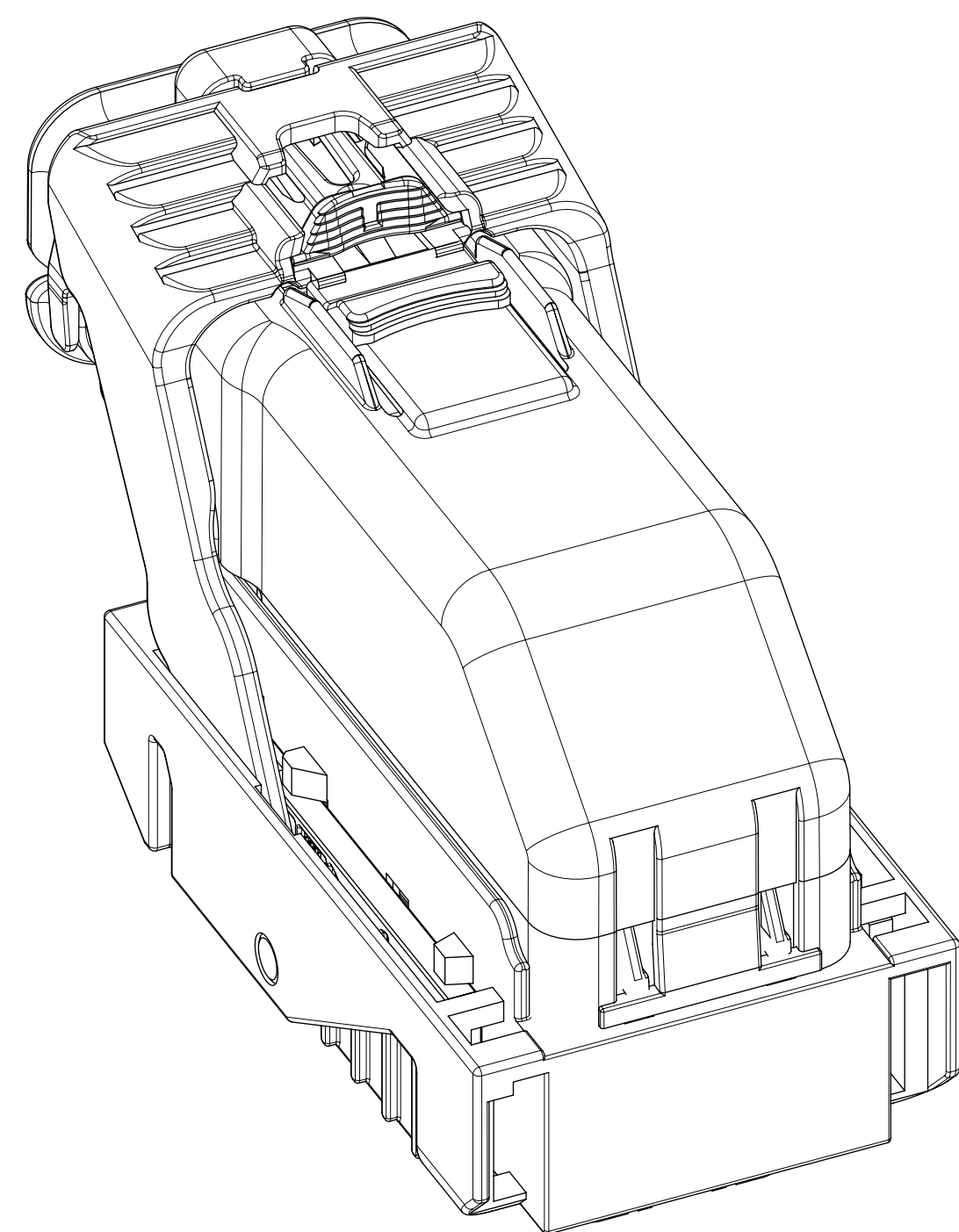
STATUS	GM PART #	HRNS CONN ASSY			TPA	GROMMET CAP																							
		MATERIAL/PART	WIRE DRESS OPTION	KEY OPTION Fp	COLOR OPTION Fp	NUMBERS INDICATE CAVITIES OPEN FOR CIRCUITS																							
		NUMBER				Fp																							
SALEABLE	NOT APPLICABLE	34566-9323	9	A	BLACK	72									64		62	61		59	58	57	56	55	54	53			
						52	51			48		46	45		43		41	40								20			
						73				32		30	29		27		25										4	3	
SALEABLE	NOT APPLICABLE	34566-9333	9	A	BLACK	72									64		62	61		59	58	57	56	55	54	53			
						52	51			48		46	45		43		41	40								20			
						73				32		30	29		27		25										4	3	
SALEABLE	NOT APPLICABLE	34566-9343	9	C	BLUE	72		70	69	68		66				63	62				58			56	55		53		
									49			46			43	42		40				38			36	35			
						73					31	30	29			26		24				22	21			20	19		17
SALEABLE	NOT APPLICABLE	34822-0503	0	A	BLACK	64		62	61	60	59	58				54	53		51										
						48	47								38	37	36		34										
						65						30	29	28			26		24			21							17
SALEABLE	NOT APPLICABLE	34822-0513	9	A	BLACK		63	62	61		59					54	53					49							
															38	37		35			33								
						65					31			28				24			22	21			20	19	18	17	
SALEABLE	NOT APPLICABLE	34566-9353	9	A	BLACK	72									64		62	61			58	57	56	55	54	53			
						52	51			48		46	45		43		41	40							20				
						73				32		30	29		27		25									4			
SALEABLE	NOT APPLICABLE	34566-9363	9	A	BLACK	72									64		62	61				57	56	55	54	53			
						52	51					46	45		43			40					37			35	34		
						73				32		30	29		27		25									4			
SALEABLE	NOT APPLICABLE	34566-9373	9	G	BLUE	80														66			64						
							59		57								49												
							39										30												
SALEABLE	NOT APPLICABLE	34566-9383	9	A	BLACK	72	71	70	69	68					64	63	62	61		59	58	57	56	55	54	53			
						52	51	50		48	47	46	45	44	43		41	40	39	38	37					35	34	33	
						73				32		30	29		27	26	25	24								20	19	18	17
SALEABLE	NOT APPLICABLE	34566-9393	0	B	ST GRAY	72	71	70	69	68	67		65	64	63		61	60	59			57	56	55	54	53			
						52	51	50	49	48	47	46	45	44	43	42		40	39					36	35	34	33		
						73				32	31	30	29	28	27	26	25	24	23	22	21	20							
SALEABLE	NOT APPLICABLE	34566-9413	9	H	ST GRAY																								
SALEABLE	NOT APPLICABLE	34566-9423	0	A	BLACK	72	71	70			67	66									58	57	56	55	54	53			
						52	51	50			47	46										39		37	36	35		33	
						73				32	31	30	29	28	27	26												18	17
SALEABLE	NOT APPLICABLE	34566-9433	0	B	ST GRAY	72	71	70	69	68	67	66	65	64	63		61				58	57	56	55	54	53			
						52	51	50	49	48	47	46	45	44				40	39					37	36	35	34	33	
						73						30	29	28	27	26	25	24			21								
SALEABLE	NOT APPLICABLE	34566-9443	9	B	ST GRAY	72	71	70	69	68	67		65	64	63	62	61	60	59			57	56	55	54	53			
								50	49	48	47	46		44	43	42		40	39						36	35	34	33	
						73				32	31	30	29	28	27	26	25	24	23	22	21								
SALEABLE	NOT APPLICABLE	34566-9453	0	A	BLACK	72	71	70	69		67			64			61	60	59			57	56	55	54	53			
						52	51			48			45	44			41	40	39	38	37	36	35	34					
						73					31	30	29		27	26	25			22						19	18		

MX123 52/66/73/80-WAY RECEPTACLE ASSY SEALED PIN OUT SHEET

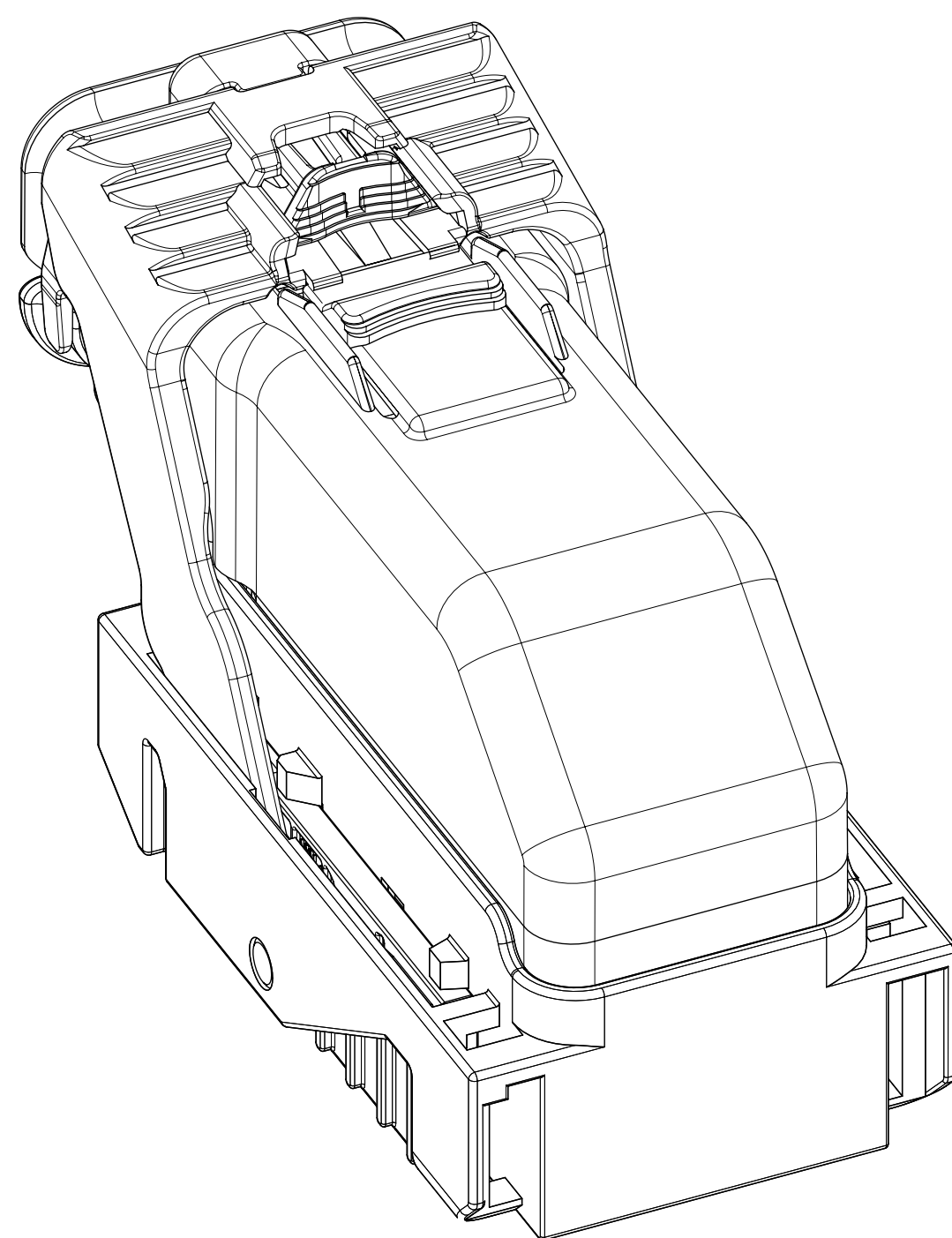
STATUS	GM PART #	HRNS CONN ASSY			TPA	GROMMET CAP																					
		MATERIAL/PART	WIRE DRESS OPTION	KEY OPTION Fp	COLOR OPTION Fp	NUMBERS INDICATE CAVITIES OPEN FOR CIRCUITS																					
		NUMBER				Fp																					
SALEABLE	NOT APPLICABLE	34566-9633	9	B	ST GRY	72	71	70	69	68	67		65	64	63		61	60	59		57	56	55	54	53		
						52	51	50	49	48	47	46	45	44	43	42		40	39				36	35	34	33	
						73				32	31	30	29	28	27	26	25	24	23	22	21	20				3	2
SALEABLE	NOT APPLICABLE	34566-9643	9	A	BLACK				69					64	63		61		59								
						52				48				44	43		41		39	38				35	34		
						73						30	29							10						5	
SALEABLE	NOT APPLICABLE	34566-9653	9	G	BLUE	80														66	65						
							59		57																		
							39									30											
SALEABLE	NOT APPLICABLE	34566-9663	0	B	ST GRY	72	71	70	69	68	67	66	65	64	63		61				58	57	56	55	54	53	
						52	51	50	49	48	47	46	45	44				40					37	36	35	34	33
						73				32		30	29	28				26	25	24			21				
SALEABLE	NOT APPLICABLE	34822-0533	9	C	BLUE	64	63			60	59		57	56	55		53	52	51	50	49	66					
						48	47	46	45			42			39	38		36	35	34	33						
						65				32		30	29	28	27	26	25	24	23	22			20			18	17
SALEABLE	NOT APPLICABLE	34822-0543	0	A	BLACK	64	63	62	61	60	59					54	53		51		49	66					
							47								38	37		35			33						
						65								28			25	24		22	21	20	19	18	17		
SALEABLE	NOT APPLICABLE	34822-0553	0	A	BLACK	64	63								54	53		51		49	66						
														38	37		35		33								
						65					31			28				24	23		21	20	19	18	17		
SALEABLE	NOT APPLICABLE	34822-0563	0	C	BLUE	64	63	62		60	59		57	56	55	54	53	52	51	50	49	66					
						48	47	46	45			42			39		37	36	35	34	33						
						65				32		30	29	28	27	26		24	23	22				19	18	17	
SALEABLE	NOT APPLICABLE	34566-9673	0	C	BLUE	72	71	70	69		67	66	65	64					60			56		54			
						52	51	50	49		47	46	45	44					40	39	38					34	
						73					31	30		28			26	25	24	23	22	21	20				
SALEABLE	NOT APPLICABLE	34566-9683	0	B	ST GRY	72	71	70	69	68	67	66	65	64	63		61	60			57	56	55	54			
						52	51	50	49	48	47	46	45	44	43		41	40			38	37	36	35		33	
						73				32	31	30	29	28			26		24	23	22	21	20	19			17
SALEABLE	NOT APPLICABLE	34566-9693	0	A	BLACK	72		70			67					63											
						52	51			48	47				43	42		40	39	38	37	36	35			33	
						73								28												18	17
SALEABLE	NOT APPLICABLE	34566-9713	0	B	ST GRY					68	67	66	65	64					59	58	57		55	54	53		
							51	50	49	48		46	45		43	42		40	39	38	37			35		33	
						73				32	31	30				26		24	23	22		20					
SALEABLE	NOT APPLICABLE	34566-9723	0	B	ST GRY	72	71	70	69	68	67	66	65	64	63		61				58	57	56	55			
						52	51	50	49	48	47	46	45		43			40				37	36				
						73				32		30	29	28			26	25	24			21			19		
SALEABLE	NOT APPLICABLE	34566-9733	0	A	BLACK	72	71	70			67	66							59						53		
						52	51	50			47	46							39				37			35	33
						73						30	29	28	27	26					21						17
SALEABLE	NOT APPLICABLE	34822-0573	0	A	BLACK	64	63									54	53		51		49	66					
															38	37		35		33							
						65								28					24		22			20	19	18	17

MX123 52/66/73/80-WAY RECEPTACLE ASSY SEALED PIN OUT SHEET

STATUS	GM PART #	HRNS CONN ASSY			TPA	GROMMET CAP																					
		MATERIAL/PART	WIRE DRESS OPTION	KEY OPTION Fp	COLOR OPTION Fp	NUMBERS INDICATE CAVITIES OPEN FOR CIRCUITS																					
		NUMBER				Fp																					
SALEABLE	NOT APPLICABLE	34822-0653	0	A	BLACK	64	63	62	61		59					54	53				49	66					
											31			28				24		22	21	20	19	18	17		
						65					15	14	13	12				8	7				4	3	2	1	
SALEABLE	NOT APPLICABLE	34566-9833	9	B	ST GRAY	72	71	70	69	68	67			64	63		61			58	57	56	55	54	53		
						52	51	50	49	48	47			44	43		41			38	37	36				33	
						73					32		30	29	28		26	25	24	23	22	21	20				
SALEABLE	NOT APPLICABLE	34566-9843	9	A	BLACK	72	71	70			67	66	65	64	63	62	61			59				55	54	53	
						52	51	50			47	46	45	44	43	42	41	40	39			37	36	35	34	33	
						73							30	29												18	17
SALEABLE	NOT APPLICABLE	34566-9853	9	B	ST GRAY	72	71	70	69	68	67			65	64	63	62	61	60	59	58	57	56	55	54	53	
						52	51	50	49	48	47	46	45	44	43	42		40	39			36	35	34	33		
						73					32	31	30	29	28	27	26	25	24	23	22	21	20				
SALEABLE	NOT APPLICABLE	34566-9863	0	B	ST GRAY	72	71	70	69	68	67			65	64	63	62	61	60	59		57	56	55	54	53	
						52	51	50	49	48	47	46	45	44	43	42		40	39			36	35	34	33		
						73					32	31	30	29	28	27	26	25	24	23	22	21					
SALEABLE	NOT APPLICABLE	34566-0004	0	A	BLACK	72	71	70	69		67			64	63		61	60	59		57	56	55	54	53		
						52	51			48			45	44	43		41	40	39	38	37	36	35	34	33		
						73					31	30	29		27	26	25		22				19	18			
SALEABLE	NOT APPLICABLE	34566-0014	0	G	BLUE	80	79	78	77		75								66	65	64		62				
							59		57										46			43	42	41			
							39	38	37		35		33	32		30				26	25	24		22	21		
SALEABLE	NOT APPLICABLE	34566-0024	0	G	BLUE	20		18	17	16	15			12				8	7	6	5		3	2	1		
SALEABLE	NOT APPLICABLE	34566-0034	0	G	BLUE	80	79	78			75							66	65	64		62					
							59		57				53						46			43	42	41			
							39	38	37		35		33	32		30				26	25	24		22	21		
SALEABLE	NOT APPLICABLE	34566-0044	0	A	BLACK	72	71	70	69		67			64			61	60	59		57	56	55	54	53		
						52	51			48			45	44			41	40	39	38	37	36	35	34	33		
						73					31	30	29		27	26	25		22				19	18			
SALEABLE	NOT APPLICABLE	34566-0054	0	G	BLUE	80	79	78	77		75							66	65	64		62					
							59		57										46			43	42	41			
							39	38	37		35		33			30				26	25	24		22	21		
SALEABLE	NOT APPLICABLE	34566-0064	0	A	BLACK	72	71	70	69		67			64	63		61	60	59		57	56	55	54	53		
						52	51			48			45	44	43		41	40	39	38	37	36	35	34			
						73					31	30	29		27	26	25		22				19	18			
SALEABLE	NOT APPLICABLE	34566-0084	0	A	BLACK			70	69		67			64			61	60	59		57	56	55	54	53		
						52	51			48			45	44			41	40	39	38	37	36	35	34	33		
						73					31	30	29		27	26	25		22				19				
SALEABLE	NOT APPLICABLE	34566-0094	0	B	ST GRAY	72	71	70	69	68	67			65	64	63	62	61	60	59		57	56	55	54	53	
						52	51	50	49	48	47	46	45	44	43	42		40	39			36	35	34	33		
						73					32	31	30	29	28	27	26	25	24	23	22	21					
SALEABLE	NOT APPLICABLE	34566-0104	0	B	ST GRAY	72	71	70	69	68	67			65	64	63	62	61	60	59		57	56	55	54	53	
								50	49	48	47	46		44	43	42		40	39			36	35	34	33		
						73					32	31	30	29	28	27	26	25	24	23	22	21					



TYPE 2



TYPE 1

NOTES: UNLESS OTHERWISE SPECIFIED

1. MATERIAL:

- A. RESIN: SEE COMPONENT DRAWINGS
- B. FOR BILL OF MATERIALS: SEE TABLE

2. DESIGN - GENERAL:

- A. THIS IS A 100% CAD GENERATED PART. THE CAD MATHEMATICAL DATA IS THE MASTER FOR THIS PART. FOR DIMENSIONAL OR ANY INFORMATION NOT SHOWN ON THIS DRAWING, ANALYZE THE CAD MODEL.
- B. TOLERANCES:
 - a. LINEAR X.X ± 0.30
X.XX ± 0.10
X.XXX ± 0.10
 - b. ANGULAR X° ± 3.0°
- C. CORNERS SHOWN AS SHARP TO BE R 0.2 MAX.
- D. FOLLOWING PRODUCTION CODES TO BE PERMANENTLY MARKED & HUMAN READABLE TO A LETTER HEIGHT <3mm.
LINE #1: MATERIAL #:XXXX-XXXX
LINE #2: DATE CODE: JJYY (JULIAN DAY, LAST DIGIT OF YEAR)
LINE #3: INSPECTION MACHINE CODE + SERIAL #: X.XXXXX
- E-1. PARTS MUST BE FREE OF DISCOLORATION, SALT RESIDUE AND OTHER IMPERFECTIONS THAT AFFECT FIT OR FUNCTION.
- E-2. SCRATCHES OR DENTS NOT TO EXCEED 0.13mm IN DEPTH.
- F. CHANGES IN DESIGN FROM PART PREVIOUSLY APPROVED REQUIRES PRIOR ENGINEERING APPROVAL. THIS INCLUDES BUT IS NOT LIMITED TO DRAFT, MATERIAL OR PROCESSING.
- G. SHALL CONFORM TO THE FOLLOWING PACKAGING SPECIFICATION : PK-31300-019

3. DESIGN - MANUFACTURING:

- A. DRAFT TO BE WITHIN TOLERANCE.
- B. ALLOWABLE FLASH 0.2 MAX HIGH X 0.13 MAX THICK.
- C. ALLOWABLE PARTING LINE MISMATCH 0.2 MAX.
- D. EJECTOR PINS MARK TO BE FLUSH TO 0.25 MAX DEPRESSED.
- E. ALLOWABLE GATE VESTIGE TO BE FLUSH TO 0.25 MAX PROTRUSION.

4. SYSTEM REQUIREMENTS:

WHEN TESTED TO SAE/USCAR-2 REV: 3, APRIL 2001, AND GMW #3191, AUGUST 22, 2000 (DRAFT).

A. TPA (WITHOUT TERMINALS)

- a. INSERTION FORCE FROM PRE-SET TO LOCK: ≥20N
- b. REMOVAL FORCE FROM PRE-SET: ≥20N

B. CPA

- a. INSERTION FORCE FROM PRE-SET TO LOCK WITH CONNECTOR UN-MATED: ≥60N
- b. REMOVAL FORCE FROM PRE-SET: ≥30N

C. GROMMET CAP

- a. REMOVAL FORCE FROM HOUSING WITH ENGAGED LATCHES: ≥110N

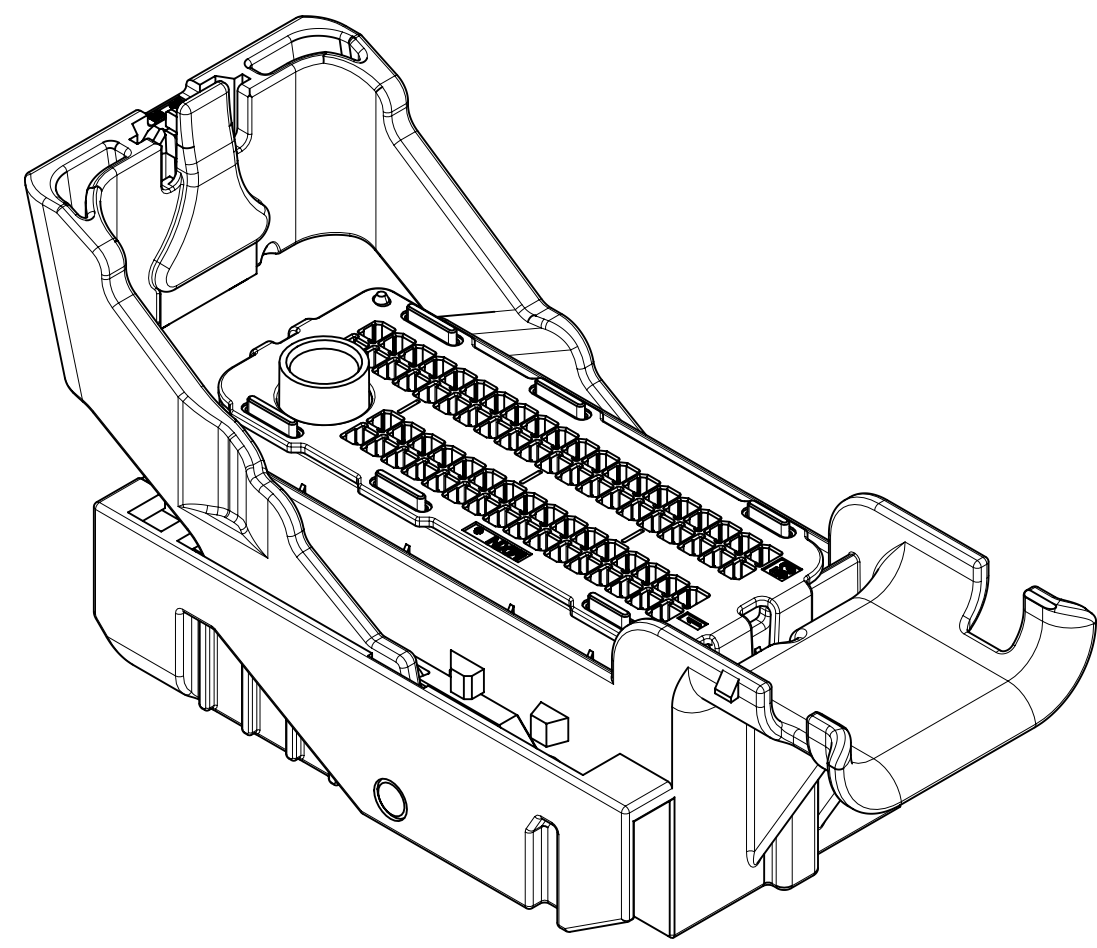
D. MATE ASSIST LEVER

- a. INADVERTENT ACTUATION FORCE DURING SHIPPING, HANDLING OR PRE-ASSEMBLY: ≥150N

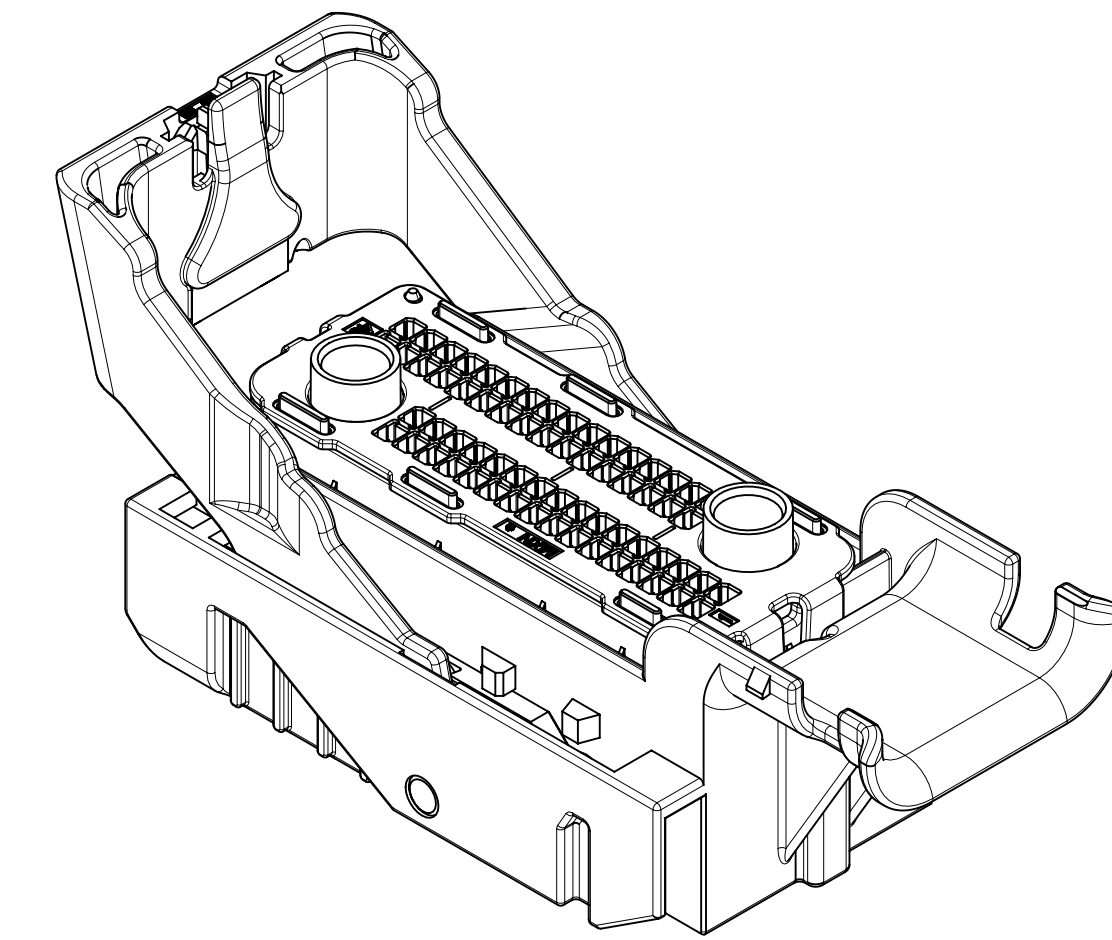
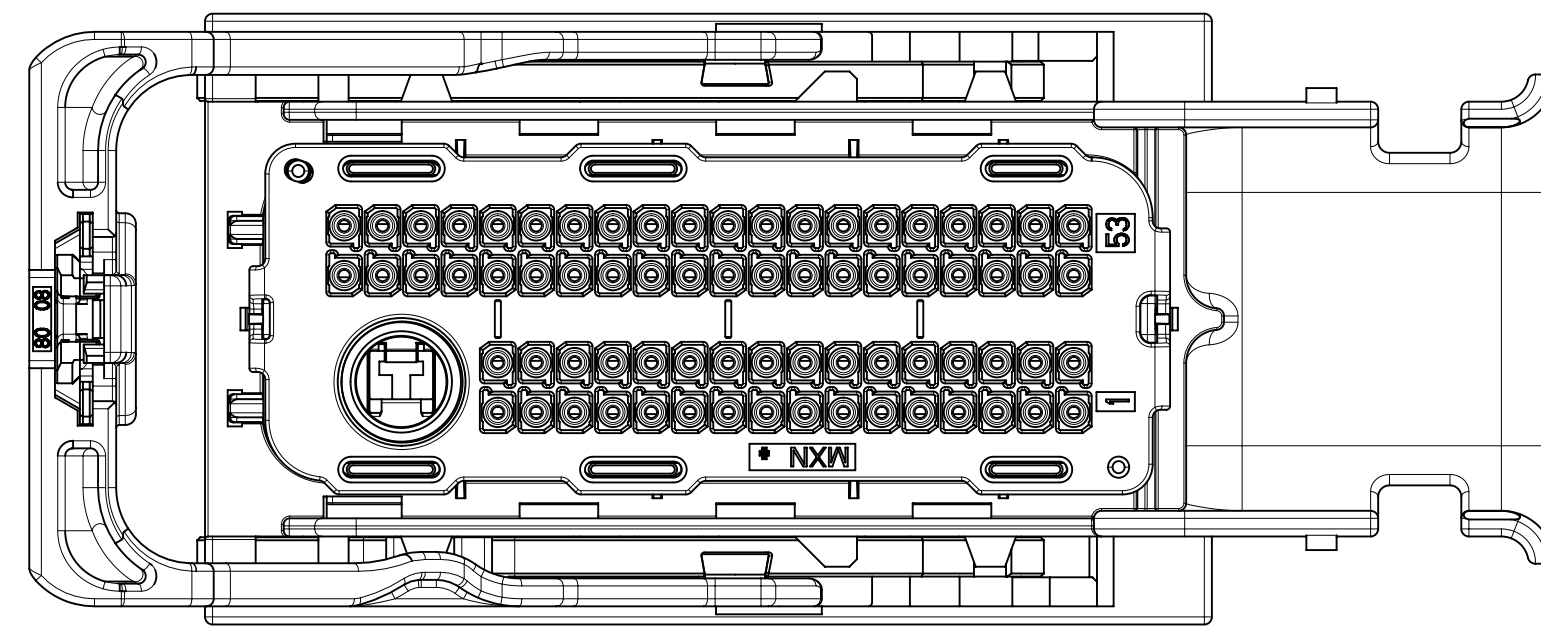
BOM		
CIRCUIT	TYPE-1	TYPE-2
73	345667301	2167390001
80	345668001	2167380001
66	348226601	2167410001

G65	TYPE-2 OPTION ADDED
G64	MIGRATED FROM ECTR TO TC
G63	CHANGE DIMENSION 47.92 AND 89.2+0.50 POSITION: CHANGE > TO ≥ IN NOTES 4; TAKE OFF MODEL NUMBERS IN SHEET 2-4
G62	UPDATE ALL VIEWS IN SHEET 1, SHEET 2 AND SHEET 3
G61	BOM MIGRATE TO 345660001-SD.pdf
G60	ADD NEW PIN CONFIGURATION 34822-0253 thru 34822-0293 , 34566-8773 thru 34566-8983, 34576-7663 thru 34576-7723
G59	UPDATED HARNESS ASSY PART# DESCRIPTIONS
G58	ADD NEW PIN CONFIGURATION 34566-8743 34566-8753 34566-8763 34822-0243
G56	TO RESOLVE ISSUES WITH VIEWS ON SHEETS 1, 2, 3 AND 4
G55	ADDED HARNESS CONNECTOR ASSEMBLY PART NUMBERS
G54	ADDED KNOCKOUT PATTERNS
G53	UPDATED DRAWING TO INCLUDE ISO WIRE AND AWG WIRE HRNS CONN ASSEMBLY PART NUMBERS
G52	ADD NEW PIN CONFIGURATION 34566-8613 34566-8623
G51	ADD NEW PIN CONFIGURATION 34566-8563 34566-8573 34566-8583 34566-8593 34822-0183 34822-0193 34822-0203 34822-0213
G50	ADD NEW PIN CONFIGURATION 34566-8543 34566-8553
G49	ADD NEW PIN CONFIGURATION 34566-8443 34566-8453 34566-8463 34566-8473 34566-8483 34566-8493 34566-8513 34566-8523 34566-8533
G48	ADD NEW PIN CONFIGURATION 34566-8393 34566-8413 34566-8423 34566-8433
G47	SHEETS SEQUENCE ARE CORRECTED
G46	ADD NEW PIN CONFIGURATION 34566-8223 34566-8233 34566-8243 34566-8253 34566-8263 34566-8273 34566-8283 34566-8293 34566-8313 34566-8323 34566-8333 34566-8343 34566-8353 34566-8363 34566-8373 34566-8383
G45	NX RE-MASTERING
G44	ADD NEW PIN CONFIGURATION 34566-8173
G43	ADD NEW PIN CONFIGURATION 34566-8163 34566-2493 SAME AS P/N 34566-3863
REV	DESCRIPTION

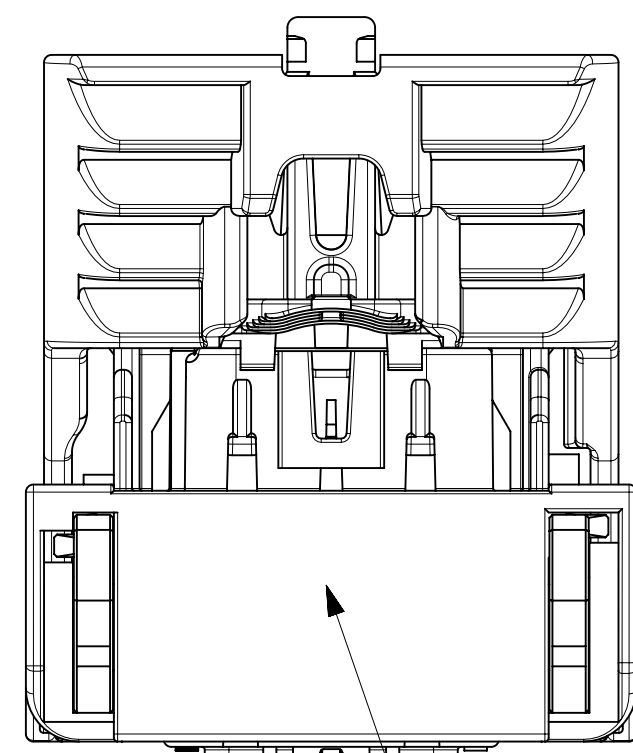
FUNCTIONAL SYMBOLS	THIS DRAWING CONTAINS INFORMATION THAT IS PROPRIETARY TO MOLEX ELECTRONIC TECHNOLOGIES, LLC AND SHOULD NOT BE USED WITHOUT WRITTEN PERMISSION		CURRENT REV DESC: SEE REVISION TABLE		
	$\frac{F}{A} = 0$ $\frac{F}{C} = 0$ $\frac{F}{P} = 0$	DIMENSION UNITS: mm SCALE: 2:1 GENERAL TOLERANCES (UNLESS SPECIFIED) ANGULAR TOL ± 0.5°	PHASE: Design Production CO NO: CO-00000304 DRWN: Kevin Kang 2022-04-28 CHK'D: Anil Kumar M S 2022-06-28 APPR: Brad Dick 2022-07-12	PRODUCT SALES DRAWING DOCUMENT NUMBER: SD-34566-001 DOC TYPE: PSD DOC PART: 000 REVISION: G65	
DIVISIONAL SYMBOLS	4 PLACES ± 3 PLACES ± 2 PLACES ± 1 PLACE ± 0 PLACES ±	DRAFT WHERE APPLICABLE MUST REMAIN WITHIN DIMENSIONS THIRD ANGLE PROJECTION 	DRAWING: D-SIZE SERIES: 34566	MATERIAL NUMBER: GENERAL MARKET CUSTOMER: 1 OF 11	



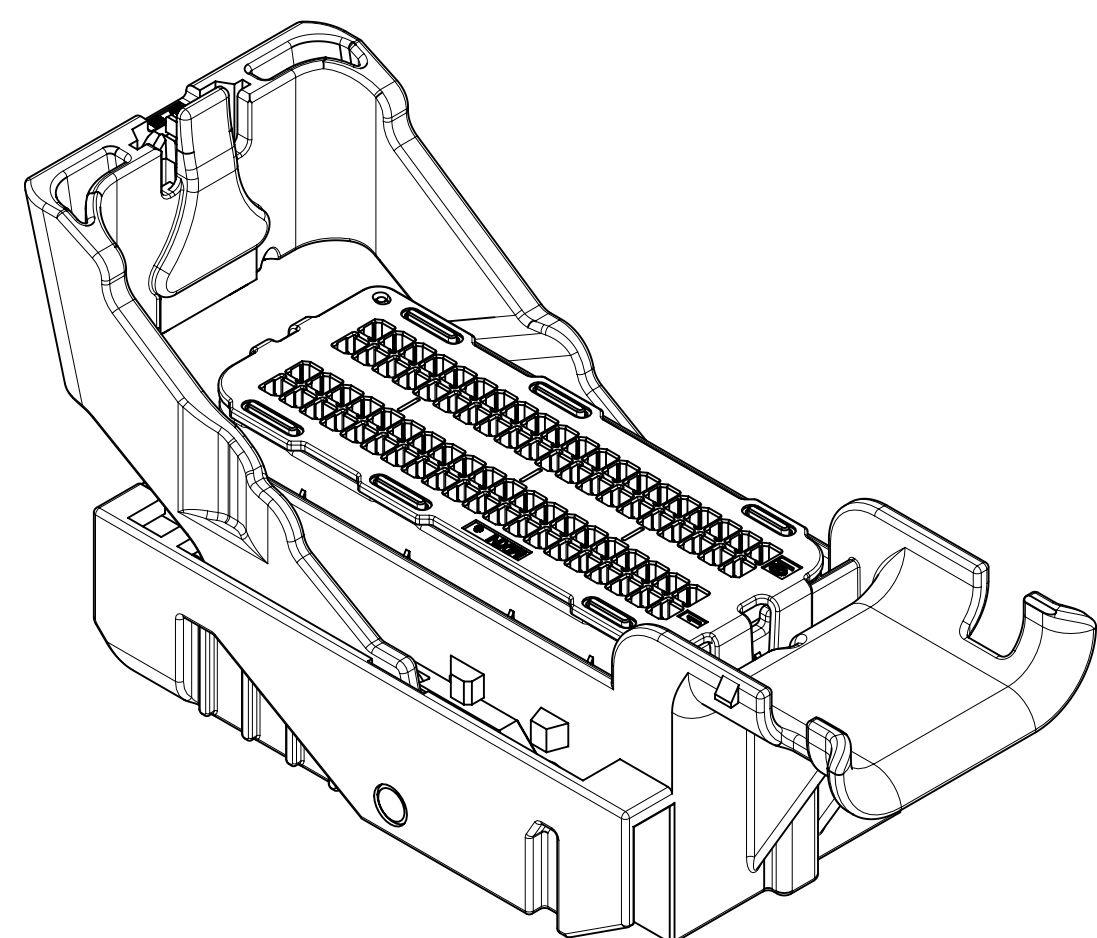
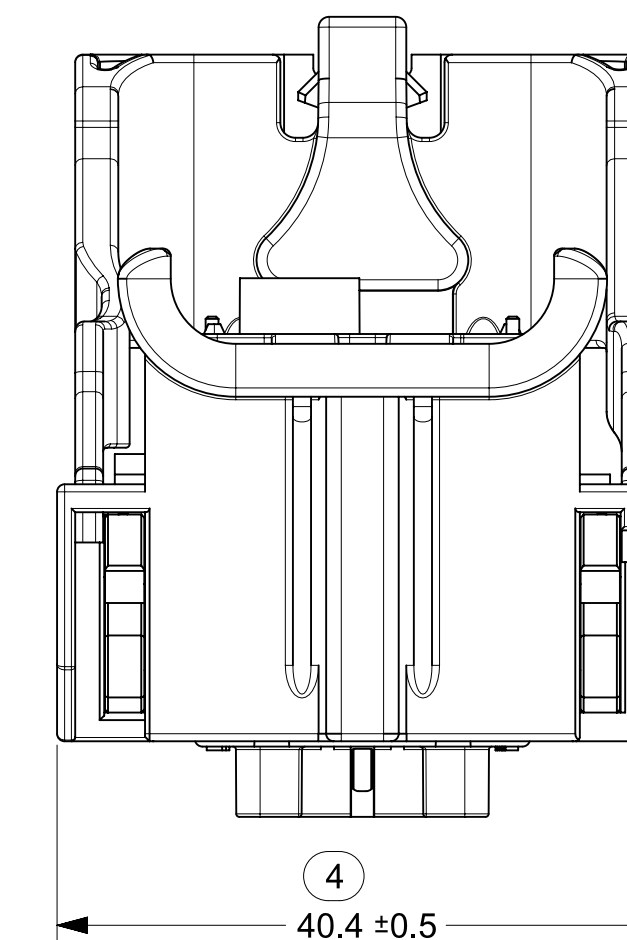
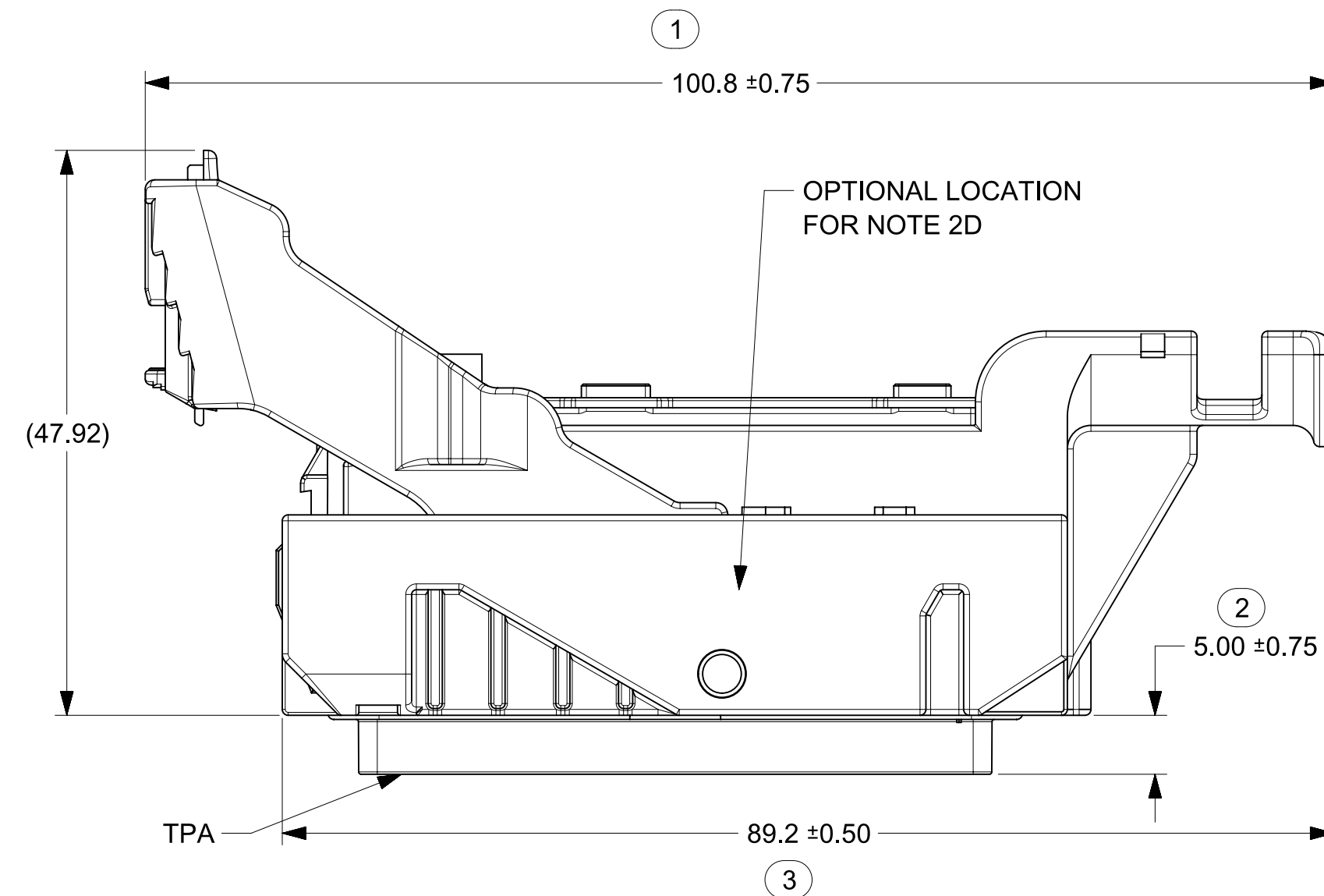
73 CKT
SCALE 3:2



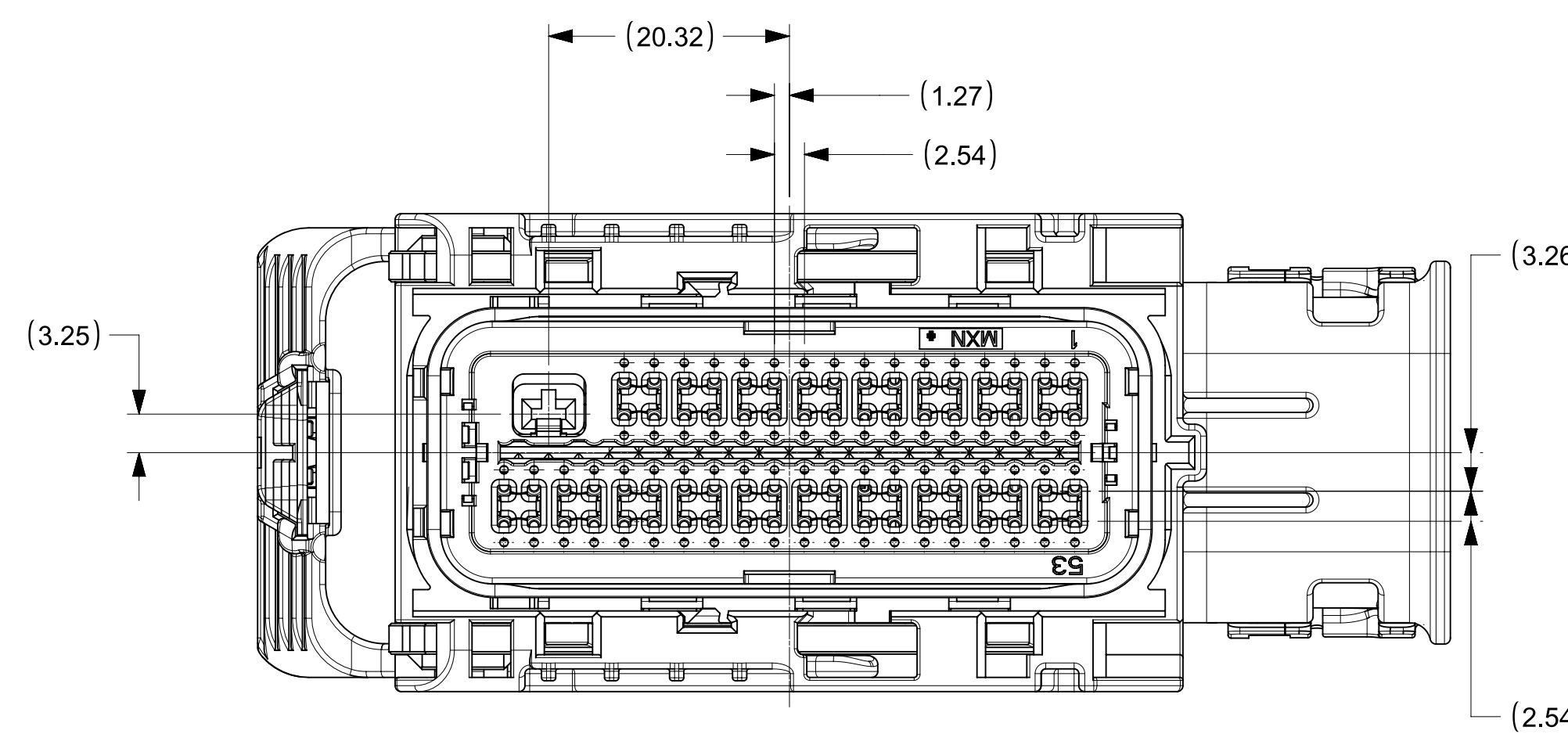
66 CKT
SCALE 3:2



RECOMMENDED LOCATION
FOR NOTE 2D



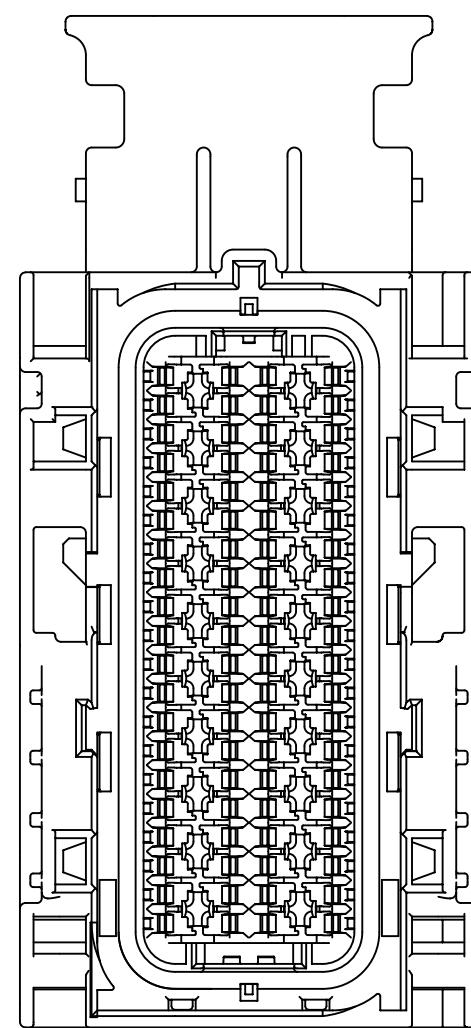
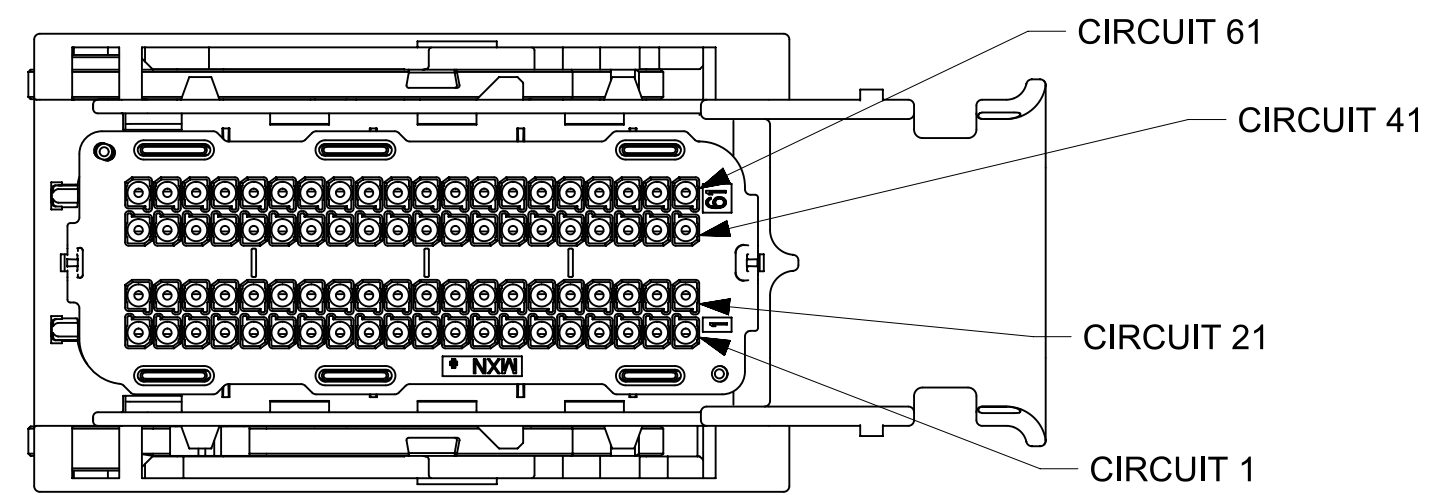
80 CKT
SCALE 3:2



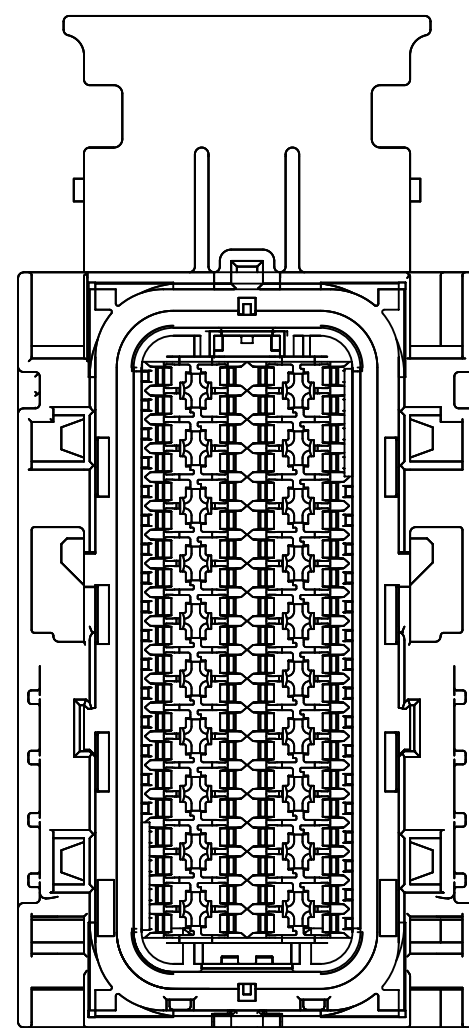
FUNCTIONAL SYMBOLS	THIS DRAWING CONTAINS INFORMATION THAT IS PROPRIETARY TO MOLEX ELECTRONIC TECHNOLOGIES, LLC AND SHOULD NOT BE USED WITHOUT WRITTEN PERMISSION		CURRENT REV DESC: SEE REVISION TABLE	
	DIMENSION UNITS	SCALE		
$\nabla_A = 0$	mm	2:1		
$\nabla_C = 0$	GENERAL TOLERANCES (UNLESS SPECIFIED)			
$\nabla_D = 0$	ANGULAR TOL $\pm 0.5^\circ$			
DIVISIONAL SYMBOLS	4 PLACES	\pm	PHASE: Design Production	
	3 PLACES	\pm	CO NO: CO-00000304	2022-04-28
	2 PLACES	\pm	DRWN: Kevin Kang	2022-06-28
	1 PLACE	\pm	CHK'D: Anil Kumar M S	2022-07-12
	0 PLACES	\pm	APPR: Brad Dick	
DRAFT WHERE APPLICABLE MUST REMAIN WITHIN DIMENSIONS		THIRD ANGLE PROJECTION	DRAWING	SERIES
			D-SIZE	34566
DOCUMENT NUMBER			CUSTOMER	SHEET NUMBER
SD-34566-001			GENERAL MARKET	2 OF 11
DOC TYPE		DOC PART	REVISION	
PSD		000	G65	
molex				
MX123 66/73/80CKT HRNS CONN ASSY				
PRODUCT SALES DRAWING				

HOUSING ONLY, SHOWN FOR CLARITY

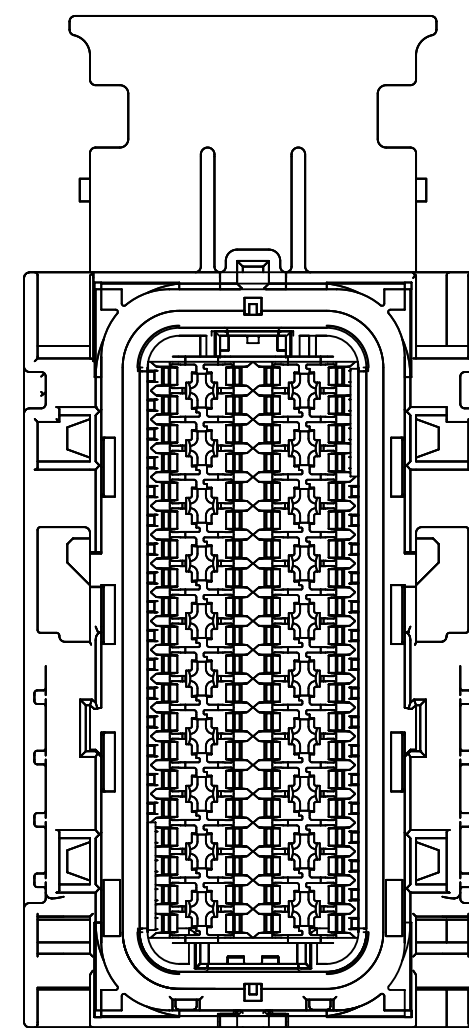
80 CKT
WIRE DRESS OPTION 0



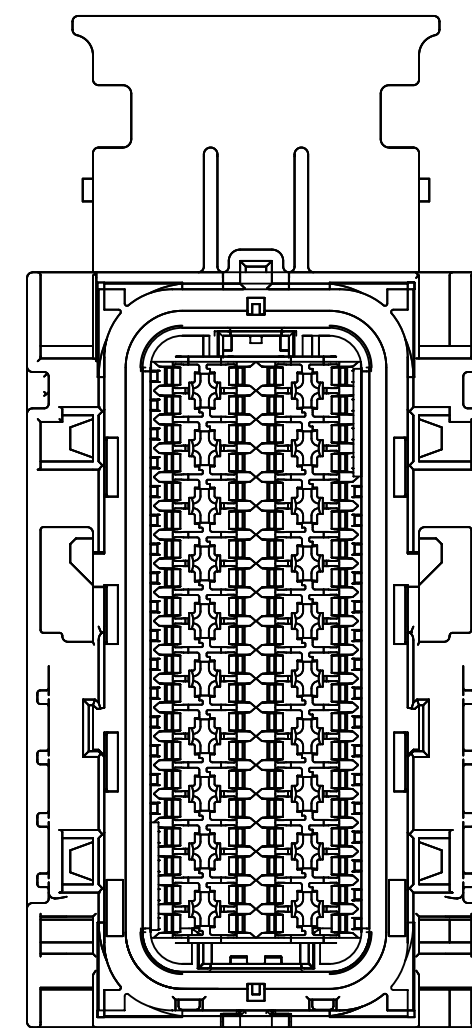
KEY G



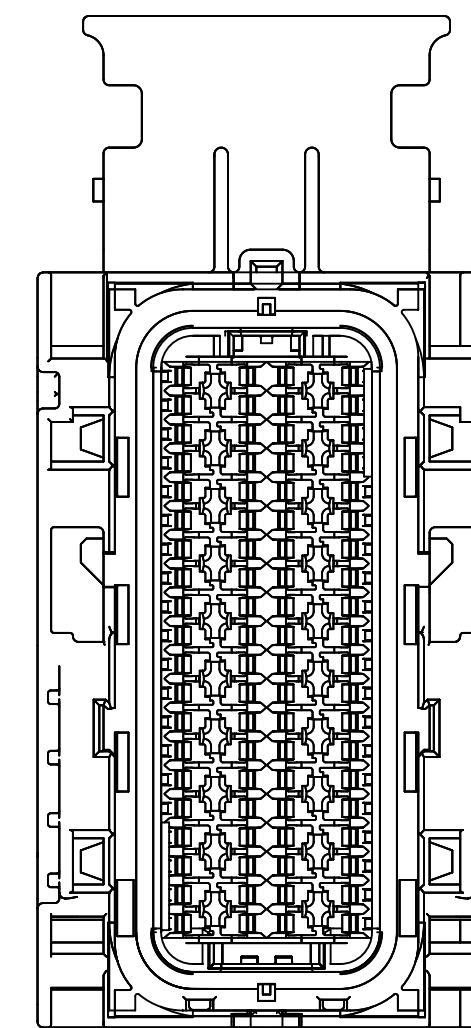
KEY H



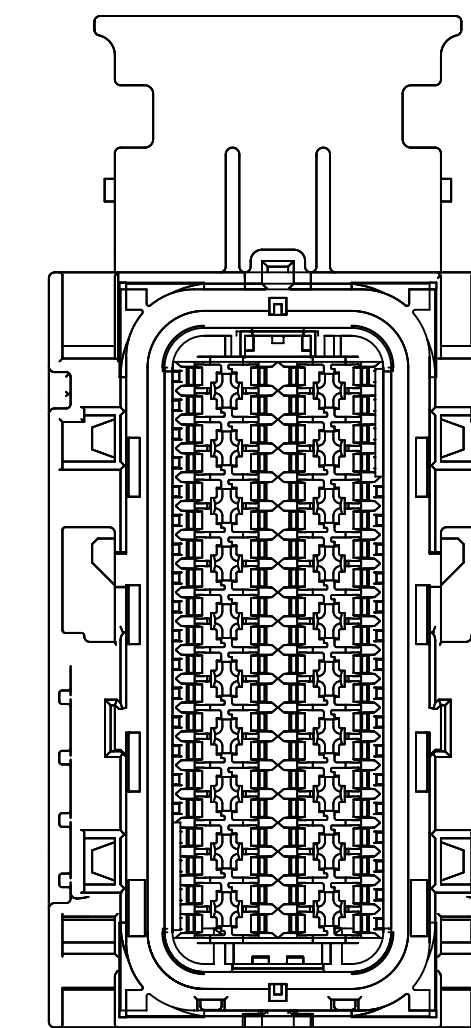
KEY J



KEY K

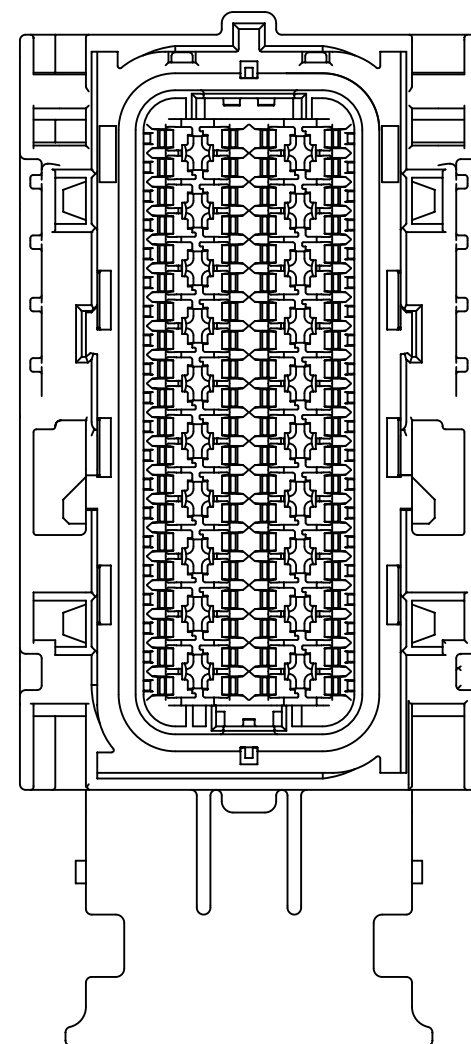
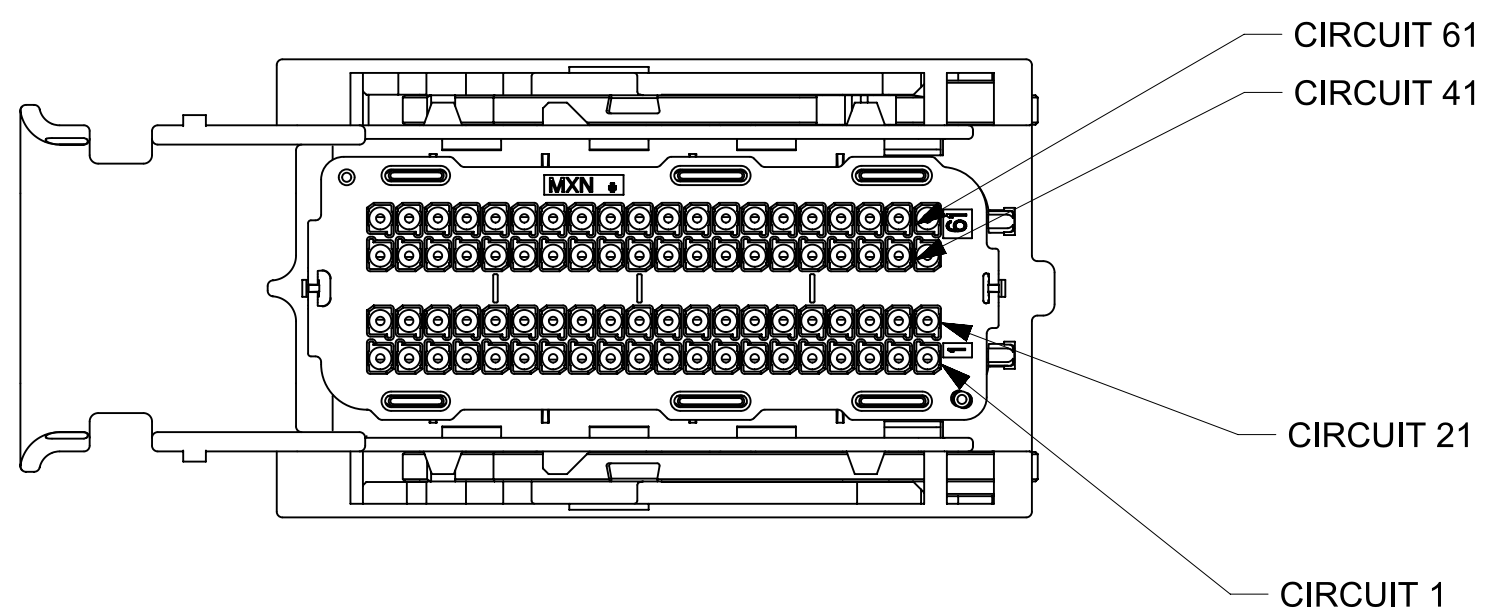


KEY L

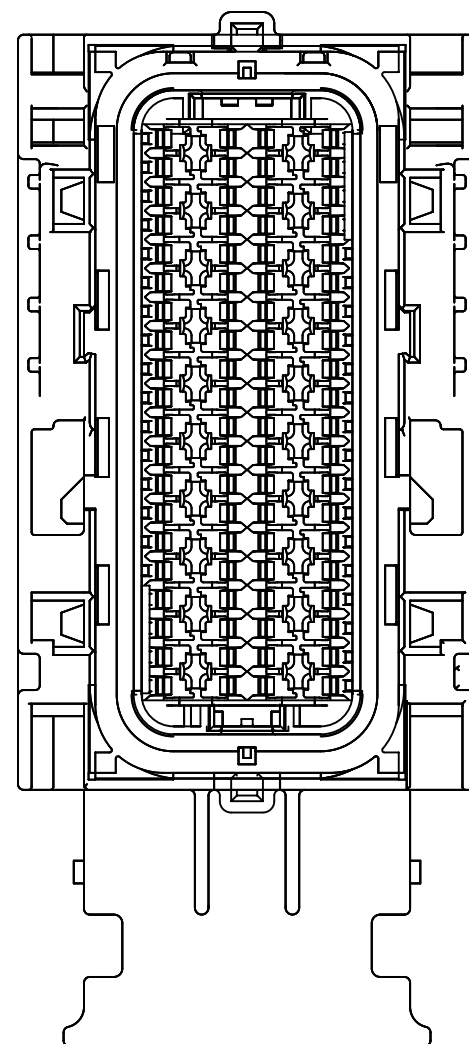


KEY M

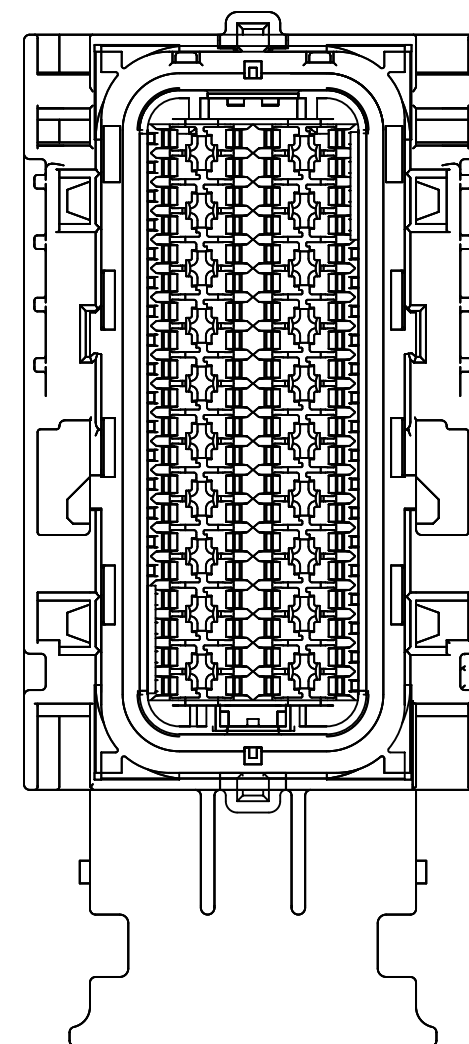
WIRE DRESS OPTION 9



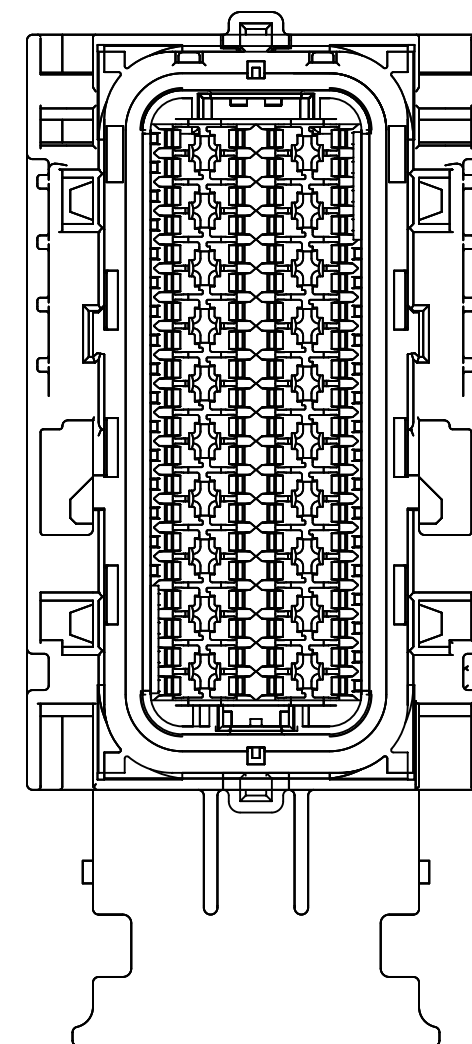
KEY G



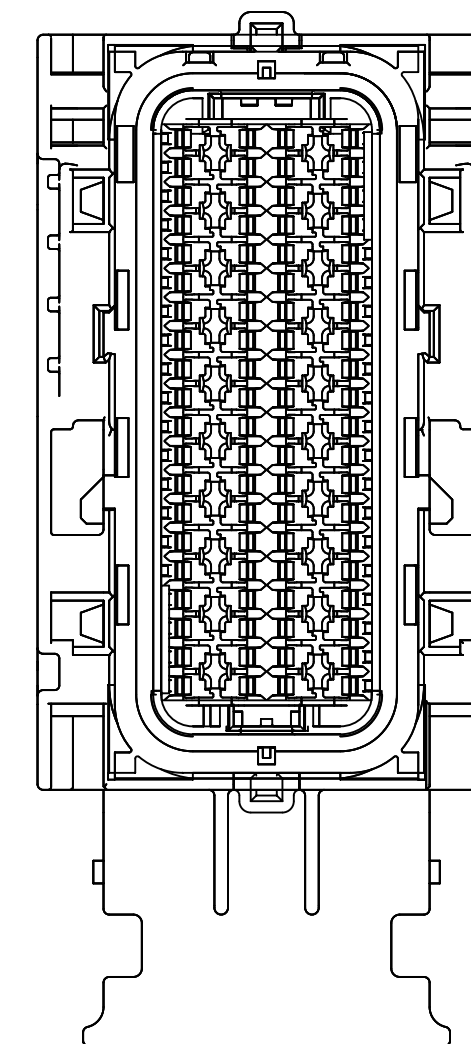
KEY H



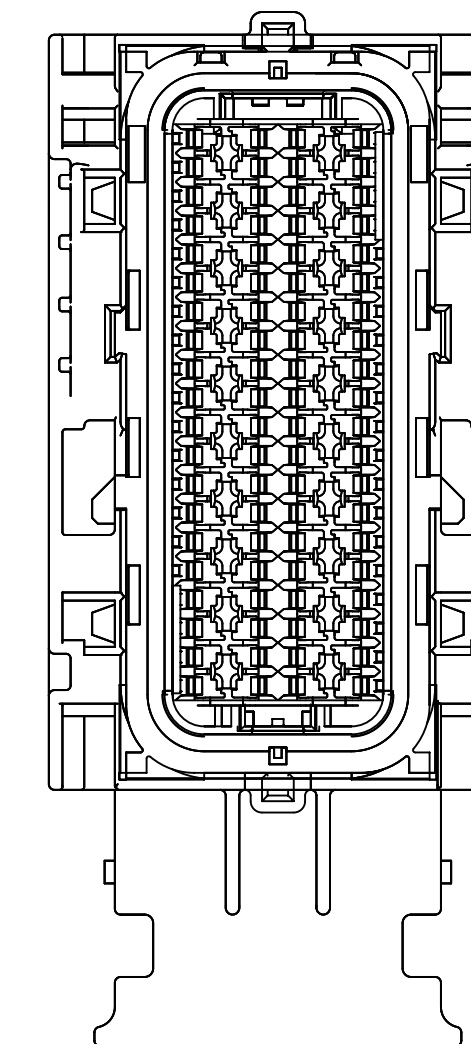
KEY J



KEY K



KEY L



KEY M

FUNCTIONAL SYMBOLS	THIS DRAWING CONTAINS INFORMATION THAT IS PROPRIETARY TO MOLEX ELECTRONIC TECHNOLOGIES, LLC AND SHOULD NOT BE USED WITHOUT WRITTEN PERMISSION		CURRENT REV DESC: SEE REVISION TABLE	
	DIMENSION UNITS	SCALE		
$\nabla_A = 0$	mm	3:2		
DIVISIONAL SYMBOLS	GENERAL TOLERANCES (UNLESS SPECIFIED)			
	ANGULAR TOL $\pm 0.5^\circ$			
	4 PLACES	\pm	PHASE: Design Production	
	3 PLACES	\pm	CO NO: CO-00000304	
	2 PLACES	\pm	DRWN: Kevin Kang 2022-04-28	
	1 PLACE	\pm	CHK'D: Anil Kumar M S 2022-06-28	
	0 PLACES	\pm	APPR: Brad Dick 2022-07-12	
DRAFT WHERE APPLICABLE MUST REMAIN WITHIN DIMENSIONS		THIRD ANGLE PROJECTION	DRAWING	SERIES
			D-SIZE	34566
		MATERIAL NUMBER		CUSTOMER
		SD-34566-001		GENERAL MARKET
		DOC TYPE	DOC PART	REVISION
		PSD	000	G65
		SHEET NUMBER		
		3 OF 11		

molex

MX123
66/73/80CKT HRNS CONN ASSY

PRODUCT SALES DRAWING

DOCUMENT NUMBER DOC TYPE DOC PART REVISION

SD-34566-001 PSD 000 G65

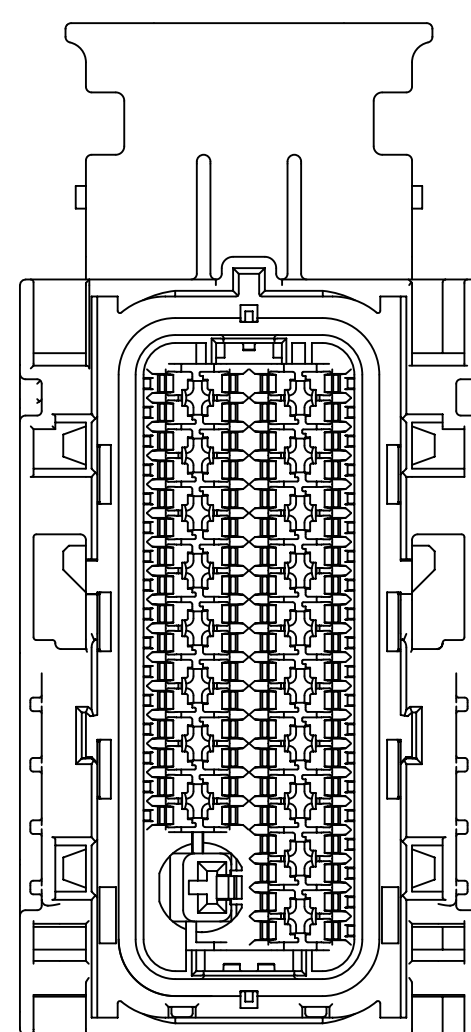
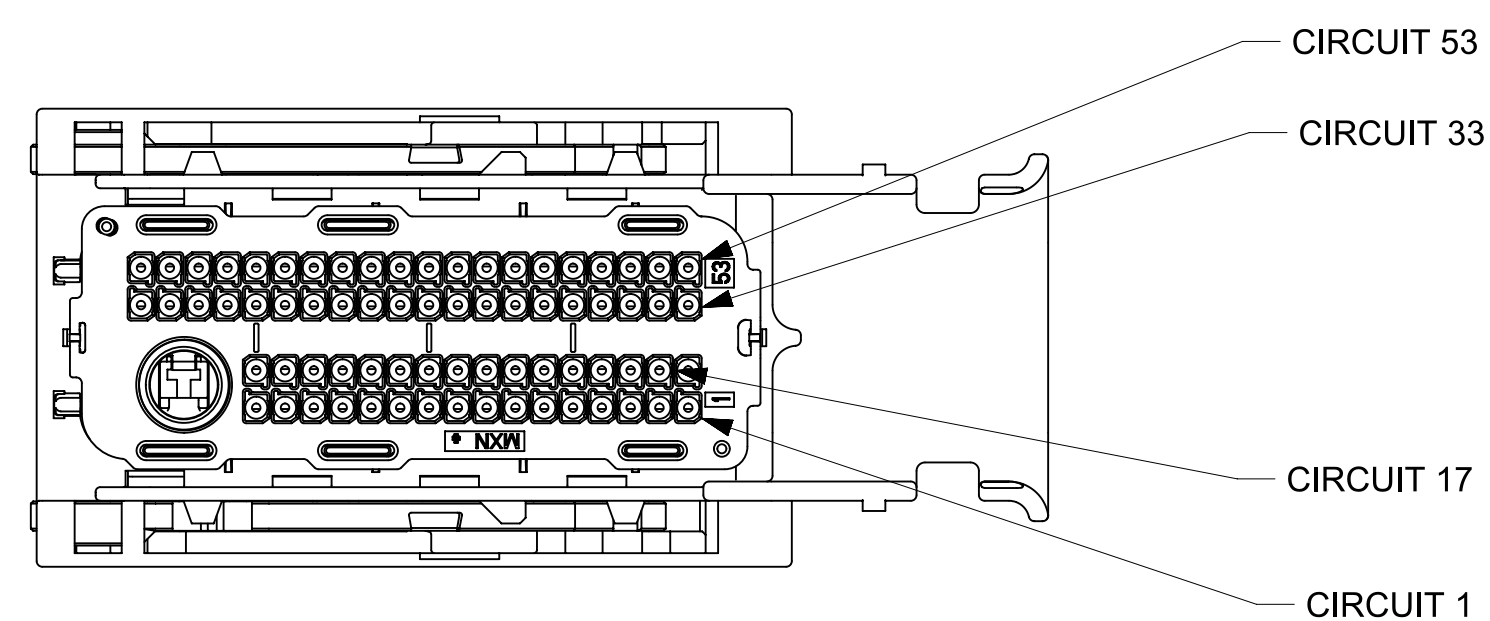
MATERIAL NUMBER CUSTOMER SHEET NUMBER

GENERAL MARKET 3 OF 11

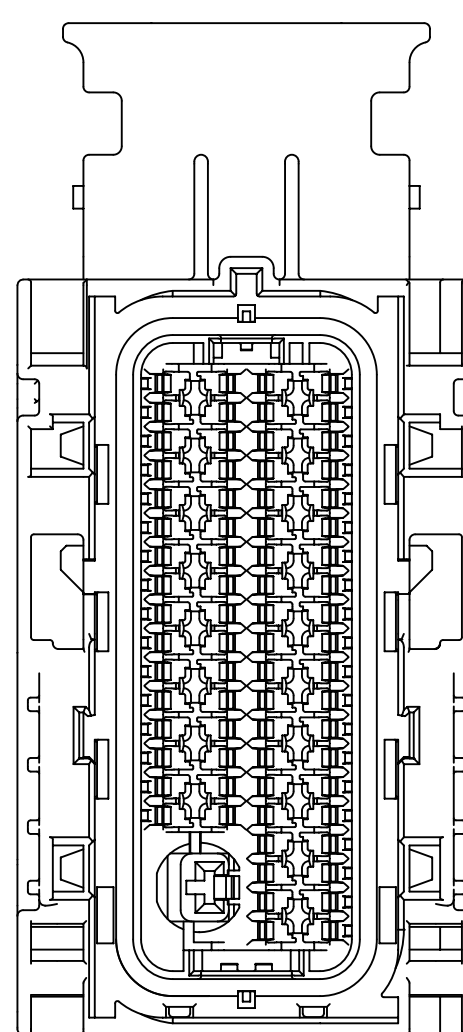
73 CKT

WIRE DRESS OPTION 0

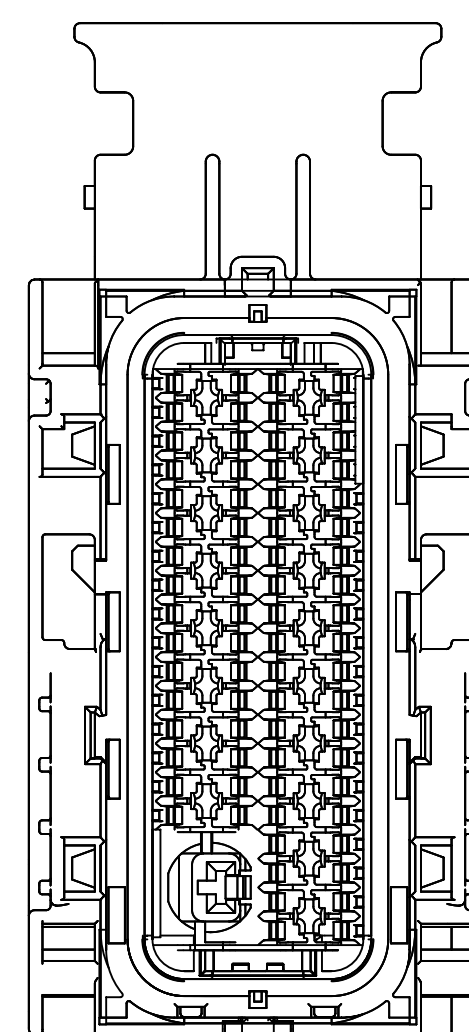
HOUSING ONLY, SHOWN FOR CLARITY



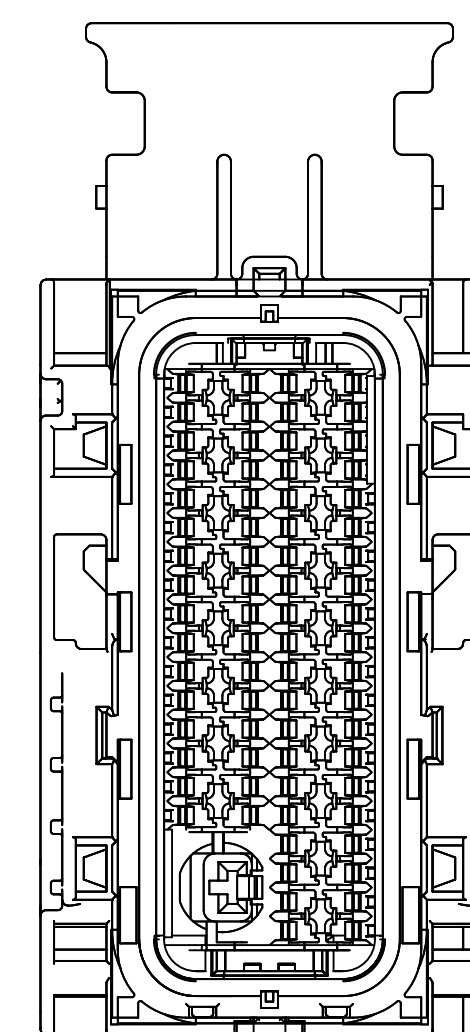
KEY A



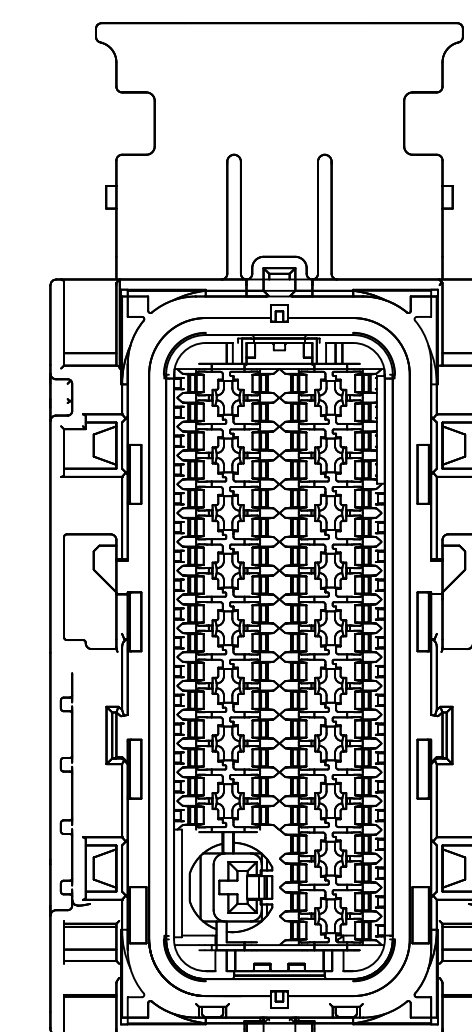
KEY B



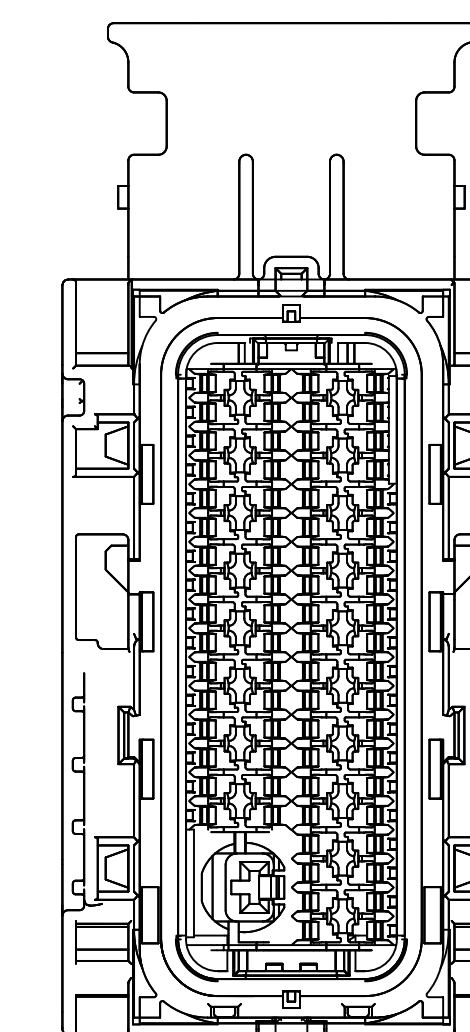
KEY C



KEY D

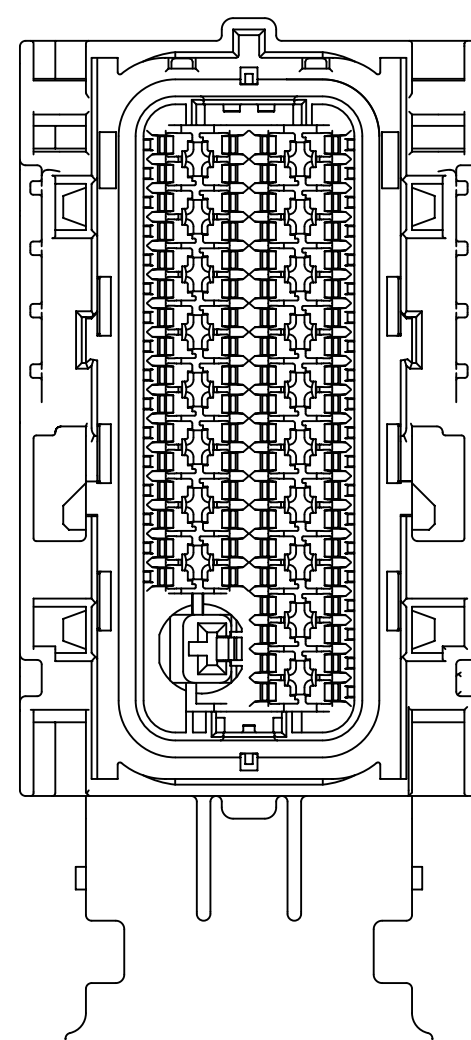
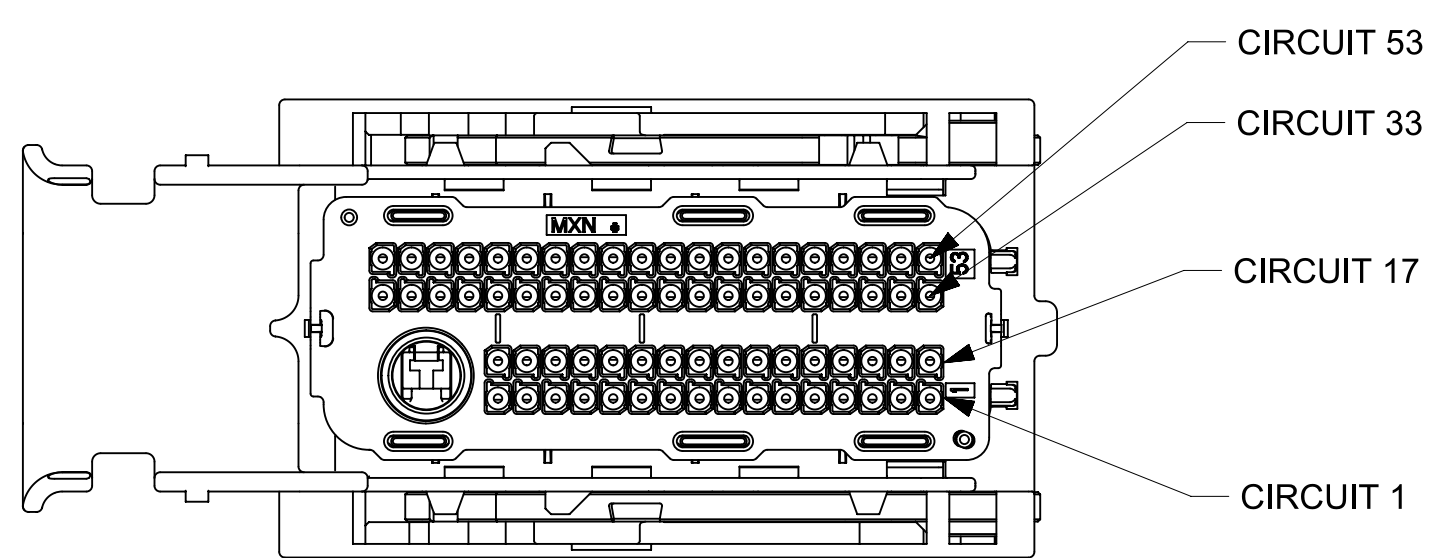


KEY E

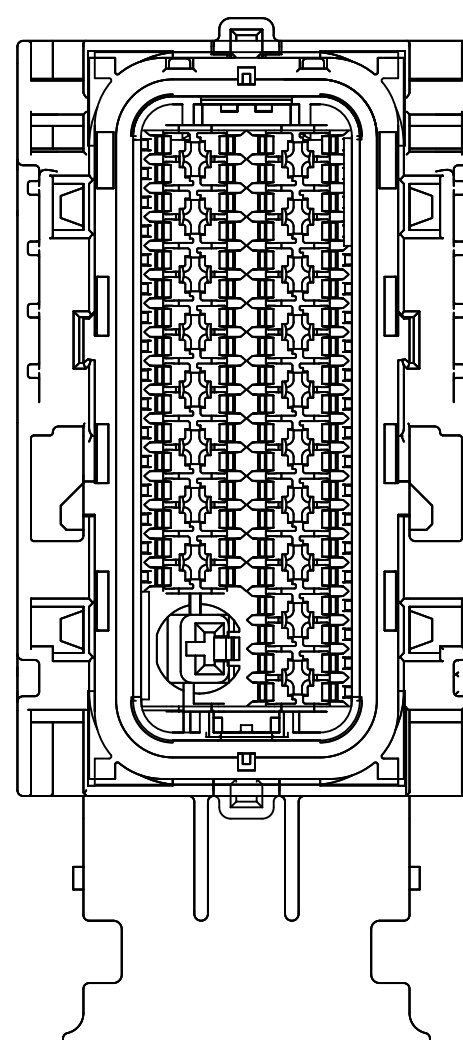


KEY F

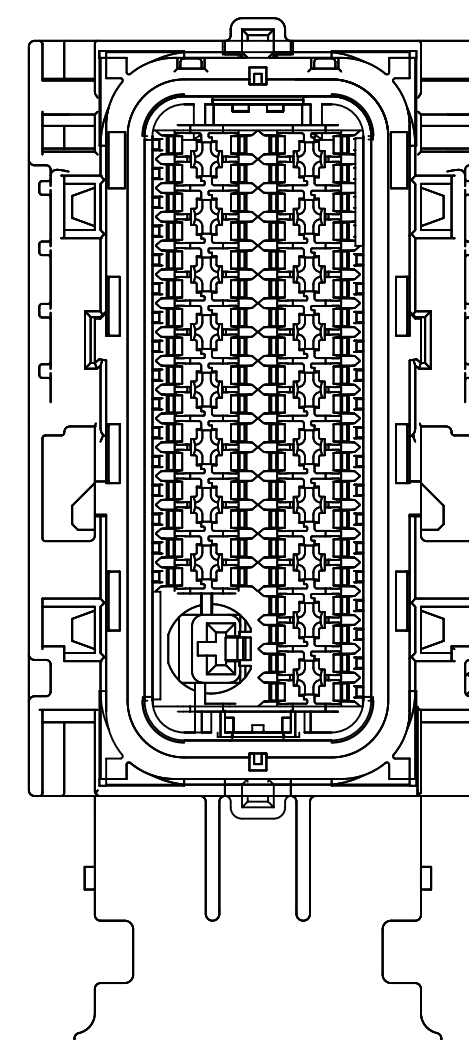
WIRE DRESS OPTION 9



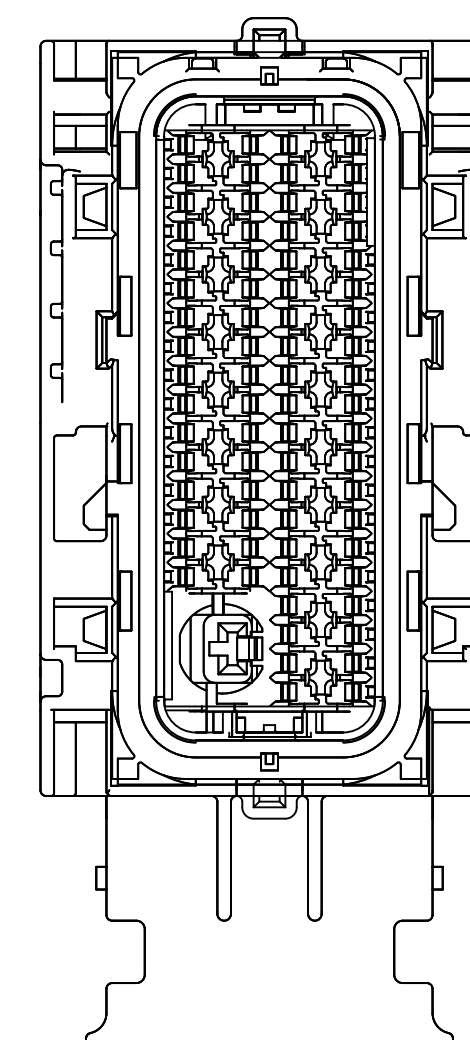
KEY A



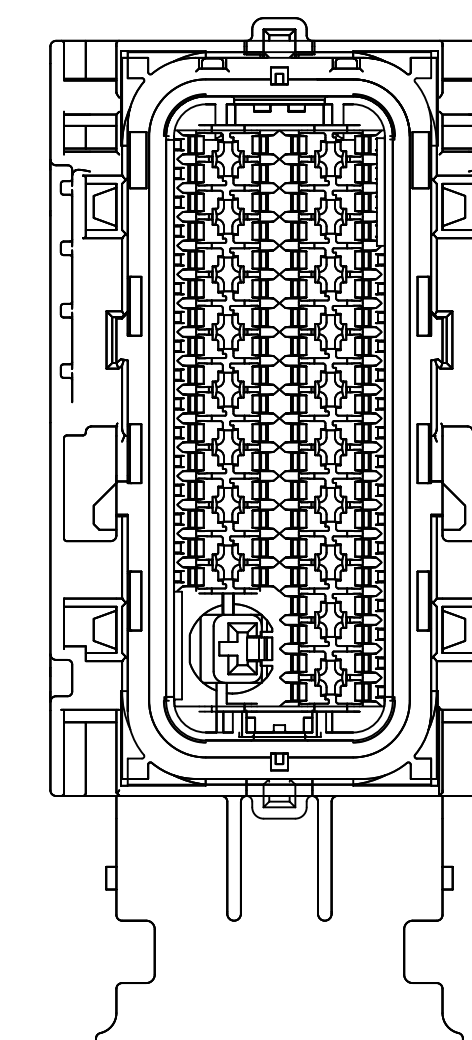
KEY B



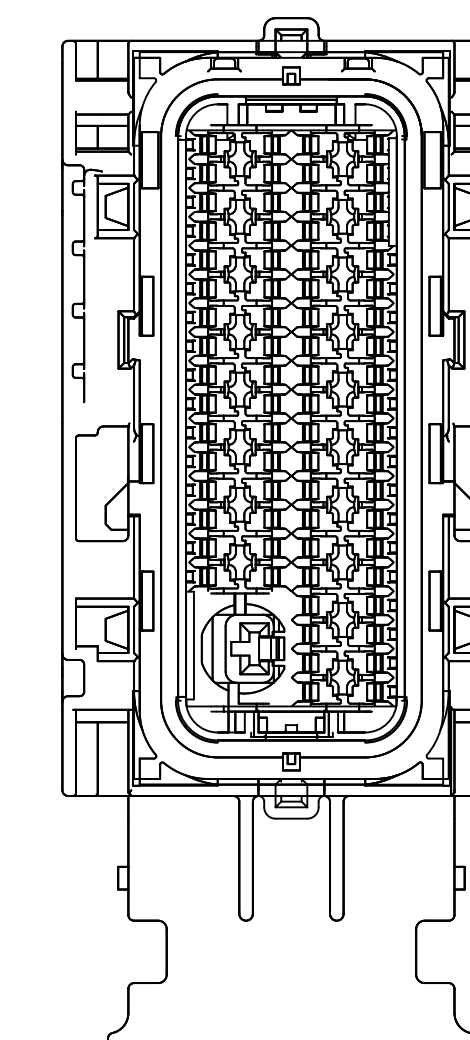
KEY C



KEY D



KEY E



KEY F

FUNCTIONAL SYMBOLS $\nabla_A = 0$ $\nabla_C = 0$ $\nabla_D = 0$	THIS DRAWING CONTAINS INFORMATION THAT IS PROPRIETARY TO MOLEX ELECTRONIC TECHNOLOGIES, LLC AND SHOULD NOT BE USED WITHOUT WRITTEN PERMISSION		CURRENT REV DESC: SEE REVISION TABLE	
	DIMENSION UNITS mm	SCALE 3:2		
DIVISIONAL SYMBOLS 4 PLACES 3 PLACES 2 PLACES 1 PLACE 0 PLACES	GENERAL TOLERANCES (UNLESS SPECIFIED)		PHASE: Design Production CO NO: CO-00000304 DRWN: Kevin Kang CHK'D: Anil Kumar M S APPR: Brad Dick	
	ANGULAR TOL $\pm 0.5^\circ$		2022-04-28 2022-06-28 2022-07-12	
	4 PLACES \pm			
	3 PLACES \pm			
	2 PLACES \pm			
1 PLACE \pm				
0 PLACES \pm				
DRAFT WHERE APPLICABLE MUST REMAIN WITHIN DIMENSIONS		THIRD ANGLE PROJECTION 	DRAWING D-SIZE	SERIES 34566
		MATERIAL NUMBER SD-34566-001	CUSTOMER GENERAL MARKET	SHEET NUMBER 4 OF 11

molex

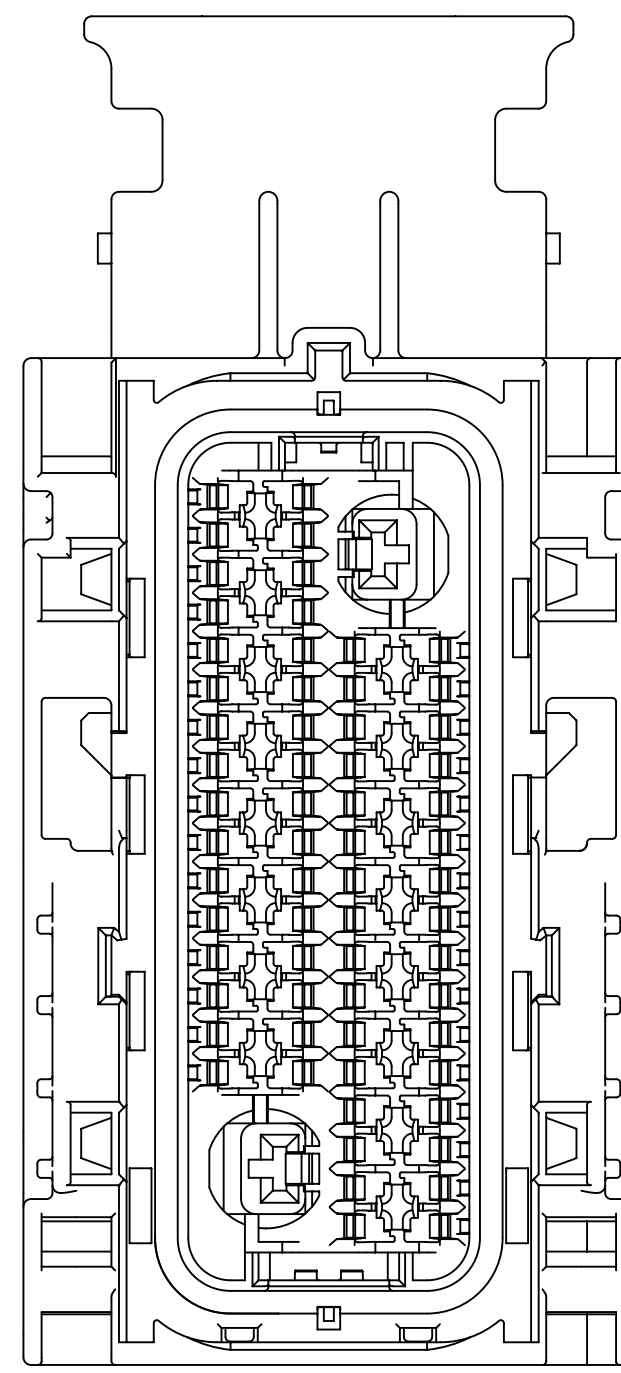
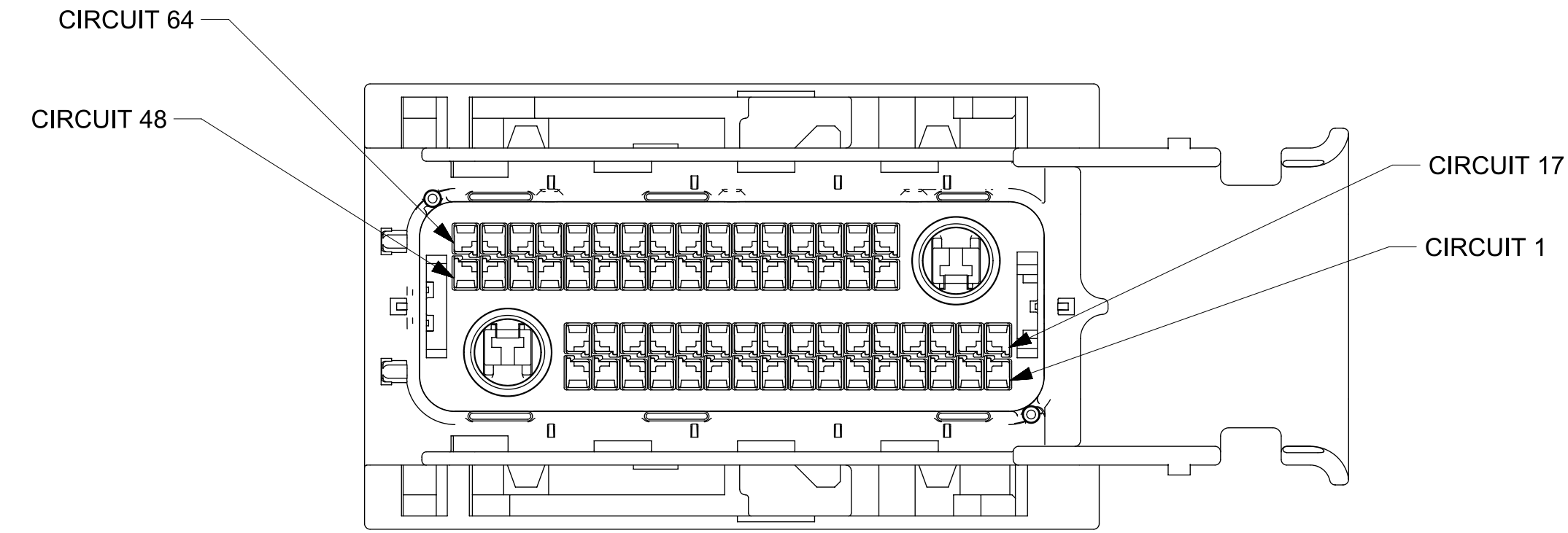
MX123
66/73/80CKT HRNS CONN ASSY

PRODUCT SALES DRAWING

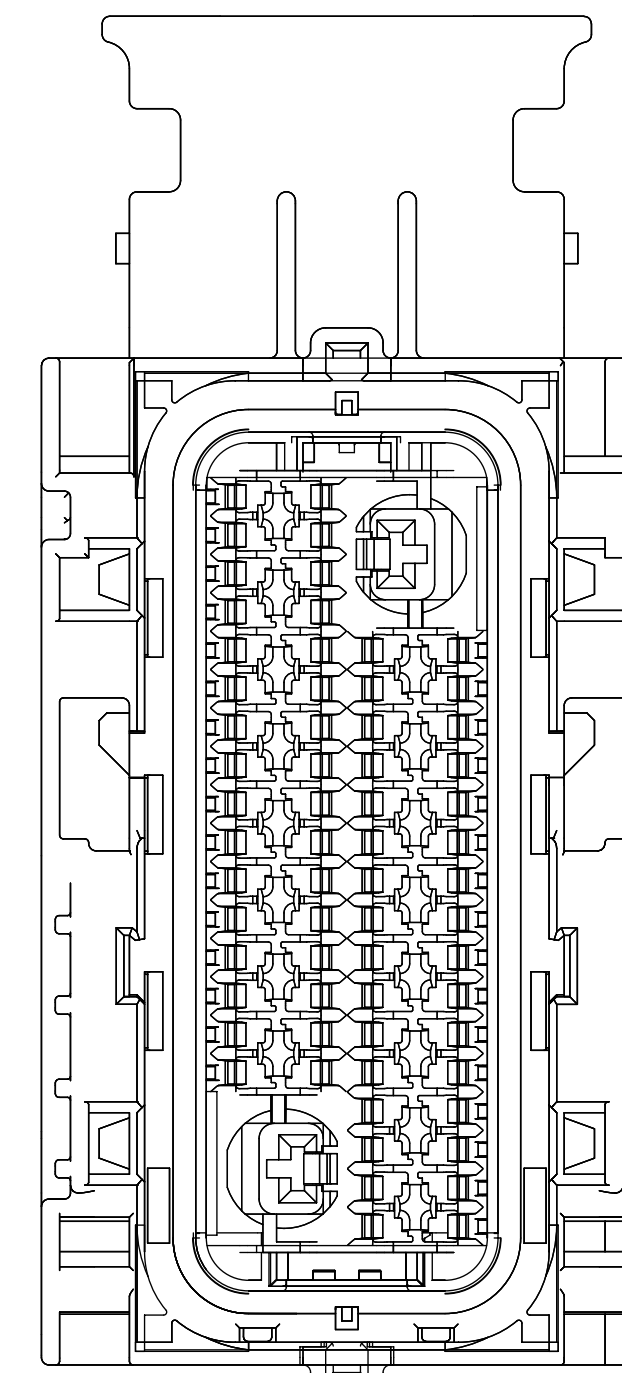
DOCUMENT NUMBER: **SD-34566-001** | DOC TYPE: **PSD** | DOC PART: **000** | REVISION: **G65**

HOUSING ONLY, SHOWN FOR CLARITY

66 CKT
WIRE DRESS OPTION 0

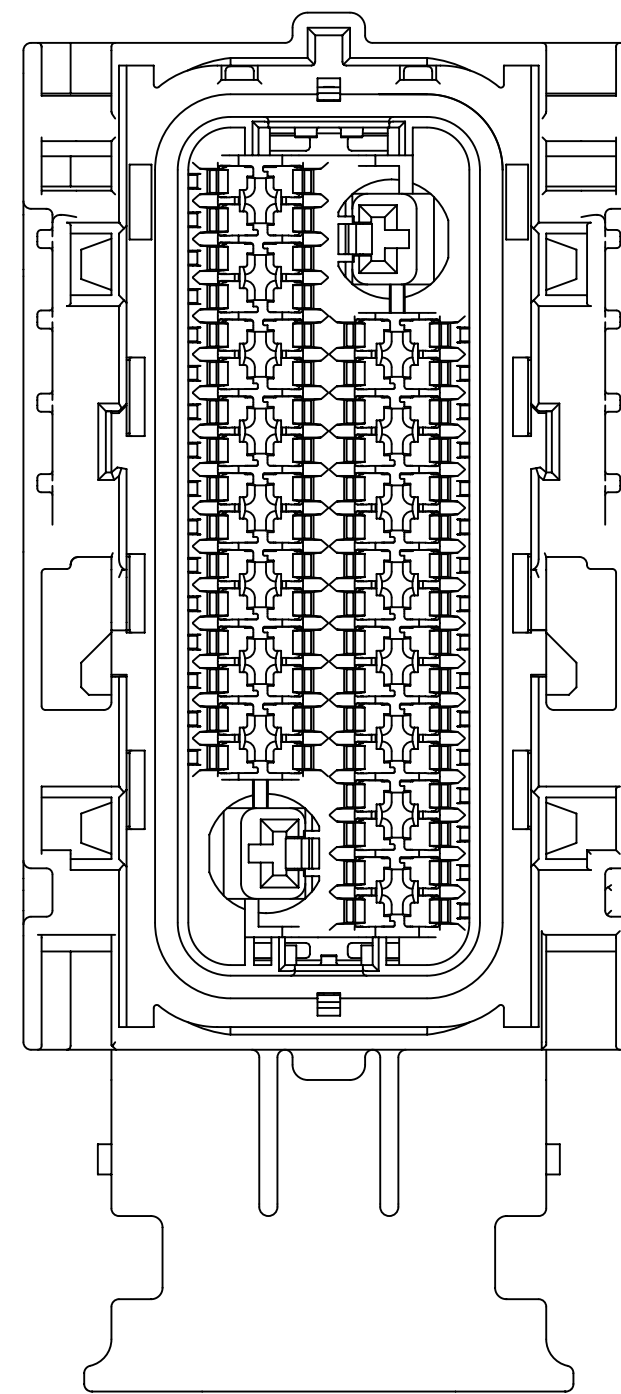
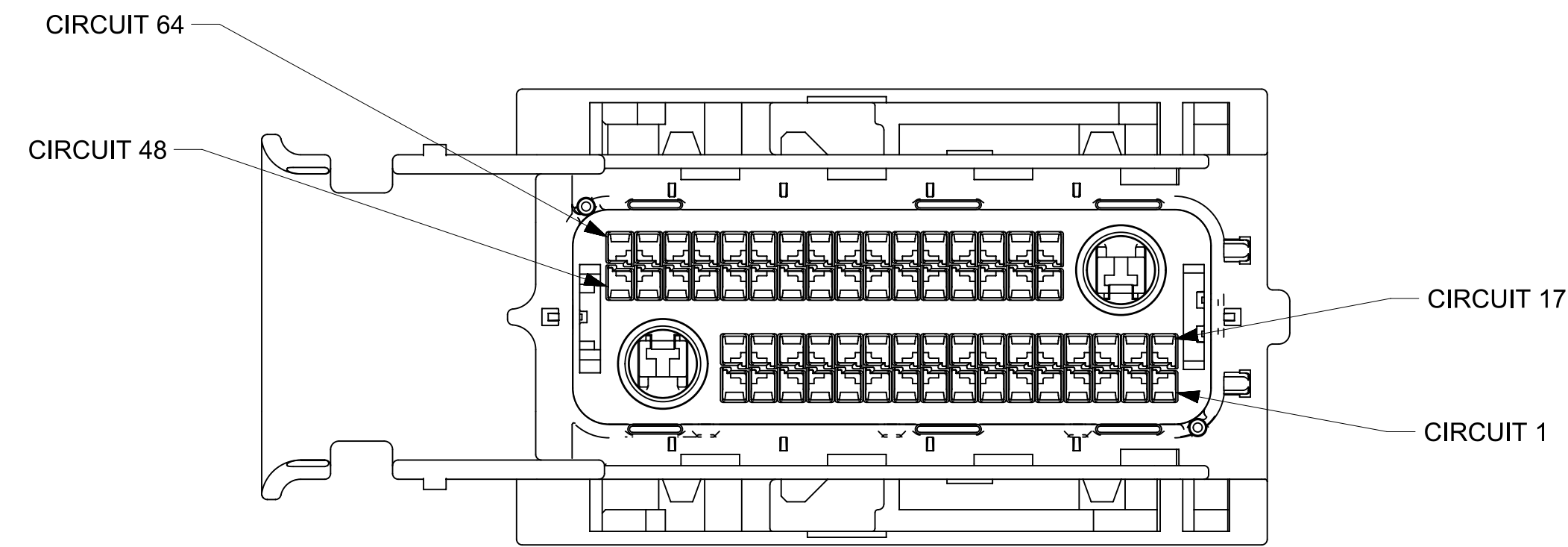


KEY A

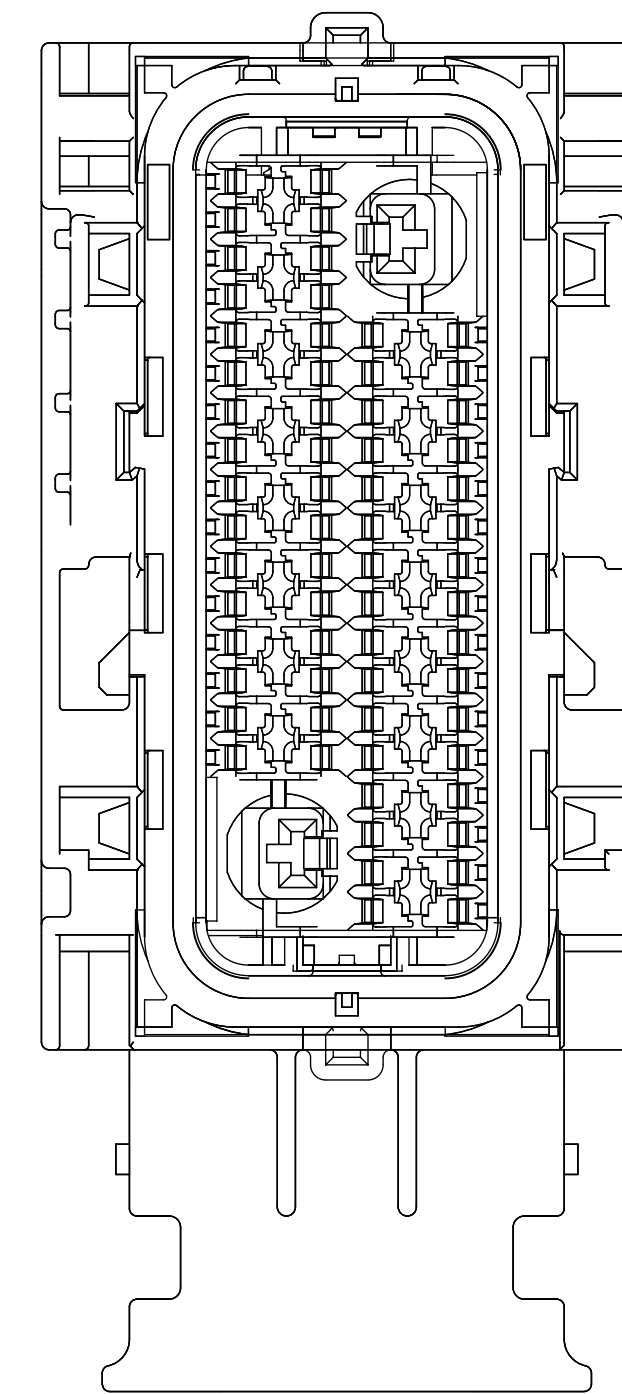


KEY C

WIRE DRESS OPTION 9



KEY A

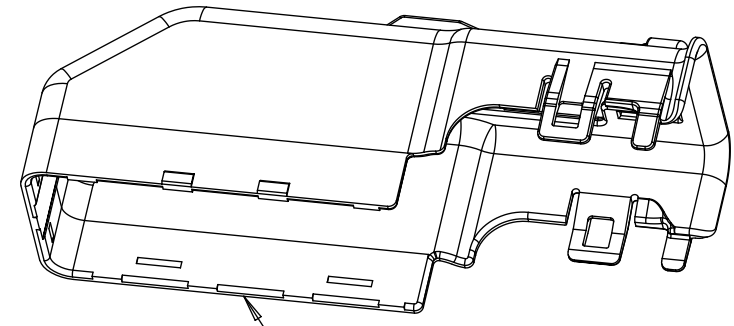


KEY C

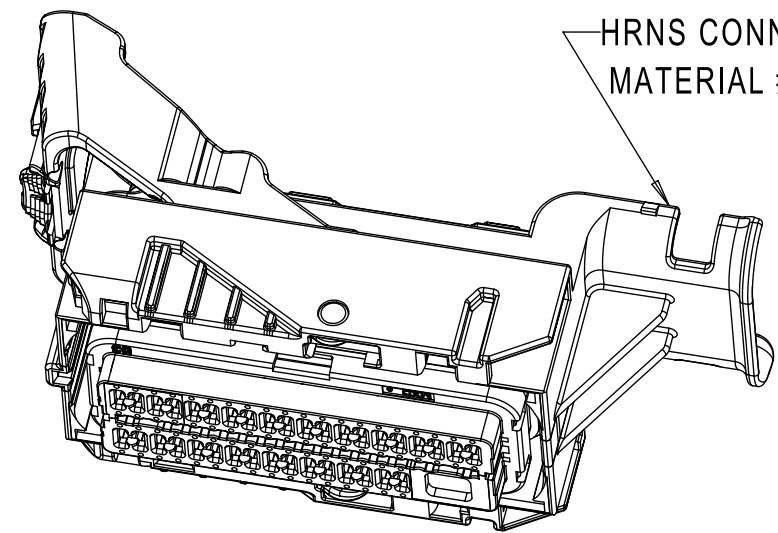
FUNCTIONAL SYMBOLS $\nabla_A = 0$ $\nabla_C = 0$ $\nabla_P = 0$	THIS DRAWING CONTAINS INFORMATION THAT IS PROPRIETARY TO MOLEX ELECTRONIC TECHNOLOGIES, LLC AND SHOULD NOT BE USED WITHOUT WRITTEN PERMISSION		CURRENT REV DESC: SEE REVISION TABLE				
	DIMENSION UNITS mm	SCALE 2:1	molex MX123 66/73/80CKT HRNS CONN ASSY PRODUCT SALES DRAWING				
GENERAL TOLERANCES (UNLESS SPECIFIED)							
ANGULAR TOL $\pm 0.5^\circ$							
4 PLACES \pm	PHASE: Design Production CO NO: CO-00000304 DRWN: Kevin Kang 2022-04-28 CHK'D: Anil Kumar M S 2022-06-28 APPR: Brad Dick 2022-07-12						
3 PLACES \pm	INITIAL REVISION: DRWN: RFC_PLMIMP APPR:						
2 PLACES \pm	DRAFT WHERE APPLICABLE MUST REMAIN WITHIN DIMENSIONS	THIRD ANGLE PROJECTION 	DRAWING D-SIZE	SERIES 34566	MATERIAL NUMBER SD-34566-001	CUSTOMER GENERAL MARKET	SHEET NUMBER 5 OF 11
1 PLACE \pm	DOCUMENT NUMBER SD-34566-001		DOC TYPE PSD	DOC PART 000	REVISION G65		
0 PLACES \pm							

AWG WIRE HRNS ASSY TABLE- TYPE 1

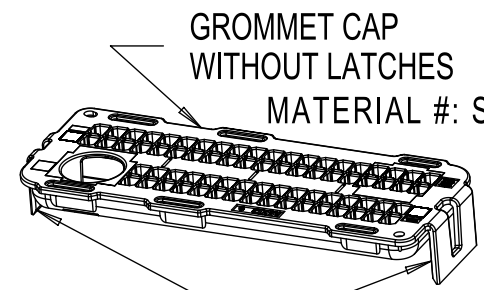
HRNS ASSY COMPONENT LIST



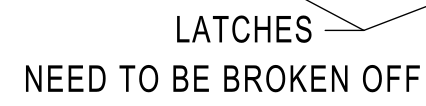
DRESS COVER
MATERIAL #: SEE HRNS ASSY TABLE



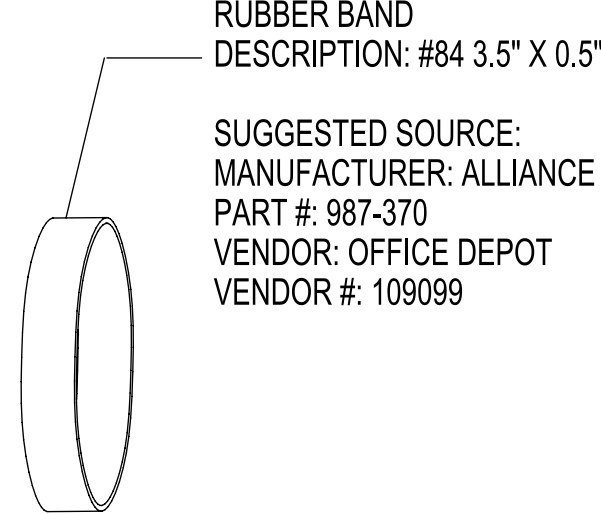
HRNS CONN. ASSY
MATERIAL #: SEE HRNS ASSY TABLE



GROMMET CAP WITHOUT LATCHES
MATERIAL #: SEE HRNS ASSY TABLE

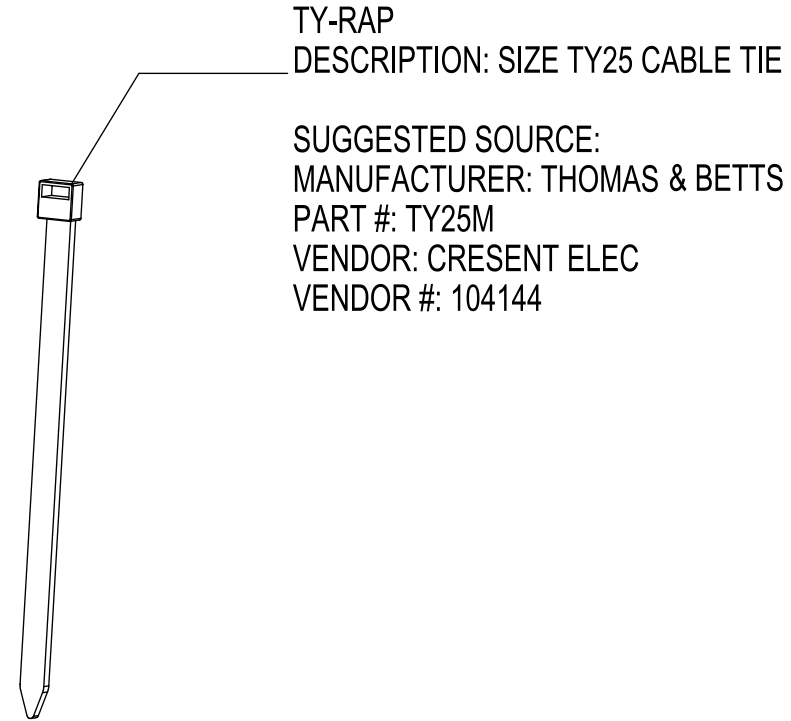


LATCHES
NEED TO BE BROKEN OFF



RUBBER BAND
DESCRIPTION: #84 3.5" X 0.5"

SUGGESTED SOURCE:
MANUFACTURER: ALLIANCE
PART #: 987-370
VENDOR: OFFICE DEPOT
VENDOR #: 109099



TY-RAP
DESCRIPTION: SIZE TY25 CABLE TIE

SUGGESTED SOURCE:
MANUFACTURER: THOMAS & BETTS
PART #: TY25M
VENDOR: CRESENT ELEC
VENDOR #: 104144

PRODUCTION PART # FOR HARNESS ASSEMBLY (WITH WIRES) : XXXXX-KKWP

XXXXX- SERIES NUMBER			
SERIES #	CKT SIZE	WIRE TYPE	WIRE DRESS
34070	73/80/66	TXL	PGTL
34330	73/80/66	TXL	LPD
34333	73/80/66	PTFE	PGTL

KK- HARNESS CONNECTOR KEY	
#	73/80 KEY
99	A
98	B
97	C
96	D
95	E
94	F
93	G
92	H
91	J
90	K
89	L
88	M
#	66 KEY
87	A
86	B
85	C

W- MX64 CRIMPED LEAD WIRE LENGTH (m)

P- MX64 RECPT. TERMINAL PLATING
3 - Au
4 - Ag

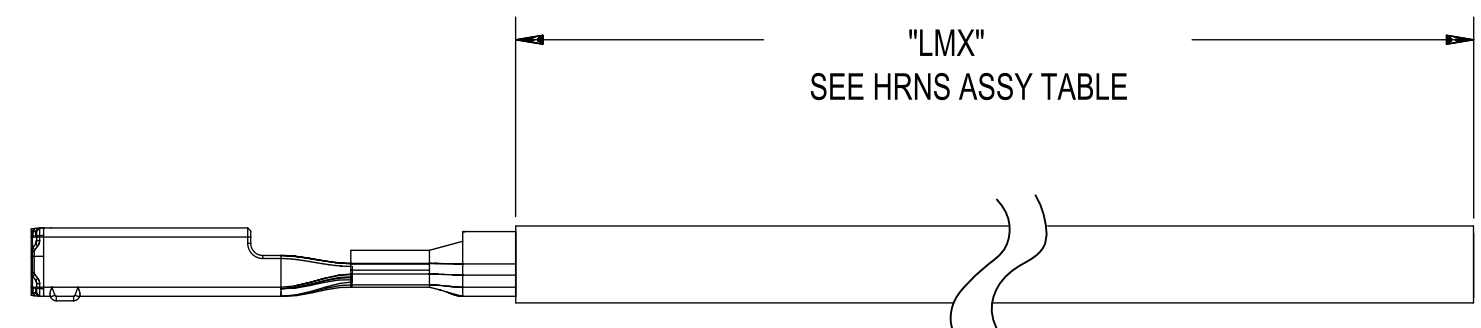
NOTES: UNLESS OTHERWISE SPECIFIED APPLIES TO "HRNS ASSY" ONLY
1. REFER TO: PACKAGING DRAWING # PK-31300-078
2. FOR HRNS ASSY WITH WIRE ASSY SEE NEXT PAGE

TESTED	HRNS ASSY					HRNS CONN ASSY MATERIAL #	DRESS COVER MATERIAL #	GROMMET CAP MATERIAL #	MX64 WIRE ASSY PER E-33468-001							2.8mm YESC SEALED FEMALE TERMINAL TIN					TY-RAP QTY	RUBBER BAND QTY	
	MATERIAL #	CIRCUIT ID	KEY OPTION	WIRE DRESS OPTION	STATUS				MATERIAL #	MATERIAL #	MATERIAL #	RCPT PLATING	SAE WIRE SIZE #	WIRE TYPE	PIGTAIL OR LOOPED	"LMX" IN METERS 10%	QTY	MATERIAL #	SAE WIRE SIZE #	WIRE TYPE			PIGTAIL OR LOOPED
NO	34070-9234	80	H	0	OBSOLETE	34566-0803	34565-0003	34571-0301	334670203	Ag	18	TXL	PGTL	3	80	N/A	N/A	N/A	N/A	N/A	6	0	
NO	34070-9934	73	A	0	OBSOLETE	34566-0103	34565-0003	34571-0101	334670203	Ag	18	TXL	PGTL	3	72	343670005	14	TXL	PGTL	3	1	6	0
NO	34070-9834	73	B	0	OBSOLETE	34566-0203	34565-0003	34571-0101	334670203	Ag	18	TXL	PGTL	3	72	343670005	14	TXL	PGTL	3	1	6	0
(H30) NO	34330-9214	80	H	0	OBSOLETE	34566-0803	34565-0003	N/A	334670204	Ag	18	TXL	LPD	1	40	N/A	N/A	N/A	N/A	N/A	3	1	
(H30) NO	34330-9914	73	A	0	OBSOLETE	34566-0103	34565-0003	N/A	334670204	Ag	18	TXL	LPD	1	36	343670005	14	TXL	LPD	3	1	3	1
(H30) NO	34330-9814	73	B	0	OBSOLETE	34566-0203	34565-0003	N/A	334670204	Ag	18	TXL	LPD	1	36	343670005	14	TXL	LPD	3	1	3	1
NO	34333-9214	80	H	0	OBSOLETE	34566-0803	34565-0003	34571-0301	334670205	Ag	18	PTFE	PGTL	1	40	N/A	N/A	N/A	N/A	N/A	3	0	
NO	34333-9914	73	A	0	OBSOLETE	34566-0103	34565-0003	34571-0101	334670205	Ag	18	PTFE	PGTL	1	72	N/A	14	PTFE	PGTL	1	1	3	0
NO	34333-9814	73	B	0	OBSOLETE	34566-0203	34565-0003	34571-0101	334670205	Ag	18	PTFE	PGTL	1	72	N/A	14	PTFE	PGTL	1	1	3	0
NO	34333-9234	80	H	0	OBSOLETE	34566-0803	34565-0003	34570-0301	334670206	Ag	18	PTFE	PGTL	3	80	N/A	N/A	N/A	N/A	N/A	6	0	
NO	34333-9934	73	A	0	OBSOLETE	34566-0103	34565-0003	34571-0101	334670206	Ag	18	PTFE	PGTL	3	72	343670006	14	PTFE	PGTL	3	1	6	0
NO	34333-9834	73	B	0	OBSOLETE	34566-0203	34565-0003	34571-0101	334670206	Ag	18	PTFE	PGTL	3	72	343670006	14	PTFE	PGTL	3	1	6	0
NO	34070-8734	66	A	0	OBSOLETE	34822-0013	34565-0003	34822-5011	334670203	Ag	18	TXL	PGTL	3	64	343670005	14	TXL	PGTL	3	2	3	0
NO	34070-8754	66	A	0	OBSOLETE	34822-0013	34565-0003	34822-5011	334670203	Ag	18	TXL	PGTL	5	64	343670007	14	TXL	PGTL	5	2	10	0
NO	34070-9434	73	F	0	OBSOLETE	34070-0603	34565-0003	34571-0101	334670203	Ag	18	TXL	PGTL	3	72	343670005	14	TXL	PGTL	3	1	6	0
NO	34070-9434	73	F	9	OBSOLETE	34070-1803	34565-0003	34571-0501	334670203	Ag	18	TXL	PGTL	3	72	343670005	14	TXL	PGTL	3	1	6	0
NO	34070-8534	66	C	0	OBSOLETE	34822-0033	34565-0003	34571-5011	334670203	Ag	18	TXL	PGTL	3	64	343670005	14	TXL	PGTL	3	2	3	0
NO	34070-8704	66	A	0	OBSOLETE	34822-0013	34822-0033	34822-5031	N/A	N/A	N/A	N/A	N/A	N/A	343670005	14	TXL	PGTL	3	2	N/A	N/A	
NO	34070-8504	66	C	0	OBSOLETE	34822-0033	34822-0033	34822-5031	N/A	N/A	N/A	N/A	N/A	N/A	343670005	14	TXL	PGTL	3	2	N/A	N/A	
NO	34330-8734	66	A	0	OBSOLETE	34822-0013 (QTY2)	34565-0003	N/A	334670208	Ag	18	TXL	LPD	3	64	343670008	14	TXL	LPD	3	2	3	N/A

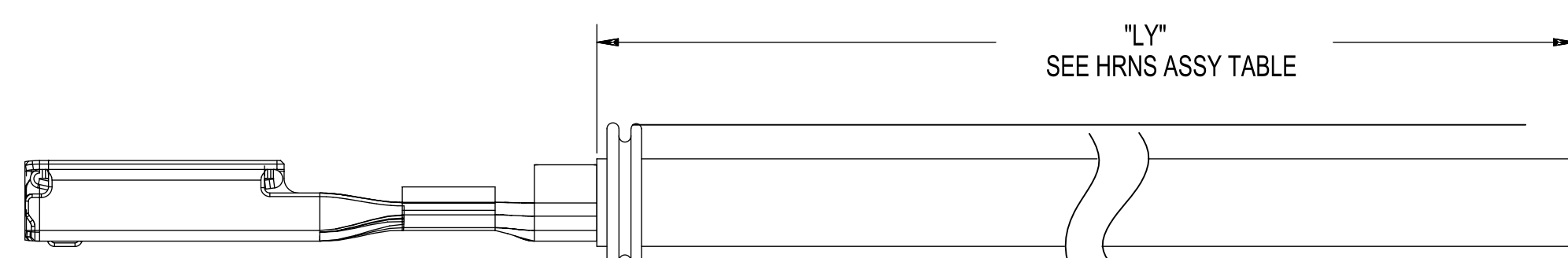
HRNS ASSY



MX64 WIRE ASSY LOOPED
MATERIAL #: SEE HRNS ASSY TABLE



MX64 WIRE ASSY PIGTAIL
MATERIAL #: SEE HRNS ASSY TABLE



2.8mm YESC SEALED FEMALE PIGTAIL ASSY
MATERIAL #: SEE HRNS ASSY TABLE

FUNCTIONAL SYMBOLS FA = 0 FE = 0 FP = 0	THIS DRAWING CONTAINS INFORMATION THAT IS PROPRIETARY TO MOLEX ELECTRONIC TECHNOLOGIES, LLC AND SHOULD NOT BE USED WITHOUT WRITTEN PERMISSION	DIMENSION UNITS: mm	SCALE: 1:5	CURRENT REV DESC: SEE REVISION TABLE	
	GENERAL TOLERANCES (UNLESS SPECIFIED)	ANGULAR TOL ± 0.5°		PHASE: Design Production	
DIVISIONAL SYMBOLS	4 PLACES ±	3 PLACES ±		CO NO: CO-00000304	
	2 PLACES ±	1 PLACE ±		DRWN: Kevin Kang 2022-04-28	
0 PLACES ±		DRAFT WHERE APPLICABLE MUST REMAIN WITHIN DIMENSIONS		CHK'D: Anil Kumar M S 2022-06-28	
THIRD ANGLE PROJECTION		DRAWING: D-SIZE		SERIES: 34566	
MATERIAL NUMBER		CUSTOMER		SHEET NUMBER	
SD-34566-001		GENERAL MARKET		6 OF 11	

molex

MX123
66/73/80CKT HRNS CONN ASSY

PRODUCT SALES DRAWING

DOCUMENT NUMBER: SD-34566-001 DOC TYPE: PSD DOC PART: 000 REVISION: G65

AWG WIRE HRNS ASSY TABLE- TYPE 1

TESTED	HRNS ASSY					HRNS CONN ASSY	DRESS COVER	GROMMET CAP	MX64 WIRE ASSY PER E-33468-001							2.8mm YESC SEALED FEMALE TERMINAL TIN						TY-RAP	RUBBER BAND
	MATERIAL #	CIRCUIT ID	KEY OPTION	WIRE DRESS OPTION	STATUS	MATERIAL #	MATERIAL #	MATERIAL #	MATERIAL #	RCPT PLATING	SAE WIRE SIZE #	WIRE TYPE	PIGTAIL OR LOOPED	"LMX" IN METERS 10%	QTY	MATERIAL #	SAE WIRE SIZE #	WIRE TYPE	PIGTAIL OR LOOPED	"LMX" IN METERS 10%	QTY	QTY	QTY
NO	34070-9933	73	A	0	OBSOLETE	34566-0103	34565-0003	34571-0101	334670103	Au	18	TXL	PGTL	3	72	343670005	14	TXL	PGTL	3	1	6	0
NO	34070-9833	73	B	0	OBSOLETE	34566-0203	34565-0003	34571-0101	334670103	Au	18	TXL	PGTL	3	72	343670005	14	TXL	PGTL	3	1	6	0
NO	34070-9913	73	A	0	OBSOLETE	34566-0103	34565-0003	34571-0101	334670102	Au	18	TXL	PGTL	1	72	343670005	14	TXL	PGTL	3	1	3	0
NO	34070-9813	73	B	0	OBSOLETE	34566-0203	34565-0003	34571-0101	334670102	Au	18	TXL	PGTL	1	72	343670005	14	TXL	PGTL	3	1	3	0
NO	34333-9913	73	A	0	OBSOLETE	34566-0103	34565-0003	34571-0101	334670105	Au	18	PTFE	PGTL	1	72	N/A	14	PTFE	PGTL	1	1	3	0
NO	34333-9813	73	B	0	OBSOLETE	34566-0203	34565-0003	34571-0101	334670105	Au	18	PTFE	PGTL	1	72	N/A	14	PTFE	PGTL	1	1	3	0
NO	34333-9933	73	A	0	OBSOLETE	34566-0103	34565-0003	34571-0101	334670106	Au	18	PTFE	PGTL	3	72	343670006	14	PTFE	PGTL	3	1	6	0
NO	34333-9833	73	B	0	OBSOLETE	34566-0203	34565-0003	34571-0101	334670106	Au	18	PTFE	PGTL	3	72	343670006	14	PTFE	PGTL	3	1	6	0
NO	34070-9233	80	H	0	OBSOLETE	34566-0803	34565-0003	34571-0301	334670103	Au	18	TXL	PGTL	3	80	N/A	N/A	N/A	N/A	N/A	N/A	6	0
NO	34070-9213	80	H	0	OBSOLETE	34566-0803	34565-0003	34571-0301	334670102	Au	18	TXL	PGTL	1	80	N/A	N/A	N/A	N/A	N/A	N/A	3	0
NO	34333-9213	80	H	0	OBSOLETE	34566-0803	34565-0003	34571-0301	334670105	Au	18	PTFE	PGTL	1	80	N/A	N/A	N/A	N/A	N/A	N/A	3	0
NO	34333-9233	80	H	0	OBSOLETE	34566-0803	34565-0003	34571-0301	334670106	Au	18	PTFE	PGTL	3	80	N/A	N/A	N/A	N/A	N/A	N/A	6	0
YES	34330-9913	73	A	0	OBSOLETE	34566-0103	34565-0003	N/A	334670104	Au	18	TXL	LPD	1	36	343670005	14	TXL	LPD	3	1	3	1
YES	34330-9813	73	B	0	OBSOLETE	34566-0203	34565-0003	N/A	334670104	Au	18	TXL	LPD	1	36	343670005	14	TXL	LPD	3	1	3	1
YES	34330-9213	80	H	0	OBSOLETE	34566-0803	34565-0003	34571-0301	334670104	Au	18	TXL	LPD	1	40	N/A	N/A	N/A	N/A	N/A	N/A	3	1
NO	34070-9733	73	C	0	OBSOLETE	34566-0303	34565-0003	34571-0101	334670103	Au	18	TXL	PGTL	3	72	343670005	14	TXL	PGTL	3	1	6	0
NO	34070-9713	73	C	0	OBSOLETE	34566-0303	34565-0003	34571-0101	334670102	Au	18	TXL	PGTL	1	72	343670005	14	TXL	PGTL	3	1	3	0
NO	34330-9713	73	C	0	OBSOLETE	34566-0303	34565-0003	34571-0101	334670104	Au	18	TXL	LPD	1	36	343670005	14	TXL	LPD	3	1	3	1
NO	34333-9713	73	C	0	OBSOLETE	34566-0303	34565-0003	34571-0101	334670105	Au	18	PTFE	PGTL	1	72	N/A	14	PTFE	PGTL	1	1	3	0
NO	34333-9733	73	C	0	OBSOLETE	34566-0303	34565-0003	34571-0101	334670106	Au	18	PTFE	PGTL	3	72	343670006	14	PTFE	PGTL	3	1	6	0
NO	34070-9333	80	G	0	OBSOLETE	34566-0703	34565-0003	34571-0301	334670103	Au	18	TXL	PGTL	3	80	N/A	N/A	N/A	N/A	N/A	N/A	6	0
NO	34070-9313	80	G	0	OBSOLETE	34566-0703	34565-0003	34571-0301	334670102	Au	18	TXL	PGTL	1	80	N/A	N/A	N/A	N/A	N/A	N/A	3	0
NO	34330-9313	80	G	0	OBSOLETE	34566-0703	34565-0003	34571-0301	334670104	Au	18	TXL	LPD	1	40	N/A	N/A	N/A	N/A	N/A	N/A	3	1
NO	34333-9313	80	G	0	OBSOLETE	34566-0703	34565-0003	34571-0301	334670105	Au	18	PTFE	PGTL	1	80	N/A	N/A	N/A	N/A	N/A	N/A	3	0
NO	34333-9333	80	G	0	OBSOLETE	34566-0703	34565-0003	34571-0301	334670106	Au	18	PTFE	PGTL	3	80	N/A	N/A	N/A	N/A	N/A	N/A	6	0
NO	34070-9934	73	A	0	OBSOLETE	34566-0103	34565-0003	34571-0101	334670203	Ag	18	TXL	PGTL	3	72	343670005	14	TXL	PGTL	3	1	6	0
NO	34070-9834	73	B	0	OBSOLETE	34566-0203	34565-0003	34571-0101	334670203	Ag	18	TXL	PGTL	3	72	343670005	14	TXL	PGTL	3	1	6	0
NO	34070-9914	73	A	0	OBSOLETE	34566-0103	34565-0003	34571-0101	334670202	Ag	18	TXL	PGTL	1	72	343670005	14	TXL	PGTL	3	1	3	0
NO	34070-9814	73	B	0	OBSOLETE	34566-0203	34565-0003	34571-0101	334670202	Ag	18	TXL	PGTL	1	72	343670005	14	TXL	PGTL	3	1	3	0
NO	34070-9234	80	H	0	OBSOLETE	34566-0803	34565-0003	34571-0301	334670203	Ag	18	TXL	PGTL	3	80	N/A	N/A	N/A	N/A	N/A	N/A	6	0
NO	34070-9214	80	H	0	OBSOLETE	34566-0803	34565-0003	34571-0301	334670202	Ag	18	TXL	PGTL	1	80	N/A	N/A	N/A	N/A	N/A	N/A	3	0
YES	34330-9914	73	A	0	OBSOLETE	34566-0103	34565-0003	N/A	334670204	Ag	18	TXL	LPD	1	36	343670005	14	TXL	LPD	3	1	3	1
YES	34330-9814	73	B	0	OBSOLETE	34566-0203	34565-0003	N/A	334670204	Ag	18	TXL	LPD	1	36	343670005	14	TXL	LPD	3	1	3	1
YES	34330-9214	80	H	0	OBSOLETE	34566-0803	34565-0003	34571-0301	334670204	Ag	18	TXL	LPD	1	40	N/A	N/A	N/A	N/A	N/A	N/A	3	1
NO	34070-9734	73	C	0	OBSOLETE	34566-0303	34565-0003	34571-0101	334670203	Ag	18	TXL	PGTL	3	72	343670005	14	TXL	PGTL	3	1	6	0
NO	34070-9714	73	C	0	OBSOLETE	34566-0303	34565-0003	34571-0101	334670202	Ag	18	TXL	PGTL	1	72	343670005	14	TXL	PGTL	3	1	3	0
NO	34330-9714	73	C	0	OBSOLETE	34566-0303	34565-0003	N/A	334670204	Ag	18	TXL	LPD	1	36	343670005	14	TXL	LPD	3	1	3	1
NO	34070-9334	80	G	0	OBSOLETE	34566-0703	34565-0003	34571-0301	334670203	Ag	18	TXL	PGTL	3	80	N/A	N/A	N/A	N/A	N/A	N/A	6	0
NO	34070-9314	80	G	0	OBSOLETE	34566-0703	34565-0003	34571-0301	334670202	Ag	18	TXL	PGTL	1	80	N/A	N/A	N/A	N/A	N/A	N/A	3	0
NO	34330-9314	80	G	0	OBSOLETE	34566-0703	34565-0003	N/A	334670204	Ag	18	TXL	LPD	1	40	N/A	N/A	N/A	N/A	N/A	N/A	3	1
NO	34070-9414	73	F	0	OBSOLETE	34566-0603	34565-0003	34571-0101	334670204	Ag	18	TXL	PGTL	1	72	343670001	14	TXL	PGTL	1	1	3	0
NO	34070-9434	73	F	0	OBSOLETE	34566-0603	34565-0003	34571-0101	334670204	Ag	18	TXL	PGTL	3	72	343670005	14	TXL	PGTL	3	1	6	0
NO	34333-9734	73	C	0	OBSOLETE	34566-0303	34565-0003	34571-0101	334670206	Ag	18	PTFE	PGTL	3	72	343670006	14	PTFE	PGTL	3	1	6	0

H30

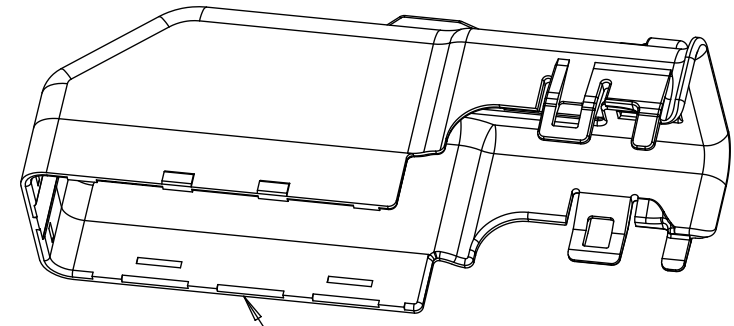
H30

H30

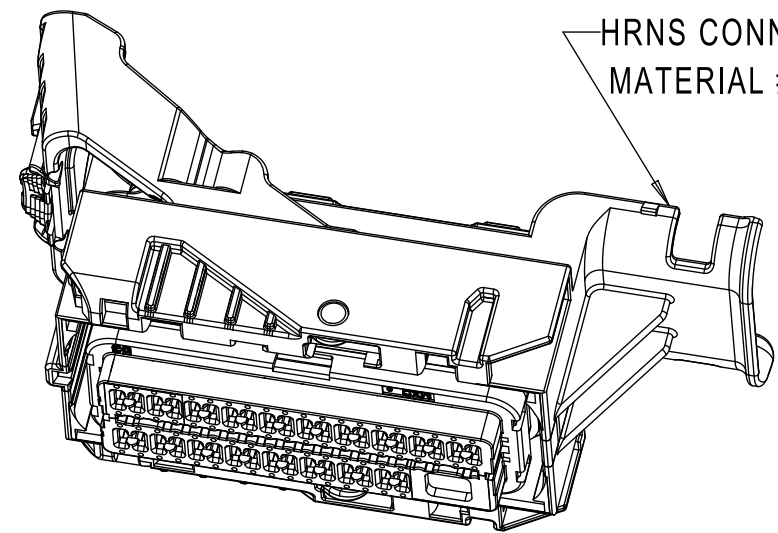
H30

FUNCTIONAL SYMBOLS FA = 0 FC = 0 FP = 0 DIVISIONAL SYMBOLS	THIS DRAWING CONTAINS INFORMATION THAT IS PROPRIETARY TO MOLEX ELECTRONIC TECHNOLOGIES, LLC AND SHOULD NOT BE USED WITHOUT WRITTEN PERMISSION DIMENSION UNITS: mm SCALE: 1:1 CURRENT REV DESC: SEE REVISION TABLE PHASE: Design Production CO NO: CO-00000304 DRWN: Kevin Kang 2022-04-28 CHK'D: Anil Kumar M S 2022-06-28 APPR: Brad Dick 2022-07-12 INITIAL REVISION: DRWN: RFC_PLMIMP APPR:	 MX123 66/73/80CKT HRNS CONN ASSY PRODUCT SALES DRAWING
DRAFT WHERE APPLICABLE MUST REMAIN WITHIN DIMENSIONS 	THIRD ANGLE PROJECTION DRAWING: D-SIZE SERIES: 34566	DOCUMENT NUMBER: SD-34566-001 DOC TYPE: PSD DOC PART: 000 REVISION: G65 MATERIAL NUMBER: CUSTOMER: GENERAL MARKET SHEET NUMBER: 7 OF 11

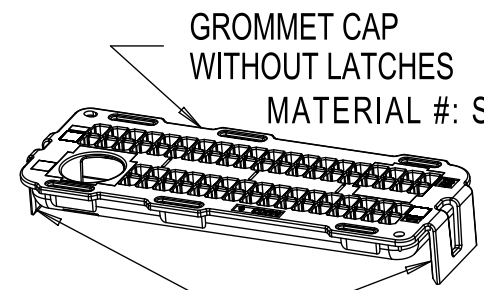
HRNS ASSY COMPONENT LIST



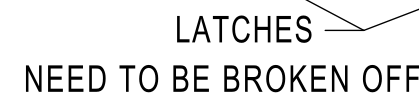
DRESS COVER
MATERIAL #: SEE HRNS ASSY TABLE



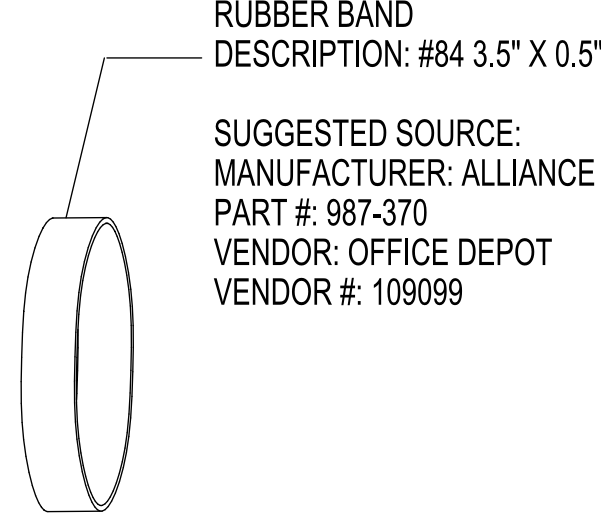
HRNS CONN. ASSY
MATERIAL #: SEE HRNS ASSY TABLE



GROMMET CAP WITHOUT LATCHES
MATERIAL #: SEE HRNS ASSY TABLE

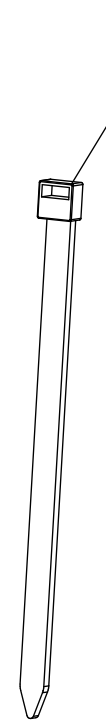


LATCHES
NEED TO BE BROKEN OFF



RUBBER BAND
DESCRIPTION: #84 3.5" X 0.5"

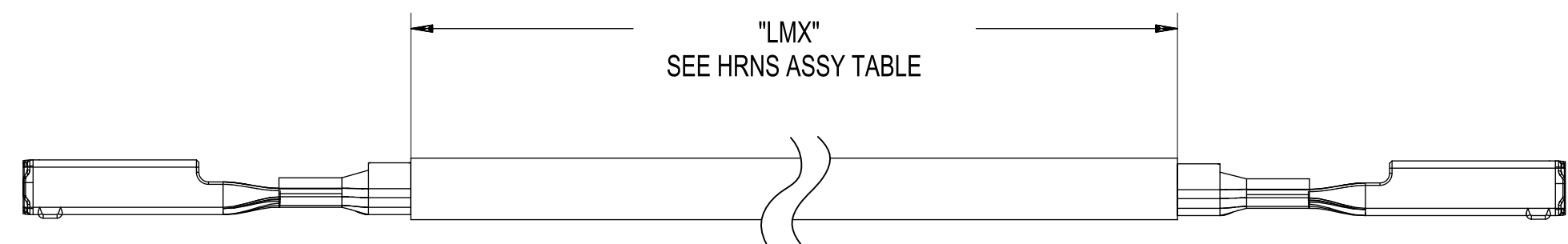
SUGGESTED SOURCE:
MANUFACTURER: ALLIANCE
PART #: 987-370
VENDOR: OFFICE DEPOT
VENDOR #: 109099



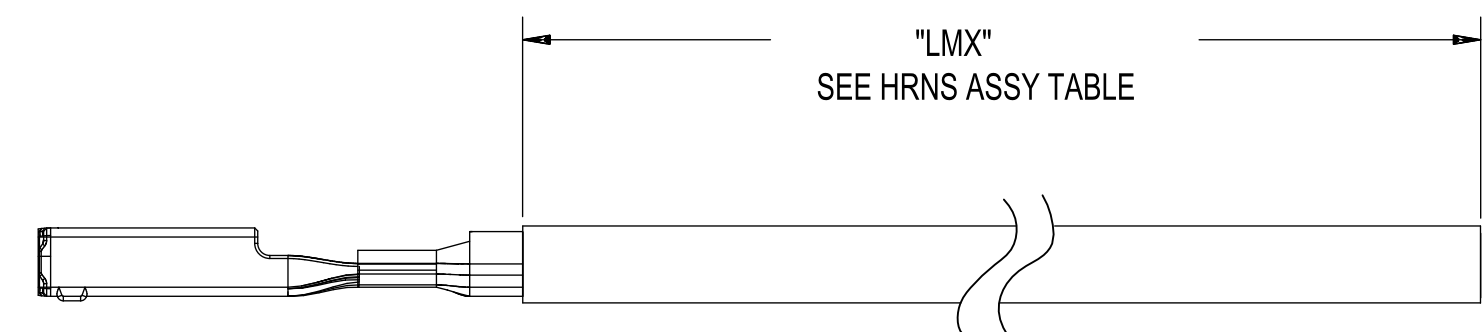
TY-RAP
DESCRIPTION: SIZE TY25 CABLE TIE

SUGGESTED SOURCE:
MANUFACTURER: THOMAS & BETTS
PART #: TY25M
VENDOR: CRESENT ELEC
VENDOR #: 104144

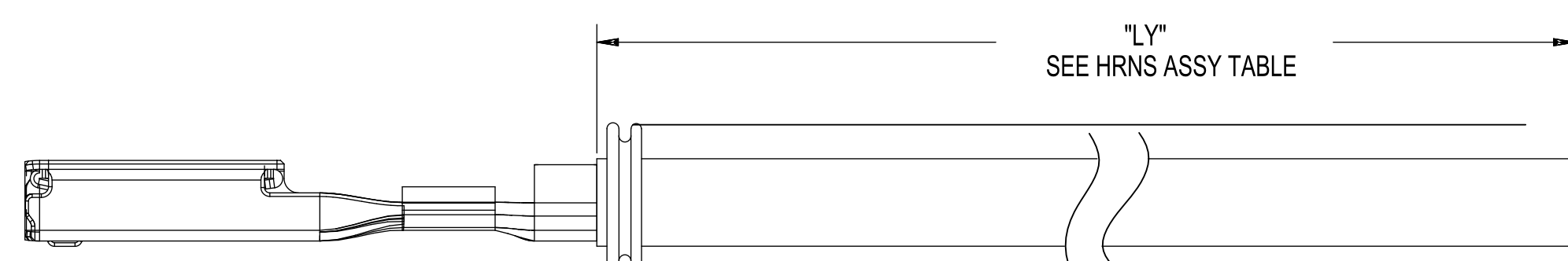
HRNS ASSY



MX64 WIRE ASSY LOOPED
MATERIAL #: SEE HRNS ASSY TABLE



MX64 WIRE ASSY PIGTAIL
MATERIAL #: SEE HRNS ASSY TABLE



2.8mm YESC SEALED FEMALE PIGTAIL ASSY
MATERIAL #: SEE HRNS ASSY TABLE

ISO WIRE HRNS ASSY TABLE- TYPE 1

TESTED	HRNS ASSY					HRNS CONN ASSY MATERIAL #	DRESS COVER MATERIAL #	GROMMET CAP MATERIAL #	MX64 WIRE ASSY PER E-33468-001							2.8mm YESC SEALED FEMALE TERMINAL TIN					TY-RAP QTY	RUBBER BAND QTY	
	MATERIAL #	CIRCUIT ID	KEY OPTION	WIRE DRESS OPTION	STATUS				MATERIAL #	MATERIAL #	MATERIAL #	RCPT PLATING	WIRE SIZE mm ²	WIRE TYPE	PIGTAIL OR LOOPED	"LMX" IN METERS 10%	QTY	MATERIAL #	WIRE SIZE # mm ²	WIRE TYPE			PIGTAIL OR LOOPED
NO	2047789931	73	A	0	OBSOLETE	34566-0103	34565-0003	34571-0101	2047801003	Ag	0.35	ISO	PGTL	3	72	2047811003	2	ISO	PGTL	3	1	6	0
NO	2047789831	73	B	0	OBSOLETE	34566-0203	34565-0003	34571-0101	2047801003	Ag	0.35	ISO	PGTL	3	72	2047811003	2	ISO	PGTL	3	1	6	0
NO	2047789731	73	C	0	OBSOLETE	34566-0303	34565-0003	34571-0101	2047801003	Ag	0.35	ISO	PGTL	3	72	2047811003	2	ISO	PGTL	3	1	6	0
NO	2047789431	73	F	0	OBSOLETE	34566-0603	34565-0003	34571-0101	2047801003	Ag	0.35	ISO	PGTL	3	72	2047811003	2	ISO	PGTL	3	1	6	0
NO	2047789932	73	A	0	OBSOLETE	34566-0103	34565-0003	34571-0101	2047802003	Ag	0.50	ISO	PGTL	3	72	2047811003	2	ISO	PGTL	3	1	6	0
NO	2047789832	73	B	0	OBSOLETE	34566-0203	34565-0003	34571-0101	2047802003	Ag	0.50	ISO	PGTL	3	72	2047811003	2	ISO	PGTL	3	1	6	0
NO	2047789732	73	C	0	OBSOLETE	34566-0303	34565-0003	34571-0101	2047802003	Ag	0.50	ISO	PGTL	3	72	2047811003	2	ISO	PGTL	3	1	6	0
NO	2047789432	73	F	0	OBSOLETE	34566-0603	34565-0003	34571-0101	2047802003	Ag	0.50	ISO	PGTL	3	72	2047811003	2	ISO	PGTL	3	1	6	0
NO	2047789933	73	A	0	OBSOLETE	34566-0103	34565-0003	34571-0101	2047803003	Ag	0.75	ISO	PGTL	3	72	2047811003	2	ISO	PGTL	3	1	6	0
NO	2047789833	73	B	0	OBSOLETE	34566-0203	34565-0003	34571-0101	2047803003	Ag	0.75	ISO	PGTL	3	72	2047811003	2	ISO	PGTL	3	1	6	0
NO	2047789733	73	C	0	OBSOLETE	34566-0303	34565-0003	34571-0101	2047803003	Ag	0.75	ISO	PGTL	3	72	2047811003	2	ISO	PGTL	3	1	6	0
NO	2047789433	73	F	0	OBSOLETE	34566-0603	34565-0003	34571-0101	2047803003	Ag	0.75	ISO	PGTL	3	72	2047811003	2	ISO	PGTL	3	1	6	0
NO	2047799911	73	A	0	OBSOLETE	34566-0103	34565-0003	34571-0101	2047801101	Ag	0.35	ISO	LPD	1	72	2047811101	2	ISO	LPD	1	1	3	0
NO	2047799811	73	B	0	OBSOLETE	34566-0203	34565-0003	34571-0101	2047801101	Ag	0.35	ISO	LPD	1	72	2047811101	2	ISO	LPD	1	1	3	0
NO	2047799711	73	C	0	OBSOLETE	34566-0303	34565-0003	34571-0101	2047801101	Ag	0.35	ISO	LPD	1	72	2047811101	2	ISO	LPD	1	1	3	0
NO	2047799411	73	F	0	OBSOLETE	34566-0603	34565-0003	34571-0101	2047801101	Ag	0.35	ISO	LPD	1	72	2047811101	2	ISO	LPD	1	1	3	0
NO	2047799912	73	A	0	OBSOLETE	34566-0103	34565-0003	34571-0101	2047802101	Ag	0.50	ISO	LPD	1	72	2047811101	2	ISO	LPD	1	1	3	0
NO	2047799812	73	B	0	OBSOLETE	34566-0203	34565-0033	34571-0101	2047802101	Ag	0.50	ISO	LPD	1	72	2047811101	2	ISO	LPD	1	1	3	0
NO	2047799712	73	C	0	OBSOLETE	34566-0303	34565-0033	34571-0101	2047802101	Ag	0.50	ISO	LPD	1	72	2047811101	2	ISO	LPD	1	1	3	0
NO	2047799412	73	F	0	OBSOLETE	34566-0603	34565-0003	34571-0101	2047802101	Ag	0.50	ISO	LPD	1	72	2047811101	2	ISO	LPD	1	1	3	0
NO	2047799913	73	A	0	OBSOLETE	34566-0103	34565-0003	34571-0101	2047803101	Ag	0.75	ISO	LPD	1	72	2047811101	2	ISO	LPD	1	1	3	0
NO	2047799813	73	B	0	OBSOLETE	34566-0203	34565-0003	34571-0101	2047803101	Ag	0.75	ISO	LPD	1	72	2047811101	2	ISO	LPD	1	1	3	0
NO	2047799713	73	C	0	OBSOLETE	34566-0303	34565-0003	34571-0101	2047803101	Ag	0.75	ISO	LPD	1	72	2047811101	2	ISO	LPD	1	1	3	0
NO	2047799413	73	F	0	OBSOLETE	34566-0603	34565-0003	34571-0101	2047803101	Ag	0.75	ISO	LPD	1	72	2047811101	2	ISO	LPD	1	1	3	0
NO	2047789333	80	G	0	OBSOLETE	34566-0703	34565-0003	34571-0301	2047803003	Ag	0.75	ISO	PGTL	3	80	N/A	N/A	N/A	N/A	N/A	N/A	6	0
NO	2047789233	80	H	0	OBSOLETE	34566-0803	34565-0003	34571-0301	2047803003	Ag	0.75	ISO	PGTL	3	80	N/A	N/A	N/A	N/A	N/A	N/A	6	0

PRODUCTION PART # FOR HARNESS ASSEMBLY (WITH WIRES) : XXXXX-KKLW

XXXXXX- SERIES NUMBER			
SERIES #	CKT SIZE	WIRE TYPE	WIRE DRESS
204778	80/73/66	ISO*	PGTL
204779	80/73/66	ISO*	LPD

KK- HARNESS CONNECTOR KEY	
#	73/80 KEY
99	A
98	B
97	C
96	D
95	E
94	F
93	G
92	H
91	J
90	K
89	L
88	M
#	66 KEY
87	A
86	B
85	C

L - MX64 CRIMPED LEAD WIRE LENGTH (m)
W - MX64 CRIMPED LEAD WIRE WIDTH (mm²)
1 - 0.35
2 - 0.50
3 - 0.75

NOTES: UNLESS OTHERWISE SPECIFIED APPLIES TO "HRNS ASSY" ONLY
1. REFER TO: PACKAGING DRAWING # PK-31300-078
2. FOR HRNS ASSY WITH WIRE ASSY SEE NEXT PAGE

FUNCTIONAL SYMBOLS FA = 0 FC = 0 FD = 0	THIS DRAWING CONTAINS INFORMATION THAT IS PROPRIETARY TO MOLEX ELECTRONIC TECHNOLOGIES, LLC AND SHOULD NOT BE USED WITHOUT WRITTEN PERMISSION	DIMENSION UNITS: mm	SCALE: 1:5	CURRENT REV DESC: SEE REVISION TABLE	
	GENERAL TOLERANCES (UNLESS SPECIFIED)	ANGULAR TOL ± 0.5°		PHASE: Design Production	
DIVISIONAL SYMBOLS	4 PLACES ±	3 PLACES ±		2022-04-28	
	2 PLACES ±	1 PLACE ±		2022-06-28	
DRAFT WHERE APPLICABLE MUST REMAIN WITHIN DIMENSIONS		THIRD ANGLE PROJECTION	DRAWING: D-SIZE	SERIES: 34566	INITIAL REVISION: DRWN: RFC_PLMIMP APPR:
MOLEX			MX123 66/73/80CKT HRNS CONN ASSY		
PRODUCT SALES DRAWING			DOCUMENT NUMBER: SD-34566-001		
DRAFT WHERE APPLICABLE MUST REMAIN WITHIN DIMENSIONS			DOC TYPE: PSD		
DRAFT WHERE APPLICABLE MUST REMAIN WITHIN DIMENSIONS			DOC PART: 000		
DRAFT WHERE APPLICABLE MUST REMAIN WITHIN DIMENSIONS			REVISION: G65		
DRAFT WHERE APPLICABLE MUST REMAIN WITHIN DIMENSIONS			SHEET NUMBER: 8 OF 11		

ISO WIRE HRNS ASSY TABLE- TYPE 1

TESTED	HRNS ASSY					HRNS CONN ASSY	DRESS COVER	GROMMET CAP	MX64 WIRE ASSY PER E-33468-001							2.8mm YESC SEALED FEMALE TERMINAL TIN					TY-RAP	RUBBER BAND	
	MATERIAL #	CIRCUIT ID	KEY OPTION	WIRE DRESS OPTION	STATUS	MATERIAL #	MATERIAL #	MATERIAL #	MATERIAL #	RCPT PLATING	WIRE SIZE # mm ²	WIRE TYPE	PIGTAIL OR LOOPED	"LMX" IN METERS 10%	QTY	MATERIAL #	WIRE SIZE # mm ²	WIRE TYPE	PIGTAIL OR LOOPED	"LMX" IN METERS 10%	QTY	QTY	QTY
NO	2047789331	80	G	0	OBSOLETE	34566-0703	34565-0003	34571-0301	2047801003	Ag	0.35	ISO	PGTL	3	80	2047811003	2	ISO	PGTL	3	N/A	6	0
NO	2047789231	80	H	0	OBSOLETE	34566-0803	34565-0003	34571-0301	2047801003	Ag	0.35	ISO	PGTL	3	80	2047811003	2	ISO	PGTL	3	N/A	6	0
NO	2047789332	80	G	0	OBSOLETE	34566-0703	34565-0003	34571-0301	2047802003	Ag	0.50	ISO	PGTL	3	80	2047811003	2	ISO	PGTL	3	N/A	6	0
NO	2047789232	80	H	0	OBSOLETE	34566-0803	34565-0003	34571-0301	2047802003	Ag	0.50	ISO	PGTL	3	80	2047811003	2	ISO	PGTL	3	N/A	6	0
NO	2047789333	80	G	0	OBSOLETE	34566-0703	34565-0003	34571-0301	2047803003	Ag	0.75	ISO	PGTL	3	80	2047811003	2	ISO	PGTL	3	N/A	6	0
NO	2047789233	80	H	0	OBSOLETE	34566-0803	34565-0003	34571-0301	2047803003	Ag	0.75	ISO	PGTL	3	80	2047811003	2	ISO	PGTL	3	N/A	6	0
NO	2047799311	80	G	0	OBSOLETE	34566-0703	34565-0003	N/A	2047801101	Ag	0.35	ISO	LPD	1	80	2047811101	2	ISO	LPD	1	N/A	3	0
NO	2047799211	80	H	0	OBSOLETE	34566-0803	34565-0003	N/A	2047801101	Ag	0.35	ISO	LPD	1	80	2047811101	2	ISO	LPD	1	N/A	3	0
NO	2047799312	80	G	0	OBSOLETE	34566-0703	34565-0003	N/A	2047802101	Ag	0.50	ISO	LPD	1	80	2047811101	2	ISO	LPD	1	N/A	3	0
NO	2047799212	80	H	0	OBSOLETE	34566-0803	34565-0003	N/A	2047802101	Ag	0.50	ISO	LPD	1	80	2047811101	2	ISO	LPD	1	N/A	3	0
NO	2047799313	80	G	0	OBSOLETE	34566-0703	34565-0003	N/A	2047803101	Ag	0.75	ISO	LPD	1	80	2047811101	2	ISO	LPD	1	N/A	3	0
NO	2047799213	80	H	0	OBSOLETE	34566-0803	34565-0003	N/A	2047803101	Ag	0.75	ISO	LPD	1	80	2047811101	2	ISO	LPD	1	N/A	3	0
NO	2047789931	66	A	0	OBSOLETE	34822-0013	34565-0003	34822-5011	2047801003	Ag	0.35	ISO	PGTL	3	64	2047811003	2	ISO	PGTL	3	2	6	0
NO	2047789731	66	C	0	OBSOLETE	34822-0033	34565-0003	34822-5011	2047801003	Ag	0.35	ISO	PGTL	3	64	2047811003	2	ISO	PGTL	3	2	6	0
NO	2047789932	66	A	0	OBSOLETE	34822-0013	34565-0003	34822-5011	2047802003	Ag	0.50	ISO	PGTL	3	64	2047811003	2	ISO	PGTL	3	2	6	0
NO	2047789732	66	C	0	OBSOLETE	34822-0033	34565-0003	34822-5011	2047802003	Ag	0.50	ISO	PGTL	3	64	2047811003	2	ISO	PGTL	3	2	6	0
NO	2047789933	66	A	0	OBSOLETE	34822-0013	34565-0003	34822-5011	2047803003	Ag	0.75	ISO	PGTL	3	64	2047811003	2	ISO	PGTL	3	2	6	0
NO	2047789733	66	C	0	OBSOLETE	34822-0033	34565-0003	34822-5011	2047803003	Ag	0.75	ISO	PGTL	3	64	2047811003	2	ISO	PGTL	3	2	6	0
NO	2047799911	66	A	0	OBSOLETE	34822-0013	34565-0003	N/A	2047801101	Ag	0.35	ISO	LPD	1	64	2047811101	2	ISO	LPD	1	2	3	0
NO	2047799711	66	C	0	OBSOLETE	34822-0033	34565-0003	N/A	2047801101	Ag	0.35	ISO	LPD	1	64	2047811101	2	ISO	LPD	1	2	3	0
NO	2047799912	66	A	0	OBSOLETE	34822-0013	34565-0003	N/A	2047802101	Ag	0.50	ISO	LPD	1	64	2047811101	2	ISO	LPD	1	2	3	0
NO	2047799712	66	C	0	OBSOLETE	34822-0033	34565-0003	N/A	2047802101	Ag	0.50	ISO	LPD	1	64	2047811101	2	ISO	LPD	1	2	3	0
NO	2047799913	66	A	0	OBSOLETE	34822-0013	34565-0003	N/A	2047803101	Ag	0.75	ISO	LPD	1	64	2047811101	2	ISO	LPD	1	2	3	0
NO	2047799713	66	C	0	OBSOLETE	34822-0033	34565-0003	N/A	2047803101	Ag	0.75	ISO	LPD	1	64	2047811101	2	ISO	LPD	1	2	3	0

<p>FUNCTIONAL SYMBOLS</p> <p>$F_A = 0$</p> <p>$F_C = 0$</p> <p>$F_P = 0$</p> <p>DIVISIONAL SYMBOLS</p>	<p>THIS DRAWING CONTAINS INFORMATION THAT IS PROPRIETARY TO MOLEX ELECTRONIC TECHNOLOGIES, LLC AND SHOULD NOT BE USED WITHOUT WRITTEN PERMISSION</p> <p>CURRENT REV DESC: SEE REVISION TABLE</p> <p>PHASE: Design Production</p> <p>CO NO: CO-00000304</p> <p>DRWN: Kevin Kang 2022-04-28</p> <p>CHK'D: Anil Kumar M S 2022-06-28</p> <p>APPR: Brad Dick 2022-07-12</p> <p>INITIAL REVISION:</p> <p>DRWN: RFC_PLMIMP</p> <p>APPR:</p>	<h1 style="margin: 0;">molex</h1> <p style="margin: 5px 0;">MX123</p> <p style="margin: 5px 0;">66/73/80CKT HRNS CONN ASSY</p> <p style="margin: 5px 0;">PRODUCT SALES DRAWING</p>
<p>DRAFT WHERE APPLICABLE MUST REMAIN WITHIN DIMENSIONS</p> <p>THIRD ANGLE PROJECTION</p> <p>DRAWING SERIES</p> <p>D-SIZE 34566</p>		<p>DOCUMENT NUMBER</p> <p style="font-size: 1.2em; font-weight: bold;">SD-34566-001</p> <p>DOC TYPE DOC PART REVISION</p> <p style="font-size: 1.2em; font-weight: bold;">PSD 000 G65</p> <p>MATERIAL NUMBER CUSTOMER SHEET NUMBER</p> <p style="font-weight: bold;">GENERAL MARKET 9 OF 11</p>

ISO WIRE HRNS ASSY TABLE- TYPE 2

TESTED	HRNS ASSY					HRNS CONN ASSY	DRESS COVER	GROMMET CAP	MX64 WIRE ASSY PER E-33468-001							2.8mm YESC SEALED FEMALE TERMINAL TIN					TY-RAP	RUBBER BAND	
	MATERIAL #	CIRCUIT ID	KEY OPTION	WIRE DRESS OPTION	STATUS	MATERIAL #	MATERIAL #	MATERIAL #	MATERIAL #	RCPT PLATING	WIRE SIZE mm ²	WIRE TYPE	PIGTAIL OR LOOPED	"LMX" IN METERS 10%	QTY	MATERIAL #	WIRE SIZE # mm ²	WIRE TYPE	PIGTAIL OR LOOPED	"LMX" IN METERS 10%	QTY	QTY	QTY
NO	2047789931	73	A	0	SALEABLE	216739-0001	34565-0005	34571-0101	2047801003	Ag	0.35	ISO	PGTL	3	72	2047811003	2	ISO	PGTL	3	1	6	0
NO	2047789831	73	B	0	SALEABLE	216739-0002	34565-0005	34571-0101	2047801003	Ag	0.35	ISO	PGTL	3	72	2047811003	2	ISO	PGTL	3	1	6	0
NO	2047789731	73	C	0	SALEABLE	216739-0003	34565-0005	34571-0101	2047801003	Ag	0.35	ISO	PGTL	3	72	2047811003	2	ISO	PGTL	3	1	6	0
NO	2047789431	73	F	0	SALEABLE	216739-0006	34565-0005	34571-0101	2047801003	Ag	0.35	ISO	PGTL	3	72	2047811003	2	ISO	PGTL	3	1	6	0
NO	2047789932	73	A	0	SALEABLE	216739-0001	34565-0005	34571-0101	2047802003	Ag	0.50	ISO	PGTL	3	72	2047811003	2	ISO	PGTL	3	1	6	0
NO	2047789832	73	B	0	SALEABLE	216739-0002	34565-0005	34571-0101	2047802003	Ag	0.50	ISO	PGTL	3	72	2047811003	2	ISO	PGTL	3	1	6	0
NO	2047789732	73	C	0	SALEABLE	216739-0003	34565-0005	34571-0101	2047802003	Ag	0.50	ISO	PGTL	3	72	2047811003	2	ISO	PGTL	3	1	6	0
NO	2047789432	73	F	0	SALEABLE	216739-0006	34565-0005	34571-0101	2047802003	Ag	0.50	ISO	PGTL	3	72	2047811003	2	ISO	PGTL	3	1	6	0
NO	2047789933	73	A	0	SALEABLE	216739-0001	34565-0005	34571-0101	2047803003	Ag	0.75	ISO	PGTL	3	72	2047811003	2	ISO	PGTL	3	1	6	0
NO	2047789833	73	B	0	SALEABLE	216739-0002	34565-0005	34571-0101	2047803003	Ag	0.75	ISO	PGTL	3	72	2047811003	2	ISO	PGTL	3	1	6	0
NO	2047789733	73	C	0	SALEABLE	216739-0003	34565-0005	34571-0101	2047803003	Ag	0.75	ISO	PGTL	3	72	2047811003	2	ISO	PGTL	3	1	6	0
NO	2047789433	73	F	0	SALEABLE	216739-0006	34565-0005	34571-0101	2047803003	Ag	0.75	ISO	PGTL	3	72	2047811003	2	ISO	PGTL	3	1	6	0
NO	2047799911	73	A	0	SALEABLE	216739-0001	34565-0005	34571-0101	2047801101	Ag	0.35	ISO	LPD	1	72	2047811101	2	ISO	LPD	1	1	3	0
NO	2047799811	73	B	0	SALEABLE	216739-0002	34565-0005	34571-0101	2047801101	Ag	0.35	ISO	LPD	1	72	2047811101	2	ISO	LPD	1	1	3	0
NO	2047799711	73	C	0	SALEABLE	216739-0003	34565-0005	34571-0101	2047801101	Ag	0.35	ISO	LPD	1	72	2047811101	2	ISO	LPD	1	1	3	0
NO	2047799411	73	F	0	SALEABLE	216739-0006	34565-0005	34571-0101	2047801101	Ag	0.35	ISO	LPD	1	72	2047811101	2	ISO	LPD	1	1	3	0
NO	2047799912	73	A	0	SALEABLE	216739-0001	34565-0005	34571-0101	2047802101	Ag	0.50	ISO	LPD	1	72	2047811101	2	ISO	LPD	1	1	3	0
NO	2047799812	73	B	0	SALEABLE	216739-0002	34565-0005	34571-0101	2047802101	Ag	0.50	ISO	LPD	1	72	2047811101	2	ISO	LPD	1	1	3	0
NO	2047799712	73	C	0	SALEABLE	216739-0003	34565-0005	34571-0101	2047802101	Ag	0.50	ISO	LPD	1	72	2047811101	2	ISO	LPD	1	1	3	0
NO	2047799412	73	F	0	SALEABLE	216739-0006	34565-0005	34571-0101	2047802101	Ag	0.50	ISO	LPD	1	72	2047811101	2	ISO	LPD	1	1	3	0
NO	2047799913	73	A	0	SALEABLE	216739-0001	34565-0005	34571-0101	2047803101	Ag	0.75	ISO	LPD	1	72	2047811101	2	ISO	LPD	1	1	3	0
NO	2047799813	73	B	0	SALEABLE	216739-0002	34565-0005	34571-0101	2047803101	Ag	0.75	ISO	LPD	1	72	2047811101	2	ISO	LPD	1	1	3	0
NO	2047799713	73	C	0	SALEABLE	216739-0003	34565-0005	34571-0101	2047803101	Ag	0.75	ISO	LPD	1	72	2047811101	2	ISO	LPD	1	1	3	0
NO	2047799413	73	F	0	SALEABLE	216739-0006	34565-0005	34571-0101	2047803101	Ag	0.75	ISO	LPD	1	72	2047811101	2	ISO	LPD	1	1	3	0
NO	2047789333	80	G	0	SALEABLE	216738-0001	34565-0005	34571-0301	2047803003	Ag	0.75	ISO	PGTL	3	80	N/A	N/A	N/A	N/A	N/A	N/A	6	0
NO	2047789233	80	H	0	SALEABLE	216738-0002	34565-0005	34571-0301	2047803003	Ag	0.75	ISO	PGTL	3	80	N/A	N/A	N/A	N/A	N/A	N/A	6	0

FUNCTIONAL SYMBOLS	THIS DRAWING CONTAINS INFORMATION THAT IS PROPRIETARY TO MOLEX ELECTRONIC TECHNOLOGIES, LLC AND SHOULD NOT BE USED WITHOUT WRITTEN PERMISSION		
$F_A = 0$	DIMENSION UNITS	SCALE	CURRENT REV DESC: SEE REVISION TABLE
$F_C = 0$	mm	1:1	
$F_P = 0$	GENERAL TOLERANCES (UNLESS SPECIFIED)		
	ANGULAR TOL ± 0.5°		PHASE: Design Production
	4 PLACES ±		CO NO: CO-00000304
	3 PLACES ±		DRWN: Kevin Kang 2022-04-28
	2 PLACES ±		CHK'D: Anil Kumar M S 2022-06-28
	1 PLACE ±		APPR: Brad Dick 2022-07-12
	0 PLACES ±		INITIAL REVISION:
	DRAFT WHERE APPLICABLE MUST REMAIN WITHIN DIMENSIONS		DRWN: RFC_PLMIMP
	THIRD ANGLE PROJECTION		APPR:
		DRAWING	SERIES
		D-SIZE	34566
	MATERIAL NUMBER		CUSTOMER
	SD-34566-001		GENERAL MARKET
	DOC TYPE	DOC PART	REVISION
	PSD	000	G65
	SHEET NUMBER		
	10 OF 11		

ISO WIRE HRNS ASSY TABLE- TYPE 2

TESTED	HRNS ASSY					HRNS CONN ASSY	DRESS COVER	GROMMET CAP	MX64 WIRE ASSY PER E-33468-001							2.8mm YESC SEALED FEMALE TERMINAL TIN					TY-RAP	RUBBER BAND	
	MATERIAL #	CIRCUIT ID	KEY OPTION	WIRE DRESS OPTION	STATUS	MATERIAL #	MATERIAL #	MATERIAL #	MATERIAL #	RCPT PLATING	WIRE SIZE # mm ²	WIRE TYPE	PIGTAIL OR LOOPED	"LMX" IN METERS 10%	QTY	MATERIAL #	WIRE SIZE # mm ²	WIRE TYPE	PIGTAIL OR LOOPED	"LMX" IN METERS 10%	QTY	QTY	QTY
NO	2047789331	80	G	0	SALEABLE	216738-0001	34565-0005	34571-0301	2047801003	Ag	0.35	ISO	PGTL	3	80	2047811003	2	ISO	PGTL	3	N/A	6	0
NO	2047789231	80	H	0	SALEABLE	216738-0002	34565-0005	34571-0301	2047801003	Ag	0.35	ISO	PGTL	3	80	2047811003	2	ISO	PGTL	3	N/A	6	0
NO	2047789332	80	G	0	SALEABLE	216738-0001	34565-0005	34571-0301	2047802003	Ag	0.50	ISO	PGTL	3	80	2047811003	2	ISO	PGTL	3	N/A	6	0
NO	2047789232	80	H	0	SALEABLE	216738-0002	34565-0005	34571-0301	2047802003	Ag	0.50	ISO	PGTL	3	80	2047811003	2	ISO	PGTL	3	N/A	6	0
NO	2047789333	80	G	0	SALEABLE	216738-0001	34565-0005	34571-0301	2047803003	Ag	0.75	ISO	PGTL	3	80	2047811003	2	ISO	PGTL	3	N/A	6	0
NO	2047789233	80	H	0	SALEABLE	216738-0002	34565-0005	34571-0301	2047803003	Ag	0.75	ISO	PGTL	3	80	2047811003	2	ISO	PGTL	3	N/A	6	0
NO	2047799311	80	G	0	SALEABLE	216738-0001	34565-0005	N/A	2047801101	Ag	0.35	ISO	LPD	1	80	2047811101	2	ISO	LPD	1	N/A	3	0
NO	2047799211	80	H	0	SALEABLE	216738-0002	34565-0005	N/A	2047801101	Ag	0.35	ISO	LPD	1	80	2047811101	2	ISO	LPD	1	N/A	3	0
NO	2047799312	80	G	0	SALEABLE	216738-0001	34565-0005	N/A	2047802101	Ag	0.50	ISO	LPD	1	80	2047811101	2	ISO	LPD	1	N/A	3	0
NO	2047799212	80	H	0	SALEABLE	216738-0002	34565-0005	N/A	2047802101	Ag	0.50	ISO	LPD	1	80	2047811101	2	ISO	LPD	1	N/A	3	0
NO	2047799313	80	G	0	SALEABLE	216738-0001	34565-0005	N/A	2047803101	Ag	0.75	ISO	LPD	1	80	2047811101	2	ISO	LPD	1	N/A	3	0
NO	2047799213	80	H	0	SALEABLE	216738-0002	34565-0005	N/A	2047803101	Ag	0.75	ISO	LPD	1	80	2047811101	2	ISO	LPD	1	N/A	3	0
NO	2047789931	66	A	0	SALEABLE	216741-0001	34565-0005	34822-5011	2047801003	Ag	0.35	ISO	PGTL	3	64	2047811003	2	ISO	PGTL	3	2	6	0
NO	2047789731	66	C	0	SALEABLE	216741-0003	34565-0005	34822-5011	2047801003	Ag	0.35	ISO	PGTL	3	64	2047811003	2	ISO	PGTL	3	2	6	0
NO	2047789932	66	A	0	SALEABLE	216741-0001	34565-0005	34822-5011	2047802003	Ag	0.50	ISO	PGTL	3	64	2047811003	2	ISO	PGTL	3	2	6	0
NO	2047789732	66	C	0	SALEABLE	216741-0003	34565-0005	34822-5011	2047802003	Ag	0.50	ISO	PGTL	3	64	2047811003	2	ISO	PGTL	3	2	6	0
NO	2047789933	66	A	0	SALEABLE	216741-0001	34565-0005	34822-5011	2047803003	Ag	0.75	ISO	PGTL	3	64	2047811003	2	ISO	PGTL	3	2	6	0
NO	2047789733	66	C	0	SALEABLE	216741-0003	34565-0005	34822-5011	2047803003	Ag	0.75	ISO	PGTL	3	64	2047811003	2	ISO	PGTL	3	2	6	0
NO	2047799911	66	A	0	SALEABLE	216741-0001	34565-0005	N/A	2047801101	Ag	0.35	ISO	LPD	1	64	2047811101	2	ISO	LPD	1	2	3	0
NO	2047799711	66	C	0	SALEABLE	216741-0003	34565-0005	N/A	2047801101	Ag	0.35	ISO	LPD	1	64	2047811101	2	ISO	LPD	1	2	3	0
NO	2047799912	66	A	0	SALEABLE	216741-0001	34565-0005	N/A	2047802101	Ag	0.50	ISO	LPD	1	64	2047811101	2	ISO	LPD	1	2	3	0
NO	2047799712	66	C	0	SALEABLE	216741-0003	34565-0005	N/A	2047802101	Ag	0.50	ISO	LPD	1	64	2047811101	2	ISO	LPD	1	2	3	0
NO	2047799913	66	A	0	SALEABLE	216741-0001	34565-0005	N/A	2047803101	Ag	0.75	ISO	LPD	1	64	2047811101	2	ISO	LPD	1	2	3	0
NO	2047799713	66	C	0	SALEABLE	216741-0003	34565-0005	N/A	2047803101	Ag	0.75	ISO	LPD	1	64	2047811101	2	ISO	LPD	1	2	3	0

FUNCTIONAL SYMBOLS $F_A = 0$ $F_C = 0$ $F_P = 0$	THIS DRAWING CONTAINS INFORMATION THAT IS PROPRIETARY TO MOLEX ELECTRONIC TECHNOLOGIES, LLC AND SHOULD NOT BE USED WITHOUT WRITTEN PERMISSION DIMENSION UNITS: mm SCALE: 1:1 CURRENT REV DESC: SEE REVISION TABLE PHASE: Design Production CO NO: CO-00000304 DRWN: Kevin Kang 2022-04-28 CHK'D: Anil Kumar M S 2022-06-28 APPR: Brad Dick 2022-07-12	MX123 66/73/80CKT HRNS CONN ASSY PRODUCT SALES DRAWING
DIVISIONAL SYMBOLS 4 PLACES ± 3 PLACES ± 2 PLACES ± 1 PLACE ± 0 PLACES ±	INITIAL REVISION: DRWN: RFC_PLMIMP APPR:	DOCUMENT NUMBER: SD-34566-001 DOC TYPE: PSD DOC PART: 000 REVISION: G65 MATERIAL NUMBER: 34566 CUSTOMER: GENERAL MARKET SHEET NUMBER: 11 OF 11
DRAFT WHERE APPLICABLE MUST REMAIN WITHIN DIMENSIONS		THIRD ANGLE PROJECTION: