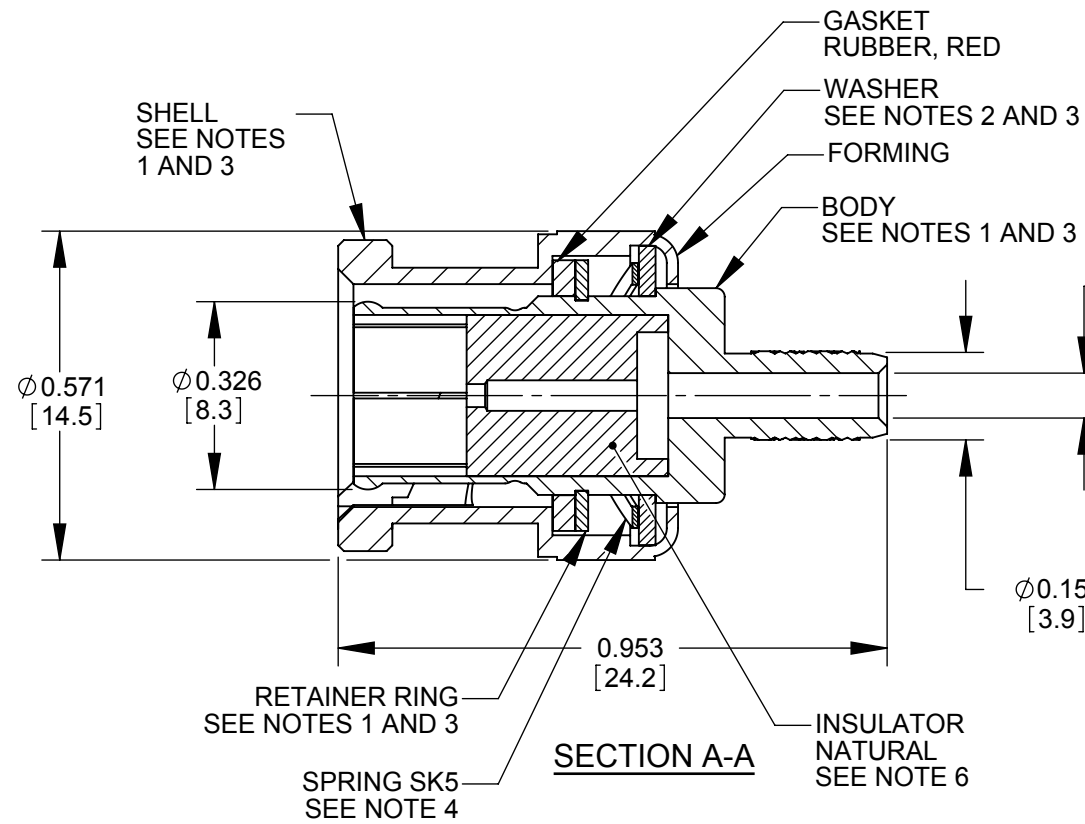
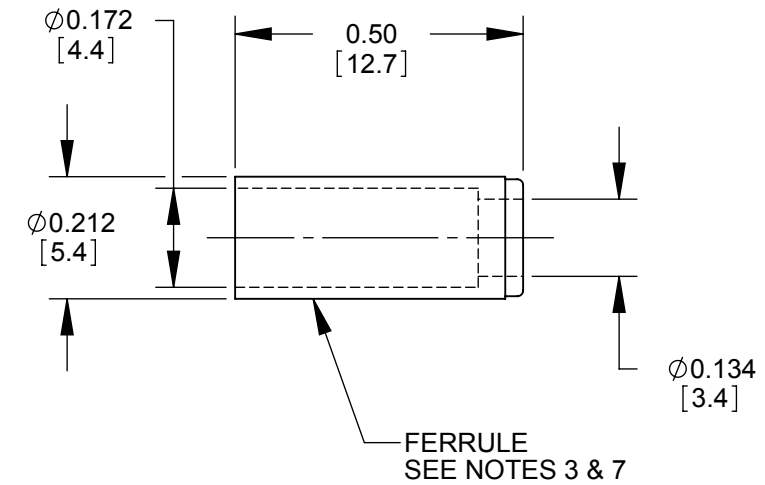
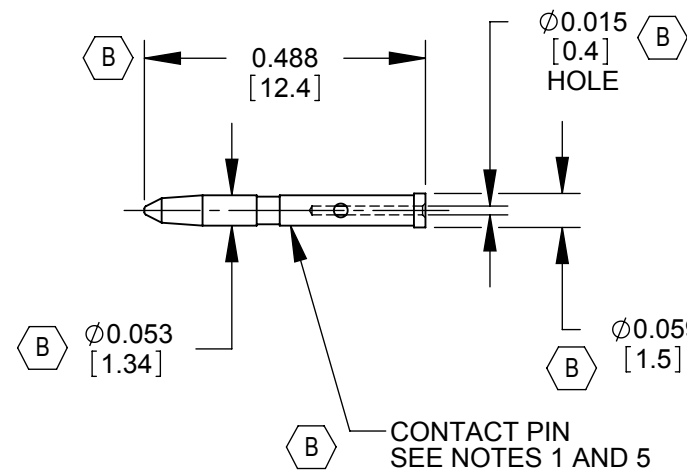


ALTRERNATE KNURL DESIGN

RECOMMENDED
CABLE STRIPPING DIMENSIONS
SWITCHCRAFT STRIPPING TOOL #PTS1



Ø0.078 [2]



NOTES:

FINISH (PLATING THICKNESS IN MICRO-INCHES)

1. BRASS PER QQ-B-626
2. BRASS PER QQ-B-613
3. NICKEL PLATING 100 MIN THICK OVER COPPER STRIKE.
4. NICKEL PLATING 200 MIN THICK OVER COPPER STRIKE.
5. GOLD PLATING 50 MIN THICK OVER NICKEL PLATING 100 MIN THICK OVER COPPER STRIKE.
6. TEFLON MIL-P-19468
7. JIS H 3250, C2600
8. CRIMPED FERRULE HEX CRIMP SIZE 0.187. (B)
9. CRIMPED CONTACT PIN SQUARE CRIMP SIZE 0.042 OR HEX CRIMP SIZE 0.041.
10. ALL DIMENSIONS ARE REFERENCE UNLESS OTHERWISE SPECIFIED.
11. THIS PRODUCT IS RoHS COMPLIANT.

CUSTOMER DRAWING

					THIS DRAWING DESCRIBES A DESIGN CONSIDERED PROPRIETARY IN NATURE, DEVELOPED AND MANUFACTURED BY SWITCHCRAFT INC. AND IS RELEASED ON A CONFIDENTIAL BASIS FOR IDENTIFICATION PURPOSES ONLY.				
					SIZE	WIDTH	MULT	LBS/M	TEMPER
					UNLESS OTHERWISE SPECIFIED			FINISH	
					1. ALL DIMENSIONS IN INCHES			MATERIAL	
					- TWO PLACE DECIMALS ±0.02			SPEC No.	
					- THREE PLACE DECIMALS ±0.005			SCALE	
								3:1	
					DATE DRAWN	BY	CHKD	APVD	Switchcraft [®]
					10-31-06	RF	RF	TJK	
					NAME 75 OHM BNC CONNECTOR 179DT CABLE, RoHS			SHEET 1 OF 1	
					DO NOT SCALE DRAWING			PART No. HP75BNC14X	
					REVISIONS			REV B	