

PANDUIT TOOL NO.	INSTALLS * THE FOLLOWING STAINLESS STEEL CABLE TIE CROSS-SECTION **	WEIGHT/PC	
		OZ	GRAMS
GS4MT-E	STD LH & H	15.52	440

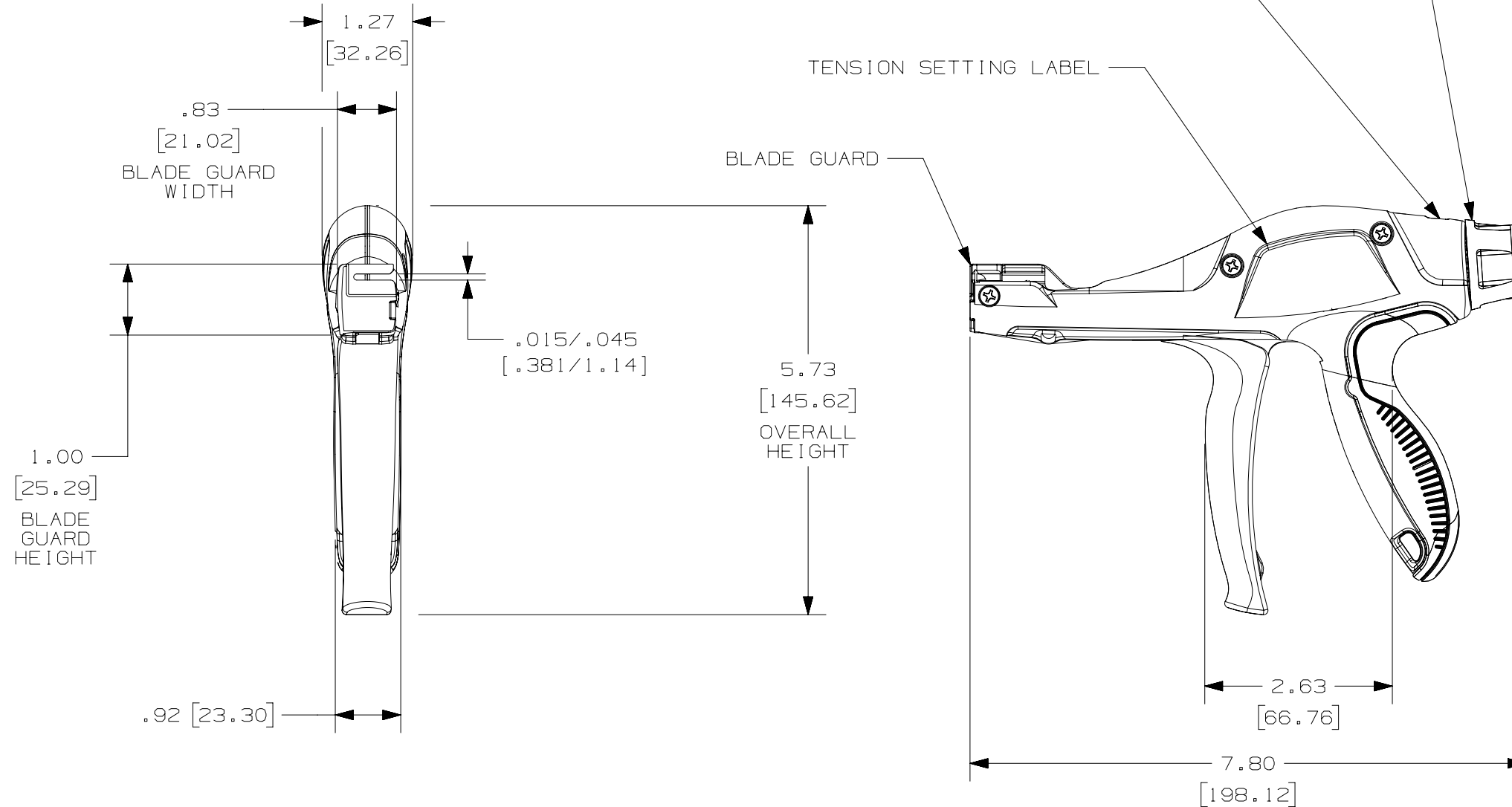
NOTES, UNLESS OTHERWISE SPECIFIED:

RoHS COMPLIANT.

* THIS TOOL TIGHTENS PANDUIT STAINLESS STEEL CABLE TIES AND CUTS OFF EXCESS PORTION WHEN PRESET TENSION IS ATTAINED.

** CABLE TIE CROSS-SECTION CODE:
 STD = STANDARD
 LH = LIGHT HEAVY
 H = HEAVY

DIMENSIONS IN BRACKETS ARE METRIC.



TENSION SETTINGS

TIE WIDTH	—	—
SETTING	STD 1-4	HVY 5-8

MS90387-3

REV	DATE	BY	CHK	APR	DESCRIPTION	ECN
02	8-28-18	JEH	ABJ	JADE	UPDATED TENSION LABEL WITH MIL SPEC MS90387-3	037489
01	11-2-16	JEH	ABJ	JADE	RELEASED AT REV 01	4853

TITLE CD, GS4MT-E					
Customer/Military Drawing					
ITEM REVISION NAME R27580AA/02			PANDUIT		
DATASET FILE NAME R27580AA_DS_TM27580B01/02A					
UNLESS OTHERWISE SPECIFIED, DIMENSIONAL TOLERANCES ARE: IN [mm]					
.X ± .1 [2.54]		.XXX ± .005 [.127]			
.XX ± .01 [.25]		ANGLES ± 5°			
 THIRD ANGLE PROJECTION			DRAWING NUMBER: TM27580B01		
DRAWN BY JEH	DATE 1-26-15	CHK ABJ	SCALE 1:2	SHT 1 OF 1	
					SIZE B