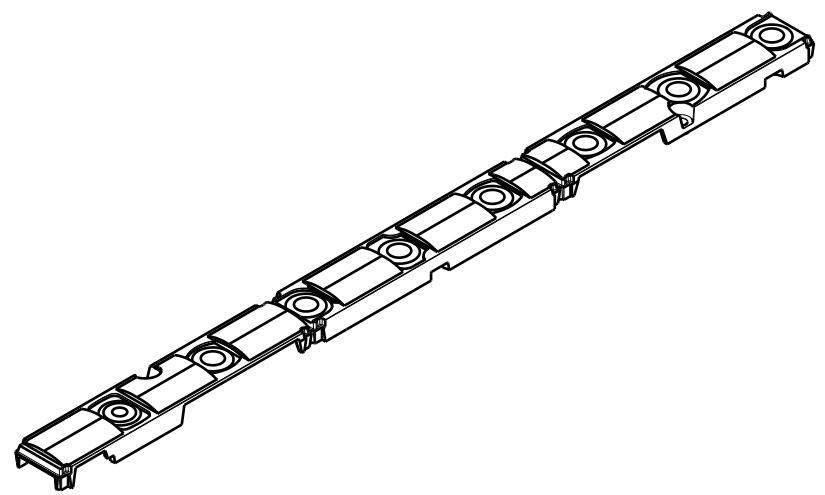
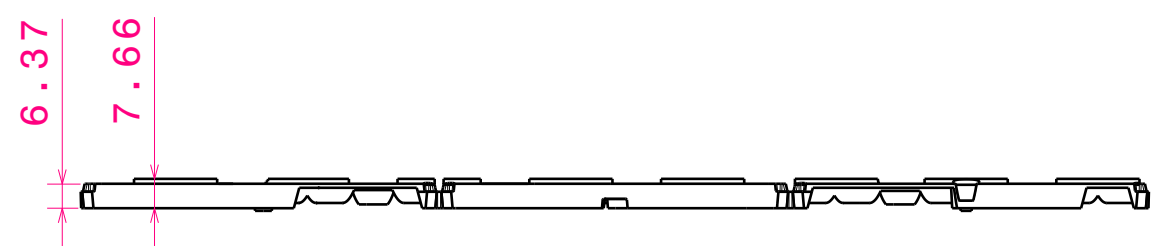
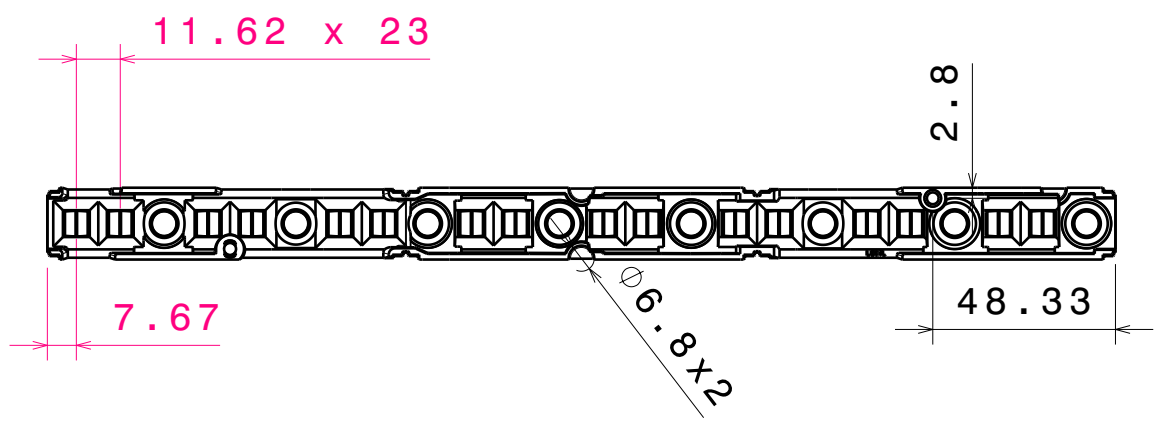
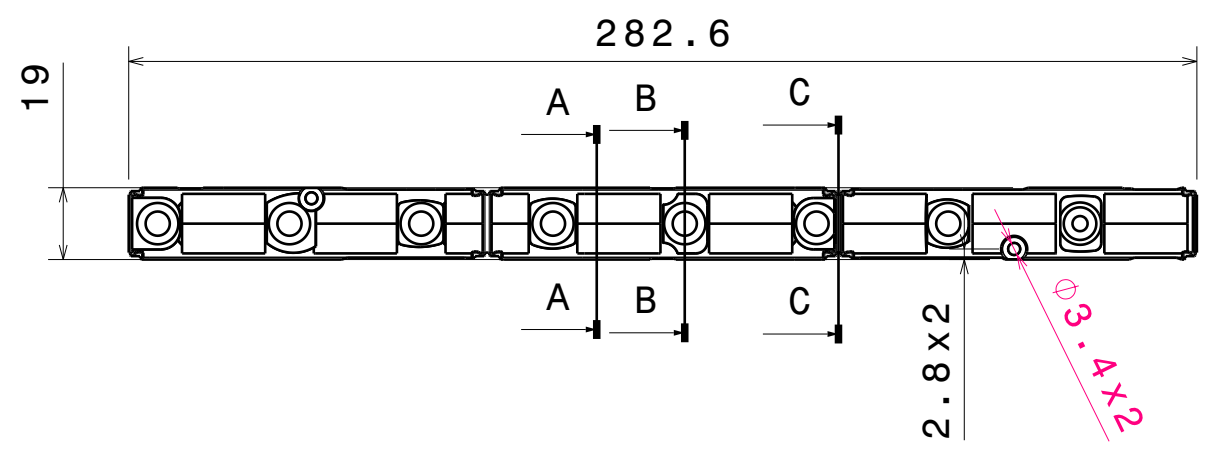


H G F E D C B A

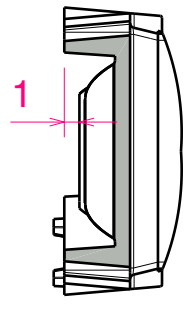
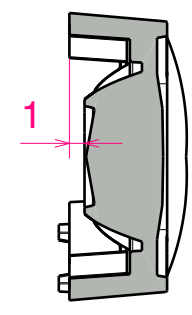
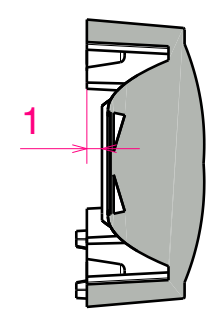
4



4



3



Section view A-A
Scale: 2:1

Section view B-B
Scale: 2:1

Section view C-C
Scale: 2:1

2

INDEX	PART NO	DESCRIPTION	MATERIAL	COLOUR
1	F15684	FLORENCE-1R-GC-Z60	PMMA 8N	

Tolerances if not otherwise shown
According to DIN ISO 2768-1
Linear measures:
Up to 30mm class F_M, otherwise see class M.
According to DIN ISO 2768-2
Form and position: class K
Control for SPC marked dimensions.

LEDiL LediL Oy
Salorankatu 10
FIN 24240 SALO
Finland

THIRD ANGLE PROJECTION:

DRAWING TITLE
F15684_FLORENCE-1R-GC-Z60

This drawing is the property of LEDiL Oy. It may not be reproduced, copied or communicated without a written agreement with LEDiL Oy.

SIZE	PART NUMBER
A3	F15684

SCALE	1:1	WEIGHT	-	SHEET	1/2
-------	-----	--------	---	-------	-----

1

H G B A