

# SPECIFICATION FOR DYNAMIC SPEAKER

Customer		Model Name	BMS28-12B-08H05CW152M
Customer P/N		Product No.	130261
Date	25 Mar. 20	Issue No.	BS/TES01.1822A3
Page	01 of 09	Issue Date	2020.03.25

### Approval:

- 1.Characteristics
- 2.Drawing
- 3.Bill of Material
- 4.Reliability Test
- 5.Packing
- 6.History Change Record

Drawn by	Checked by	Approved by	Customer approved
任江凤	杨紫群	张勇磊	

BESTAR Holdings Co., Ltd.

No.199, West Huanghe Road, Changzhou, Jiangsu, P.R. China

Tel: +86 5196 789 6200

Fax: +86 5196 789 6220

E-Mail: [Info@be-star.com](mailto:Info@be-star.com)

Web: [www.be-star.com](http://www.be-star.com)

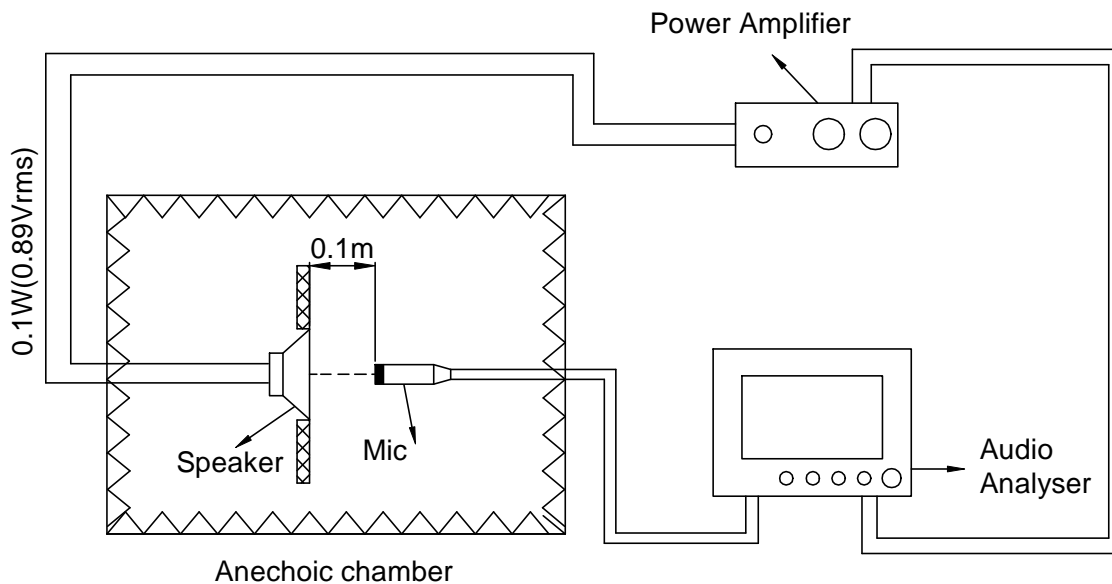
# BMS28-12B-08H05CW152M

## 1. Characteristic

### 1.1 Electrical and Mechanical Characteristics

No.	Item	Specification
1.	Impedance(at 1kHz)	$8\pm 15\% \Omega$
2.	Rated Input Power	0.8W
3.	Maximum Input Power	1.2W
4.	Resonance Frequency	$650\pm 20\% \text{Hz}$
5.	Frequency Response	F0~20KHz
6.	Output SPL (at 0.1W/0.1m )	$90\pm 3\text{dB}$ at 600 Hz
7.	Distortion ( at 1kHz,0.1W)	$\leq 5\%$
8.	Buzzes & Rattles	Must be normal at sine wave 2.53V
9.	Magnet	NdFeB
10.	Operating Temperature	-20...+70°C
11.	Storage Temperature	-40...+85°C

### 1.2 Test Method

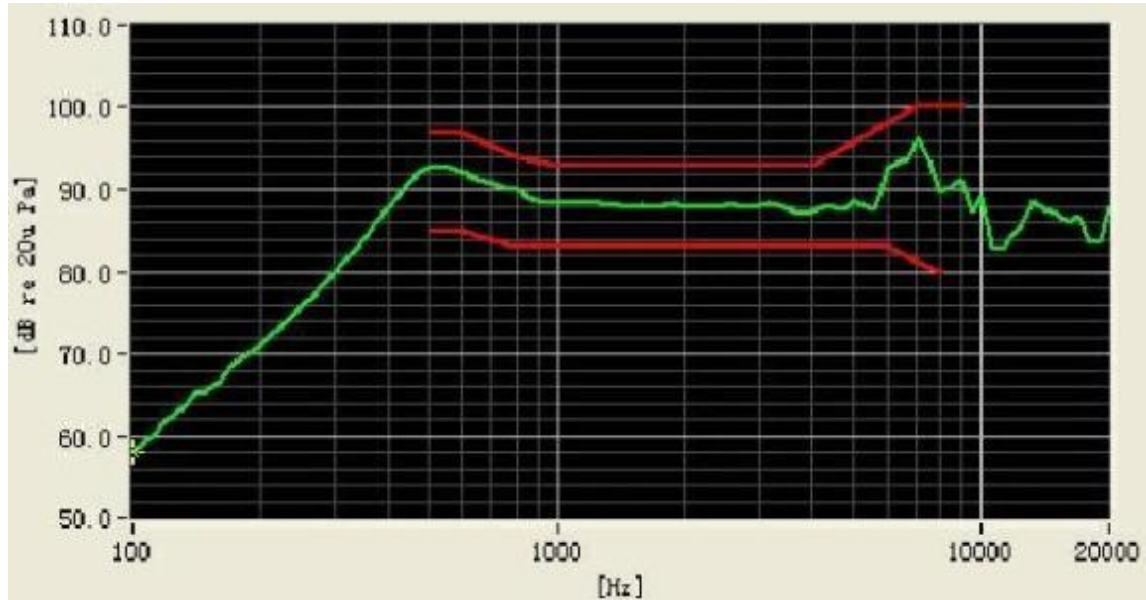


This print and information there in are proprietary to BESTAR Holdings Co., Ltd. and shall not be used in whole or in part without its written content

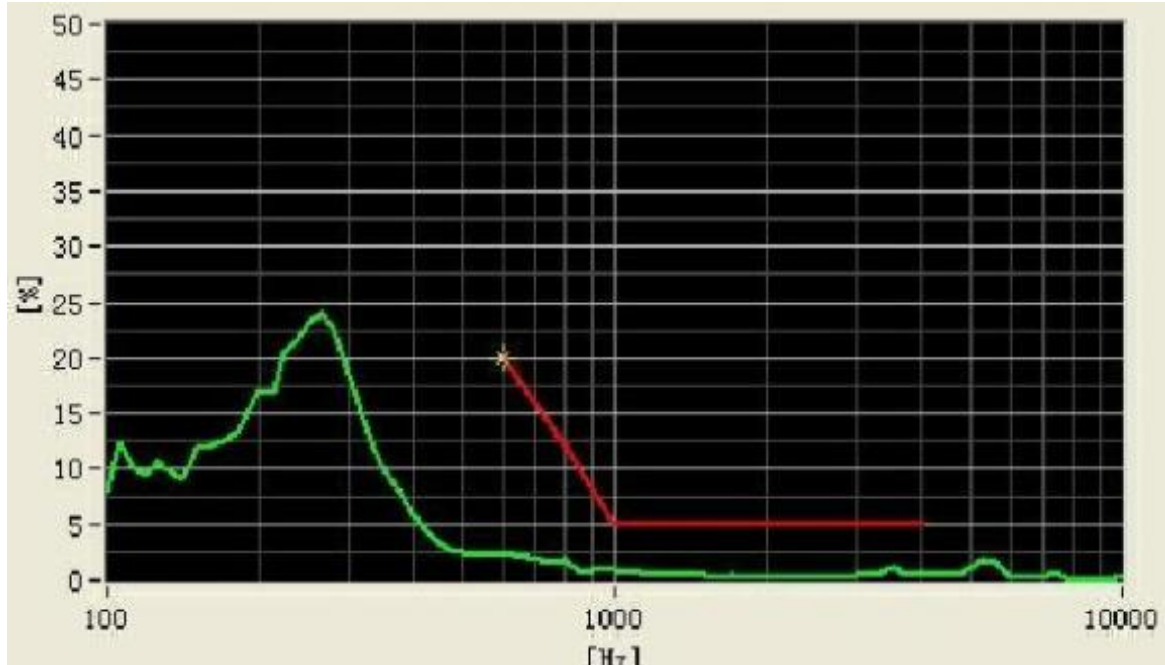
				Date:	2020.03.25	BMS28-12B-08H05CW152M	
				Drawn by:	任江凤		
A3	2020.03.25	任江凤		Checked by:	杨紫群	Speaker	
Rev.	Date	Drawn	Note	Approved by:	张勇磊		
BESTAR Holdings Co., Ltd						DRG NO: BS/TES01.1822A3	Page:02 of 09
<a href="http://www.be-star.com">http://www.be-star.com</a> <a href="mailto:info@be-star.com">info@be-star.com</a>							

# BMS28-12B-08H05CW152M

## 1.3 Fundamental (0.1W/0.1m SOUNDCHECK testing)



## 1.4 THD (0.1W/0.1m SOUNDCHECK testing)

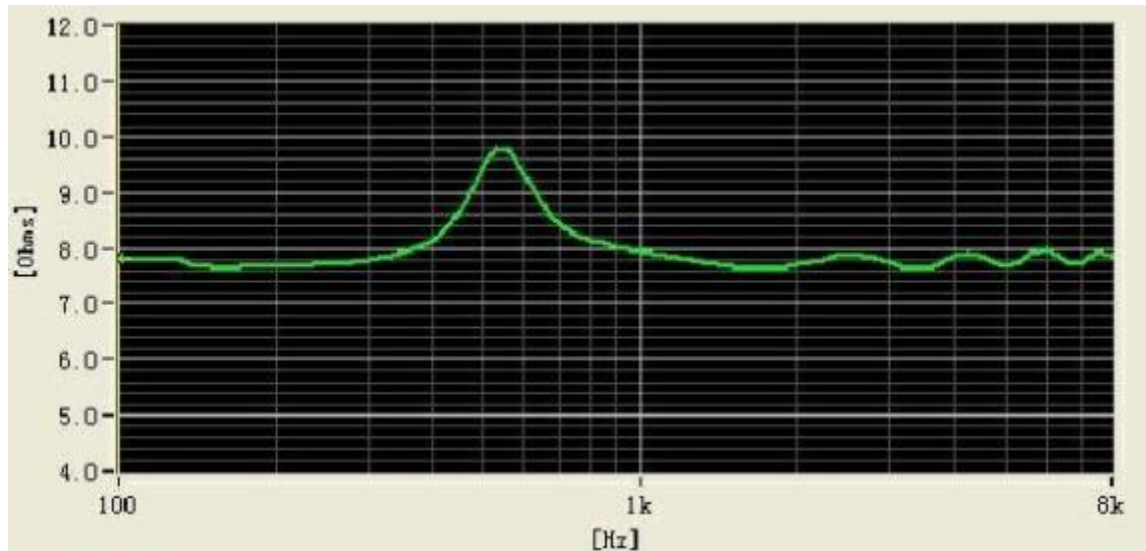


This print and information there in are proprietary to BESTAR Holdings Co., Ltd. and shall not be used in whole or in part without its written content

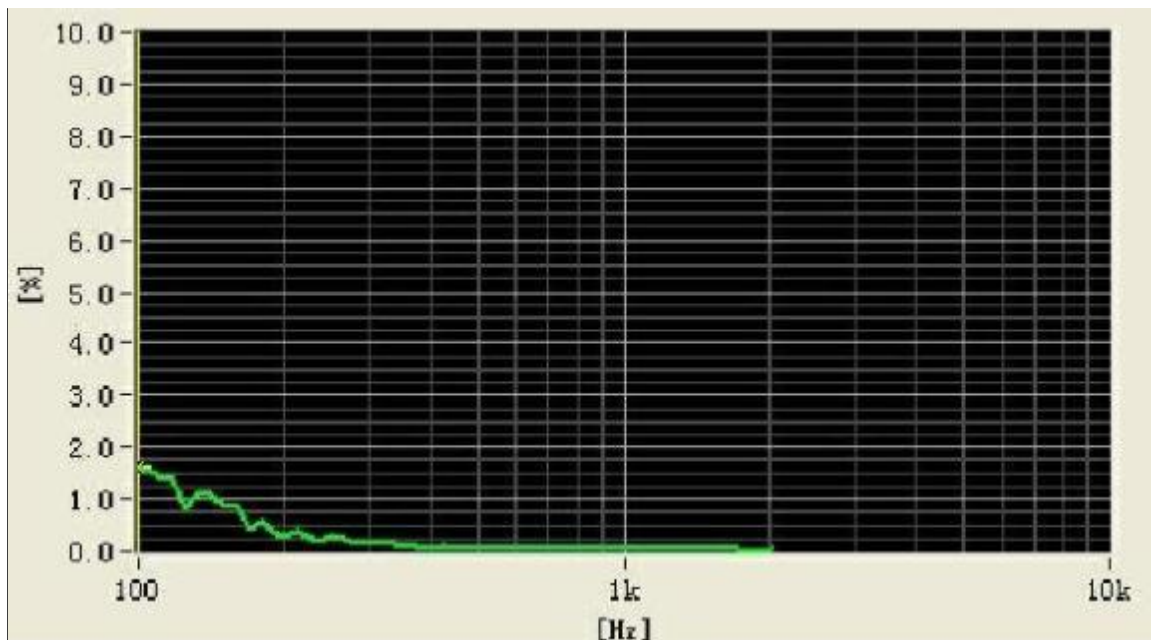
				Date:	2020.03.25	BMS28-12B-08H05CW152M	
				Drawn by:	任江凤		
A3	2020.03.25	任江凤		Checked by:	杨紫群	Speaker	
Rev.	Date	Drawn	Note	Approved by:	张勇磊		
BESTAR Holdings Co., Ltd						DRG NO: BS/TES01.1822A3	Page:03 of 09
<a href="http://www.be-star.com">http://www.be-star.com</a> <a href="mailto:info@be-star.com">info@be-star.com</a>							

# BMS28-12B-08H05CW152M

1.5 Impedance (0.1W/0.1m SOUNDCHECK testing)



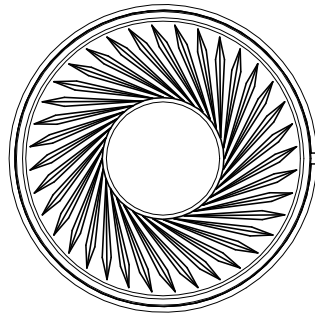
1.6 Rub&buzz (0.1W/0.1m SOUNDCHECK testing)



This print and information there in are proprietary to BESTAR Holdings Co., Ltd. and shall not be used in whole or in part without its written content

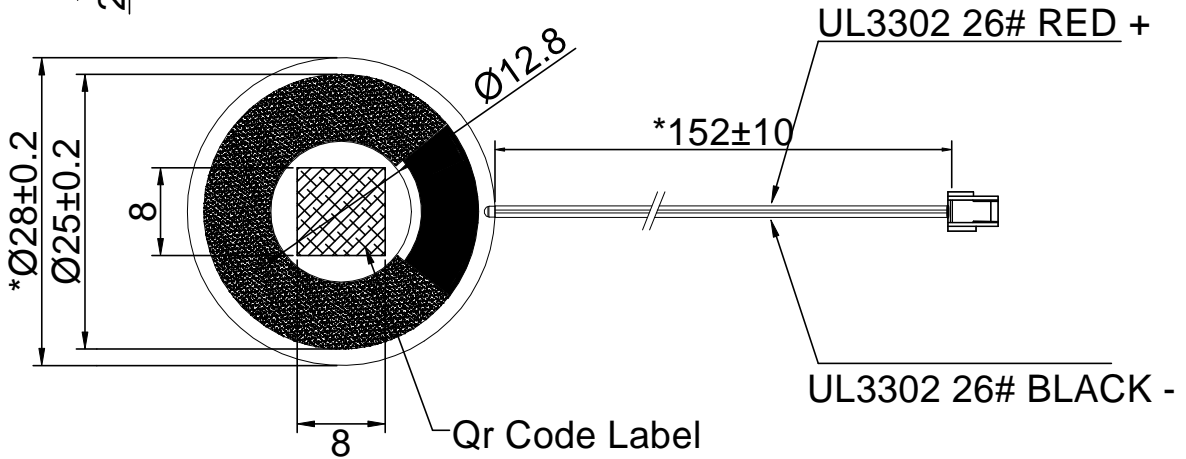
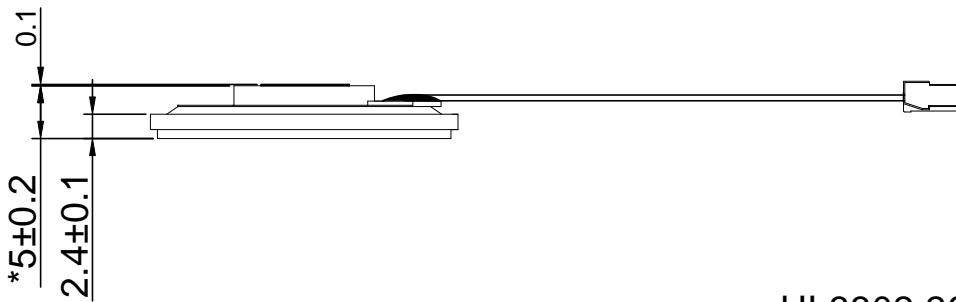
				Date:	2020.03.25	BMS28-12B-08H05CW152M	
				Drawn by:	任江风		
A3	2020.03.25	任江风		Checked by:	杨紫群	Speaker	
Rev.	Date	Drawn	Note	Approved by:	张勇磊		
BESTAR Holdings Co., Ltd						DRG NO: BS/TES01.1822A3	Page:04 of 09
<a href="http://www.be-star.com">http://www.be-star.com</a> <a href="mailto:info@be-star.com">info@be-star.com</a>							

**BMS28-12B-08H05CW152M**  
2. Drawing



Terminal  
5054311100

Housing 5055650201  
BLACK



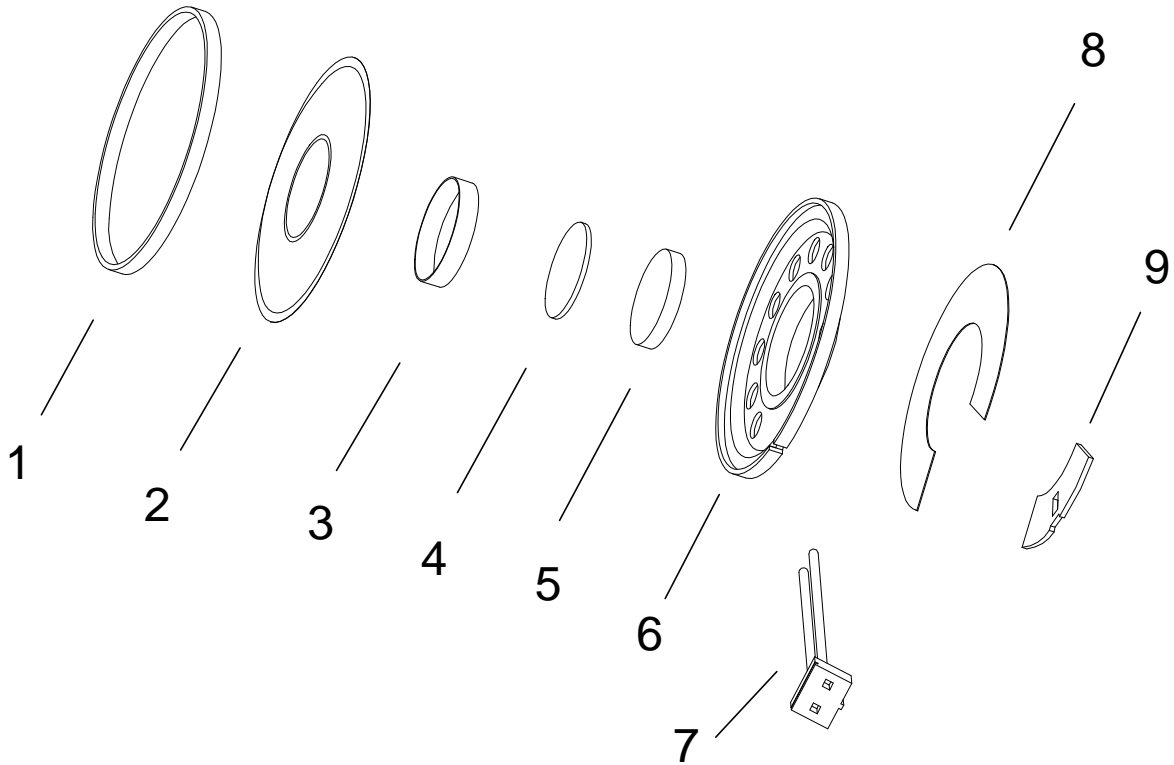
Qr Code Information: BE\*\*\*\*\*  
Year Week Day Serial number

				Date:	2020.03.25	BMS28-12B-08H05CW152M	
				Drawn by:	任江凤		
A3	2020.03.25	任江凤		Checked by:	杨紫群	Speaker	
Rev.	Date	Drawn	Note	Approved by:	张勇磊		
BESTAR Holdings Co., Ltd						DRG NO: BS/TES01.1822A3	Page:05 of 09
<a href="http://www.be-star.com">http://www.be-star.com</a> <a href="mailto:info@be-star.com">info@be-star.com</a>							

This print and information there in are proprietary to BESTAR Holdings Co., Ltd. and shall not be used in whole or in part without its written content

**BMS28-12B-08H05CW152M**

**3. Bill of Material**



9	PCB	Epoxy and Cu(plating Sn)
8	Mesh	Cloth
7	Plug wire	Cu and PVC
6	Frame	SPCC
5	Magnet	NdFeB
4	Plate	SPCC
3	Voice coil	Cu
2	Diaphragm	PEN
1	Gasket	ABS
No	Parts Name	Material

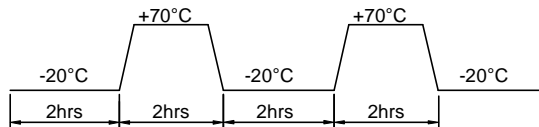
				Date:	2020.03.25	BMS28-12B-08H05CW152M	
				Drawn by:	任江凤		
A3	2020.03.25	任江凤		Checked by:	杨紫群	Speaker	
Rev.	Date	Drawn	Note	Approved by:	张勇磊		
BESTAR Holdings Co., Ltd						DRG NO: BS/TES01.1822A3	Page:06 of 09
<a href="http://www.be-star.com">http://www.be-star.com</a> <a href="mailto:info@be-star.com">info@be-star.com</a>							

This print and information there in are proprietary to BESTAR Holdings Co., Ltd. and shall not be used in whole or in part without its written content

## BMS28-12B-08H05CW152M

### 4. Reliability Test

- 3.1 Load Test  
 Power 0.8W White noise  
 Duration 96hrs
- 3.2 High Temperature Test  
 Temperature  $+85\pm 3^{\circ}\text{C}$   
 Duration 96hrs
- 3.3 Low Temperature Test  
 Temperature  $-40\pm 3^{\circ}\text{C}$   
 Duration 96hrs
- 3.4 Damp Heat  
 Temperature  $40\pm 3^{\circ}\text{C}$   
 Relative Humidity 90%-95%RH  
 Duration 96hrs
- 3.5 Temperature Cycle Test  
 Cycle 5  
 0.8W, F0~3500Hz, White noise



- 3.6 Drop Test  
 Height 75cm (in state of packing)  
 Times 10 (Drop onto hardwood board)
- 3.7 Vibration Test  
 10 ~ 55 ~ 10Hz sin-wave sweep 15min. 5G (constant) X,Y,Z 3 directions 32 hours each, total 96 hours, 0.8W, F0~3500Hz, White noise
- 3.8 Lead wire pull strength  
 3.0N for 30 sec. Horizontal, 2.0N 30 sec. vertical

#### Notice

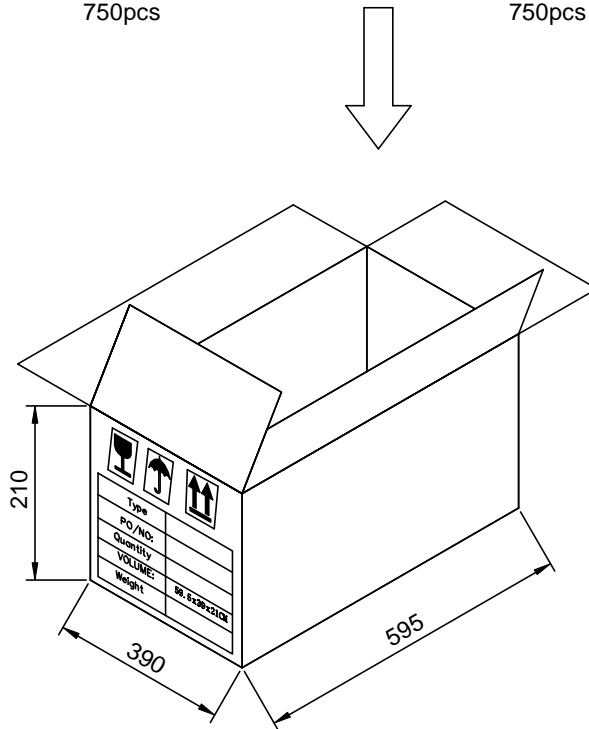
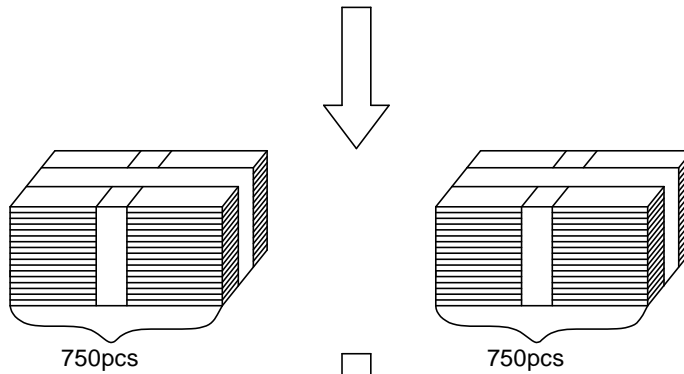
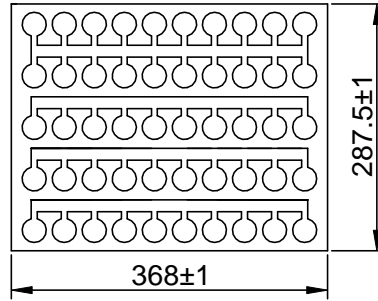
1. Immediately after reliability test, the samples shall be stored under typical ambient laboratory climate conditions unless otherwise noted for 4 hours prior to performing verification testing.
2. After reliability test, all samples must meet all specified requirements
3. Sensitivity differences at F0 ~ 5.0Khz must be within +/-3 of initial values.

				Date:	2020.03.25	BMS28-12B-08H05CW152M	
				Drawn by:	任江凤		
A3	2020.03.25	任江凤		Checked by:	杨紫群	Speaker	
Rev.	Date	Drawn	Note	Approved by:	张勇磊		
BESTAR Holdings Co., Ltd						DRG NO: BS/TES01.1822A3	Page:07 of 09
<a href="http://www.be-star.com">http://www.be-star.com</a> <a href="mailto:info@be-star.com">info@be-star.com</a>							

This print and information there in are proprietary to BESTAR Holdings Co., Ltd. and shall not be used in whole or in part without its written content

**BMS28-12B-08H05CW152M**

**5. Packing**



Remark:  
 50 pcs per carton  
 30 carton per box  
 Total 1500pcs per box  
 Size: 60×39×21(cm)

This print and information there in are proprietary to BESTAR Holdings Co., Ltd. and shall not be used in whole or in part without its written content

				Date:	2020.03.25	BMS28-12B-08H05CW152M	
				Drawn by:	任江凤		
A3	2020.03.25	任江凤		Checked by:	杨紫群	Speaker	
Rev.	Date	Drawn	Note	Approved by:	张勇磊		
BESTAR Holdings Co., Ltd						DRG NO: BS/TES01.1822A3	Page:08 of 09



