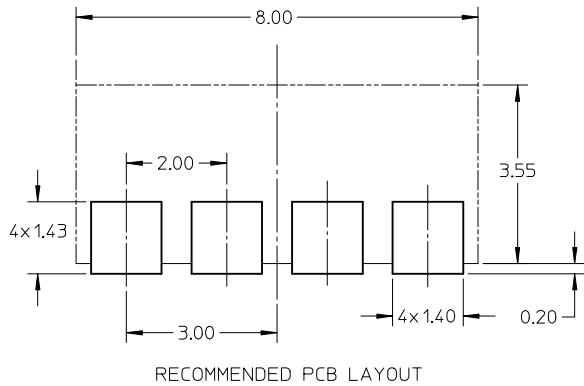
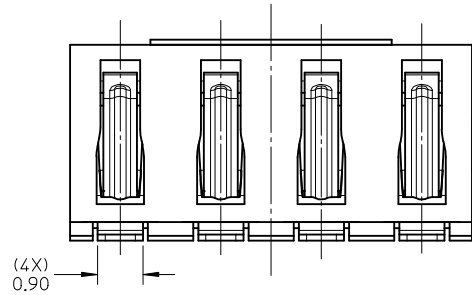
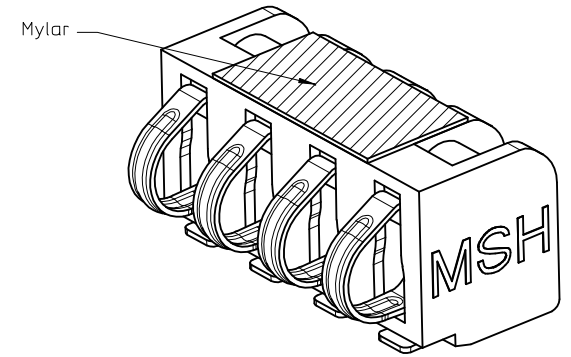


SECTION Z-Z



NOTE:

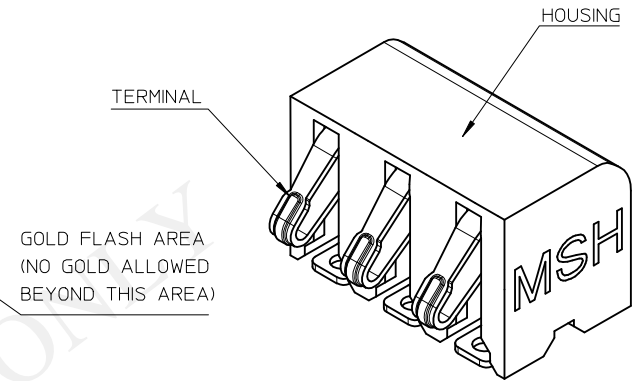
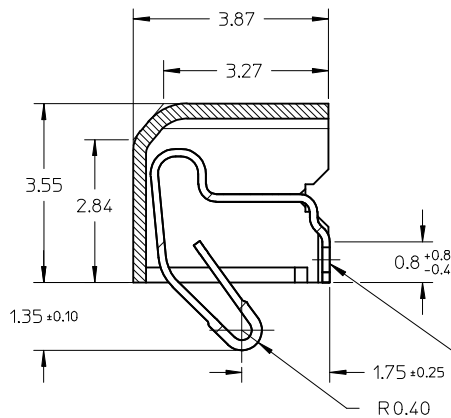
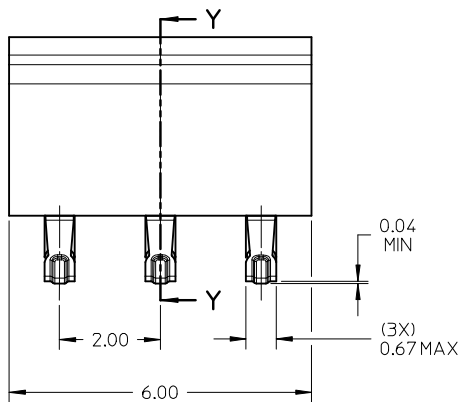
- MATERIAL:
HOUSING: LCP, 30% GLASS-FILLED, UL 94V-0, COLOR IS BLACK
TERMINAL: COPPER ALLOY, 0.12 MM BeCu
- FINISH:
CONTACT AREA: 30-50 MICRO INCHES GOLD PLATING OVER 50-140 MICRO INCHES NICKEL
SOLDER AREA: 3 MICRO MIN GOLD FLASH OVER 50-140 MICRO INCHES NICKEL
REST AREA: 50-140 MICRO INCHES NICKEL
- RECOMMENED WORKING RANGE 1.05 ~ 0.55 MM.
- COPLANARITY: 0.1 MAX AMONG THESE SOLDER TAILS.
- PRODUCT SPECIFICATION: PS-47531-001

475310011	4 PIN BATTERY CONNECTOR WITHOUT MYLAR		
475310001	4 PIN BATTERY CONNECTOR WITH MYLAR		
PART NUMBER	DESCRIPTION		
DIMENSION STYLE	SCALE	DESIGN UNITS	THIRD ANGLE PROJECTION
MM ONLY	10:1	METRIC	

NEW PRODUCT	EC NO: SH2007-0529	DRWN: YLZHU02	2007/02/06	CHKD: XUXIANG	2007/02/06	APPR: JINCHEN	2007/02/15
REV	DESCRIPTION						
A							

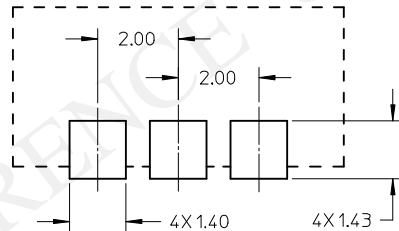
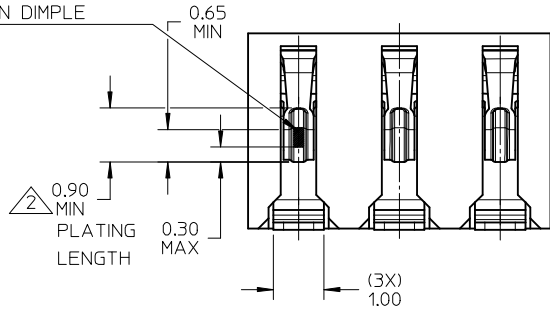
QUALITY SYMBOLS	GENERAL TOLERANCES (UNLESS SPECIFIED)
▽=0	4 PLACES ± --- ± ---
▽=0	3 PLACES ± --- ± ---
	2 PLACES ± 0.15 ± ---
	1 PLACE ± 0.25 ± ---
	ANGULAR ± 5 °
	DRAFT WHERE APPLICABLE MUST REMAIN WITHIN DIMENSIONS

DRAWN BY	DATE	TITLE
YLZHU02	2007/01/30	ASSEMBLY DRAWING
CHECKED BY	DATE	4 PIN BATTERY CONNECTOR
XIXU	2007/01/31	2.0MM PITCH
APPROVED BY	DATE	MOLEX INCORPORATED
JNCHEN	2007/01/31	
MATERIAL NO.	DOCUMENT NO.	SHEET NO.
SEE TABLE	SD-47531-001	1 OF 1
SIZE A3	THIS DRAWING CONTAINS INFORMATION THAT IS PROPRIETARY TO MOLEX INCORPORATED AND SHOULD NOT BE USED WITHOUT WRITTEN PERMISSION	



SECTION Y-Y

CONTACT AREA ON DIMPLE



SCALE 8:1
RECOMMENDED PCB LAYOUT
(DEFAULT TOLERANCE: ±0.05)

NOTES :

1. MATERIAL :

HOUSING: LCP, 30% GLASS FILLED, UL94V-0, COLOR: BLACK
TERMINAL: COPPER ALLOY, 0.15 BECU C17200 290 TM06

2. FINISH :

CONTACT AREA ON DIMPLE : 30 MICRO INCHES MIN GOLD PLATING OVER 50 MICRO INCHES MIN NICKEL.

GOLD FLASH ON PLATING LENGTH
SOLDER AREA : GOLD FLASH OVER 50 MICRO MIN INCHES NICKEL
REST AREA :50 MICRO INCHES MIN NICKEL

3. RECOMMENED WORKING RANGE 1.05~0.55 MM.

4. COPLANARITY : 0.08MAX AMONG THESE SOLDER TAILS.

5. PRODUCT SPECIFICATION : PS-47615-001.

PROPOSED EC NO: SH2013-0331 DRWN:RL109 2012/02/01 CHKD: APPR:RL109 2013/04/10	QUALITY SYMBOLS $F_A=0$ $F_G=0$ $F_P=0$	GENERAL TOLERANCES (UNLESS SPECIFIED)		DIMENSION STYLE MM ONLY		SCALE 10:1	DESIGN UNITS METRIC	THIRD ANGLE PROJECTION		
		mm	INCH	DRAWN BY	DATE	TITLE				
		4 PLACES ± ---	± ---	RL109	2012/02/01	3 CKTS BATTERY CONNECTOR				
		3 PLACES ± ---	± ---	CHECKED BY		DATE		MOLEX INCORPORATED DOCUMENT NO. SD-47615-020 SHEET NO. 1 OF 1		
2 PLACES ± 0.25	± ---	APPROVED BY		DATE		THIS DRAWING CONTAINS INFORMATION THAT IS PROPRIETARY TO MOLEX INCORPORATED AND SHOULD NOT BE USED WITHOUT WRITTEN PERMISSION				
1 PLACE ± 0.25	± ---	RL109		2013/04/10						
ANGULAR ± 3 °		MATERIAL NO. 476150020								
DRAFT WHERE APPLICABLE MUST REMAIN WITHIN DIMENSIONS		SIZE A3								