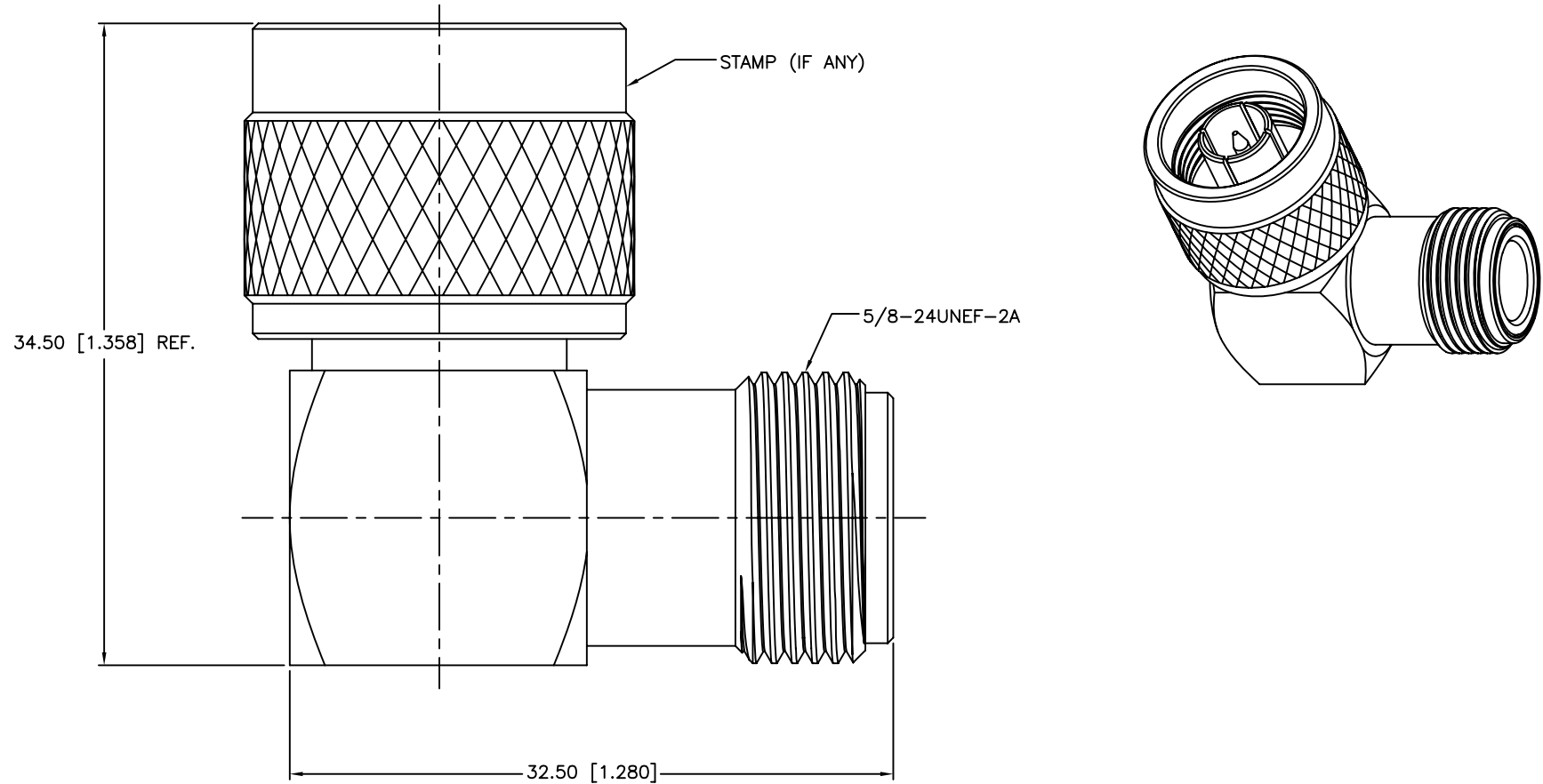


REV.	DATE	ECR NO.	DESCRIPTION
NC	03/16/09	XXXXXX	INITIAL RELEASE
A	11/05/13	2548	UPDATE DRAWING FORMAT, UPDATE VENDOR DRAWING



1. IMPEDANCE: 50 OHM
2. FREQUENCY RANGE: 0-11 GHZ
3. DIELECTRIC WITHSTANDING VOLTAGE: 2500 VRMS, MIN.
4. DURABILITY: 500 CYCLES MIN.
5. TEMPERATURE RANGE: -65°C TO +165°C

9	SHELL	BRASS	NEXCOTE	1	<small>UNLESS OTHERWISE SPECIFIED DIMENSIONS ARE IN MILLIMETERS. DIMENSIONS IN [ ] ARE IN INCHES AND FOR CUSTOMER REFERENCE ONLY. UNLESS OTHERWISE SPECIFIED</small> <small>TOLERANCES FOR MILLIMETERS ARE:</small> <0.5 ± 0.05mm 0.5 - 6mm ± 0.10mm 6 - 30mm ± 0.20mm 30 - 120mm ± 0.30mm ANGLES ± 1° <small>UNLESS OTHERWISE SPECIFIED TOLERANCES FOR INCHES ARE:</small> <.020 ± 0.002" .020 - .236 ± 0.004" .236 - 1.180 ± 0.007" 1.180 - 4.724 ± 0.012" ANGLES ± 1°	APPROVALS	DATE	<h1 style="color: blue;">Amphenol Connex</h1>			
8	GASKET	SILICONE RUBBER	RED	1		DRAWN	M.ZHANG				11/05/13
7	RETAINING RING	SUS 304	NATURAL	1		CHECKED			<b>PART DESCRIPTION</b> N MALE TO FEMALE RIGHT ANGLE ADAPTER		
6	INNER BODY	BRASS	NEXCOTE	1		ISSUED					
5	INSULATOR	PTFE	NATURAL	1		SHEET	1 OF 1		<b>PART NO.</b> 172193		
4	CONTACT BODY	BRASS	NEXCOTE	1		CAD FILE	C:/CONNEX/172193.DWG				
3	INSULATOR	PTFE	NATURAL	1							
2	CONTACT PIN	PHOSPHOR BRONZE	GOLD	1							
1	HOUSING WITH BODY	BRASS	NEXCOTE	1							
	DESCRIPTION	MATERIAL	FINISH	QTY		DO NOT SCALE DRAWING					