

Phoenix Contact Inc.
P.O. BOX 4100
Harrisburg, PA 17111-0100
Phone: 717-944-1300
Fax: 717-944-1625

Product Change Notification

PCN-ICC-1446-2018

Business Unit	Product Line Code	Type of Change	Action	Date of Issue
ICC - Industrial Cabinet	BE2	Product Change Notification	Notify Distributors and Field	3/20/2018

The following Phoenix Contact products have been modified. Existing specifications will be met or exceeded. Please review and acknowledge this document and inform your personnel as needed.

Description for Product Change Notification

PTFIX 1.5 is being completely redesigned. The reason is due to former poor performance in comparison to the PTFIX 2.5 series. The new design of PTFIX 1.5 offers the same opportunities as PTFIX 2.5 in flexibility, modularity, and operability. PTFIX 1.5 and 2.5 now offer a homogeneous performance and "look and feel".

- Change of housing shapes and dimensions.
- Expansion and modification of mounting options
- Integration of new combinability
- Additional new accessories available

Stock Status

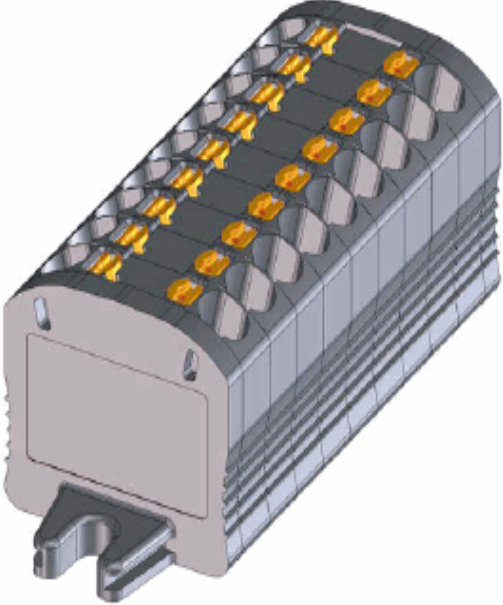

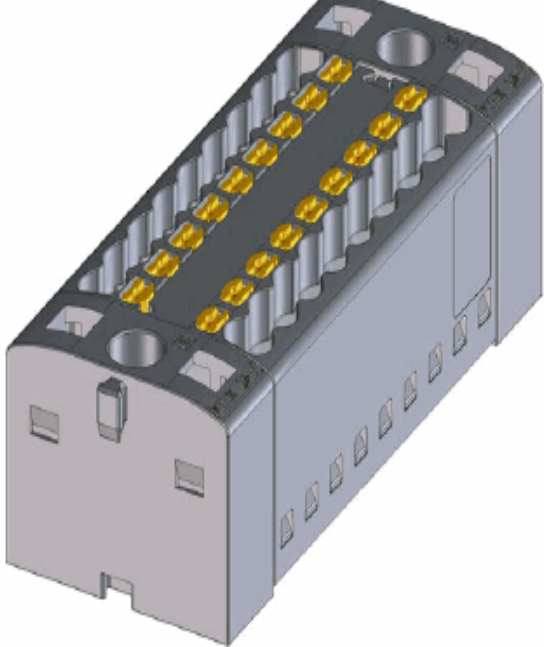
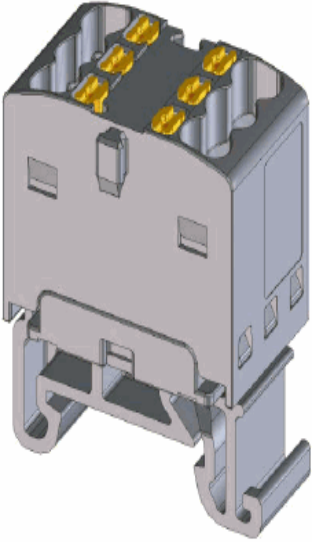
Can existing stock still be used?	Yes
Is mixture of stock acceptable?	No

Transaction Dates

Date modification goes into effect from Germany:	3/13/2018
Expected first shipment (from Phoenix Contact) of the modified products(s):	9/1/2018



Product Change Notification

Previous Product	New Product
  <ul style="list-style-type: none"><li data-bbox="115 1688 651 1724">▪ DIN rail 15 foot moulded in housing	  <ul style="list-style-type: none"><li data-bbox="867 1688 1463 1759">▪ DIN rail 15 foot as accessory, also available as pre-assembled version



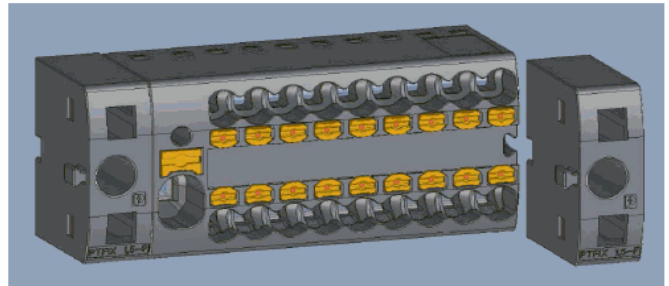
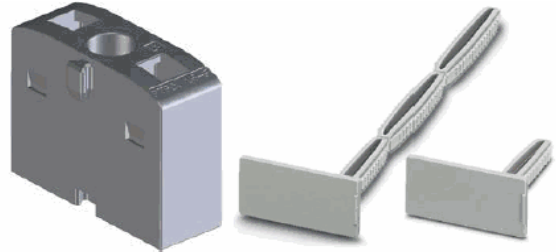
Product Change Notification



- Flange cover (PTFIX 1,5-DF 300316) as a terminating cover accessory



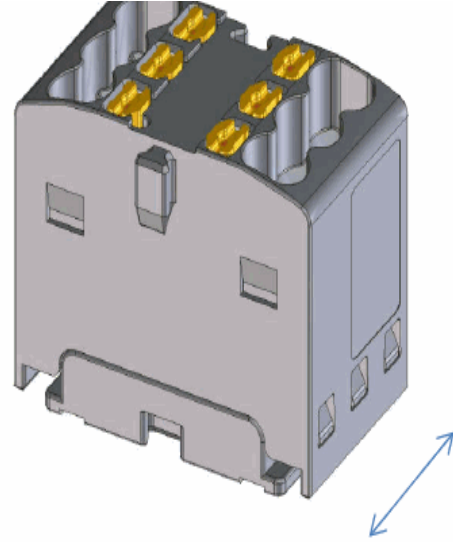
- PTFIX 1,5...-RZ –versions will be discontinued



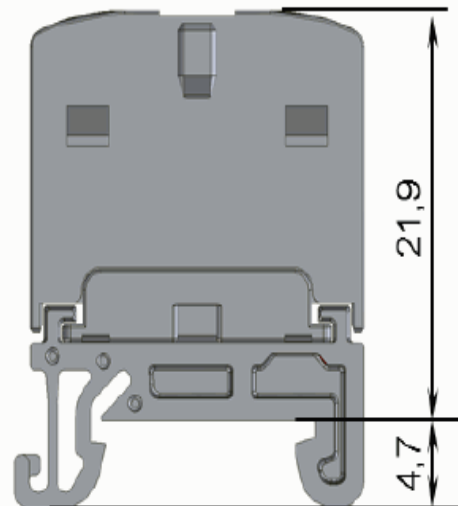
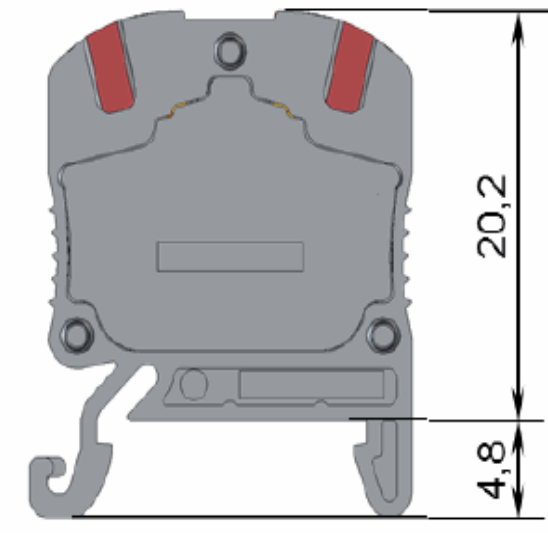
- New flange accessory (PTFIX 1,5-F 1049503) can be placed in between adjacent PTFIX 1,5-blocks
- Option to place marking accessory KLM into square slot



Product Change Notification

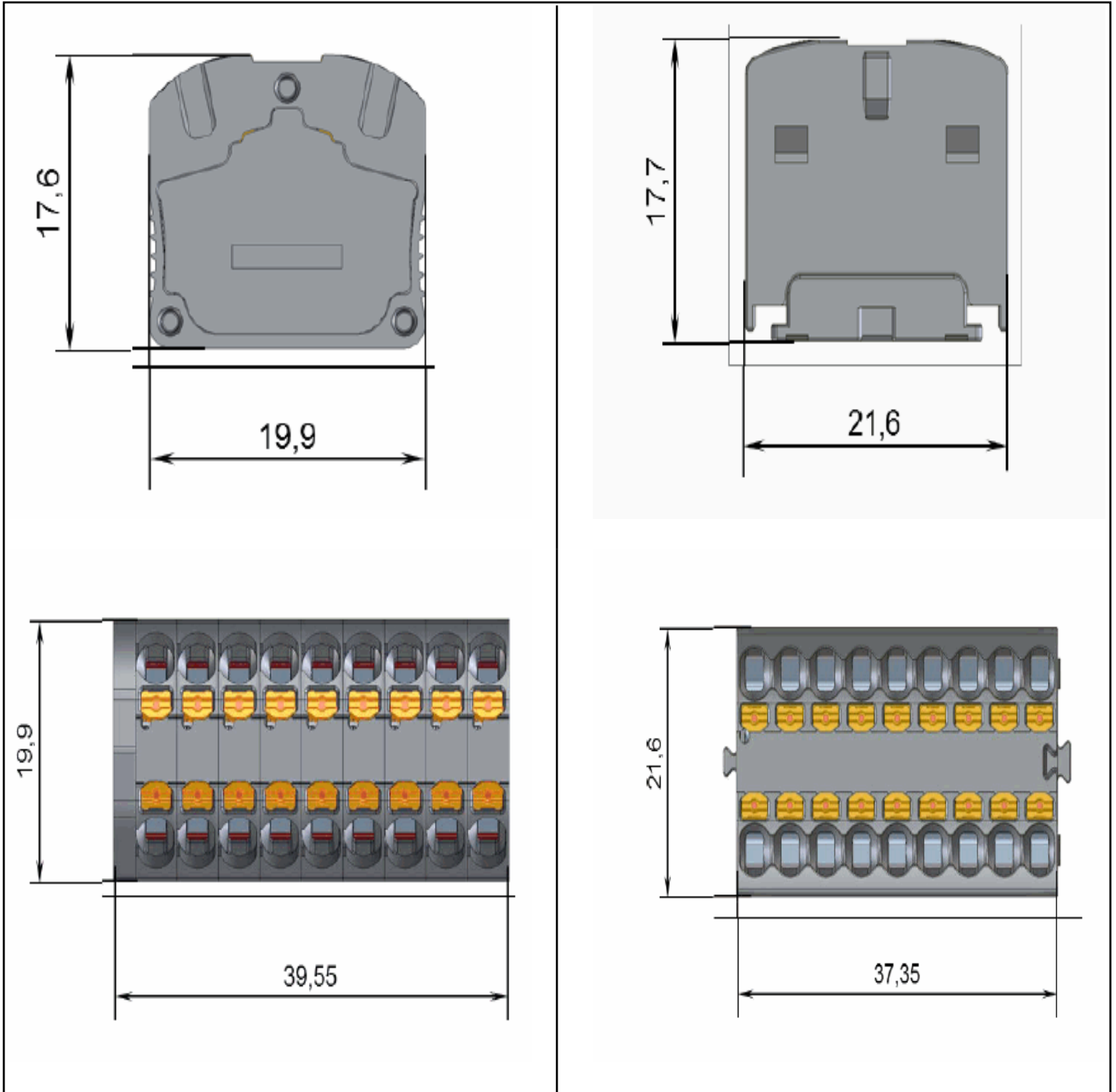


- Width reduced by 2,2mm at all different versions (..X6.., ..X12.., ..X18..)





Product Change Notification

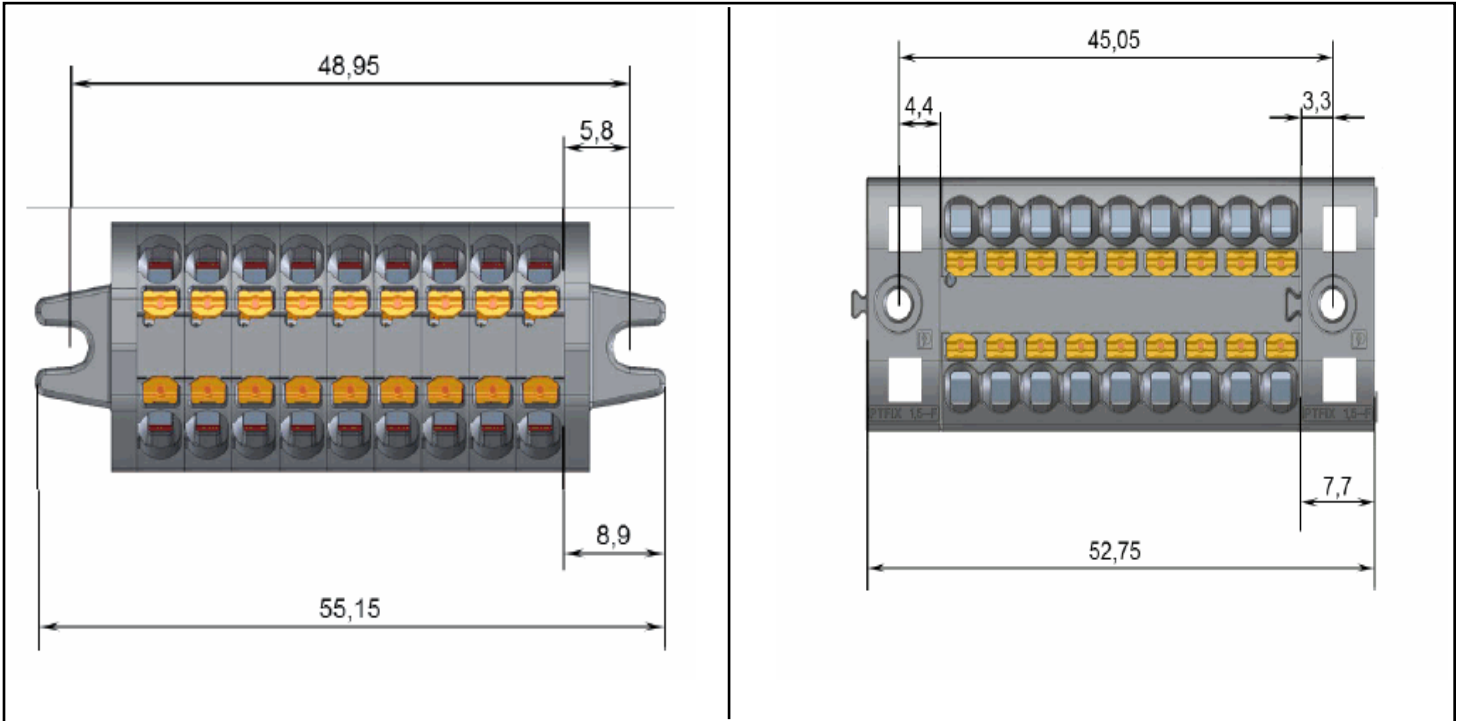




PHOENIX CONTACT
INSPIRING INNOVATIONS

Phoenix Contact Inc.
P.O. BOX 4100
Harrisburg, PA 17111-0100
Phone: 717-944-1300
Fax: 717-944-1625

Product Change Notification



Should you have any issues with the timeline or content of this product change, please contact Phoenix Contact using the information below. Customers should acknowledge receipt of the PCN within 30 days of delivery of the PCN; provided, however, that the failure to acknowledge receipt does not affect the product change or the effective date thereof.

Contact Info:

Cory Myer
cmyer@phoenixcon.com

Thank you,

Alan Sappe
Senior Specialist



Product Change Notification

Part #	Type Description
3002782	PTFIX 12X1,5 BK
3002776	PTFIX 12X1,5 BN
3002763	PTFIX 12X1,5 BU
3002772	PTFIX 12X1,5 GN
3002758	PTFIX 12X1,5 GY
3002793	PTFIX 12X1,5 OG
3002789	PTFIX 12X1,5 PK
3002766	PTFIX 12X1,5 RD
3002785	PTFIX 12X1,5 VT
3002779	PTFIX 12X1,5 WH
3002769	PTFIX 12X1,5 YE
3002796	PTFIX 12X1,5-FE
3002894	PTFIX 12X1,5-G BK
3002888	PTFIX 12X1,5-G BN
3002865	PTFIX 12X1,5-G BU
3002884	PTFIX 12X1,5-G GN
3002799	PTFIX 12X1,5-G GY
3002904	PTFIX 12X1,5-G OG
3002901	PTFIX 12X1,5-G PK
3002878	PTFIX 12X1,5-G RD
3002897	PTFIX 12X1,5-G VT
3002891	PTFIX 12X1,5-G WH
3002881	PTFIX 12X1,5-G YE
3002907	PTFIX 12X1,5-G-FE
3002968	PTFIX 12X1,5-NS15A BK
3002971	PTFIX 12X1,5-NS15A BN
3002922	PTFIX 12X1,5-NS15A BU
3002964	PTFIX 12X1,5-NS15A GN
3002914	PTFIX 12X1,5-NS15A GY
3002949	PTFIX 12X1,5-NS15A OG
3002977	PTFIX 12X1,5-NS15A PK
3002931	PTFIX 12X1,5-NS15A RD
3002974	PTFIX 12X1,5-NS15A VT
3002941	PTFIX 12X1,5-NS15A WH
3002958	PTFIX 12X1,5-NS15A YE
3002981	PTFIX 12X1,5-NS15A-FE
3002783	PTFIX 18X1,5 BK
3002777	PTFIX 18X1,5 BN
3002764	PTFIX 18X1,5 BU
3002773	PTFIX 18X1,5 GN
3002760	PTFIX 18X1,5 GY
3002794	PTFIX 18X1,5 OG
3002790	PTFIX 18X1,5 PK
3002767	PTFIX 18X1,5 RD
3002786	PTFIX 18X1,5 VT
3002780	PTFIX 18X1,5 WH
3002770	PTFIX 18X1,5 YE



Product Change Notification

3002797	PTFIX 18X1,5-FE
3002895	PTFIX 18X1,5-G BK
3002889	PTFIX 18X1,5-G BN
3002876	PTFIX 18X1,5-G BU
3002886	PTFIX 18X1,5-G GN
3002804	PTFIX 18X1,5-G GY
3002905	PTFIX 18X1,5-G OG
3002902	PTFIX 18X1,5-G PK
3002879	PTFIX 18X1,5-G RD
3002899	PTFIX 18X1,5-G VT
3002892	PTFIX 18X1,5-G WH
3002882	PTFIX 18X1,5-G YE
3002909	PTFIX 18X1,5-G-FE
3002969	PTFIX 18X1,5-NS15A BK
3002972	PTFIX 18X1,5-NS15A BN
3002926	PTFIX 18X1,5-NS15A BU
3002965	PTFIX 18X1,5-NS15A GN
3002917	PTFIX 18X1,5-NS15A GY
3002952	PTFIX 18X1,5-NS15A OG
3002978	PTFIX 18X1,5-NS15A PK
3002934	PTFIX 18X1,5-NS15A RD
3002975	PTFIX 18X1,5-NS15A VT
3002944	PTFIX 18X1,5-NS15A WH
3002961	PTFIX 18X1,5-NS15A YE
3002983	PTFIX 18X1,5-NS15A-FE
3002781	PTFIX 6X1,5 BK
3002774	PTFIX 6X1,5 BN
3002761	PTFIX 6X1,5 BU
3002771	PTFIX 6X1,5 GN
3002757	PTFIX 6X1,5 GY
3002792	PTFIX 6X1,5 OG
3002787	PTFIX 6X1,5 PK
3002765	PTFIX 6X1,5 RD
3002784	PTFIX 6X1,5 VT
3002778	PTFIX 6X1,5 WH
3002768	PTFIX 6X1,5 YE
3002795	PTFIX 6X1,5-FE
3002893	PTFIX 6X1,5-G BK
3002887	PTFIX 6X1,5-G BN
3002864	PTFIX 6X1,5-G BU
3002883	PTFIX 6X1,5-G GN
3002798	PTFIX 6X1,5-G GY
3002903	PTFIX 6X1,5-G OG
3002900	PTFIX 6X1,5-G PK
3002877	PTFIX 6X1,5-G RD
3002896	PTFIX 6X1,5-G VT
3002890	PTFIX 6X1,5-G WH
3002880	PTFIX 6X1,5-G YE



Phoenix Contact Inc.
P.O. BOX 4100
Harrisburg, PA 17111-0100
Phone: 717-944-1300
Fax: 717-944-1625

Product Change Notification

3002906	PTFIX 6X1,5-G-FE
3002967	PTFIX 6X1,5-NS15A BK
3002970	PTFIX 6X1,5-NS15A BN
3002919	PTFIX 6X1,5-NS15A BU
3002963	PTFIX 6X1,5-NS15A GN
3002910	PTFIX 6X1,5-NS15A GY
3002946	PTFIX 6X1,5-NS15A OG
3002976	PTFIX 6X1,5-NS15A PK
3002928	PTFIX 6X1,5-NS15A RD
3002973	PTFIX 6X1,5-NS15A VT
3002955	PTFIX 6X1,5-NS15A YE
3002980	PTFIX 6X1,5-NS15A-FE
3003116	PTFIX 1,5-DF
3002996	PTFIX 12X1,5-F BU
3002987	PTFIX 12X1,5-F GY
3003027	PTFIX 12X1,5-F RD
3003039	PTFIX 12X1,5-F WH