

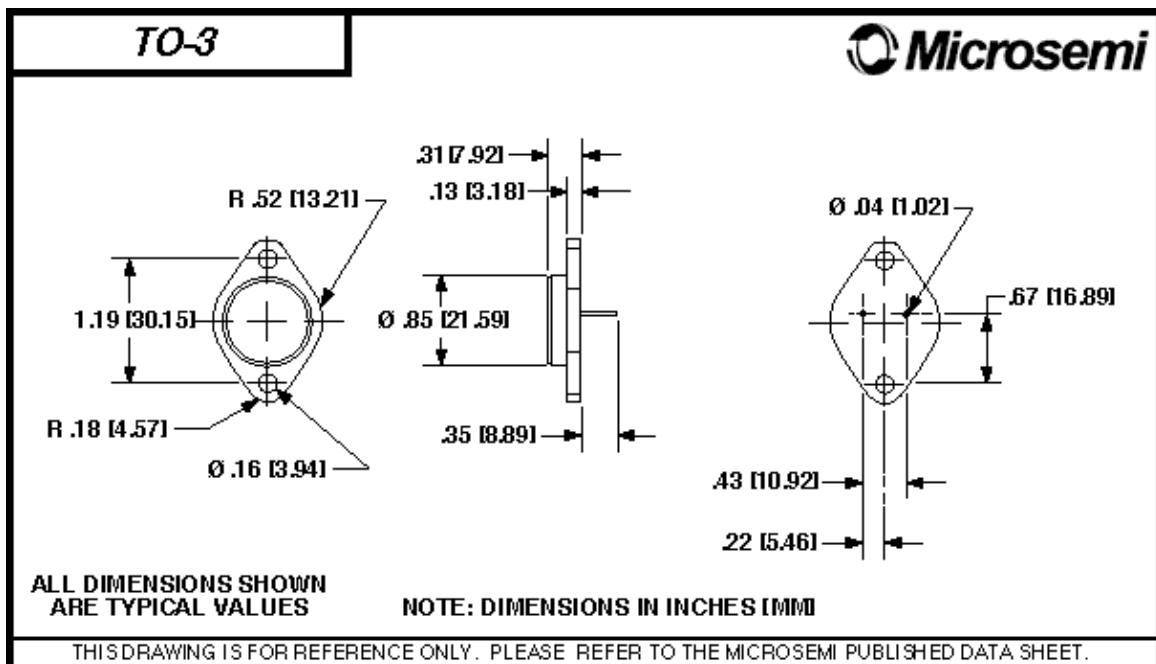
2N6677 (#23627)

Package Carrier: Tray

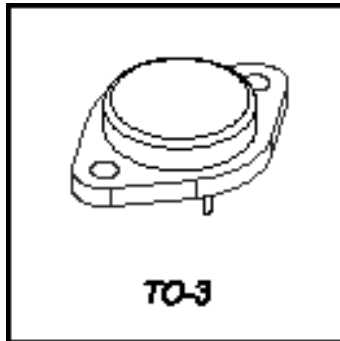
Electrical Rating	Symbol	Min	Typ	Max	Unit
Collector to Emitter Saturation Voltage	$V_{CE(sat)}$			1	V
DC Current Gain	HFE	8			
Maximum Electrical Rating	Symbol	Min	Typ	Max	Unit
Breakdown Voltage, Collector-Base (Emitter O	$V_{BR(CBO)}$			550	V
Collector Current (dc)	I_C			15	A
Collector-Emitter Voltage (Base Open)	V_{CEO}			350	V
Emitter-Base Voltage (Collector Open)	V_{EBO}			8	V
Power Dissipation	P_D			175	W
Alphanumeric Parameter				Value	
Quality Level				-	

Package Name: TO-3

Package Drawing



Package Drawing ISO



Distributor	SKU	Stock	MOQ	Pkg
Digi-Key	2N6677-ND		100	Bulk