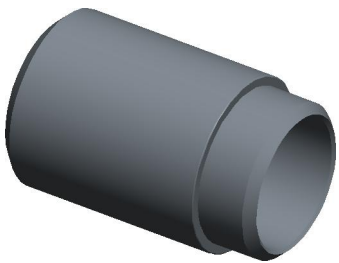
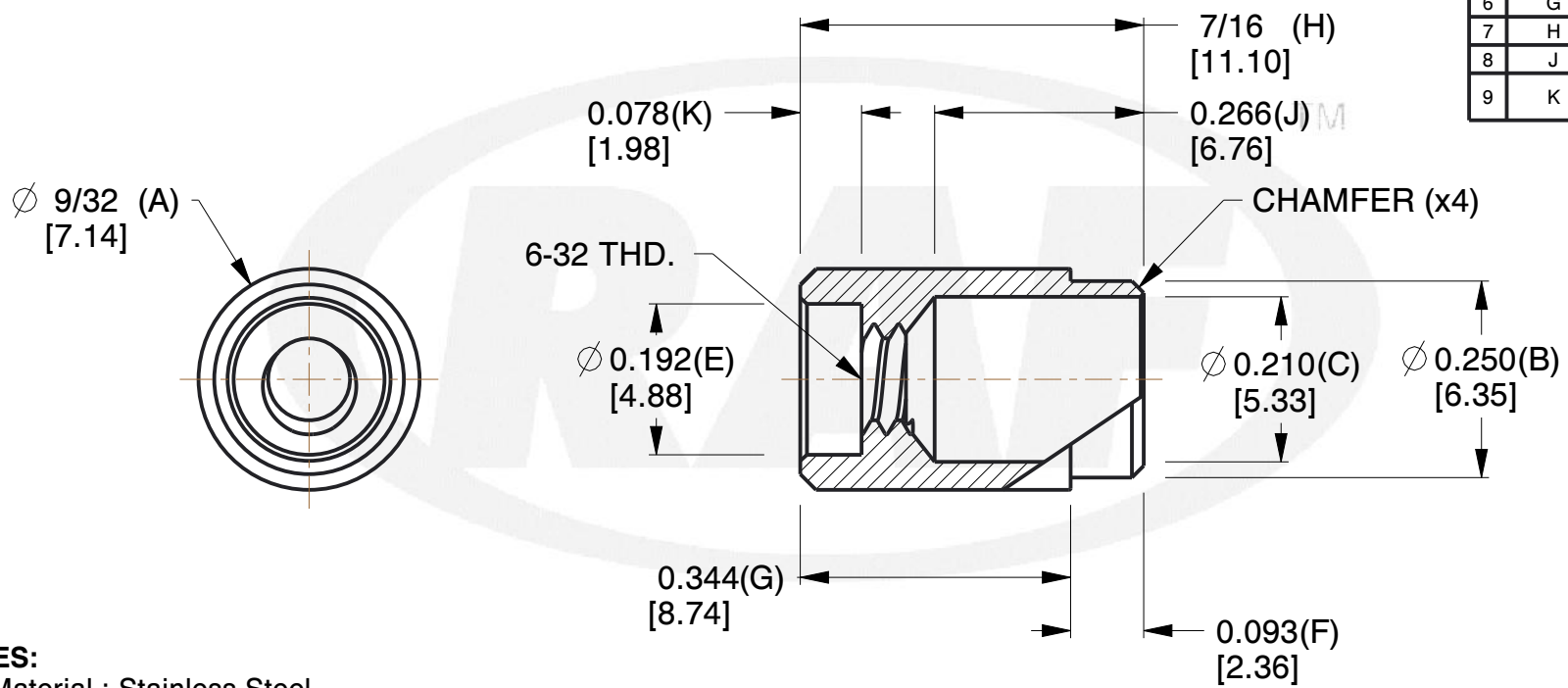


REV	CHANGE	DATE	DRN	CHK
	Drawn	03/06/17	SJ	T



TOLERANCE DETAILS		
1	A	±0.004 [±0.01]
2	B	+0.000 [+0.00] -0.003 [-0.08]
3	C	+0.004 [+0.10] -0.001 [-0.02]
4	E	+0.005 [+0.12] -0.000 [-0.00]
5	F	±0.005 [±0.12]
6	G	±0.005 [±0.12]
7	H	±0.010 [±0.25]
8	J	±0.005 [±0.12]
9	K	+0.010 [+0.25] -0.000 [-0.00]



NOTES:

1. Material : Stainless Steel
2. Finish :
3. ASME Y14.5M - 2009
4. All Drawing Dimensions are in Inches [mm]
5. Unless otherwise specified; Edge Breaks, Radii or Countersinks 0.005-0.015

COMPONENT	PANEL SCREW	SCALE
1026-093-SS		4.18
PANEL SCREW RETAINER		SHEET
STYLE D		1 of 1



95 Silvermine Rd., Seymour CT 06483
Tel: 203-888-2133, Fax: 203-888-9860

This Drawing is the Property of RAF. It contains confidential, proprietary information that is RAF property. Do not disclose to or duplicate for others except as authorized by RAF.

TOLERANCES
ALL DIMENSIONS ARE INCHES (UNLESS OTHERWISE SPECIFIED)
METALLIC
LENGTHS ≤ 6 INCHES $\pm 0.005</math>
LENGTH > 6 INCHES $\pm 0.010</math>
DIAMETERS: $\pm 0.005</math>
NON-METALLIC
LENGTH: $\pm 0.010</math> DIAMETERS: $\pm 0.010</math>
INTERNAL THREADS:
MINIMUM THREAD DEPTH$$$$$