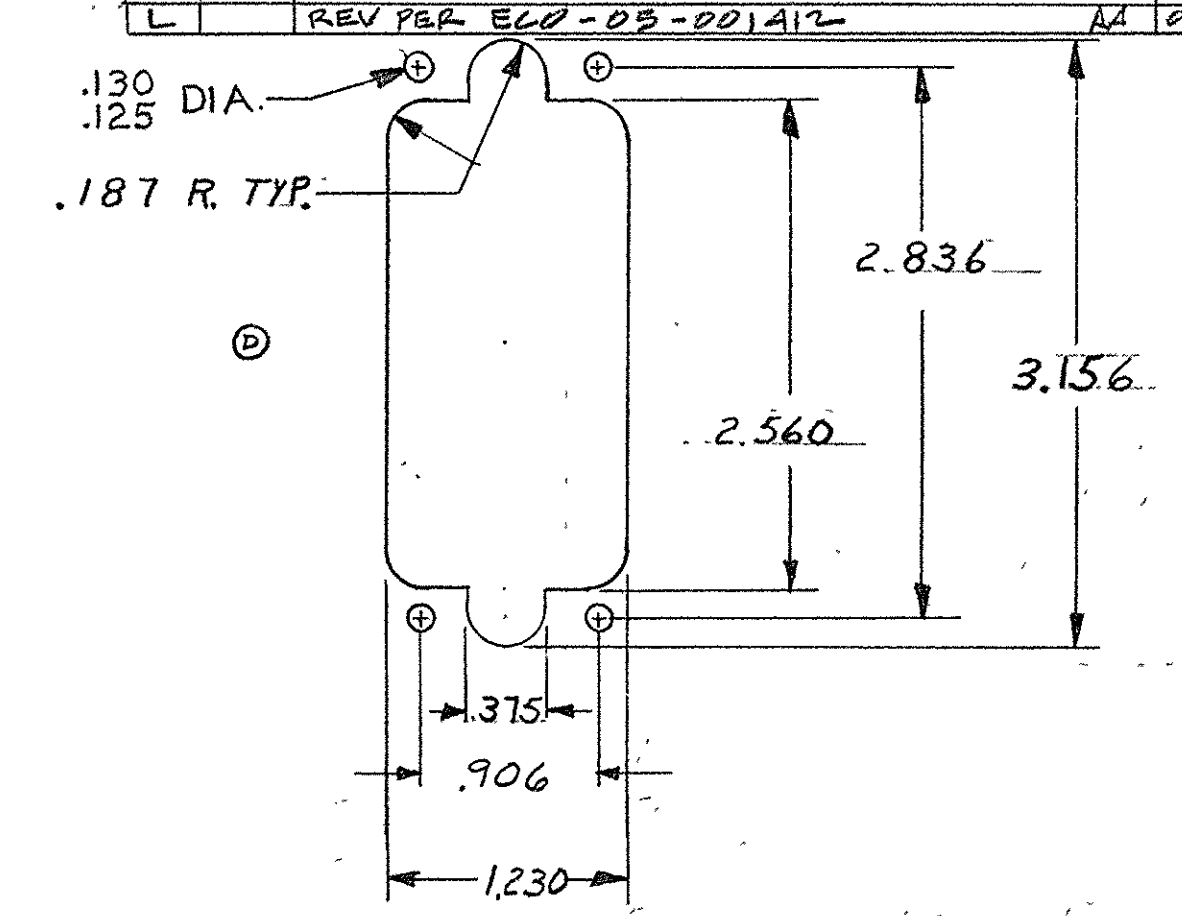
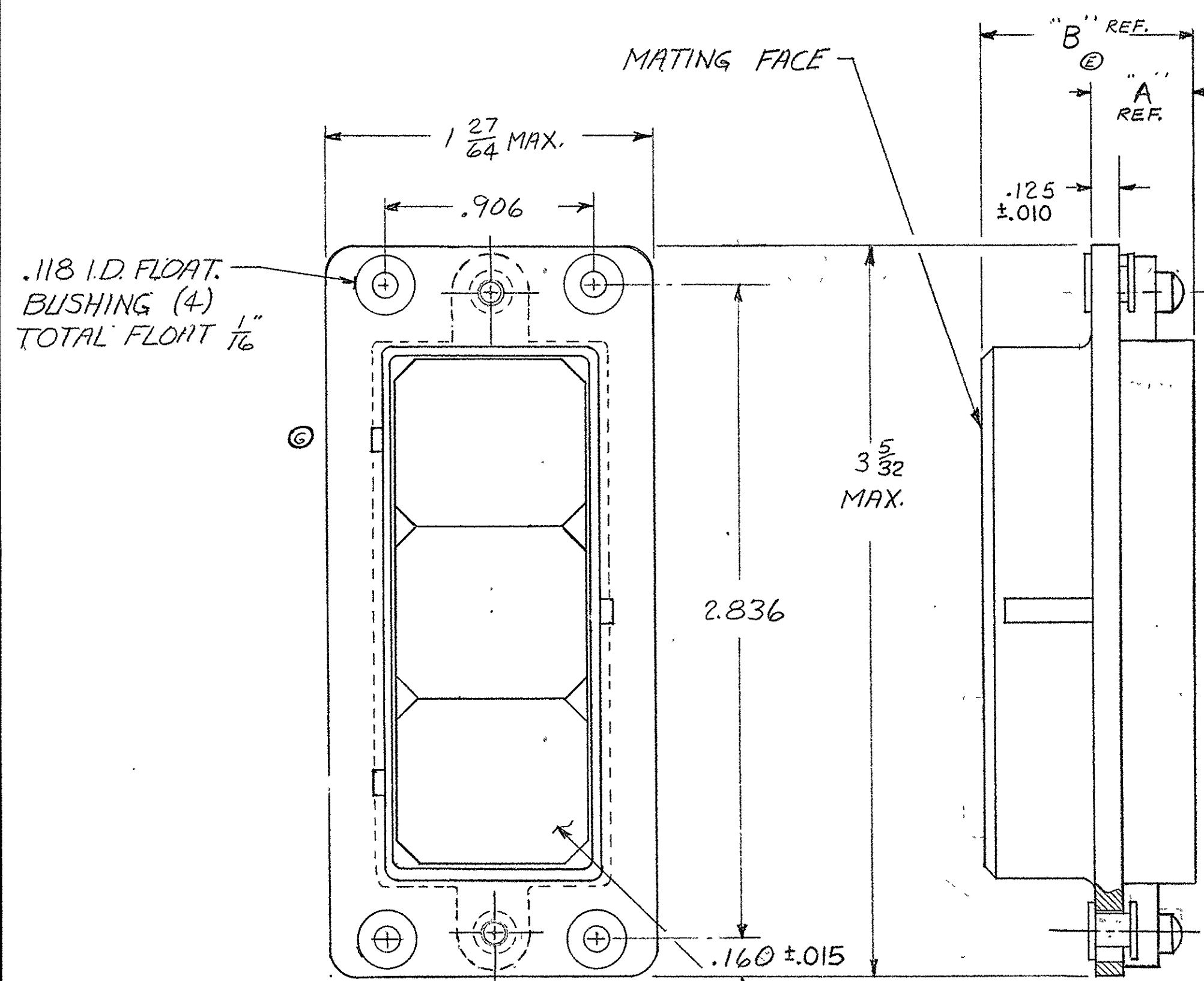


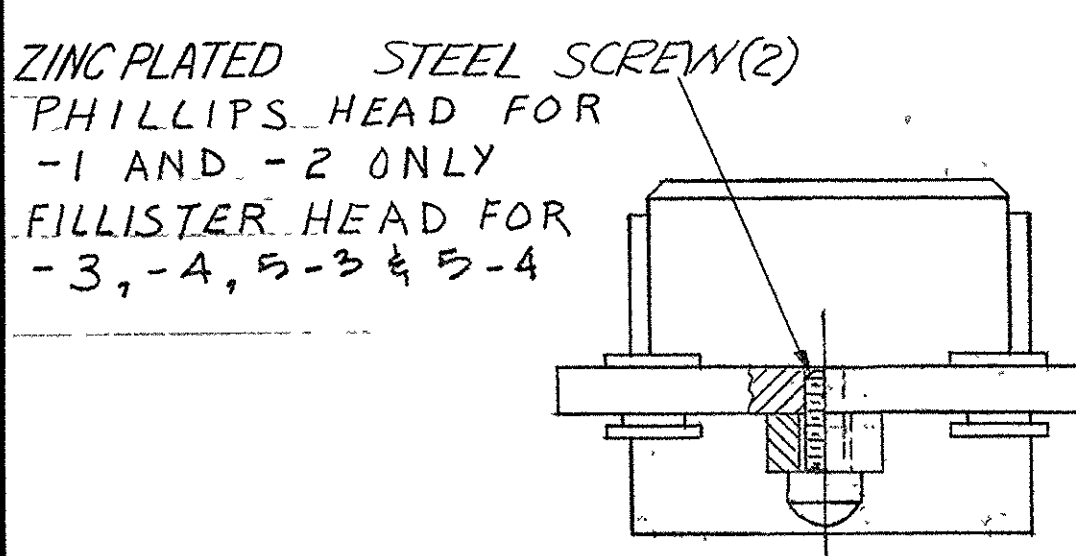
© 1963 BY AMP INCORPORATED. ALL RIGHTS RESERVED. AMP PRODUCTS COVERED BY PATENTS AND/OR PATENTS PENDING.

NUMBER 202283

REVISIONS				REVISIONS				
SYM	DESCRIPTION	DATE	APP	SYM	ZONE	DESCRIPTION	DATE	APPROVAL
M	REV PER ECO-05-005359	11-14-05	Py/DE	O		RELEASED	9-11-63	J.K.
				A		REVISED U-415	12-11-63	J.K.
				B		REVISED U-687	M.S.	2-26-64
				C		REVISED V-146	M.S.	6-30-64
				D		REVISED V-849	M.S.	1-27-65
				E		REVISED W-524 W-421	M.S.	8-2-65
				F		REVISED W-777	M.S.	10-14-65
				G		REVISED Y-296	M.S.	3-22-66
				G1		REV. PER ECN D-644	CG	9-17-75
				H		REV. / ECN H-220	J.P.S.	8-14-80
				J		OBSOLETE - 2 PER ECN H-916	J.P.S.	7-30-81
				K		ADD - 5 & REV. PER ECN R-1135	M.H.	3-21-85
				L		REV PER ECO-05-001412	AA	03/05



QTY	DESCRIPTION	FINISH
5-202283-4	.886 1.416	FINISH: PLATED ELECTROLESS NICKEL PER SAE-AMS-C-2607A - .000400 - .000800 THK (NO INTENTIONAL ADDITIONS OF LEAD OR CADMIUM PER DFE STD 230-700)
5-202283-3	.480 1.010	FINISH: PLATED ELECTROLESS NICKEL PER SAE-AMS-C-2607A - .000400 - .000800 THK (NO INTENTIONAL ADDITIONS OF LEAD OR CADMIUM PER DFE STD 230-700)
ASSY. NO.	"A" "B"	FINISH
202283-1	.480 1.010	ZINC PLATE PER ASTM-B-689 TYPE II CLASS 3 COLORLESS SUPPLEMENTARY CHROMATE (D)
OBSOLETE 2	.480 1.010	OLIVE DRAB ZINC PLATE PER ASTM-B-635 CLASS 3 TYPE II (E)
SUPERSEDED BY 5-202283-3	202283-3 .480 1.010	FINISH SAME AS -1
SUPERSEDED BY 5-202283-4	202283-4 .886 1.416	FINISH SAME AS -1
202283-5	.480 1.010	CADMIUM PLATE W/YELLOW CHROMATE CONVERSION PER QQ-P-416 TYPE II, CLASS 3



AMP INFO LOC PRINT DIST R 39 M	QTY REQD	NOMENCLATURE OR DESCRIPTION	PART OR IDENTIFYING NO
LIST OF MATERIALS OR PARTS LIST			
UNLESS OTHERWISE SPECIFIED DIMENSIONS ARE IN INCHES TOLERANCES ON FRACTIONS DECIMALS ANGLES ± 1/64 ± .005 ± #	SIGNATURE DR <i>D Miller</i> CHK <i>J Kaufman</i> DSGN ENGR <i>J D McPherson</i> APPD	DATE 2-26-63 4-12-63 3-1-63	AMP INCORPORATED HARRISBURG, PENNSYLVANIA
MATERIAL SHELL - DIE CAST ALLUMINUM	HEAT TREAT —	FINISH SEE TABLE	NAME PLUG ASSEMBLY, MODULE @ SERIES "G"
DSGN APPD	OTHER APPD	CODE IDENT NO 00779	SIZE C
		NUMBER 202283	
		SCALE 2-1	WT CALC ACTUAL
			SHEET 1 OF 1

REF 5012-9 REV D