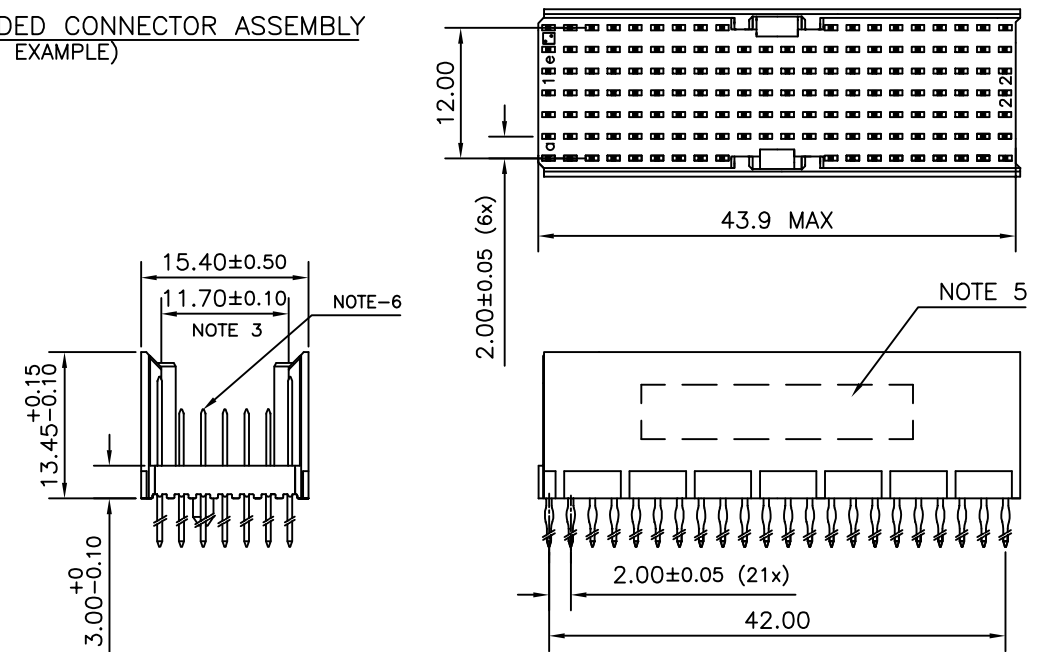


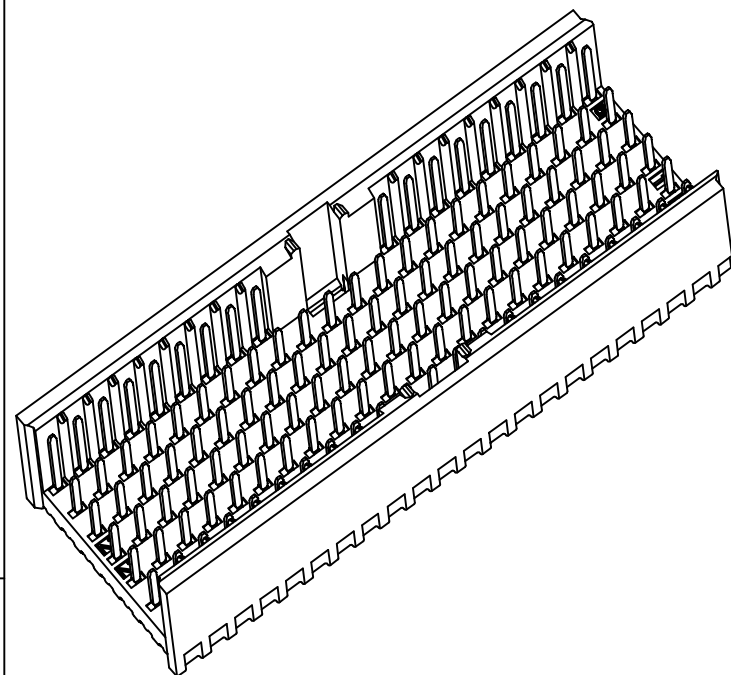
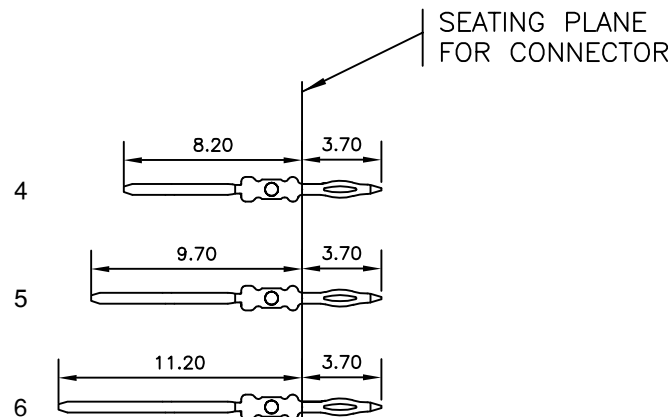
LOADING PATTERN MATING SIDE

f	6	6	6	6	6	6	6	6	6					6	6	6	6	6	6	6	6	6	6	6	6	6	6	6	
e	4	4	4	4	4	4	4	4	4	4	4	4	4	4	4	4	4	4	4	4	4	4	4	4	4	4	4	4	4
d	4	4	4	4	4	4	4	4	4	4	4	4	4	4	4	4	4	4	4	4	4	4	4	4	4	4	4	4	4
c	5	4	4	5	5	5	4	4	4	4	4	4	4	4	4	4	5	5	5	4	4	5	5	5	4	4	5	5	
b	4	4	4	4	4	4	4	4	4	4	4	4	4	4	4	4	4	4	4	4	4	4	4	4	4	4	4	4	4
a	4	4	4	4	4	4	4	4	4	4	4	4	4	4	4	4	4	4	4	4	4	4	4	4	4	4	4	4	4
z	6	6	6	6	6	6	6	6	6					6	6	6	6	6	6	6	6	6	6	6	6	6	6	6	
POS	0	1												1	0														
	1													5															

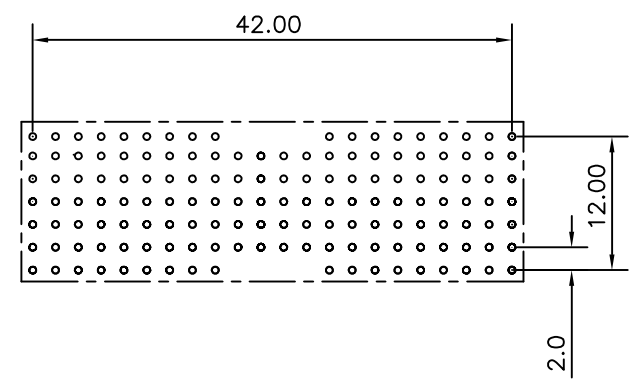
LOADED CONNECTOR ASSEMBLY (FOR EXAMPLE)



CONTACT OVERVIEW



LAY-OUT P.C.B.-HOLE



HM2P68PDT2P1 LEAD FREE INDICATOR : LF = LEAD FREE (DIGIT 15 & 16)  
PLATING CODE (DIGIT 13 AND 14) (REF DRW NO. BS,C , 201844 , 003)

NOTES

- THIS PRODUCT IS CSA APPROVED.
  - THIS PRODUCT IS UL RECOGNIZED.
  - MEASURED AT THE BOTTOM.
  - MATERIAL CONTACT: PHOSPHORBRONZE  
 HOUSING: CREAM WHITE GLASS FILLED POLYESTER UL-94V0
  - CONNECTOR PRINTED WITH P/N AND DATE CODE.
  - FOR ACTUAL CONTACT LOADINGS, SEE LOADING PATTERN MATING SIDE.
  - SHAPE OF CONNECTOR HOUSING CAN ALTER DEPENDING ON PRODUCTION LOCATION
  - THE PRODUCT (LF) MEETS EUROPEAN UNION DIRECTIVES AND OTHER COUNTRY REGULATIONS AS DESCRIBED IN GS-22-008
  - FOR RECOMMENDED PTH DIMENSIONS REFER DRAWING : BS, A , 201572 , 001
- CATALOG NO: HM2P68PDT2P1----

mat'l. code SEE NOTE 4		surface ISO 1302 ✓		tolerance ISO 406 ISO 1101		projection 		product family MILLIPACS	
ltr		ecn no		dr		date		title	
A		106-0017		MINI		2006-02-20		MPACS 5+2R STR HDR CONN TYPE AB 22 POS. (THICK RIB VERSION)	
B		106-0141		MINI		2006-08-08			
				angles		linear		scale	
				0°±1°				MM	
				dr		MINI K VANDANATH		2006-02-20	
				enr		BIJU K PAUL		2006-02-20	
				chr		BIJU K PAUL		2006-08-08	
				appd		BIJU K PAUL		2006-08-08	
sheet index		revision sheet		B		1		dwg no sheet 1 of 1 size <b>BS, C ,203028, 678</b> A3 type Product Customer Drawing	



Copyright FCI