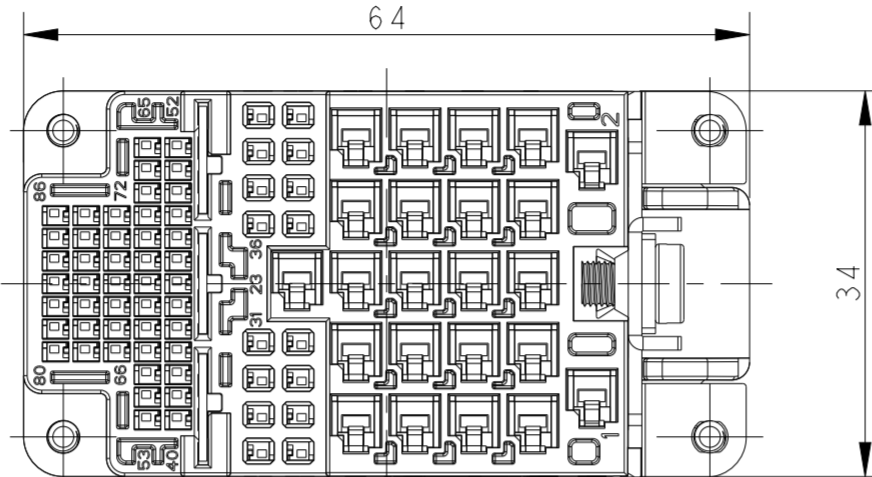
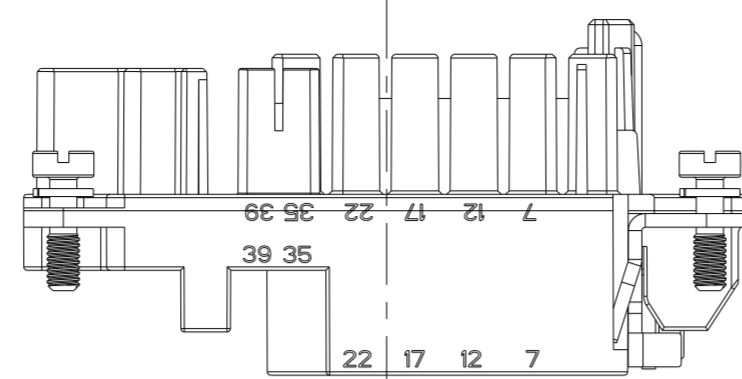
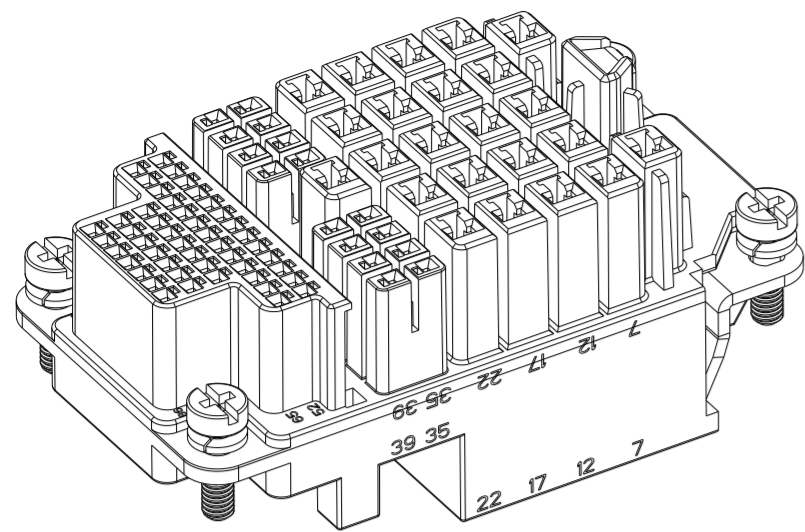
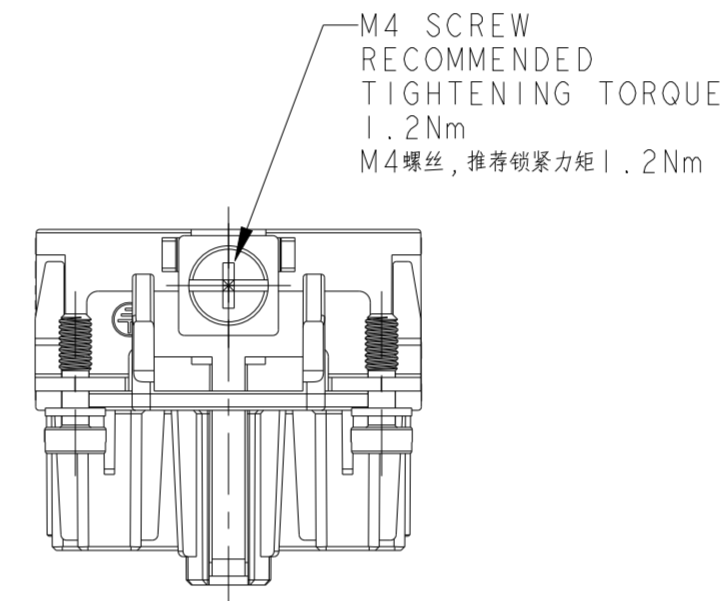
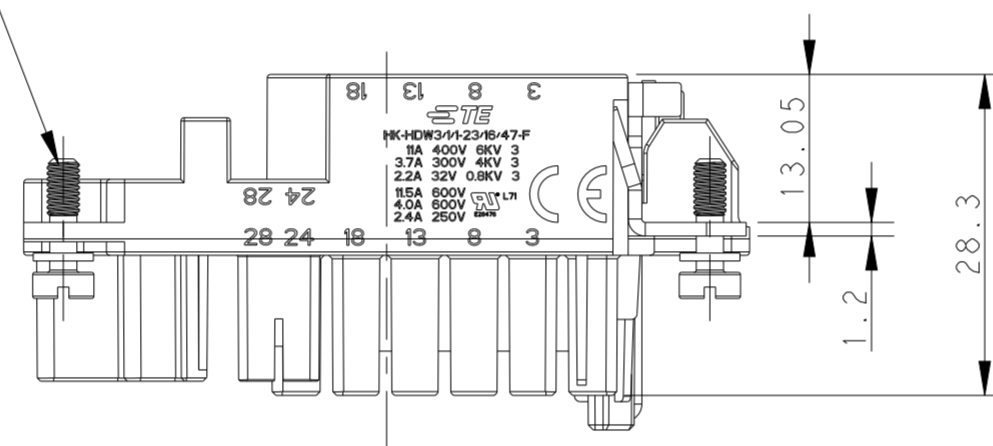
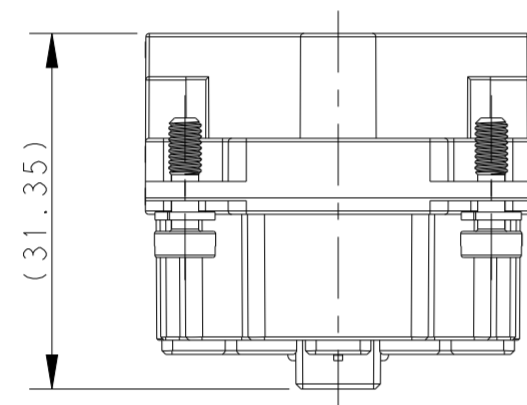


P	LTR	DESCRIPTION	DATE	DWN	APVD
A		INITIAL RELEASE	26DEC2019	DW	CW
A1		ECR-20-005866	09JUL2020	DW	CW
A2		ECR-20-011267	10AUG2020	DW	CW
B		ECR-21-111798	15SEP2021	WOR	CW



4X M3 SCREW, RECOMMENDED TIGHTENING TORQUE 0.5Nm
4X M3螺丝, 推荐锁紧力矩0.5Nm

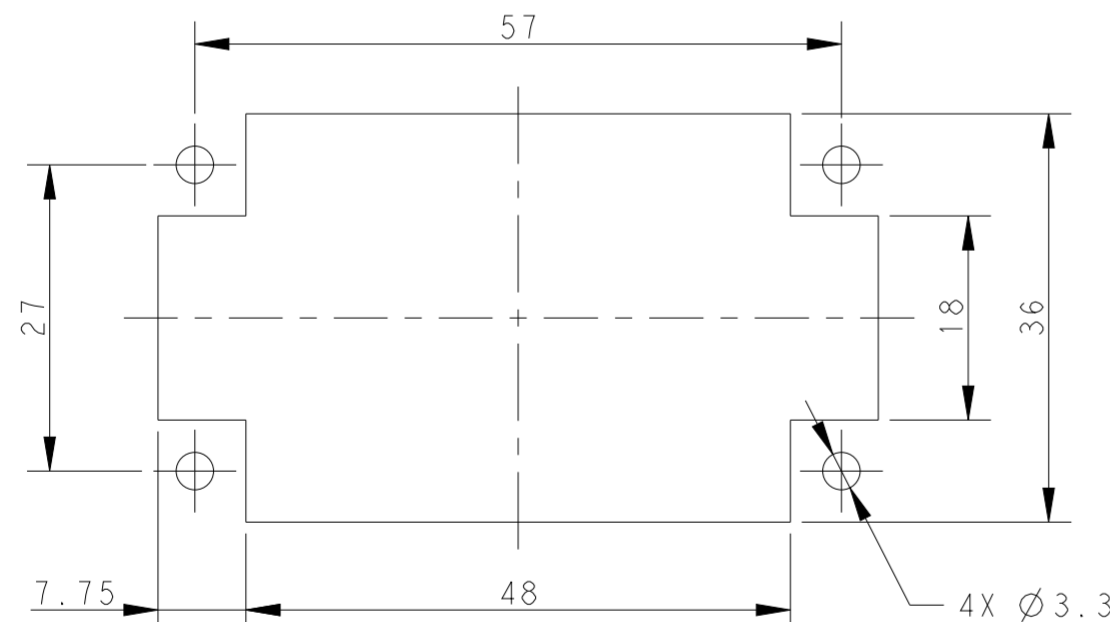


NOTES:

- TECHNICAL CHARACTERISTICS:
INSULATION MATERIAL: PBT, BLACK
RATED VOLTAGE:
POWER(23 POS): 400 V
POWER(16 POS): 300 V
SIGNAL(47 POS): 32 V
RATED CURRENT:
POWER(23 POS): 11 A
POWER(16 POS): 3.7 A
SIGNAL(47 POS): 2.2 A
INSULATION RESISTANCE: $\geq 100M\Omega$
RATED IMPULSE VOLTAGE:
POWER(23 POS): 6 KV
POWER(16 POS): 4 KV
SIGNAL(47 POS): 0.8 KV
POLLUTION DEGREE: 3
FLAMMABILITY: UL94V-0
MATING CYCLES: SEE TABLE 1
OPERATION TEMPERATURE: $-40^{\circ}C \sim +125^{\circ}C$
WIRE RANGE: SEE TABLE 1
CONTACT TYPE: CRIMP CONTACT
CONTACT NEED TO BE ORDERED SEPARATELY.
(ORDER No. REFER TO DRAWING : SEE TABLE 1)

注释:

- 技术参数:
绝缘材料: PBT, 黑色
额定电压: 电源(23 POS): 400 V, 电源(16 POS): 300 V
信号(47 POS): 32 V
额定电流: 电源(23 POS): 11 A, 电源(16 POS): 3.7 A
信号(47 POS): 2.2 A
绝缘电阻: $\geq 100M\Omega$
额定脉冲电压: 电源(23 POS): 6 KV, 电源(16 POS): 4 KV
信号(47 POS): 0.8 KV
污染等级: 3
阻燃等级: UL94V-0
插拔次数: 见表格1
工作温度: $-40^{\circ}C \sim +125^{\circ}C$
接线范围: 见表格1
接线类型: 冷压接
- 端子需要单独订购。
(订货号参考图面: 见表格1)



PANEL CUT OUT FOR INSERTS FOR USING WITHOUT HOODS/HOUSINGS
不使用防护外壳时芯件的安装开孔图

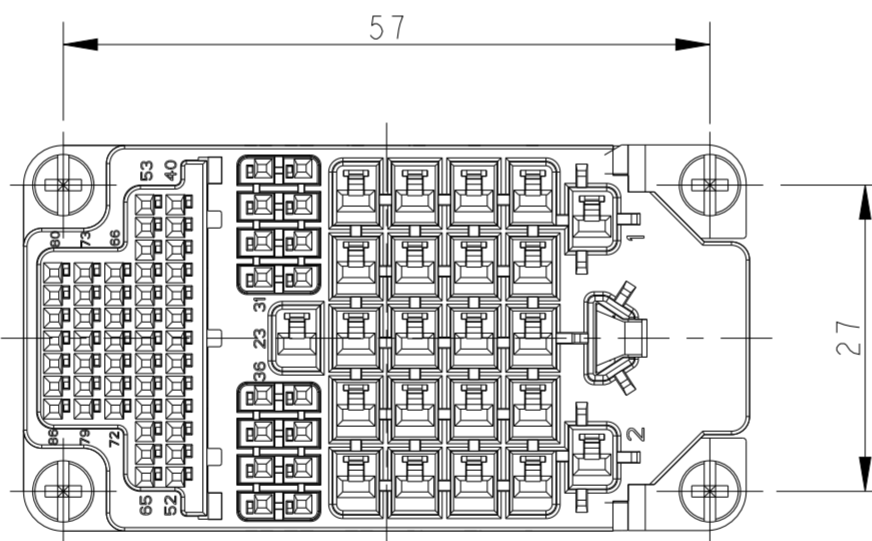


TABLE 1
表格1

SIGNAL (47 POS) 信号(47 POS)	1.08-1.6	AWG28-22, 0.08-0.37SQmm	M	2316670-2	2316671-2	HD1 RECEPTACLE CONTACT	500
	0.6-1.2	AWG30-28, 0.05-0.10SQmm	S	2316670-1	2316671-1		
POWER(16 POS) 电源(16 POS)	1.4-2.2	AWG22-18, 0.34-0.87SQmm	2L	2316670-4	2316671-4		
	1.08-1.9	AWG28-22, 0.08-0.37SQmm	L	2316670-3	2316671-3		
POWER(23 POS) 电源(23 POS)	0.6-1.2	AWG30-28, 0.05-0.10SQmm	S	2316670-1	2316671-1		
	3.1-3.8	AWG16-14, 1.25-2.20SQmm	3L	-	2311162-5		
	3.1-3.4	AWG16-14, 1.25-2.20SQmm	3L	2298107-5	-		
	2.2-2.8	AWG16-14, 1.25-2.20SQmm	2L	2298107-4	2311162-4		
HYBRID TYPE 混合类型	1.8-2.8	AWG20-16, 0.50-1.25SQmm	L	2298107-3	2311162-3		
	1.2-2.6	AWG24-20, 0.20-0.50SQmm	M	2298107-2	2311162-2		
	0.8-1.4	AWG28-24, 0.08-0.20SQmm	S	2298107-1	2311162-1		
	INSULATION RANGE (mm) 电缆绝缘外径范围 (mm)	WIRE RANGE 线规	SIZE 大小	REEL 卷	L/P 散件	DESCRIPTION 端子类型描述	MATING CYCLES 插拔次数
				PART NUMBER			

T2120865201-000		HK-HDW3/1/1-23/16/47-F	HK-HDW3/1/1-23/16/47 FEMALE INSERT HK-HDW3/1/1-23/16/47母插				
PART NUMBER 料号		PART DESCRIPTION 描述					
THIS DRAWING IS A CONTROLLED DOCUMENT.		DWN DAVID WANG 10OCT2019	TE Connectivity				
DIMENSIONS: mm		CHK GINO YAO 10OCT2019					
TOLERANCES UNLESS OTHERWISE SPECIFIED:		APVD CHRIS WANG 10OCT2019					
		NAME HK-HDW3/1/1-23/16/47-F					
MATERIAL		PRODUCT SPEC 108-137458	APPLICATION SPEC 114-137458	SIZE A2	CAGE CODE 00779	DRAWING NO T2120865201000	RESTRICTED TO
FINISH		WEIGHT	CUSTOMER DRAWING	SCALE 3:2	SHEET 1 OF 1	REV B	