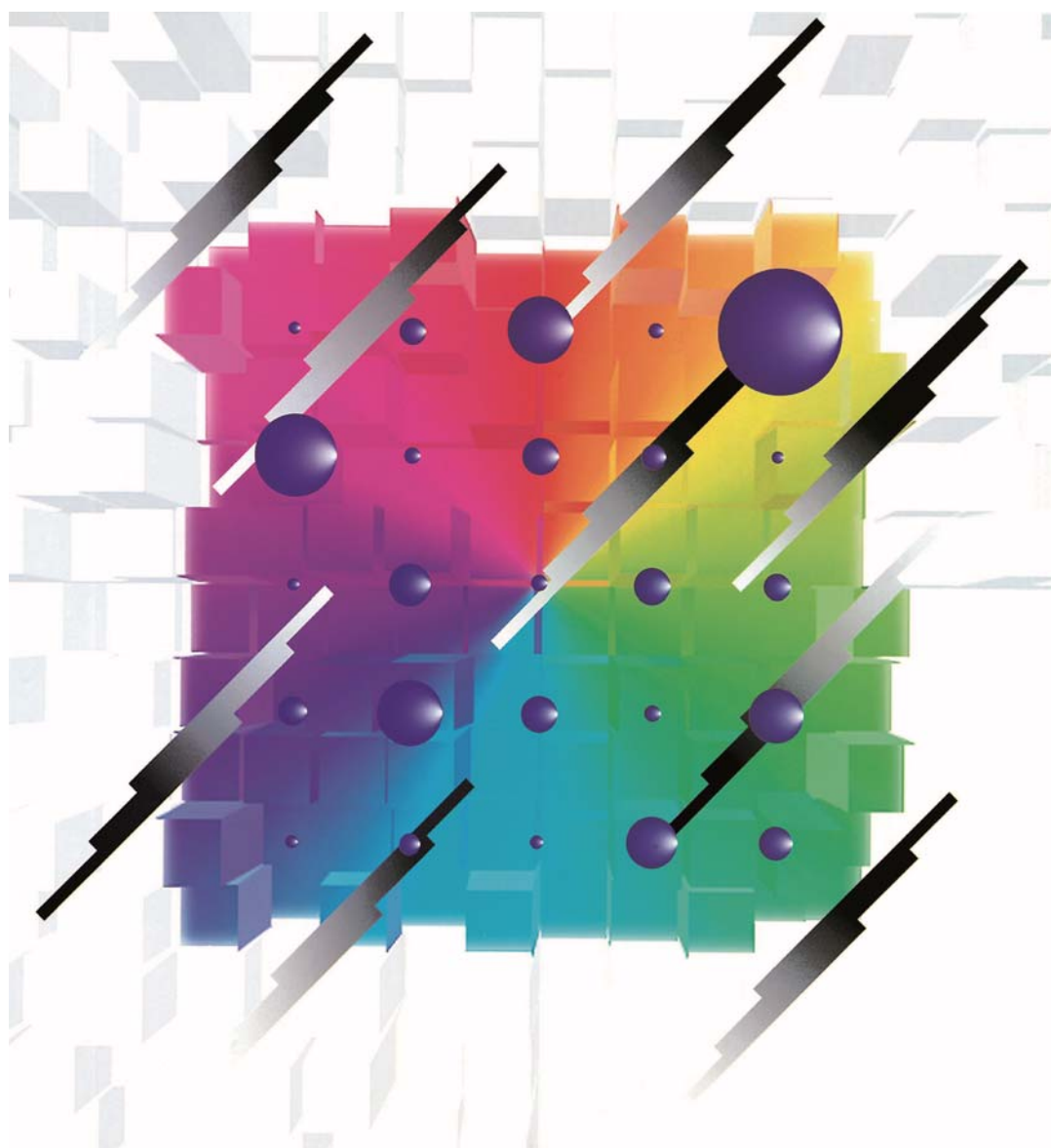


Plastic Film Capacitor

Electronic Equipment Use

AC Motor Use

Automotive, Industrial and Infrastructure Use



Guidelines and precautions regarding the technical information and use of our products described in this online catalog.

- If you want to use our products described in this online catalog for applications requiring special qualities or reliability, or for applications where the failure or malfunction of the products may directly jeopardize human life or potentially cause personal injury (e.g. aircraft and aerospace equipment, traffic and transportation equipment, combustion equipment, medical equipment, accident prevention, anti-crime equipment, and/or safety equipment), it is necessary to verify whether the specifications of our products fit to such applications. Please ensure that you will ask and check with our inquiry desk as to whether the specifications of our products fit to such applications use before you use our products.
- The quality and performance of our products as described in this online catalog only apply to our products when used in isolation. Therefore, please ensure you evaluate and verify our products under the specific circumstances in which our products are assembled in your own products and in which our products will actually be used.
- If you use our products in equipment that requires a high degree of reliability, regardless of the application, it is recommended that you set up protection circuits and redundancy circuits in order to ensure safety of your equipment.
- The products and product specifications described in this online catalog are subject to change for improvement without prior notice. Therefore, please be sure to request and confirm the latest product specifications which explain the specifications of our products in detail, before you finalize the design of your applications, purchase, or use our products.
- The technical information in this online catalog provides examples of our products' typical operations and application circuits. We do not guarantee the non-infringement of third party's intellectual property rights and we do not grant any license, right, or interest in our intellectual property.
- If any of our products, product specifications and/or technical information in this online catalog is to be exported or provided to non-residents, the laws and regulations of the exporting country, especially with regard to security and export control, shall be observed.

<Regarding the Certificate of Compliance with the EU RoHS Directive/REACH Regulations>

- The switchover date for compliance with the RoHS Directive/REACH Regulations varies depending on the part number or series of our products.
- When you use the inventory of our products for which it is unclear whether those products are compliant with the RoHS Directive/REACH Regulation, please select "Sales Inquiry" in the website inquiry form and contact us.

We do not take any responsibility for the use of our products outside the scope of the specifications, descriptions, guidelines and precautions described in this online catalog.

Electronic Equipment Use

Dielectric	Series
Stacked Metallized PPS Film Chip Capacitor	ECHU (X)
	ECHU (C)
Stacked Metallized PEN Film Chip Capacitor	ECWU (X)
	ECWU (C)
	ECWU (V16)
Stacked Metallized Plastic Film Chip Capacitor	ECPU (A)
Metallized Polyester Film Capacitor	ECQE (F)
	ECQE (B)
	ECQE (T)
Metallized Polypropylene Film Capacitor	ECWF (L)
	ECWF (A)
	<small>UPGRADE</small> ECWFD
	<small>UPGRADE</small> ECWFE
	ECWH (V)
	ECWH (A)
	ECWH (C)
	TMF
Metallized Polypropylene Film Capacitor	ECQUA
Metallized Polyester Film Capacitor	ECQUL
	ECQUG

AC Motor Use

Dielectric	Series
Film Capacitor for AC Motor	AMF
	DMF
	PMF/SMF

Automotive, Industrial and Infrastructure Use

Dielectric	Series
Metallized Polyester Film Capacitor for Noise Suppression of Automobile	ECQE
Metallized Polypropylene Film Capacitor	<small>UPGRADE</small> ECWFG
Metallized Polypropylene Film Capacitor	ECQUA (Automotive)
DC-Link Film Capacitor	Type1
Metallized Polypropylene Film Capacitor	EZPE
	EZPE (Low profile)
	<small>UPGRADE</small> EZPQ




Electronic Equipment Use

	Dielectric	Series	Appearance	Operating Temp*	Rating	Structure·Feature	Application	
Stacked Metallized Film Chip Capacitor	Stacked Metallized PPS Film Chip Capacitor	ECHU(X)		-55 °C to +125 °C	0.00010 μF to 0.22 μF 16 V.DC, 50 V.DC	<ul style="list-style-type: none"> ● Non-inductive, Stacked ● Tight C-Tol. ● Reflow soldering 	<ul style="list-style-type: none"> ● High density mounting 	
	Chip Capacitor	ECHU(C)		-55 °C to +105 °C	0.010 μF to 0.22 μF 100 V.DC	<ul style="list-style-type: none"> ● Non-inductive, Stacked ● Tight C-Tol. ● Reflow soldering 	<ul style="list-style-type: none"> ● High density mounting ● Resonance circuit for LCD B/L inverter unit 	
	Stacked Metallized PEN Film Chip Capacitor		ECWU(X)		-55 °C to +105 °C	0.0010 μF to 0.010 μF 100 V.DC	<ul style="list-style-type: none"> ● Non-inductive ● Reflow soldering 	<ul style="list-style-type: none"> ● High density mounting
			ECWU(C)		-55 °C to +125 °C	0.0010 μF to 1.0 μF 100 V.DC to 630 V.DC	<ul style="list-style-type: none"> ● Non-inductive ● Reflow soldering 	<ul style="list-style-type: none"> ● Ringer circuit telephone PBX ● DC Blocking for xDSL
			ECWU(V16)		-55 °C to +85 °C	0.0010 μF to 0.12 μF 250 V.DC	<ul style="list-style-type: none"> ● Non-inductive ● Reflow soldering 	<ul style="list-style-type: none"> ● Ringer circuit telephone PBX ● DC Blocking for xDSL
	Stacked Metallized Plastic Film Chip Capacitor	ECP(A)		-40 °C to +85 °C	0.10 μF to 1.0 μF 16 V.DC	<ul style="list-style-type: none"> ● Non-inductive ● Reflow soldering 	<ul style="list-style-type: none"> ● Noise suppressor ● Audio circuit 	
Metallized Type	Metallized Polyester Film Capacitor	ECQE(F)		-40 °C to +105 °C	0.0010 μF to 10 μF 100 V.DC to 1250 V.DC, 125 V.AC, 250 V.AC	<ul style="list-style-type: none"> ● Epoxy resin coating ● Wide capacitance range 	<ul style="list-style-type: none"> ● General purpose ● Noise suppressor 	
		ECQE(B)		-40 °C to +105 °C	0.010 μF to 4.7 μF 250 V.DC 125 V.AC	<ul style="list-style-type: none"> ● Epoxy resin coating ● Miniaturization of ECQE(F) type 	<ul style="list-style-type: none"> ● General purpose ● Noise suppressor 	
		ECQE(T)		-40 °C to +105 °C	0.010 μF to 10 μF 250 V.DC to 630 V.DC 125 V.AC, 250 V.AC	<ul style="list-style-type: none"> ● Epoxy resin coating ● Excellent moisture resistance 	<ul style="list-style-type: none"> ● Electric circuit of high humidity equipment 	
	Metallized Polypropylene Film Capacitor	ECWF(L)		-40 °C to +105 °C	0.010 μF to 2.4 μF 400 V.DC, 630 V.DC	<ul style="list-style-type: none"> ● Epoxy resin coating ● Low D.F ● Excellent moisture resistance 	<ul style="list-style-type: none"> ● High frequency high current circuit 	
		ECWF(A)		-40 °C to +105 °C	0.10 μF to 6.8 μF 250 V.DC to 630 V.DC	<ul style="list-style-type: none"> ● Miniaturization of ECWF(L) type ● Low D.F 	<ul style="list-style-type: none"> ● Active filtering circuit ● High frequency high current circuit 	
		UPGRADE ECWFD		-40 °C to +110 °C	0.1 μF to 4.7 μF 450 V.DC	<ul style="list-style-type: none"> ● Epoxy resin coating ● Low D.F ● Miniaturization of ECWF(A) type 	<ul style="list-style-type: none"> ● Active fi ltering circuit ● High frequency high current circuit 	
				-40 °C to +105 °C	0.01 μF to 4.7 μF 630 V.DC			
		UPGRADE ECWFE		-40 °C to +105 °C	0.10 μF to 4.7 μF 450 V.DC, 630 V.DC	<ul style="list-style-type: none"> ● Box type ● Low D.F 	<ul style="list-style-type: none"> ● Active fi ltering circuit ● High frequency high current circuit 	
		ECWH(V)		-40 °C to +105 °C	0.0010 μF to 0.10 μF 1000 V.DC to 2000 V.DC	<ul style="list-style-type: none"> ● Epoxy resin coating ● Low D.F ● Small in size 	<ul style="list-style-type: none"> ● High frequency high current circuit 	
		ECWH(A)		-40 °C to +105 °C	0.0010 μF to 0.047 μF 800 V.DC, 1600 V.DC	<ul style="list-style-type: none"> ● Epoxy resin coating ● Low D.F ● Miniaturization of ECWH(V) type 	<ul style="list-style-type: none"> ● General resonance circuit 	
	ECWH(C)		-40 °C to +105 °C (+85 °C)	0.0024 μF to 0.33 μF 630 V.DC to 3000 V.DC	<ul style="list-style-type: none"> ● Epoxy resin coating ● Low D.F 	<ul style="list-style-type: none"> ● General resonance circuit ● Microwave oven ● IH resonance circuit 		
	TMF		-25 °C to +85 °C	(Smoothing circuit) 1 μF to 10 μF 150 V.AC to 220 V.AC 350 V.DC to 630 V.DC (Resonance circuit) 0.01 μF to 4.0 μF 300 V.AC to 2300 V.AC 500 V.DC to 1200 V.DC	<ul style="list-style-type: none"> ● Wide voltage range up to 2300 V.AC ● High frequency and high current capability ● Low loss/Low ESR ● Long life time / High reliability ● Flame retardant 	<ul style="list-style-type: none"> ● General resonance and smoothing circuits for IH and Industry 		
	Interference Suppressors (Safety standard approval capacitors)	Metallized Polypropylene Film Capacitor	ECQUA		-40 °C to +110 °C	0.10 μF to 4.7 μF 275 V.AC	<ul style="list-style-type: none"> ● Box type ● UL, CSA, VDE Approved (ClassX2) 	Worldwide <ul style="list-style-type: none"> ● Noise suppressor for AC line
Metallized Polyester Film Capacitor		ECQUL		-40 °C to +100 °C	0.0010 μF to 2.2 μF 275 V.AC(250 V.AC)	<ul style="list-style-type: none"> ● Box type ● UL, CSA, VDE Approved (ClassX2/Y2) 	Worldwide <ul style="list-style-type: none"> ● Noise suppressor for AC line 	
		ECQUG		-40 °C to +100 °C	0.010 μF to 1.0 μF 300 V.AC(250 V.AC)	<ul style="list-style-type: none"> ● Equipped with a safety mechanism ● UL, CSA, VDE, ENEC Approved (ClassX1) 	Worldwide <ul style="list-style-type: none"> ● Noise suppressor for AC line 	








* Operating temp. : Including temperature-rise on unit surface.

* Refer to each product page for details.

AC Motor Use

Dielectric	Series	Appearance	Operating Temp*	Rating	Structure·Feature	Application
Film Capacitor for AC Motor	AMF		-25 °C to +70 °C	10 μF to 40 μF 180 V.AC to 440 V.AC	<ul style="list-style-type: none"> ● High safety (with safety function) ● High reliability ● Small size, lightness, and low loss 	● Motor and compressor (for running)
	DMF		-25 °C to +70 °C	10 μF to 60 μF 180 V.AC to 450 V.AC	<ul style="list-style-type: none"> ● High safety (with safety device) ● High reliability, safety standard approval ● Small size, lightness, and low loss 	● Motor and compressor (for running)
	PMF/SMF		-25 °C to +70 °C	0.5 μF to 65 μF 150 V.AC to 500 V.AC	<ul style="list-style-type: none"> ● High safety (with safety function) ● High reliability, safety standard approval ● Small size, lightness, and low loss 	● Motor and small compressor (for running)

Automotive, Industrial and Infrastructure Use

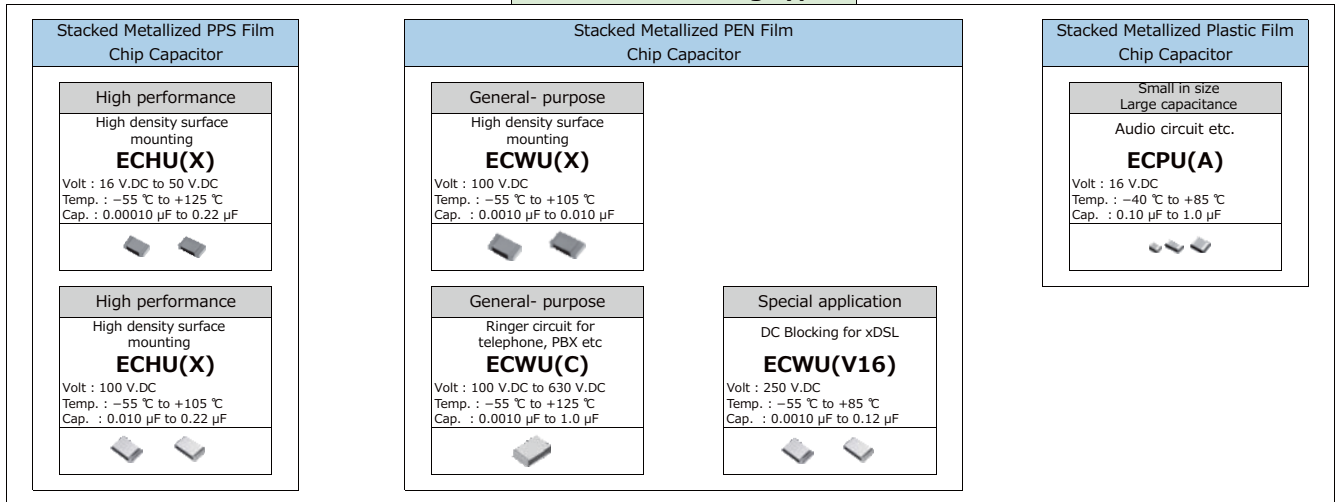
Dielectric	Series	Appearance	Operating Temp*	Rating	Structure·Feature	Application
Metallized Polyester Film Capacitor for Noise Suppression of Automobile	ECQE		-40 °C to +130 °C	0.47 μF, 2.2 μF, 4.7 μF 250 V.DC	● Box type	● Noise suppressor for automobile
Metallized Polypropylene Film Capacitors	UPGRADE ECWFG		-40 °C to +110 °C	1.0 μF to 5.0 μF 630 V.DC, 1100 V.DC	<ul style="list-style-type: none"> ● AEC-Q200 compliant ● High safety (with safety function) ● Excellent moisture resistance ● High thermal shock resistance 	<ul style="list-style-type: none"> ● xEV charging circuit ● DC/DC, AC/DC converter (smoothing, PFC)
Metallized Polypropylene Film Capacitors	ECQUA		-40 °C to +110 °C	0.1 μF to 4.7 μF 275 V.AC	<ul style="list-style-type: none"> ● AEC-Q200 compliant ● High safety (with safety function) ● Excellent moisture resistance ● High thermal shock resistance 	<ul style="list-style-type: none"> ● xEV charging circuit ● AC/DC converter (Noise suppression)
DC-Link Film Capacitor	Type1		-40 °C to +105 °C	581 μF 450 V.DC	<ul style="list-style-type: none"> ● High safety, Self-healing and Self-protecting function built in. ● No catastrophic failure upon natural end of life due to inbuilt fuse function. 	● Any automotive and /or other application requiring DC Linkage
Metallized Polypropylene Film Capacitors	EZPE		-40 °C to +85 °C	10 μF to 110 μF 500 V.DC to 1300 V.DC	<ul style="list-style-type: none"> ● High safety (with safety function) ● Long product life, High reliability ● Low loss, Low ESR ● Flame retardant 	<ul style="list-style-type: none"> ● DC filtering ● DC link circuit
	EZPE (Low profile type)		-40 °C to +85 °C	29 μF : 450 V.DC 66 μF : 525 V.DC 12 μF : 575 V.DC 10 μF : 630 V.DC	<ul style="list-style-type: none"> ● High safety (with safety function) ● Long product life, High reliability, High moisture resistance ● Low loss, Low ESR ● Flame retardant 	<ul style="list-style-type: none"> ● Solar inverters, Micro inverters ● Wind power generation ● Industrial power supplies ● Inverter circuit in appliances (Air Conditioners etc.)
	UPGRADE EZPQ		-40 °C to +85 °C	12 μF to 36 μF 250 V.AC	<ul style="list-style-type: none"> ● High safety (with safety function) ● Long product life, High reliability ● Low loss, Low ESR ● Flame retardant ● High moisture resistance 	● AC Filter
		-40 °C to +105 °C	1 μF to 20 μF 330 V.AC, 380 V.AC			

* Operating temp. : Including temperature-rise on unit surface.

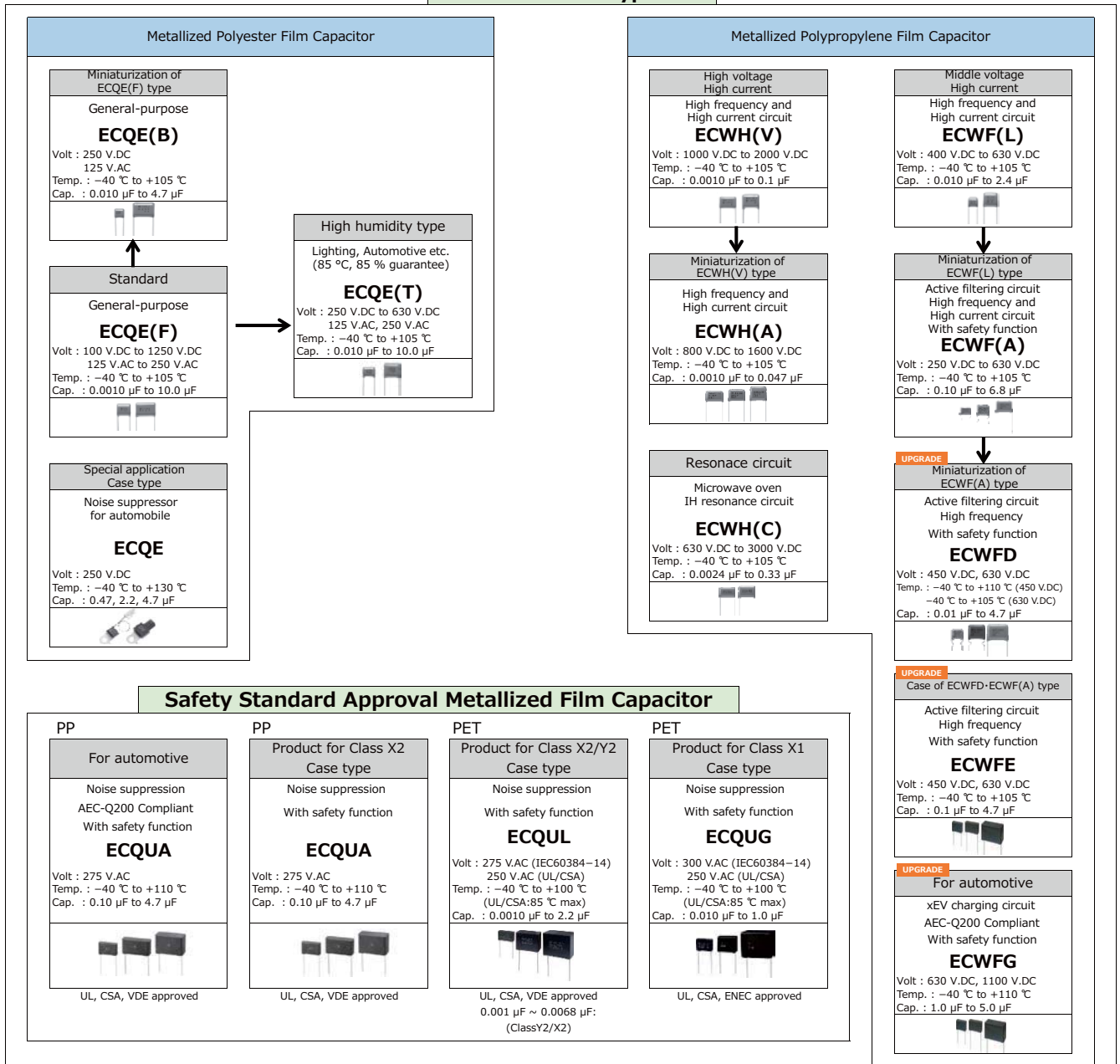
* Refer to each product page for details.

Series system diagram

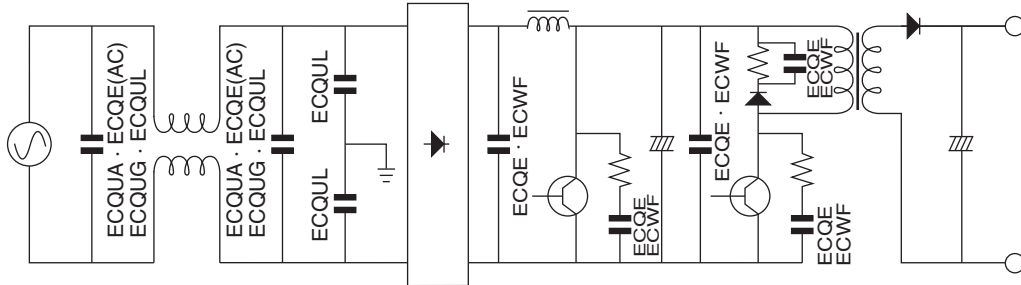
Surface mounting type



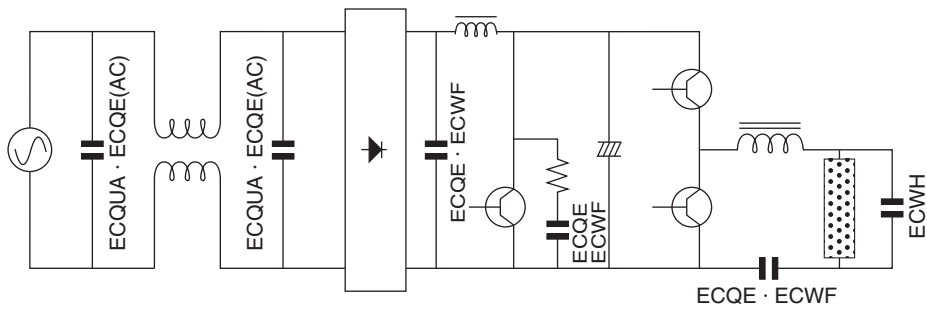
Radial lead type



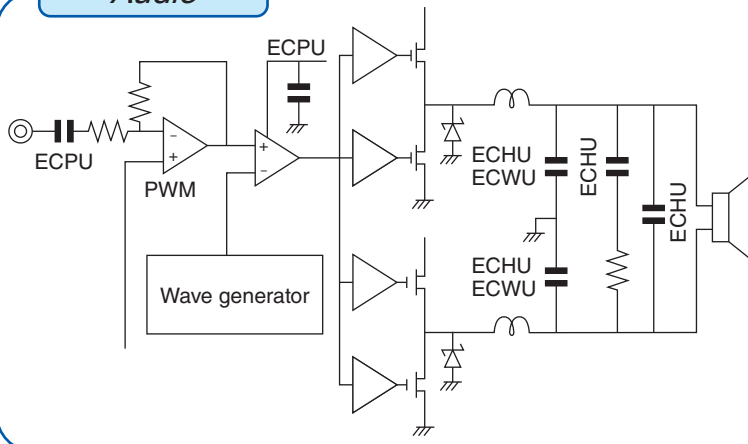
Switching Power Supply



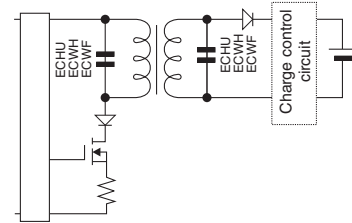
Lighting



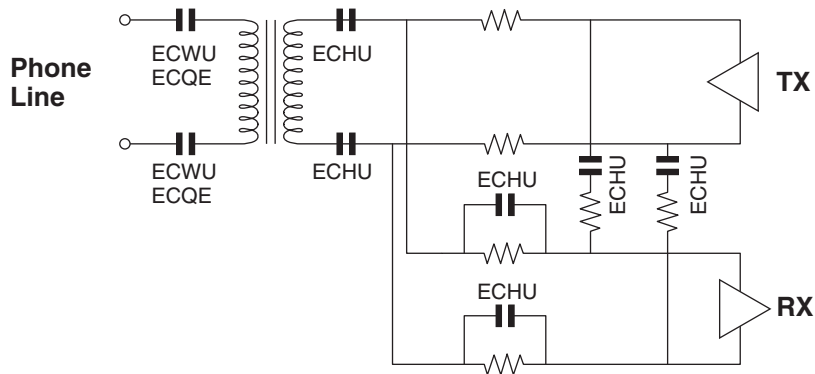
Audio



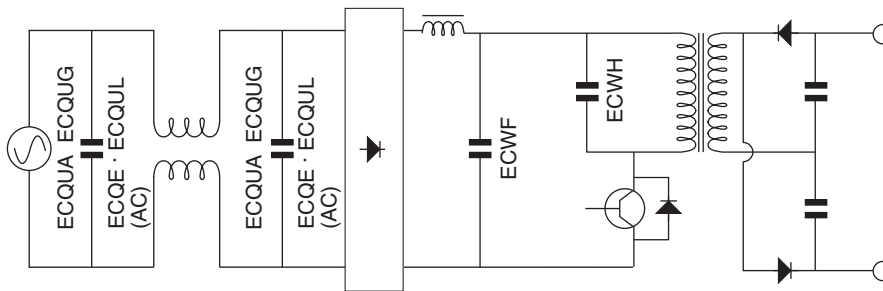
Non-contact charger



xDSL

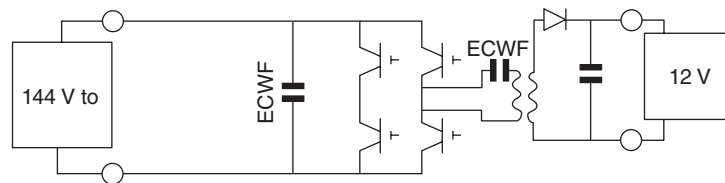


Microwave oven(IH)

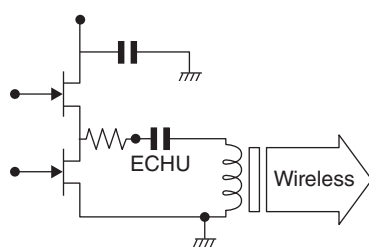


Automobile

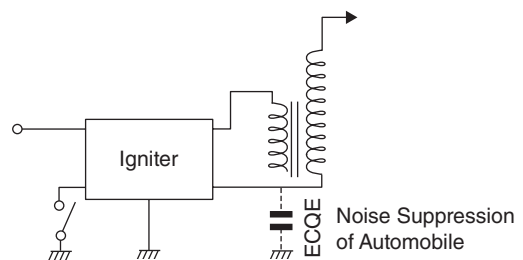
Hybrid car DC/DC Converters



Smart Keyless



Ignition



Permissible voltage (R.M.S) in alternating current corresponding to DC rated voltage

1. In case of applying voltage in alternating current (50 Hz or 60 Hz sine wave) to a capacitor, permissible voltage (R.M.S) in alternating current is shown in the following table.
2. Permissible voltage (R.M.S) in alternating current is not an AC rated voltage.
3. The capacitor of DC rating should not be used at the primary side of power supplies.
4. The peak value (zero-to-peak) including pulse of voltage applied capacitor of DC rating should be less than DC rated voltage.
The permissible pulse current is different in each type of the capacitor, please request the product specifications.
5. Please request the product specifications or consult us about details of permissible voltage (R.M.S) in alternating current.

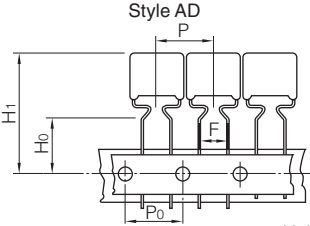
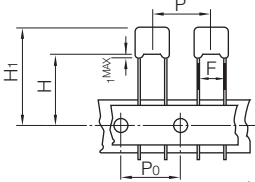
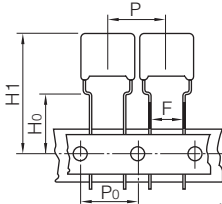
Series		Rated voltage (V.DC)	Permissible voltage (R.M.S) in alternating current (V.AC)
ECHU(X)	ECHU1C(X)	16	11
	ECHU1H(X)	50	30
ECHU(C)	ECHU1(C)	100	40
ECWU(X)	ECWU1(X)	100	40
ECWU(C)	ECWU1(C)	100	40
	ECWU2(C)	250	125
	ECWUC2J	630	250
ECPU(A)	ECPU1C(A)	16	12
ECQE(F)	ECQE1(F)	100	63
	ECQE2(F)	250	150
	ECQE4(F)	400	200
	ECQE6(F)	630	250
	ECQE10(F)	1000	400
	ECQE12(F)	1250	500
ECQE(B)	ECQE2(B)	250	125
ECQE(T)	ECQE2(T)	250	150
	ECQE4(T)	400	200
	ECQE6(T)	630	250
ECWF(A)	ECWF2(A)	250	125
	ECWF2W(A)	450	84
	ECWFA2J	630	141
UPGRADE ECWFD	ECWFD2W	450	84
	ECWFD2J	630	141
UPGRADE ECWFE	ECWFE2W	450	84
	ECWFE2J	630	141
UPGRADE ECWFG	ECWFG2J	630	141
	ECWFG1B	1100	90
ECWF(L)	ECWF4(L)	400	141
	ECWF6(L)	630	223
ECWH(A)	ECWH8(A)	800	283
	ECWHA3C	1600	700
ECWH(C)	ECWH6(C)	630	223
	ECWHC3B	1250	450
	ECWHC3F	3000	1060
ECWH(V)	ECWH10(V)	1000	283
	ECWH12(V)	1250	354
	ECWH16(V)	1600	424
	ECWH20(V)	2000	531

Taping type

Shape	Name	Specification	Taping style
Radial type	Standard taping	5 mm lead spacing with 12.7 mm body width	AD, AS, AB
	Odd size taping (I)	5 mm, 7.5 mm lead spacing with 15 mm & up body width	B, C, D, E, F
	Odd size taping (II)	Other than above	Please consult
Chip type	Embossed taping	Apply for chip type	8 mm, 12 mm, 16 mm, 24 mm carrier tape

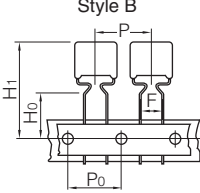
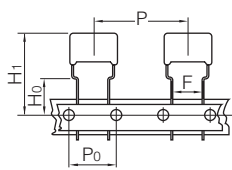
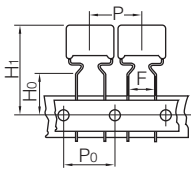
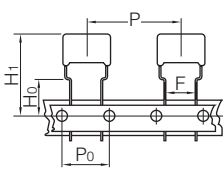
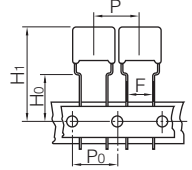
Radial type taping

● Standard taping

	Style AD	Style AS	Style AB
			
	Unit : mm	Unit : mm	Unit : mm
P	12.7	12.7	12.7
P ₀	12.7	12.7	12.7
F	5.0	5.0	5.0
H ₀	16.0	(H)18.0 — 20.0	16.0
H ₁	34.0 max.	34.0 max.	34.0 max.

Note : H₁ dimension is based on insertion machine "Panaset RH series" made by Panasonic.
Consult with Panasonic technical staff when using other insertion machines.

● Odd size taping (I)

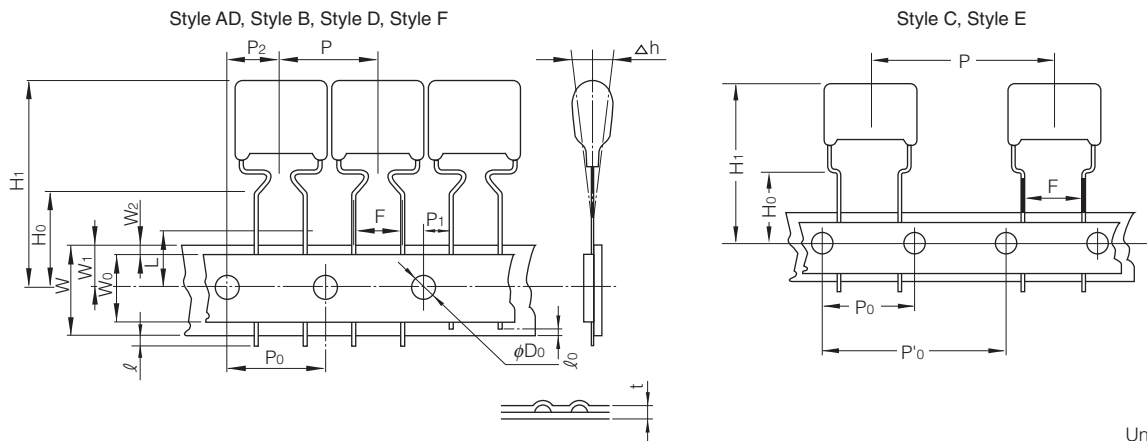
	Style B	Style C	Style D	Style E	Style F
					
	Unit : mm	Unit : mm	Unit : mm	Unit : mm	Unit : mm
P	15.0	25.4	15.0	30.0	15.0
P ₀	15.0	12.7	15.0	15.0	15.0
F	5.0	5.0	7.5	7.5	7.5
H ₀	16.0	16.0	16.0	16.0	16.0
H ₁	39.0 max	39.0 max.	44.0 max.	44.0 max.	44.0 max.

Note : H₁ dimension is based on insertion machine "Panaset RH series" made by Panasonic.
Consult with Panasonic technical staff when using other insertion machines.

● Odd size taping (II)

If the specification of taping is changed by various conditions, including, dimensions, lead spacing and insertion machine, please contact the nearest sales office for further information.

Dimensions



Unit : mm

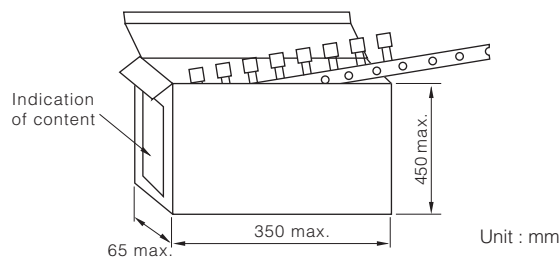
Code	Style AB, AD, AS	Style B	Style C	Style D, F	Style E
P	12.7±1.0	15.0±1.0	25.4±1.0	15.0±1.0	30.0±1.0
P ₀	12.7±0.2	15.0±0.2	12.7±0.2	15.0±0.2	15.0±0.2
P' ₀	—	—	25.4±0.2	—	30.0±0.2
P ₁	3.85±0.50	5.0±0.5	3.85±0.50	3.75±0.50	3.75±0.50
P ₂	6.35±1.30	7.5±1.3	6.35±1.30	7.5±1.3	7.5±1.3
F	5.0 ^{+0.8} _{-0.2}	5.0 ^{+0.8} _{-0.2}	5.0 ^{+0.8} _{-0.2}	7.5 ^{+0.8} _{-0.2}	7.5 ^{+0.8} _{-0.2}
Δh	0±2.0				
W	18.0±0.5				
W ₀	9.5 min.				
W ₁	9.0±0.5				
W ₂	0 — 3.0				
H ₀	16.0±0.5*	16.0±0.5	16.0±0.5	16.0 ^{+1.0} ₀	16.0 ^{+1.0} ₀
H ₁	34.0 max.	39.0 max.	39.0 max.	44.0 max.	44.0 max.
l	0				
l ₀	7.0 max.				
φD ₀	4.0±0.2				
t	0.7±0.2				
L	11.0 max.				

* Style AS is 18.0 – 20.0 in code H.

Note : H₁ dimension is based on insertion machine "Panaset RH series" made by Panasonic.
Consult with Panasonic technical staff when using other insertion machines.

Packing

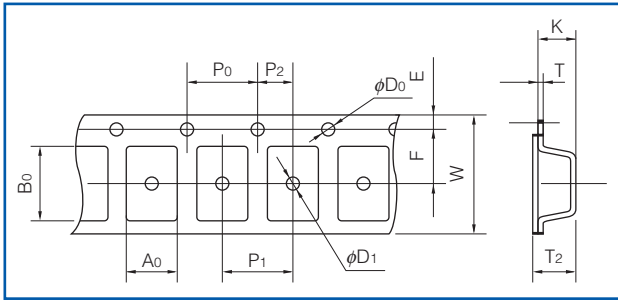
Ammo Packing



Ammo Box depends on capacitor's dimensions, taping style and quantity.

Chip type embossed taping

● Embossed taping



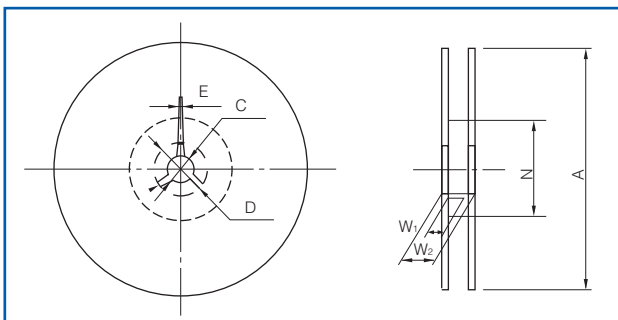
● Standard packaging quantities

Size code	Reel	Quantity
K1	φ180	4000 pcs/reel
J1, J2, H1, H2	φ180	3000 pcs/reel
H3, G1, G2, G3	φ180	2000 pcs/reel
E1, E2, D1, D2	φ330	3000 pcs/reel
E3a, E3, D3, D4, D5	φ330	2000 pcs/reel
B, Z	φ330	1500 pcs/reel
X, Y, V	φ330	1000 pcs/reel

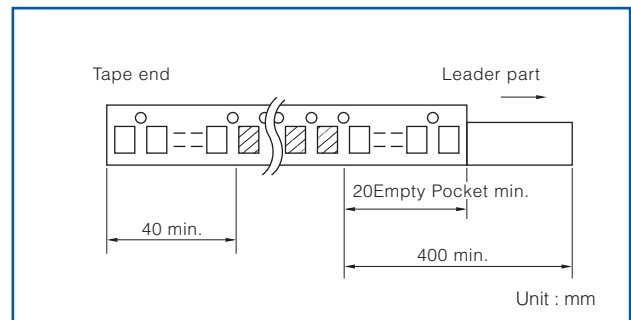
Size code	Dimensions (mm)												
	A ₀ ±0.10	B ₀ ±0.10	W±0.3	F±0.05	E±0.10	P ₁ ±0.1	P ₂ ±0.05	P ₀ ±0.1	φD ₀ ^{+0.1} ₀	φD ₁ ^{+0.2} ₀	T±0.05	T ₂ ±0.2	K±0.1
K1	1.00	1.85	8.0	3.50	1.75	4.0	2.00	4.0	1.5	1.0	0.25	1.0	0.9
J1	1.55	2.30											1.3
J2	1.55	2.30											1.5
H1, H2	1.90	3.50											1.5
H3	1.90	3.50											1.9
G1, G2	2.80	3.50											1.9
G3	2.80	3.50	2.5										
E1	3.80	5.10	12.0	5.50	1.75	8.0	2.00	4.0	1.5	1.5	0.30	1.9	
E2	3.80	5.10										2.6	
E3a, E3	3.80	5.10										3.4	
D1, D2	4.60	6.30	12.0	5.50	1.75	8.0	2.00	4.0	1.5	-	0.30	2.6	
D3, D4	4.60	6.30										3.5	
D5	4.60	6.30										4.6	
B	5.50	6.30										5.1	
Z	5.50	7.50										4.7	

Size code	Dimensions (mm)												
	A ₀ ±0.1	B ₀ ±0.1	W ^{+0.3} _{-0.1}	F±0.1	E±0.10	P ₁ ±0.1	P ₂ ±0.1	P ₀ ±0.1	φD ₀ ^{+0.10} ₀	φD ₁ ^{+0.25} ₀	T±0.02	T ₂ ±0.2	K±0.1
X, Y	6.9	8.4	16.0	7.5	1.75	12.0	2.0	4.0	1.50	1.50	0.34	5.7	
V	8.9	10.5										5.9	

● Reel dimensions



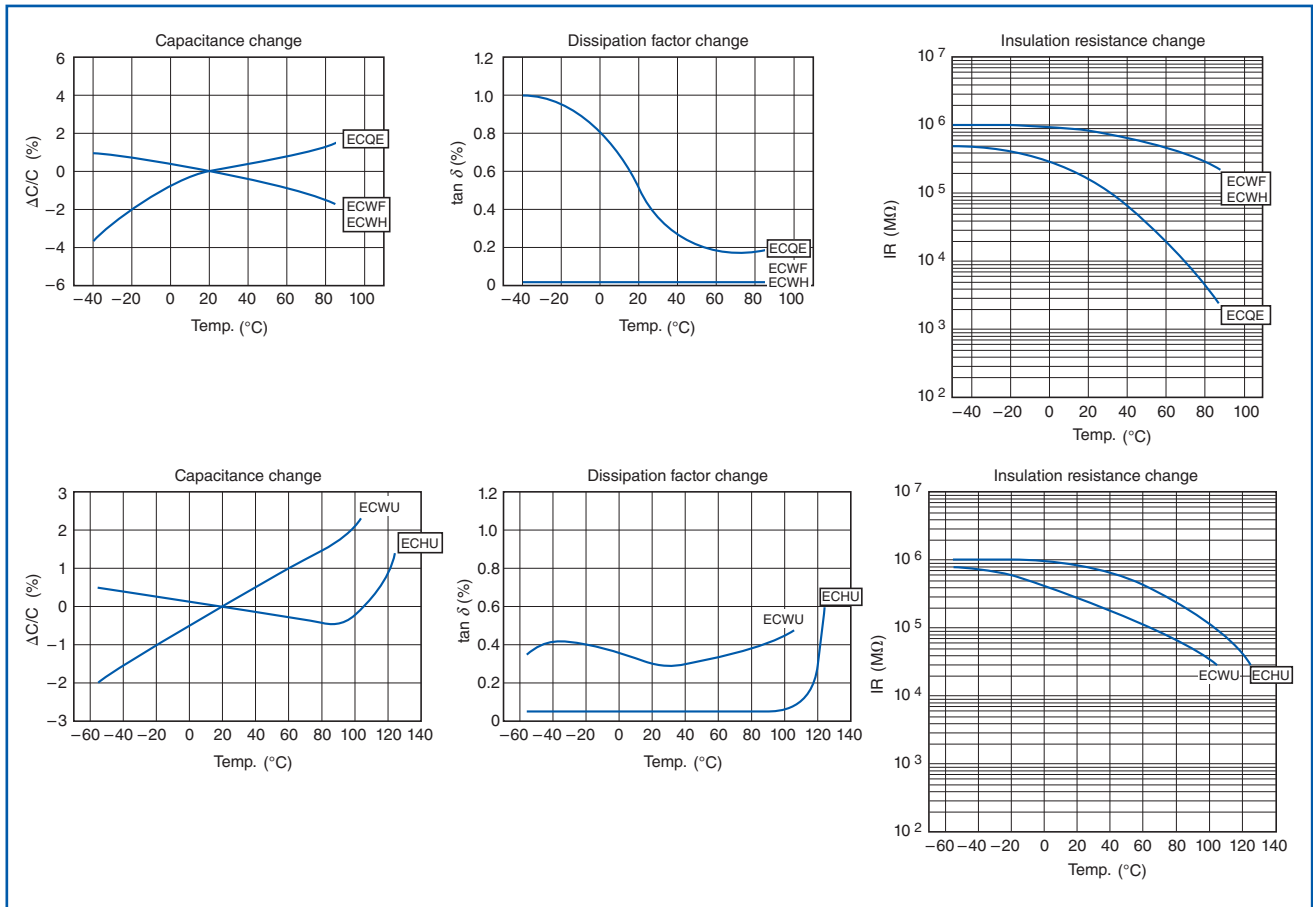
● Leader part and tape end



Code	Dimensions (mm)		
	Reel size φ180	Reel size φ330	
		Tape width 8	Tape width 12
A	180.0 ⁰ _{-1.5}	330.0±2.0	
C	13.0±0.2	13.0±0.2	
D	21.0±0.8	21.0±0.8	
E	2.0±0.5	2.0±0.5	
N	60.0 ^{+1.0} ₀	80.0±1.0	
W ₁	9.0 ^{+1.0} ₀	13.4±1.0	17.4±1.0
W ₂	11.4±1.0	17.4±1.0	21.4±1.0

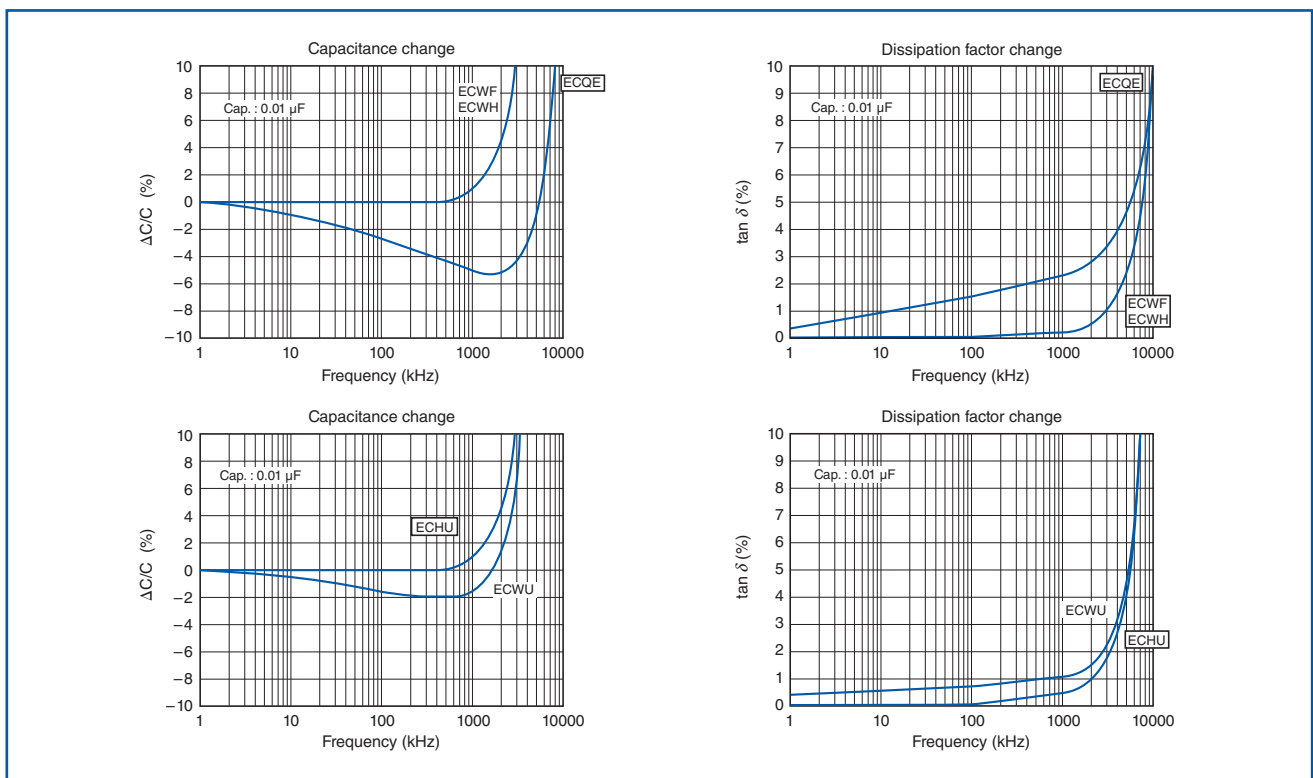
Temperature characteristics

Typical curve



Frequency Characteristics

Typical curve



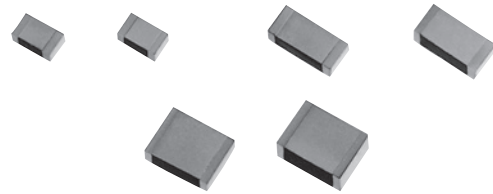
Dielectric	PPS						PEN						Thermoset resin					
Series	ECHU(X)			ECHU(C)			ECWU(C)			ECWU(C)V16		ECWU(X)		ECPU(A)				
Rated. volt	16 V.DC		50 V.DC*		100 V.DC		100 V.DC*		250 V.DC*		630 V.DC*		250 V.DC		100 V.DC		16 V.DC	
Category/Temp. range	-55 °C to +125 °C			-55 °C to +105 °C			-55 °C to +125 °C						-55 °C to +85 °C		-55 °C to +105 °C		-40 °C to +85 °C	
Cap. tol.	±2 %, ±5 %						±5 %, ±10 %			±5 %		±5 %				±20 %		
Soldering	Reflow						Reflow						Reflow					
Cap.	Size code	H	Size code	H	Size code	H	Size code	H	Size code	H	Size code	H	Size code	H	Size code	H	Size code	H
0.00010	1608	0.7	2012	0.9														
0.00012	1608	0.7	2012	0.9														
0.00015	1608	0.7	2012	0.9														
0.00018	1608	0.7	2012	0.9														
0.00022	1608	0.7	2012	0.9														
0.00027	1608	0.7	2012	0.9														
0.00033	1608	0.7	2012	0.9														
0.00039	1608	0.7	2012	0.9														
0.00047	1608	0.7	2012	0.9														
0.00056	1608	0.7	2012	0.9														
0.00068	1608	0.7	2012	0.9														
0.00082	1608	0.7	2012	0.9														
0.0010	1608	0.7	2012	0.9					4833	1.4			4833	1.4	3216	1.1		
0.0012	1608	0.7	2012	0.9					4833	1.4			4833	1.4	3216	1.1		
0.0015	1608	0.7	2012	0.9					4833	1.4			4833	1.4	3216	1.1		
0.0018	1608	0.7	2012	0.9					4833	1.4			4833	1.4	3216	1.1		
0.0022	1608	0.7	2012	0.9					4833	1.4			4833	1.4	3216	1.1		
0.0027	1608	0.7	2012	0.9					4833	1.4			4833	1.4	3216	1.1		
0.0033	2012	0.9	3216	0.9					4833	1.4			4833	1.4	3216	1.5		
0.0039	2012	0.9	3216	0.9					4833	1.4			4833	1.4	3216	1.5		
0.0047	2012	0.9	3216	0.9					4833	1.4			4833	1.4	3216	1.5		
0.0056	2012	0.9	3216	0.9					4833	1.4			4833	1.4	3225	1.5		
0.0068	2012	0.9	3216	0.9					4833	1.4			4833	1.4	3225	1.5		
0.0082	2012	1.1	3216	1.1					4833	1.4			4833	1.4	3225	2.1		
0.010	2012	1.1	3216	1.1	4833	1.4			4833	1.4			4833	1.4	3225	2.1		
0.012	3216	0.9	3225	1.1	4833	1.4	4833	1.4	4833	1.4			4833	1.4				
0.015	3216	0.9	3225	1.1	4833	2.0	4833	1.4	4833	1.4			4833	1.4				
0.018	3216	0.9	3225	1.5	4833	2.0	4833	1.4	4833	2.0			4833	2.0				
0.022	3216	0.9	3225	1.5	4833	2.4	4833	1.4	4833	2.0	7163	3.6	4833	2.0				
0.027	3216	1.1	3225	1.5	4833	2.8	4833	1.4	4833	2.4	7163	4.1	4833	2.4				
0.033	3216	1.1	3225	2.1	6041	1.8	4833	1.4	4833	2.8	7163	5.1	4833	2.8				
0.039	3216	1.5	3225	2.1	6041	2.0	4833	1.4	6041	2.0			6041	2.0				
0.047	3216	1.5	4833	1.5	6041	2.4	4833	2.0	6041	2.4			6041	2.4				
0.056	3225	1.5	4833	1.5	6041	2.8	4833	2.0	6041	2.8			6041	2.8				
0.068	3225	1.5	4833	1.5	6041	3.2	4833	2.4	6041	3.2			6041	3.2				
0.082	3225	2.1	4833	2.1	7150	2.8	4833	2.8	6050	3.2			6050	3.2				
0.10	3225	2.1	4833	2.1	7150	3.0	6041	1.8	6050	3.8			6050	3.8			2012	1.0
0.12			6041	1.9	7150	3.4	6041	2.4	6050	4.5			6050	4.5				
0.15			6041	1.9	7163	3.4	6041	2.8									3216	0.8
0.18			6041	2.5	7163	4.0	7150	2.0										
0.22			6041	2.8	7163	4.8	7150	2.4									3216	0.8
0.27							7150	2.9										
0.33							7150	3.5									3216	1.0
0.39							7755	3.4										
0.47							7755	4.0									3216	1.4
0.56							9863	3.0										
0.68							9863	3.6									3216	1.4
0.82							9863	4.3										
1.0							9863	5.1									3225	1.4

* Please confirm in the individual page because the specifications depend on the partial capacitance.

Stacked Metallized PPS Film Chip Capacitor

Series : **ECHU(X)**

Stacked metallized PPS film as dielectric with simple mold-less construction



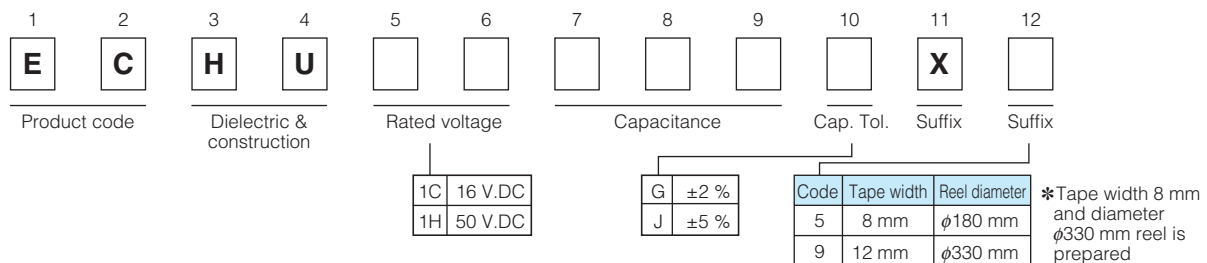
Features

- Small in size (Minimum size 1.6 mm × 0.8 mm)
- 85 °C, 85 %RH, W.V. × 1.0 for 500 hours
- For reflow soldering
- RoHS directive compliant

Recommended applications

- Time-constant
- Filtering
- Oscillation and resonance
- Audio circuit

Explanation of part number



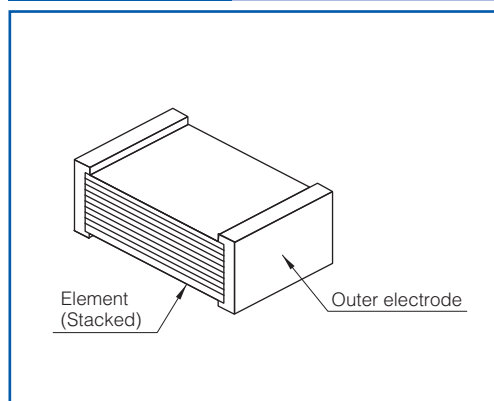
Specifications

Category temp. range (Including temperature-rise on unit surface)	- 55 °C to +125 °C	
Rated voltage	16 V.DC, 50 V.DC (50 V.DC : 0.12 μF or more : Derating or rated voltage by 1.25 % / °C at more than 105 °C)	
Capacitance range	16 V.DC	0.00010 μF to 0.10 μF (E12)
	50 V.DC	0.00010 μF to 0.22 μF (E12)
Capacitance tolerance	±2 % (G), ±5 % (J)	
Dissipation factor (tan δ)	tan δ ≤ 0.6 % (20 °C, 1 kHz)	
Withstand voltage	Between terminals : Rated volt. (V.DC) × 150 %, 60 s	
Insulation resistance (IR)	16 V.DC : IR ≥ 3000 MΩ (20 °C, 10 V.DC, 60 s)	
	50 V.DC : IR ≥ 3000 MΩ (20 °C, 50 V.DC, 60 s)	
Soldering conditions	Reflow soldering : 260 °C max. and 95 sec max. at more than 220 °C (Temp. at capacitor surface)	

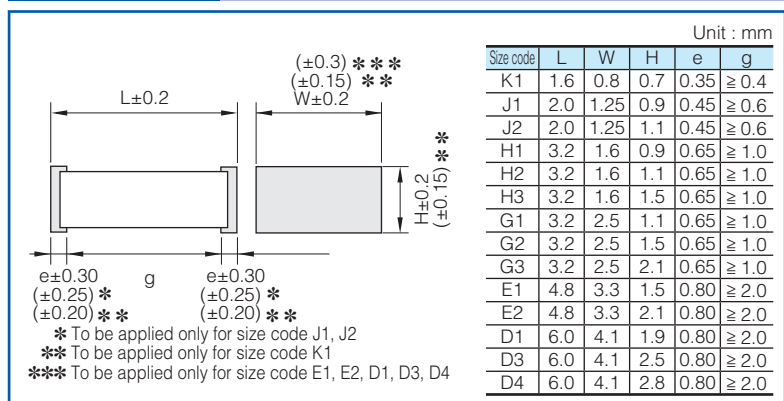
* Please consult us for flow soldering

* In case of applying voltage in alternating current (50 Hz or 60 Hz sine wave) to a capacitor with DC rated voltage, please refer to the page of "Permissible voltage (R.M.S) in alternating current corresponding to DC rated voltage".

Construction



Dimensions



Taping specification for automatic mounting

Refer to the page of taping specifications

Rating · Dimensions · Quantity

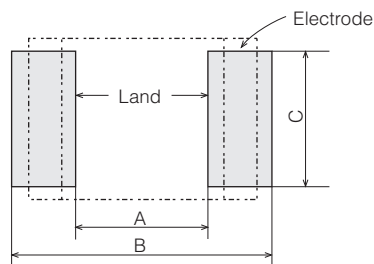
- Capacitance tolerance : $\pm 2\%$ (G), $\pm 5\%$ (J)

Capacitance (μ F)	Rated voltage 16 V.DC					Rated voltage 50 V.DC						
	Part No.	Dimensions (mm)			Size code	Q'ty	Part No.	Dimensions (mm)			Size code	Q'ty
		L	W	H				L	W	H		
0.00010	ECHU1C101□X5	1.6	0.8	0.7	K1	4000	ECHU1H101□X5	2.0	1.25	0.9	J1	3000
0.00012	ECHU1C121□X5	1.6	0.8	0.7	K1		ECHU1H121□X5	2.0	1.25	0.9	J1	
0.00015	ECHU1C151□X5	1.6	0.8	0.7	K1		ECHU1H151□X5	2.0	1.25	0.9	J1	
0.00018	ECHU1C181□X5	1.6	0.8	0.7	K1		ECHU1H181□X5	2.0	1.25	0.9	J1	
0.00022	ECHU1C221□X5	1.6	0.8	0.7	K1		ECHU1H221□X5	2.0	1.25	0.9	J1	
0.00027	ECHU1C271□X5	1.6	0.8	0.7	K1		ECHU1H271□X5	2.0	1.25	0.9	J1	
0.00033	ECHU1C331□X5	1.6	0.8	0.7	K1		ECHU1H331□X5	2.0	1.25	0.9	J1	
0.00039	ECHU1C391□X5	1.6	0.8	0.7	K1		ECHU1H391□X5	2.0	1.25	0.9	J1	
0.00047	ECHU1C471□X5	1.6	0.8	0.7	K1		ECHU1H471□X5	2.0	1.25	0.9	J1	
0.00056	ECHU1C561□X5	1.6	0.8	0.7	K1		ECHU1H561□X5	2.0	1.25	0.9	J1	
0.00068	ECHU1C681□X5	1.6	0.8	0.7	K1		ECHU1H681□X5	2.0	1.25	0.9	J1	
0.00082	ECHU1C821□X5	1.6	0.8	0.7	K1		ECHU1H821□X5	2.0	1.25	0.9	J1	
0.0010	ECHU1C102□X5	1.6	0.8	0.7	K1		ECHU1H102□X5	2.0	1.25	0.9	J1	
0.0012	ECHU1C122□X5	1.6	0.8	0.7	K1		ECHU1H122□X5	2.0	1.25	0.9	J1	
0.0015	ECHU1C152□X5	1.6	0.8	0.7	K1		ECHU1H152□X5	2.0	1.25	0.9	J1	
0.0018	ECHU1C182□X5	1.6	0.8	0.7	K1		ECHU1H182□X5	2.0	1.25	0.9	J1	
0.0022	ECHU1C222□X5	1.6	0.8	0.7	K1	ECHU1H222□X5	2.0	1.25	0.9	J1		
0.0027	ECHU1C272□X5	1.6	0.8	0.7	K1	ECHU1H272□X5	2.0	1.25	0.9	J1		
0.0033	ECHU1C332□X5	2.0	1.25	0.9	J1	ECHU1H332□X5	3.2	1.6	0.9	H1	2000	
0.0039	ECHU1C392□X5	2.0	1.25	0.9	J1	ECHU1H392□X5	3.2	1.6	0.9	H1		
0.0047	ECHU1C472□X5	2.0	1.25	0.9	J1	ECHU1H472□X5	3.2	1.6	0.9	H1		
0.0056	ECHU1C562□X5	2.0	1.25	0.9	J1	ECHU1H562□X5	3.2	1.6	0.9	H1		
0.0068	ECHU1C682□X5	2.0	1.25	0.9	J1	ECHU1H682□X5	3.2	1.6	0.9	H1		
0.0082	ECHU1C822□X5	2.0	1.25	1.1	J2	ECHU1H822□X5	3.2	1.6	1.1	H2		
0.010	ECHU1C103□X5	2.0	1.25	1.1	J2	ECHU1H103□X5	3.2	1.6	1.1	H2		
0.012	ECHU1C123□X5	3.2	1.6	0.9	H1	ECHU1H123□X5	3.2	2.5	1.1	G1		
0.015	ECHU1C153□X5	3.2	1.6	0.9	H1	ECHU1H153□X5	3.2	2.5	1.1	G1		
0.018	ECHU1C183□X5	3.2	1.6	0.9	H1	ECHU1H183□X5	3.2	2.5	1.5	G2		
0.022	ECHU1C223□X5	3.2	1.6	0.9	H1	ECHU1H223□X5	3.2	2.5	1.5	G2		
0.027	ECHU1C273□X5	3.2	1.6	1.1	H2	ECHU1H273□X5	3.2	2.5	1.5	G2		
0.033	ECHU1C333□X5	3.2	1.6	1.1	H2	ECHU1H333□X5	3.2	2.5	2.1	G3		
0.039	ECHU1C393□X5	3.2	1.6	1.5	H3	ECHU1H393□X5	3.2	2.5	2.1	G3		
0.047	ECHU1C473□X5	3.2	1.6	1.5	H3	ECHU1H473□X9	4.8	3.3	1.5	E1		3000
0.056	ECHU1C563□X5	3.2	2.5	1.5	G2	ECHU1H563□X9	4.8	3.3	1.5	E1		
0.068	ECHU1C683□X5	3.2	2.5	1.5	G2	ECHU1H683□X9	4.8	3.3	1.5	E1		
0.082	ECHU1C823□X5	3.2	2.5	2.1	G3	ECHU1H823□X9	4.8	3.3	2.1	E2		
0.10	ECHU1C104□X5	3.2	2.5	2.1	G3	ECHU1H104□X9	4.8	3.3	2.1	E2		
0.12						ECHU1H124□X9	6.0	4.1	1.9	D1	2000	
0.15						ECHU1H154□X9	6.0	4.1	1.9	D1		
0.18						ECHU1H184□X9	6.0	4.1	2.5	D3		
0.22						ECHU1H224□X9	6.0	4.1	2.8	D4		

* □ : Capacitance tolerance code

Recommended for land dimensions

Unit : mm

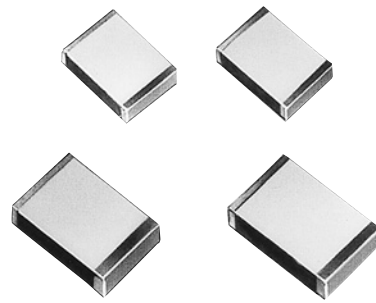


Size code	Land dimensions		
	Reflow soldering		
	A	B	C
K1	0.6	2.0	0.7
J1, J2	0.8	2.4	1.1
H1, H2, H3	1.8	3.6	1.4
G1, G2, G3	1.8	3.6	2.3
E1, E2	3.0	5.6	3.0
D1, D3, D4	4.0	7.0	3.8

* It is not warrantable that you can mount the capacitor without trouble under all the mounting condition when "Recommender for Land dimensions" is adopted.

Stacked Metallized PPS Film Chip Capacitor

Series : **ECHU(C)**



Stacked metallized PPS film as dielectric with simple mold-less construction

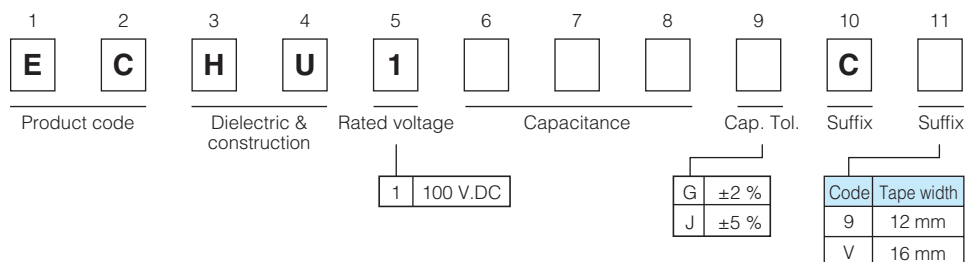
Features

- Small in size
- Low loss and excellent frequency characteristics
- For reflow soldering
- RoHS directive compliant

Recommended applications

- Time-constant
- Filtering
- Oscillation and resonance
- Resonance circuit for LCD backlight inverter unit

Explanation of part number

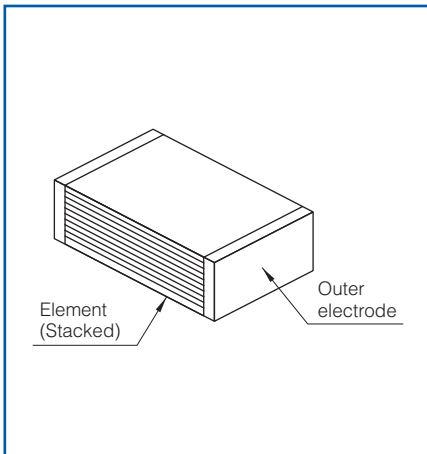


Specifications

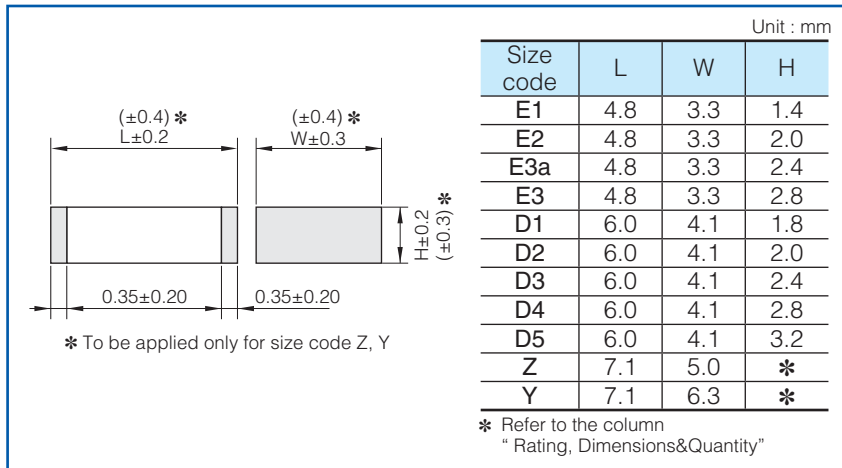
Category temp. range (Including temperature-rise on unit surface)	- 55 °C to +105 °C
Rated voltage	100 V.DC
Capacitance range	0.010 μF to 0.22 μF (E12)
Capacitance tolerance	±2 %(G), ±5 %(J)
Dissipation factor (tan δ)	tan δ ≤ 0.6 % (20 °C, 1 kHz)
Withstand voltage	Between terminals : Rated volt. (V.DC) × 150 %, 60 s
Insulation resistance (IR)	IR ≥ 3000 MΩ (20 °C, 100 V.DC, 60 s)
Soldering conditions	Reflow soldering : 260 °C max. and 95 sec max. at more than 220 °C (Temp. at capacitor surface)

* In case of applying voltage in alternating current (50 Hz or 60 Hz sine wave) to a capacitor with DC rated voltage, please refer to the page of "Permissible voltage (R.M.S) in alternating current corresponding to DC rated voltage".

Construction



Dimensions



Taping specification for automatic mounting

Refer to the page of taping specifications

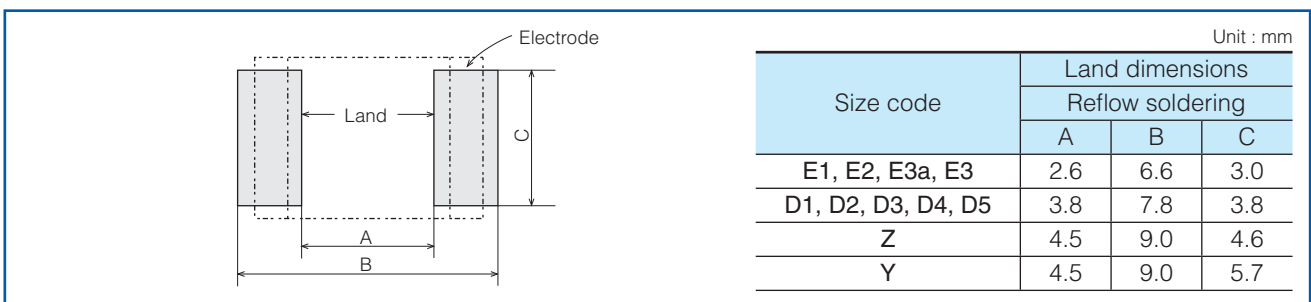
Rating · Dimensions · Quantity

● Capacitance tolerance : ±2 % (G), ±5 % (J)

Capacitance (μF)	Part No.	Rated voltage 100 V.DC			Size code	Q'ty
		Dimensions (mm)				
		L	W	H		
0.010	ECHU1103□C9	4.8	3.3	1.4	E1	3000
0.012	ECHU1123□C9	4.8	3.3	1.4	E1	
0.015	ECHU1153□C9	4.8	3.3	2.0	E2	
0.018	ECHU1183□C9	4.8	3.3	2.0	E2	
0.022	ECHU1223□C9	4.8	3.3	2.4	E3a	2000
0.027	ECHU1273□C9	4.8	3.3	2.8	E3	
0.033	ECHU1333□C9	6.0	4.1	1.8	D1	
0.039	ECHU1393□C9	6.0	4.1	2.0	D2	3000
0.047	ECHU1473□C9	6.0	4.1	2.4	D3	
0.056	ECHU1563□C9	6.0	4.1	2.8	D4	
0.068	ECHU1683□C9	6.0	4.1	3.2	D5	2000
0.082	ECHU1823□C9	7.1	5.0	2.8	Z	
0.10	ECHU1104□C9	7.1	5.0	3.0	Z	
0.12	ECHU1124□C9	7.1	5.0	3.4	Z	1500
0.15	ECHU1154□CV	7.1	6.3	3.4	Y	
0.18	ECHU1184□CV	7.1	6.3	4.0	Y	
0.22	ECHU1224□CV	7.1	6.3	4.8	Y	1000

* □ : Capacitance tolerance code

Recommended for land dimensions



* It is not warrantable that you can mount the capacitor without trouble under all the mounting condition when "Recommender for Land dimensions" is adopted.

Stacked Metallized PEN Film Chip Capacitor

Series : **ECWU(X)**



Stacked metallized PEN film as dielectric with simple mold-less construction

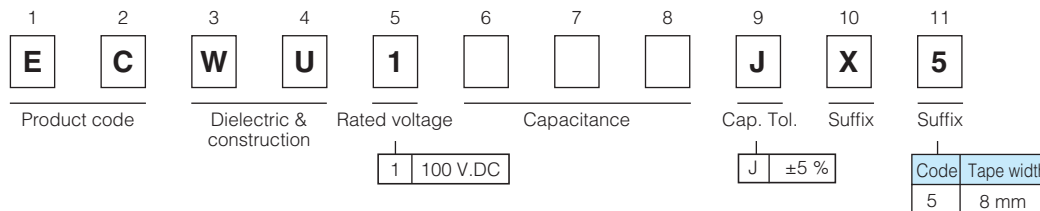
Features

- Small in size (minimum size 3.2 mm × 1.6 mm)
- 85 °C, 85 %RH, W.V. × 1.0 for 500 hours
- For reflow soldering
- RoHS directive compliant

Recommended applications

- General purpose (Coupling, By-pass)

Explanation of part number

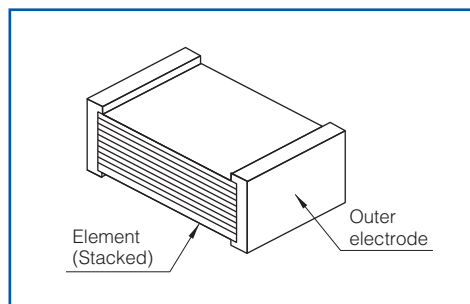


Specifications

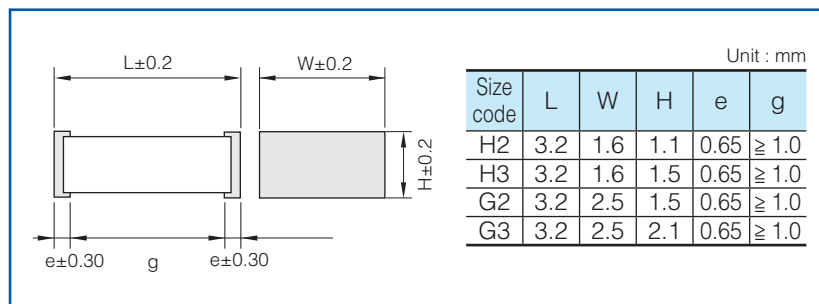
Category temp. range (Including temperature-rise on unit surface)	- 55 °C to +105 °C
Rated voltage	100 V.DC
Capacitance range	0.0010 μF to 0.010 μF (E12)
Capacitance tolerance	±5 % (J)
Dissipation factor (tan δ)	tan δ ≤ 1.0 % (20 °C, 1 kHz)
Withstand voltage	Between terminals : Rated volt. (V.DC) × 150 %, 60 s
Insulation resistance (IR)	IR ≥ 3000 MΩ (20 °C, 100 V.DC, 60 s)
Soldering conditions	Reflow soldering : 250 °C max. and 60 s max. at more than 220 °C (Temp. at capacitor surface)

* In case of applying voltage in alternating current (50 Hz or 60 Hz sine wave) to a capacitor with DC rated voltage, please refer to the page of "Permissible voltage (R.M.S) in alternating current corresponding to DC rated voltage".

Construction



Dimensions



Taping specification for automatic mounting

Refer to the page of taping specifications

Rating · Dimensions · Quantity

- Capacitance tolerance : $\pm 5\%$ (J)

Capacitance (μF)	Rated voltage 100 V.DC					Size code	Q'ty
	Part No.	Dimensions (mm)					
		L	W	H			
0.0010	ECWU1102JX5	3.2	1.6	1.1	H2	3000	
0.0012	ECWU1122JX5	3.2	1.6	1.1	H2		
0.0015	ECWU1152JX5	3.2	1.6	1.1	H2		
0.0018	ECWU1182JX5	3.2	1.6	1.1	H2		
0.0022	ECWU1222JX5	3.2	1.6	1.1	H2		
0.0027	ECWU1272JX5	3.2	1.6	1.1	H2		
0.0033	ECWU1332JX5	3.2	1.6	1.5	H3	2000	
0.0039	ECWU1392JX5	3.2	1.6	1.5	H3		
0.0047	ECWU1472JX5	3.2	1.6	1.5	H3		
0.0056	ECWU1562JX5	3.2	2.5	1.5	G2		
0.0068	ECWU1682JX5	3.2	2.5	1.5	G2		
0.0082	ECWU1822JX5	3.2	2.5	2.1	G3		
0.010	ECWU1103JX5	3.2	2.5	2.1	G3		

cap. $\geq 0.012 \mu\text{F}$: Please use 100 V.DC rating of ECWU(C)

Recommended for land dimensions

Unit : mm

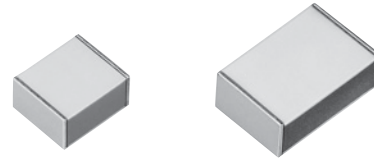
Size code	Land dimensions		
	Reflow soldering		
	A	B	C
H2, H3	1.8	3.6	1.4
G2, G3	1.8	3.6	2.3

* It is not warrantable that you can mount the capacitor without trouble under all the mounting condition when "Recommender for Land dimensions" is adopted.

Stacked Metallized PEN Film Chip Capacitor

Series : **ECWU(C)**

Stacked metallized PEN film as dielectric with simple mold-less construction



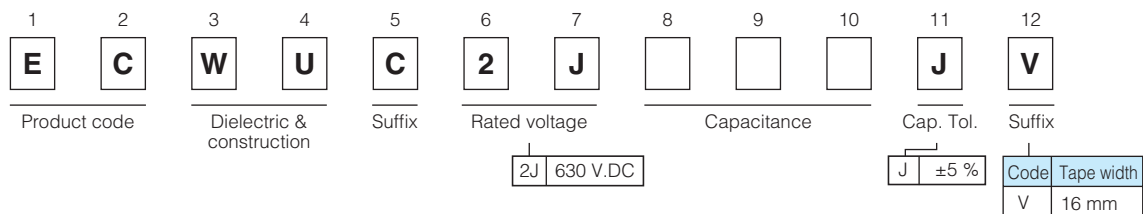
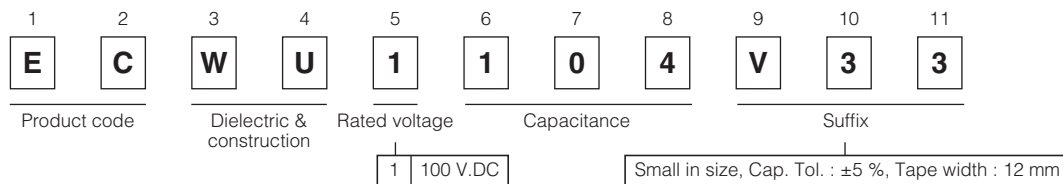
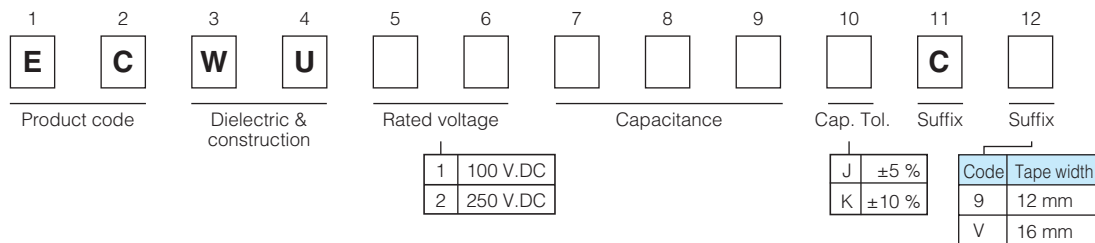
Features

- Small in size
- For reflow soldering
- RoHS directive compliant

Recommended applications

- General purpose (Coupling, By-pass)

Explanation of part number



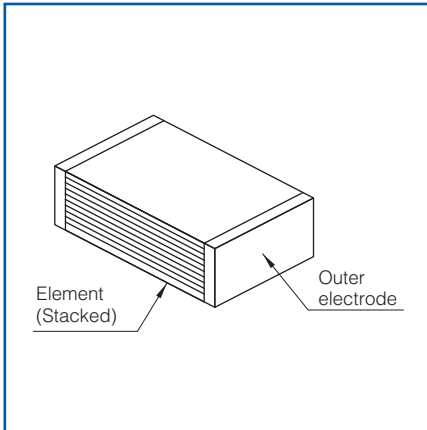
Specifications

Category temp. range (Including temperature-rise on unit surface)	- 55 °C to +125 °C	
Rated voltage	100 V.DC, 250 V.DC, 630 V.DC (Derating of rated voltage by 1.25 %/°C more than 85 °C)	
Capacitance range	100 V.DC	0.012 μF to 1.0 μF (E12)
	250 V.DC	0.0010 μF to 0.12 μF (E12)
	630 V.DC	0.022 μF, 0.027 μF, 0.033 μF
Capacitance tolerance	100 V.DC	±5 % (J), ±10 % (K) (C ≥ 0.18 μF : ±10 % (K) Only)
	250 V.DC	±5 % (J), ±10 % (K)
	630 V.DC	±5 % (J)
Dissipation factor (tan δ)	tan δ ≤ 1.0 % (20 °C, 1 kHz)	
Withstand voltage	Between terminals : Rated volt. (V.DC) × 150 %, 60 s	
Insulation resistance (IR)	C ≤ 0.33 μF	100 V.DC, 250 V.DC, 630 V.DC : IR ≥ 3000 MΩ (20 °C, 100 V.DC, 60 s)
	C > 0.33 μF	100 V.DC : IR ≥ 1000 MΩ·μF (20 °C, 100 V.DC, 60 s)
Soldering conditions	100 V.DC	Reflow soldering : 250 °C max. and 60 s max. at more than 220 °C
	250 V.DC	(Temp. at capacitor surface)
	630 V.DC	Reflow soldering : 250 °C max. and 60 s to 150 s. at more than 217 °C (Temp. at cap. surface)

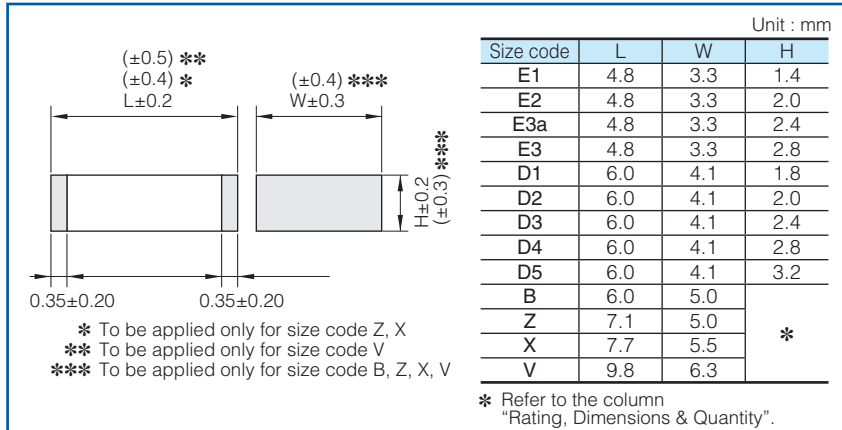
* In case of applying voltage in alternating current (50 Hz or 60 Hz sine wave) to a capacitor with DC rated voltage, please refer to the page of "Permissible voltage (R.M.S) in alternating current corresponding to DC rated voltage".

* Please consult us for capacitance range between 0.15 μF and 1.0 μF. (250 V.DC)

Construction



Dimensions



Taping specification for automatic mounting

Refer to the page of taping specifications

Rating · Dimensions · Quantity

● Capacitance tolerance : ±5 % (J), ±10 % (K)

Capacitance (μF)	Rated voltage 100 V.DC						Rated voltage 250 V.DC					
	Part No.	Dimensions (mm)			Size code	Q'ty	Part No.	Dimensions (mm)			Size code	Q'ty
		L	W	H				L	W	H		
0.0010						ECWU2102□C9	4.8	3.3	1.4	E1	3000	
0.0012						ECWU2122□C9	4.8	3.3	1.4	E1		
0.0015						ECWU2152□C9	4.8	3.3	1.4	E1		
0.0018						ECWU2182□C9	4.8	3.3	1.4	E1		
0.0022						ECWU2222□C9	4.8	3.3	1.4	E1		
0.0027						ECWU2272□C9	4.8	3.3	1.4	E1		
0.0033						ECWU2332□C9	4.8	3.3	1.4	E1		
0.0039						ECWU2392□C9	4.8	3.3	1.4	E1		
0.0047						ECWU2472□C9	4.8	3.3	1.4	E1		
0.0056						ECWU2562□C9	4.8	3.3	1.4	E1		
0.0068						ECWU2682□C9	4.8	3.3	1.4	E1		
0.0082						ECWU2822□C9	4.8	3.3	1.4	E1		
0.010						ECWU2103□C9	4.8	3.3	1.4	E1		
0.012	ECWU1123□C9	4.8	3.3	1.4	E1	ECWU2123□C9	4.8	3.3	1.4	E1		2000
0.015	ECWU1153□C9	4.8	3.3	1.4	E1	ECWU2153□C9	4.8	3.3	1.4	E1		
0.018	ECWU1183□C9	4.8	3.3	1.4	E1	ECWU2183□C9	4.8	3.3	2.0	E2		
0.022	ECWU1223□C9	4.8	3.3	1.4	E1	ECWU2223□C9	4.8	3.3	2.0	E2		
0.027	ECWU1273□C9	4.8	3.3	1.4	E1	ECWU2273□C9	4.8	3.3	2.4	E3a		
0.033	ECWU1333□C9	4.8	3.3	1.4	E1	ECWU2333□C9	4.8	3.3	2.8	E3		
0.039	ECWU1393□C9	4.8	3.3	1.4	E1	ECWU2393□C9	6.0	4.1	2.0	D2		
0.047	ECWU1473□C9	4.8	3.3	2.0	E2	ECWU2473□C9	6.0	4.1	2.4	D3		
0.056	ECWU1563□C9	4.8	3.3	2.0	E2	ECWU2563□C9	6.0	4.1	2.8	D4		
0.068	ECWU1683□C9	4.8	3.3	2.4	E3a	ECWU2683□C9	6.0	4.1	3.2	D5		
0.082	ECWU1823□C9	4.8	3.3	2.8	E3	ECWU2823□C9	6.0	5.0	3.2	B		
0.10	ECWU1104□C9	6.0	4.1	1.8	D1	ECWU2104□C9	6.0	5.0	3.8	B	1500	
	ECWU1104V33	4.8	3.3	2.8	E3							
0.12	ECWU1124□C9	6.0	4.1	2.4	D3	ECWU2124□C9	6.0	5.0	4.5	B		
0.15	ECWU1154□C9	6.0	4.1	2.8	D4							
0.18	ECWU1184KC9	7.1	5.0	2.0	Z							
0.22	ECWU1224KC9	7.1	5.0	2.4	Z							
0.27	ECWU1274KC9	7.1	5.0	2.9	Z							
0.33	ECWU1334KC9	7.1	5.0	3.5	Z							
0.39	ECWU1394KCV	7.7	5.5	3.4	x							
0.47	ECWU1474KCV	7.7	5.5	4.0	x							
0.56	ECWU1564KCV	9.8	6.3	3.0	V							
0.68	ECWU1684KCV	9.8	6.3	3.6	V							
0.82	ECWU1824KCV	9.8	6.3	4.3	V							
1.0	ECWU1105KCV	9.8	6.3	5.1	V							

* □ : Capacitance tolerance

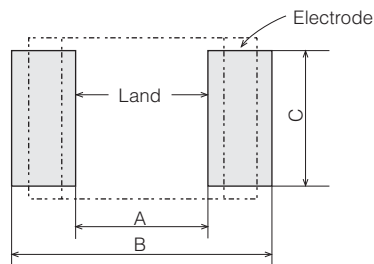
Rating · Dimensions · Quantity

- Capacitance tolerance : $\pm 5\%$ (J)

Capacitance (μF)	Rated voltage 630 V.DC					Size code	Q'ty
	Part No.	Dimensions (mm)					
		L	W	H			
0.022	ECWUC2J223JV	7.1	6.3	3.6	Y	1000	
0.027	ECWUC2J273JV	7.1	6.3	4.1	Y		
0.033	ECWUC2J333JV	7.1	6.3	5.1	Y		

Recommended for land dimensions

Unit : mm



Size code	Land dimensions		
	Reflow soldering		
	A	B	C
E1, E2, E3a, E3	2.6	6.6	3.0
D1, D2, D3, D4, D5	3.8	7.8	3.8
B	3.8	7.8	4.6
Z	4.5	9.0	4.6
Y	4.5	9.0	5.7
X	5.1	9.7	5.0
V	7.2	11.9	5.7

* It is not warrantable that you can mount the capacitor without trouble under all the mounting condition when "Recommender for Land dimensions" is adopted.

Stacked Metallized PEN Film Chip Capacitor

Series : ECWU(V16)

Stacked metallized PEN film dielectric with simple moldless construction



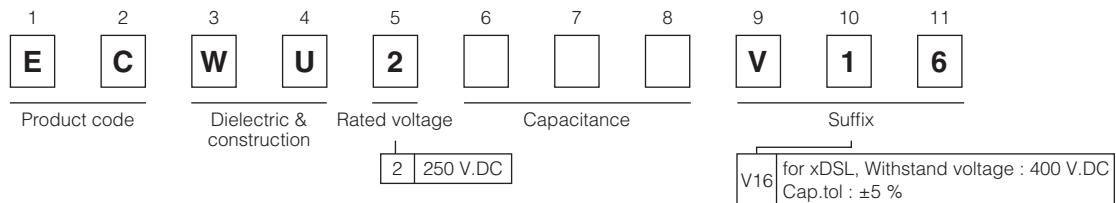
Features

- Small in size
- For reflow soldering
- RoHS directive compliant

Recommended applications

- DC Blocking for xDSL

Explanation of part number

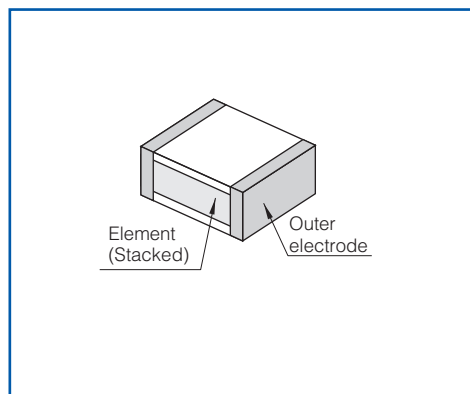


Specifications

Category temp. range (Including temperature-rise on unit surface)	- 55 °C to +85 °C
Rated voltage	250 V.DC
Capacitance range	0.0010 μF to 0.12 μF (E12)
Capacitance tolerance	±5 % (J)
Dissipation factor (tan δ)	tan δ ≤ 1.0 % (20 °C, 1 kHz)
Withstand voltage	Between terminals : 400 V.DC, 60 s
Insulation resistance (IR)	IR ≥ 3000 MΩ (20 °C, 100 V.DC, 60 s)
Soldering conditions	Reflow soldering : 250 °C max. and 60 s max. at more than 220 °C (Temp. at capacitor surface)

- * Application of this capacitor is limited to DC Blocking for xDSL, such as ADSL.
- * Please consult us for 400 V.DC rating product.

Construction



Dimensions

Unit : mm

Size code	L	W	H
E1	4.8	3.3	1.4
E2	4.8	3.3	2.0
E3a	4.8	3.3	2.4
E3	4.8	3.3	2.8
D2	6.0	4.1	2.0
D3	6.0	4.1	2.4
D4	6.0	4.1	2.8
D5	6.0	4.1	3.2
B	6.0	5.0	*

* To be applied only for size code B

* Refer to the column "Rating, Dimensions & Quantity".

Taping specification for automatic mounting

Refer to the page of taping specifications

Rating · Dimensions · Quantity

- Capacitance tolerance : $\pm 5\%$ (J)

Capacitance (μ F)	Rated voltage 250 V.DC					Size code	Q'ty
	Part No.	Dimensions (mm)					
		L	W	H			
0.0010	ECWU2102V16	4.8	3.3	1.4	E1	3000	
0.0012	ECWU2122V16	4.8	3.3	1.4	E1		
0.0015	ECWU2152V16	4.8	3.3	1.4	E1		
0.0018	ECWU2182V16	4.8	3.3	1.4	E1		
0.0022	ECWU2222V16	4.8	3.3	1.4	E1		
0.0027	ECWU2272V16	4.8	3.3	1.4	E1		
0.0033	ECWU2332V16	4.8	3.3	1.4	E1		
0.0039	ECWU2392V16	4.8	3.3	1.4	E1		
0.0047	ECWU2472V16	4.8	3.3	1.4	E1		
0.0056	ECWU2562V16	4.8	3.3	1.4	E1		
0.0068	ECWU2682V16	4.8	3.3	1.4	E1		
0.0082	ECWU2822V16	4.8	3.3	1.4	E1		
0.010	ECWU2103V16	4.8	3.3	1.4	E1		
0.012	ECWU2123V16	4.8	3.3	1.4	E1		
0.015	ECWU2153V16	4.8	3.3	1.4	E1		
0.018	ECWU2183V16	4.8	3.3	2.0	E2		
0.022	ECWU2223V16	4.8	3.3	2.0	E2		
0.027	ECWU2273V16	4.8	3.3	2.4	E3a	2000	
0.033	ECWU2333V16	4.8	3.3	2.8	E3		
0.039	ECWU2393V16	6.0	4.1	2.0	D2	3000	
0.047	ECWU2473V16	6.0	4.1	2.4	D3	2000	
0.056	ECWU2563V16	6.0	4.1	2.8	D4		
0.068	ECWU2683V16	6.0	4.1	3.2	D5		
0.082	ECWU2823V16	6.0	5.0	3.2	B	1500	
0.10	ECWU2104V16	6.0	5.0	3.8	B		
0.12	ECWU2124V16	6.0	5.0	4.5	B		

Recommended for land dimensions

The diagram shows a top-down view of a capacitor land. It features two rectangular electrodes on a central land. Dimension 'A' is the width of the land between the electrodes. Dimension 'B' is the total width including both electrodes. Dimension 'C' is the height of the land. The label 'Electrode' points to one of the rectangular pads.

Unit : mm

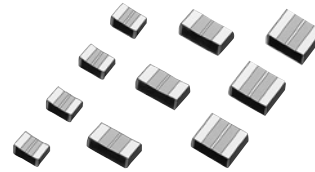
Size code	Land dimensions		
	Reflow soldering		
	A	B	C
E1, E2, E3a, E3	2.6	6.6	3.0
D2, D3, D4, D5	3.8	7.8	3.8
B	3.8	7.8	4.6

* It is not warrantable that you can mount the capacitor without trouble under all the mounting condition when "Recommender for Land dimensions" is adopted.

Stacked Metallized Plastic Film Chip Capacitor

Series : **ECPU(A)**

Stacked dielectric and inner electrode with simple mold - less construction



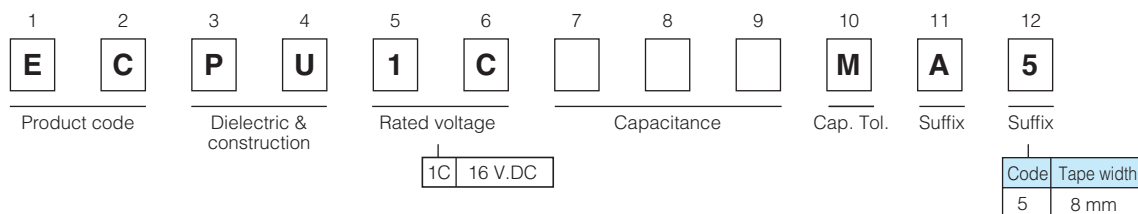
Features

- Low ESR
- Max. capacitance values 1.0 μF
- Smallest package size in film capacitors 3225/1.0 μF
- For reflow soldering
- RoHS directive compliant

Recommended applications

- Noise suppressor
- Audio circuit

Explanation of part number

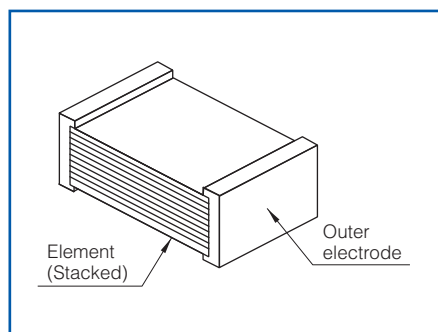


Specifications

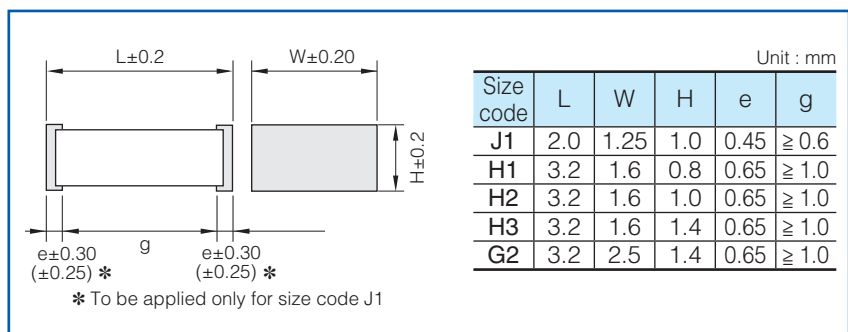
Category temp. range (Including temperature-rise on unit surface)	- 40 °C to +85 °C
Rated voltage	16 V.DC
Capacitance range	0.10 μF to 1.0 μF (E6)
Capacitance tolerance	$\pm 20\%$ (M)
Dissipation factor ($\tan \delta$)	$\tan \delta \leq 1.5\%$ (20 °C, 1 kHz)
Withstand voltage	Between terminals : Rated volt (V.DC) $\times 150\%$, 60 s
Insulation resistance (IR)	C $\leq 0.33 \mu\text{F}$: IR $\geq 1000 \text{ M}\Omega$ (20 °C, 10 V.DC, 60 s) C > 0.33 μF : IR $\geq 300 \text{ M}\Omega \cdot \mu\text{F}$ (20 °C, 10 V.DC, 60 s)
Soldering conditions	Reflow soldering : 240 °C max. and 30 sec max. at more than 220 °C (Temp. at capacitor surface)

* In case of applying voltage in alternating current (50 Hz or 60 Hz sine wave) to a capacitor with DC rated voltage, please refer to the page of "Permissible voltage (R.M.S) in alternating current corresponding to DC rated voltage".

Construction



Dimensions



Taping specification for automatic mounting

Refer to the page of taping specifications

Rating · Dimensions · Quantity

Capacitance (μ F)	Rated voltage 16 V.DC					Size code	Q'ty
	Part No.	Dimensions (mm)					
		L	W	H			
0.10	ECPU1C104MA5	2.0	1.25	1.0	J1	3000	
0.15	ECPU1C154MA5	3.2	1.6	0.8	H1		
0.22	ECPU1C224MA5	3.2	1.6	0.8	H1		
0.33	ECPU1C334MA5	3.2	1.6	1.0	H2		
0.47	ECPU1C474MA5	3.2	1.6	1.4	H3	2000	
0.68	ECPU1C684MA5	3.2	1.6	1.4	H3		
1.0	ECPU1C105MA5	3.2	2.5	1.4	G2		

Recommended for land dimensions

The diagram shows a top-down view of a capacitor. It features two rectangular electrodes. The distance between the inner edges of the electrodes is labeled 'Land'. The distance between the outer edges of the electrodes is labeled 'A'. The total width of the capacitor body is labeled 'B'. The height of the capacitor is labeled 'C'. One of the electrodes is labeled 'Electrode'.

Unit : mm

Size code	Land dimensions		
	Reflow soldering		
	A	B	C
J1	0.8	2.4	1.1
H1	1.8	3.6	1.4
H2	1.8	3.6	1.4
H3	1.8	3.6	1.4
G2	1.8	3.6	2.3

* It is not warrantable that you can mount the capacitor without trouble under all the mounting condition when "Recommender for Land dimensions" is adopted.

Metallized Polyester Film Capacitor

Series : **ECQE(F)**

Non-inductive construction using metallized Polyester film with flame retardant epoxy resin coating



Features

- Self-healing property
- Excellent electrical characteristics
- Flame retardant epoxy resin coating
- RoHS directive compliant

Recommended applications

- General purpose usage
 - * Please contact us when applications are CDI , ignitor etc.

Explanation of part number

1	2	3	4	5	6	7	8	9	10	11	12																																
E	C	Q	E							F																																	
Product code		Dielectric & construction		Rated voltage		Capacitance			Cap. Tol.	Suffix	Suffix																																
				<table border="1"> <tr> <td>1</td> <td>100 V.DC</td> <td>10</td> <td>1000 V.DC</td> </tr> <tr> <td>2</td> <td>250 V.DC</td> <td>12</td> <td>1250 V.DC</td> </tr> <tr> <td>4</td> <td>400 V.DC</td> <td>1A</td> <td>125 V.AC</td> </tr> <tr> <td>6</td> <td>630 V.DC</td> <td>2A</td> <td>250 V.AC</td> </tr> </table>		1	100 V.DC	10	1000 V.DC	2	250 V.DC	12	1250 V.DC	4	400 V.DC	1A	125 V.AC	6	630 V.DC	2A	250 V.AC				<table border="1"> <tr> <td>J</td> <td>±5 %</td> </tr> <tr> <td>K</td> <td>±10 %</td> </tr> </table>	J	±5 %	K	±10 %	<table border="1"> <thead> <tr> <th>Code</th> <th>Lead Form</th> </tr> </thead> <tbody> <tr> <td>Blank</td> <td>Straight</td> </tr> <tr> <td>B</td> <td>Crimped lead</td> </tr> <tr> <td>Z</td> <td>Cut lead</td> </tr> <tr> <td>3</td> <td>Crimped taping (Ammo)</td> </tr> <tr> <td>6</td> <td>Crimped taping (Ammo)</td> </tr> </tbody> </table>		Code	Lead Form	Blank	Straight	B	Crimped lead	Z	Cut lead	3	Crimped taping (Ammo)	6	Crimped taping (Ammo)
1	100 V.DC	10	1000 V.DC																																								
2	250 V.DC	12	1250 V.DC																																								
4	400 V.DC	1A	125 V.AC																																								
6	630 V.DC	2A	250 V.AC																																								
J	±5 %																																										
K	±10 %																																										
Code	Lead Form																																										
Blank	Straight																																										
B	Crimped lead																																										
Z	Cut lead																																										
3	Crimped taping (Ammo)																																										
6	Crimped taping (Ammo)																																										

● Odd size taping

1	2	3	4	5	6	7	8	9	10	11	12
E	C	Q	E						R		F
Product code		Dielectric & construction		Rated voltage		Capacitance			Suffix	Cap. Tol.	Suffix

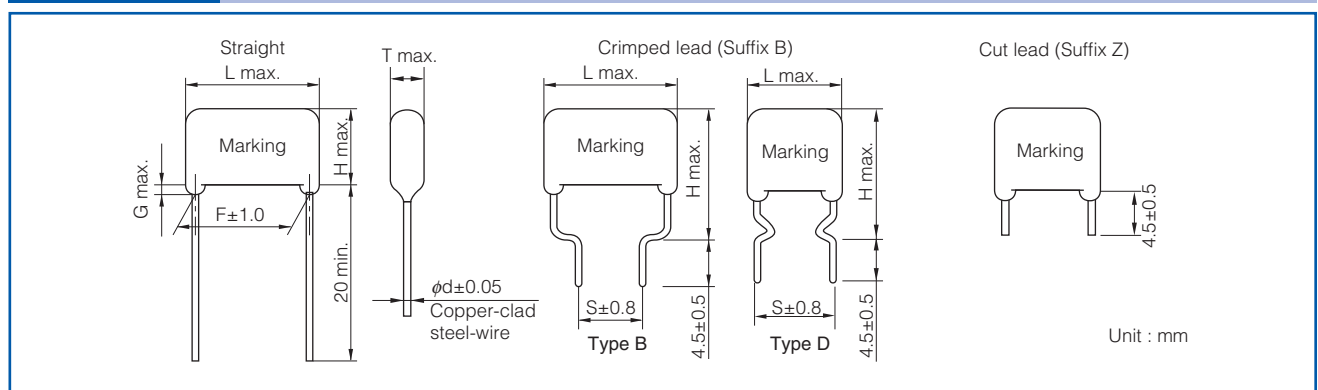
Specifications

Category temp. range (Including temperature-rise on unit surface)	100 V.DC, 250 V.DC, 400 V.DC, 630 V.DC, 1000 V.DC, 1250 V.DC	- 40 °C to +105 °C
	125 V.AC, 250 V.AC	- 40 °C to +105 °C
Rated voltage	100 V.DC, 250 V.DC, 400 V.DC, 630 V.DC, 1000 V.DC, 1250 V.DC (Derating of rated voltage by 1.25 %/°C at more than 85 °C) 125 V.AC, 250 V.AC	
Capacitance range	100 V.DC	0.56 μF to 10.0 μF (E12)
	250 V.DC	0.010 μF to 10.0 μF (E12)
	400 V.DC	0.010 μF to 2.2 μF (E12)
	630 V.DC	0.0010 μF to 2.2 μF (E12)
	1000 V.DC	0.010 μF to 0.22 μF (E12)
	1250 V.DC	0.0010 μF to 0.22 μF (E12)
	125 V.AC	0.010 μF to 0.068 μF (E12)
	250 V.AC	0.010 μF to 2.2 μF (E12)
Capacitance tolerance	±5 % (J), ±10 % (K)	
Dissipation factor (tan δ)	tan δ ≤ 1.0 % (20 °C, 1 kHz)	
Withstand voltage	<ul style="list-style-type: none"> Rated volt. : 100 V.DC to 630 V.DC Between terminals : Rated volt. (V.DC) × 150 %, 60 s 	
	<ul style="list-style-type: none"> Rated volt. : 1000 V.DC, 1250 V.DC Between terminals : Rated volt. (V.DC) × 175 %, 2 s to 5 s or 1000 V.AC, 60 s Between terminals to enclosure : 1500 V.AC, 60 s 	
	<ul style="list-style-type: none"> Rated volt. : 125 V.AC, 250 V.AC Between terminals : Rated volt. (V.AC) × 230 %, 60 s Between terminals to enclosure : 1500 V.AC, 60 s 	
Insulation resistance (IR)	100 V.DC to 630 V.DC : C ≤ 0.33 μF : IR ≥ 9000 MΩ C > 0.33 μF : IR ≥ 3000 MΩ · μF (20 °C, 100 V.DC, 60 s)	
	1000 V.DC, 1250 V.DC : IR ≥ 10000 MΩ (20 °C, 100 V.DC, 60 s) IR ≥ 2000 MΩ (20 °C, 500 V.DC, 60 s)	
	125 V.AC, 250 V.AC : C ≤ 0.47 μF : IR ≥ 2000 MΩ (20 °C, 500 V.DC, 60 s) C > 0.47 μF : IR ≥ 3000 MΩ · μF (20 °C, 100 V.DC, 60 s)	

* In case of applying voltage in alternating current (50 Hz or 60 Hz sine wave) to a capacitor with DC rated voltage, please refer to the page of "Permissible voltage (R.M.S) in alternating current corresponding to DC rated voltage".

* Voltage to be applied to ECQE1A (F) & ECQE2A (F) is only sine wave (50 Hz or 60 Hz).

Dimensions

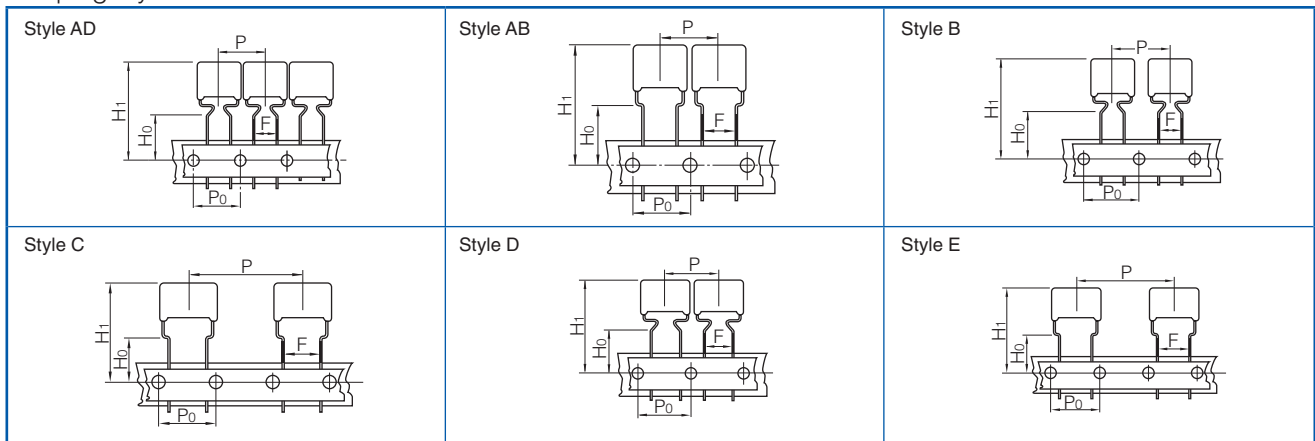


Packaging specifications for bulk package

- Packing quantity : 100 pcs./bag

Taping specifications for automatic insertion

● Taping style



* Refer to the page of taping specifications.

● Packaging specifications

Series	Rated voltage	Capacitance range (μF)	Taping style							Packing	suffix
			AD	AS	AB	B	C	D	E		
ECQE(F)	100 V.DC	0.56 to 0.68	○							Ammo	() F3
		0.82 to 1.0				○				Ammo	() F3
		1.2 to 3.3					○			Ammo	() F3
		1.2 to 3.3							○	Ammo	R() F
	250 V.DC	0.010 to 0.27	○							Ammo	() F3
		0.33				○				Ammo	() F3
		0.39 to 1.5					○			Ammo	() F3
		0.010 to 0.33						○		Ammo	R() F
	400 V.DC	0.39 to 1.5							○	Ammo	R() F
		0.010 to 0.10	○							Ammo	() F3
		0.12 to 0.47					○			Ammo	() F3
		0.010 to 0.10						○		Ammo	R() F
	630 V.DC	0.12 to 0.47							○	Ammo	R() F
		0.0010 to 0.033	○							Ammo	() F3
		0.039 to 0.047				○				Ammo	() F3
		0.056 to 0.22					○			Ammo	() F3
	1000 V.DC	0.001 to 0.047						○		Ammo	R() F
		0.056 to 0.22							○	Ammo	R() F
	1250 V.DC	0.010 to 0.10						○		Ammo	R() F
		0.0010 to 0.022							○	Ammo	R() F
125 V.AC	0.010 to 0.068			○					Ammo	() F6	
	0.010 to 0.068						○		Ammo	R() F	
250 V.AC	0.010 to 0.033			○					Ammo	() F6	
	0.010 to 0.047						○		Ammo	R() F	
	0.056 to 0.22							○	Ammo	R() F	

● Lead spacing

Style	Lead spacing
AD	5.0 mm
AB	5.0 mm
B	5.0 mm
C	5.0 mm
D	7.5 mm
E	7.5 mm

* See the column "Rating · Dimensions · Quantity" for packing quantity

Rating · Dimensions · Quantity

- Rated voltage : 100 V.DC, Capacitance tolerance : $\pm 5\%$ (J), $\pm 10\%$ (K)

Part No.	Cap. (μ F)	Dimensions (mm)								Min. order Q'ty			
		L max.	T max.	H max.		F	S	G max.	ϕ d	Taping		Bulk	
				Straight	Crimped lead					Standard 5 mm	Odd size 5 mm		Odd size 7.5 mm
ECQE1564□F()	0.56	12.0	5.5	10.9	15.9	10.0	10.0	1.0	0.6	500	-	-	500
ECQE1684□F()	0.68	12.0	6.0	11.9	16.9	10.0	10.0	1.0	0.6				
ECQE1824□F()	0.82	12.0	6.0	13.5	18.5	10.0	10.0	1.0	0.6				
ECQE1105□F()	1.0	12.0	6.7	14.0	19.0	10.0	10.0	1.0	0.6				
ECQE1125□F()	1.2	18.5	5.5	12.8	17.8	15.0	10.0	1.0	0.6				
ECQE1155□F()	1.5	18.5	6.0	13.4	18.4	15.0	10.0	1.0	0.8				
ECQE1185□F()	1.8	18.5	6.5	14.4	19.4	15.0	10.0	1.0	0.8				
ECQE1225□F()	2.2	18.5	7.0	15.0	20.0	15.0	10.0	1.0	0.8				
ECQE1275□F()	2.7	18.5	8.0	15.8	20.8	15.0	10.0	1.0	0.8				
ECQE1335□F()	3.3	18.5	8.5	16.5	21.5	15.0	10.0	1.0	0.8				
ECQE1395□F()	3.9	26.0	7.0	16.4	21.4	22.5	15.0	1.0	0.8				
ECQE1475□F()	4.7	26.0	7.5	17.0	22.0	22.5	15.0	1.0	0.8				
ECQE1565□F()	5.6	26.0	8.3	17.5	22.5	22.5	15.0	1.0	0.8				
ECQE1685□F()	6.8	26.0	9.0	18.5	23.5	22.5	15.0	1.0	0.8				
ECQE1825□F()	8.2	26.0	10.0	20.0	25.0	22.5	15.0	1.5	0.8				
ECQE1106□F()	10.0	26.0	11.5	21.0	26.0	22.5	15.0	1.5	0.8				

- * □ : Capacitance tolerance code
- () : Suffix for lead crimped or taped type

Type D : 0.56 μ F to 1.0 μ F
Type B : 1.2 μ F to 10.0 μ F

Rating · Dimensions · Quantity

- Rated voltage : 250 V.DC, Capacitance tolerance : $\pm 5\%$ (J), $\pm 10\%$ (K)

Part No.	Cap. (μ F)	Dimensions (mm)								Min. order Q'ty			
		L max.	T max.	H max.		F	S	G max.	ϕ d	Taping		Bulk	
				Straight	Crimped lead					Standard 5 mm	Odd size 5 mm	Odd size 7.5 mm	Straight
ECQE2103□F()	0.010	10.3	4.3	7.4	12.4	7.5	7.5	1.0	0.6	1000	-	1000	500
ECQE2123□F()	0.012	10.3	4.4	7.5	12.5	7.5	7.5	1.0	0.6				
ECQE2153□F()	0.015	10.3	4.4	7.5	12.5	7.5	7.5	1.0	0.6				
ECQE2183□F()	0.018	10.3	4.4	7.5	12.5	7.5	7.5	1.0	0.6				
ECQE2223□F()	0.022	10.3	4.4	7.5	12.5	7.5	7.5	1.0	0.6				
ECQE2273□F()	0.027	10.3	4.4	7.5	12.5	7.5	7.5	1.0	0.6				
ECQE2333□F()	0.033	10.3	4.5	7.5	12.5	7.5	7.5	1.0	0.6				
ECQE2393□F()	0.039	10.3	4.5	7.5	12.5	7.5	7.5	1.0	0.6				
ECQE2473□F()	0.047	10.3	4.5	7.5	12.5	7.5	7.5	1.0	0.6				
ECQE2563□F()	0.056	10.3	4.8	7.9	12.9	7.5	7.5	1.0	0.6				
ECQE2683□F()	0.068	10.3	4.5	7.5	12.5	7.5	7.5	1.0	0.6				
ECQE2823□F()	0.082	10.3	4.9	8.0	13.0	7.5	7.5	1.0	0.6				
ECQE2104□F()	0.10	10.3	5.8	8.4	13.4	7.5	7.5	1.0	0.6				
ECQE2124□F()	0.12	10.3	6.0	9.0	14.0	7.5	7.5	1.0	0.6				
ECQE2154□F()	0.15	10.3	6.0	10.8	15.8	7.5	7.5	1.0	0.6				
ECQE2184□F()	0.18	12.0	5.0	10.3	15.3	10.0	10.0	1.0	0.6				
ECQE2224□F()	0.22	12.0	5.5	10.5	15.5	10.0	10.0	1.0	0.6				
ECQE2274□F()	0.27	12.0	6.0	11.5	16.5	10.0	10.0	1.0	0.6				
ECQE2334□F()	0.33	12.0	6.5	12.0	17.0	10.0	10.0	1.0	0.6				
ECQE2394□F()	0.39	18.5	4.9	12.0	17.0	15.0	10.0	1.0	0.6				
ECQE2474□F()	0.47	18.5	5.3	12.5	17.5	15.0	10.0	1.0	0.6				
ECQE2564□F()	0.56	18.5	5.5	13.0	18.0	15.0	10.0	1.0	0.6				
ECQE2684□F()	0.68	18.5	6.0	13.5	18.5	15.0	10.0	1.0	0.8				
ECQE2824□F()	0.82	18.5	6.5	14.5	19.5	15.0	10.0	1.0	0.8				
ECQE2105□F()	1.0	18.5	7.4	15.0	20.0	15.0	10.0	1.0	0.8				
ECQE2125□F()	1.2	18.5	8.0	15.9	20.9	15.0	10.0	1.0	0.8				
ECQE2155□F()	1.5	18.5	9.0	16.8	21.8	15.0	10.0	1.0	0.8				
ECQE2185□F()	1.8	26.0	7.5	15.5	20.5	22.5	15.0	1.0	0.8				
ECQE2225□F()	2.2	26.0	8.5	16.3	21.3	22.5	15.0	1.0	0.8				
ECQE2275□F()	2.7	26.0	9.4	17.0	22.0	22.5	15.0	1.0	0.8				
ECQE2335□F()	3.3	26.0	10.3	18.0	23.0	22.5	15.0	1.5	0.8				
ECQE2395□F()	3.9	26.0	11.0	20.5	25.5	22.5	15.0	1.5	0.8				
ECQE2475□F()	4.7	26.0	12.0	21.5	26.5	22.5	15.0	1.5	0.8				
ECQE2565□F()	5.6	31.0	11.8	21.0	26.0	27.5	22.5	1.5	0.8				
ECQE2685□F()	6.8	31.0	13.0	22.4	27.4	27.5	22.5	1.5	0.8				
ECQE2825□F()	8.2	31.0	14.3	23.5	28.5	27.5	22.5	1.5	0.8				
ECQE2106□F()	10.0	31.0	15.9	25.8	30.8	27.5	22.5	1.5	0.8				

- * □ : Capacitance tolerance code
- () : Suffix for lead crimped or taped type

Type D : 0.010 μ F to 0.33 μ F
Type B : 0.39 μ F to 10.0 μ F

Rating · Dimensions · Quantity

● Rated voltage : 400 V.DC, Capacitance tolerance : ± 5 % (J), ± 10 % (K)

Part No.	Cap. (μ F)	Dimensions (mm)								Min. order Q'ty						
		L max.	T max.	H max.		F		S		G max.	ϕ d	Taping			Bulk Straight - Crimped lead	
				Straight	Crimped lead	Straight	Crimped lead	Straight	Crimped lead			Standard 5 mm	Odd size 5 mm	Odd size 7.5 mm		
ECQE4103□F()	0.010	10.3	4.3	7.4	12.4	7.5	7.5	1.0	0.6	1000	-	1000	500			
ECQE4123□F()	0.012	10.3	4.4	7.5	12.5	7.5	7.5	1.0	0.6							
ECQE4153□F()	0.015	10.3	4.4	7.5	12.5	7.5	7.5	1.0	0.6							
ECQE4183□F()	0.018	10.3	4.4	7.5	12.5	7.5	7.5	1.0	0.6							
ECQE4223□F()	0.022	10.3	4.8	7.9	12.9	7.5	7.5	1.0	0.6							
ECQE4273□F()	0.027	10.3	5.5	8.0	13.0	7.5	7.5	1.0	0.6							
ECQE4333□F()	0.033	10.3	6.0	9.0	14.0	7.5	7.5	1.0	0.6	500	-	1000				
ECQE4393□F()	0.039	12.0	4.9	8.0	13.0	10.0	10.0	1.0	0.6							
ECQE4473□F()	0.047	12.0	5.0	8.3	13.3	10.0	10.0	1.0	0.6							
ECQE4563□F()	0.056	12.0	5.0	10.0	15.0	10.0	10.0	1.0	0.6							
ECQE4683□F()	0.068	12.0	5.4	10.5	15.5	10.0	10.0	1.0	0.6							
ECQE4823□F()	0.082	12.0	5.8	11.0	16.0	10.0	10.0	1.0	0.6							
ECQE4104□F()	0.10	12.0	6.3	12.0	17.0	10.0	10.0	1.0	0.6	-	500	500				
ECQE4124□F()	0.12	18.5	5.0	10.0	15.0	15.0	10.0	1.0	0.6							
ECQE4154□F()	0.15	18.5	5.0	12.4	17.4	15.0	10.0	1.0	0.6							
ECQE4184□F()	0.18	18.5	5.4	12.5	17.5	15.0	10.0	1.0	0.6							
ECQE4224□F()	0.22	18.5	5.9	13.0	18.0	15.0	10.0	1.0	0.6							
ECQE4274□F()	0.27	18.5	6.5	14.3	19.3	15.0	10.0	1.0	0.8							
ECQE4334□F()	0.33	18.5	7.0	14.9	19.9	15.0	10.0	1.0	0.8							
ECQE4394□F()	0.39	18.5	7.5	15.4	20.4	15.0	10.0	1.0	0.8					400		
ECQE4474□F()	0.47	18.5	7.8	17.0	22.0	15.0	10.0	1.0	0.8							
ECQE4564□F()	0.56	26.0	6.5	16.0	21.0	22.5	15.0	1.0	0.8					-	-	-
ECQE4684□F()	0.68	26.0	7.0	16.5	21.5	22.5	15.0	1.0	0.8							
ECQE4824□F()	0.82	26.0	7.9	17.3	22.3	22.5	15.0	1.0	0.8							
ECQE4105□F()	1.0	26.0	8.5	18.0	23.0	22.5	15.0	1.0	0.8							
ECQE4125□F()	1.2	26.0	9.5	18.9	23.9	22.5	15.0	1.0	0.8							
ECQE4155□F()	1.5	31.0	9.5	19.0	24.0	27.5	22.5	1.0	0.8							
ECQE4185□F()	1.8	31.0	11.0	20.5	25.5	27.5	22.5	1.5	0.8							
ECQE4225□F()	2.2	31.0	11.0	22.0	27.0	27.5	22.5	1.5	0.8							

* □ : Capacitance tolerance code
() : Suffix for lead crimped or taped type

Type D : 0.010 μ F to 0.10 μ F
Type B : 0.12 μ F to 2.2 μ F

Rating · Dimensions · Quantity

● Rated voltage : 630 V.DC, Capacitance tolerance : ± 5 % (J), ±10 % (K)

Part No.	Cap. (μ F)	Dimensions (mm)								Min. order Q'ty				
		L max.	T max.	H max.		F	S	G max.	ϕ d	Taping			Bulk	
				Straight	Crimped lead					Straight	Crimped lead	Straight	Standard 5 mm	Odd size 5 mm
ECQE6102□F()	0.0010	10.0	4.5	9.5	14.5	7.5	5.0	1.0	0.6	1000	-	1000	500	500
ECQE6122□F()	0.0012	10.0	4.5	10.0	15.0	7.5	5.0	1.0	0.6					
ECQE6152□F()	0.0015	10.0	4.5	10.0	15.0	7.5	5.0	1.0	0.6					
ECQE6182□F()	0.0018	10.0	4.5	10.0	15.0	7.5	5.0	1.0	0.6					
ECQE6222□F()	0.0022	10.0	4.5	10.0	15.0	7.5	5.0	1.0	0.6					
ECQE6272□F()	0.0027	10.0	4.5	10.0	15.0	7.5	5.0	1.0	0.6					
ECQE6332□F()	0.0033	10.0	4.5	10.0	15.0	7.5	5.0	1.0	0.6					
ECQE6392□F()	0.0039	10.0	4.5	10.0	15.0	7.5	5.0	1.0	0.6					
ECQE6472□F()	0.0047	12.0	4.5	10.0	15.0	10.0	7.5	1.0	0.6					
ECQE6562□F()	0.0056	12.0	4.5	10.0	15.0	10.0	7.5	1.0	0.6					
ECQE6682□F()	0.0068	12.0	4.9	10.0	15.0	10.0	7.5	1.0	0.6					
ECQE6822□F()	0.0082	12.0	4.5	10.0	15.0	10.0	7.5	1.0	0.6					
ECQE6103□F()	0.010	12.0	4.5	7.5	12.5	10.0	10.0	1.0	0.6					
ECQE6123□F()	0.012	12.0	4.5	7.8	12.8	10.0	10.0	1.0	0.6					
ECQE6153□F()	0.015	12.0	5.0	8.2	13.2	10.0	10.0	1.0	0.6					
ECQE6183□F()	0.018	12.0	4.9	10.0	15.0	10.0	10.0	1.0	0.6					
ECQE6223□F()	0.022	12.0	5.3	10.5	15.5	10.0	10.0	1.0	0.6					
ECQE6273□F()	0.027	12.0	5.5	10.9	15.9	10.0	10.0	1.0	0.6					
ECQE6333□F()	0.033	12.0	6.0	11.9	16.9	10.0	10.0	1.0	0.6					
ECQE6393□F()	0.039	12.0	6.0	13.4	18.4	10.0	10.0	1.0	0.6					
ECQE6473□F()	0.047	12.0	6.5	13.5	18.5	10.0	10.0	1.0	0.6					
ECQE6563□F()	0.056	18.5	5.4	10.5	15.5	15.0	10.0	1.0	0.6					
ECQE6683□F()	0.068	18.5	5.8	11.0	16.0	15.0	10.0	1.0	0.6					
ECQE6823□F()	0.082	18.5	6.5	12.0	17.0	15.0	10.0	1.0	0.6					
ECQE6104□F()	0.10	18.5	6.3	14.0	19.0	15.0	10.0	1.0	0.6					
ECQE6124□F()	0.12	18.5	6.3	14.5	19.5	15.0	10.0	1.0	0.8					
ECQE6154□F()	0.15	18.5	7.5	15.4	20.4	15.0	10.0	1.0	0.8					
ECQE6184□F()	0.18	18.5	8.0	16.0	21.0	15.0	10.0	1.0	0.8					
ECQE6224□F()	0.22	18.5	9.0	16.5	21.5	15.0	10.0	1.0	0.8					
ECQE6274□F()	0.27	26.0	7.0	16.5	21.5	22.5	15.0	1.0	0.8					
ECQE6334□F()	0.33	26.0	7.8	17.0	22.0	22.5	15.0	1.0	0.8					
ECQE6394□F()	0.39	26.0	8.5	17.9	22.9	22.5	15.0	1.0	0.8					
ECQE6474□F()	0.47	26.0	9.3	18.5	23.5	22.5	15.0	1.0	0.8					
ECQE6564□F()	0.56	26.0	10.0	20.0	25.0	22.5	15.0	1.5	0.8					
ECQE6684□F()	0.68	26.0	11.5	21.0	26.0	22.5	15.0	1.5	0.8					
ECQE6824□F()	0.82	31.0	11.3	20.5	25.5	27.5	22.5	1.5	0.8					
ECQE6105□F()	1.0	31.0	12.5	21.9	26.9	27.5	22.5	1.5	0.8					
ECQE6125□F()	1.2	31.0	13.5	23.0	28.0	27.5	22.5	1.5	0.8					
ECQE6155□F()	1.5	31.0	15.3	24.7	29.7	27.5	22.5	1.5	0.8					
ECQE6185□F()	1.8	31.0	16.8	27.0	32.0	27.5	22.5	1.5	0.8					
ECQE6225□F()	2.2	31.0	19.5	29.0	34.0	27.5	22.5	1.5	0.8					

* □ : Capacitance tolerance code
() : Suffix for lead crimped or taped type

Type D : 0.010 μ F to 0.047 μ F
Type B : 0.0010 μ F to 0.0082 μ F
0.056 μ F to 2.2 μ F

Rating · Dimensions · Quantity

- Rated voltage : 1000 V.DC, (Note) 125 V.AC, Capacitance tolerance : $\pm 5\%$ (J), $\pm 10\%$ (K)

Part No.	Cap. (μF)	Dimensions (mm)								Min. order Q'ty	
		L max.	T max.	H max.		F	S	G max.	ϕd	Taping	Bulk
				Straight	Crimped lead					Straight	Crimped lead
ECQE10103□F()	0.010	15.5	6.0	11.0	16.0	12.5	12.5	1.0	0.6	500	500
ECQE10123□F()	0.012	15.5	6.0	12.0	17.0	12.5	12.5	1.0	0.6		
ECQE10153□F()	0.015	15.5	7.0	12.5	17.5	12.5	12.5	1.0	0.6		
ECQE10183□F()	0.018	15.5	7.5	13.0	20.0	12.5	12.5	1.0	0.8	400	
ECQE10223□F()	0.022	15.5	7.5	15.5	22.5	12.5	12.5	1.0	0.8	500	
ECQE10273□F()	0.027	21.0	6.0	13.0	18.0	17.5	12.5	1.0	0.8		
ECQE10333□F()	0.033	21.0	6.5	14.0	19.0	17.5	12.5	1.0	0.8	500	
ECQE10393□F()	0.039	21.0	7.0	14.5	19.5	17.5	12.5	1.0	0.8		
ECQE10473□F()	0.047	21.0	7.5	15.5	20.5	17.5	12.5	1.0	0.8	400	
ECQE10563□F()	0.056	21.0	7.5	17.0	22.0	17.5	12.5	1.0	0.8		
ECQE10683□F()	0.068	21.0	8.5	18.0	23.0	17.5	12.5	1.0	0.8	300	
ECQE10823□F()	0.082	21.0	9.0	18.5	23.5	17.5	12.5	1.0	0.8		
ECQE10104□F()	0.10	21.0	10.0	20.0	25.0	17.5	12.5	1.0	0.8	-	
ECQE10124□F()	0.12	26.0	9.0	18.5	23.5	22.5	17.5	1.0	0.8		
ECQE10154□F()	0.15	26.0	10.0	20.0	25.0	22.5	17.5	1.5	0.8		
ECQE10184□F()	0.18	26.0	10.5	22.0	27.0	22.5	17.5	1.5	0.8		
ECQE10224□F()	0.22	26.0	12.0	23.0	28.0	22.5	17.5	1.5	0.8		

- * □ : Capacitance tolerance code
- () : Suffix for lead crimped or taped type

Type D : 0.010 μF to 0.022 μF
 Type B : 0.027 μF to 0.22 μF

Note) This type has two rated voltage, one is DC rated voltage another is AC rated voltage.
 DC rated voltage is 1000 V.DC, AC rated voltage is 125 V.AC.
 Making for rated voltage is "1000 V, 125 V \sim "

When capacitors use in secondary side of power source, and in case of applying voltage in altering current (50 Hz or 60 Hz sine wave) to a capacitor, please refer to the page of "Permissible voltage (R.M.S) in altering current corresponding to DC rated voltage".

When capacitors use in primary side of power source, the rated voltage is shown 125 V.AC. Voltage to be applied to capacitors in only sine wave (50 Hz or 60 Hz).

AC rated capacitors complying with clause 1 of "Electrical Appliance and Material Safety Law". And not complying with clause 2 of "Electrical Appliance and Material Safety Law", in this case please use ECQUA type or ECQUL type.

Rating · Dimensions · Quantity

● Rated voltage : 1250 V.DC, (Note) 125 V.AC, Capacitance tolerance : $\pm 5\%$ (J), $\pm 10\%$ (K)

Part No.	Cap. (μF)	Dimensions (mm)								Min. order Q'ty				
		L max.	T max.	H max.		F		S		G max.	ϕd	Taping	Bulk	
				Straight	Crimped lead	Straight	Crimped lead	Straight	Crimped lead			7.5 mm	Straight	Crimped lead
ECQE12102□F()	0.0010	15.5	6.0	11.0	16.0	12.5	10.0	1.0	0.6	500	500	500		
ECQE12122□F()	0.0012	15.5	6.0	11.0	16.0	12.5	10.0	1.0	0.6					
ECQE12152□F()	0.0015	15.5	6.0	11.0	16.0	12.5	10.0	1.0	0.6					
ECQE12182□F()	0.0018	15.5	6.0	11.0	16.0	12.5	10.0	1.0	0.6					
ECQE12222□F()	0.0022	15.5	6.0	11.5	16.5	12.5	10.0	1.0	0.6					
ECQE12272□F()	0.0027	15.5	6.5	12.0	17.0	12.5	10.0	1.0	0.6					
ECQE12332□F()	0.0033	15.5	6.0	11.5	16.5	12.5	10.0	1.0	0.6					
ECQE12392□F()	0.0039	15.5	6.5	12.0	17.0	12.5	10.0	1.0	0.6					
ECQE12472□F()	0.0047	15.5	7.0	12.5	17.5	12.5	10.0	1.0	0.6					
ECQE12562□F()	0.0056	15.5	7.5	13.0	18.0	12.5	10.0	1.0	0.6					
ECQE12682□F()	0.0068	15.5	7.5	15.0	20.0	12.5	10.0	1.0	0.6	400	500	500		
ECQE12822□F()	0.0082	21.0	5.0	12.0	17.0	17.5	12.5	1.0	0.6					
ECQE12103□F()	0.010	21.0	5.0	12.5	17.5	17.5	12.5	1.0	0.6	500	500	500		
ECQE12123□F()	0.012	21.0	5.5	13.0	18.0	17.5	12.5	1.0	0.6					
ECQE12153□F()	0.015	21.0	6.0	13.5	18.5	17.5	12.5	1.0	0.6					
ECQE12183□F()	0.018	21.0	6.5	14.5	19.5	17.5	12.5	1.0	0.8					
ECQE12223□F()	0.022	21.0	7.0	15.0	20.0	17.5	12.5	1.0	0.8					
ECQE12273□F()	0.027	26.0	6.0	15.5	20.5	22.5	17.5	1.0	0.8					
ECQE12333□F()	0.033	26.0	6.5	16.0	21.0	22.5	17.5	1.0	0.8	-	400	500		
ECQE12393□F()	0.039	26.0	7.0	16.5	21.5	22.5	17.5	1.0	0.8					
ECQE12473□F()	0.047	26.0	8.0	17.0	22.0	22.5	17.5	1.0	0.8					
ECQE12563□F()	0.056	31.0	7.5	17.0	22.0	27.5	22.5	1.0	0.8					
ECQE12683□F()	0.068	31.0	8.0	17.5	22.5	27.5	22.5	1.0	0.8					
ECQE12823□F()	0.082	31.0	9.0	18.5	23.5	27.5	22.5	1.0	0.8					
ECQE12104□F()	0.10	31.0	10.0	19.5	24.5	27.5	22.5	1.0	0.8					
ECQE12124□F()	0.12	31.0	11.5	20.5	25.5	27.5	22.5	1.5	0.8					
ECQE12154□F()	0.15	31.0	12.0	23.0	28.0	27.5	22.5	1.5	0.8					
ECQE12184□F()	0.18	31.0	13.0	24.5	29.5	27.5	22.5	1.5	0.8					
ECQE12224□F()	0.22	31.0	14.5	26.5	31.5	27.5	22.5	1.5	0.8					

* □ : Capacitance tolerance code
() : Suffix for lead crimped or taped type

Type D : 0.0010 μF to 0.0068 μF
Type B : 0.0082 μF to 0.22 μF

Note) This type has two rated voltage, one is DC rated voltage another is AC rated voltage.
DC rated voltage is 1250 V.DC, AC rated voltage is 125 V.AC.
Making for rated voltage is "1250 V, 125 V \sim "

When capacitors use in secondary side of power source, and in case of applying voltage in altering current (50 Hz or 60 Hz sine wave) to a capacitor, please refer to the page of "Permissible voltage (R.M.S) in altering current corresponding to DC rated voltage".

When capacitors use in primary side of power source, the rated voltage is shown 125 V.AC. Voltage to be applied to capacitors in only sine wave (50 Hz or 60 Hz).

AC rated capacitors complying with clause 1 of "Electrical Appliance and Material Safety Law". And not complying with clause 2 of "Electrical Appliance and Material Safety Law", in this case please use ECQUA type or ECQUL type.

Rating · Dimensions · Quantity

- Rated voltage : 125 V.AC, Capacitance tolerance : $\pm 5\%$ (J), $\pm 10\%$ (K)
Noise suppression Capacitors (Across-the-line)

Part No.	Cap. (μ F)	Dimensions (mm)								Min. order Q'ty					
		L max.	T max.	H max.		F		S		G max.	ϕ d	Taping			Bulk
				Straight	Crimped lead	Straight	Crimped lead	Straight	Straight			Standard 5 mm	Odd size 5 mm	Odd size 7.5 mm	
ECQE1A103□F()	0.010	10.5	4.5	7.5	12.5	7.5	7.5	7.5	1.0	0.6	1000	-	1000	500	
ECQE1A123□F()	0.012	10.5	4.4	7.5	12.5	7.5	7.5	1.0	0.6						
ECQE1A153□F()	0.015	10.5	4.4	7.5	12.5	7.5	7.5	1.0	0.6						
ECQE1A183□F()	0.018	10.5	4.4	7.5	12.5	7.5	7.5	1.0	0.6						
ECQE1A223□F()	0.022	10.5	4.4	7.5	12.5	7.5	7.5	1.0	0.6						
ECQE1A273□F()	0.027	10.5	4.4	7.5	12.5	7.5	7.5	1.0	0.6						
ECQE1A333□F()	0.033	10.5	4.5	7.8	12.8	7.5	7.5	1.0	0.6						
ECQE1A393□F()	0.039	10.5	4.5	7.8	12.8	7.5	7.5	1.0	0.6						
ECQE1A473□F()	0.047	10.5	5.5	8.0	13.0	7.5	7.5	1.0	0.6	500					
ECQE1A563□F()	0.056	10.5	5.9	8.5	13.5	7.5	7.5	1.0	0.6						
ECQE1A683□F()	0.068	10.5	6.3	9.4	14.4	7.5	7.5	1.0	0.6						

* □ : Capacitance tolerance code
() : Suffix for lead crimped or taped type

Type D : 0.010 μ F to 0.068 μ F

Notice for AC rated

AC rated capacitors complying with clause 1 of "Electrical Appliance and Material Safety Law".
As for clause 2 of "Electrical Appliance and Material Safety Law", please use ECQUA type or ECQUL type.

When using these capacitors as a across-the-line capacitor, it shall be required to follow either item 1. or item 2. condition.

1. Capacitor shall be connected in parallel with varistor (Specified varistor voltage in table 1.)
2. Voltage applied for capacitor shall not exceed other than specified in table 1, when using these capacitors

Table 1

Capacitor rated voltage	Varistor voltage	Pulse voltage
125 V.AC	250 V	250 V _{D-P}

Rating · Dimensions · Quantity

- Rated voltage : 250 V.AC, Capacitance tolerance : $\pm 5\%$ (J), $\pm 10\%$ (K)
Noise suppression Capacitors (Across-the-line)

Part No.	Cap. (μ F)	Dimensions (mm)								Min. order Q'ty				
		L max.	T max.	H max.		F		S	G max.	ϕ d	Taping		Bulk	
				Straight	Crimped lead	Straight	Crimped lead	Straight	Standard 5 mm		Odd size 7.5 mm	Straight	Crimped lead	
ECQE2A103□F()	0.010	12.5	5.5	10.8	15.8	10.0	10.0	1.0	0.6	500	1000			
ECQE2A123□F()	0.012	12.5	6.0	11.5	16.5	10.0	10.0	1.0	0.6					
ECQE2A153□F()	0.015	12.5	6.3	9.9	14.9	10.0	10.0	1.0	0.6					
ECQE2A183□F()	0.018	12.5	6.0	11.9	16.9	10.0	10.0	1.0	0.6					
ECQE2A223□F()	0.022	12.5	6.0	11.5	16.5	10.0	10.0	1.0	0.6					
ECQE2A273□F()	0.027	12.5	5.5	10.9	15.9	10.0	10.0	1.0	0.6					
ECQE2A333□F()	0.033	12.5	6.0	11.9	16.9	10.0	10.0	1.0	0.6					
ECQE2A393□F()	0.039	12.5	6.0	13.4	18.4	10.0	10.0	1.0	0.6					
ECQE2A473□F()	0.047	12.5	6.5	14.4	19.4	10.0	10.0	1.0	0.6					
ECQE2A563□F()	0.056	18.5	5.4	10.5	15.5	15.0	10.0	1.0	0.6					
ECQE2A683□F()	0.068	18.5	5.8	11.0	16.0	15.0	10.0	1.0	0.6					
ECQE2A823□F()	0.082	18.5	6.3	12.0	17.0	15.0	10.0	1.0	0.6					
ECQE2A104□F()	0.10	18.5	6.3	14.0	19.0	15.0	10.0	1.0	0.6					
ECQE2A124□F()	0.12	18.5	6.8	14.5	19.5	15.0	10.0	1.0	0.8					
ECQE2A154□F()	0.15	18.5	7.5	15.4	20.4	15.0	10.0	1.0	0.8					
ECQE2A184□F()	0.18	18.5	8.0	16.0	21.0	15.0	10.0	1.0	0.8					
ECQE2A224□F()	0.22	18.5	9.0	16.9	21.9	15.0	10.0	1.0	0.8					
ECQE2A274□F()	0.27	26.0	7.0	16.5	21.5	22.5	15.0	1.0	0.8					
ECQE2A334□F()	0.33	26.0	7.8	17.0	22.0	22.5	15.0	1.0	0.8					
ECQE2A394□F()	0.39	26.0	8.5	17.9	22.9	22.5	15.0	1.0	0.8					
ECQE2A474□F()	0.47	26.0	9.3	18.5	23.5	22.5	15.0	1.0	0.8					
ECQE2A564P()()	0.56	26.0	10.0	20.0	—	22.5	—	1.0	0.8					
ECQE2A684P()()	0.68	26.0	11.5	21.0	—	22.5	—	1.0	0.8					
ECQE2A824P()()	0.82	26.0	13.0	22.5	—	22.5	—	1.0	0.8					
ECQE2A105P()()	1.0	31.0	12.5	21.9	—	27.5	—	1.5	0.8					
ECQE2A125P()()	1.2	31.0	13.5	23.0	—	27.5	—	1.5	0.8					
ECQE2A155P()()	1.5	31.0	15.3	24.7	—	27.5	—	1.5	0.8					
ECQE2A185P()()	1.8	31.0	16.8	27.0	—	27.5	—	1.5	0.8					
ECQE2A225P()()	2.2	31.0	19.5	29.0	—	27.5	—	1.5	0.8					

- * □ : Capacitance tolerance code
() : Suffix for lead crimped or taped type

Type D : 0.010 μ F to 0.047 μ F
Type B : 0.056 μ F to 0.47 μ F

- * Please consult us about Crimped lead type of 0.56 μ F to 2.2 μ F.

Notice for AC rated

AC rated capacitors complying with clause 1 of "Electrical Appliance and Material Safety Law".
As for clause 2 of "Electrical Appliance and Material Safety Law", please use ECQUA type or ECQUL type.

When using these capacitors as a across-the-line capacitor, it shall be required to follow either item 1. or item 2. condition.

1. Capacitor shall be connected in parallel with varistor (Specified varistor voltage in table 1.)
2. Voltage applied for capacitor shall not exceed other than specified in table 1, when using these capacitors

Table 1

Capacitor rated voltage	Varistor voltage	Pulse voltage
250 V.AC	470 V	630 V _{0,P}

Metallized Polyester Film Capacitor

Series : **ECQE(B)**

Non-inductive construction using metallized polyester film with flame retardant epoxy resin coating



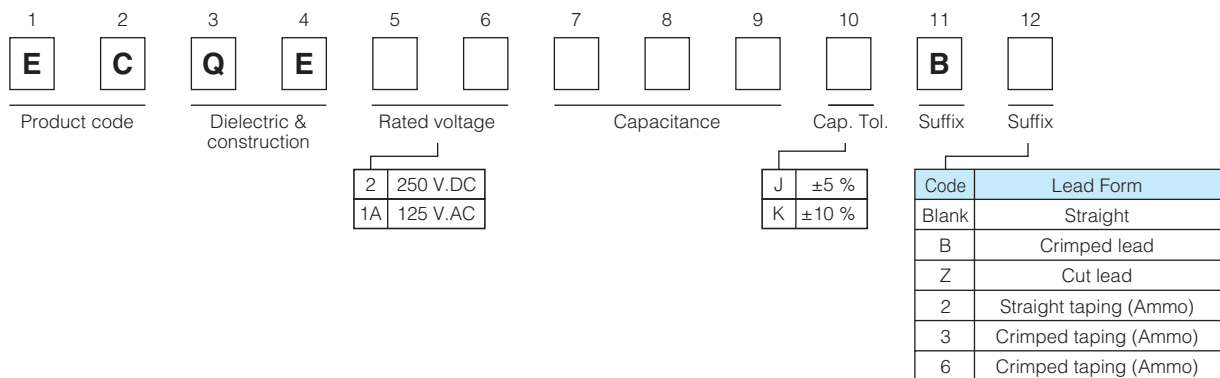
Features

- Self-healing property
- Small size
- Excellent electrical characteristics
- Flame retardant epoxy resin coating
- RoHS directive compliant

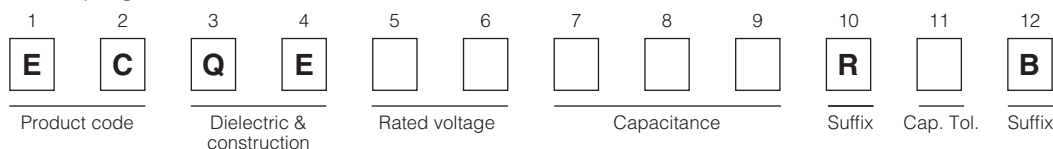
Recommended applications

- General purpose usage
 - * Please contact us when applications are CDI, ignitor etc.

Explanation of part number



- Odd size taping



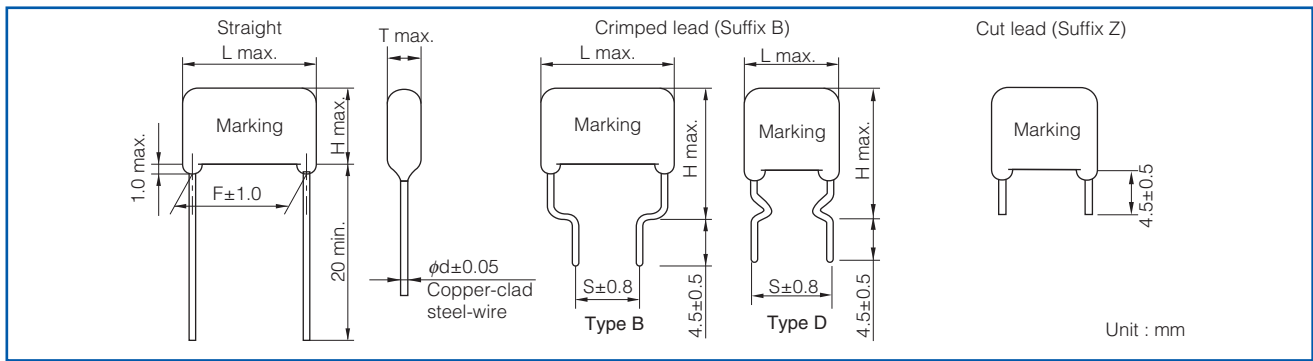
Specifications

Category temp. range (Including temperature-rise on unit surface)	250 V.DC	- 40 °C to +105 °C							
	125 V.AC	- 40 °C to +105 °C							
Rated voltage	250 V.DC, 125 V.AC (250 V.DC : Derating of rated voltage by 1.25 %/°C at more than 85 °C)								
Capacitance range	250 V.DC	0.010 μF to 4.7 μF (E12)							
	125 V.AC	0.010 μF to 4.7 μF (E12)							
Capacitance tolerance	±5 % (J), ±10 % (K)								
Dissipation factor (tan δ)	tan δ ≤ 1.0 % (20 °C, 1 kHz)								
Withstand voltage	<ul style="list-style-type: none"> • Rated volt. : 250 V.DC Between terminals : Rated volt. (V.DC) × 150 %, 60 s • Rated volt. : 125 V.AC Between terminals : Rated volt. (V.AC) × 230 %, 60 s Between terminals to enclosure : 1500 V.AC, 60 s 								
	Insulation resistance (IR)	<table border="1"> <tr> <td>250 V.DC</td> <td>C ≤ 0.33 μF : IR ≥ 9000 MΩ (20 °C, 100 V.DC, 60 s)</td> </tr> <tr> <td></td> <td>C > 0.33 μF : IR ≥ 3000 MΩ · μF (20 °C, 100 V.DC, 60 s)</td> </tr> <tr> <td>125 V.AC</td> <td>C ≤ 0.47 μF : IR ≥ 2000 MΩ (20 °C, 500 V.DC, 60 s)</td> </tr> <tr> <td></td> <td>C > 0.47 μF : IR ≥ 3000 MΩ · μF (20 °C, 100 V.DC, 60 s)</td> </tr> </table>	250 V.DC	C ≤ 0.33 μF : IR ≥ 9000 MΩ (20 °C, 100 V.DC, 60 s)		C > 0.33 μF : IR ≥ 3000 MΩ · μF (20 °C, 100 V.DC, 60 s)	125 V.AC	C ≤ 0.47 μF : IR ≥ 2000 MΩ (20 °C, 500 V.DC, 60 s)	
250 V.DC	C ≤ 0.33 μF : IR ≥ 9000 MΩ (20 °C, 100 V.DC, 60 s)								
	C > 0.33 μF : IR ≥ 3000 MΩ · μF (20 °C, 100 V.DC, 60 s)								
125 V.AC	C ≤ 0.47 μF : IR ≥ 2000 MΩ (20 °C, 500 V.DC, 60 s)								
	C > 0.47 μF : IR ≥ 3000 MΩ · μF (20 °C, 100 V.DC, 60 s)								

* In case of applying voltage in alternating current (50 Hz or 60 Hz sine wave) to a capacitor with DC rated voltage, please refer to the page of "Permissible voltage (R.M.S) in alternating current corresponding to DC rated voltage".

* Voltage to be applied to ECQE1A (B) is only sine wave (50 Hz or 60 Hz).

Dimensions

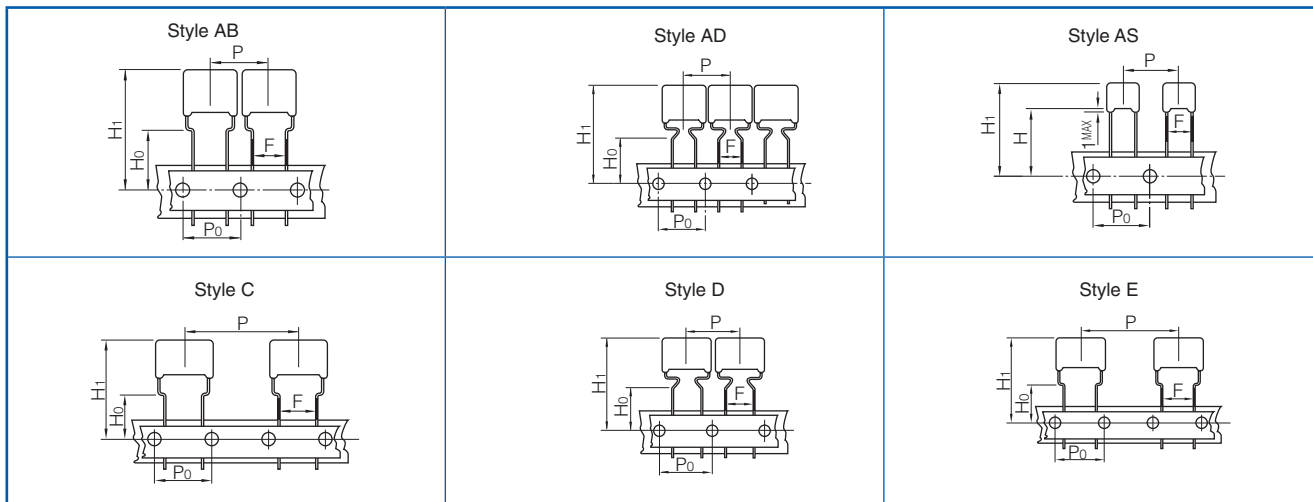


Packaging specifications for bulk package

- Packing quantity : 100 pcs./bag

Taping specifications for automatic insertion

- Taping style



* Refer to the page of taping specifications.

- Packaging specifications

Series	Rated voltage	Capacitance range (μF)	Taping style							Packing	suffix
			AD	AS	AB	B	C	D	E		
ECQE(B)	250 V.DC	0.010 to 0.15		○						Ammo	() B2
		0.010 to 0.68	○							Ammo	() B3
		0.82 to 1.5					○			Ammo	() B3
		0.18 to 0.68						○		Ammo	R() B
		0.82 to 4.7							○	Ammo	R() B
	125 V.AC	0.010 to 0.068		○						Ammo	() B2
		0.082 to 0.22			○					Ammo	() B6
		0.27 to 2.7					○			Ammo	() B3
		0.082 to 0.68						○		Ammo	R() B
		0.82 to 2.7							○	Ammo	R() B

- Lead spacing

Style	Lead spacing
AD	5.0 mm
AS	5.0 mm
AB	5.0 mm
C	5.0 mm
D	7.5 mm
E	7.5 mm

* See the column "Rating · Dimensions · Quantity" for packing quantity

Rating · Dimensions · Quantity

● Rated voltage : 250 V.DC, Capacitance tolerance : ± 5 %(J), ±10 %(K)

Part No.	Cap. (μ F)	Dimensions (mm)							Min. order Q'ty									
		L max.	T max.	H max.		F	S	ϕ d	Taping			Bulk						
				Straight	Crimped lead	Straight	Crimped lead		Standard 5 mm	Odd size 5 mm	Odd size 7.5 mm	Straight - Crimped lead						
ECQE2103□B()	0.010	7.9	4.2	7.1	12.1	5.0	5.0	0.5	2000									
ECQE2123□B()	0.012	7.9	4.2	7.1	12.1	5.0	5.0	0.5										
ECQE2153□B()	0.015	7.9	4.2	7.1	12.1	5.0	5.0	0.5										
ECQE2183□B()	0.018	7.9	4.3	7.2	12.2	5.0	5.0	0.5										
ECQE2223□B()	0.022	7.9	4.3	7.2	12.2	5.0	5.0	0.5										
ECQE2273□B()	0.027	7.9	4.3	7.2	12.2	5.0	5.0	0.5										
ECQE2333□B()	0.033	7.9	4.3	7.2	12.2	5.0	5.0	0.5										
ECQE2393□B()	0.039	7.9	4.5	7.4	12.4	5.0	5.0	0.5	1500		-							
ECQE2473□B()	0.047	7.9	4.5	7.4	12.4	5.0	5.0	0.5										
ECQE2563□B()	0.056	7.9	4.7	7.7	12.7	5.0	5.0	0.5										
ECQE2683□B()	0.068	7.9	5.1	8.0	13.0	5.0	5.0	0.5	1000									
ECQE2823□B()	0.082	7.9	5.4	8.6	13.6	5.0	5.0	0.5										
ECQE2104□B()	0.10	7.9	5.9	9.0	14.0	5.0	5.0	0.5										
ECQE2124□B()	0.12	7.9	5.7	10.6	15.6	5.0	5.0	0.5	1500	-								
ECQE2154□B()	0.15	7.9	6.3	11.2	16.2	5.0	5.0	0.5	1000									
ECQE2184□B()	0.18	10.3	5.0	9.7	14.7	7.5	5.0	0.5	1500			1500						
ECQE2224□B()	0.22	10.3	5.4	10.1	15.1	7.5	5.0	0.5										
ECQE2274□B()	0.27	10.3	5.9	10.8	15.8	7.5	5.0	0.5	1000			1000						
ECQE2334□B()	0.33	10.3	6.4	11.3	16.3	7.5	5.0	0.5										
ECQE2394□B()	0.39	12.3	5.7	10.9	15.9	10.0	5.0	0.6										
ECQE2474□B()	0.47	12.3	6.2	11.4	16.4	10.0	5.0	0.6										
ECQE2564□B()	0.56	12.3	6.7	11.9	16.9	10.0	5.0	0.6										
ECQE2684□B()	0.68	12.3	7.3	12.7	17.7	10.0	5.0	0.6										
ECQE2824□B()	0.82	15.3	6.3	13.3	18.3	12.5	5.0	0.6	-			600	500					
ECQE2105□B()	1.0	15.3	7.0	14.0	19.0	12.5	5.0	0.6							500	400		
ECQE2125□B()	1.2	15.3	7.6	14.6	19.6	12.5	5.0	0.6										
ECQE2155□B()	1.5	15.3	8.6	15.7	20.7	12.5	5.0	0.6							400	300		
ECQE2185□B()	1.8	20.8	7.6	14.6	19.6	17.5	10.0	0.8										
ECQE2225□B()	2.2	20.8	8.4	15.6	20.6	17.5	10.0	0.8								400		
ECQE2275□B()	2.7	20.8	9.3	16.7	21.7	17.5	10.0	0.8										
ECQE2335□B()	3.3	20.8	10.5	17.9	22.9	17.5	10.0	0.8										300
ECQE2395□B()	3.9	20.8	10.8	19.8	24.8	17.5	10.0	0.8										
ECQE2475□B()	4.7	20.8	11.9	21.0	26.0	17.5	10.0	0.8							200			

* □ : Capacitance tolerance code
() : Suffix for lead crimped or taped type

Type D : 0.010 μ F to 0.68 μ F
Type B : 0.82 μ F to 4.7 μ F

Rating · Dimensions · Quantity

● Rated voltage : 125 V.AC, Capacitance tolerance : ± 5 %(J), ±10 %(K)

Part No.	Cap. (μF)	Dimensions (mm)							Min. order Q'ty							
		L max.	T max.	H max.		F		S	φd	Taping			Bulk			
				Straight	Crimped lead	Straight	Crimped lead	Standard 5 mm		Odd size 5 mm	Odd size 7.5 mm	Straight - Crimped lead				
ECQE1A103□B()	0.010	7.9	4.2	7.1		5.0		0.5	2000							
ECQE1A123□B()	0.012	7.9	4.2	7.1		5.0		0.5								
ECQE1A153□B()	0.015	7.9	4.2	7.1		5.0		0.5								
ECQE1A183□B()	0.018	7.9	4.3	7.2		5.0		0.5								
ECQE1A223□B()	0.022	7.9	4.3	7.2		5.0		0.5								
ECQE1A273□B()	0.027	7.9	4.3	7.2	-	5.0	-	0.5								
ECQE1A333□B()	0.033	7.9	4.3	7.2		5.0		0.5								
ECQE1A393□B()	0.039	7.9	4.5	7.4		5.0		0.5								
ECQE1A473□B()	0.047	7.9	4.8	7.7		5.0		0.5								
ECQE1A563□B()	0.056	7.9	5.1	8.0		5.0		0.5								
ECQE1A683□B()	0.068	7.9	5.4	8.6		5.0		0.5								
ECQE1A823□B()	0.082	10.3	4.6	7.6	12.6	7.5	7.5	0.5					1500		1500	
ECQE1A104□B()	0.10	10.3	5.1	7.7	12.7	7.5	7.5	0.5								
ECQE1A124□B()	0.12	10.3	5.3	8.4	13.4	7.5	7.5	0.5								
ECQE1A154□B()	0.15	10.3	5.7	8.9	13.9	7.5	7.5	0.5								
ECQE1A184□B()	0.18	10.3	5.6	10.3	15.3	7.5	7.5	0.5								
ECQE1A224□B()	0.22	10.3	6.1	11.0	16.0	7.5	7.5	0.5	1000		1000	500				
ECQE1A274□B()	0.27	12.3	5.4	10.7	15.7	10.0	7.5	0.6								
ECQE1A334□B()	0.33	12.3	5.9	11.2	16.2	10.0	7.5	0.6								
ECQE1A394□B()	0.39	12.3	6.4	11.6	16.6	10.0	7.5	0.6								
ECQE1A474□B()	0.47	12.3	7.0	12.2	17.2	10.0	7.5	0.6								
ECQE1A564□B()	0.56	12.3	6.7	11.9	16.9	10.0	7.5	0.6								
ECQE1A684□B()	0.68	12.3	7.3	12.7	17.7	10.0	7.5	0.6								
ECQE1A824□B()	0.82	15.3	6.3	13.3	18.3	12.5	7.5	0.6								
ECQE1A105□B()	1.0	15.3	7.0	14.0	19.0	12.5	7.5	0.6								
ECQE1A125□B()	1.2	20.8	7.1	14.1	19.1	17.5	10.0	0.8					-		500	400
ECQE1A155□B()	1.5	20.8	8.0	15.1	20.1	17.5	10.0	0.8								
ECQE1A185□B()	1.8	20.8	8.7	15.9	20.9	17.5	10.0	0.8								
ECQE1A225□B()	2.2	20.8	9.7	17.1	22.1	17.5	10.0	0.8								
ECQE1A275□B()	2.7	20.8	10.9	18.2	23.2	17.5	10.0	0.8								
ECQE1A335□B()	3.3	25.8	9.6	18.7	23.7	22.5	15.0	0.8								
ECQE1A395□B()	3.9	25.8	10.6	19.7	24.7	22.5	15.0	0.8								
ECQE1A475□B()	4.7	25.8	11.8	20.8	25.8	22.5	15.0	0.8								

* □ : Capacitance tolerance code
 () : Suffix for lead crimped or taped type

Type D : 0.082 μF to 0.68 μF
 Type B : 0.82 μF to 4.7 μF

Notice for AC rated

AC rated capacitors complying with clause 1 of "Electrical Appliance and Material Safety Law".
 As for clause 2 of "Electrical Appliance and Material Safety Law", please use ECQUA type or ECQUL type.

When using these capacitors as a across-the-line capacitor, it shall be required to follow either item 1. or item 2. condition.

1. Capacitor shall be connected in parallel with varistor (Specified varistor voltage in table 1.)
2. Voltage applied for capacitor shall not exceed other than specified in table 1, when using these capacitors.

Table 1

Capacitor rated voltage	Varistor voltage	Pulse voltage
125 V.AC	250 V	250 V _{0,P}

Metallized Polyester Film Capacitor

Series : **ECQE(T)**



Non-inductive construction using metallized Polyester film with flame retardant epoxy resin coating

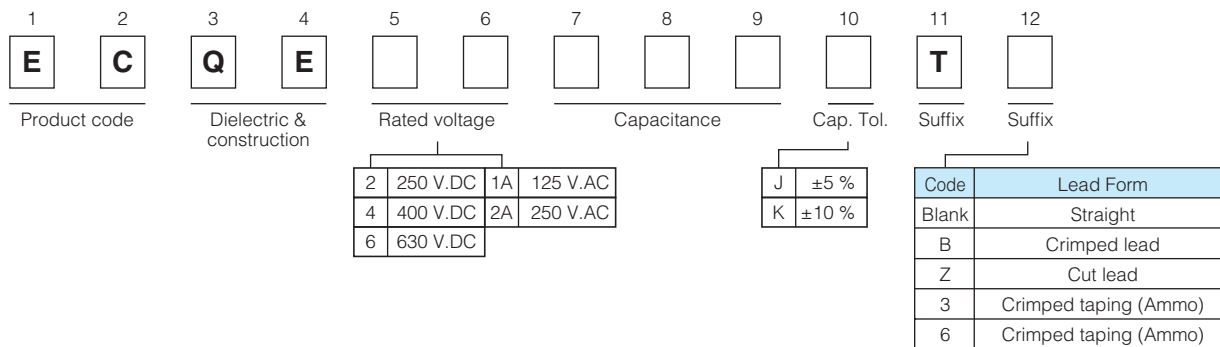
Features

- Self-healing property
- Excellent electrical characteristics
- Flame retardant epoxy resin coating
- Moisture resistance 85 °C, 85 % RH for 500 hours
- RoHS directive compliant

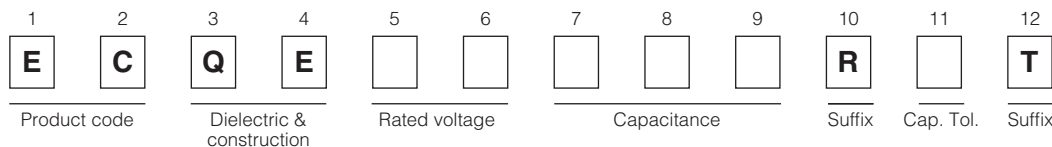
Recommended applications

- General purpose usage
 - * Please contact us when applications are CDI , ignitor etc.

Explanation of part number



- Odd size taping

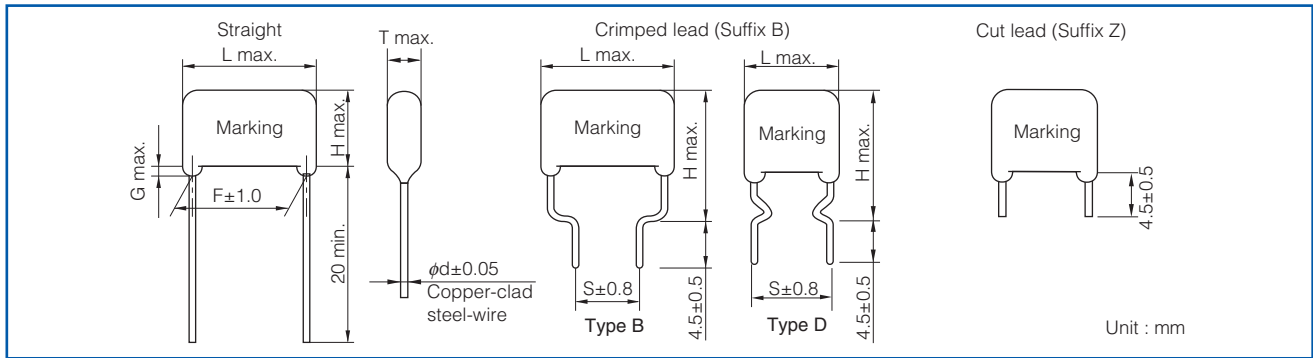


Specifications

Category temp. range (Including temperature-rise on unit surface)	250 V.DC, 400 V.DC, 630 V.DC	- 40 °C to +105 °C
	125 V.AC, 250 V.AC	- 40 °C to +105 °C
Rated voltage	250 V.DC, 400 V.DC, 630 V.DC (Derating of rated voltage by 1.25 %/°C at more than 85 °C) 125 V.AC, 250 V.AC	
Capacitance range	250 V.DC	0.010 μF to 10.0 μF (E12)
	400 V.DC	0.010 μF to 2.2 μF (E12)
	630 V.DC	0.010 μF to 2.2 μF (E12)
	125 V.AC	0.010 μF to 0.47 μF (E12)
	250 V.AC	0.010 μF to 0.47 μF (E12)
Capacitance tolerance	±5 % (J), ±10 % (K)	
Dissipation factor (tan δ)	tan δ ≤ 1.0 % (20 °C, 1 kHz)	
Withstand voltage	• Rated volt. : 250 V.DC to 630 V.DC Between terminals : Rated volt. (V.DC) × 150 %, 60 s	
	• Rated volt. : 125 V.AC, 250 V.AC Between terminals : Rated volt. (V.AC) × 230 %, 60 s Between terminals to enclosure : 1500 V.AC, 60 s	
Insulation resistance (IR)	250 V.DC to 630 V.DC : C ≤ 0.33 μF : IR ≥ 9000 MΩ (20 °C, 100 V.DC, 60 s) C > 0.33 μF : IR ≥ 3000 MΩ · μF	
	125 V.AC, 250 V.AC : IR ≥ 2000 MΩ (20 °C, 500 V.DC, 60 s)	

* In case of applying voltage in alternating current (50 Hz or 60 Hz sine wave) to a capacitor with DC rated voltage, please refer to the page of "Permissible voltage (R.M.S) in alternating current corresponding to DC rated voltage".
 * Voltage to be applied to ECQE1A (T) & ECQE2A (T) is only sine wave (50 Hz or 60 Hz).

Dimensions

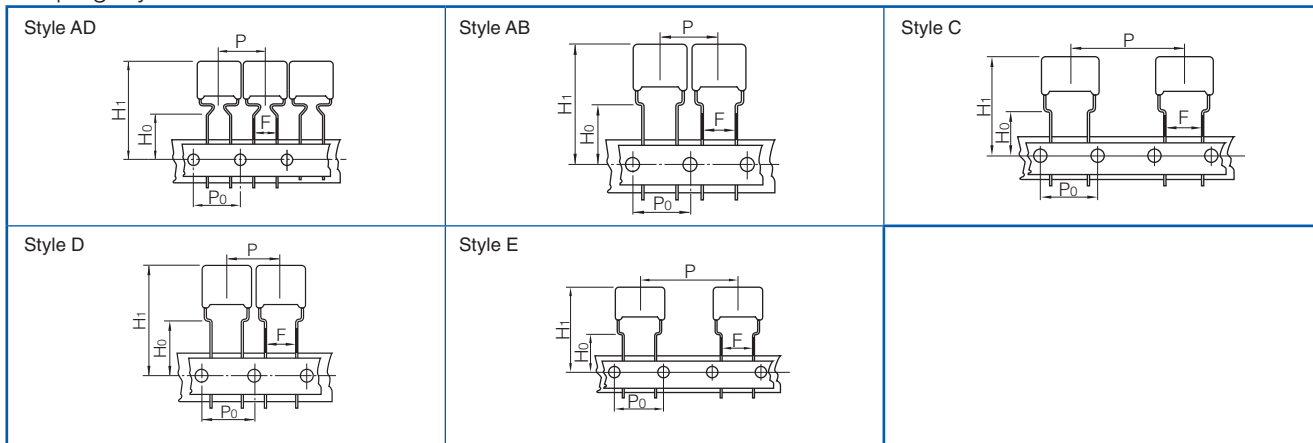


Packaging specifications for bulk package

- Packing quantity : 100 pcs./bag

Taping specifications for automatic insertion

- Taping style



* Refer to the page of taping specifications.

- Packaging specifications

Series	Rated voltage	Capacitance range (μF)	Taping style					Packing	suffix
			AD	AB	C	D	E		
ECQE(T)	250 V.DC	0.010 to 0.15	○					Ammo	() T3
		0.18 to 0.33			○			Ammo	() T3
		0.39 to 1.5			○			Ammo	() T3
		0.010 to 0.33				○		Ammo	R() T
		0.39 to 1.5					○	Ammo	R() T
	400 V.DC	0.010 to 0.033	○					Ammo	() T3
		0.039 to 0.10			○			Ammo	() T3
		0.12 to 0.47			○			Ammo	() T3
		0.010 to 0.10				○		Ammo	R() T
		0.12 to 0.47					○	Ammo	R() T
	630 V.DC	0.010 to 0.047			○			Ammo	() T3
		0.056 to 0.22			○			Ammo	() T3
		0.010 to 0.047				○		Ammo	R() T
		0.056 to 0.22					○	Ammo	R() T
	125 V.AC	0.27 to 0.47			○			Ammo	() T3
		0.010 to 0.10		○				Ammo	() T6
0.12 to 0.22				○			Ammo	() T6	
0.010 to 0.22					○		Ammo	R() T	
0.27 to 0.47						○	Ammo	R() T	
250 V.AC	0.056 to 0.22			○		○	Ammo	() T3	
	0.010 to 0.047			○			Ammo	() T6	
	0.010 to 0.047				○		Ammo	R() T	
	0.056 to 0.22					○	Ammo	R() T	

- Lead spacing

Style	Lead spacing
AD	5.0 mm
AB	5.0 mm
C	5.0 mm
D	7.5 mm
E	7.5 mm

* See the column "Rating · Dimensions · Quantity" for packing quantity

Rating · Dimensions · Quantity

● Rated voltage : 250 V.DC, Capacitance tolerance : ± 5 %(J), ±10 %(K)

Part No.	Cap. (μ F)	Dimensions (mm)								Min. order Q'ty						
		L max.	T max.	H max.		F		S		G max.	ϕ d	Taping			Bulk	
				Straight	Crimped lead	Straight	Crimped lead	Straight	Crimped lead			Straight	Crimped lead	Straight	Crimped lead	
ECQE2103□T()	0.010	10.8	4.3	7.4	12.4	7.5	7.5	1.0	0.6	1500	-	-	1800	500	500	
ECQE2123□T()	0.012	10.8	4.4	7.5	12.5	7.5	7.5	1.0	0.6				1700			
ECQE2153□T()	0.015	10.8	4.4	7.5	12.5	7.5	7.5	1.0	0.6				1700			
ECQE2183□T()	0.018	10.8	4.4	7.5	12.5	7.5	7.5	1.0	0.6				1700			
ECQE2223□T()	0.022	10.8	4.4	7.5	12.5	7.5	7.5	1.0	0.6				1700			
ECQE2273□T()	0.027	10.8	4.4	7.5	12.5	7.5	7.5	1.0	0.6				1700			
ECQE2333□T()	0.033	10.8	4.5	7.5	12.5	7.5	7.5	1.0	0.6				1700			
ECQE2393□T()	0.039	10.8	4.5	7.5	12.5	7.5	7.5	1.0	0.6				1700			
ECQE2473□T()	0.047	10.8	4.5	7.5	12.5	7.5	7.5	1.0	0.6				1700			
ECQE2563□T()	0.056	10.8	4.8	7.9	12.9	7.5	7.5	1.0	0.6				1600			
ECQE2683□T()	0.068	10.8	4.5	7.5	12.5	7.5	7.5	1.0	0.6				1700			
ECQE2823□T()	0.082	10.8	4.9	8.0	13.0	7.5	7.5	1.0	0.6				1500			
ECQE2104□T()	0.10	10.8	5.8	8.4	13.4	7.5	7.5	1.0	0.6				1300			
ECQE2124□T()	0.12	10.8	6.0	9.0	14.0	7.5	7.5	1.0	0.6				1200			
ECQE2154□T()	0.15	10.8	6.0	10.8	15.8	7.5	7.5	1.0	0.6				1200			
ECQE2184□T()	0.18	12.5	5.0	10.3	15.3	10.0	10.0	1.0	0.6	800	1400					
ECQE2224□T()	0.22	12.5	5.5	10.5	15.5	10.0	10.0	1.0	0.6	800	1300					
ECQE2274□T()	0.27	12.5	6.0	11.5	16.5	10.0	10.0	1.0	0.6	700	1200					
ECQE2334□T()	0.33	12.5	6.5	12.0	17.0	10.0	10.0	1.0	0.6	600	1100					
ECQE2394□T()	0.39	19.0	4.9	12.0	17.0	15.0	10.0	1.0	0.6	800	700					
ECQE2474□T()	0.47	19.0	5.3	12.5	17.5	15.0	10.0	1.0	0.6	700	600					
ECQE2564□T()	0.56	19.0	5.5	13.0	18.0	15.0	10.0	1.0	0.6	800						
ECQE2684□T()	0.68	19.0	6.0	13.5	18.5	15.0	10.0	1.0	0.8	700	500					
ECQE2824□T()	0.82	19.0	6.5	14.5	19.5	15.0	10.0	1.0	0.8	600						
ECQE2105□T()	1.0	19.0	7.4	15.0	20.0	15.0	10.0	1.0	0.8	500	400					
ECQE2125□T()	1.2	19.0	8.0	15.9	20.9	15.0	10.0	1.0	0.8							
ECQE2155□T()	1.5	19.0	9.0	16.8	21.8	15.0	10.0	1.0	0.8	400	-	-				
ECQE2185□T()	1.8	26.5	7.5	15.5	20.5	22.5	15.0	1.0	0.8							
ECQE2225□T()	2.2	26.5	8.5	16.3	21.3	22.5	15.0	1.0	0.8							
ECQE2275□T()	2.7	26.5	9.4	17.0	22.0	22.5	15.0	1.0	0.8							
ECQE2335□T()	3.3	26.5	10.3	18.0	23.0	22.5	15.0	1.5	0.8							
ECQE2395□T()	3.9	26.5	11.0	20.5	25.5	22.5	15.0	1.5	0.8							
ECQE2475□T()	4.7	26.5	12.0	21.5	26.5	22.5	15.0	1.5	0.8							
ECQE2565□T()	5.6	31.5	11.8	21.0	26.0	27.5	22.5	1.5	0.8							
ECQE2685□T()	6.8	31.5	13.0	22.4	27.4	27.5	22.5	1.5	0.8							
ECQE2825□T()	8.2	31.5	14.3	23.5	28.5	27.5	22.5	1.5	0.8	400						
ECQE2106□T()	10.0	31.5	15.9	25.8	30.8	27.5	22.5	1.5	0.8	300			400			

* □ : Capacitance tolerance code
() : Suffix for lead crimped or taped type

Type D : 0.010 μ F to 0.33 μ F
Type B : 0.39 μ F to 10.0 μ F

Rating · Dimensions · Quantity

- Rated voltage : 400 V.DC, Capacitance tolerance : $\pm 5\%$ (J), $\pm 10\%$ (K)

Part No.	Cap. (μ F)	Dimensions (mm)								Min. order Q'ty					
		L max.	T max.	H max.		F		S		G max.	ϕ d	Taping			Bulk
				Straight	Crimped lead	Straight	Crimped lead	Straight				Standard 5 mm	Odd size 5 mm	Odd size 7.5 mm	
ECQE4103□T()	0.010	10.8	4.3	7.4	12.4	7.5	7.5	1.0	0.6	1500	-	-	1800	500	
ECQE4123□T()	0.012	10.8	4.4	7.5	12.5	7.5	7.5	1.0	0.6				1700		
ECQE4153□T()	0.015	10.8	4.4	7.5	12.5	7.5	7.5	1.0	0.6				1600		
ECQE4183□T()	0.018	10.8	4.4	7.5	12.5	7.5	7.5	1.0	0.6				1400		
ECQE4223□T()	0.022	10.8	4.8	7.9	12.9	7.5	7.5	1.0	0.6				1200		
ECQE4273□T()	0.027	10.8	5.5	8.0	13.0	7.5	7.5	1.0	0.6						
ECQE4333□T()	0.033	10.8	6.0	9.0	14.0	7.5	7.5	1.0	0.6	1000	900	1500	500		
ECQE4393□T()	0.039	12.5	4.9	8.0	13.0	10.0	10.0	1.0	0.6			1400			
ECQE4473□T()	0.047	12.5	5.0	8.3	13.3	10.0	10.0	1.0	0.6			1300			
ECQE4563□T()	0.056	12.5	5.0	10.0	15.0	10.0	10.0	1.0	0.6			1200			
ECQE4683□T()	0.068	12.5	5.4	10.5	15.5	10.0	10.0	1.0	0.6			700		700	
ECQE4823□T()	0.082	12.5	5.8	11.0	16.0	10.0	10.0	1.0	0.6			800		600	
ECQE4104□T()	0.10	12.5	6.3	12.0	17.0	10.0	10.0	1.0	0.6	-	800	700	500		
ECQE4124□T()	0.12	19.0	5.0	10.0	15.0	15.0	10.0	1.0	0.6			600			
ECQE4154□T()	0.15	19.0	5.0	12.4	17.4	15.0	10.0	1.0	0.6			500		400	
ECQE4184□T()	0.18	19.0	5.4	12.5	17.5	15.0	10.0	1.0	0.6						
ECQE4224□T()	0.22	19.0	5.9	13.0	18.0	15.0	10.0	1.0	0.6						
ECQE4274□T()	0.27	19.0	6.5	14.3	19.3	15.0	10.0	1.0	0.8						
ECQE4334□T()	0.33	19.0	7.0	14.9	19.9	15.0	10.0	1.0	0.8	-	500	500	500		
ECQE4394□T()	0.39	19.0	7.5	15.4	20.4	15.0	10.0	1.0	0.8			400			
ECQE4474□T()	0.47	19.0	7.8	17.0	22.0	15.0	10.0	1.0	0.8						
ECQE4564□T()	0.56	26.5	6.5	16.0	21.0	22.5	15.0	1.0	0.8						
ECQE4684□T()	0.68	26.5	7.0	16.5	21.5	22.5	15.0	1.0	0.8						
ECQE4824□T()	0.82	26.5	7.9	17.3	22.3	22.5	15.0	1.0	0.8						
ECQE4105□T()	1.0	26.5	8.5	18.0	23.0	22.5	15.0	1.0	0.8	-	-		500		
ECQE4125□T()	1.2	26.5	9.5	18.9	23.9	22.5	15.0	1.0	0.8						
ECQE4155□T()	1.5	31.5	9.5	19.0	24.0	27.5	22.5	1.0	0.8						
ECQE4185□T()	1.8	31.5	11.0	20.5	25.5	27.5	22.5	1.5	0.8						
ECQE4225□T()	2.2	31.5	11.0	22.0	27.0	27.5	22.5	1.5	0.8						

* □ : Capacitance tolerance code
() : Suffix for lead crimped or taped type

Type D : 0.010 μ F to 0.10 μ F
Type B : 0.12 μ F to 2.2 μ F

- Rated voltage : 630 V.DC, Capacitance tolerance : $\pm 5\%$ (J), $\pm 10\%$ (K)

Part No.	Cap. (μ F)	Dimensions (mm)								Min. order Q'ty					
		L max.	T max.	H max.		F		S		G max.	ϕ d	Taping		Bulk	
				Straight	Crimped lead	Straight	Crimped lead	Straight				Odd size 5 mm	Odd size 7.5 mm	Straight	Crimped lead
ECQE6103□T()	0.010	12.5	4.5	7.5	12.5	10.0	10.0	1.0	0.6	900	1600	500	500		
ECQE6123□T()	0.012	12.5	4.5	7.8	12.8	10.0	10.0	1.0	0.6					1400	
ECQE6153□T()	0.015	12.5	5.0	8.2	13.2	10.0	10.0	1.0	0.6					1300	
ECQE6183□T()	0.018	12.5	4.9	10.0	15.0	10.0	10.0	1.0	0.6						
ECQE6223□T()	0.022	12.5	5.3	10.5	15.5	10.0	10.0	1.0	0.6						
ECQE6273□T()	0.027	12.5	5.5	10.9	15.9	10.0	10.0	1.0	0.6						
ECQE6333□T()	0.033	12.5	6.0	11.9	16.9	10.0	10.0	1.0	0.6	700	1200	500	500		
ECQE6393□T()	0.039	12.5	6.0	13.4	18.4	10.0	10.0	1.0	0.6					600	1100
ECQE6473□T()	0.047	12.5	6.5	13.5	18.5	10.0	10.0	1.0	0.6					800	600
ECQE6563□T()	0.056	19.0	5.4	10.5	15.5	15.0	10.0	1.0	0.6					700	600
ECQE6683□T()	0.068	19.0	5.8	11.0	16.0	15.0	10.0	1.0	0.6						
ECQE6823□T()	0.082	19.0	6.5	12.0	17.0	15.0	10.0	1.0	0.6					600	500
ECQE6104□T()	0.10	19.0	6.3	14.0	19.0	15.0	10.0	1.0	0.6	400	400				
ECQE6124□T()	0.12	19.0	6.3	14.5	19.5	15.0	10.0	1.0	0.8						
ECQE6154□T()	0.15	19.0	7.5	15.4	20.4	15.0	10.0	1.0	0.8						
ECQE6184□T()	0.18	19.0	8.0	16.0	21.0	15.0	10.0	1.0	0.8						
ECQE6224□T()	0.22	19.0	9.0	16.5	21.5	15.0	10.0	1.0	0.8						
ECQE6274□T()	0.27	26.5	7.0	16.5	21.5	22.5	15.0	1.0	0.8	-	-	300	400		
ECQE6334□T()	0.33	26.5	7.8	17.0	22.0	22.5	15.0	1.0	0.8						
ECQE6394□T()	0.39	26.5	8.5	17.9	22.9	22.5	15.0	1.0	0.8						
ECQE6474□T()	0.47	26.5	9.3	18.5	23.5	22.5	15.0	1.0	0.8						
ECQE6564□T()	0.56	26.5	10.0	20.0	25.0	22.5	15.0	1.5	0.8						
ECQE6684□T()	0.68	26.5	11.5	21.0	26.0	22.5	15.0	1.5	0.8						
ECQE6824□T()	0.82	31.5	11.3	20.5	25.5	27.5	22.5	1.5	0.8	-	-	300	400		
ECQE6105□T()	1.0	31.5	12.5	21.9	26.9	27.5	22.5	1.5	0.8						
ECQE6125□T()	1.2	31.5	13.5	23.0	28.0	27.5	22.5	1.5	0.8						
ECQE6155□T()	1.5	31.5	15.3	24.7	29.7	27.5	22.5	1.5	0.8						
ECQE6185□T()	1.8	31.5	16.8	27.0	32.0	27.5	22.5	1.5	0.8						
ECQE6225□T()	2.2	31.5	19.5	29.0	34.0	27.5	22.5	1.5	0.8						

* □ : Capacitance tolerance code
() : Suffix for lead crimped or taped type

Type D : 0.010 μ F to 0.047 μ F
Type B : 0.056 μ F to 2.2 μ F

Rating · Dimensions · Quantity

- Rated voltage : 125 V.AC, Capacitance tolerance : $\pm 5\%$ (J), $\pm 10\%$ (K)
Noise suppression Capacitors (Across-the-line)

Part No.	Cap. (μ F)	Dimensions (mm)								Min. order Q'ty				
		L max.	T max.	H max.		F		S	G max.	ϕ d	Taping			Bulk Straight · Crimped lead
				Straight	Crimped lead	Straight	Crimped lead	Straight	Standard 5 mm		Odd size 5 mm	Odd size 7.5 mm		
ECQE1A103□□()	0.010	11.0	4.5	7.5	12.5	7.5	7.5	1.0	0.6	1500	-	1700	500	
ECQE1A123□□()	0.012	11.0	4.4	7.5	12.5	7.5	7.5	1.0	0.6					
ECQE1A153□□()	0.015	11.0	4.4	7.5	12.5	7.5	7.5	1.0	0.6					
ECQE1A183□□()	0.018	11.0	4.4	7.5	12.5	7.5	7.5	1.0	0.6					
ECQE1A223□□()	0.022	11.0	4.4	7.5	12.5	7.5	7.5	1.0	0.6					
ECQE1A273□□()	0.027	11.0	4.4	7.5	12.5	7.5	7.5	1.0	0.6					
ECQE1A333□□()	0.033	11.0	4.5	7.8	12.8	7.5	7.5	1.0	0.6					
ECQE1A393□□()	0.039	11.0	4.5	7.8	12.8	7.5	7.5	1.0	0.6					
ECQE1A473□□()	0.047	11.0	5.5	8.0	13.0	7.5	7.5	1.0	0.6					
ECQE1A563□□()	0.056	11.0	5.9	8.5	13.5	7.5	7.5	1.0	0.6					
ECQE1A683□□()	0.068	11.0	6.3	9.4	14.4	7.5	7.5	1.0	0.6					
ECQE1A823□□()	0.082	11.0	6.5	9.8	14.8	7.5	7.5	1.0	0.6					
ECQE1A104□□()	0.10	11.0	6.5	11.8	16.8	7.5	7.5	1.0	0.6					
ECQE1A124□□()	0.12	13.0	5.9	11.5	16.5	10.0	10.0	1.0	0.6					
ECQE1A154□□()	0.15	13.0	6.5	12.0	17.0	10.0	10.0	1.0	0.6					
ECQE1A184□□()	0.18	13.0	7.0	12.5	17.5	10.0	10.0	1.0	0.6					
ECQE1A224□□()	0.22	13.0	7.5	13.4	18.4	10.0	10.0	1.0	0.6					
ECQE1A274□□()	0.27	19.0	6.3	12.0	17.0	15.0	10.0	1.0	0.6					
ECQE1A334□□()	0.33	19.0	6.9	12.5	17.5	15.0	10.0	1.0	0.6					
ECQE1A394□□()	0.39	19.0	7.4	13.0	18.0	15.0	10.0	1.0	0.6					
ECQE1A474□□()	0.47	19.0	7.5	15.3	20.3	15.0	10.0	1.0	0.6					

* □ : Capacitance tolerance code
() : Suffix for lead crimped or taped type

Type D : 0.010 μ F to 0.22 μ F
Type B : 0.27 μ F to 0.47 μ F

- Rated voltage : 250 V.AC, Capacitance tolerance : $\pm 5\%$ (J), $\pm 10\%$ (K)
Noise suppression Capacitors (Across-the-line)

Part No.	Cap. (μ F)	Dimensions (mm)								Min. order Q'ty				
		L max.	T max.	H max.		F		S	G max.	ϕ d	Taping			Bulk Straight · Crimped lead
				Straight	Crimped lead	Straight	Crimped lead	Straight	Odd size 5 mm		Odd size 7.5 mm	Odd size 7.5 mm		
ECQE2A103□□()	0.010	13.0	5.5	10.8	15.8	10.0	10.0	1.0	0.6	500	-	800	1300	
ECQE2A123□□()	0.012	13.0	6.0	11.5	16.5	10.0	10.0	1.0	0.6					
ECQE2A153□□()	0.015	13.0	6.3	9.9	14.9	10.0	10.0	1.0	0.6					
ECQE2A183□□()	0.018	13.0	6.0	11.9	16.9	10.0	10.0	1.0	0.6					
ECQE2A223□□()	0.022	13.0	6.0	11.5	16.5	10.0	10.0	1.0	0.6					
ECQE2A273□□()	0.027	13.0	5.5	10.9	15.9	10.0	10.0	1.0	0.6					
ECQE2A333□□()	0.033	13.0	6.0	11.9	16.9	10.0	10.0	1.0	0.6					
ECQE2A393□□()	0.039	13.0	6.0	13.4	18.4	10.0	10.0	1.0	0.6					
ECQE2A473□□()	0.047	13.0	6.5	14.4	19.4	10.0	10.0	1.0	0.6					
ECQE2A563□□()	0.056	19.0	5.4	10.5	15.5	15.0	10.0	1.0	0.6					
ECQE2A683□□()	0.068	19.0	5.8	11.0	16.0	15.0	10.0	1.0	0.6					
ECQE2A823□□()	0.082	19.0	6.3	12.0	17.0	15.0	10.0	1.0	0.6					
ECQE2A104□□()	0.10	19.0	6.3	14.0	19.0	15.0	10.0	1.0	0.6					
ECQE2A124□□()	0.12	19.0	6.8	14.5	19.5	15.0	10.0	1.0	0.8					
ECQE2A154□□()	0.15	19.0	7.5	15.4	20.4	15.0	10.0	1.0	0.8					
ECQE2A184□□()	0.18	19.0	8.0	16.0	21.0	15.0	10.0	1.0	0.8					
ECQE2A224□□()	0.22	19.0	9.0	16.9	21.9	15.0	10.0	1.0	0.8					
ECQE2A274□□()	0.27	26.5	7.0	16.5	21.5	22.5	15.0	1.0	0.8					
ECQE2A334□□()	0.33	26.5	7.8	17.0	22.0	22.5	15.0	1.0	0.8					
ECQE2A394□□()	0.39	26.5	8.5	17.9	22.9	22.5	15.0	1.0	0.8					
ECQE2A474□□()	0.47	26.5	9.3	18.5	23.5	22.5	15.0	1.0	0.8					

* □ : Capacitance tolerance code
() : Suffix for lead crimped or taped type

Type D : 0.010 μ F to 0.047 μ F
Type B : 0.056 μ F to 0.47 μ F

Notice for AC rated

AC rated capacitors complying with clause 1 of "Electrical Appliance and Material Safety Law".

As for clause 2 of "Electrical Appliance and Material Safety Law", please use ECQUA type or ECQUL type.

When using these capacitors as a across-the-line capacitor, it shall be required to follow either item 1. or item 2. condition.

1. Capacitor shall be connected in parallel with varistor (Specified varistor voltage in table 1.)
2. Voltage applied for capacitor shall not exceed other than specified in table 1, when using these capacitors.

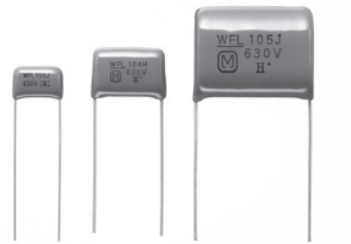
Table 1

Capacitor rated voltage	Varistor voltage	Pulse voltage
125 V.AC	250 V	250 V _{D,P}
250 V.AC	470 V	630 V _{D,P}

Metallized Polypropylene Film Capacitor

Series : **ECWF(L)**

Non-inductive construction using metallized polypropylene film with flame retardant epoxy resin coating.



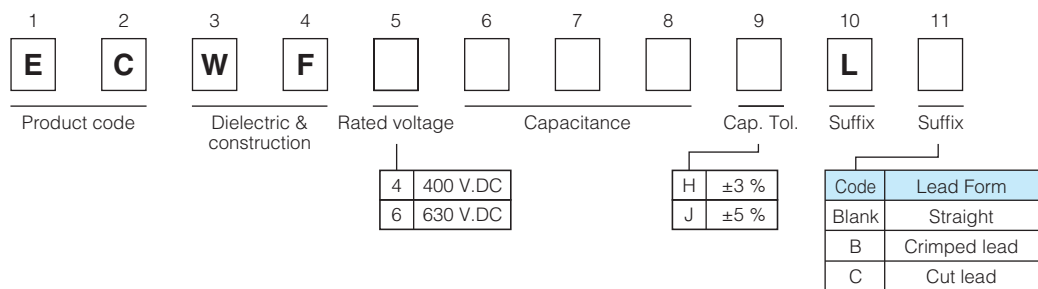
Features

- Small size
- Excellent frequency characteristics
- Low loss
- Flame retardant epoxy resin coating
- 85 °C, 85 % RH, W.V. × 1.0 for 500 hours
- RoHS directive compliant

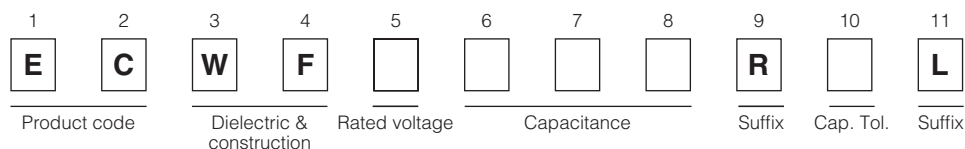
Recommended applications

- Lighting
- High frequency and high current circuit

Explanation of part number



- Odd size taping

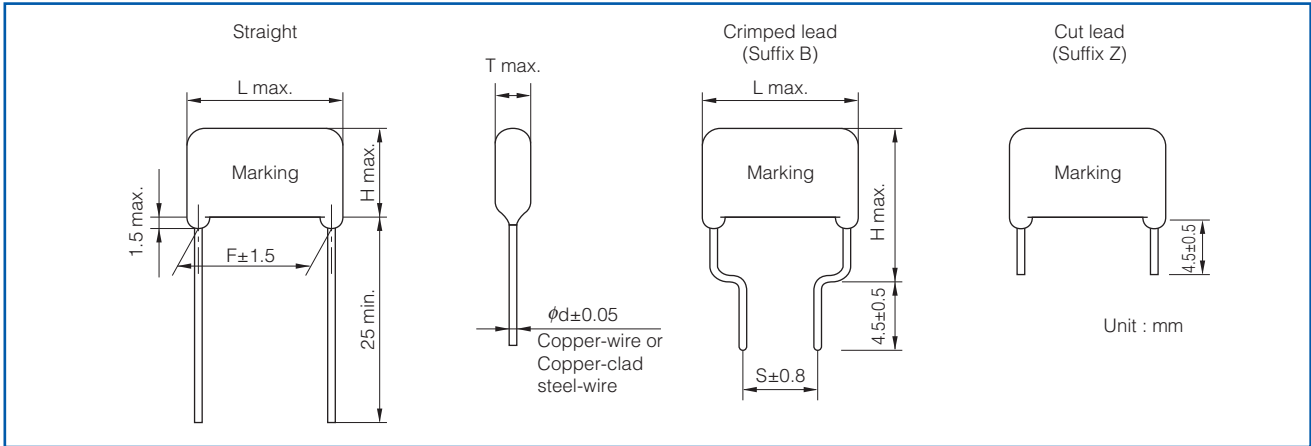


Specifications

Category temp. range (Including temperature-rise on unit surface)	- 40 °C to +105 °C	
Rated voltage	400 V.DC, 630 V.DC	
Capacitance range	400 V.DC	0.022 μF to 2.4 μF
	630 V.DC	0.010 μF to 1.3 μF
Capacitance tolerance	±3 % (H), ±5 % (J)	
Dissipation factor (tan δ)	tan δ ≤ 0.05 % (20 °C, 1 kHz) tan δ ≤ 0.20 % (20 °C, 10 kHz)	
Withstand voltage	Between terminals : Rated volt. (V.DC) × 150 %, 60 s	
Insulation resistance (IR)	C ≤ 0.33 μF : IR ≥ 9000 MΩ (20 °C, 100 V.DC, 60 s for 400 V.DC)	
	C > 0.33 μF : IR ≥ 3000 MΩ · μF (20 °C, 500 V.DC, 60 s for 630 V.DC)	

* In case of applying voltage in alternating current (50 Hz or 60 Hz sine wave) to a capacitor with DC rated voltage, please refer to the page of "Permissible voltage (R.M.S) in alternating current corresponding to DC rated voltage".

Dimensions

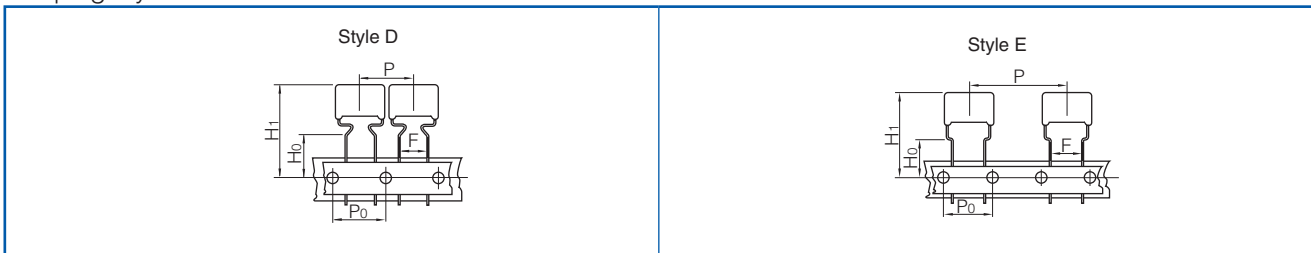


Packaging specifications for bulk package

- Packing quantity : 100 pcs./bag

Taping specifications for automatic insertion

- Taping style



* Refer to the page of taping specifications.

- Packaging specifications

Series	Rated voltage (V.DC)	Capacitance range (μF)	Taping style					Packing	suffix
			AD	AB	C	D	E		
ECWF(L)	400	0.022 to 0.091				○		Ammo	R() L
		0.10 to 1.0					○	Ammo	R() L
	630	0.010 to 0.043				○		Ammo	R() L
		0.047 to 0.43					○	Ammo	R() L

- Lead spacing

Style	Lead spacing
D	7.5 mm
E	7.5 mm

Rating · Dimensions · Quantity

● Rated voltage : 400 V.DC, Capacitance tolerance : ± 3 %(J), ±5 %(J)

Part No.	Cap. (μ F)	Dimensions (mm)							Min. order Q'ty			
		L max.	T max.	H max.		F		S	ϕ d	Taping	Bulk	
				Straight	Crimped lead	Straight	Crimped lead	7.5 mm		Straight	Crimped lead	
ECWF4223□L()	0.022	12.5	5.8	8.6	13.6	10.0	7.5	0.6	1100	500	500	
ECWF4243□L()	0.024	12.5	6.0	8.8	13.8	10.0	7.5	0.6				
ECWF4273□L()	0.027	12.5	6.2	9.0	14.0	10.0	7.5	0.6	1000			
ECWF4303□L()	0.030	12.5	6.4	9.3	14.3	10.0	7.5	0.6				
ECWF4333□L()	0.033	12.5	6.7	9.5	14.5	10.0	7.5	0.6	900			
ECWF4363□L()	0.036	12.5	5.7	8.4	13.4	10.0	7.5	0.6				
ECWF4393□L()	0.039	12.5	5.8	8.6	13.6	10.0	7.5	0.6	1100			
ECWF4433□L()	0.043	12.5	6.0	8.8	13.8	10.0	7.5	0.6				
ECWF4473□L()	0.047	12.5	6.2	9.0	14.0	10.0	7.5	0.6	1000			
ECWF4513□L()	0.051	12.5	6.4	9.2	14.2	10.0	7.5	0.6				
ECWF4563□L()	0.056	12.5	6.6	9.4	14.4	10.0	7.5	0.6	900			
ECWF4623□L()	0.062	13.0	6.8	9.6	14.6	10.0	7.5	0.8				
ECWF4683□L()	0.068	13.0	7.0	9.9	14.9	10.0	7.5	0.8	800			
ECWF4753□L()	0.075	13.0	7.3	10.1	15.1	10.0	7.5	0.8				
ECWF4823□L()	0.082	13.0	7.5	10.4	15.4	10.0	7.5	0.8	500			
ECWF4913□L()	0.091	13.0	7.8	10.7	15.7	10.0	7.5	0.8				
ECWF4104□L()	0.10	15.5	6.5	11.0	16.0	12.5	7.5	0.8	400			
ECWF4114□L()	0.11	15.5	6.8	11.3	16.3	12.5	7.5	0.8				
ECWF4124□L()	0.12	15.5	7.0	11.5	16.5	12.5	7.5	0.8	300			
ECWF4134□L()	0.13	15.5	7.2	11.8	16.8	12.5	7.5	0.8				
ECWF4154□L()	0.15	15.5	7.6	12.2	17.2	12.5	7.5	0.8	200			
ECWF4164□L()	0.16	15.5	7.8	12.4	17.4	12.5	7.5	0.8				
ECWF4184□L()	0.18	15.5	8.2	12.8	17.8	12.5	7.5	0.8	300			
ECWF4204□L()	0.20	15.5	8.6	13.3	18.3	12.5	7.5	0.8				
ECWF4224□L()	0.22	15.5	9.0	13.6	18.6	12.5	7.5	0.8	200			
ECWF4244□L()	0.24	18.0	8.3	13.0	18.0	15.0	10.0	0.8				
ECWF4274□L()	0.27	18.0	8.8	13.4	18.4	15.0	10.0	0.8	200			
ECWF4304□L()	0.30	18.0	9.2	13.9	18.9	15.0	10.0	0.8				
ECWF4334□L()	0.33	18.0	9.6	14.3	19.3	15.0	10.0	0.8	200			
ECWF4364□L()	0.36	18.0	9.9	14.7	19.7	15.0	10.0	0.8				
ECWF4394□L()	0.39	18.0	10.3	15.1	20.1	15.0	10.0	0.8	200			
ECWF4434□L()	0.43	18.0	10.7	15.6	20.6	15.0	10.0	0.8				
ECWF4474□L()	0.47	18.0	11.2	16.1	21.1	15.0	10.0	0.8	200			
ECWF4514□L()	0.51	20.5	10.3	16.8	21.8	17.5	12.5	0.8				
ECWF4564□L()	0.56	20.5	10.7	17.3	22.3	17.5	12.5	0.8	200			
ECWF4624□L()	0.62	20.5	11.3	17.9	22.9	17.5	12.5	0.8				
ECWF4684□L()	0.68	20.5	11.8	18.5	23.5	17.5	12.5	0.8	200			
ECWF4754□L()	0.75	20.5	12.3	19.1	24.1	17.5	12.5	0.8				
ECWF4824□L()	0.82	23.0	11.8	18.5	23.5	20.0	12.5	0.8	200			
ECWF4914□L()	0.91	23.0	12.4	19.2	24.2	20.0	12.5	0.8				
ECWF4105□L()	1.0	23.0	13.0	19.8	24.8	20.0	12.5	0.8	-			
ECWF4115□L()	1.1	23.0	13.6	20.5	25.5	20.0	12.5	0.8				
ECWF4125□L()	1.2	28.0	12.3	19.1	24.1	25.0	17.5	0.8	400			
ECWF4135□L()	1.3	28.0	12.8	19.6	24.6	25.0	17.5	0.8				
ECWF4155□L()	1.5	28.0	13.7	20.7	25.7	25.0	17.5	0.8	400			
ECWF4165□L()	1.6	28.0	14.2	21.2	26.2	25.0	17.5	0.8				
ECWF4185□L()	1.8	28.0	15.2	22.2	27.2	25.0	17.5	0.8	400			
ECWF4205□L()	2.0	28.0	16.0	23.1	28.1	25.0	17.5	0.8				
ECWF4225□L()	2.2	28.0	16.8	24.0	29.0	25.0	17.5	0.8	400			
ECWF4245□L()	2.4	28.0	17.5	24.8	29.8	25.0	17.5	0.8				

* □ : Capacitance tolerance code
() : Suffix for lead crimped

Rating · Dimensions · Quantity

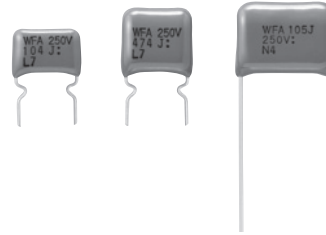
● Rated voltage : 630 V.DC, Capacitance tolerance : ± 3 %(J), ±5 %(J)

Part No.	Cap. (μ F)	Dimensions (mm)							Min. order Q'ty		
		L max.	T max.	H max.		F	S	ϕ d	Taping	Bulk	
				Straight	Crimped lead	Straight	Crimped lead		7.5 mm	Straight	Crimped lead
ECWF6103□L()	0.010	12.5	5.2	8.0	13.0	10.0	7.5	0.6	1200	500	500
ECWF6113□L()	0.011	12.5	5.4	8.2	13.2	10.0	7.5	0.6			
ECWF6123□L()	0.012	12.5	5.5	8.3	13.3	10.0	7.5	0.6			
ECWF6133□L()	0.013	12.5	5.6	8.5	13.5	10.0	7.5	0.6	1100		
ECWF6153□L()	0.015	12.5	5.9	8.7	13.7	10.0	7.5	0.6			
ECWF6163□L()	0.016	12.5	6.0	8.9	13.9	10.0	7.5	0.6			
ECWF6183□L()	0.018	12.5	6.2	9.1	14.1	10.0	7.5	0.6	1000		
ECWF6203□L()	0.020	12.5	6.5	9.3	14.3	10.0	7.5	0.6			
ECWF6223□L()	0.022	12.5	6.2	9.0	14.0	10.0	7.5	0.6			
ECWF6243□L()	0.024	12.5	6.4	9.2	14.2	10.0	7.5	0.6	900		
ECWF6273□L()	0.027	13.0	6.6	9.5	14.5	10.0	7.5	0.8			
ECWF6303□L()	0.030	13.0	6.9	9.7	14.7	10.0	7.5	0.8			
ECWF6333□L()	0.033	13.0	7.1	10.0	15.0	10.0	7.5	0.8	800		
ECWF6363□L()	0.036	13.0	7.3	10.2	15.2	10.0	7.5	0.8			
ECWF6393□L()	0.039	13.0	7.6	10.4	15.4	10.0	7.5	0.8			
ECWF6433□L()	0.043	13.0	7.9	10.7	15.7	10.0	7.5	0.8	500		
ECWF6473□L()	0.047	15.5	6.4	10.8	15.8	12.5	7.5	0.8			
ECWF6513□L()	0.051	15.5	6.6	11.0	16.0	12.5	7.5	0.8			
ECWF6563□L()	0.056	15.5	6.8	11.2	16.2	12.5	7.5	0.8	400		
ECWF6623□L()	0.062	15.5	7.1	11.5	16.5	12.5	7.5	0.8			
ECWF6683□L()	0.068	15.5	7.4	11.8	16.8	12.5	7.5	0.8			
ECWF6753□L()	0.075	15.5	7.7	12.1	17.1	12.5	7.5	0.8			
ECWF6823□L()	0.082	15.5	8.0	12.4	17.4	12.5	7.5	0.8			
ECWF6913□L()	0.091	15.5	8.3	12.7	17.7	12.5	7.5	0.8			
ECWF6104□L()	0.10	18.0	7.7	12.1	17.1	15.0	10.0	0.8	300		
ECWF6114□L()	0.11	18.0	8.0	12.4	17.4	15.0	10.0	0.8			
ECWF6124□L()	0.12	18.0	8.3	12.7	17.7	15.0	10.0	0.8			
ECWF6134□L()	0.13	18.0	8.5	13.0	18.0	15.0	10.0	0.8			
ECWF6154□L()	0.15	18.0	9.1	13.5	18.5	15.0	10.0	0.8			
ECWF6164□L()	0.16	18.0	9.3	13.8	18.8	15.0	10.0	0.8			
ECWF6184□L()	0.18	18.0	9.8	14.2	19.1	15.0	10.0	0.8	200		
ECWF6204□L()	0.20	18.0	10.3	14.7	19.7	15.0	10.0	0.8			
ECWF6224□L()	0.22	18.0	10.8	15.5	20.5	15.0	10.0	0.8			
ECWF6244□L()	0.24	18.0	11.2	15.9	20.9	15.0	10.0	0.8			
ECWF6274□L()	0.27	20.5	10.4	16.7	21.7	17.5	12.5	0.8			
ECWF6304□L()	0.30	20.5	10.9	17.2	22.2	17.5	12.5	0.8			
ECWF6334□L()	0.33	20.5	11.4	17.7	22.7	17.5	12.5	0.8	200		
ECWF6364□L()	0.36	20.5	11.9	18.5	23.5	17.5	12.5	0.8			
ECWF6394□L()	0.39	20.5	12.4	19.0	24.0	17.5	12.5	0.8			
ECWF6434□L()	0.43	20.5	13.0	19.5	24.5	17.5	12.5	0.8	-		
ECWF6474□L()	0.47	20.5	13.5	20.1	25.1	17.5	12.5	0.8			
ECWF6514□L()	0.51	28.0	11.1	17.3	22.3	25.0	17.5	0.8			
ECWF6564□L()	0.56	28.0	11.6	17.8	22.8	25.0	17.5	0.8			
ECWF6624□L()	0.62	28.0	12.1	18.7	23.7	25.0	17.5	0.8			
ECWF6684□L()	0.68	28.0	12.7	19.3	24.3	25.0	17.5	0.8			
ECWF6754□L()	0.75	28.0	13.3	19.9	24.9	25.0	17.5	0.8			
ECWF6824□L()	0.82	28.0	13.9	20.5	25.5	25.0	17.5	0.8			
ECWF6914□L()	0.91	28.0	14.6	21.2	26.2	25.0	17.5	0.8			
ECWF6105□L()	1.0	28.0	15.5	22.3	27.3	25.0	17.5	0.8			
ECWF6115□L()	1.1	28.0	16.3	23.0	28.0	25.0	17.5	0.8			
ECWF6125□L()	1.2	28.0	17.0	23.7	28.7	25.0	17.5	0.8			
ECWF6135□L()	1.3	28.0	17.6	24.4	29.4	25.0	17.5	0.8			

* □ : Capacitance tolerance code
() : Suffix for lead crimped

Metalized Polypropylene Film Capacitor

Series : **ECWF(A)**



Non-inductive construction using metallized polypropylene film with flame retardant epoxy resin coating.

Features

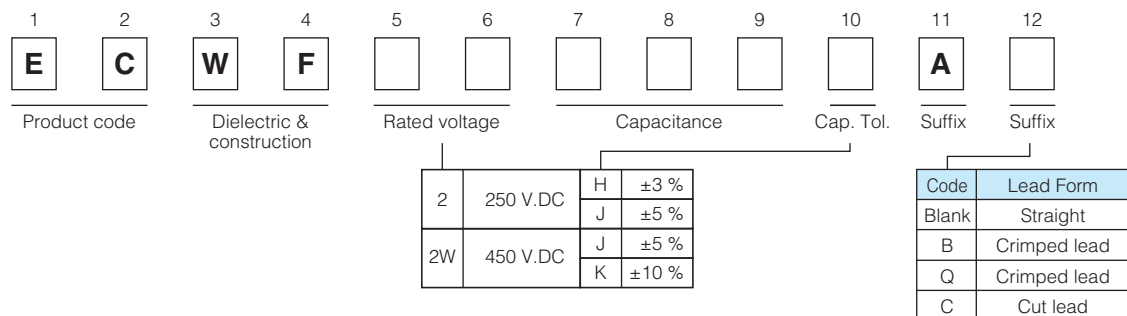
- Small size
- Excellent frequency characteristics
- Low loss
- Low Hum Sound Noise
- Flame retardant epoxy resin coating
- 85 degree C , 85 %RH , 500 V.DC , 500 hours (630 V.DC)
- RoHS directive compliant

Recommended applications

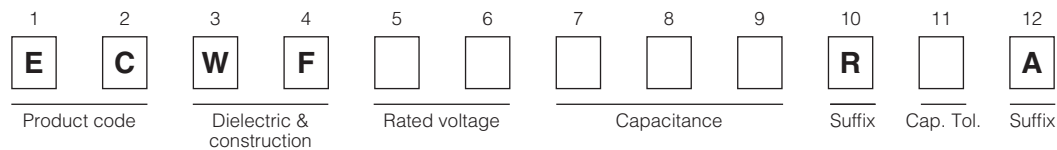
- 250 V.DC, 630 V.DC : High frequency and high current circuit
- 450 V.DC : Active filter circuit

Explanation of part number

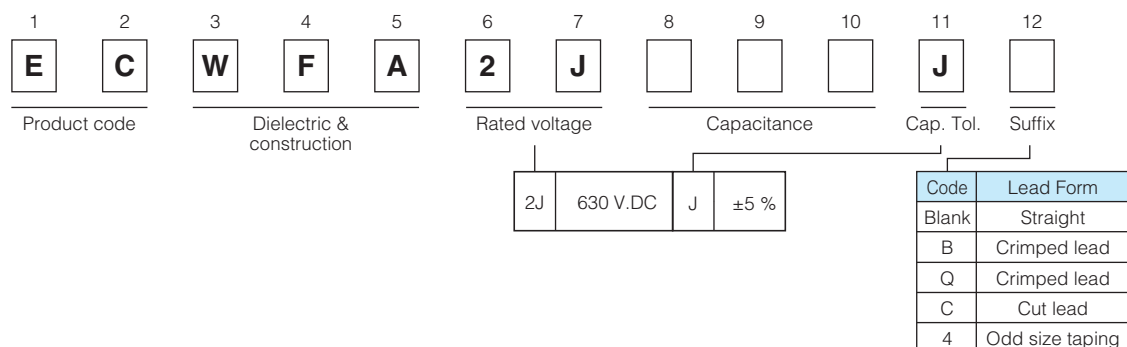
- 250 V.DC, 450 V.DC (Bulk)



- 250 V.DC, 450 V.DC (Odd size taping)



- 630 V.DC (Bulk, Odd size taping)

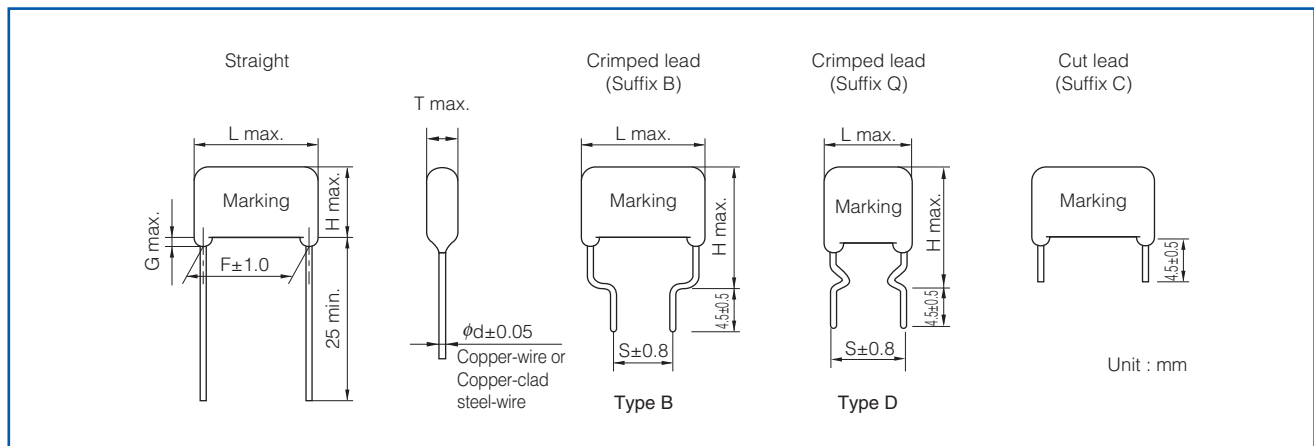


Specifications

Category temp. range (Including temperature-rise on unit surface)	- 40 °C to +105 °C	
Rated voltage	250 V.DC	
	450 V.DC (Derating of rated voltage by 1.25%/°C at more than 85 °C) Peak to peak voltage applied on the capacitor should be less than 240 Vp-p, and zero to peak voltage should be less than 450 Vo-p.	
	630 V.DC (Derating of rated voltage by 1.0%/°C at more than 85 °C)	
Capacitance range	250 V.DC	0.1 μF to 6.8 μF
	450 V.DC	0.1 μF to 4.7 μF
	630 V.DC	0.1 μF to 2.2 μF
Capacitance tolerance	250 V.DC	±3 % (H), ±5 % (J)
	450 V.DC	±5 % (J), ±10 % (K)
	630 V.DC	±5 % (J)
Dissipation factor (tan δ)	tan δ ≤ 0.1 % (20 °C, 1 kHz)	
Withstand voltage	Between terminals : Rated volt. (V.DC) × 150 %, 60 s	
Insulation resistance (IR)	250 V.DC	C ≤ 0.33 μF : IR ≥ 9000 MΩ C > 0.33 μF : IR ≥ 3000 MΩ · μF (20 °C, 100 V.DC, 60 s)
	450 V.DC	C ≤ 0.33 μF : IR ≥ 30000 MΩ C > 0.33 μF : IR ≥ 10000 MΩ · μF (20 °C, 100 V.DC, 60 s)
	630 V.DC	C ≤ 0.33 μF : IR ≥ 9000 MΩ C > 0.33 μF : IR ≥ 3000 MΩ · μF (20 °C, 500 V.DC, 60 s)

* In case of applying voltage in alternating current (50 Hz or 60 Hz sine wave) to a capacitor with DC rated voltage, please refer to the page of "Permissible voltage (R.M.S) in alternating current corresponding to DC rated voltage".

Dimensions

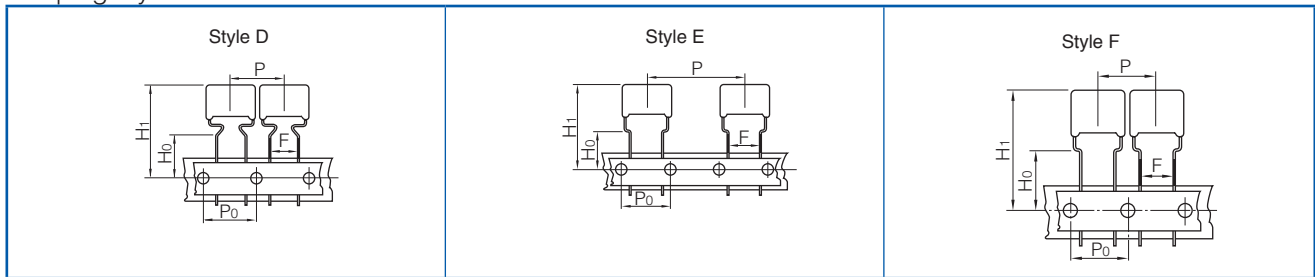


Packaging specifications for bulk package

- Packing quantity : 100 pcs./bag

Taping specifications for automatic insertion

● Taping style



* Refer to the page of taping specifications.

● Packaging specifications

Series	Rated voltage (V.DC)	Capacitance range (μF)	Taping style								Packing	suffix
			AD	AS	B	C	D	E	F			
ECWF(A)	250	0.10 to 0.47					○				Ammo	R() A
		0.56 to 3.9						○				
	450	0.10 to 0.47							○			
		0.56 to 2.2							○			
	630	0.10 to 0.68							○			

● Lead spacing

Style	Lead spacing
D	7.5 mm
E	7.5 mm
F	7.5 mm

Rating · Dimensions · Quantity

● Rated voltage : 250 V.DC, Capacitance tolerance : ± 3 % (H), ± 5 % (J)

Part No.	Cap. (μF)	Dimensions (mm)										Min. order Q'ty	
		L max.	T max.	H max.			F	S		G max.	φd	Taping 7.5 mm	Bulk Straight · Crimped lead
				Straight	Crimped lead (Suffix B)	Crimped lead (Suffix Q)		Crimped lead (Suffix B)	Crimped lead (Suffix Q)				
ECWF2104□A()	0.10	13.0	5.0	-	14.1	14.1	-	7.5	10.0	-	0.6	1300	500
ECWF2124□A()	0.12	13.0	5.3	-	14.4	14.4	-	7.5	10.0	-	0.6	1200	
ECWF2154□A()	0.15	13.0	5.6	-	14.7	14.7	-	7.5	10.0	-	0.6	1100	
ECWF2184□A()	0.18	13.0	5.9	-	15.1	15.1	-	7.5	10.0	-	0.6	1000	
ECWF2224□A()	0.22	13.0	6.3	-	15.4	15.4	-	7.5	10.0	-	0.6	900	
ECWF2274□A()	0.27	13.0	6.8	-	15.9	15.9	-	7.5	10.0	-	0.6	800	
ECWF2334□A()	0.33	13.0	7.3	-	16.4	16.4	-	7.5	10.0	-	0.6	700	
ECWF2394□A()	0.39	13.0	7.8	-	16.9	16.9	-	7.5	10.0	-	0.6	600	
ECWF2474□A()	0.47	13.0	8.4	-	17.6	17.6	-	7.5	10.0	-	0.6	500	
ECWF2564□A()	0.56	18.1	6.9	-	16.4	18.4	-	7.5	15.0	-	0.8	400	
ECWF2684□A()	0.68	18.1	7.4	-	17.0	19.0	-	7.5	15.0	-	0.8	300	
ECWF2824□A()	0.82	18.1	8.0	-	17.6	19.6	-	7.5	15.0	-	0.8	200	
ECWF2105□A()	1.0	18.1	8.5	13.3	18.3	20.3	15.0	7.5	15.0	1.5	0.8	100	
ECWF2125□A()	1.2	18.8	9.5	14.6	19.6	21.6	15.0	7.5	15.0	1.5	0.8	50	
ECWF2155□A()	1.5	18.8	10.5	15.6	20.6	22.6	15.0	7.5	15.0	1.5	0.8	20	
ECWF2185□A()	1.8	18.8	11.4	16.5	21.5	23.5	15.0	7.5	15.0	1.5	0.8	10	
ECWF2225□A()	2.2	18.8	12.6	17.6	22.6	24.6	15.0	7.5	15.0	1.5	0.8	5	
ECWF2275□A()	2.7	23.8	11.4	17.2	22.2	24.2	20.0	12.5	20.0	1.5	0.8	3	
ECWF2335□A()	3.3	23.8	12.5	18.3	23.3	25.3	20.0	12.5	20.0	1.5	0.8	2	
ECWF2395□A()	3.9	23.8	13.5	19.3	24.3	26.3	20.0	12.5	20.0	1.5	0.8	1	
ECWF2475□A()	4.7	23.8	14.8	20.6	25.6	27.6	20.0	12.5	20.0	1.5	0.8	0.5	
ECWF2565□A()	5.6	23.8	16.2	21.9	26.9	28.9	20.0	12.5	20.0	1.5	0.8	0.2	
ECWF2685□A()	6.8	23.8	17.8	23.5	28.5	30.5	20.0	12.5	20.0	1.5	0.8	0.1	

* □ : Capacitance tolerance code
() : Suffix for lead crimped

Rating · Dimensions · Quantity

● Rated voltage : 450 V.DC, Capacitance tolerance : ± 5 % (J), ± 10 % (K)

Part No.	Cap. (μ F)	Dimensions (mm)										Min. order Q'ty	
		L max.	T max.	H max.			F	S		G max.	ϕ d	Taping	Bulk
				Straight	Crimped lead (Suffix B)	Crimped lead (Suffix Q)		Crimped lead (Suffix B)	Crimped lead (Suffix Q)			7.5 mm	Straight · Crimped lead
ECWF2W104□A()	0.10	13.0	5.1	-	14.3	14.3	-	7.5	10.0	1.5	0.6	1200	500
ECWF2W124□A()	0.12	13.0	5.4	-	14.5	14.5	-	7.5	10.0	1.5	0.6	1200	
ECWF2W154□A()	0.15	13.0	5.7	-	14.9	14.9	-	7.5	10.0	1.5	0.6	1000	
ECWF2W184□A()	0.18	13.0	6.1	-	15.2	15.2	-	7.5	10.0	1.5	0.6	1000	
ECWF2W224□A()	0.22	13.0	6.5	-	15.6	15.6	-	7.5	10.0	1.5	0.6	800	
ECWF2W274□A()	0.27	13.0	7.0	-	16.1	16.1	-	7.5	10.0	1.5	0.6	800	
ECWF2W334□A()	0.33	13.0	7.6	-	16.7	16.7	-	7.5	10.0	1.5	0.6	800	
ECWF2W394□A()	0.39	13.0	8.1	-	17.2	17.2	-	7.5	10.0	1.5	0.6	600	
ECWF2W474□A()	0.47	13.0	8.7	-	17.9	17.9	-	7.5	10.0	1.5	0.6	600	
ECWF2W564□A()	0.56	18.1	7.0	11.5	16.5	18.5	15.0	7.5	15.0	1.5	0.8	400	
ECWF2W684□A()	0.68	18.1	7.5	12.1	17.1	19.1	15.0	7.5	15.0	1.5	0.8	400	
ECWF2W824□A()	0.82	18.1	8.2	12.7	17.7	19.7	15.0	7.5	15.0	1.5	0.8	300	
ECWF2W105□A()	1.0	18.1	9.3	12.6	17.6	19.6	15.0	7.5	15.0	1.5	0.8	300	
ECWF2W125□A()	1.2	18.8	9.7	14.7	19.7	21.7	15.0	7.5	15.0	1.5	0.8	200	
ECWF2W155□A()	1.5	18.8	10.7	15.8	20.8	22.8	15.0	7.5	15.0	1.5	0.8	200	
ECWF2W185□A()	1.8	18.8	11.6	16.7	21.7	23.7	15.0	7.5	15.0	1.5	0.8	-	
ECWF2W225□A()	2.2	18.8	12.8	17.9	22.9	24.9	15.0	7.5	15.0	1.5	0.8	-	
ECWF2W275□A()	2.7	26.3	10.6	16.5	21.5	23.5	22.5	15.0	22.5	1.5	0.8	-	
ECWF2W335□A()	3.3	26.3	11.7	17.5	22.5	24.5	22.5	15.0	22.5	1.5	0.8	-	
ECWF2W395□A()	3.9	26.3	12.6	18.4	23.4	25.4	22.5	15.0	22.5	1.5	0.8	-	
ECWF2W475□A()	4.7	26.3	13.8	19.6	24.6	26.6	22.5	15.0	22.5	1.5	0.8	-	

* □ : Capacitance tolerance code
() : Suffix for lead crimped

● Rated voltage : 630 V.DC, Capacitance tolerance : ± 5 % (J)

Part No.	Cap. (μ F)	Dimensions (mm)										Min. order Q'ty		
		L max.	T max.	H max.			F	S		G max.	ϕ d	Taping	Bulk	
				Straight	Crimped lead (Suffix B)	Crimped lead (Suffix Q)		Crimped lead (Suffix B)	Crimped lead (Suffix Q)			7.5 mm	Straight	Crimped lead
ECWFA2J104J()	0.10	18.2	5.2	10.4	15.4	15.4	15.0	7.5	15.0	1.5	0.6	600	1000	1000
ECWFA2J124J()	0.12	18.2	5.5	10.8	15.8	15.8	15.0	7.5	15.0	1.5	0.6	500		
ECWFA2J154J()	0.15	18.2	6.0	11.2	16.2	16.2	15.0	7.5	15.0	1.5	0.6	500		
ECWFA2J184J()	0.18	18.2	6.5	11.7	16.7	16.7	15.0	7.5	15.0	1.5	0.6	400		
ECWFA2J224J()	0.22	18.2	7.1	12.3	17.3	17.3	15.0	7.5	15.0	1.5	0.6	400		
ECWFA2J274J()	0.27	18.2	7.8	12.9	17.9	17.9	15.0	7.5	15.0	1.5	0.6	300		
ECWFA2J334J()	0.33	18.2	8.5	13.6	18.6	18.6	15.0	7.5	15.0	1.5	0.6	300		
ECWFA2J394J()	0.39	18.2	9.2	14.3	19.3	19.3	15.0	7.5	15.0	1.5	0.6	200		
ECWFA2J474J()	0.47	18.2	10.0	15.1	20.1	20.1	15.0	7.5	15.0	1.5	0.6	200		
ECWFA2J564J()	0.56	18.2	10.9	16.0	21.0	21.0	15.0	7.5	15.0	1.5	0.6	800		
ECWFA2J684J()	0.68	18.2	12.0	17.1	22.1	22.1	15.0	7.5	15.0	1.5	0.6	800		
ECWFA2J824J()	0.82	26.0	10.1	15.3	20.3	22.3	22.5	15.0	22.5	1.5	0.8	-	600	600
ECWFA2J105J()	1.0	26.0	11.1	16.2	21.2	23.2	22.5	15.0	22.5	1.5	0.8	-		
ECWFA2J125J()	1.2	26.0	12.1	17.2	22.2	24.2	22.5	15.0	22.5	1.5	0.8	-		
ECWFA2J155J()	1.5	26.0	13.5	18.6	23.6	25.6	22.5	15.0	22.5	1.5	0.8	-		
ECWFA2J185J()	1.8	26.0	14.8	19.8	24.8	26.8	22.5	15.0	22.5	1.5	0.8	500		
ECWFA2J225J()	2.2	26.0	16.3	21.4	26.4	28.4	22.5	15.0	22.5	1.5	0.8	400		

* () : Suffix for lead crimped

Metallized Polypropylene Film Capacitor

ECWFD series

UPGRADE



Non-inductive construction using metallized Polypropylene film with flame retardant epoxy resin coating.

Features

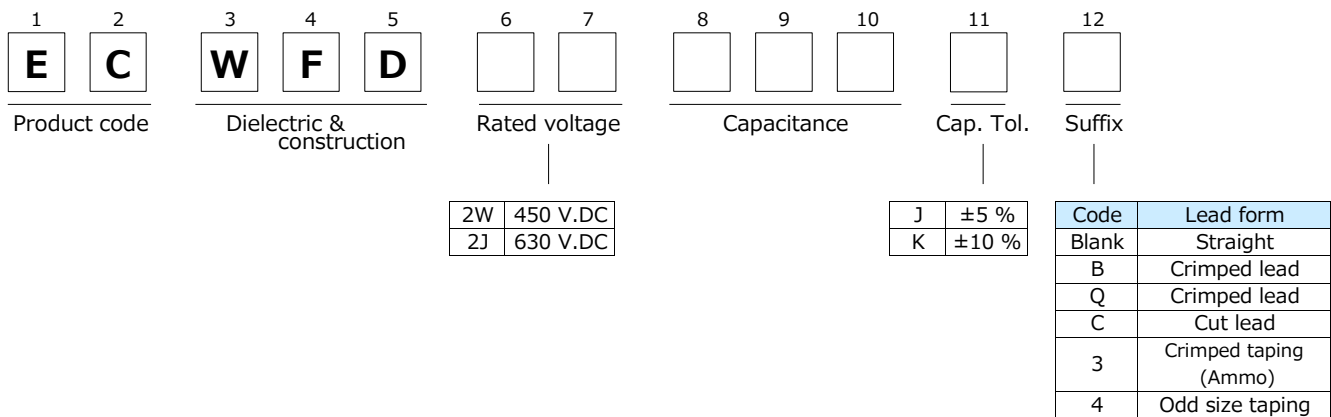
- Small size
- Excellent frequency characteristics
- Low loss
- Flame-retardant epoxy resin coating
- Low hum sound noise
- RoHS compliant

Recommended applications

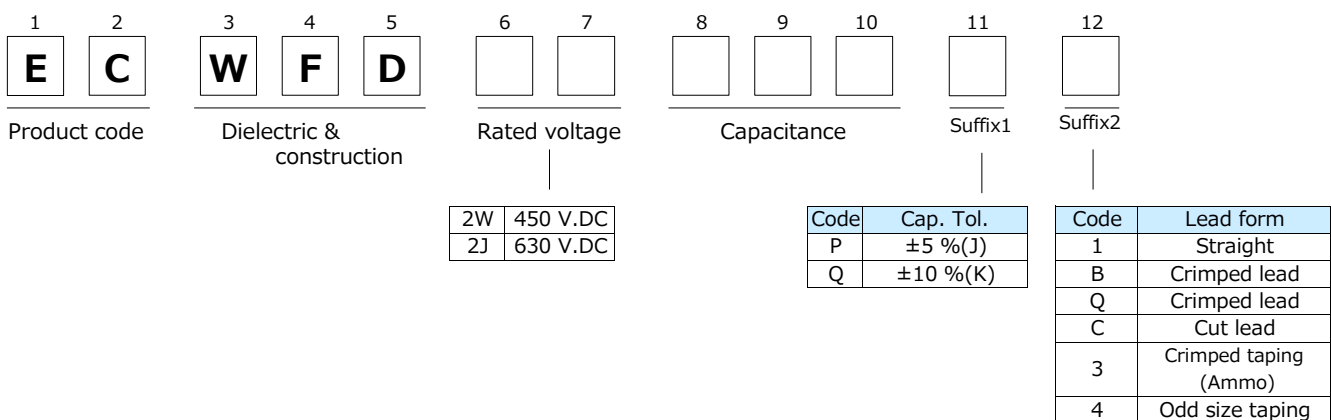
- Active filter circuit
- High frequency circuit

Explanation of part number

- Standard product



- Short lead space product 450 V.DC (0.47 μ F, 0.68 μ F, 1.0 μ F), 630 V.DC (1.0 μ F)

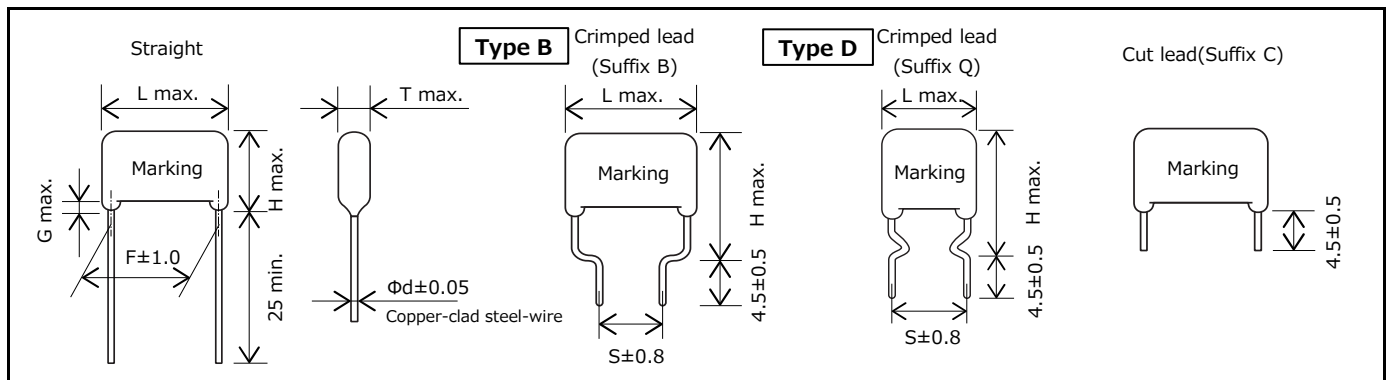


Specifications

Category temp. range (Including temperature-rise on unit surface)	450 V.DC	-40 °C to +110 °C
	630 V.DC	-40 °C to +105 °C
Rated voltage	450 V.DC	Peak to peak voltage applied on the capacitor should be less than 240 Vp-p, and zero to peak voltage should be less than 450 Vo-p. (Derating of rated voltage by 0.62 %/°C at more than 85 °C)
	630 V.DC	Peak to peak voltage applied on the capacitor should be less than 400 Vp-p, and zero to peak voltage should be less than 630 Vo-p. (Derating of rated voltage by 1.0%/°C at more than 85 °C)
Capacitance range	450 V.DC	0.1 μF to 4.7 μF
	630 V.DC	0.01 μF to 4.7 μF
Capacitance tolerance	±5% (J), ±10 % (K)	
Dissipation factor (tan δ)	tan δ ≤ 0.1 % (20 °C, 1 kHz)	
Withstand voltage	Between terminals : Rated voltage (V.DC)×150 % 60 s	
Insulation resistance (IR)	450 V.DC	C ≤ 0.33 μF : IR ≥ 30,000 MΩ C > 0.33 μF : IR ≥ 10,000 MΩ·μF (20 °C, 100 V.DC, 60 s)
	630 V.DC	C ≤ 0.33 μF : IR ≥ 9,000 MΩ C > 0.33 μF : IR ≥ 3,000 MΩ·μF (20 °C, 500 V.DC, 60 s)

*: In case of applying voltage in alternating current (50 Hz or 60 Hz sine wave) to a capacitor with DC rated voltage, please refer to the page of "Permissible voltage (R.M.S) in alternating current corresponding to DC rated voltage".

Dimensions

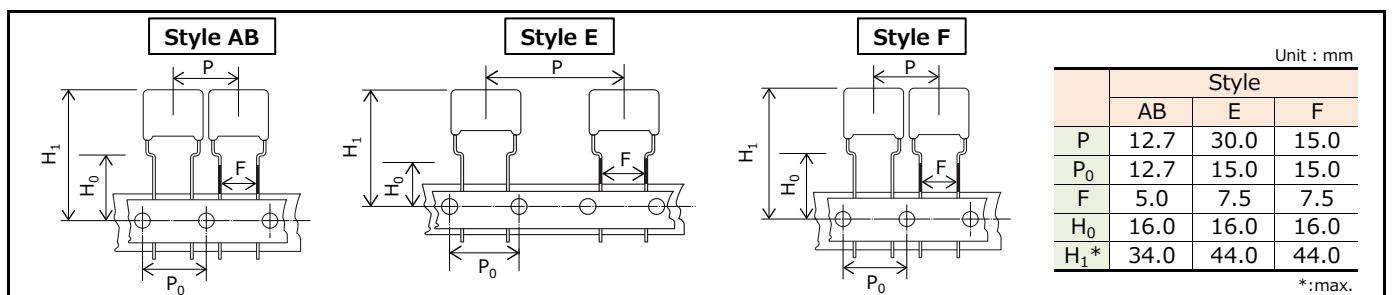


Packaging specifications for bulk package

- Packing quantity : 100 pcs./bag

Taping specifications for automatic insertion

- Taping style



*: H₁ dimension is based on insertion machine "Panaset RH series" made by Panasonic. Consult with Panasonic technical staff when using other insertion machines.

- Packaging specifications

Series	Rated volt. (V.DC)	Capacitance range (μF)	Taping style							Packing	suffix	
			AD	AS	AB	B	C	D	E			F
ECWFD	450	0.10 to 0.39			○						Crimped taping	3
		0.47, 0.68, 1.0			○							P3/Q3
		0.10 to 0.39								○		4
	630	0.47 to 2.2							○		Odd size taping	P4/Q4
		0.047 to 0.22								○		4
		0.27 to 0.82								○		4
		1							○		P4/Q4	

See the column "Rating · Dimensions · Quantity" for packaging quantity

- Lead spacing

Style	Lead spacing
AB	5.0
E	7.5
F	7.5

Unit : mm

Rating · Dimensions · Quantity

● Rated voltage : 450 V.DC, Capacitance tolerance : ±5 %(J), ± 10 %(K)

Part No.	Cap. (μ F)	Dimensions (mm)										Min. order Q'ty				
		L max.	T max.	H max.			F	S		G max.	Φ d	Taping		Bulk		
				Straight	Crimped lead (Suffix B)	Crimped lead (Suffix Q)		Crimped lead (Suffix B)	Crimped lead (Suffix Q)			Standard 5.0 mm	Odd size 7.5 mm	Straight	Crimped lead	
ECWFD2W104□()	0.10	12.6	4.5	-	13.9	13.9	-	7.5	10.0	-	0.6	1500	1400	-		
ECWFD2W124□()	0.12	12.6	4.6		14.0	14.0		7.5	10.0		0.6					
ECWFD2W154□()	0.15	12.6	4.6		14.1	14.1		7.5	10.0		0.6					
ECWFD2W184□()	0.18	12.6	4.8		14.3	14.3		7.5	10.0		0.6					
ECWFD2W224□()	0.22	12.6	5.0		14.6	14.6		7.5	10.0		0.6	1400	1300			
ECWFD2W274□()	0.27	12.6	5.3		15.0	15.0		7.5	10.0		0.6	1300	1200			
ECWFD2W334□()	0.33	12.6	5.6		15.4	15.4		7.5	10.0		0.6	1200	1100			
ECWFD2W394□()	0.39	12.6	6.0		15.7	15.7		7.5	10.0		0.6	1100	1000			
ECWFD2W474P()	0.47	12.6	6.5	11.2	16.2	16.2	10.0	7.5	10.0	1.5	0.6	1000	900	1000		
ECWFD2W474Q()		17.5	5.8	9.0	14.0	16.0	15.0	7.5	15.0	1.5	0.8	-	500			
ECWFD2W474□()	0.47	17.5	5.8	9.0	14.0	16.0	15.0	7.5	15.0	1.5	0.8	-	500			
ECWFD2W564□()	0.56	17.5	6.2	9.4	14.4	16.4	15.0	7.5	15.0	1.5	0.8	-	500			
ECWFD2W684P()	0.68	12.6	7.7	12.4	17.4	17.4	10.0	7.5	10.0	1.5	0.6	800	700			
ECWFD2W684Q()		17.5	6.7	9.9	14.9	16.9	15.0	7.5	15.0	1.5	0.8	-	400			
ECWFD2W684□()	0.68	17.5	6.7	9.9	14.9	16.9	15.0	7.5	15.0	1.5	0.8	-	400			
ECWFD2W824□()	0.82	17.5	7.2	10.4	15.4	17.4	15.0	7.5	15.0	1.5	0.8	-	400			
ECWFD2W105P()	1.0	12.6	9.2	13.9	18.9	18.9	10.0	7.5	10.0	1.5	0.6	700	600			
ECWFD2W105Q()		17.5	7.8	11.0	16.0	18.0	15.0	7.5	15.0	1.5	0.8	-	400			
ECWFD2W105□()	1.0	17.5	7.8	11.0	16.0	18.0	15.0	7.5	15.0	1.5	0.8	-	400			
ECWFD2W125□()	1.2	17.5	8.5	11.6	16.6	18.6	15.0	7.5	15.0	1.5	0.8	-	300			
ECWFD2W155□()	1.5	17.5	9.3	12.5	17.5	19.5	15.0	7.5	15.0	1.5	0.8	-	300			
ECWFD2W185□()	1.8	17.5	10.1	13.3	18.3	20.3	15.0	7.5	15.0	1.5	0.8	-	300			
ECWFD2W225□()	2.2	17.5	11.1	14.3	19.3	21.3	15.0	7.5	15.0	1.5	0.8	-	200			
ECWFD2W275□()	2.7	25.3	9.0	13.7	18.7	20.7	22.5	15.0	22.5	1.5	0.8	-	200			
ECWFD2W335□()	3.3	25.3	9.8	14.6	19.6	21.6	22.5	15.0	22.5	1.5	0.8	-	200			
ECWFD2W395□()	3.9	25.3	10.7	15.4	20.4	22.4	22.5	15.0	22.5	1.5	0.8	-	800			
ECWFD2W475□()	4.7	25.3	11.7	16.4	21.4	23.4	22.5	15.0	22.5	1.5	0.8	-	600			600

* □ : Capacitance tolerance code
* () : Suffix for lead crimped

Note) Part number marked with bold is short lead space product.

Rating · Dimensions · Quantity

- Rated voltage : 630 V.DC, Capacitance tolerance : $\pm 5\%$ (J), $\pm 10\%$ (K)

Part No.	Cap. (μ F)	Dimensions (mm)										Min. order Q'ty		
		L max.	T max.	H max.			F	S		G max.	Φ d	Taping	Bulk	
				Straight	Crimped lead (Suffix B)	Crimped lead (Suffix Q)		Crimped lead (Suffix B)	Crimped lead (Suffix Q)			Odd size 7.5 mm	Straight	Crimped lead
NEW ECWFD2J103□()	0.01	12.6	4.9	-	8.0	8.0	-	7.5	10.0	-	0.6	-	-	1000
NEW ECWFD2J123□()	0.012	12.6	5.2	-	8.2	8.2	-	7.5	10.0	-	0.6	-	-	
NEW ECWFD2J153□()	0.015	12.6	5.6	-	8.6	8.6	-	7.5	10.0	-	0.6	-	-	
NEW ECWFD2J183□()	0.018	12.6	5.9	-	9.0	9.0	-	7.5	10.0	-	0.6	-	-	
NEW ECWFD2J223□()	0.022	12.6	6.4	-	9.4	9.4	-	7.5	10.0	-	0.6	-	-	
NEW ECWFD2J273□()	0.027	12.6	6.9	-	9.9	9.9	-	7.5	10.0	-	0.6	-	-	
NEW ECWFD2J333□()	0.033	12.6	7.5	-	10.5	10.5	-	7.5	10.0	-	0.6	-	-	
NEW ECWFD2J393□()	0.039	12.6	8.0	-	11.0	11.0	-	7.5	10.0	-	0.6	-	-	
ECWFD2J473□()	0.047	12.6	4.4	-	12.8	12.8	-	7.5	10.0	-	0.6	1300	-	1000
ECWFD2J563□()	0.056	12.6	4.7	-	13.1	13.1	-	7.5	10.0	-	0.6	1200	-	
ECWFD2J683□()	0.068	12.6	5.0	-	13.4	13.4	-	7.5	10.0	-	0.6	1000	-	
ECWFD2J823□()	0.082	12.6	5.4	-	13.7	13.7	-	7.5	10.0	-	0.6	900	-	
ECWFD2J104□()	0.10	12.6	5.8	-	14.2	14.2	-	7.5	10.0	-	0.6	700	-	
ECWFD2J124□()	0.12	12.6	6.2	-	14.6	14.6	-	7.5	10.0	-	0.6	500	-	
ECWFD2J154□()	0.15	12.6	6.8	-	15.2	15.2	-	7.5	10.0	-	0.6	400	-	
ECWFD2J184□()	0.18	12.6	7.4	-	15.7	15.7	-	7.5	10.0	-	0.6	300	-	
ECWFD2J224□()	0.22	12.6	8.1	-	16.4	16.4	-	7.5	10.0	-	0.6	200	-	
ECWFD2J274□()	0.27	17.8	6.0	11.0	16.0	18.0	15.0	7.5	15.0	1.5	0.8	400	-	
ECWFD2J334□()	0.33	17.8	6.6	11.5	16.5	18.5	15.0	7.5	15.0	1.5	0.8	300	-	
ECWFD2J394□()	0.39	17.8	7.1	12.0	17.0	19.0	15.0	7.5	15.0	1.5	0.8	200	-	
ECWFD2J474□()	0.47	17.8	7.8	12.7	17.7	19.7	15.0	7.5	15.0	1.5	0.8	1000	-	
ECWFD2J564□()	0.56	17.8	8.4	13.3	18.3	20.3	15.0	7.5	15.0	1.5	0.8	800	900	
ECWFD2J684□()	0.68	17.8	9.3	14.2	19.2	21.2	15.0	7.5	15.0	1.5	0.8	600	800	
ECWFD2J824□()	0.82	17.8	10.2	15.1	20.1	22.1	15.0	7.5	15.0	1.5	0.8	500	700	
ECWFD2J105P()	1.0	17.8	11.2	16.1	21.1	23.1	15.0	7.5	15.0	1.5	0.8	200	-	-
ECWFD2J105Q()														
ECWFD2J105□()	1.0	25.3	8.4	13.5	18.5	20.5	22.5	15.0	22.5	1.5	0.8	400	600	
ECWFD2J125□()	1.2	25.3	9.2	14.3	19.3	21.3	22.5	15.0	22.5	1.5	0.8	300	400	
ECWFD2J155□()	1.5	25.3	10.3	15.5	20.5	22.5	22.5	15.0	22.5	1.5	0.8	200	300	
ECWFD2J185□()	1.8	25.3	11.2	16.5	21.5	23.5	22.5	15.0	22.5	1.5	0.8	1000	1000	
ECWFD2J225□()	2.2	25.3	12.4	17.7	22.7	24.7	22.5	15.0	22.5	1.5	0.8	800	900	
ECWFD2J275□()	2.7	25.3	13.8	19.2	24.2	26.2	22.5	15.0	22.5	1.5	0.8	600	800	
ECWFD2J335□()	3.3	25.3	15.3	20.7	25.7	27.7	22.5	15.0	22.5	1.5	0.8	500	700	
ECWFD2J395□()	3.9	25.3	16.6	22.1	27.1	29.1	22.5	15.0	22.5	1.5	0.8	400	600	
ECWFD2J475□()	4.7	25.3	18.3	23.9	28.9	30.9	22.5	15.0	22.5	1.5	0.8	300	400	

* □ : Capacitance tolerance code
 * () : Suffix for lead crimped

Note) Part number marked with bold is short lead space product.

Metallized Polypropylene Film Capacitor

ECWFE series

UPGRADE



Non-inductive construction using metallized Polypropylene film with flame retardant plastic case.

Features

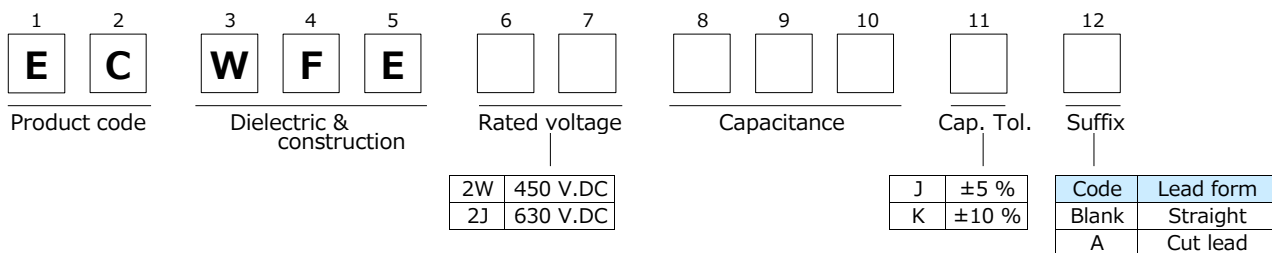
- Small size
- Excellent frequency characteristics
- Low loss
- Flame retardant plastic case and non-combustible resin
- Low hum sound noise
- RoHS compliant

Recommended applications

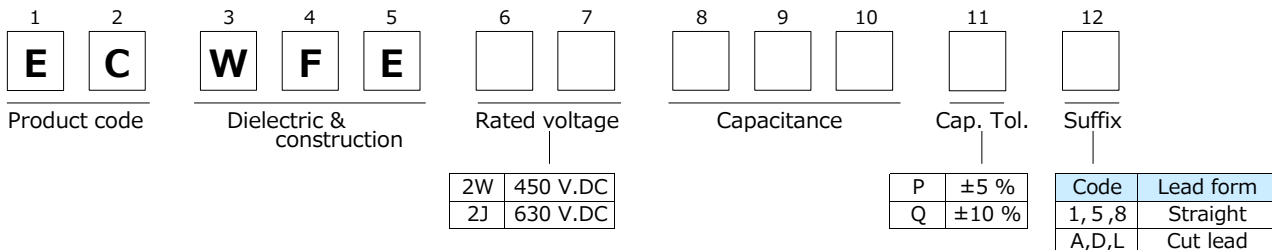
- Active filter circuit
- High frequency circuit

Explanation of part number

- Standard



- Special lead space product

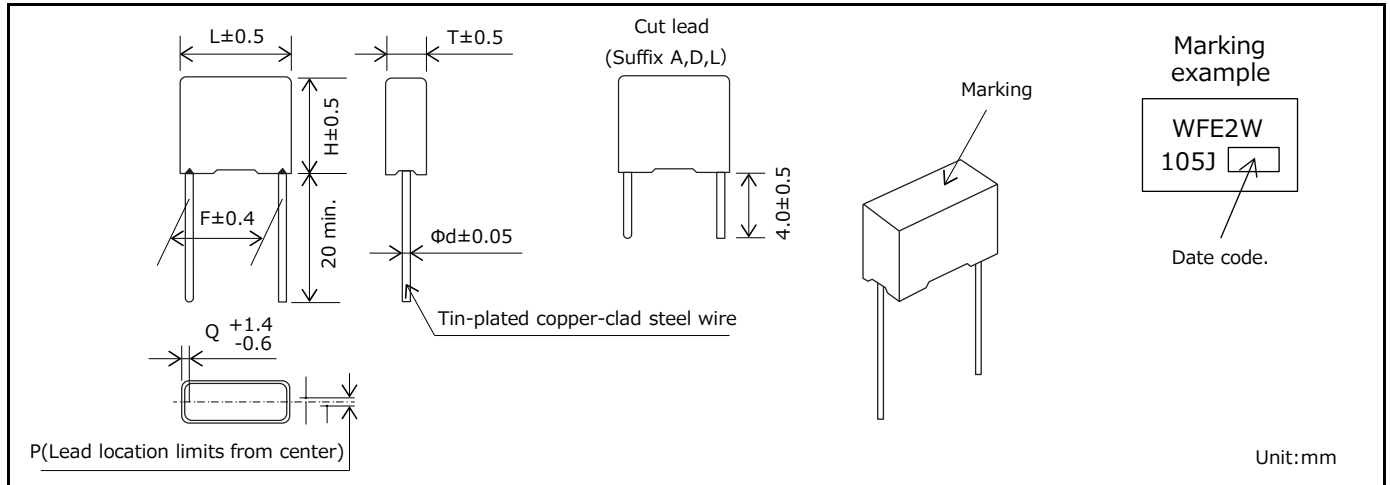


Specifications

Category temp. range (Including temperature-rise on unit surface)	-40 °C to +105 °C	
Rated voltage	450 V.DC	Peak to peak voltage applied on the capacitor should be less than 240 Vp-p, and zero to peak voltage should be less than 450 Vo-p. (Derating of rated voltage by 1.25 %/°C at more than 85 °C)
	630 V.DC	Peak to peak voltage applied on the capacitor should be less than 400 Vp-p, and zero to peak voltage should be less than 630 Vo-p. (Derating of rated voltage by 1.0%/°C at more than 85 °C)
Capacitance range	450 V.DC	0.1 μF to 4.7 μF
	630 V.DC	0.1 μF to 2.2 μF
Capacitance tolerance	±5% (J), ±10 % (K)	
Dissipation factor (tan δ)	tan δ ≤ 0.1 % (20 °C, 1 kHz)	
Withstand voltage	Between terminals : Rated voltage (V.DC)×150 % 60 s	
Insulation resistance (IR)	450 V.DC	C ≤ 0.33 μF : IR ≥ 30,000 MΩ C > 0.33 μF : IR ≥ 10,000 MΩ·μF (20 °C, 100 V.DC, 60 s)
	630 V.DC	C ≤ 0.33 μF : IR ≥ 9,000 MΩ C > 0.33 μF : IR ≥ 3,000 MΩ·μF (20 °C, 500 V.DC, 60 s)

* In case of applying voltage in alternating current (50 Hz or 60 Hz sine wave) to a capacitor with DC rated voltage, please refer to the page of "Permissible voltage (R.M.S) in alternating current corresponding to DC rated voltage".

Dimensions



Rating · Dimensions · Quantity

- Rated voltage : 450 V.DC, Capacitance tolerance : ±5 % (J), ± 10 % (K)

Part No.	Cap. (μF)	Dimensions (mm)							Min. order Q'ty	
		L	T	H	F	Φd	P	Q	Straight	Cut lead
ECWFE2W104□()	0.10	13.0	5.0	10.5	10.0	0.6	0±0.8	1.5	1000	1000
NEW ECWFE2W104P()	0.10	17.5	5.0	10.5	15.0	0.6	0±0.8	1.25		
NEW ECWFE2W104Q()										
ECWFE2W154□()	0.15	13.0	5.0	10.5	10.0	0.6	0±0.8	1.5		
NEW ECWFE2W154P()	0.15	17.5	5.0	10.5	15.0	0.6	0±0.8	1.25		
NEW ECWFE2W154Q()										
ECWFE2W224□()	0.22	13.0	6.0	12.0	10.0	0.6	0±0.8	1.5		
NEW ECWFE2W224P()	0.22	17.5	5.0	10.5	15.0	0.6	0±0.8	1.25		
NEW ECWFE2W224Q()										
ECWFE2W334□()	0.33	13.0	6.0	12.0	10.0	0.6	0±0.8	1.5		
NEW ECWFE2W334P()	0.33	17.5	5.0	10.5	15.0	0.6	0±0.8	1.25		
NEW ECWFE2W334Q()										
NEW ECWFE2W474P()	0.47	13.0	7.0	12.5	10.0	0.6	0±0.8	1.5		
NEW ECWFE2W474Q()										
ECWFE2W474□()	0.47	17.5	6.0	11.5	15.0	0.8	0±0.8	1.3		
ECWFE2W684□()	0.68	17.5	7.0	12.5	15.0	0.8	0±0.8	1.3		
ECWFE2W105□()	1.0	17.5	7.0	12.5	15.0	0.8	0±0.8	1.3		
ECWFE2W155□()	1.5	17.5	10.0	15.5	15.0	0.8	0±0.8	1.3	600	
NEW ECWFE2W155P()	1.5	31.0	9.0	19.0	27.5	0.8	0±0.8	1.75	400	300
NEW ECWFE2W155Q()										
ECWFE2W225□()	2.2	17.5	10.0	15.5	15.0	0.8	0±0.8	1.3	1000	600
NEW ECWFE2W225P()	2.2	31.0	11.0	21.0	27.5	0.8	0±0.8	1.75	200	200
NEW ECWFE2W225Q()										
ECWFE2W335□()	3.3	26.0	10.0	17.0	22.5	0.8	0±0.8	1.8	500	300
NEW ECWFE2W335P()	3.3	31.0	13.0	23.0	27.5	0.8	0±0.8	1.75	200	200
NEW ECWFE2W335Q()										
ECWFE2W475□()	4.7	26.0	12.0	19.0	22.5	0.8	0±0.8	1.8	300	200
NEW ECWFE2W475P()	4.7	31.0	15.5	25.5	27.5	0.8	0±0.8	1.75	150	100
NEW ECWFE2W475Q()										

* □ : Capacitance tolerance code
 * () : Suffix for lead crimped

Note) Part number marked with bold is special lead space product.

The capacitance of 0.10 μF, 0.15 μF, 0.22 μF, 0.33 μF, 3.3 μF, 4.7 μF are "5" or "D"
 The capacitance of 0.47 μF is "1" or "A"
 The capacitance of 1.5 μF, 2.2 μF are "8" or "L"

Rating · Dimensions · Quantity

- Rated voltage : 630 V.DC, Capacitance tolerance : $\pm 5\%$ (J), $\pm 10\%$ (K)

Part No.	Cap. (μ F)	Dimensions (mm)							Min. order Q'ty	
		L	T	H	F	Φ d	P	Q	Straight	Cut lead
ECWFE2J104□()	0.10	17.5	5.0	10.5	15.0	0.6	0 \pm 0.8	1.3	1000	1000
NEW ECWFE2J104P()	0.10	26.0	6.0	13.0	22.5	0.8	0 \pm 0.8	1.75	900	700
NEW ECWFE2J104Q()										
ECWFE2J154□()	0.15	17.5	6.0	11.5	15.0	0.6	0 \pm 0.8	1.3	1000	1000
NEW ECWFE2J154P()	0.15	26.0	6.0	13.0	22.5	0.8	0 \pm 0.8	1.75	900	700
NEW ECWFE2J154Q()										
ECWFE2J224□()	0.22	17.5	7.0	12.5	15.0	0.6	0 \pm 0.8	1.3	1000	1000
NEW ECWFE2J224P()	0.22	26.0	6.0	13.0	22.5	0.8	0 \pm 0.8	1.75	900	700
NEW ECWFE2J224Q()										
ECWFE2J334□()	0.33	17.5	8.5	14.5	15.0	0.6	0 \pm 0.8	1.3	1000	800
NEW ECWFE2J334P()	0.33	26.0	7.0	14.0	22.5	0.8	0 \pm 0.8	1.75	700	500
NEW ECWFE2J334Q()										
ECWFE2J474□()	0.47	17.5	10.0	15.5	15.0	0.6	0 \pm 0.8	1.3	1000	600
NEW ECWFE2J474P()	0.47	26.0	8.0	15.0	22.5	0.8	0 \pm 0.8	1.75	600	400
NEW ECWFE2J474Q()										
ECWFE2J684□()	0.68	17.5	11.0	17.5	15.0	0.6	0 \pm 0.8	1.3	600	600
ECWFE2J105□()	1.0	26.0	10.0	17.0	22.5	0.8	0 \pm 0.8	1.8	500	300
NEW ECWFE2J105P()	1.0	31.0	9.0	19.0	27.5	0.8	0 \pm 0.8	1.75	400	
NEW ECWFE2J105Q()										
ECWFE2J155□()	1.5	26.0	12.0	19.0	22.5	0.8	0 \pm 0.8	1.8	300	200
NEW ECWFE2J155P()	1.5	31.0	11.0	21.0	27.5	0.8	0 \pm 0.8	1.75	200	
NEW ECWFE2J155Q()										
ECWFE2J225□()	2.2	26.0	16.0	23.0	22.5	0.8	0 \pm 0.8	1.8	200	
NEW ECWFE2J225P()	2.2	31.0	13.0	23.0	27.5	0.8	0 \pm 0.8	1.75	200	
NEW ECWFE2J225Q()										

- * □ : Capacitance tolerance code
- * () : Suffix for lead crimped

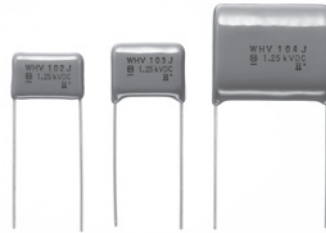
Note) Part Number marked with bold is Special Lead space product.

The capacitance of 0.10 μ F, 0.15 μ F, 0.22 μ F, 0.33 μ F, 0.47 μ F, 1.0 μ F, 1.5 μ F, 2.2 μ F are "5" or "D"

Metallized Polypropylene Film Capacitor

Series : ECWH(V)

Non-inductive construction using metallized polypropylene film with flame retardant epoxy resin coating.



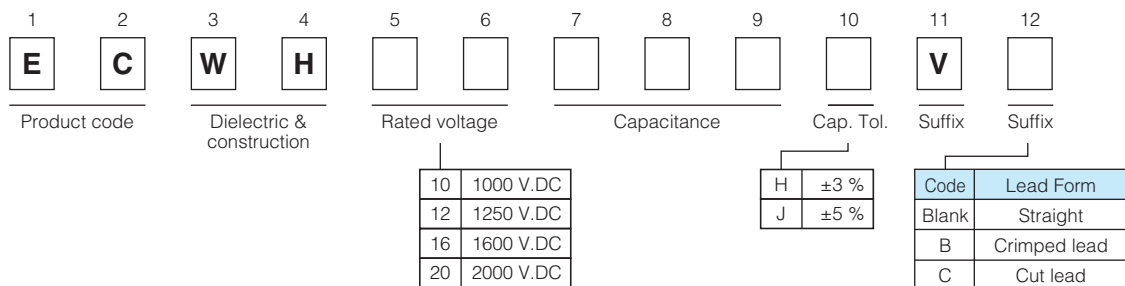
Features

- Low-loss
- Excellent electrical characteristics
- Flame retardant epoxy resin coating
- RoHS directive compliant

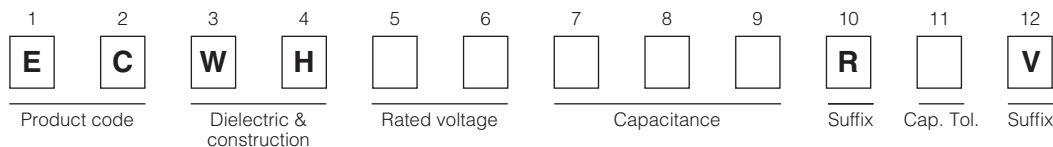
Recommended applications

- High frequency high voltage circuit (General resonance, inverter circuit)

Explanation of part number



- Odd size taping

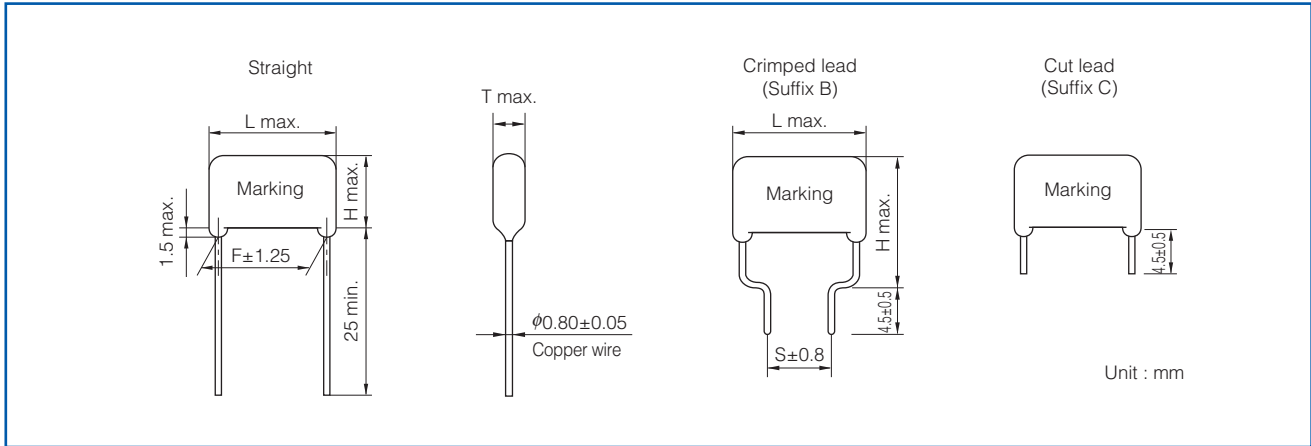


Specifications

Category temp. range (Including temperature-rise on unit surface)	- 40 °C to +105 °C	
Rated voltage	1000 V.DC, 1250 V.DC (1000 Vp-p) 1600 V.DC (1200 Vp-p), 2000 V.DC (1500 Vp-p) (Derating of rated voltage by 1.25 %/°C at more than 85 °C)	
Capacitance range	1000 V.DC	0.0075 μF to 0.10 μF
	1250 V.DC	0.0036 μF to 0.10 μF
	1600 V.DC	0.0013 μF to 0.056 μF
	2000 V.DC	0.001 μF to 0.015 μF
Capacitance tolerance	±3 % (H), ±5 % (J)	
Dissipation factor (tan δ)	tan δ ≤ 0.1 % (20 °C, 1 kHz) tan δ ≤ 0.2 % (20 °C, 10 kHz)	
Withstand voltage	Between terminals : Rated volt. (V.DC) × 150 %, 60 s Between terminals to enclosure : 1500 V.AC 60 s	
Insulation resistance (IR)	IR ≥ 30000 MΩ (20 °C, 500 V.DC, 60 s)	

* In case of applying voltage in alternating current (50 Hz or 60 Hz sine wave) to a capacitor with DC rated voltage, please refer to the page of "Permissible voltage (R.M.S) in alternating current corresponding to DC rated voltage".

Dimensions

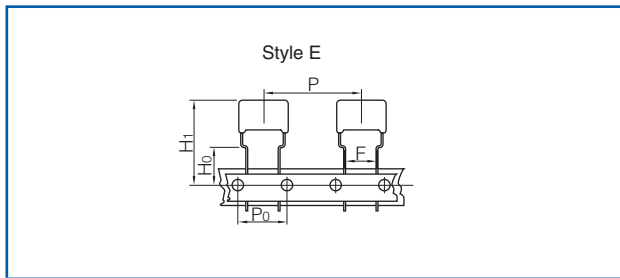


Packaging specifications for bulk package

- Packing quantity : 100 pcs./bag

Taping specifications for automatic insertion

- Taping style



* Refer to the page of taping specifications.

- Taping style

Series	Rated voltage (V.DC)	Capacitance range (μF)	Taping style						Packing	suffix
			AD	AS	B	C	D	E		
ECWH(V)	1000	0.0075 to 0.10						○	Ammo	R() V
	1250	0.0036 to 0.051						○		R() V
	1600	0.0013 to 0.020						○		R() V
	2000	0.0010 to 0.015						○		R() V

* See the column "Rating · Dimensions · Quantity" for packing quantity

- Lead spacing

Style	Lead spacing
E	7.5 mm

Rating · Dimensions · Quantity

● Rated voltage : 1000 V.DC, Capacitance tolerance : $\pm 3\%$ (H), $\pm 5\%$ (J)

Part No.	Cap. (μ F)	Dimensions (mm)							Min. order Q'ty	
		L max.	T max.	H max.		F	S	ϕ d	Taping	Bulk
				Straight	Crimped lead				Straight	Crimped lead
ECWH10752□V()	0.0075	18.0	6.0	12.5	17.5	15.0	10.0	0.8	500	
ECWH10822□V()	0.0082	18.0	6.0	12.5	17.5	15.0	10.0	0.8		
ECWH10912□V()	0.0091	18.0	6.0	13.0	18.0	15.0	10.0	0.8		
ECWH10103□V()	0.010	18.0	6.5	13.0	18.0	15.0	10.0	0.8		
ECWH10113□V()	0.011	18.0	6.5	13.5	18.5	15.0	10.0	0.8		
ECWH10123□V()	0.012	18.0	6.5	13.5	18.5	15.0	10.0	0.8		
ECWH10133□V()	0.013	18.0	7.0	13.5	18.5	15.0	10.0	0.8		
ECWH10153□V()	0.015	18.0	7.0	14.0	19.0	15.0	10.0	0.8		
ECWH10163□V()	0.016	18.0	7.5	14.0	19.0	15.0	10.0	0.8		
ECWH10183□V()	0.018	18.0	7.5	14.5	19.5	15.0	10.0	0.8		
ECWH10203□V()	0.020	18.0	8.0	15.0	20.0	15.0	10.0	0.8	400	
ECWH10223□V()	0.022	18.0	8.5	15.0	20.0	15.0	10.0	0.8		
ECWH10243□V()	0.024	18.0	8.5	15.5	20.5	15.0	10.0	0.8		
ECWH10273□V()	0.027	18.0	9.0	16.0	21.0	15.0	10.0	0.8	300	500
ECWH10303□V()	0.030	18.0	9.5	16.5	21.5	15.0	10.0	0.8		
ECWH10333□V()	0.033	23.0	7.5	16.0	21.0	20.0	15.0	0.8	400	
ECWH10363□V()	0.036	23.0	7.5	16.0	21.0	20.0	15.0	0.8		
ECWH10393□V()	0.039	23.0	8.0	16.5	21.5	20.0	15.0	0.8		
ECWH10433□V()	0.043	23.0	8.5	16.5	21.5	20.0	15.0	0.8		
ECWH10473□V()	0.047	23.0	8.5	17.0	22.0	20.0	15.0	0.8		
ECWH10513□V()	0.051	23.0	9.0	17.5	22.5	20.0	15.0	0.8	300	
ECWH10563□V()	0.056	23.0	9.5	17.5	22.5	20.0	15.0	0.8		
ECWH10623□V()	0.062	23.0	9.5	18.0	23.0	20.0	15.0	0.8		
ECWH10683□V()	0.068	23.0	10.0	19.0	24.0	20.0	15.0	0.8		
ECWH10753□V()	0.075	23.0	10.5	19.5	24.5	20.0	15.0	0.8		
ECWH10823□V()	0.082	23.0	11.0	20.0	25.0	20.0	15.0	0.8		
ECWH10913□V()	0.091	23.0	11.5	20.5	25.5	20.0	15.0	0.8		
ECWH10104□V()	0.10	23.0	12.0	21.0	26.0	20.0	15.0	0.8		

* □ : Capacitance tolerance code
() : Suffix for lead crimped

Rating · Dimensions · Quantity

● Rated voltage : 1250 V.DC, Capacitance tolerance : $\pm 3\%$ (H), $\pm 5\%$ (J)

Part No.	Cap. (μ F)	Dimensions (mm)							Min. order Q'ty		
		L max.	T max.	H max.		F	S	ϕ d	Taping	Bulk	
				Straight	Crimped lead	Straight	Crimped lead		7.5 mm	Straight	Crimped lead
ECWH12362□V()	0.0036	18.0	6.0	12.5	17.5	15.0	10.0	0.8	500	500	500
ECWH12392□V()	0.0039	18.0	6.0	12.5	17.5	15.0	10.0	0.8			
ECWH12432□V()	0.0043	18.0	6.0	13.0	18.0	15.0	10.0	0.8			
ECWH12472□V()	0.0047	18.0	6.0	13.0	18.0	15.0	10.0	0.8			
ECWH12512□V()	0.0051	18.0	6.5	13.0	18.0	15.0	10.0	0.8			
ECWH12562□V()	0.0056	18.0	6.5	13.5	18.5	15.0	10.0	0.8			
ECWH12622□V()	0.0062	18.0	6.5	13.5	18.5	15.0	10.0	0.8			
ECWH12682□V()	0.0068	18.0	7.0	13.5	18.5	15.0	10.0	0.8			
ECWH12752□V()	0.0075	18.0	7.0	14.0	19.0	15.0	10.0	0.8			
ECWH12822□V()	0.0082	18.0	7.5	14.0	19.0	15.0	10.0	0.8			
ECWH12912□V()	0.0091	18.0	7.5	14.5	19.5	15.0	10.0	0.8			
ECWH12103□V()	0.010	18.0	8.0	15.0	20.0	15.0	10.0	0.8	400	500	500
ECWH12113□V()	0.011	18.0	8.5	15.0	20.0	15.0	10.0	0.8			
ECWH12123□V()	0.012	18.0	8.5	15.5	20.5	15.0	10.0	0.8			
ECWH12133□V()	0.013	18.0	9.0	15.5	20.5	15.0	10.0	0.8			
ECWH12153□V()	0.015	18.0	9.5	16.0	21.0	15.0	10.0	0.8	500	500	500
ECWH12163□V()	0.016	23.0	7.5	16.0	21.0	20.0	15.0	0.8			
ECWH12183□V()	0.018	23.0	7.5	16.0	21.0	20.0	15.0	0.8	400	500	500
ECWH12203□V()	0.020	23.0	8.0	16.5	21.5	20.0	15.0	0.8			
ECWH12223□V()	0.022	23.0	8.5	16.5	21.5	20.0	15.0	0.8	400	500	500
ECWH12243□V()	0.024	23.0	8.5	17.0	22.0	20.0	15.0	0.8			
ECWH12273□V()	0.027	23.0	9.0	17.5	22.5	20.0	15.0	0.8	300	500	500
ECWH12303□V()	0.030	23.0	9.5	18.0	23.0	20.0	15.0	0.8			
ECWH12333□V()	0.033	23.0	10.0	18.5	23.5	20.0	15.0	0.8			
ECWH12363□V()	0.036	23.0	10.0	19.0	24.0	20.0	15.0	0.8			
ECWH12393□V()	0.039	23.0	10.5	19.5	24.5	20.0	15.0	0.8			
ECWH12433□V()	0.043	23.0	11.0	20.0	25.0	20.0	15.0	0.8			
ECWH12473□V()	0.047	23.0	11.5	20.5	25.5	20.0	15.0	0.8			
ECWH12513□V()	0.051	23.0	12.0	21.0	26.0	20.0	15.0	0.8			
ECWH12563□V()	0.056	28.0	11.5	20.0	25.0	25.0	17.5	0.8			
ECWH12623□V()	0.062	28.0	12.0	21.0	26.0	25.0	17.5	0.8			
ECWH12683□V()	0.068	28.0	12.5	21.5	26.5	25.0	17.5	0.8	-	500	500
ECWH12753□V()	0.075	28.0	13.5	22.0	27.0	25.0	17.5	0.8			
ECWH12823□V()	0.082	28.0	14.0	22.5	27.5	25.0	17.5	0.8			
ECWH12913□V()	0.091	28.0	14.5	23.0	28.0	25.0	17.5	0.8			
ECWH12104□V()	0.10	28.0	15.5	24.0	29.0	25.0	17.5	0.8			
ECWH12104□V()	0.10	28.0	15.5	24.0	29.0	25.0	17.5	0.8			

* □ : Capacitance tolerance code
() : Suffix for lead crimped

Rating · Dimensions · Quantity

● Rated voltage : 1600 V.DC, Capacitance tolerance : $\pm 3\%$ (H), $\pm 5\%$ (J)

Part No.	Cap. (μ F)	Dimensions (mm)							Min. order Q'ty		
		L max.	T max.	H max.		F	S	ϕ d	Taping	Bulk	
				Straight	Crimped lead	Straight	Crimped lead		7.5 mm	Straight	Crimped lead
ECWH16132□V()	0.0013	18.0	6.5	13.0	18.0	15.0	10.0	0.8	500		
ECWH16152□V()	0.0015	18.0	6.5	13.5	18.5	15.0	10.0	0.8			
ECWH16162□V()	0.0016	18.0	7.0	13.5	18.5	15.0	10.0	0.8			
ECWH16182□V()	0.0018	18.0	7.0	14.0	19.0	15.0	10.0	0.8			
ECWH16202□V()	0.0020	18.0	7.0	14.0	19.0	15.0	10.0	0.8			
ECWH16222□V()	0.0022	18.0	6.5	13.5	18.5	15.0	10.0	0.8			
ECWH16242□V()	0.0024	18.0	7.0	13.5	18.5	15.0	10.0	0.8			
ECWH16272□V()	0.0027	18.0	7.0	14.0	19.0	15.0	10.0	0.8			
ECWH16302□V()	0.003	18.0	7.5	14.0	19.0	15.0	10.0	0.8	400		
ECWH16332□V()	0.0033	18.0	7.5	14.5	19.5	15.0	10.0	0.8			
ECWH16362□V()	0.0036	18.0	7.0	13.5	18.5	15.0	10.0	0.8	500		
ECWH16392□V()	0.0039	18.0	7.0	14.0	19.0	15.0	10.0	0.8			
ECWH16432□V()	0.0043	18.0	7.0	14.0	19.0	15.0	10.0	0.8			
ECWH16472□V()	0.0047	23.0	6.5	14.5	19.5	20.0	15.0	0.8			
ECWH16512□V()	0.0051	23.0	6.5	15.0	20.0	20.0	15.0	0.8			
ECWH16562□V()	0.0056	23.0	6.5	15.0	20.0	20.0	15.0	0.8			
ECWH16622□V()	0.0062	23.0	7.0	15.0	20.0	20.0	15.0	0.8			
ECWH16682□V()	0.0068	23.0	7.0	15.5	20.5	20.0	15.0	0.8			
ECWH16752□V()	0.0075	23.0	7.5	15.5	20.5	20.0	15.0	0.8	400	500	500
ECWH16822□V()	0.0082	23.0	7.5	16.0	21.0	20.0	15.0	0.8			
ECWH16912□V()	0.0091	23.0	8.0	16.0	21.0	20.0	15.0	0.8			
ECWH16103□V()	0.010	23.0	8.0	16.5	21.5	20.0	15.0	0.8			
ECWH16113□V()	0.011	23.0	8.5	17.0	22.0	20.0	15.0	0.8	300		
ECWH16123□V()	0.012	23.0	9.0	17.0	22.0	20.0	15.0	0.8			
ECWH16133□V()	0.013	23.0	9.0	17.5	22.5	20.0	15.0	0.8			
ECWH16153□V()	0.015	23.0	9.5	18.0	23.0	20.0	15.0	0.8			
ECWH16163□V()	0.016	23.0	10.0	18.5	23.5	20.0	15.0	0.8			
ECWH16183□V()	0.018	23.0	10.5	19.5	24.5	20.0	15.0	0.8			
ECWH16203□V()	0.020	23.0	11.0	20.0	25.0	20.0	15.0	0.8	-		
ECWH16223□V()	0.022	28.0	9.5	18.0	23.0	25.0	17.5	0.8			
ECWH16243□V()	0.024	28.0	10.0	18.5	23.5	25.0	17.5	0.8			
ECWH16273□V()	0.027	28.0	10.5	19.5	24.5	25.0	17.5	0.8			
ECWH16303□V()	0.030	28.0	11.0	20.0	25.0	25.0	17.5	0.8			
ECWH16333□V()	0.033	28.0	11.5	20.5	25.5	25.0	17.5	0.8			
ECWH16363□V()	0.036	28.0	12.5	21.5	26.5	25.0	17.5	0.8			
ECWH16393□V()	0.039	28.0	13.5	22.0	27.0	25.0	17.5	0.8			
ECWH16433□V()	0.043	28.0	14.5	22.5	27.5	25.0	17.5	0.8			
ECWH16473□V()	0.047	28.0	15.0	23.5	28.5	25.0	17.5	0.8			
ECWH16513□V()	0.051	28.0	15.5	24.0	29.0	25.0	17.5	0.8			
ECWH16563□V()	0.056	28.0	16.0	24.5	29.5	25.0	17.5	0.8			

* □ : Capacitance tolerance code
() : Suffix for lead crimped

Rating · Dimensions · Quantity

● Rated voltage : 2000 V.DC, Capacitance tolerance : $\pm 3\%$ (H), $\pm 5\%$ (J)

Part No.	Cap. (μ F)	Dimensions (mm)							Min. order Q'ty	
		L max.	T max.	H max.		F	S		Taping	Bulk
				Straight	Crimped lead		Straight	Crimped lead	ϕ d	7.5 mm
ECWH20102□V()	0.0010	18.0	6.5	13.5	18.5	15.0	10.0	0.8	500	500
ECWH20112□V()	0.0011	18.0	6.5	13.5	18.5	15.0	10.0	0.8		
ECWH20122□V()	0.0012	18.0	7.0	13.5	18.5	15.0	10.0	0.8		
ECWH20132□V()	0.0013	18.0	7.0	14.0	19.0	15.0	10.0	0.8		
ECWH20152□V()	0.0015	18.0	7.5	14.0	19.0	15.0	10.0	0.8	400	
ECWH20162□V()	0.0016	18.0	7.5	14.5	19.5	15.0	10.0	0.8		
ECWH20182□V()	0.0018	18.0	8.0	14.5	19.5	15.0	10.0	0.8		
ECWH20202□V()	0.0020	18.0	8.0	15.0	20.0	15.0	10.0	0.8		
ECWH20222□V()	0.0022	18.0	8.5	15.0	20.0	15.0	10.0	0.8	300	
ECWH20242□V()	0.0024	18.0	8.5	15.5	20.5	15.0	10.0	0.8		
ECWH20272□V()	0.0027	18.0	9.0	16.0	21.0	15.0	10.0	0.8		
ECWH20302□V()	0.0030	18.0	9.5	16.0	21.0	15.0	10.0	0.8		
ECWH20332□V()	0.0033	18.0	8.5	15.5	20.5	15.0	10.0	0.8	400	
ECWH20362□V()	0.0036	18.0	9.0	15.5	20.5	15.0	10.0	0.8	300	
ECWH20392□V()	0.0039	18.0	9.0	16.0	21.0	15.0	10.0	0.8		
ECWH20432□V()	0.0043	18.0	9.5	16.0	21.0	15.0	10.0	0.8		
ECWH20472□V()	0.0047	23.0	7.0	15.5	20.5	20.0	15.0	0.8	500	
ECWH20512□V()	0.0051	23.0	7.5	16.0	21.0	20.0	15.0	0.8	400	
ECWH20562□V()	0.0056	23.0	7.5	16.0	21.0	20.0	15.0	0.8		
ECWH20622□V()	0.0062	23.0	8.0	16.5	21.5	20.0	15.0	0.8		
ECWH20682□V()	0.0068	23.0	8.5	16.5	21.5	20.0	15.0	0.8		
ECWH20752□V()	0.0075	23.0	9.5	18.0	23.0	20.0	15.0	0.8	300	
ECWH20822□V()	0.0082	23.0	10.0	18.0	23.0	20.0	15.0	0.8		
ECWH20912□V()	0.0091	23.0	10.0	19.0	24.0	20.0	15.0	0.8		
ECWH20103□V()	0.010	23.0	10.5	19.5	24.5	20.0	15.0	0.8		
ECWH20113□V()	0.011	23.0	11.0	20.0	25.0	20.0	15.0	0.8		
ECWH20123□V()	0.012	23.0	11.5	20.5	25.5	20.0	15.0	0.8		
ECWH20133□V()	0.013	23.0	12.0	21.0	26.0	20.0	15.0	0.8		
ECWH20153□V()	0.015	23.0	12.0	21.5	26.5	20.0	15.0	0.8		

* □ : Capacitance tolerance code
() : Suffix for lead crimped

Metallized Polypropylene Film Capacitor

Series : **ECWH(A)**

Non-inductive construction using metallized polypropylene film with flame retardant epoxy resin coating



Features

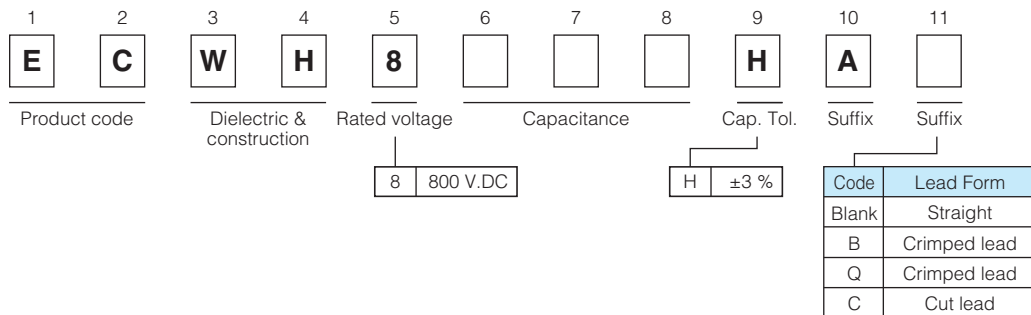
- Small size
- Excellent electrical characteristics
- Low loss
- Low Hum Sound Noise
- Flame retardant epoxy resin coating
- RoHS directive compliant

Recommended applications

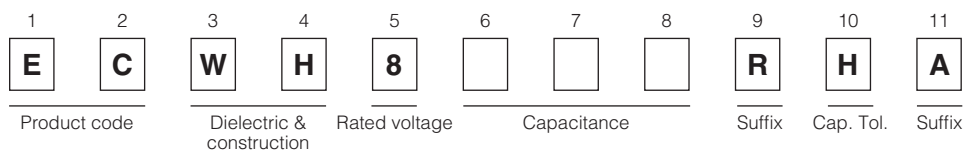
- General resonance circuit

Explanation of part number

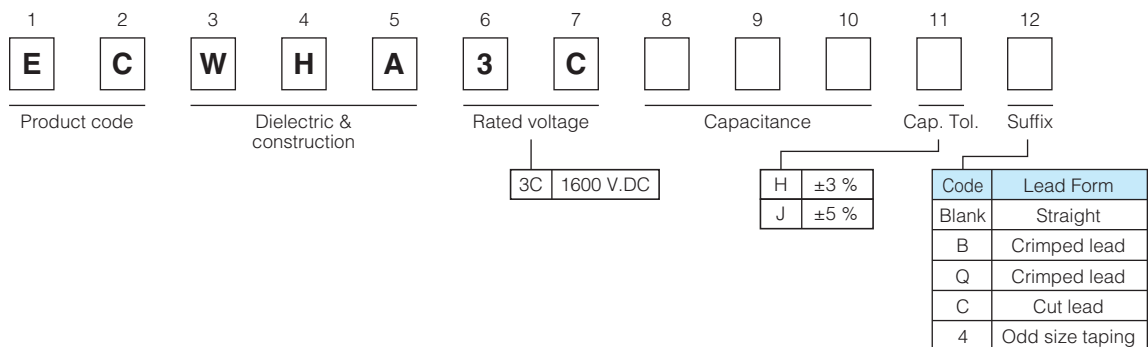
- Rated voltage 800 V.DC (Bulk)



- Rated voltage 800 V.DC (Odd size taping)



- Rated voltage 1600 V.DC

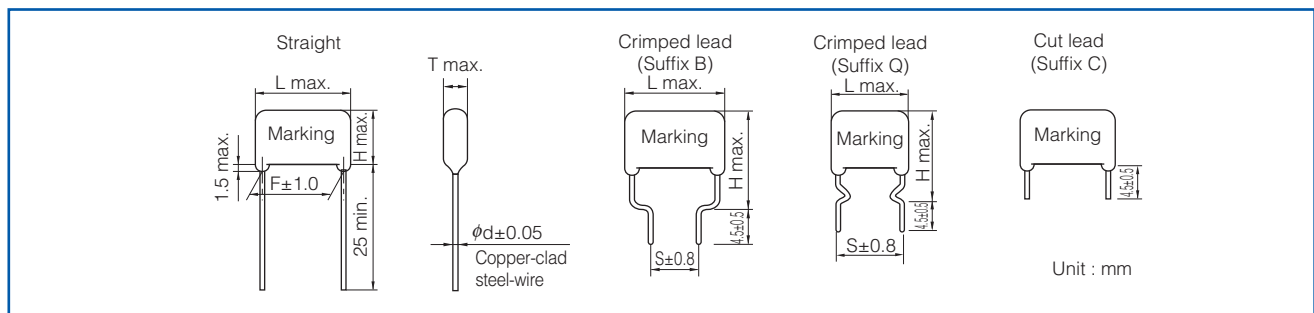


Specifications

Category temp. range (Including temperature-rise on unit surface)	- 40 °C to +105 °C	
Rated voltage	800 V.DC	1600 V.DC
Capacitance range	0.010 μF to 0.047 μF	0.0010 μF to 0.047 μF
Capacitance tolerance	±3 % (H)	±3 % (H), ±5 % (J)
Dissipation factor (tan δ)	tan δ ≤ 0.1 % (20 °C, 1 kHz)	
Withstand voltage	Between terminals : Rated volt. (V.DC) × 150 %, 60 s	
Insulation resistance (IR)	IR ≥ 30000 MΩ (20 °C, 500 V.DC, 60 s)	

* In case of applying voltage in alternating current (50 Hz or 60 Hz sine wave) to a capacitor with DC rated voltage, please refer to the page of "Permissible voltage (R.M.S) in alternating current corresponding to DC rated voltage".

Dimensions

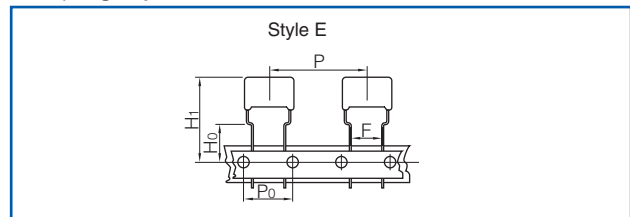


Packaging specifications for bulk package

- Packing quantity : 100 pcs./bag

Taping specifications for automatic insertion

- Taping style



* Refer to the page of taping specifications.

- Taping style

Series	Rated voltage (V.DC)	Capacitance range (μF)	Taping style						Packing	suffix
			AD	AS	B	C	D	E		
ECWH(A)	800	0.010 to 0.047						○	Ammo	RHA
	1600	0.0010 to 0.047						○		() 4

- Lead spacing

Style	Lead spacing
E	7.5 mm

Rating · Dimensions · Quantity

- Rated voltage : 800 V.DC, Capacitance tolerance : ±3 % (H)

Part No.	Cap. (μF)	Dimensions (mm)									Min. order Q'ty	
		L max.	T max.	H max.			F	S		φd	Taping	Bulk
				Straight	Crimped lead (Suffix B)	Crimped lead (Suffix Q)		Crimped lead (Suffix B)	Crimped lead (Suffix Q)		7.5 mm	Straight · Crimped lead
ECWH8103HA()	0.010	15.4	5.4	9.8	14.8	14.8	12.5	7.5	12.5	0.6	500	
ECWH8123HA()	0.012	15.4	5.8	10.2	15.2	15.2	12.5	7.5	12.5	0.6		
ECWH8153HA()	0.015	15.4	6.2	10.6	15.6	15.6	12.5	7.5	12.5	0.6		
ECWH8183HA()	0.018	15.7	6.6	11.0	16.0	18.0	12.5	7.5	12.5	0.8		
ECWH8223HA()	0.022	15.7	7.1	11.5	16.5	18.5	12.5	7.5	12.5	0.8		
ECWH8273HA()	0.027	15.7	7.6	12.0	17.0	19.0	12.5	7.5	12.5	0.8	400	500
ECWH8333HA()	0.033	15.7	8.4	12.8	17.8	19.8	12.5	7.5	12.5	0.8		
ECWH8393HA()	0.039	15.7	8.9	13.3	18.3	20.3	12.5	7.5	12.5	0.8		
ECWH8473HA()	0.047	15.7	9.7	14.1	19.1	21.1	12.5	7.5	12.5	0.8	300	

* H : Capacitance tolerance code
() : Suffix for lead crimped taped type

Rating · Dimensions · Quantity

● Rated voltage : 1600 V.DC, Capacitance tolerance : ±3 %(H), ±5 %(J)

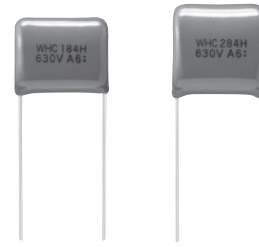
Part No.	Cap. (μF)	Dimensions (mm)									Min. order Q'ty		
		L max.	T max.	H max.			F	S		φd	Taping		Bulk
				Straight	Crimped lead (Suffix B)	Crimped lead (Suffix Q)		Crimped lead (Suffix B)	Crimped lead (Suffix Q)		7.5 mm	Straight	Crimped lead
ECWHA3C102□()	0.0010	17.8	5.2		13.0	13.0		10.0	15.0	0.6	600		
ECWHA3C112□()	0.0011	17.8	5.4		13.1	13.1		10.0	15.0	0.6			
ECWHA3C122□()	0.0012	17.8	5.5		13.2	13.2		10.0	15.0	0.6	500		
ECWHA3C132□()	0.0013	17.8	5.7		13.4	13.4		10.0	15.0	0.6			
ECWHA3C152□()	0.0015	17.8	5.9		13.7	13.7		10.0	15.0	0.6			
ECWHA3C162□()	0.0016	17.8	6.1		13.9	13.9		10.0	15.0	0.6			
ECWHA3C182□()	0.0018	17.8	6.4		14.1	14.1		10.0	15.0	0.6	400	-	
ECWHA3C202□()	0.0020	17.8	6.6		14.3	14.3		10.0	15.0	0.6			
ECWHA3C222□()	0.0022	17.8	6.7		14.5	14.5		10.0	15.0	0.6	600		
ECWHA3C242□()	0.0024	17.8	7.0		14.7	14.7		10.0	15.0	0.6			
ECWHA3C272□()	0.0027	17.8	5.2		13.0	13.0		10.0	15.0	0.6	500		
ECWHA3C302□()	0.0030	17.8	5.5		13.2	13.2		10.0	15.0	0.6			
ECWHA3C332□()	0.0033	17.8	5.6		13.4	13.4		10.0	15.0	0.6			
ECWHA3C362□()	0.0036	17.8	5.7		13.5	13.5		10.0	15.0	0.6			
ECWHA3C392□()	0.0039	17.8	6.0		13.8	13.8		10.0	15.0	0.6	400		
ECWHA3C432□()	0.0043	17.8	6.2		13.9	13.9		10.0	15.0	0.6			
ECWHA3C472□()	0.0047	17.8	6.4	9.1	14.1	14.1	15.0	10.0	15.0	0.6	500		
ECWHA3C512□()	0.0051	17.8	6.6	9.4	14.4	14.4	15.0	10.0	15.0	0.6			
ECWHA3C562□()	0.0056	17.8	6.8	9.6	14.6	14.6	15.0	10.0	15.0	0.6	400		
ECWHA3C622□()	0.0062	17.8	7.1	9.8	14.8	14.8	15.0	10.0	15.0	0.6			
ECWHA3C682□()	0.0068	17.8	6.1	12.1	17.1	17.1	15.0	10.0	15.0	0.6	500		
ECWHA3C752□()	0.0075	17.8	6.5	12.4	17.4	17.4	15.0	10.0	15.0	0.6			
ECWHA3C822□()	0.0082	17.8	6.8	12.7	17.7	17.7	15.0	10.0	15.0	0.6	400		
ECWHA3C912□()	0.0091	17.8	7.1	13.0	18.0	18.0	15.0	10.0	15.0	0.6			
ECWHA3C103□()	0.010	20.3	6.4	12.3	17.3	17.3	17.5	10.0	17.5	0.6	500		
ECWHA3C113□()	0.011	20.3	6.6	12.5	17.5	17.5	17.5	10.0	17.5	0.6			
ECWHA3C123□()	0.012	20.3	6.8	12.8	17.8	17.8	17.5	10.0	17.5	0.6	400		
ECWHA3C133□()	0.013	20.3	7.1	13.0	18.0	18.0	17.5	10.0	17.5	0.6			
ECWHA3C153□()	0.015	20.3	7.6	13.5	18.5	18.5	17.5	10.0	17.5	0.6			
ECWHA3C163□()	0.016	20.3	7.9	13.8	18.8	18.8	17.5	10.0	17.5	0.6			
ECWHA3C183□()	0.018	20.6	8.2	14.1	19.1	21.1	17.5	10.0	17.5	0.8	300		
ECWHA3C203□()	0.020	20.6	8.7	14.6	19.6	21.6	17.5	10.0	17.5	0.8			
ECWHA3C223□()	0.022	20.6	9.1	15.0	20.0	22.0	17.5	10.0	17.5	0.8			
ECWHA3C243□()	0.024	20.6	9.6	15.4	20.4	22.4	17.5	10.0	17.5	0.8			
ECWHA3C273□()	0.027	20.6	10.0	15.9	20.9	22.9	17.5	10.0	17.5	0.8	200	800	
ECWHA3C303□()	0.030	20.6	10.7	16.5	21.5	23.5	17.5	10.0	17.5	0.8			
ECWHA3C333□()	0.033	20.6	11.2	17.0	22.0	24.0	17.5	10.0	17.5	0.8			
ECWHA3C363□()	0.036	20.6	11.7	17.5	22.5	24.5	17.5	10.0	17.5	0.8			
ECWHA3C393□()	0.039	20.6	12.1	18.0	23.0	25.0	17.5	10.0	17.5	0.8	600		
ECWHA3C433□()	0.043	20.6	12.8	18.6	23.6	25.6	17.5	10.0	17.5	0.8			
ECWHA3C473□()	0.047	20.6	13.4	19.2	24.2	26.2	17.5	10.0	17.5	0.8			

* □ : Capacitance tolerance code
() : Suffix for lead crimped taped type

Metallized Polypropylene Film Capacitor

Series : **ECWH(C)**

Non-inductive construction using metallized polypropylene film with flame retardant epoxy resin coating



Features

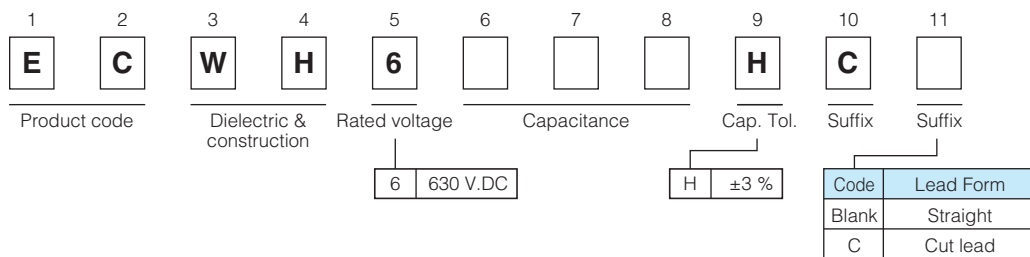
- Excellent electrical characteristics
- Low loss
- Flame-retardant epoxy resin coating
- RoHS directive compliant

Recommended applications

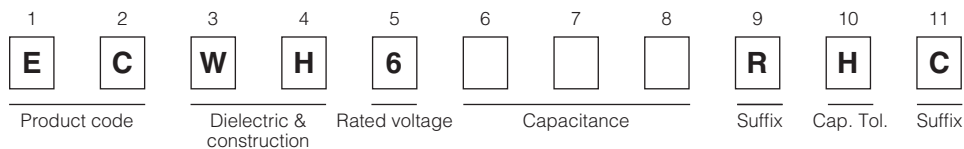
- General resonance circuit (630 V.DC, 1250 V.DC)
- Resonance circuit for microwave oven and IH cooker (630 V.DC, 1250 V.DC)
- General high voltage circuit (3000 V.DC)

Explanation of part number

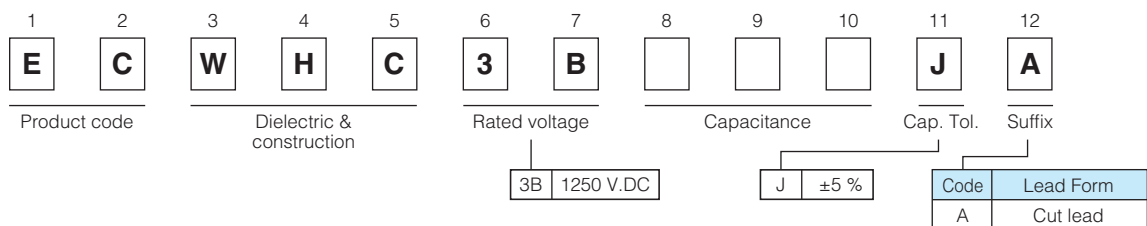
- Rated voltage 630 V.DC (Bulk)



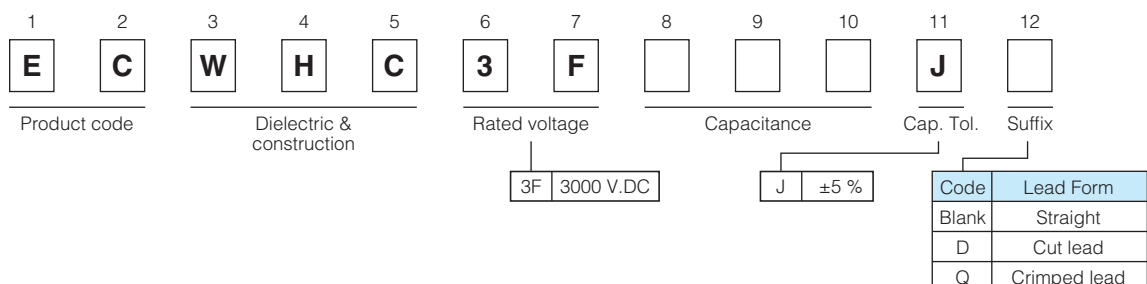
- Rated voltage 630 V.DC (Odd size taping)



- Rated voltage 1250 V.DC (Cut lead)



- Rated voltage 3000 V.DC (Bulk)

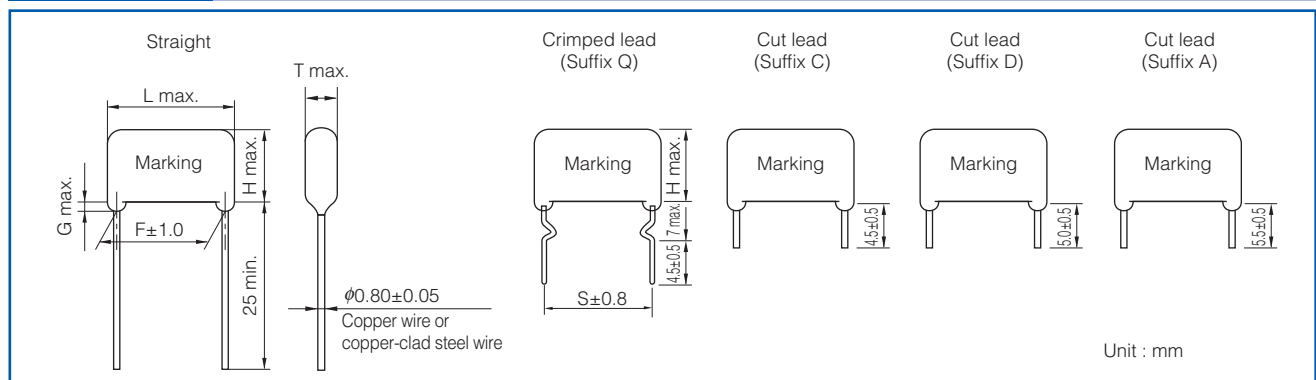


Specifications

Category temp. range (Including temperature-rise on unit surface)	630 V.DC	- 40 °C to +105 °C : General resonance circuit - 40 °C to +85 °C : When using compulsive air cooling for a resonance circuit
	1250 V.DC	- 40 °C to +105 °C : General resonance circuit - 40 °C to +85 °C : When using compulsive air cooling for a resonance circuit
	3000 V.DC	- 40 °C to +85 °C : General high voltage circuit
Rated voltage	630 VDC, 1250 VDC, 3000 VDC	
Capacitance range	630 V.DC	0.10 μF to 0.33 μF
	1250 V.DC	0.08 μF to 0.12 μF
	3000 V.DC	0.0024 μF to 0.01 μF
Capacitance tolerance	630 V.DC	±3 % (H)
	1250 V.DC	±5 % (J)
	3000 V.DC	±5 % (J)
Dissipation factor (tan δ)	630 V.DC	tan δ ≤ 0.05 % (20 °C, 1 kHz)
	1250 V.DC	tan δ ≤ 0.1 % (20 °C, 10 kHz)
	3000 V.DC	tan δ ≤ 0.1 % (20 °C, 1 kHz), tan δ ≤ 0.1 % (20 °C, 10 kHz)
Withstand voltage	630 V.DC	Between terminals : Rated volt. (V.DC)×150 %, 60 s Between terminals : 6615 V.DC, 3 s
	1250 V.DC	
	3000 V.DC	
Insulation resistance (IR)	630 V.DC	IR ≥ 9000 MΩ (20 °C, 500 V.DC, 60 s) IR ≥ 50000 MΩ (20 °C, 500 V.DC, 60 s)
	1250 V.DC	
	3000 V.DC	

* In case of applying voltage in alternating current (50 Hz or 60 Hz sine wave) to a capacitor with DC rated voltage, please refer to the page of "Permissible voltage (R.M.S) in alternating current corresponding to DC rated voltage".

Dimensions

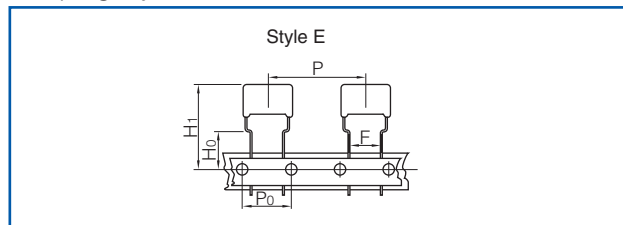


Packaging specifications for bulk package

- Packing quantity : 100 pcs./bag

Taping specifications for automatic insertion

- Taping style



* Refer to the page of taping specifications.

- Taping style

Series	Rated voltage (V.DC)	Capacitance range (μF)	Taping style					Packing	
			AD	AS	B	C	D		E
ECWH(C)	630	0.10 to 0.21						○	Ammo

* See the column "Rating · Dimensions · Quantity" for packing quantity

- Lead spacing

Style	Lead spacing
E	7.5 mm

Rating · Dimensions · Quantity

● Rated voltage : 630 V.DC, Capacitance tolerance : $\pm 3\%$ (H)

Part No.	Capacitance (μF)	Dimensions (mm)						Min. order Q'ty	
		L max.	T max.	H max.	F	G max.	ϕd	Taping	Bulk
								7.5 mm	Straight · Crimped lead
ECWH6104HC()	0.10	20.7	8.6	13.5	17.5	1.5	0.8	350	1000
ECWH6114HC()	0.11	20.7	9.0	13.9	17.5	1.5	0.8	300	
ECWH6124HC()	0.12	20.7	9.4	14.3	17.5	1.5	0.8	250	
ECWH6184HC()	0.18	20.7	11.5	16.3	17.5	1.5	0.8	200	
ECWH6214HC()	0.21	20.7	12.4	17.2	17.5	1.5	0.8		
ECWH6244HC()	0.24	20.7	13.2	18.1	17.5	1.5	0.8	-	700
ECWH6274HC()	0.27	20.7	14.0	18.9	17.5	1.5	0.8		
ECWH6284HC()	0.28	20.7	14.3	19.1	17.5	1.5	0.8		
ECWH6304HC()	0.30	20.7	14.8	19.6	17.5	1.5	0.8		
ECWH6324HC()	0.32	20.7	14.5	20.9	17.5	1.5	0.8		
ECWH6334HC()	0.33	20.7	14.7	21.1	17.5	1.5	0.8		

* () : Suffix for lead form

● Rated voltage : 1250 V.DC, Capacitance tolerance : $\pm 5\%$ (J)

Part No.	Capacitance (μF)	Dimensions (mm)						Min. order Q'ty	
		L max.	T max.	H max.	F	G max.	ϕd	Bulk	
								Straight · Crimped lead	
ECWHC3B803JA	0.08	20.7	12.0	19.0	17.5	1.5	0.8	700	
ECWHC3B104JA	0.10	20.7	13.5	20.6	17.5	1.5	0.8		
ECWHC3B114JA	0.11	20.7	14.2	21.3	17.5	1.5	0.8		
ECWHC3B124JA	0.12	20.7	14.9	21.9	17.5	1.5	0.8	600	

● Rated voltage : 3000 V.DC, Capacitance tolerance : $\pm 5\%$ (J)

Part No.	Capacitance (μF)	Dimensions (mm)							Min. order Q'ty	
		L max.	T max.	H max.	F	S	G max.	ϕd	Bulk	
						Crimped lead (Suffix Q)			Straight · Crimped lead	
ECWHC3F242J()	0.0024	25.8	6.1	10.9	22.5	23.0	1.5	0.8	1000	
ECWHC3F362J()	0.0036	25.8	7.2	11.9	22.5	23.0	1.5	0.8		
ECWHC3F392J()	0.0039	25.8	7.5	12.2	22.5	23.0	1.5	0.8		
ECWHC3F432J()	0.0043	25.8	6.5	11.2	22.5	23.0	1.5	0.8		
ECWHC3F562J()	0.0056	25.8	7.3	12.0	22.5	23.0	1.5	0.8		
ECWHC3F822J()	0.0082	25.8	7.5	15.3	22.5	23.0	1.5	0.8		
ECWHC3F103J()	0.01	25.8	8.2	16.1	22.5	23.0	1.5	0.8		

* () : Suffix for lead form

Metalized Polypropylene Film Capacitors

Series : **TMF Series**
(for smoothing and resonance)



Features

- Wide voltage range up to 2300 V.AC
- High frequency and high current capability
- Low loss, Low ESR
- Long life time, High reliability
- Flame retardant
- RoHS directive compliant

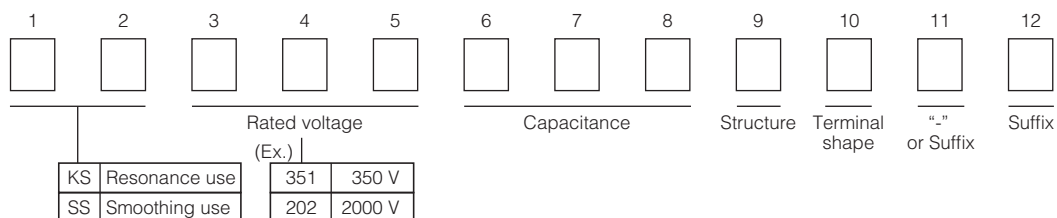
Recommended applications

- Smoothing and resonance circuit, IH equipment and Industrial power supply

Construction

- Dielectric : Polypropylene film
- Electrodes : Metallized plastic film
- Plastic case : UL94 V-0
- Sealing : UL94 V-0
- Terminal : Lead wire (tin plating), Plate terminal (tin plating)

Explanation of part number



Note) Definition of AC or DC, please refer to an individual drawing

Specifications

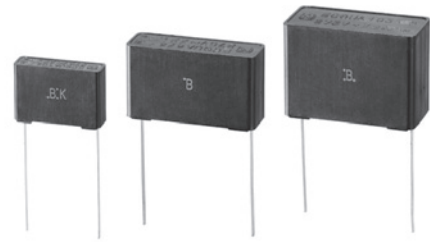
	Smoothing circuit		Resonance circuit	
Rated voltage *1	150 V.AC to 220 V.AC 350 V.DC to 630 V.DC		300 V.AC to 2300 V.AC 500 V.DC to 1200 V.DC	
Rated capacitance *1	150 V.AC to 220 V.AC	1 μF to 10 μF	300 V.AC to 2300 V.AC	0.01 μF to 4.0 μF
	350 V.DC to 630 V.DC	1 μF to 10 μF	500 V.DC to 1200 V.DC	0.01 μF to 4.0 μF
Capacitance tolerance	Please refer to an individual drawing			
Withstand voltage	Please refer to an individual drawing			
Insulation resistance	Please refer to an individual drawing			
Maximum permissible temperature (Case wall)	85 °C (Including self temperature rising)			

*1 These are typical values. Please contact if necessary other Voltage and Capacitance.

Metalized Polypropylene Film Capacitor

Series : **ECQUA [Class X2]**

In accordance with UL/CSA and European safety regulation class X2
Equipped with a safety mechanism



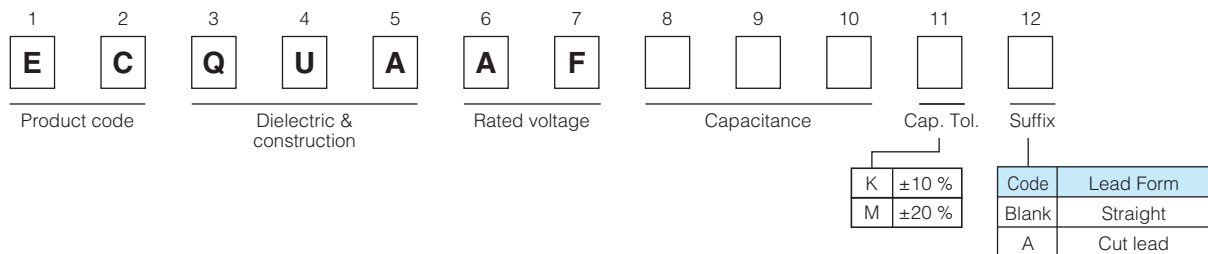
Features

- High humidity resistance
(THB test : 85 °C/85 %/240 V.AC/1000 h ($C \leq 1.0 \mu\text{F}$))
- High safety (safety function installed)
- Compact
- Flame-retardant plastic case and non-combustible resin
- RoHS directive compliant

Recommended applications

- Interference suppressors

Explanation of part number



Applicable standard

* It is certified as type ECQUA in the following approval.

Approval		Class	Certification organization
UL	UL60384-14	Class X2	UL
CSA	CAN/CSA E60384-14	Class X2	
Europe	EN60384-14	Class X2	VDE
International	IEC60384-14	Class X2	

* When applying this capacitor to European and American safety standards, please use type designation and rating such as ECQUA, 0.1 μF .

* Approval number (File No.) of safety regulations are subject to revision without notice. Ask factory for a copy of the latest file No.

Specifications

Category temperature range	-40 °C to +110 °C
Rated voltage	275 V.AC
Rated capacitance	0.10 μF to 4.7 μF
Capacitance tolerance	±10 % (K), ±20 % (M)
Dissipation factor ($\tan \delta$)	$C \leq 1.0 \mu\text{F}$: $\tan \delta \leq 0.1 \%$ (20 °C, 1 kHz) $C > 1.0 \mu\text{F}$: $\tan \delta \leq 0.2 \%$ (20 °C, 1 kHz)
Withstand voltage	Between terminals : 633 V.AC, 1183 V.DC, 60 s Between terminals to enclosure : 2050 V.AC, 60 s
Insulation resistance (IR)	$C \leq 0.33 \mu\text{F}$: $\text{IR} \geq 15000 \text{ M}\Omega$ (20 °C, 100 V.DC, 60 s) $C > 0.33 \mu\text{F}$: $\text{IR} \geq 5000 \text{ M}\Omega \cdot \mu\text{F}$ (20 °C, 100 V.DC, 60 s) $C \leq 0.47 \mu\text{F}$: $\text{IR} \geq 2000 \text{ M}\Omega$ (20 °C, 500 V.DC, 60 s)
Maximum AC voltage *	310 V.AC

* Use of this capacitor is limited to AC voltage (50 Hz or 60 Hz sine wave).

* A faint corona discharge may occur inside of the capacitor element at rated voltage, however there is no influence on the reliability of the capacitor. (Suitable for series to the mains usage - for more details, please contact your Panasonic contact person.)

* Maximum AC voltage including line voltage fluctuation is 310 V.AC.

310 V.AC is not nominal continuous applied voltage, but only indicates maximum value including in the voltage of the power supply. Basic nominal voltage is considered as 240 V.AC.

This maximum AC voltage is specified in only ECQUA type, not specified in other types.

Please refer to individual product specification, and contact us for further questions regarding design life.

Design and specifications are each subject to change without notice. Ask factory for the current technical specifications before purchase and/or use.

Should a safety concern arise regarding this product, please be sure to contact us immediately.

Dimensions

Marking Example

(A) side	(B) or (C) side

Note : Only $\pm 10\%$ as cap. tol. be marked as "K".

Note : Date code.

Unit : mm

Rating · Dimensions · Quantity

- Capacitance tolerance : $\pm 10\%$ (K), $\pm 20\%$ (M)

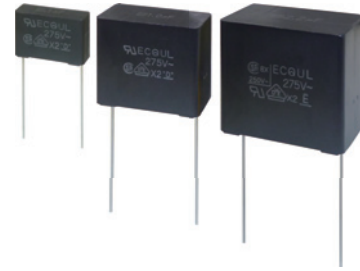
Part No.	Cap. (μF)	Dimensions (mm)							Min. order Q'ty	
		L	T	H	F	ϕd	P	Q	Straight	Cut lead
ECQUAAF104□()	0.10	17.5	5.0	12.0	15.0	0.6	0 \pm 0.8	1.3	1000	1000
ECQUAAF154□()	0.15	17.5	6.0	13.0	15.0	0.6	0 \pm 0.8	1.3		
ECQUAAF224□()	0.22	17.5	7.5	14.0	15.0	0.6	0 \pm 0.8	1.3		
ECQUAAF334□()	0.33	17.5	9.0	16.0	15.0	0.6	0 \pm 0.8	1.3	600	800
ECQUAAF474□()	0.47	26.0	8.5	15.0	22.5	0.8	0 \pm 0.8	1.8		
ECQUAAF684□()	0.68	26.0	10.0	17.0	22.5	0.8	0 \pm 0.8	1.8	500	500
ECQUAAF105□()	1.0	26.0	12.0	19.0	22.5	0.8	0 \pm 0.8	1.8	300	300
ECQUAAF155□()	1.5	31.0	12.0	22.0	27.5	0.8	0 \pm 0.8	1.8	200	200
ECQUAAF225□()	2.2	31.0	14.5	24.5	27.5	0.8	0 \pm 0.8	1.8		
ECQUAAF335□()	3.3	31.0	19.0	29.0	27.5	0.8	0 \pm 0.8	1.8	150	150
ECQUAAF475□()	4.7	31.0	23.0	33.0	27.5	0.8	0 \pm 0.8	1.8	100	100

* □ : Capacitance tolerance code
 () : Suffix for lead form

Metallized Polyester Film Capacitor

Series : **ECQUL** [Class X2]
[Class Y2/X2]

In accordance with UL/CSA and European safety regulation class X2 or class Y2/X2



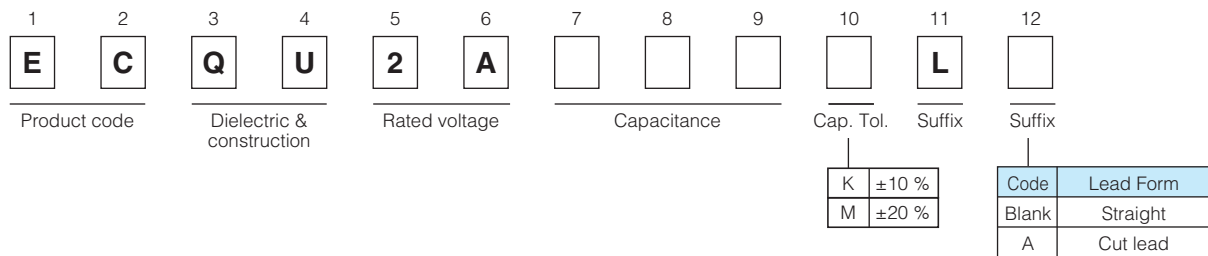
Features

- Compact
- Flame-retardant plastic case and non-combustible resin
- RoHS directive compliant

Recommended applications

- Interference suppressors

Explanation of part number



Applicable standard

* It is certified as type ECQUL in the following approval.

Approval		Class	Capacitance range	Certification organization
UL	UL60384-14	Class Y2/X2	(0.0010 μF to 0.0068 μF)	UL
		Class X2	(0.0082 μF to 2.2 μF)	
CSA	CAN/CSA E60384-14	Class Y2/X2	(0.0010 μF to 0.0068 μF)	CSA
		Class X2	(0.0082 μF to 2.2 μF)	
	CSA C22.2 No.8-M1986	Electromagnetic Interference (EMI) Filters	(1.2 μF to 2.2 μF)	
Europe	EN60384-14	Class Y2/X2	(0.0010 μF to 0.0068 μF)	VDE
		Class X2	(0.0082 μF to 2.2 μF)	
International	IEC60384-14	Class Y2/X2	(0.0010 μF to 0.0068 μF)	VDE
		Class X2	(0.0082 μF to 2.2 μF)	

* When applying this capacitor to European and American safety standards, please use type designation and rating such as ECQUL, 0.1 μF.

* Approval number (File No.) of safety regulations are subject to revision without notice. Ask factory for a copy of the latest file No.

* This capacitor is recognized for European standards by VDE only. But, there are no problems using this capacitor in a device which will get approvals from certification bodies in Europe, SEMKO, DEMKO, NEMKO, FIMKO and SEV etc.

Specifications

Category temperature range	-40 °C to +100 °C (85 °C max. on CSA C22.2 No.8 spec.)
Rated voltage	275 V.AC (250 V.AC on CSA C22.2 No.8 spec.)
Rated capacitance	0.0010 μF to 2.2 μF
Capacitance tolerance	±10 % (K), ±20 % (M)
Dissipation factor (tan δ)	tan δ ≤ 1.0 % (20 °C, 1 kHz)
Withstand voltage	Between terminals : 575 V.AC, 1768 V.DC, 60 s (0.0082 μF to 2.2 μF) Between terminals : 1500 V.AC, 2121 V.DC, 60 s (0.0010 μF to 0.0068 μF) Between terminals to enclosure : 2050 V.AC, 60 s
Insulation resistance (IR)	C ≤ 0.33 μF : IR ≥ 15000 MΩ (20 °C, 100 V.DC, 60 s) C > 0.33 μF : IR ≥ 5000 MΩ · μF (20 °C, 100 V.DC, 60 s) IR ≥ 2000 MΩ (20 °C, 500 V.DC, 60 s)

* Use of this capacitor is limited to AC voltage (50 Hz or 60 Hz sine wave).

Dimensions

STYLE	(A) side	(B) side
1 0.0010 μ F to 0.0068 μ F	M .001 μ F K	ECQUL 275V~ X2/Y2
2 0.0082 μ F to 1.0 μ F	M .0082 μ F K	ECQUL 275V~ X2
3 1.2 μ F to 2.2 μ F	M 1.5 μ F K	250V~ ECQUL 275V~ X2

Note : Only $\pm 10\%$ as cap. tol. be marked as "K".

Note : Date code.

Unit : mm

* $\geq 1.2 \mu\text{F} \pm 1.0$

Rating · Dimensions · Quantity

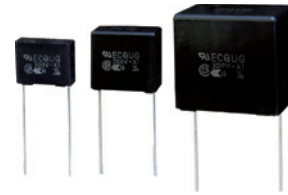
- Capacitance tolerance : $\pm 10\%$ (K), $\pm 20\%$ (M)

Part No.	Capacitance (μ F)	Dimensions (mm)							Min. order Q'ty	
		L	T	H	F	ϕd	P	Q	Straight	Cut lead
ECQU2A102□L ()	0.0010	15.0	5.0	11.5	12.5	0.6	0 \pm 0.50	1.3	500	500
ECQU2A122□L ()	0.0012	15.0	5.0	11.5	12.5	0.6	0 \pm 0.50	1.3		
ECQU2A152□L ()	0.0015	15.0	5.0	11.5	12.5	0.6	0 \pm 0.50	1.3		
ECQU2A182□L ()	0.0018	15.0	5.0	11.5	12.5	0.6	0 \pm 0.50	1.3		
ECQU2A222□L ()	0.0022	15.0	5.0	11.5	12.5	0.6	0 \pm 0.50	1.3		
ECQU2A272□L ()	0.0027	15.0	5.0	11.5	12.5	0.6	0 \pm 0.50	1.3		
ECQU2A332□L ()	0.0033	15.0	5.0	11.5	12.5	0.6	0 \pm 0.50	1.3		
ECQU2A392□L ()	0.0039	15.0	5.0	11.5	12.5	0.6	0 \pm 0.50	1.3		
ECQU2A472□L ()	0.0047	15.0	5.0	11.5	12.5	0.6	0 \pm 0.50	1.3		
ECQU2A562□L ()	0.0056	15.0	5.0	11.5	12.5	0.6	0 \pm 0.50	1.3		
ECQU2A682□L ()	0.0068	15.0	5.0	11.5	12.5	0.6	0 \pm 0.50	1.3		
ECQU2A822□L ()	0.0082	15.0	5.0	11.5	12.5	0.6	0 \pm 0.50	1.3		
ECQU2A103□L ()	0.010	15.0	5.0	11.5	12.5	0.6	0 \pm 0.50	1.3		
ECQU2A123□L ()	0.012	15.0	5.0	11.5	12.5	0.6	0 \pm 0.50	1.3		
ECQU2A153□L ()	0.015	15.0	5.0	11.5	12.5	0.6	0 \pm 0.50	1.3		
ECQU2A183□L ()	0.018	15.0	5.0	11.5	12.5	0.6	0 \pm 0.50	1.3		
ECQU2A223□L ()	0.022	15.0	5.0	11.5	12.5	0.6	0 \pm 0.50	1.3		
ECQU2A273□L ()	0.027	15.0	5.0	11.5	12.5	0.6	0 \pm 0.50	1.3		
ECQU2A333□L ()	0.033	15.0	6.0	13.0	12.5	0.6	0 \pm 0.50	1.3		
ECQU2A393□L ()	0.039	15.0	6.0	13.0	12.5	0.6	0 \pm 0.50	1.3		
ECQU2A473□L ()	0.047	15.0	6.0	13.0	12.5	0.6	0 \pm 0.50	1.3		
ECQU2A563□L ()	0.056	17.5	4.5	11.5	15.0	0.6	0 \pm 0.50	1.3		
ECQU2A683□L ()	0.068	17.5	4.5	11.5	15.0	0.6	0 \pm 0.50	1.3		
ECQU2A823□L ()	0.082	17.5	5.5	12.0	15.0	0.6	0 \pm 0.50	1.3		
ECQU2A104□L ()	0.10	17.5	5.5	12.0	15.0	0.6	0 \pm 0.50	1.3		
ECQU2A124□L ()	0.12	17.5	6.5	14.5	15.0	0.6	0 \pm 0.50	1.3		
ECQU2A154□L ()	0.15	17.5	6.5	14.5	15.0	0.6	0 \pm 0.50	1.3		
ECQU2A184□L ()	0.18	17.5	8.0	16.0	15.0	0.6	0 \pm 0.50	1.3		
ECQU2A224□L ()	0.22	17.5	8.0	16.0	15.0	0.6	0 \pm 0.50	1.3		
ECQU2A274□L ()	0.27	17.5	9.5	17.5	15.0	0.8	0 \pm 0.50	1.3		
ECQU2A334□L ()	0.33	17.5	9.5	17.5	15.0	0.8	0 \pm 0.50	1.3		
ECQU2A394□L ()	0.39	25.5	8.5	17.5	22.5	0.8	0 \pm 0.75	1.5		
ECQU2A474□L ()	0.47	25.5	8.5	17.5	22.5	0.8	0 \pm 0.75	1.5		
ECQU2A564□L ()	0.56	25.5	10.5	19.5	22.5	0.8	0 \pm 0.75	1.5		
ECQU2A684□L ()	0.68	25.5	10.5	19.5	22.5	0.8	0 \pm 0.75	1.5		
ECQU2A824□L ()	0.82	25.5	12.0	22.0	22.5	0.8	0 \pm 0.75	1.5		
ECQU2A105□L ()	1.0	25.5	12.0	22.0	22.5	0.8	0 \pm 0.75	1.5		
ECQU2A125□L ()	1.2	30.5	16.5	26.0	27.5	0.8	0 \pm 0.75	1.5		
ECQU2A155□L ()	1.5	30.5	16.5	26.0	27.5	0.8	0 \pm 0.75	1.5		
ECQU2A185□L ()	1.8	30.5	19.0	29.5	27.5	0.8	0 \pm 0.75	1.5		
ECQU2A225□L ()	2.2	30.5	19.0	29.5	27.5	0.8	0 \pm 0.75	1.5		

* □ : Capacitance tolerance code
() : Suffix for lead form

Metallized Polyester Film Capacitor

Series : **ECQUG [Class X1]**



In accordance with UL/CSA and European safety regulation class X1

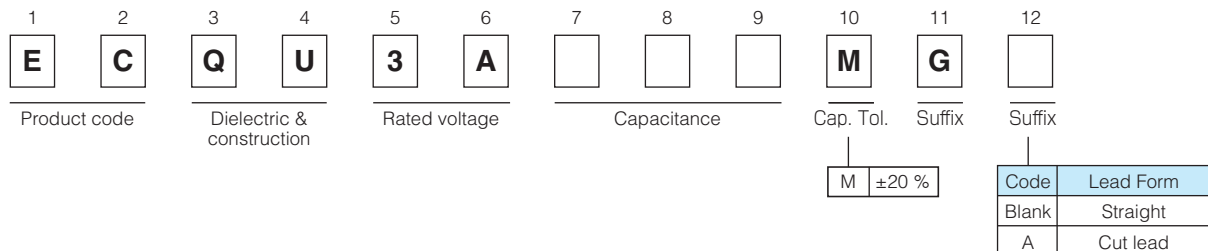
Features

- Equipped with a safety mechanism
- Flame-retardant plastic case and non combustible resin
- RoHS directive compliant

Recommended applications

- Interference suppressors

Explanation of part number



Applicable standard

* It is certified as type ECQUG in the following approval.

Approval		Class	Certification organization
UL	UL60384-14	Class X1	UL
CSA	CAN/CSA E60384-14	Class X1	CSA
Europe	EN60384-14	Class X1	VDE
International	IEC60384-14	Class X1	

* When applying this capacitor to European and American safety standards, please use type designation and rating such as ECQUG, 0.1 μ F.

* Approval number (File No.) of safety regulations are subject to revision without notice. Ask factory for a copy of the latest file No..

* European standards marking are ENEC (VDE). But, there are no problem using this capacitor in a device which will get approvals from certification bodies in Europe, NEMKO, FIMKO, SEMKO, DEMKO, and SEV etc.

Specifications

Category temperature range	-40 °C to +100 °C
Rated voltage	300 V.AC
Rated capacitance	0.010 μ F to 1.0 μ F (E6)
Capacitance tolerance	$\pm 20\%$ (M)
Dissipation factor ($\tan \delta$)	$\tan \delta \leq 1.0\%$ (20 °C, 1 kHz)
Withstand voltage	Between terminals : 575 V.AC, 1768 V.DC, 60 s Between terminals to enclosure : 2100 V.AC, 60 s
Insulation resistance (IR)	$C \leq 0.33 \mu F$: $IR \geq 15000 M\Omega$ (20 °C, 100 V.DC, 60 s) $C > 0.33 \mu F$: $IR \geq 5000 M\Omega \cdot \mu F$ (20 °C, 100 V.DC, 60 s) $IR \geq 2000 M\Omega$ (20 °C, 500 V.DC, 60 s)

* Use of this capacitor is limited to AC voltage (50 Hz or 60 Hz sine wave).

Dimensions

Technical drawings showing dimensions: $L \pm 0.5$, $T \pm 0.5$, $H \pm 0.5$, $F \pm 0.4$, 20 min. , $\phi d \pm 0.05$, 4.0 ± 0.5 , $Q \begin{smallmatrix} +1.4 \\ -0.6 \end{smallmatrix}$, P (Lead location limits from center). Labels include "Cut lead (Suffix A)", "Copper-clad steel wire", and "Unit : mm".

Marking example table:

(A) side	(B) side
$\text{M} .01 \mu\text{F}$	 ECQUG 300V~X1

Note : Date code.

Rating · Dimensions · Quantity

- Capacitance tolerance : $\pm 20 \%$ (M)

Part No.	Capacitance (μF)	Dimensions (mm)							Min. order Q'ty	
		L	T	H	F	ϕd	P	Q	Straight	Cut lead
ECQU3A103MG()	0.010	15.0	5.0	11.5	12.5	0.6	0 ± 0.50	1.3	500	500
ECQU3A153MG()	0.015	15.0	5.0	11.5	12.5	0.6	0 ± 0.50	1.3		
ECQU3A223MG()	0.022	15.0	5.0	11.5	12.5	0.6	0 ± 0.50	1.3		
ECQU3A333MG()	0.033	15.0	6.0	13.0	12.5	0.6	0 ± 0.50	1.3		
ECQU3A473MG()	0.047	15.0	6.0	13.0	12.5	0.6	0 ± 0.50	1.3		
ECQU3A683MG()	0.068	15.0	8.0	15.0	12.5	0.6	0 ± 0.50	1.3		
ECQU3A104MG()	0.10	15.0	8.0	15.0	12.5	0.6	0 ± 0.50	1.3		
ECQU3A154MG()	0.15	18.0	8.0	16.5	15.0	0.8	0 ± 0.50	1.3		
ECQU3A224MG()	0.22	18.0	9.0	17.5	15.0	0.8	0 ± 0.50	1.3		
ECQU3A334MG()	0.33	26.0	9.0	18.5	22.5	0.8	0 ± 0.50	1.5		
ECQU3A474MG()	0.47	26.0	10.5	20.0	22.5	0.8	0 ± 0.75	1.5	300	400
ECQU3A684MG()	0.68	26.0	12.5	22.0	22.5	0.8	0 ± 0.75	1.5		300
ECQU3A105MG()	1.0	27.0	16.5	25.5	22.5	0.8	0 ± 0.75	2.2		300

* () : Suffix for lead form

Film Capacitor for AC Motor

Series : **AMF Series**



Features

- High safety (Safety function installed)
- High reliability
- Small size, lightness, and low loss
- RoHS directive compliant

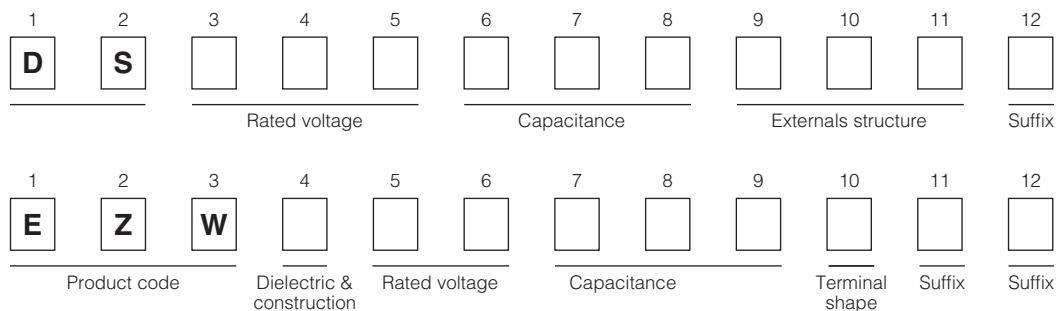
Recommended applications

- Motor and compressor (for running)

Construction

- Internal electrode : Metallized plastic film (Safety function installed)
- Plastic case : UL94 V-0
- Sealing : UL94 V-0
- Terminal : Faston terminal (tin plating)

Explanation of part number



Applicable standard

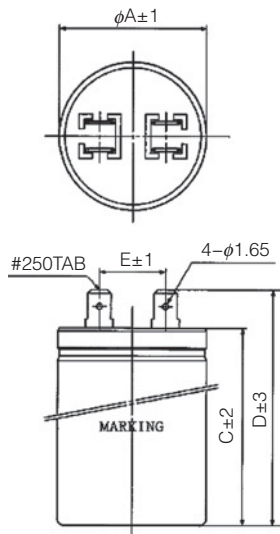
Japan	JIS C 4908 Capacitors for electrical apparatus CMJ registration parts. Registration No.1475- C9902-026(JET)
UL/cUL	UL810/CSA C22.2 No. 190 FILE No. E76560

Specifications

Applicable standard *1		JIS UL
Safety class		Safety function installed P2 (CMJ approval), 10000 AFC (UL)
Rated voltage (50/60 Hz) *2		180 V.AC to 440 V.AC
Rated capacitance *2		10 μF to 40 μF
Capacitance tolerance		-5 %/+10 % (Refer to the individual drawing)
Withstand voltage	Between terminals	Rated voltage × 1.75, 60 s (min. 2000 V.AC)
	Between terminals to enclosure	Rated voltage × 2.0+1000 (V.AC), 60 s
Maximum permissible temperature (Case wall)		70 °C (Including self temperature rising)

*1 The range of approval is different depending on each approval.
*2 These are typical values.

Dimension (Example)^{*3}



Unit : mm

*3 Other shape and specific requirement can be designed. Please contact, if necessary.

Rating · Dimensions^{*4}

Rated voltage (V.AC)	Capacitance (μ F)	Dimensions (mm)				
		A	B	C	D	E
440	10.0	40.0	60.0	70.5	18.0	16.0
	10.5 to 18.5	40.0	90.0	100.5	18.0	16.0
	19.0 to 27.5	40.0	120.0	130.5	18.0	16.0
	16.0 to 21.0	45.0	80.0	90.5	18.0	16.0
	21.5 to 25.0	45.0	90.0	100.5	18.0	16.0
	25.5 to 28.5	45.0	100.0	110.5	18.0	16.0
	29.0 to 36.5	45.0	120.0	130.5	18.0	18.0
	31.0 to 37.0	50.0	100.0	100.5	18.0	18.0
37.5 to 40.0	50.0	120.0	130.5	18.0	18.0	

*4 Please contact if necessary other Voltage and Capacitance.

Film Capacitor for AC Motor

Series : **DMF Series**



Features

- High safety (with built-in safety device)
- High reliability, Safety standard approval
- Small size, lightness, and low loss
- RoHS directive compliant

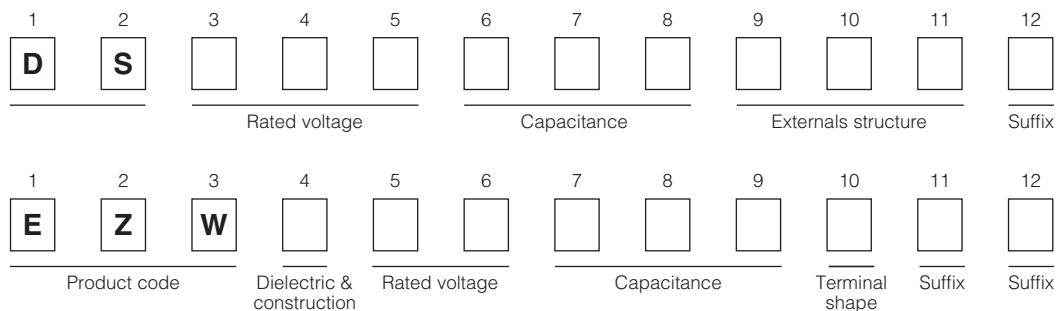
Recommended applications

- Motor and compressor (for running)

Construction

- Internal electrode : Metallized plastic film
- Exterior material : Metal case (oil sealing up type)
- Terminal : Faston terminal (tin plating)

Explanation of part number



Applicable standard

Japan	JIS C 4908 Capacitors for electrical apparatus CMJ registration parts. Registration No.1475- C9902-026(JET)
UL/cUL	UL810/CSA C22.2 No. 190 FILE No. E76560
Europe	EN60252-1 AC motor Capacitors TUV
China	GB/T 3667.1 AC motor Capacitors CQC

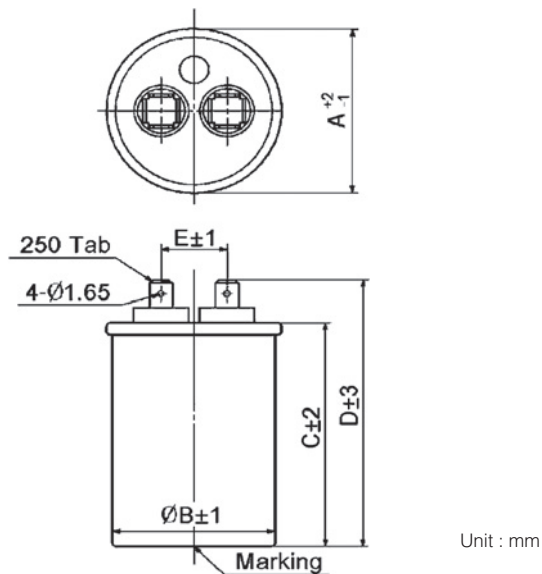
Specifications

Applicable standard *1		JIS UL	EN GB
Safety class		With built-in safety device P1(CMJ approval) 10000 AFC (UL)	S2
Rated voltage (50/60 Hz) *2		180 V.AC to 450 V.AC	EN GB : 440 V.AC, 450 V.AC
Rated capacitance *2		10 µF to 60 µF	
Capacitance tolerance		-5 %/+10 %, ±5 % (Refer to the individual drawing)	
Withstand voltage	Between terminals	Rated voltage × 1.75, 60 s	Rated voltage × 2.0, 60 s
	Between terminals to enclosure	(min. 2000 V.AC) Rated voltage × 2.0+1000 (V.AC), 60 s	
Maximum permissible temperature (Case wall)		70 °C (Including self temperature rising)	

*1 The range of approval is different depending on each approval.

*2 These are typical values.

Dimension (Example)^{*3}



Unit : mm

*3 Other shape and specific requirement can be designed. Please contact, if necessary.
Three tabs and as many as four tabs are also possible though standards of the number of terminal tabs are two tabs.

Rating · Dimensions^{*4}

Rated voltage (V.AC)	Capacitance (µF)	Dimensions (mm)				
		A	B	C	D	E
370 to 440	5.0 to 10.0	43.0	41.0	70.0	83.0	16.0
	11.0 to 15.0	43.0	41.0	80.0	93.0	16.0
	16.0 to 20.0	43.0	41.0	90.0	103.0	16.0
	21.0 to 25.0	43.0	41.0	100.0	113.0	16.0
	26.0 to 30.0	43.0	41.0	110.0	123.0	16.0
	31.0 to 35.0	43.0	41.0	130.0	143.0	16.0
	36.0 to 40.0	48.0	45.0	110.0	123.0	18.0
	41.0 to 50.0	48.0	45.0	130.0	143.0	18.0
	51.0 to 55.0	53.0	50.5	110.0	123.0	18.0
	56.0 to 60.0	63.0	60.5	90.0	103.0	20.0
	61.0 to 65.0	63.0	60.5	100.0	113.0	20.0

Rated voltage (V.AC)	Capacitance (µF)	Dimensions (mm)				
		A	B	C	D	E
450	5.0 to 10.0	43.0	41.0	70.0	83.0	16.0
	11.0 to 15.0	43.0	41.0	90.0	103.0	16.0
	16.0 to 20.0	43.0	41.0	110.0	123.0	16.0
	21.0 to 25.0	48.0	45.0	100.0	113.0	18.0
	26.0 to 30.0	48.0	45.0	110.0	123.0	18.0
	31.0 to 35.0	53.0	50.5	100.0	113.0	18.0
	36.0 to 40.0	53.0	50.5	110.0	123.0	18.0
	41.0 to 50.0	63.0	60.5	100.0	113.0	20.0
	51.0 to 55.0	63.0	60.5	110.0	123.0	20.0
	56.0 to 60.0	63.0	60.5	130.0	143.0	20.0

*4 Please contact if necessary other Voltage and Capacitance.

Film Capacitor for AC Motor

Series : **PMF**



Features

- High safety (safety function installed)
- High reliability, safety standard approval
- Small size, lightness, and low loss
- RoHS directive compliant

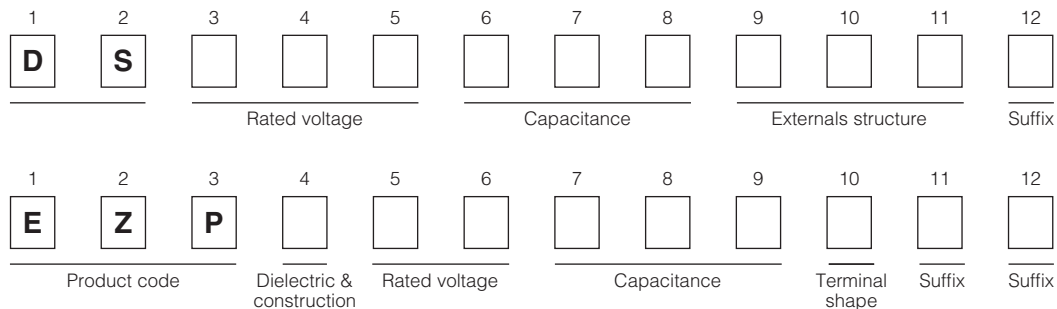
Recommended applications

- Motor and small compressor (for running)

Construction

- Internal electrode : Metallized plastic film (safety function installed)
- Plastic case : UL94 V-0
- Sealing : UL94 V-0
- Terminal : Faston terminal (tin plating), Lead wire (tin plating), Insulated wire

Explanation of part number



Applicable standard

Japan	JIS C 4908 Capacitors for electrical apparatus CMJ registration parts. Registration No.1475- C9902-026(JET)
UL/cUL CSA	UL810 FILE No. E76560 CSA C22.2 No. 190
Europe	EN60252-1 AC motor Capacitors TUV
China	GB/T 3667.1 AC motor Capacitors CQC

Specifications

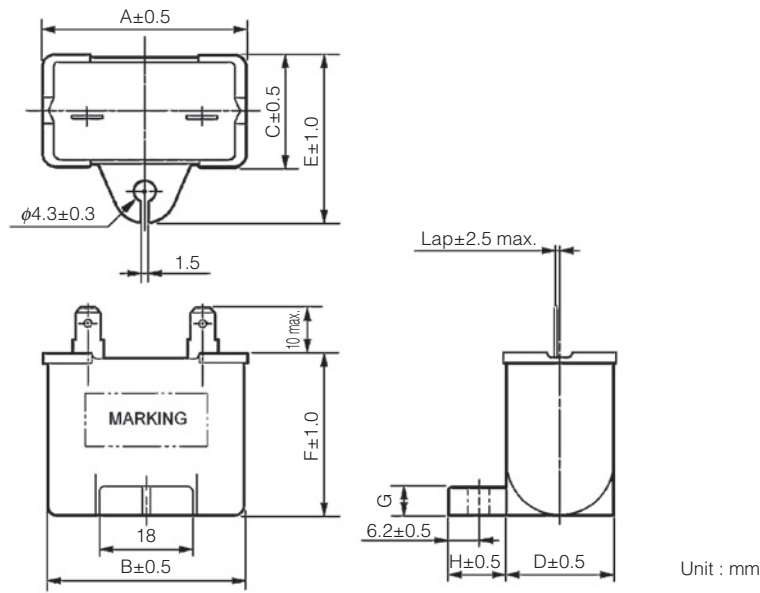
Applicable standard *1	JIS UL	EN GB
Safety class	With built-in safety function P2 (CMJ approval) 10000 AFC (UL)	S3
Rated voltage (50/60 Hz) *2	150 V.AC to 500 V.AC (For UL Approved P/N : up to 480 V.AC)	EN/TUV : 450 V.AC GB : 250 V.AC, 450 V.AC
Rated capacitance *2	0.5 μF to 65 μF	
Capacitance tolerance	-5 %/+10 %, ±5 % (Refer to the individual drawing)	
Withstand voltage	Between terminals	Rated voltage × 1.75, 60 s
	Between terminals to enclosure	Rated voltage × 2.0, 60 s (min. 2000 V) Rated voltage × 2.0+1000 (V), 60 s
Maximum permissible temperature (Case wall)	70 °C (Including self temperature rising)	

*1 The range of approval is different depending on each approval.

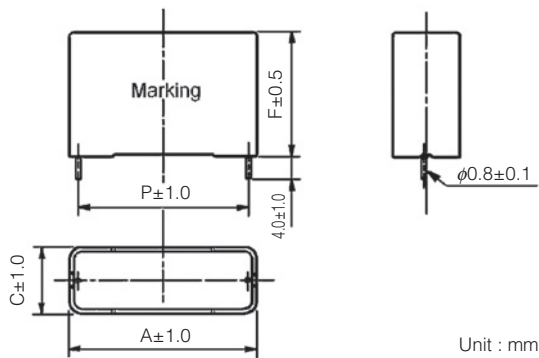
*2 These are typical values.

Dimension (Example)^{*3}

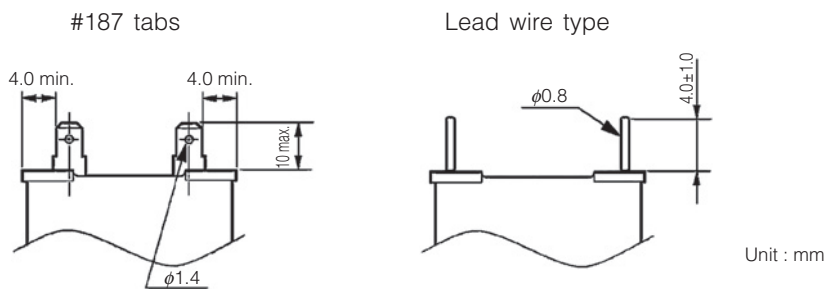
- Q series (Mounting type) * Non Mounting type is available. (P series).



- T series (Printed circuit board (PCB))



- Terminal shape (Standard)



^{*3} Other shape and specific requirement can be designed. Please contact, if necessary.

Rating · Dimensions*4

● Q series (Mounting type)

Rated voltage (V.AC)	Capacitance (μ F)	Dimensions (mm)								Case series
		A	B	C	D	E	F	G	H	
250	3.0 to 4.5	39.5	38.5	16.2	14.8	27.0	27.0	4.0	11.5	Q
	5.0 to 6.0	39.5	38.2	18.3	16.8	29.0	29.0			
	6.5 to 9.5	39.5	38.2	22.0	20.8	32.5	32.5			
	10.0 to 16.0	49.7	48.3	24.0	22.5	34.5	34.5			
	16.5 to 20.0	50.0	48.5	26.7	25.3	37.5	38.0			
	20.5 to 25.0	50.0	48.5	30.5	28.8	41.0	41.5			
	25.5 to 34.5	50.0	48.5	34.0	32.6	45.0	45.0	6.0		
450	1.0 to 1.4	39.5	38.5	16.2	14.8	27.0	27.0	4.0	11.5	
	1.5 to 1.8	39.5	38.2	18.3	16.8	29.0	29.0			
	1.9 to 2.5	39.5	38.2	22.0	20.8	32.5	32.5			
	3.0 to 5.0	49.7	48.3	24.0	22.5	34.5	34.5			
	5.5 to 6.5	50.0	48.5	26.7	25.3	37.5	38.0			
	7.0 to 8.0	50.0	48.5	30.5	28.8	41.0	41.5			
	8.5 to 10.5	50.0	48.5	34.0	32.6	45.0	45.0	6.0		

● T series (Printed circuit board (PCB))

Rated voltage (V.AC)	Capacitance (μ F)	Dimensions (mm)				Case series
		A	C	F	P	
250	3.0 to 4.0	38.5	14.0	25.5	36.0	T
	4.5 to 6.5	38.5	15.5	29.0	36.0	
	7.0 to 8.0	38.5	20.5	29.0	36.0	
	8.5 to 11.0	38.5	25.0	34.0	36.0	
	11.5 to 18.5	48.5	22.0	36.0	46.0	
450	1.0 to 1.3	38.5	14.0	25.5	36.0	
	1.4 to 2.0	38.5	15.5	29.0	36.0	
	2.1 to 2.5	38.5	20.5	29.0	36.0	
	3.0 to 3.5	38.5	25.0	34.0	36.0	
	4.0 to 5.5	48.5	22.0	36.0	46.0	

*4 Please contact if necessary other Voltage and Capacitance.

Film Capacitor for AC Motor

Series : **SMF**



Features

- High safety (safety function installed)
- High reliability, safety standard approval
- Small size, lightness, and low loss
- RoHS directive compliant

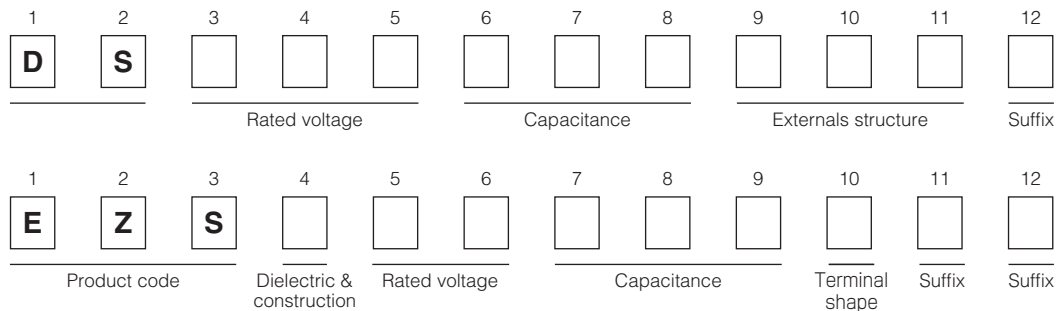
Recommended applications

- Motor and small compressor (for running)

Construction

- Internal electrode : Metallized plastic film (safety function installed)
- Plastic case : UL94 V-0
- Sealing : UL94 V-0
- Terminal : Faston terminal (tin plating), Lead wire (tin plating), Insulated wire

Explanation of part number



Applicable standard

Japan	JIS C 4908 Capacitors for electrical apparatus CMJ registration parts. Registration No.1475- C9902-026(JET)
UL/cUL	UL810 FILE No. E76560
Europe	EN60252-1 AC motor Capacitors VDE
China	GB/T 3667.1 AC motor Capacitors CQC

Specifications

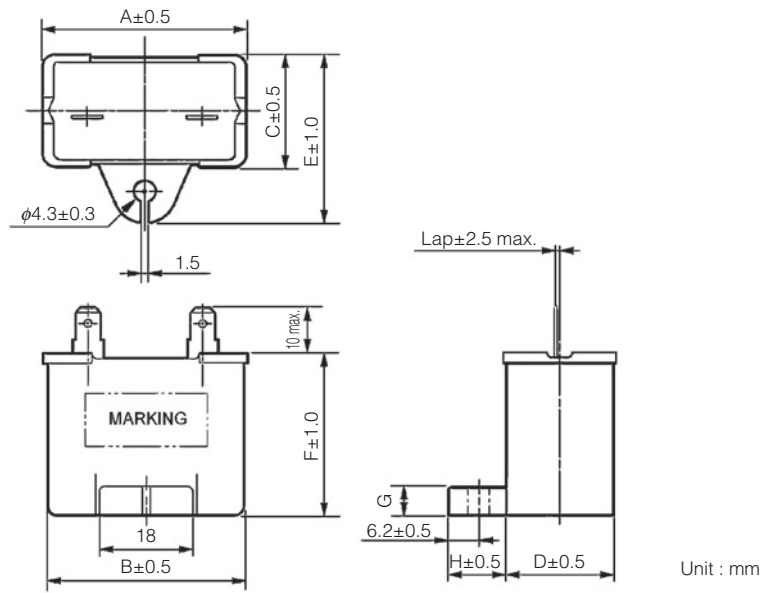
Applicable standard *1	JIS UL	EN GB
Safety class	With built-in safety function P2 (CMJ approval) 10000 AFC (UL)	S0
Rated voltage (50/60 Hz) *2	370 V.AC to 450 V.AC	400 V.AC, 450 V.AC
Rated capacitance *2	1.5 μF to 9 μF	
Capacitance tolerance	-5 %/+10 %, ±5 % (Refer to the individual drawing)	
Withstand voltage	Between terminals	Rated voltage × 1.75, 60 s
	Between terminals to enclosure	Rated voltage × 2.0, 60 s (min. 2000 V) Rated voltage × 2.0+1000 (V), 60 s
Maximum permissible temperature (Case wall)	70 °C (Including self temperature rising)	

*1 The range of approval is different depending on each approval.

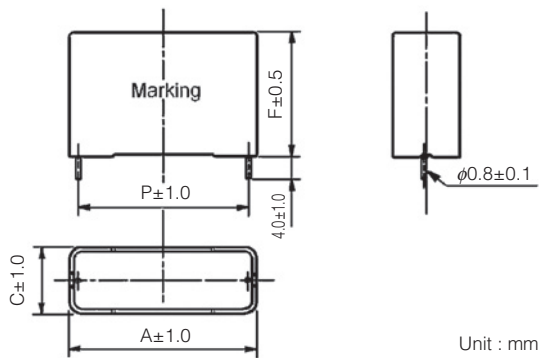
*2 These are typical values.

Dimension (Example) *3

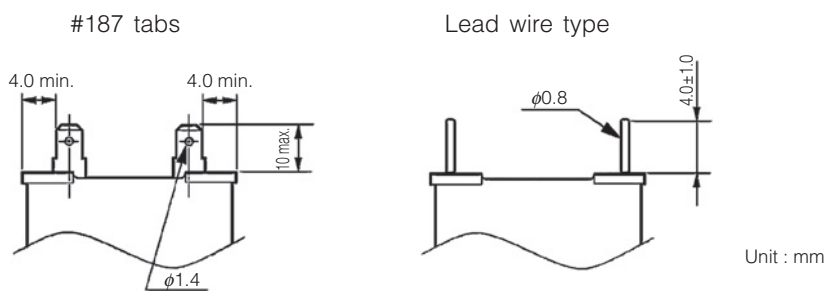
- SQ series (Mounting type) * Non Mounting type is available. (SP series).



- T series (Printed circuit board (PCB))



- Terminal shape (Standard)



*3 Other shape and specific requirement can be designed. Please contact, if necessary.

Rating · Dimensions*4

● SQ series (Installation leg type)

Rated voltage (V.AC)	Capacitance (μ F)	Dimensions (mm)								Case series
		A	B	C	D	E	F	G	H	
400	1.5 to 3.0	39.5	38.0	16.0	14.5	26.5	30.5	4.0	11.0	SQ
	3.5	39.5	38.0	17.5	16.0	28.0	30.5			
	4.0 to 5.0	39.5	38.0	22.0	20.5	32.5	30.5			
	5.5 to 6.5	39.5	38.0	26.7	25.2	37.0	32.0			
	7.0 to 8.0	39.5	38.0	26.7	25.2	37.0	37.0			
	8.5 to 9.0	39.5	38.0	26.7	25.2	37.0	41.0			
450	1.5 to 2.5	39.5	38.0	16.0	14.5	26.5	30.5	4.0	11.0	
	3.0	39.5	38.0	17.5	16.0	28.0	30.5			
	3.5 to 4.0	39.5	38.0	22.0	20.5	32.5	30.5			
	4.5 to 5.5	39.5	38.0	26.7	25.2	37.0	32.0			
	6.0 to 6.5	39.5	38.0	26.7	25.2	37.0	37.0			
	7.0 to 7.5	39.5	38.0	26.7	25.2	37.0	41.0			

● T series (Printed circuit board (PCB))

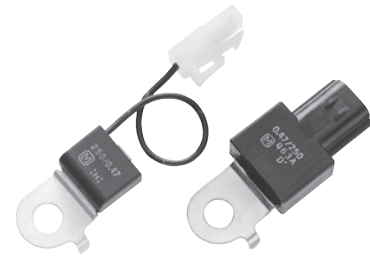
Rated voltage (V.AC)	Capacitance (μ F)	Dimensions (mm)				Case series
		A	C	F	P	
400	1.5 to 2.5	38.5	14.0	25.5	36.0	T
	3.0 to 3.5	38.5	15.5	29.0	36.0	
	4.0 to 5.0	38.5	20.5	29.0	36.0	
	5.5 to 7.5	38.5	25.0	34.0	36.0	
450	1.5 to 2.0	38.5	14.0	25.5	36.0	
	2.5 to 3.0	38.5	15.5	29.0	36.0	
	3.5 to 4.0	38.5	20.5	29.0	36.0	
	4.5 to 6.5	38.5	25.0	34.0	36.0	

*4 Please contact if necessary other Voltage and Capacitance.

Metalized Polyester Film Capacitor for Noise suppression of Automobile

Series : **ECQE**

Non-inductive construction using metallized polyester film with flame retardant epoxy resin



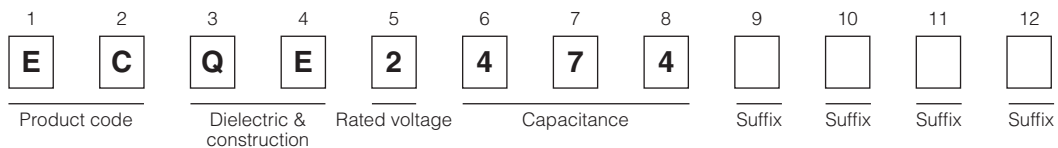
Features

- Excellent water-proof and corrosion-proof construction properties.
- Guaranteed operation temperature of 130 °C max
- Available with wide variety of terminals, including bracket and lead wire
- RoHS directive compliant

Recommended applications

- Noise suppression for automobile

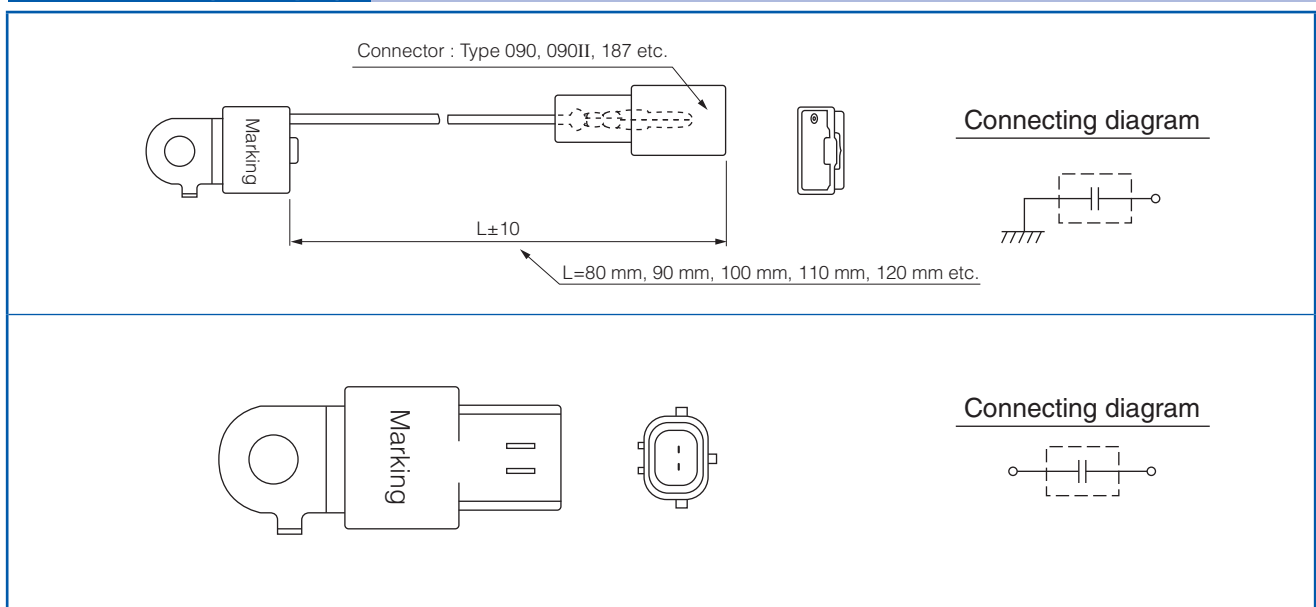
Explanation of part number



Applicable standard

Category temperature range (Including temperature-rise on unit surface)	-40 °C to +130 °C (Except cord, connector, tube and tape)
Rated voltage *	250 V.DC (Derating of rated voltage by 1.11 %/°C at more than 85 °C)
Rated capacitance *	0.47 μF, 2.2 μF, 4.7 μF
Capacitance tolerance	±20 % (M)
Dissipation factor (tan δ)	tan δ ≤ 1.0 % (20 °C, 1 kHz)
Withstand voltage	250 V.DC × 150 % for 60 s
Insulation resistance (IR)	IR ≥ 3000 MΩ · μF (20 °C, 100 V.DC, 60 s)

Dimensions (Example)



* Other voltage ratings, capacitance values and special dimensions are available upon request. Please consult engineering section.

Metallized Polypropylene Film Capacitor (For Automotive)

ECWFG series

UPGRADE



Non-inductive construction using metallized Polypropylene film with flame retardant plastic case.

Features

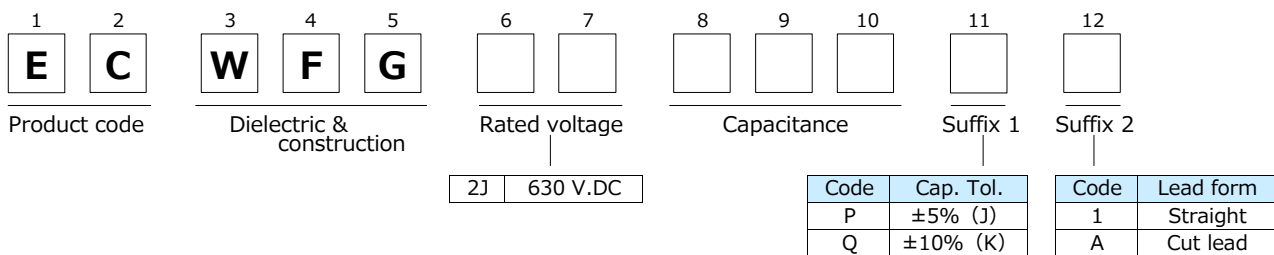
- High safety (with safety function)
- High moisture resistance (85°C, 85%)
 - 630 V.DC : 500 V.DC, 1000 h
 - 1100 V.DC : 700 V.DC, 500 h (C < 2.0 μF) / 770 V.DC, 500 h (C ≥ 2.0 μF)
- High thermal shock resistance (630, 1100 V.DC : -55°C ⇔ 85°C, 1000 cycles)
- High temperature load test (125°C)
 - 630 V.DC : 450 V.DC, 1000 h
 - 1100 V.DC : 660 V.DC, 1000 h
- Flame-retardant plastic case and non-combustible resin
- AEC-Q200 compliant
- RoHS compliant

Recommended applications

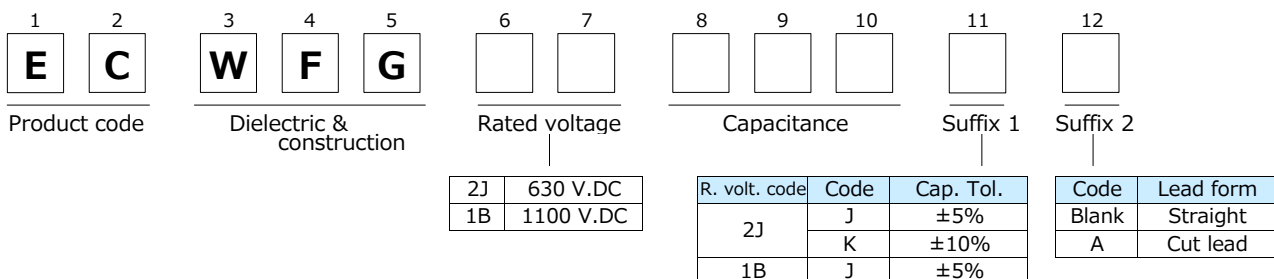
- DC/DC, AC/DC converter circuit in xEV
- High frequency and high current circuits

Explanation of part number

- Lead pitch : 22.5 mm



- Lead pitch : 27.5 mm

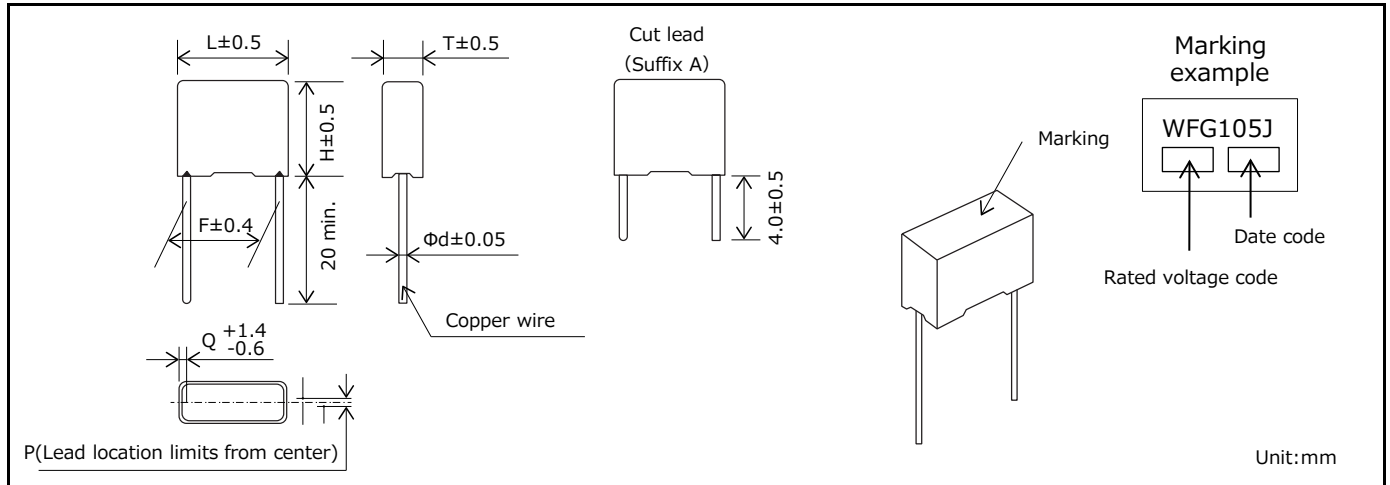


Specifications

Category temp. range (Including temperature-rise on unit surface)	-40 °C to +110 °C		
Rated voltage	630 V.DC, 1100 V.DC (Derating of rated voltage by 1.0 % / °C at more than 85 °C)		
Capacitance range	630 V.DC	Lead pitch : 22.5 mm	1.0 μF, 1.5 μF, 2.2 μF, 3.0 μF
		Lead pitch : 27.5 mm	1.0 μF, 1.5 μF, 2.2 μF, 3.0 μF, 4.7 μF
	1100 V.DC	Lead pitch : 27.5 mm	1.0 μF to 5.0 μF
Capacitance tolerance	±5% (J), ±10% (K)		
Dissipation factor (tan δ)	tan δ ≤ 0.1 % (20 °C, 1 kHz)		
Withstand voltage	Between terminals : Rated voltage (V.DC) × 150 % 60 s		
Insulation resistance (IR)	IR ≥ 3,000 MΩ·uF (20 °C, 500 V.DC, 60 s)		

* In case of applying voltage in alternating current (50 Hz or 60 Hz sine wave) to a capacitor with DC rated voltage, please refer to the page of "Permissible voltage (R.M.S) in alternating current corresponding to DC rated voltage".

Dimensions



Rating · Dimensions · Quantity

- Rated voltage : 630 V.DC, Capacitance tolerance : $\pm 5\%$ (J), $\pm 10\%$ (K)
[Lead pitch : 22.5 mm]

Part No	Cap. (μ F)	Dimensions (mm)							Min. order Q'ty	
		L	T	H	F	Φ d	P	Q	Straight	Cut lead
ECWFG2J105P()	1.0	27.0	10.5	19.0	22.5	1.0	0 \pm 0.8	2.25	400	350
ECWFG2J105Q()										
ECWFG2J155P()	1.5	27.0	12.0	21.0	22.5	1.0	0 \pm 0.8	2.25	300	300
ECWFG2J155Q()										
ECWFG2J225P()	2.2	27.0	15.5	24.0	22.5	1.0	0 \pm 0.8	2.25	200	250
ECWFG2J225Q()										
ECWFG2J305P()	3.0	27.0	17.5	26.5	22.5	1.0	0 \pm 0.8	2.25	150	150
ECWFG2J305Q()										

* () : Suffix for lead crimped

[Lead pitch : 27.5 mm]

Part No	Cap. (μ F)	Dimensions (mm)							Min. order Q'ty	
		L	T	H	F	Φ d	P	Q	Straight	Cut lead
ECWFG2J105□()	1.0	31.5	9.5	18.0	27.5	1.0	0 \pm 0.8	2.0	400	350
ECWFG2J155□()	1.5	31.5	10.5	21.0	27.5	1.0	0 \pm 0.8	2.0	300	300
ECWFG2J225□()	2.2	31.5	12.0	24.5	27.5	1.0	0 \pm 0.8	2.0	200	250
ECWFG2J305□()	3.0	31.5	13.5	28.5	27.5	1.0	0 \pm 0.8	2.0	150	150
ECWFG2J475□()	4.7	31.5	17.5	32.5	27.5	1.0	0 \pm 0.8	2.0	100	100

* □ : Capacitance tolerance code

* () : Suffix for lead crimped

- Rated voltage : 1100 V.DC, Capacitance tolerance : $\pm 5\%$ (J)

NEW Part No	Cap. (μ F)	Dimensions (mm)							Min. order Q'ty	
		L	T	H	F	Φ d	P	Q	Straight	Cut lead
ECWFG1B105J()	1.0	31.5	10.5	21.0	27.5	0.8	0 \pm 1.0	2.0	300	300
ECWFG1B155J()	1.5	31.5	12.0	24.5	27.5	0.8	0 \pm 1.0	2.0	200	250
ECWFG1B205J()	2.0	31.5	12.0	24.5	27.5	0.8	0 \pm 1.0	2.0		
ECWFG1B225J()	2.2	31.5	13.5	28.5	27.5	0.8	0 \pm 1.0	2.0	150	150
ECWFG1B305J()	3.0	31.5	16.0	29.5	27.5	0.8	0 \pm 1.0	2.0		
ECWFG1B335J()	3.3	31.5	16.0	29.5	27.5	0.8	0 \pm 1.0	2.0	100	100
ECWFG1B405J()	4.0	31.5	17.5	32.5	27.5	0.8	0 \pm 1.0	2.0		
ECWFG1B475J()	4.7	31.5	18.5	35.0	27.5	0.8	0 \pm 1.0	2.0		
ECWFG1B505J()	5.0	31.5	18.5	35.0	27.5	0.8	0 \pm 1.0	2.0	100	100

* () : Suffix for lead crimped

Metallized Polypropylene Film Capacitor (For Automotive)

ECQUA series [Class X2]



In accordance with UL/CSA and European safety regulation class X2
Equipped with a safety mechanism

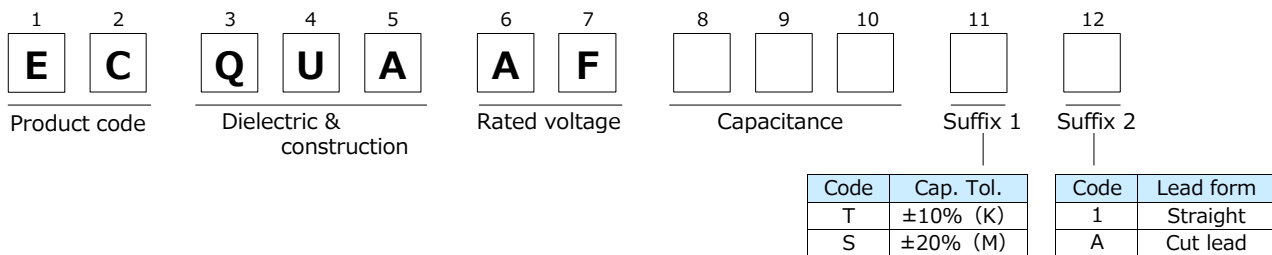
Features

- High safety (safety function installed)
- High humidity resistance (THB test : 85 °C, 85 %, 240 V.AC, 1000 h)
- High Thermal shock resistance (-40 ⇔ 85°C, 1000 cycles)
- Flame-retardant plastic case and non-combustible resin
- AEC-Q200 compliant
- RoHS compliant

Recommended applications

- Interference suppressors for automotive

Explanation of part number



Applicable standard

* It is certified as type ECQUA in the following approval.

Approval		Class	Certification
UL	UL60384-14	Class X2	UL
CSA	CAN/CSA E60384-14	Class X2	
Europe	EN60384-14	Class X2	VDE
International	IEC60384-14	Class X2	

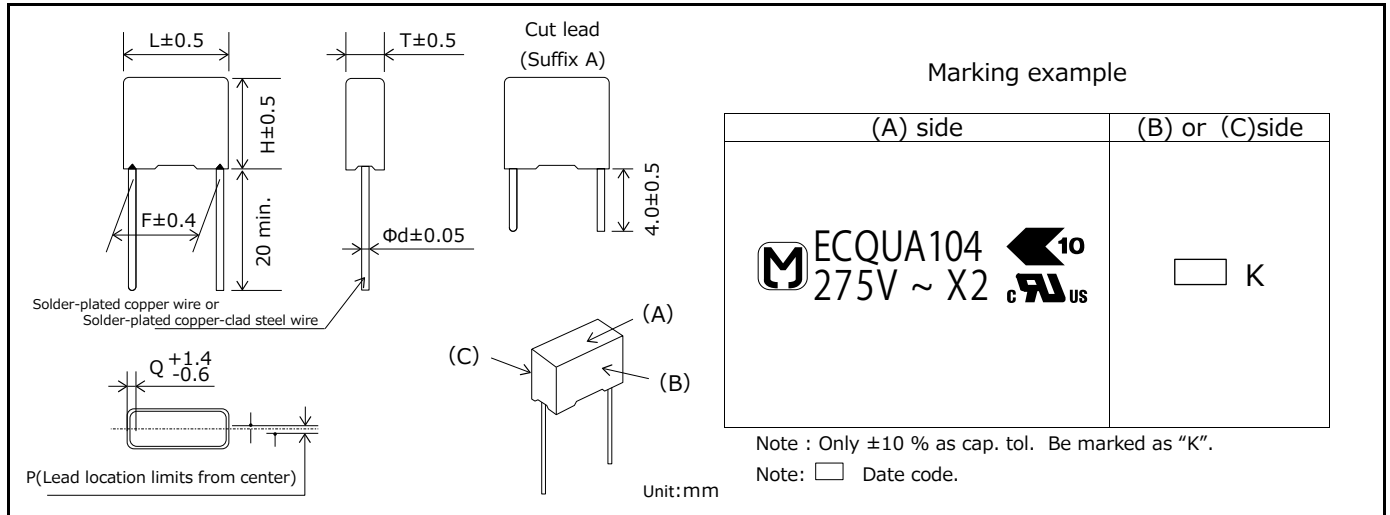
* When applying this capacitor to European and American safety standards, please use type designation and rating such as ECQUA, 0.1 μF.
* Approval number (File No.) of safety regulations are subject to revision without notice. Ask factory for a copy of the latest file No.

Specifications

Category temp. range	-40 °C to +110 °C
Rated voltage	275 V.AC
Capacitance range	0.10 μF to 4.7 μF
Capacitance tolerance	±10 % (K), ±20 % (M)
Dissipation factor (tan δ)	C ≤ 1.0 μF : tan δ ≤ 0.1 % (20 °C, 1 kHz) C > 1.0 μF : tan δ ≤ 0.2 % (20 °C, 1 kHz)
Withstand voltage	Between terminals : 633 V.AC, 1183 V.DC, 60 s Between terminals to enclosure : 2050 V.AC, 60 s
Insulation resistance (IR)	C ≤ 0.33 μF : IR ≥ 15,000 MΩ (20 °C, 100 V.DC, 60 s) C > 0.33 μF : IR ≥ 5,000 MΩ · μF (20 °C, 100 V.DC, 60 s) C ≤ 0.47 μF : IR ≥ 2,000 MΩ (20 °C, 500 V.DC, 60 s)
Maximum AC voltage * *	310 V.AC

* Use of this capacitor is limited to AC voltage (50 Hz or 60 Hz sine wave).
* A faint corona discharge may occur inside of the capacitor element at rated voltage, however there is no influence on the reliability of the capacitor.
* * Maximum AC voltage including line voltage fluctuation is 310 V.AC.
310 V.AC is not nominal continuous applied voltage, but only indicates maximum value including in the voltage of the power supply.
Basic nominal voltage is considered as 240 V.AC.
This maximum AC voltage is specified in only ECQUA type, not specified in other types.
Please refer to individual product specification, and contact us for further questions regarding design life.

Dimensions



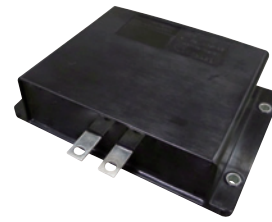
Rating · Dimensions · Quantity

Part No.	Cap. (μF)	Dimensions (mm)							Min. order Q'ty	
		L	T	H	F	Φd	P	Q	Straight	Cut lead
ECQUAAF104T ()	0.10	17.5	5.0	12.0	15.0	0.6	0 ± 0.8	1.3	1000	1000
ECQUAAF104S ()										
ECQUAAF154T ()	0.15	17.5	6.0	13.0	15.0	0.6	0 ± 0.8	1.3		
ECQUAAF154S ()										
ECQUAAF224T ()	0.22	17.5	7.5	14.0	15.0	0.6	0 ± 0.8	1.3		
ECQUAAF224S ()										
ECQUAAF334T ()	0.33	17.5	9.0	16.0	15.0	0.6	0 ± 0.8	1.3		
ECQUAAF334S ()										
ECQUAAF474T ()	0.47	26.0	8.5	15.0	22.5	0.8	0 ± 0.8	1.8	600	800
ECQUAAF474S ()										
ECQUAAF684T ()	0.68	26.0	10.0	17.0	22.5	0.8	0 ± 0.8	1.8	500	500
ECQUAAF684S ()										
ECQUAAF105T ()	1.0	26.0	12.0	19.0	22.5	0.8	0 ± 0.8	1.8	300	300
ECQUAAF105S ()										
ECQUAAF155T ()	1.5	31.0	12.0	22.0	27.5	0.8	0 ± 0.8	1.8	200	200
ECQUAAF155S ()										
ECQUAAF225T ()	2.2	31.0	14.5	24.5	27.5	0.8	0 ± 0.8	1.8		
ECQUAAF225S ()										
ECQUAAF335T ()	3.3	31.0	19.0	29.0	27.5	0.8	0 ± 0.8	1.8	150	150
ECQUAAF335S ()										
ECQUAAF475T ()	4.7	31.0	23.0	33.0	27.5	0.8	0 ± 0.8	1.8	100	100
ECQUAAF475S ()										

* () : Suffix for lead crimped

DC-Link Film Capacitor

Series : **TYPE1**



Features

- High safety, Self-healing and Self-protecting function built in.
- No catastrophic failure upon natural end of life due to inbuilt fuse function.
- Open circuit failure mode by fuse function patterned electrode
- Can replace Electrolytic Capacitor
- Low ESR, High Ripple Current capability
- Low ESL
- RoHS directive compliant

Recommended applications

- Any automotive and/or other application requiring DC Linkage
- * Verify the usage and fitting environments, and make sure to observe the rated performance specified in the corresponding specifications.

Construction

- Dielectric : Polypropylene
- Electrode : Metallized dielectric with Segment pattern
- Plastic Case : PPS. equivalent to UL94 V-0
- Sealing : Epoxy Resin equivalent to UL94 HB
- Terminal : Copper with Tin plating

Explanation of part number

1	2	3	4	5	6	7	8	9	10	11	12
E	Z	T	V	K	C	T	Y	P	1	H	A

Specifications

Operating temperature on the surface of the case	- 40 °C to +105 °C including self heat generation
Capacitance	581 μF ^{+10%} / _{-5%} at 1 kHz, 25 °C
Rated voltage	450 V.DC
Maximum voltage	600 V.DC for 60 sec in life time
Rated ripple current	Continuous 80 Arms at 10 kHz
Current derating	Refer Fig.1
ESR	0.8 mΩ or less at 10KHz
ESL	20 nH or less at 1MHz
Insulation Resistance between Terminals and Case	1 GΩ or more Measure after applying 500 V.DC for 2 seconds.
Dimensions L × W × H (Typical data)	164 × 115 × 43.1 mm : Excluding terminals
Weight (Typical data)	980 g

Note:

1) Voltage includes ripple voltage

2) Derate the current when the maximum surface temperature exceeds 95 degC, as shown in Fig. 1.

Current Derating

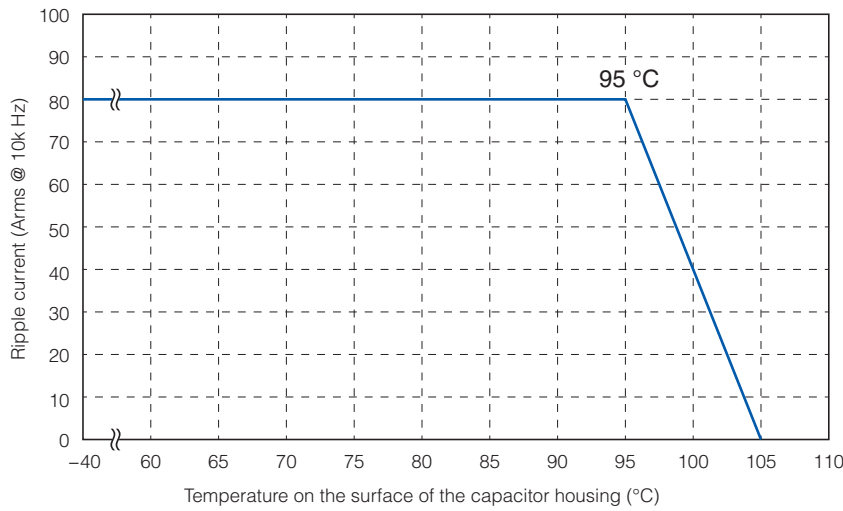
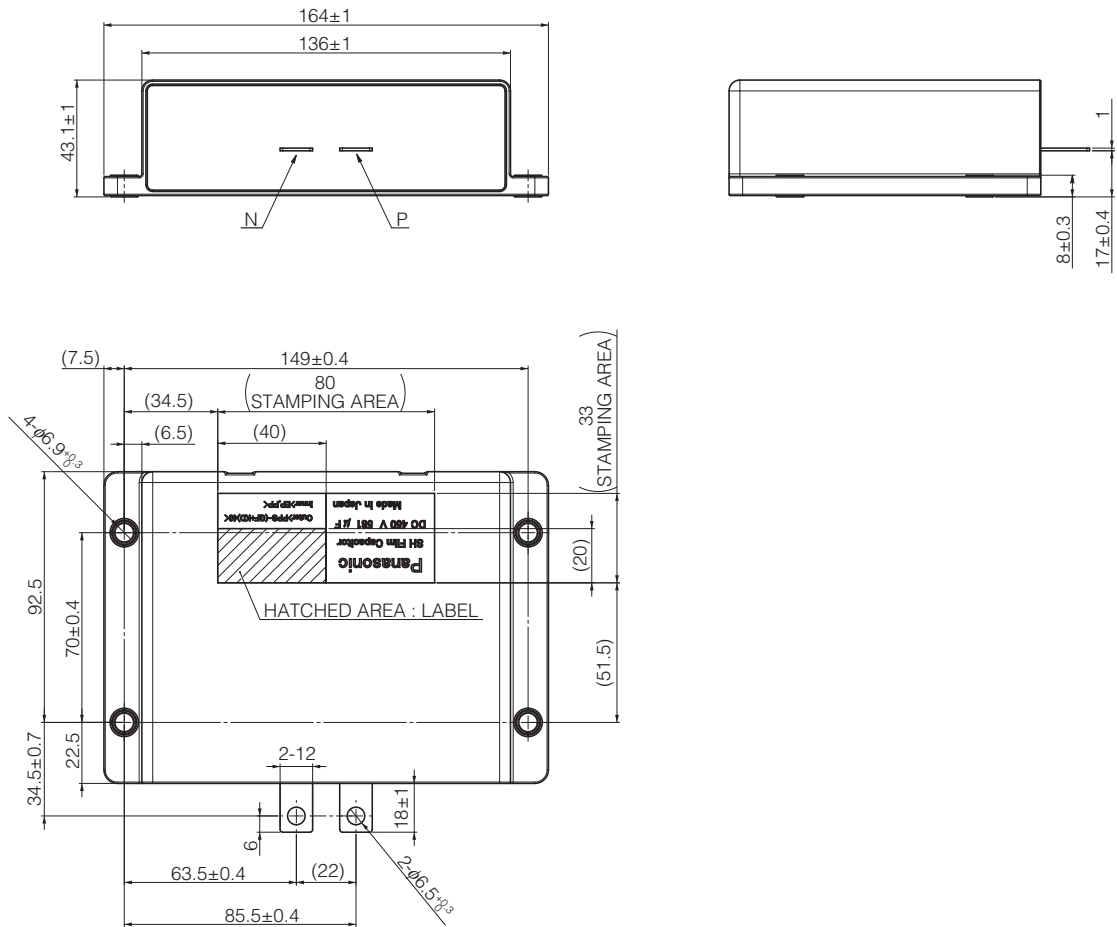


Fig.1 Current derating curve

Dimensions

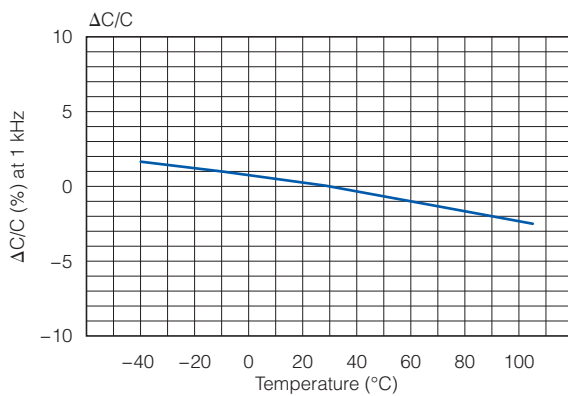
Unit : mm



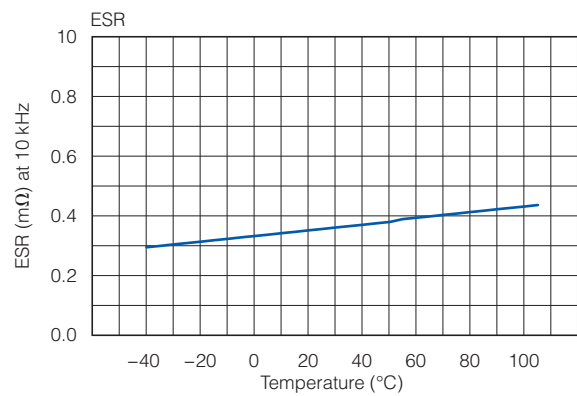
Characteristics <Reference>

<Temperature characteristics (Typical curve)>

● Change of capacitance

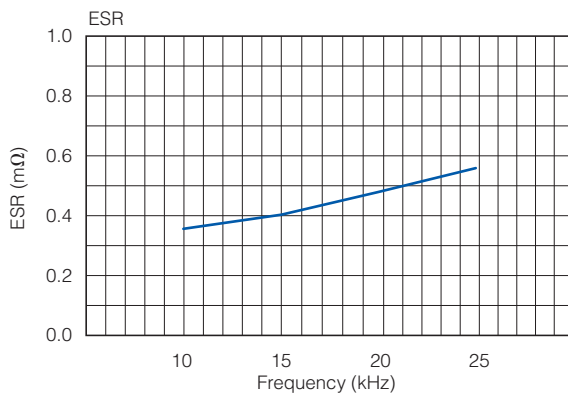


● Equivalent series resistance



<Frequency characteristics (Typical curve)>

● Equivalent series resistance



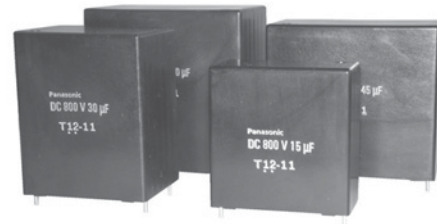
<Lifetime Expectancy (Reference)>

- * Expected life : 15,000 hours
- * Failure in Time : 300 Fits

The above values are reference calculated under an pre-assumed average operating condition.

Metalized Polypropylene Film Capacitor

Series : **EZPE Series**



Features

- High safety, Self-healing and Self-protecting function built-in
- Long product life, High reliability
- Low loss, Low ESR
- Flame retardant (Case and sealing resin)
- RoHS directive compliant

Recommended applications

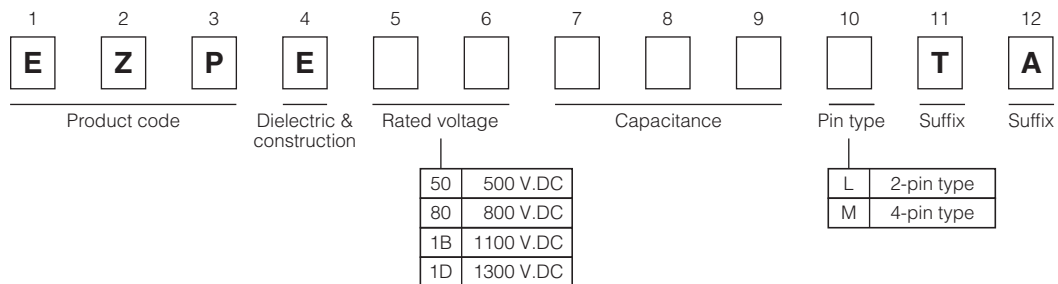
For DC filtering, DC link circuit

- Solar inverters
- Wind power generation
- Industrial power supplies
- Inverter circuit in appliances (Air Conditioners etc.)

Construction

- Dielectric : Polypropylene film
- Electrodes : Metallized dielectric with segmented pattern
- Plastic case : UL94 V-0
- Sealing : UL94 V-0
- Terminals : Tinned wires, 2-pin and 4-pin versions

Explanation of part number



Specifications

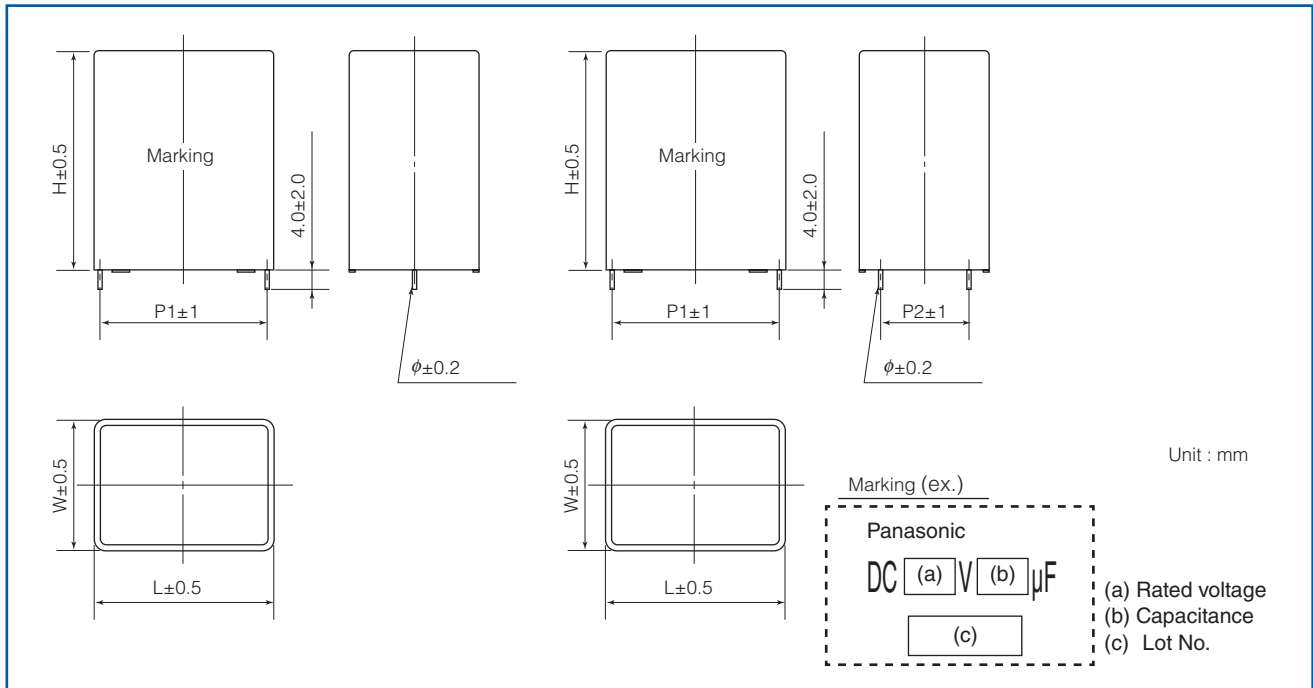
Category temperature range (T _C) *1	-40 °C to +85 °C	
Rated voltage(V _R) *2	500 V.DC, 800 V.DC, 1100 V.DC, 1300 V.DC (Derating of rated voltage by more than 70 °C *3)	
Rated capacitance (C _R)	500 V.DC	10 µF to 110 µF
	800 V.DC	10 µF to 60 µF
	1100 V.DC	10 µF to 40 µF
	1300 V.DC	10 µF to 25 µF
Capacitance tolerance	±10 %	
Withstanding DC voltage	Between terminals : Rated voltage. (V.DC)×150 %, 10 s Terminal to case : 2110 V.AC (50 Hz or 60 Hz), 10 s	
Insulation resistance (CR)	CR ≥ 10000 Ω · F (20 °C, 500 V.DC, 60 s)	

*1 : The temperature of capacitor surface (case)

*2 : Use for DC voltage only

*3 : Refer to the page of "DC voltage derating"

Dimensions



Rating · Dimensions · Quantity

- Rated voltage : 500 V.DC at 70 °C (450 V.DC at 85 °C)

Part No.	Cap. C_R (μ F)	Dimensions (mm)						dv/dt [V/ μ s]	Permissible current		ESR _{typ} ^{*3} (m Ω)	tan δ ^{*4} (%)	Mass (g)	Min. order Q'ty ^{*5} (pcs)
		W	H	L	P1	P2	ϕ		Peak Current ^{*1} (A _{o-p})	RMS Current ^{*2} (A _{rms})				
EZPE50106LTA	10	20	42	41.5	37.5	-	1.2	21	210	5.0	22.0	0.28	45	600
EZPE50156LTA	15	20	42	41.5	37.5	-	1.2	21	315	7.5	14.8	0.28	45	
EZPE50206LTA	20	20	42	41.5	37.5	-	1.2	21	420	9.5	11.0	0.28	44	
EZPE50256LTA	25	20	42	41.5	37.5	-	1.2	21	525	11.0	8.8	0.28	43	
EZPE50306MTA	30	20	42	41.5	37.5	10.2	1.2	21	630	12.5	7.0	0.28	43	
EZPE50356MTA	35	30	51	41.5	37.5	10.2	1.2	21	735	13.5	6.2	0.28	83	400
EZPE50406MTA	40	30	51	41.5	37.5	10.2	1.2	21	840	14.5	5.4	0.28	82	
EZPE50456MTA	45	30	51	41.5	37.5	10.2	1.2	21	945	15.2	4.9	0.28	81	
EZPE50506MTA	50	30	51	41.5	37.5	20.3	1.2	21	1050	16.0	4.4	0.28	80	
EZPE50556MTA	55	30	51	41.5	37.5	20.3	1.2	21	1155	16.3	4.1	0.28	79	
EZPE50606MTA	60	30	51	41.5	37.5	20.3	1.2	21	1260	16.5	3.9	0.28	77	200
EZPE50656MTA	65	30	51	57.5	52.5	10.2	1.2	14	910	15.0	6.8	0.44	111	
EZPE50706MTA	70	30	51	57.5	52.5	10.2	1.2	14	980	15.5	6.5	0.44	109	
EZPE50756MTA	75	30	51	57.5	52.5	20.3	1.2	14	1050	16.0	6.0	0.44	108	
EZPE50806MTA	80	30	51	57.5	52.5	20.3	1.2	14	1120	16.5	5.7	0.44	106	
EZPE50856MTA	85	35	56	57.5	52.5	20.3	1.2	14	1190	16.7	5.4	0.44	142	200
EZPE50906MTA	90	35	56	57.5	52.5	20.3	1.2	14	1260	17.0	5.1	0.44	141	
EZPE50956MTA	95	35	56	57.5	52.5	20.3	1.2	14	1330	17.5	4.9	0.44	140	
EZPE50107MTA	100	35	56	57.5	52.5	20.3	1.2	14	1400	18.0	4.7	0.44	139	
EZPE50117MTA	110	35	56	57.5	52.5	20.3	1.2	14	1540	18.5	4.4	0.44	138	

*1 : When rising temperature of capacitor surface by continuous peak current (included pulse current), use within limit specified for temperature of capacitor surface and self heating temperature rise.

*2 : Maximum RMS current @70 °C, 10 kHz
Use within limit for self heating temperature rise at capacitor surface.

*3 : Typical values @ 20 °C, 10 kHz ESR : less than 2.5×ESR_{typ}

*4 : Maximum dissipation factor @ 20 °C, 1 kHz

*5 : Minimum order quantity consists of 4 packing units.

Rating · Dimensions · Quantity

● Rated voltage : 800 V.DC at 70 °C (700 V.DC at 85 °C)

Part No.	Cap. C _R (μF)	Dimensions (mm)						dv/dt [V/μs]	Permissible current		ESR _{typ} * ³ (mΩ)	tan δ * ⁴ (%)	Mass (g)	Min. order Q'ty * ⁵ (pcs)
		W	H	L	P1	P2	φ		Peak Current * ¹ (A _{o-p})	RMS Current * ² (A _{rms})				
EZPE80106LTA	10	20	42	41.5	37.5	–	1.2	22	220	7	15.8	0.22	44	600
EZPE80156MTA	15	20	42	41.5	37.5	10.2	1.2	22	330	9	10.5	0.22	43	
EZPE80206MTA	20	30	51	41.5	37.5	10.2	1.2	22	440	11	7.7	0.22	82	400
EZPE80256MTA	25	30	51	41.5	37.5	10.2	1.2	22	550	13	6.8	0.22	80	
EZPE80306MTA	30	30	51	41.5	37.5	20.3	1.2	22	660	15	5.3	0.22	78	200
EZPE80356MTA	35	30	51	57.5	52.5	10.2	1.2	15	525	12	9.7	0.33	110	
EZPE80406MTA	40	30	51	57.5	52.5	20.3	1.2	15	600	13	8.3	0.33	107	
EZPE80456MTA	45	30	51	57.5	52.5	20.3	1.2	15	675	14	7.0	0.33	104	
EZPE80506MTA	50	35	56	57.5	52.5	20.3	1.2	15	750	15	6.3	0.33	140	
EZPE80556MTA	55	35	56	57.5	52.5	20.3	1.2	15	825	16	5.9	0.33	138	
EZPE80606MTA	60	35	56	57.5	52.5	20.3	1.2	15	900	17	5.6	0.33	136	

● Rated voltage : 1100 V.DC at 70 °C (920 V.DC at 85 °C)

Part No.	Cap. C _R (μF)	Dimensions (mm)						dv/dt [V/μs]	Permissible current		ESR _{typ} * ³ (mΩ)	tan δ * ⁴ (%)	Mass (g)	Min. order Q'ty * ⁵ (pcs)
		W	H	L	P1	P2	φ		Peak Current * ¹ (A _{o-p})	RMS Current * ² (A _{rms})				
EZPE1B106MTA	10	20	42	41.5	37.5	10.2	1.2	54	540	7.0	12.3	0.20	43	600
EZPE1B156MTA	15	30	51	41.5	37.5	10.2	1.2	54	810	8.5	8.2	0.20	80	
EZPE1B206MTA	20	30	51	41.5	37.5	20.3	1.2	54	1080	10.0	6.3	0.20	76	400
EZPE1B256MTA	25	30	51	57.5	52.5	10.2	1.2	35	875	8.0	10.7	0.28	107	
EZPE1B306MTA	30	30	51	57.5	52.5	20.3	1.2	35	1050	9.0	8.5	0.28	103	200
EZPE1B356MTA	35	35	56	57.5	52.5	20.3	1.2	35	1225	10.0	7.2	0.28	137	
EZPE1B406MTA	40	35	56	57.5	52.5	20.3	1.2	35	1400	11.0	6.5	0.28	134	

● Rated voltage : 1300 V.DC at 70 °C (1100 V.DC at 85 °C)

Part No.	Cap. C _R (μF)	Dimensions (mm)						dv/dt [V/μs]	Permissible current		ESR _{typ} * ³ (mΩ)	tan δ * ⁴ (%)	Mass (g)	Min. order Q'ty * ⁵ (pcs)
		W	H	L	P1	P2	φ		Peak Current * ¹ (A _{o-p})	RMS Current * ² (A _{rms})				
EZPE1D106MTA	10	30	51	41.5	37.5	10.2	1.2	73	730	12.0	10.0	0.17	80	400
EZPE1D156MTA	15	30	51	57.5	52.5	10.2	1.2	50	750	10.0	14.5	0.22	109	200
EZPE1D206MTA	20	30	51	57.5	52.5	20.3	1.2	50	1000	14.0	11.1	0.22	103	
EZPE1D256MTA	25	35	56	57.5	52.5	20.3	1.2	50	1250	17.0	8.5	0.22	136	

*1 : When rising temperature of capacitor surface by continuous peak current (included pulse current), use within limit specified for temperature of capacitor surface and self heating temperature rise.

*2 : Maximum RMS current @70 °C, 10 kHz
Use within limit for self heating temperature rise at capacitor surface.

*3 : Typical values @ 20 °C, 10 kHz ESR : less than 2.5×ESR_{typ}

*4 : Maximum dissipation factor @ 20 °C, 1 kHz

*5 : Minimum order quantity consists of 4 packing units.

Metallized Polypropylene Film Capacitor

Series : **EZPE Series (Low profile type)**



Features

- High safety, Self-healing and Self-protecting function built-in
- Long product life, High reliability, High moisture resistance
- Low loss, Low ESR
- Flame retardant
- Low profile design
- RoHS directive compliant

Recommended applications

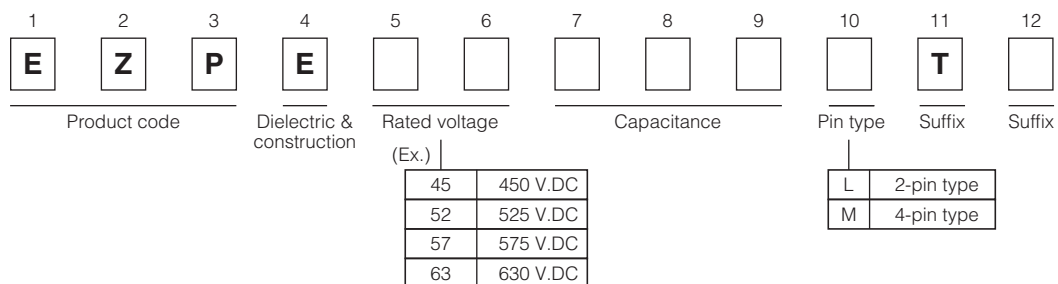
For DC filtering, DC link circuit

- Solar inverters, Micro inverters
- Wind power generation
- Industrial power supplies
- Inverter circuit in appliances (Air Conditioners etc.)

Construction

- Dielectric : Polypropylene film
- Electrodes : Metallized dielectric with segmented pattern
- Plastic case : UL94 V-0
- Sealing : UL94 V-0
- Terminals : Tinned wires, 2-pin and 4-pin versions

Explanation of part number



Specifications

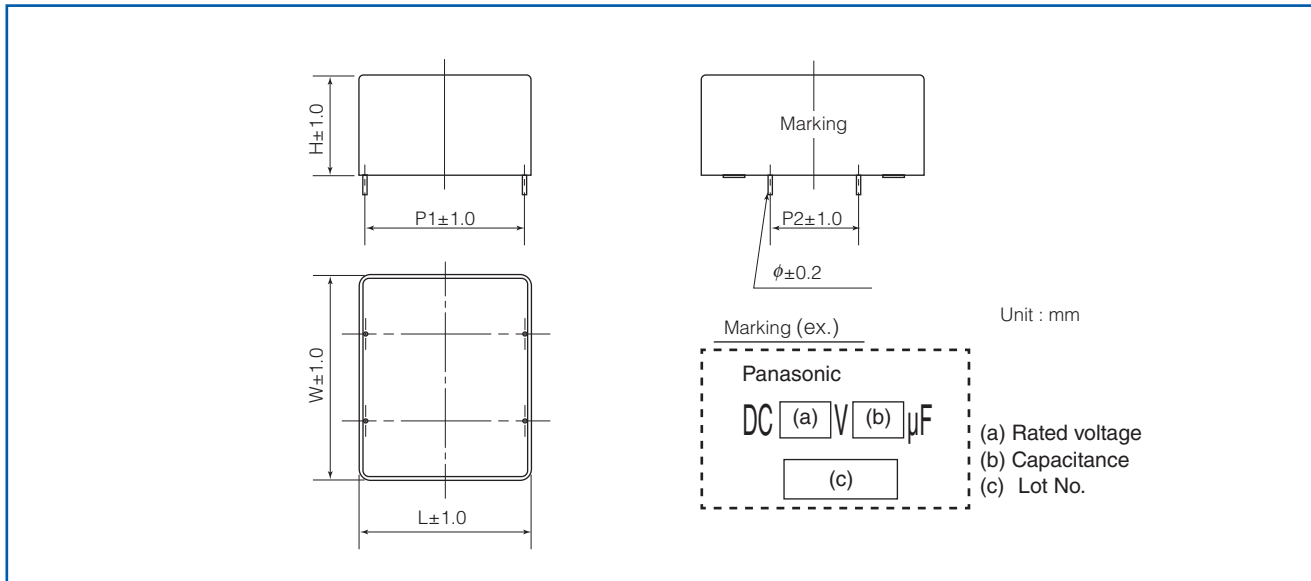
Category temperature range (T _C) *1	-40 °C to +85 °C	
Rated voltage(V _R) *2	450 V.DC, 525 V.DC, 575 V.DC, 630 V.DC (Derating of rated voltage by more than 70 °C *3)	
Rated capacitance (C _R)	450 V.DC	66 μF
	525 V.DC	29 μF
	575 V.DC	12 μF
	630 V.DC	10 μF
Capacitance tolerance	±15 %	
Withstanding DC voltage	Between terminals : Rated voltage. (V.DC)×150 %, 10 s Terminal to case : 2000 V.AC (50 Hz or 60 Hz), 10 s	
Insulation resistance (CR)	CR ≥ 10000 Ω · F (20 °C, 500 V.DC, 60 s)	

*1 : The temperature of capacitor surface (case)

*2 : Use for DC voltage only

*3 : Refer to the page of "DC voltage derating"

Dimensions



Rating · Dimensions · Quantity

- Rated voltage : 450 V.DC at 70 °C

Part No.	Cap. C_R (μF)	Dimensions (mm)						dv/dt [V/ μs]	Permissible current		ESR _{typ} * ³ (m Ω)	tan δ * ⁴ (%)	Mass (g)	Min. order Q'ty * ⁵ (pcs)
		W	H	L	P1	P2	ϕ		Peak Current * ¹ (A _{o-p})	RMS Current * ² (A _{rms})				
EZPE45666MTB	66	90	24	32.5	27.5	37.5	0.8	5	300	15.0	5.0	0.3	110	200

- Rated voltage : 525 V.DC at 70 °C

Part No.	Cap. C_R (μF)	Dimensions (mm)						dv/dt [V/ μs]	Permissible current		ESR _{typ} * ³ (m Ω)	tan δ * ⁴ (%)	Mass (g)	Min. order Q'ty * ⁵ (pcs)
		W	H	L	P1	P2	ϕ		Peak Current * ¹ (A _{o-p})	RMS Current * ² (A _{rms})				
EZPE52296MTB	29	48.5	23.5	37.0	34.0	20.3	0.8	14	400	3.0	7.0	0.4	50	400

- Rated voltage : 575 V.DC at 70 °C

Part No.	Cap. C_R (μF)	Dimensions (mm)						dv/dt [V/ μs]	Permissible current		ESR _{typ} * ³ (m Ω)	tan δ * ⁴ (%)	Mass (g)	Min. order Q'ty * ⁵ (pcs)
		W	H	L	P1	P2	ϕ		Peak Current * ¹ (A _{o-p})	RMS Current * ² (A _{rms})				
EZPE57126LTB	12	24.5	19.5	41.5	37.5	-	1.0	22	264	5.0	22.0	0.45	25	800

- Rated voltage : 630 V.DC at 70 °C

Part No.	Cap. C_R (μF)	Dimensions (mm)						dv/dt [V/ μs]	Permissible current		ESR _{typ} * ³ (m Ω)	tan δ * ⁴ (%)	Mass (g)	Min. order Q'ty * ⁵ (pcs)
		W	H	L	P1	P2	ϕ		Peak Current * ¹ (A _{o-p})	RMS Current * ² (A _{rms})				
EZPE63106LTB	10	24.5	19.5	41.5	37.5	-	1.0	21	210	3.0	22.0	0.45	25	800

*1 : When rising temperature of capacitor surface by continuous peak current (included pulse current), use within limit specified for temperature of capacitor surface and self heating temperature rise.

*2 : Maximum RMS current @ 70 °C, 10 kHz
Use within limit for self heating temperature rise at capacitor surface.

*3 : Typical values @ 20 °C, 10 kHz ESR : less than $2.5 \times \text{ESR}_{\text{typ}}$

*4 : Maximum dissipation factor @ 20 °C, 1 kHz

*5 : Minimum order quantity consists of 4 packing units.

Metallized Polypropylene Film Capacitor

EZPQ series

UPGRADE



Features

- High safety (Self-protecting function built-in)
- Long product life, High reliability
- Low loss, Low ESR
- Flame retardant (Case and sealing resin)
- High moisture resistance (85 °C, 85 %RH)
 - 330 V.AC : 280 V.AC, 1000 h
 - 380 V.AC : 320 V.AC, 1000 h
- RoHS compliant

Recommended applications

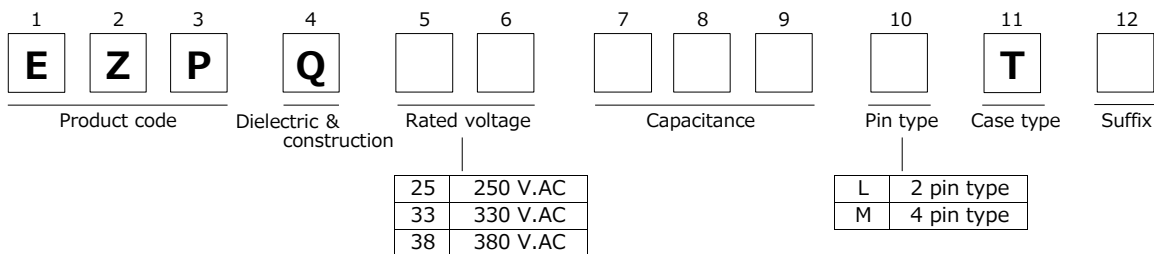
For AC filter

- Solar inverters
- UPS
- Industrial power supplies
- Inverter circuit in appliances (Air conditioners etc.)

Construction

- Dielectric : Polypropylene film
- Electrodes : Metallized dielectric with segmented pattern
- Plastic case : UL94 V-0
- Sealing : UL94 V-0
- Terminals : Tinned wires, 2-pin and 4-pin versions

Explanation of part number



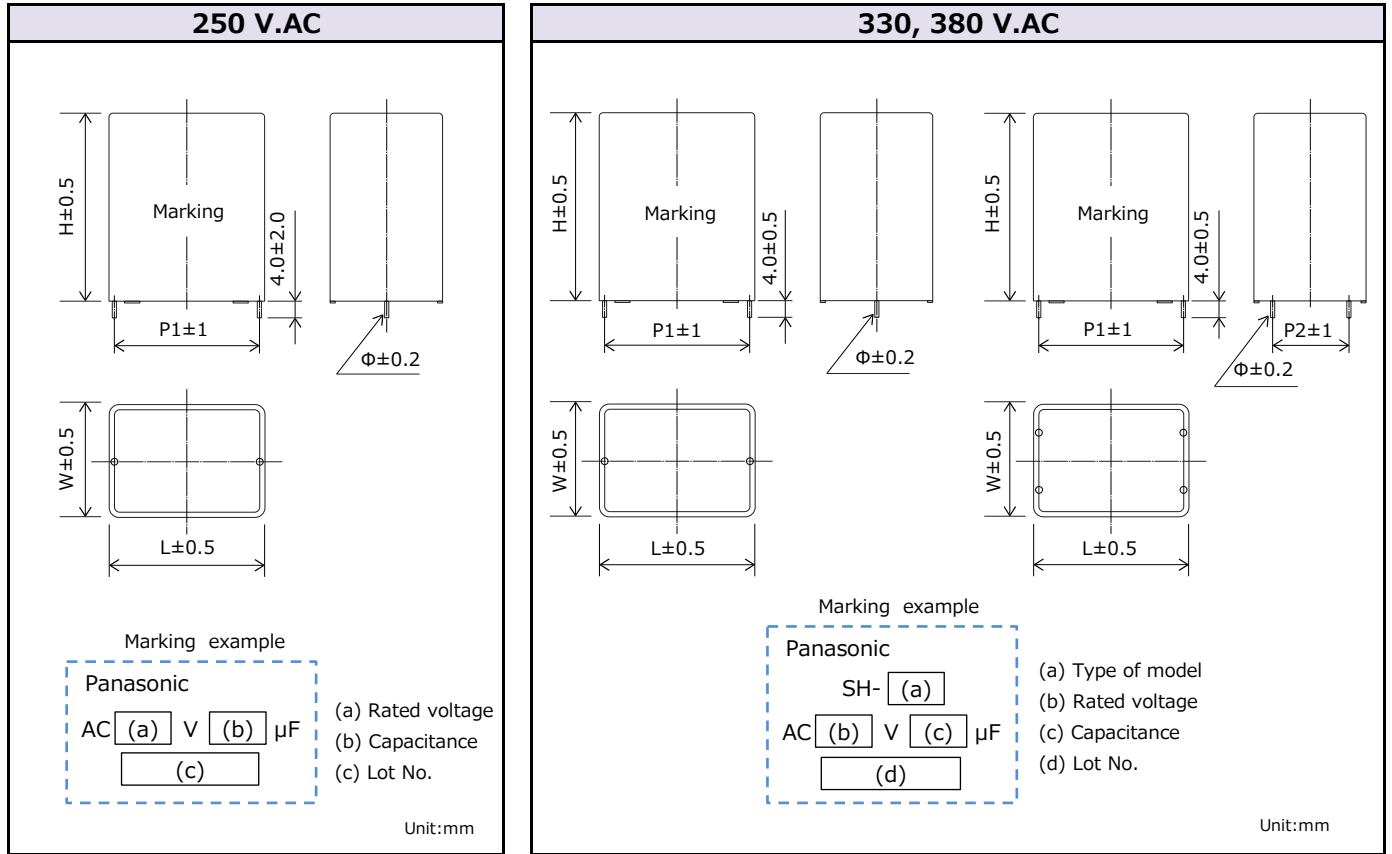
Specifications

Category temperature range *1	250 V.AC	-40 °C to +85 °C
	330 V.AC	-40 °C to +105 °C
	380 V.AC	
Rated voltage *2	250 V.AC	250 V.AC
	330 V.AC, 380 V.AC	(Derating of rated voltage by 1.0 %/°C at more than 85 °C)
Rated capacitance	250 V.AC	12, 22, 36 μF
	330 V.AC	3 μF to 20 μF
	380 V.AC	1 μF to 15 μF
Capacitance tolerance		±5%, ±10 %
Withstanding DC voltage	250 V.AC	Between terminals : Rated voltage (V.AC) × 175 % 10 s
	330 V.AC	Terminal to case : 2000 V.AC (50 Hz or 60 Hz), 10 s
	380 V.AC	Between terminals : Rated voltage (V.AC) × 150 % 60 s
Insulation resistance (IR)		Terminal to case : 2000 V.AC (50 Hz or 60 Hz), 10 s
		CR ≥ 10,000 Ω·F (20 °C, 100 V.DC, 60 s)

*1 : The temperature of capacitor surface (case).

*2 : Use for AC voltage only.

Dimensions



Rating · Dimensions · Quantity

● Rated voltage : 250 V.AC

Part No.	Capacitance (μF)	Dimensions (mm)						Mass (g)	Min. order Q'ty*1 (PCS)
		W	H	L	P1	P2	Φ		
EZPQ25126LTA	12	22	36	48.5	45.6	—	1.2	80	800
EZPQ25226LTA	22	30	45	57.5	52.5	—	1.2	107	200
EZPQ25366LTA	36	35	56	57.5	52.5	—	1.2	136	200

*1 : Minimum order quantity consists of 4 packing units.

Rating · Dimensions · Quantity

● Rated voltage : 330 V.AC **NEW**

Part No.	Cap. Tol. (%)	Cap. (μF)	Dimensions (mm)						dv/dt (V/μs)	Permissible current		ESR* ³ (mΩ)	Mass (g)	Min. order Q'ty* ⁴ (PCS)
			W	H	L	P1	P2	Φ		Peak current* ¹ (A _{0-P})	RMS current* ² (A rms)			
EZPQ33305LTA	±5	3.0	17.0	34.5	41.0	37.5	-	1.0	23	69	5.0	23.0	38	1200
EZPQ33335LTA	±5	3.3	17.0	34.5	41.0	37.5	-	1.0	23	76	5.3	21.2	38	1200
EZPQ33355LTA	±5	3.5	17.0	34.5	41.0	37.5	-	1.0	23	81	5.6	20.0	39	1200
EZPQ33405LTA	±5	4.0	17.0	34.5	41.0	37.5	-	1.0	23	92	6.2	17.5	40	1200
EZPQ33455LTA	±5	4.5	17.0	34.5	41.0	37.5	-	1.0	23	104	6.8	15.9	39	1200
EZPQ33475LTA	±5	4.7	22.0	36.0	41.0	37.5	-	1.0	23	108	6.8	16.2	51	600
EZPQ33505LTA	±5	5.0	22.0	36.0	41.0	37.5	-	1.0	23	115	7.1	15.2	50	600
EZPQ33605LTA	±5	6.0	22.0	36.0	41.0	37.5	-	1.0	23	138	8.0	13.5	58	600
EZPQ33685LTA	±5	6.8	26.0	40.5	41.0	37.5	-	1.0	23	156	8.6	12.6	73	600
EZPQ33705LTA	±5	7.0	26.0	40.5	41.0	37.5	-	1.0	23	161	8.8	12.2	73	600
EZPQ33805LTA	±5	8.0	26.0	40.5	41.0	37.5	-	1.0	23	184	9.5	11.3	74	600
EZPQ33905LTA	±5	9.0	26.5	41.5	41.5	37.5	-	1.0	23	207	10.3	10.6	78	400
EZPQ33106LTA	±5	10.0	35.5	50.5	42.5	37.5	-	1.2	23	230	12.1	8.1	115	400
EZPQ33106LTB	±5	10.0	30.0	50.5	41.0	37.5	-	1.0	23	230	10.4	10.9	100	400
EZPQ33126LTA	±5	12.0	30.0	50.5	41.0	37.5	-	1.0	23	276	11.5	10.0	99	400
EZPQ33146LTA	±5	14.0	35.5	50.5	42.5	37.5	-	1.2	23	322	14.4	7.1	122	400
EZPQ33156LTA	±5	15.0	35.5	50.5	42.5	37.5	-	1.2	23	345	14.9	7.0	143	400
EZPQ33206LTB	±5	20.0	43.0	58.0	41.0	37.5	-	1.2	23	460	17.9	5.9	182	400
EZPQ33106MTA	±5	10.0	30.0	50.5	41.0	37.5	10.2	1.0	23	230	10.4	10.9	101	400
EZPQ33126MTA	±5	12.0	30.0	50.5	41.0	37.5	10.2	1.0	23	276	11.5	10.0	100	400
EZPQ33146MTA	±5	14.0	35.5	50.5	42.5	37.5	10.2	1.2	23	322	14.4	7.1	122	400
EZPQ33156MTA	±5	15.0	35.5	50.5	42.5	37.5	10.2	1.2	23	345	14.9	7.0	144	400
EZPQ33206MTA	±5	20.0	43.0	58.0	41.0	37.5	10.2	1.2	23	460	17.9	5.9	184	400

● Rated voltage : 380 V.AC **NEW**

Part No.	Cap. Tol. (%)	Cap. (μF)	Dimensions (mm)						dv/dt (V/μs)	Permissible current		ESR* ³ (mΩ)	Mass (g)	Min. order Q'ty* ⁴ (PCS)
			W	H	L	P1	P2	Φ		Peak current* ¹ (A _{0-P})	RMS current* ² (A rms)			
EZPQ38105LTA	±5	1.0	15.0	29.0	41.0	37.5	-	1.0	50	50	2.1	71.6	27	1200
EZPQ38155LTA	±5	1.5	15.0	29.0	41.0	37.5	-	1.0	50	75	2.8	48.8	28	1200
EZPQ38205LTA	±5	2.0	15.0	29.0	41.0	37.5	-	1.0	50	100	3.5	36.6	29	1200
EZPQ38225LTB	±5	2.2	15.0	29.0	41.0	37.5	-	1.0	50	110	3.8	33.2	30	1200
EZPQ38255LTB	±5	2.5	15.0	29.0	41.0	37.5	-	1.0	50	125	4.1	29.2	31	1200
EZPQ38305LTA	±5	3.0	17.0	34.5	41.0	37.5	-	1.0	50	150	4.8	24.4	39	1200
EZPQ38335LTA	±5	3.3	17.0	34.5	41.0	37.5	-	1.0	50	165	5.2	22.1	38	1200
EZPQ38355LTA	±5	3.5	17.0	34.5	41.0	37.5	-	1.0	50	175	5.4	20.9	39	1200
EZPQ38405LTA	±5	4.0	22.0	36.0	41.0	37.5	-	1.0	50	200	6.0	18.3	50	600
EZPQ38455LTA	±5	4.5	22.0	36.0	41.0	37.5	-	1.0	50	225	6.5	16.7	52	600
EZPQ38475LTA	±5	4.7	22.0	36.0	41.0	37.5	-	1.0	50	235	6.7	16.0	51	600
EZPQ38505LTA	±5	5.0	22.0	36.0	41.0	37.5	-	1.0	50	250	7.1	15.1	59	600
EZPQ38555LTA	±5	5.5	26.0	40.5	41.0	37.5	-	1.0	50	275	7.4	14.4	71	600
EZPQ38605LTA	±5	6.0	26.0	40.5	41.0	37.5	-	1.0	50	300	7.8	13.7	73	600
EZPQ38705LTA	±5	7.0	26.0	40.5	41.0	37.5	-	1.0	50	350	8.7	12.2	74	600
EZPQ38755LTA	±5	7.5	26.5	41.5	41.5	37.5	-	1.0	50	375	9.1	11.8	78	400
EZPQ38805LTC	±10	8.0	26.5	41.5	41.5	37.5	-	1.0	70	560	10.0	6.0	78	400
EZPQ38805LTD	±5	8.0	27.5	42.0	41.5	37.5	-	1.0	50	400	9.2	11.9	80	600
EZPQ38855LTA	±5	8.5	30.0	50.5	41.0	37.5	-	1.0	50	425	9.5	11.7	101	400
EZPQ38905LTA	±5	9.0	30.0	50.5	41.0	37.5	-	1.0	50	450	9.8	11.4	100	400
EZPQ38955LTA	±5	9.5	30.0	50.5	41.0	37.5	-	1.0	50	475	10.1	11.0	100	400
EZPQ38106LTA	±5	10.0	30.0	50.5	41.0	37.5	-	1.0	50	500	10.4	10.8	100	400
EZPQ38126LTA	±5	12.0	30.0	56.0	41.5	37.5	-	1.2	50	600	12.7	8.0	122	400
EZPQ38156LTA	±5	15.0	38.0	57.5	42.0	37.5	-	1.2	50	750	14.6	7.1	157	400
EZPQ38805MTA	±5	8.0	27.5	42.0	41.5	37.5	10.2	1.0	50	400	9.2	11.9	81	600
EZPQ38855MTA	±5	8.5	30.0	50.5	41.0	37.5	10.2	1.0	50	425	9.5	11.7	102	400
EZPQ38905MTA	±5	9.0	30.0	50.5	41.0	37.5	10.2	1.0	50	450	9.8	11.4	101	400
EZPQ38955MTA	±5	9.5	30.0	50.5	41.0	37.5	10.2	1.0	50	475	10.1	11.0	101	400
EZPQ38106MTA	±5	10.0	30.0	50.5	41.0	37.5	10.2	1.0	50	500	10.4	10.8	101	400
EZPQ38126MTA	±5	12.0	30.0	56.0	41.5	37.5	10.2	1.2	50	600	12.7	8.0	124	400
EZPQ38156MTB	±5	15.0	38.0	57.5	42.0	37.5	10.2	1.2	50	750	14.6	7.1	159	400

*1 : When rising temperature of capacitor surface by continuous peak current(included pulse current), use within limit specified for temperature of capacitor surface and self heating temperature rise.

*2 : Maximum RMS current @ 85°C , 10kHz Use within limit for self heating temperature rise at capacitor surface.

*3 : 20 °C、10 kHz

*4 : Minimum order quantity consists of 4 packing units.

CAUTION AND WARNING

1. The electronic components contained in this catalog are designed and produced for use in home electric appliances, office equipment, information equipment, communications equipment, and other general purpose electronic devices.
Before use of any of these components for equipment that requires a high degree of safety, such as medical instruments, aerospace equipment, disaster-prevention equipment, security equipment, vehicles (automobile, train, vessel), please be sure to contact our sales representative corporation.
2. When applying one of these components for equipment requiring a high degree of safety, no matter what sort of application it might be, be sure to install a protective circuit or redundancy arrangement to enhance the safety of your equipment. In addition, please carry out the safety test on your own responsibility.
3. When using our products, no matter what sort of equipment they might be used for, be sure to make a written agreement on the specifications with us in advance.
4. Technical information contained in this catalog is intended to convey examples of typical performances and or applications and is not intended to make any warranty with respect to the intellectual property rights or any other related rights of our company or any third parties nor grant any license under such rights.
5. In order to export products in this catalog, the exporter may be subject to the export license requirement under the Foreign Exchange and Foreign Trade Law of Japan.
6. No ozone-depleting substances (ODSs) under the Montreal Protocol are used in the manufacturing processes of Automotive & Industrial Systems Company, Panasonic Corporation.

● Please contact

● Factory

Device Solutions Business Division
Industrial Solutions Company

Panasonic[®]

1006 Kadoma, Kadoma City, Osaka 571-8506,
JAPAN

The information in this catalog is valid as of August 2019.