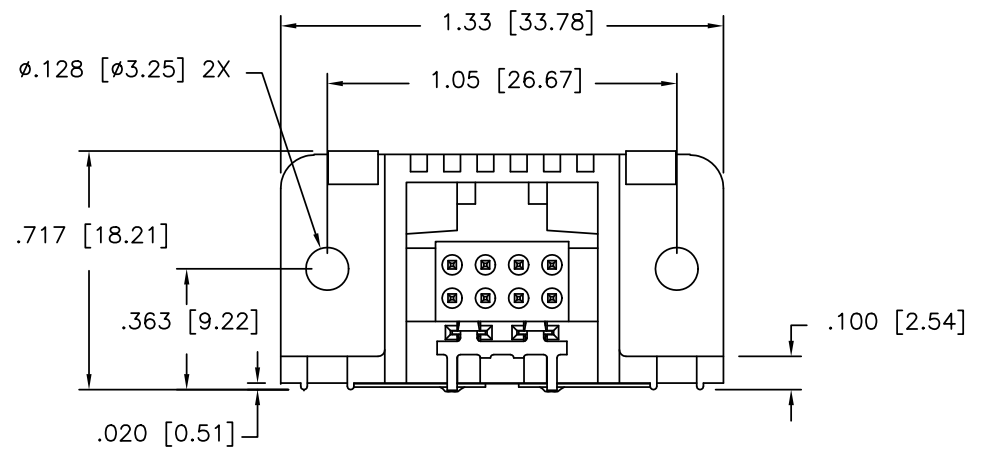
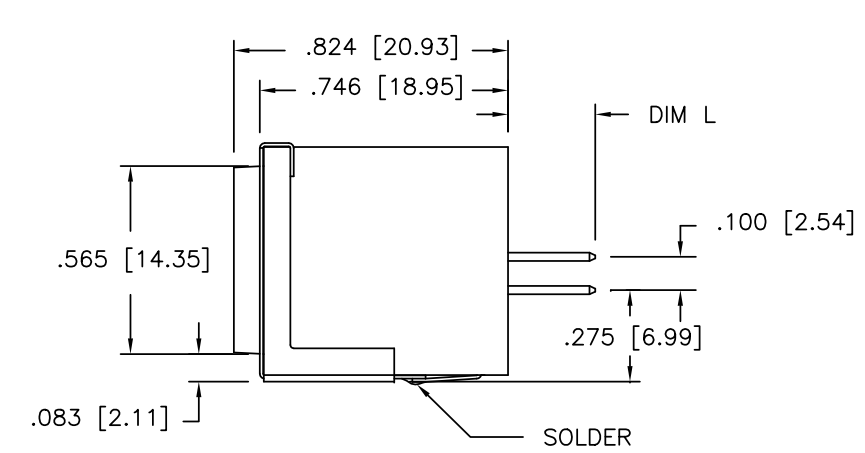
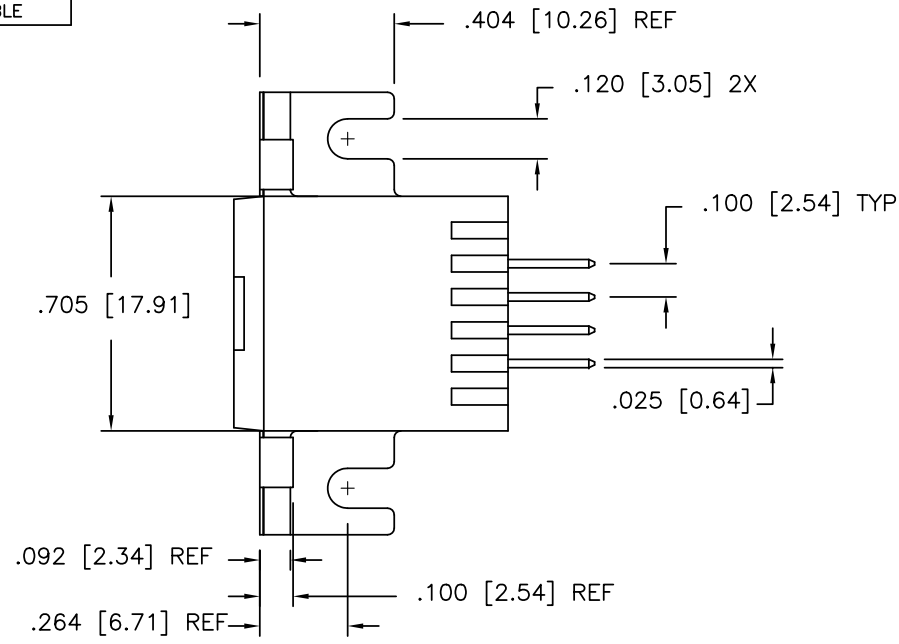


PRODUCT NUMBER
SEE TABLE



mat'l. code		surface ISO 1302 ✓		tolerance ISO 406 ISO 1101		projection ASME Y14.5		product family LATCH-N-LOK	
ltr ecn nodr date		tolerances unless otherwise specified		title		INCH/MM		2X4 LNL VERTICAL PANEL MT. PANEL GROUND HEADER ASS'Y	
H	ELX-N-008448	ZK	11/28/11	angles	line	scale 2:1		dwg no 78086 sheet 1 of 2 size A3	
C	V02231	TFG	10/11/00	0°±2'	XXXX±.005/0.004±0.13			type Product Customer Drawing	
D	V10986	TFG	2/22/01	chr	XXXX±.0020/0.001±0.05				
E	M05-0050	ERE	3/15/05	engr					
F	M06-0365	AGS	9/20/06	chr					
G	M09-0048	MHT	3/12/09	app					
sheet revision		H H							
index sheet		1 2							

Copyright FCI
 FCIconnect.com

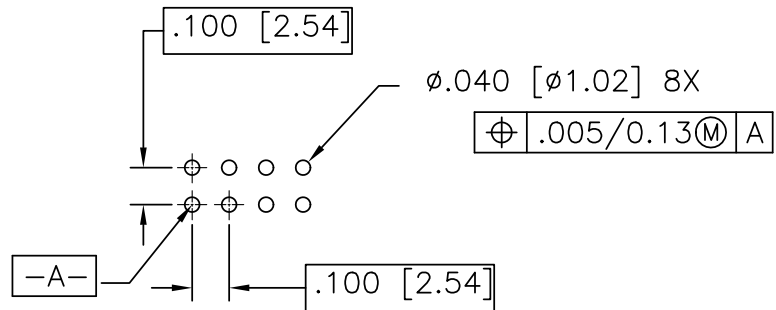
78086-XXXLF

LEAD FREE OPTION ⑥ ⑦

	COLOR ④	
1	70343-LT GRAY	OBS
2	80166 OFF WHITE	
3	70634-DK GRAY	OBS
4	701 BLACK	
5	70511-SLATE GRAY	OBS
7	70455 SILVER GRAY	
8	80189 PEARL WHITE	OBS
9	70419 PEBBLE GRAY	

	PLATING ③
0	30u" MIN OVER 50u"MIN Ni
3	30u" MIN OVER 50u"MIN Ni
5	50u" MIN OVER 50u"MIN Ni

	PIN LENGTH
	DIM L
0	.130/3.30
1	.230/5.84
2	.318/8.08



RECOMMENDED P.C.B. LAYOUT

NOTES:

1. HEADER SHROUD
MAT'L: HIGH TEMPERATURE THERMOPLASTIC.
UL-94V-0 RATED
2. GROUND CONTACT
MAT'L: COPPER ALLOY
PLATING: 100-160u"/2.54-4.06u" TIN
- ③ SIGNAL CONTACT
MAT'L: COPPER ALLOY
PLATING OPTION: PERFORMANCE PLATING WILL BE EITHER GOLD OR GXT ON CONTACT AREA OR TAIL, OPTIONALLY (78-295u") TIN ON TAIL.
- ④ NUMBERS SHOWN ARE FOR G.E. LEXAN AND ARE FOR REFERENCE ONLY.
5. THIS ASSEMBLY U.L. APPROVED PER FILE E66906, VOL. 1, SEC. 84 AND CSA APPROVED PER MASTER FILE LR 46923.
- ⑥ ADD LF SUFFIX AT THE END OF PART NUMBER FOR LEAD FREE OPTION.
7. THE HOUSING WILL WITHSTAND EXPOSURE TO 260°C PEAK TEMPERATURE FOR 15 SECONDS IN A WAVE SOLDER APPLICATION WITH A 1.5mm MINIMUM THICK CIRCUIT BOARD. SEE APPLICATION NOTES/PROCEDURES IF THEY ARE AVAILABLE.
8. THIS PRODUCT MEETS EUROPEAN UNION DIRECTIVES AND OTHER COUNTRY REGULATION AS DESCRIBED IN GS-22-008.
9. PRODUCT SPEC: GS-12-003

mat'l. code	surface ISO 1302 ✓	tolerance ISO 406 ISO 1101	projection INCH/MM	product family LATCH-N-LOK
ltr ecn nodr date	tolerances unless otherwise specified		title	
H	angles 0°±2'	linea XXX±.01/0.X±0.3 XXX±.005/0.XXX±0.13 XXXX±.0020/0.XXX±0.05	scale 2:1	2X4 LNL VERTICAL PANEL MT. PANEL GROUND HEADER ASS'Y
dr	M. CORNMAN	6/21/90	dwg no	sheet 2 of 2 size
engr	D. HORCHLER	6/21/90	78086	A3
chr	D. HORCHLER	6/21/90	type Product Customer Drawing	
appd	D. HORCHLER	6/21/90		
sheet index	revision sheet			



Copyright FCI