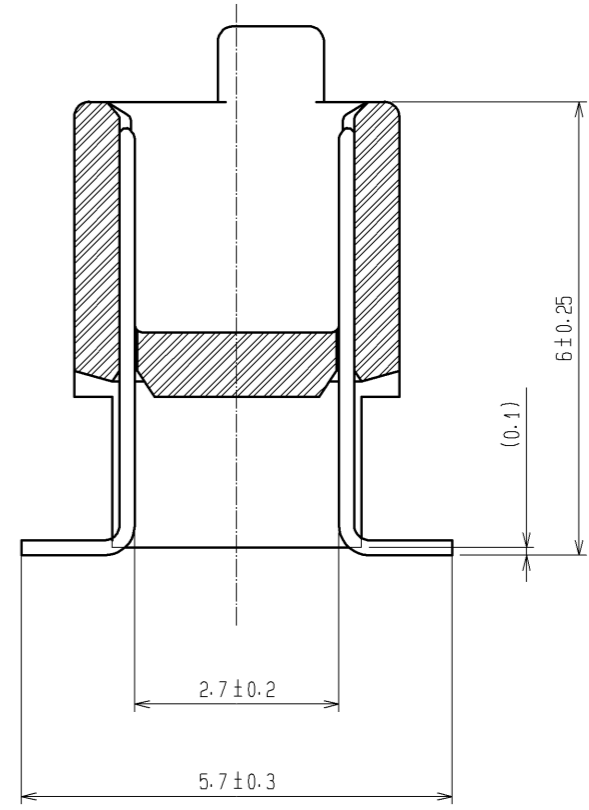
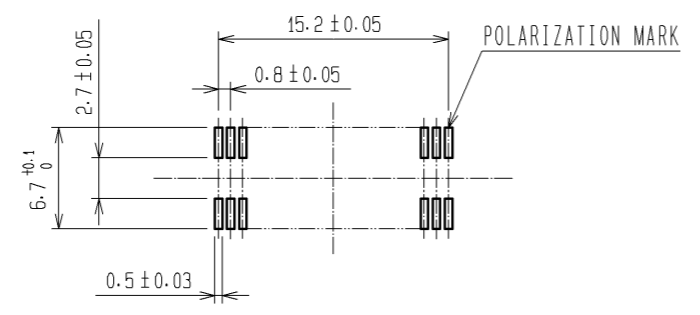


A-A (10:1)



RECOMMENDED LAND PATTERN DIMENSION OF PCB (MOUNTING SIDE)
(RECOMMENDED METAL MASK THICKNESS $t=0.15$)



- NOTES
1. HRS MARK SHOULD BE OPTIONAL.
 2. LEAD CO-PLANARITY SHALL BE 0.1mm MAX.
 3. FOR MODIFICATION, ETC., PREVENTIVE HOLE FOR SINK MARK MAY BE ADDED ACCORDING TO CIRCUMSTANCES.
 4. THE DIMENSIONS IN PARENTHESES ARE FOR REFERENCE.

1	PPS	LIGHT BROWN	UL94V-0	2	PHOSPHOR BRONZE	CONTACT AREA: GOLD 0.1 μ m min. LEAD AREA: TIN-PLATING 1 μ m min. UNDER PLATING: NICKEL 1 μ m min.
NO.	MATERIAL	FINISH . REMARKS		NO.	MATERIAL	FINISH . REMARKS
UNITS mm		SCALE 2 : 1	COUNT Δ	DESCRIPTION OF REVISIONS		DESIGNED
HRS HIROSE ELECTRIC CO., LTD.		APPROVED : HS. OKAWA	05.11.01	DRAWING NO. EDC3-071321-25		CHECKED
		CHECED : HS. OZAWA	05.11.01	PART NO. FX6A-40P-0.8SV2(71)		DATE
		DESIGNED : TK. YANAGISAWA	05.11.01	CODE NO. CL576-0243-2-71		
		DRAWN : TK. YANAGISAWA	05.11.01			