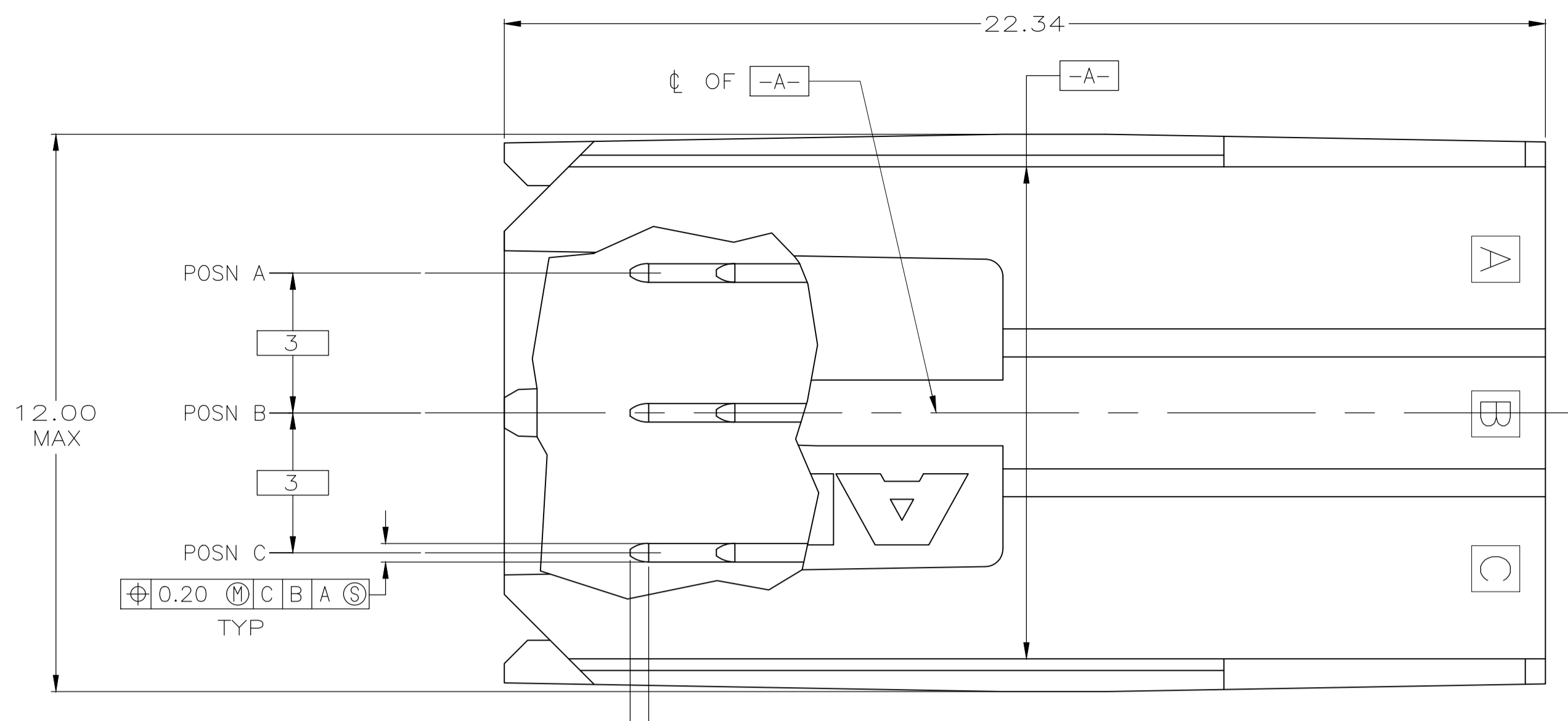
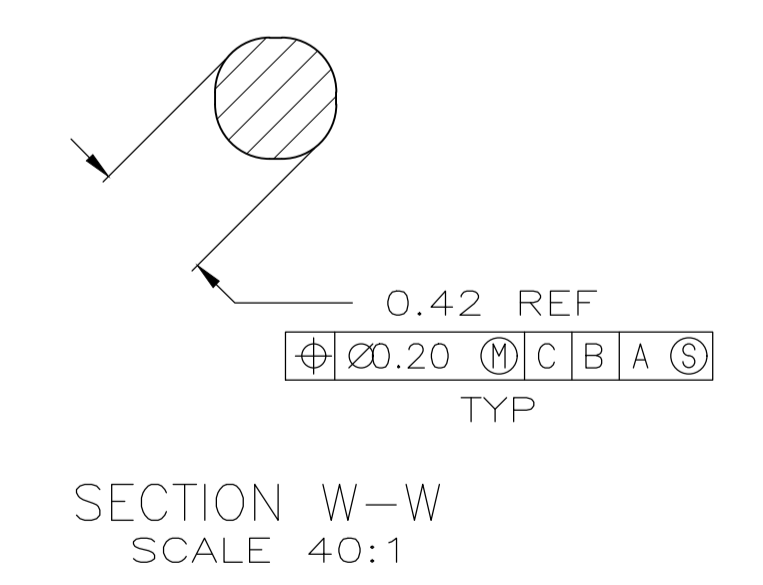
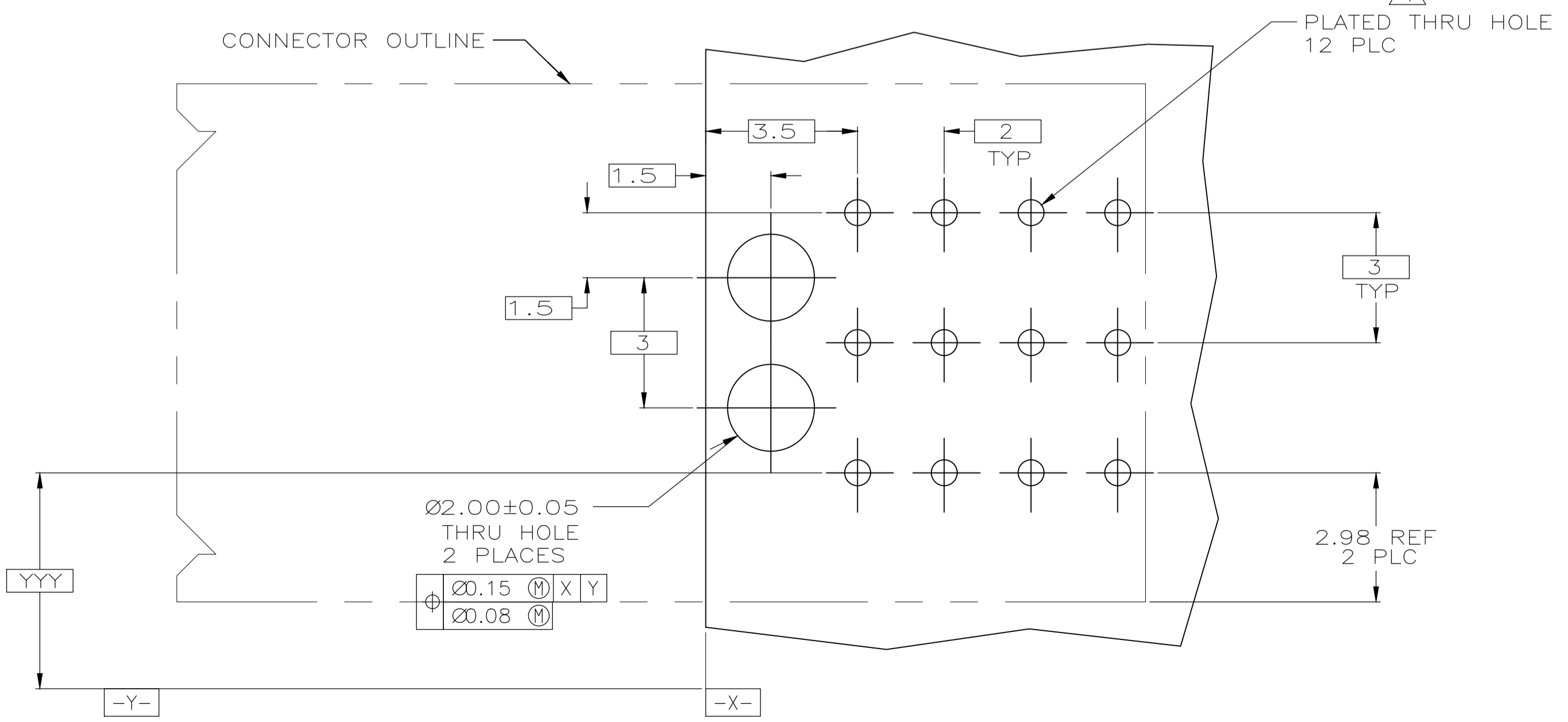
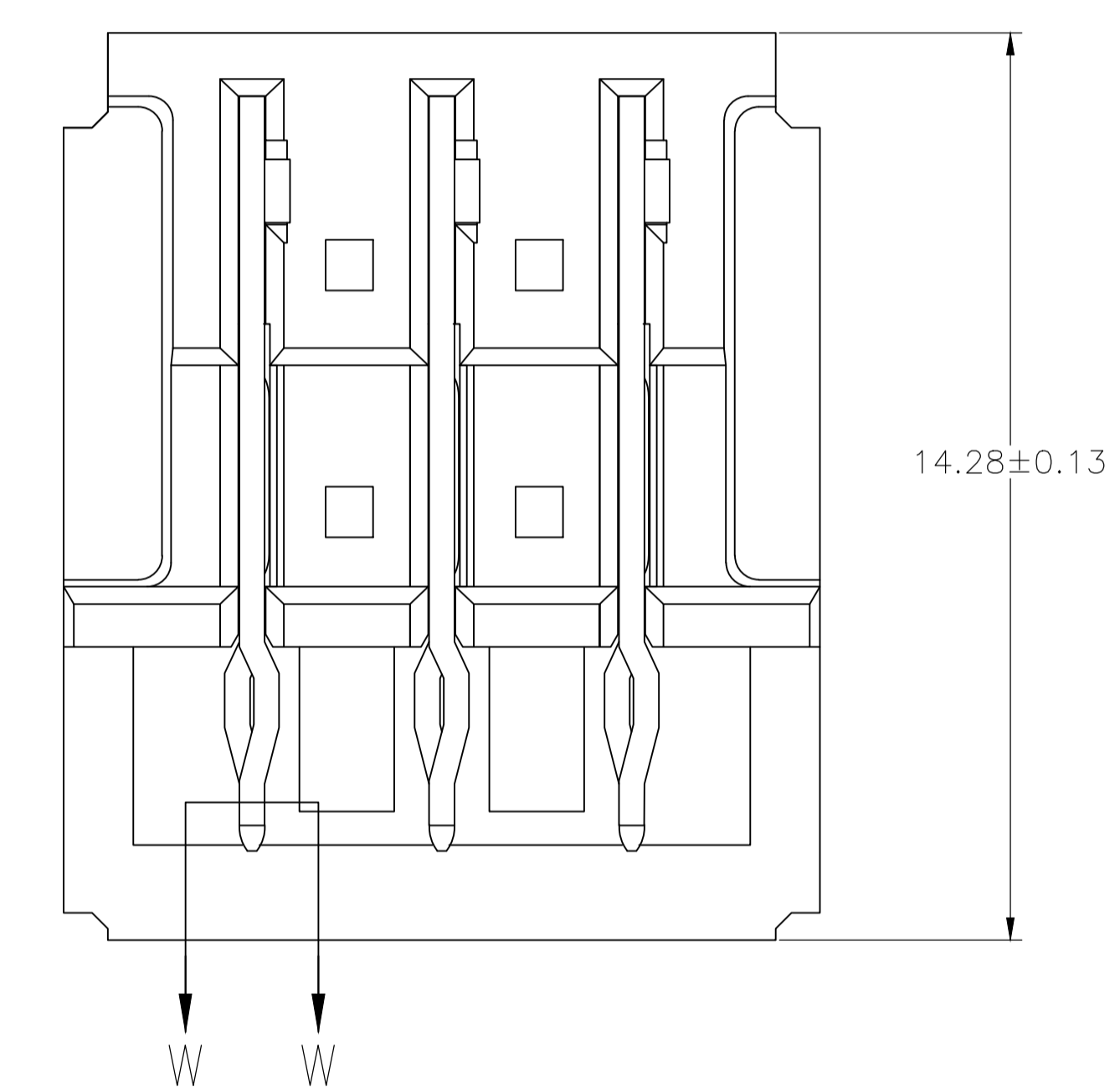
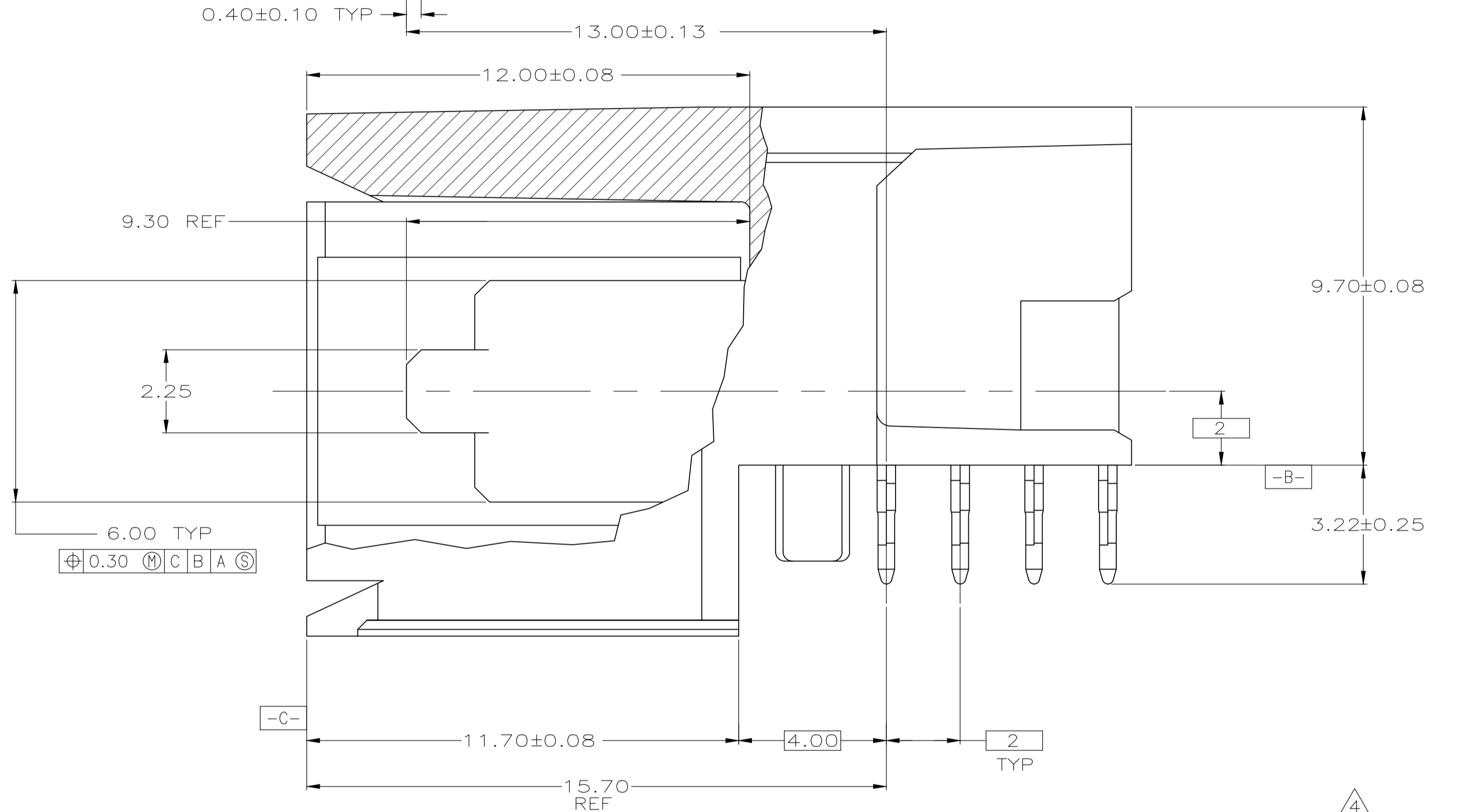
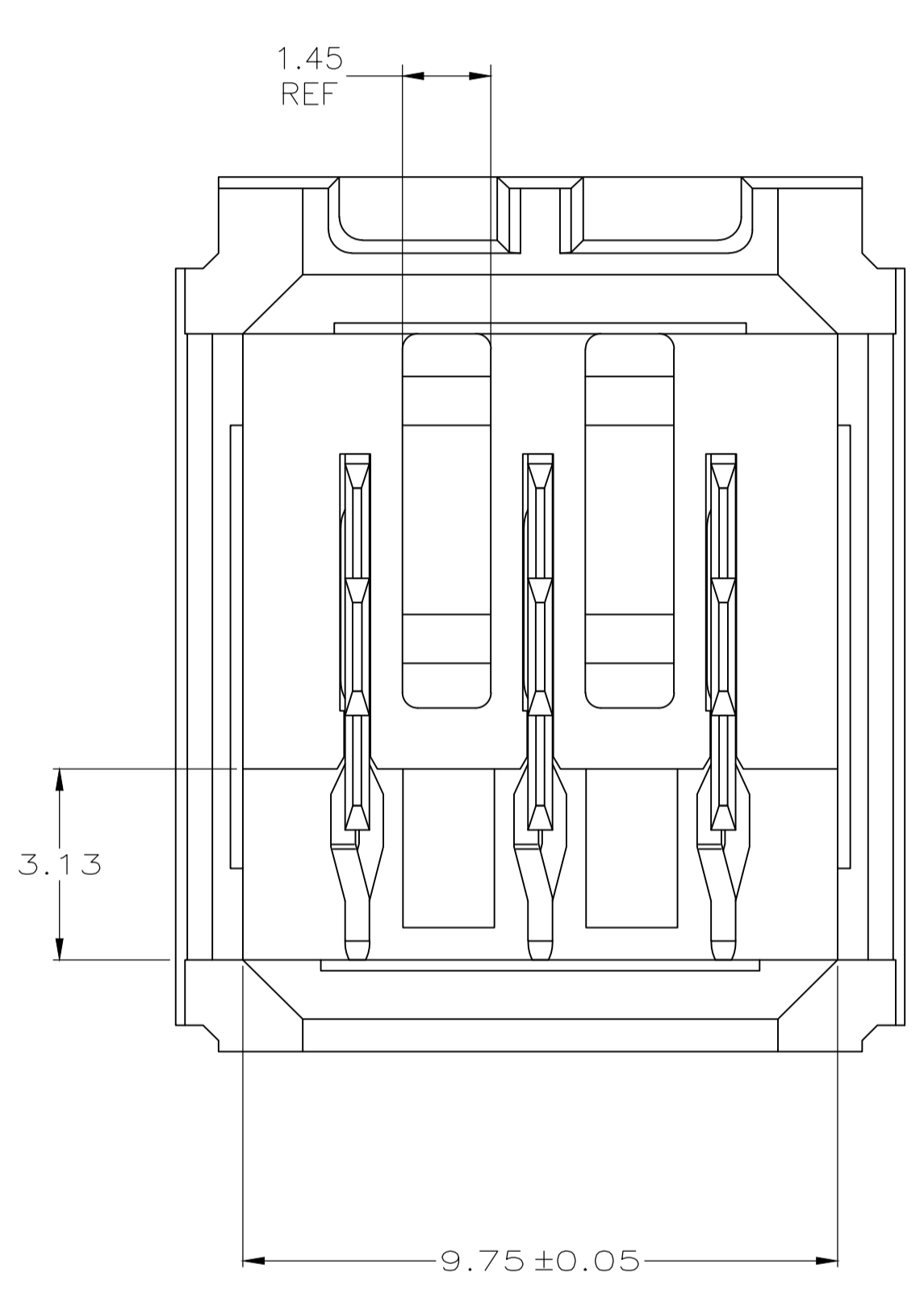


REVISONS		DATE	BY	APP'D
AD	00	10JUN2020	ML	SZ
D1	REV PER ECO-20-004668			



- 1 MATERIAL: HOUSING: POLYESTER. COLOR: GREY.
CONTACT: COPPER ALLOY.
- 2 FINISH: IN ACCORDANCE WITH PRODUCT SPECIFICATION 108-1651, GOLD PLATING OR EQUIVALENT PLATING ON PRODUCT CONTACT MATING AREA, AND MATTE TIN PLATING ON COMPLIANT PIN AREA, ALL OVER MATTE NICKEL UNDERPLATED. DETAIL PLEASE REFER TO PRODUCT SPECIFICATION 108-1651.
- 3 FINISH: CONTACT LUBRICATION WITH BELLCORE APPROVED LUBRICANT. TECHNICAL REFERENCE: TR-NWT-001217 ISSUE 1, SEPT 1992.
- 4 REFERENCE APPLICATION SPEC 114-1103 FOR RECOMMENDED PLATED THRU HOLE DIAMETER AND PLATING THICKNESS.



RECOMMENDED PCB HOLE LAYOUT

5223993-1
PART NUMBER

THIS DRAWING IS A CONTROLLED DOCUMENT.		DIN: B. CARBO 14DEC04	Tyco Electronics Corporation Harrisburg, Pa 17105-3608	
DIMENSIONS: mm		CHK: R. PATTERSON 14DEC04	NAME: R. PATTERSON 14DEC04	
TOLERANCES UNLESS OTHERWISE SPECIFIED:		PRODUCT SPEC: 108-1651		
0 PLC ± -		APPLICATION SPEC: 114-1103		
1 PLC ± 0.13		SIZE: A1		
2 PLC ± 0.13		CAGE CODE: 00779		
3 PLC ± -		DRAWING NO: 5223993		
4 PLC ± -		RESTRICTED TO: -		
ANGLES ± -		CUSTOMER DRAWING		
MATERIAL: 1		SCALE: 10:1		
FINISH: 2, 3		SHEET: 1 of 1		
		REV: D1		