

## Cable clamp - WCC 14 - 3240252

Please be informed that the data shown in this PDF Document is generated from our Online Catalog. Please find the complete data in the user's documentation. Our General Terms of Use for Downloads are valid (<http://phoenixcontact.com/download>)




Cable clamp, for DIN rails

### Why buy this product

- ✓ Individual or bundled cables with a diameter of up to 14 mm can be installed safely and easily
- ✓ The halogen-free plastic troughs have been designed to be perfectly secure while simultaneously protecting the conductors
- ✓ The cable clamps provide strain relief



### Key Commercial Data

Packing unit	25 STK
GTIN	 4 046356 464543
GTIN	4046356464543

### Technical data

#### Dimensions

Cable diameter	6 mm ... 14 mm
----------------	----------------

#### General

Material	Steel
Coating	galvanized

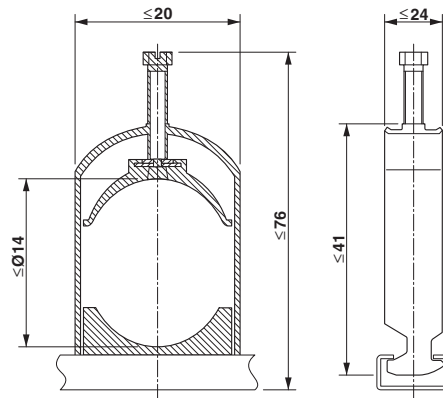
#### Environmental Product Compliance

China RoHS	Environmentally friendly use period: unlimited = EFUP-e
	No hazardous substances above threshold values

### Drawings

## Cable clamp - WCC 14 - 3240252

Dimensional drawing



---

Phoenix Contact 2018 © - all rights reserved  
<http://www.phoenixcontact.com>

PHOENIX CONTACT GmbH & Co. KG  
Flachsmarktstr. 8  
32825 Blomberg  
Germany  
Tel. +49 5235 300  
Fax +49 5235 3 41200  
<http://www.phoenixcontact.com>