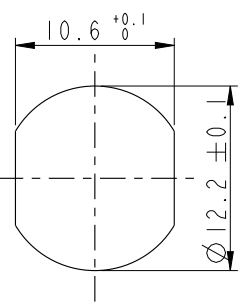
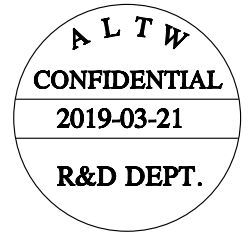
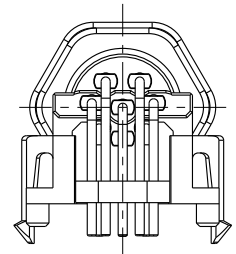
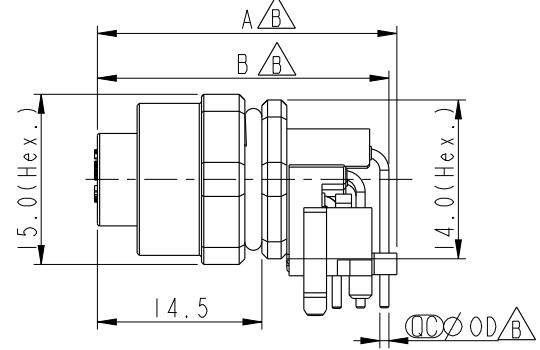
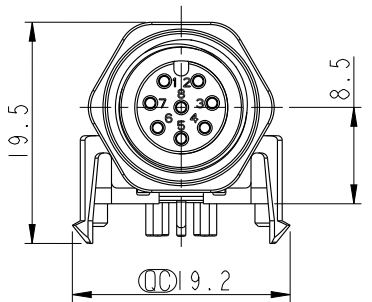
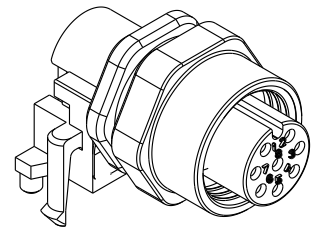
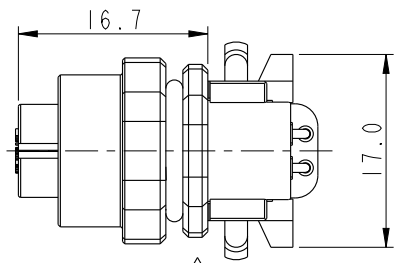


THIS DOCUMENT IS SUBJECT TO CHANGE WITHOUT NOTICE. IT IS CONFIDENTIAL AND A PROPERTY OF Amphenol LTW. DISCLOSURE TO THIRD PARTY HAS TO BE AUTHORIZED BY Amphenol LTW.

REV.	ECN NO.	DATE	SIGN	DESCRIPTION
B	C190510	2019-03-21	Su Nan	Add The Size Table

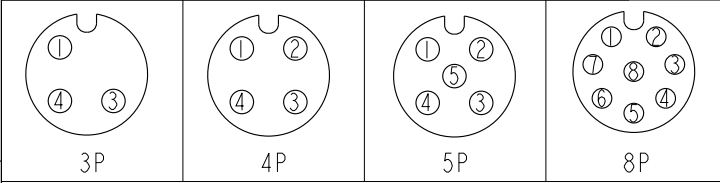


Recommended Panel Cut-Out

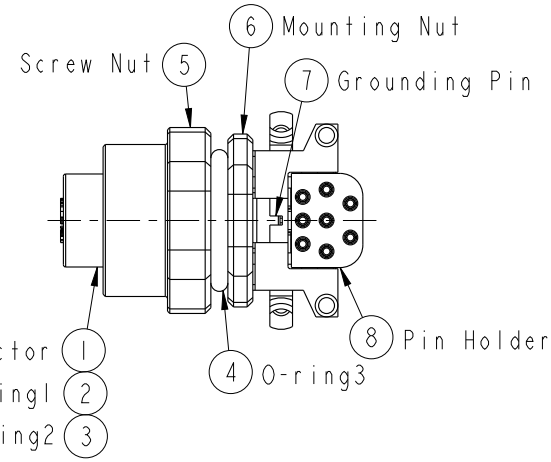


MSAS-03PFFR-SF7003	26.6	25.5	1.0
MSAS-04PFFR-SF7003	26.6	25.5	1.0
MSAS-05PFFR-SF7003	26.6	25.5	1.0
MSAS-08PFFR-SF7003	26.4	25.7	0.8

Item No.	A	B	OD
----------	---	---	----



Pin Assignment Front View



Note:

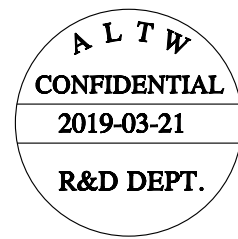
- * \varnothing Important Dimension To Check.
- * Waterproof Rating: IP67(Mated Waterproof)
- * Connector: PBT+PC, Black
- * Female Pins: Copper Alloy, Gold Plated
- * Mounting Nut: Zinc Alloy, Nickel Plated
- * Screw Nut: Zinc Alloy, Nickel Plated
- * Grounding Pin: Copper Alloy, Nickel Plated
- * O-ring1: Silicon, Black
- * O-ring2: Silicon, Gray
- * O-ring3: Silicon, Gray
- * Pin Holder: PBT+PC, Black
- * Rated Voltage: 3 & 4Pin 250V dc. or ac.
5Pin 60V dc. or ac.
8Pin 30V dc. or ac.
- * Rated Current: 3~5Pin 4A
8Pin 2A
- * For Panel Thickness Max. 3.0mm
- * For PCB Thickness Max. 1.5mm

UNIT: mm		TITLE M12, 90° Panel, Shielded FCONN FPIN (Mated Waterproof)
TOLERANCE .X ±0.25 .XX ±0.1 .XXX ±0.05 ANGLES ±1°	SCALE 3:2	SIZE A4
	REV. B	SHEET 1 OF 2
	WC-REV. A.3	QC: Inspection item

Amphenol LTW
安費諾亮泰企業股份有限公司

ITEM NO. MSAS-XXPFFR-SF7003	DRAWN BY Su Nan	DATE 2019-03-21
DWG NO. MSAS-XXPFFR-SF7003	CHECKED BY Feng	DATE 2019-03-21
CUSTOMER ALTW	APPROVED BY Jerry	DATE 2019-03-21

THIS DOCUMENT IS SUBJECT TO CHANGE WITHOUT NOTICE. IT IS CONFIDENTIAL AND A PROPERTY OF Amphenol LTW. DISCLOSURE TO THIRD PARTY HAS TO BE AUTHORIZED BY Amphenol LTW.



M SAS - XX P F F R - S F 7 003

12A: A-Code Shielded

03: 3Pin
04: 4Pin
05: 5Pin
08: 8Pin

P: Panel (板端)

F: Female Connector (母座)

003: M12*1.0

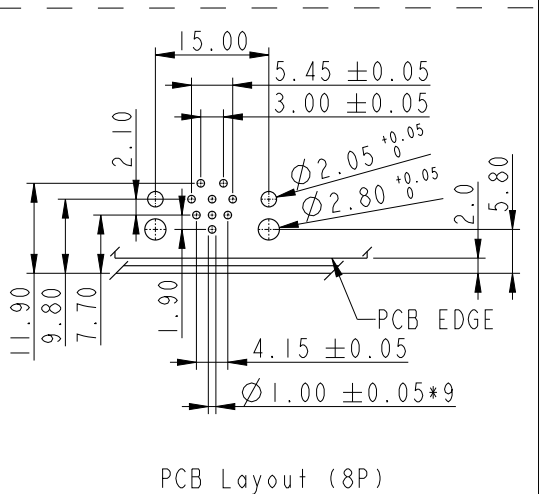
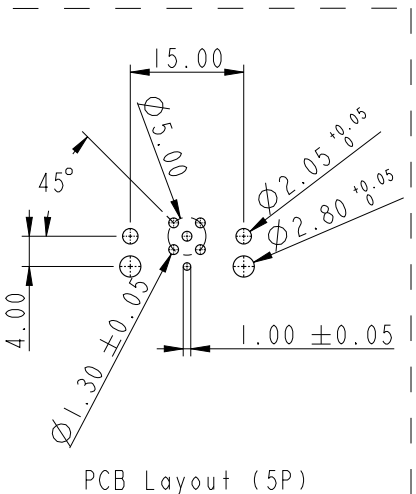
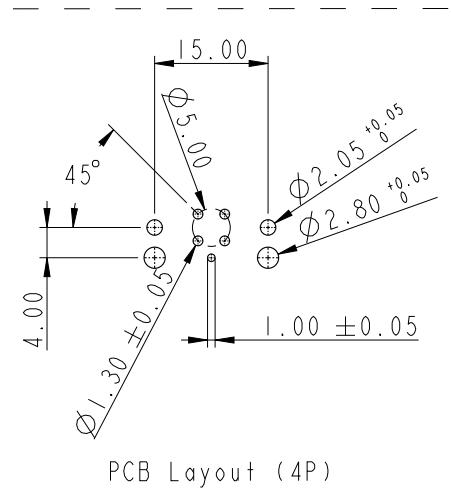
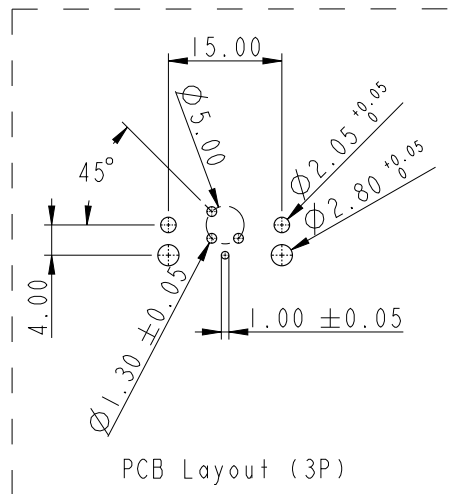
7: IP67 (防水等級67)

F: Front Fasten (前鎖式/Enclosure Rear Mount)

S: Screw (螺紋式)

R: 90° PCB THT/DIP Type (90° 基板插件式)

F: Female Pin (母Pin)



UNIT: mm		
TOLERANCE	.X ±0.25	
.XX ±0.1	.XXX ±0.05	
ANGLES	±1°	

TITLE M12, 90° Panel, Shielded FCONN FPIN (Mated Waterproof)		
SCALE 3:2	SIZE A4	SHEET 2 OF 2
REV. B	WC-REV. A.3	Inspection item

Amphenol LTW
安費諾亮泰企業股份有限公司

ITEM NO MSAS-XXPFFR-SF7003	DRAWN BY Su Nan	DATE 2019-03-21
DWG NO MSAS-XXPFFR-SF7003	CHECKED BY Feng	DATE 2019-03-21
CUSTOMER ALTW	APPROVED BY Jerry	DATE 2019-03-21

DATE 2019-03-21
DATE 2019-03-21
DATE 2019-03-21