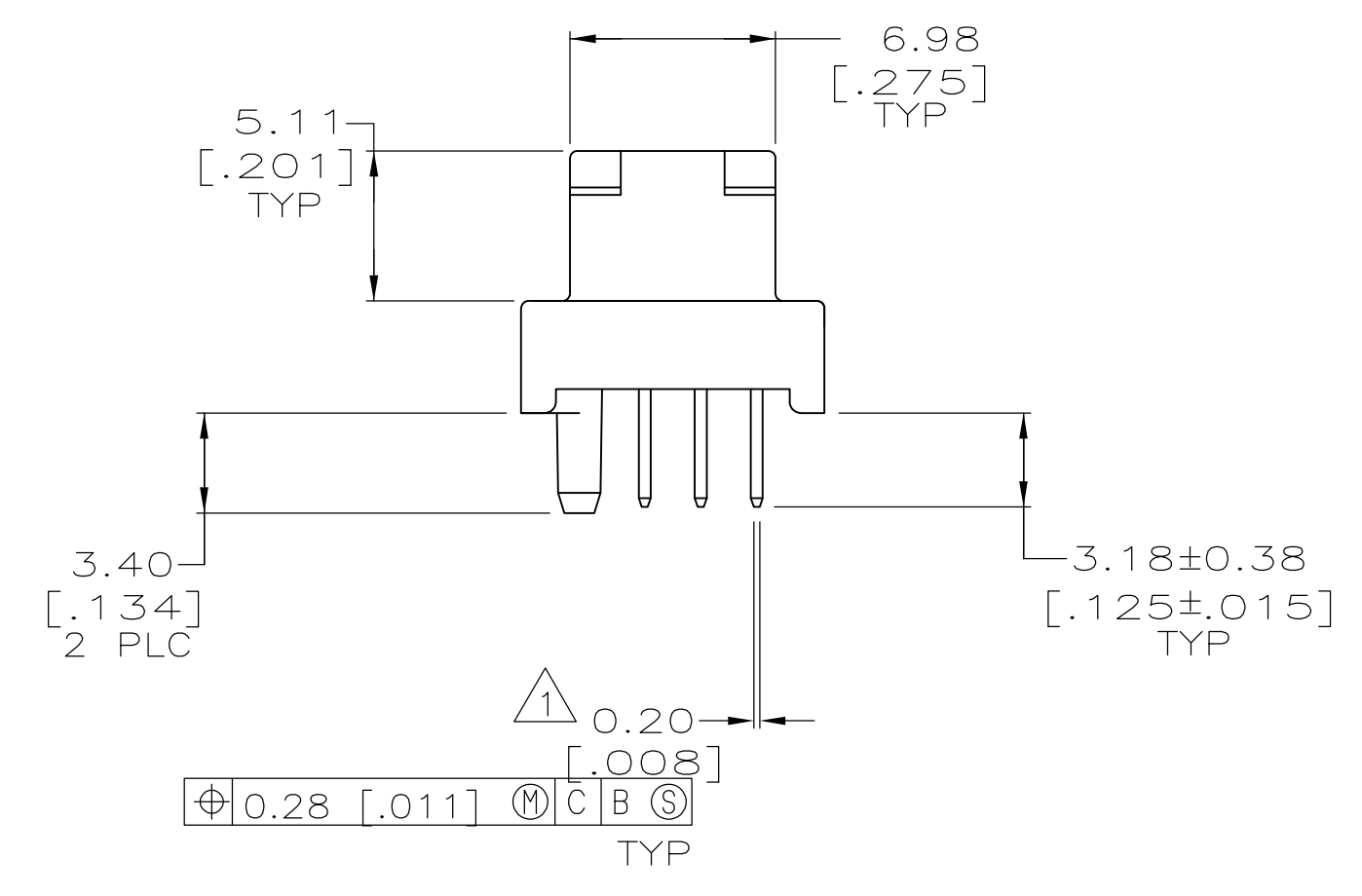
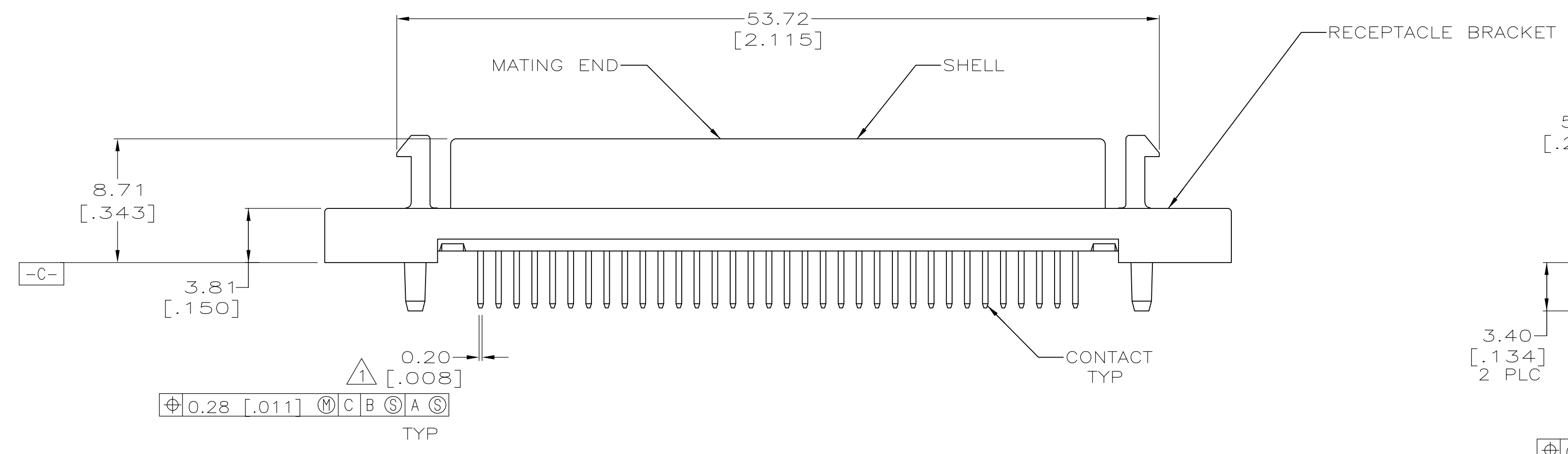
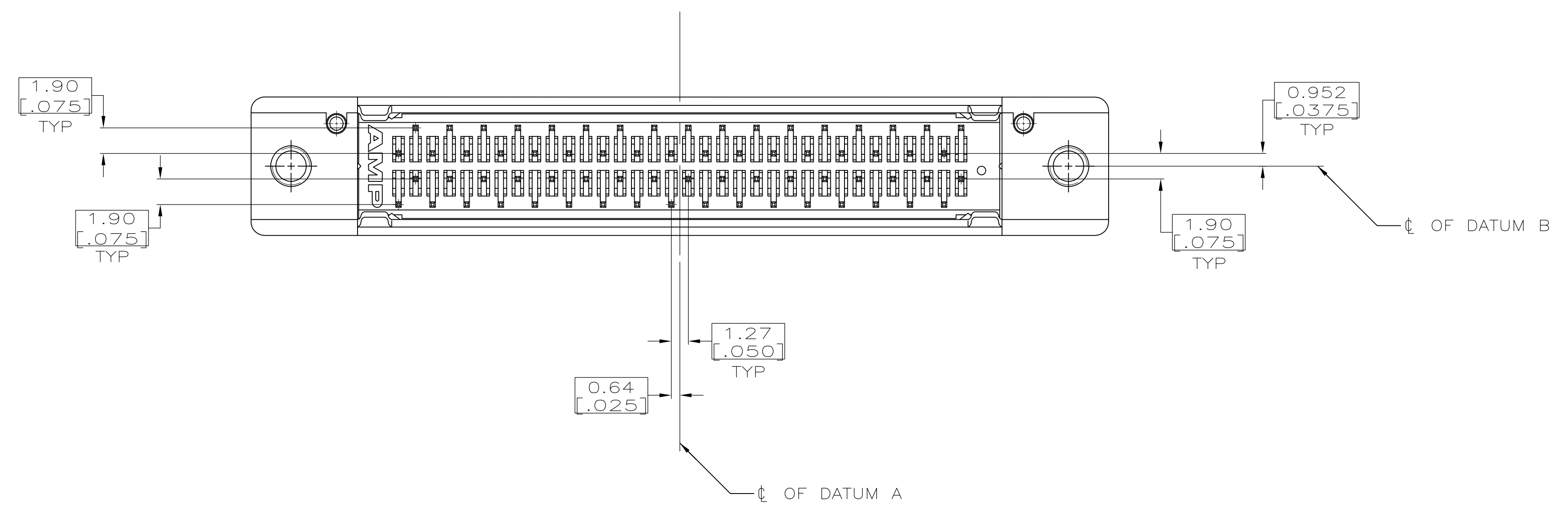


P.C. BOARD MOUNTING DIMENSIONS
(CONNECTOR SIDE)



- △ POSITION TOLERANCE APPLIES AT CONTACT TIP.
- △ MATERIAL
 RECEPTACLE HOUSING: POLYESTER, UL 94V-0 RATED, BLACK.
 SHELL: CARBON STEEL PER ASTM A109.
 CONTACT: PHOSPHOR BRONZE PER QQ-B-750.
 RECEPTACLE BRACKET: ZINC.
- △ FINISH
 SHELL: 5.08µm [.000200] MIN NICKEL OVER 1.27µm [.000050] MIN COPPER.
 RECEPTACLE BRACKET: 5.08µm [.000200] MIN TIN OVER 5.08µm [.000200] MIN COPPER.
 CONTACT: EITHER 0.76µm [.000030] MIN GOLD FOR A LENGTH OF 0.64 [.025] MIN, 0.13 [.005] MAX FROM MATING END OR GOLD FLASH OVER PALLADIUM NICKEL, 0.76µm [.000030] MIN TOTAL FOR A LENGTH OF 0.64 [.025] MIN, 0.13 [.005] MAX FROM MATING END. 3.81µm [.000150] MIN TIN-LEAD ON OPPOSITE END FOR A LENGTH OF 3.56 [.140] MIN, ALL OVER 1.27µm [.000050] MIN NICKEL UNDERPLATE.



796048-1
PART NUMBER

THIS DRAWING IS A CONTROLLED DOCUMENT.		DWN C.DORWART 23 OCT 97	Tyco Electronics Corporation Harrisburg, PA 17105-3608	
DIMENSIONS: mm [INCHES]		CHK D.ALBERT 05 NOV 97	NAME D.ALBERT 05 NOV 97	
TOLERANCES UNLESS OTHERWISE SPECIFIED:		PRODUCT SPEC 108-1228	RECEPTACLE ASSEMBLY, 68 POSITION, SHIELDED, VERTICAL, .050 SERIES, AMPLIMITE	
0 PLC ± -	1 PLC ± -	APPLICATION SPEC 114-40029	SIZE A1	RESTRICTED TO
2 PLC ± 0.13 [.005]	3 PLC ± -	WEIGHT -	CAGE CODE DRAWING NO 00779	SCALE 4:1
4 PLC ± -	ANGLES ± -	CUSTOMER DRAWING	796048	SHEET 1 OF 1
	FINISH △			REV D