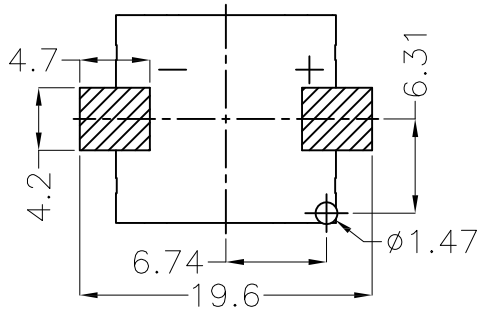
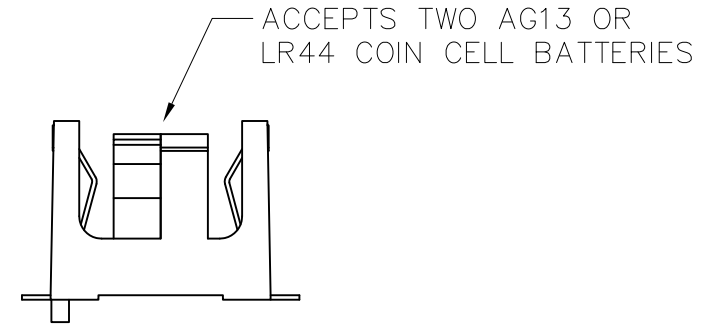
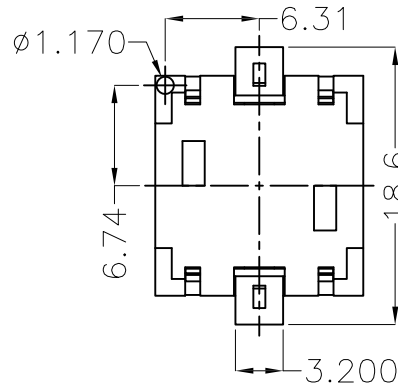
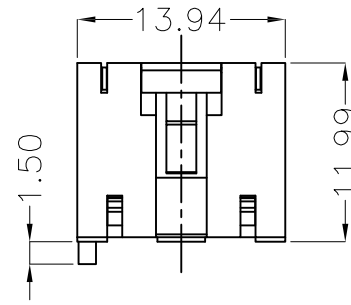
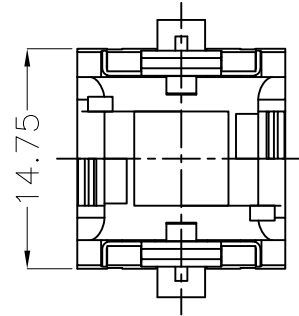


APPROVED: _____
 DATE: _____ TITLE: _____

| Rev | AWO # | Description | Date | Appr |
|-----|-------|----------------|---------|-------|
| - | | RELEASED | 7/30/15 | |
| A | | UPDATE DRAWING | 3/18/20 | LH/MY |



RECOMMENDED PCB LAYOUT



| PART NO. | MATERIAL |
|------------|-------------|
| BH-82-5-1A | PBT, BLACK |
| BH-82-5-1B | PA66, BLACK |
| BH-82-5-2A | PPA, BROWN |
| BH-82-5-2B | PPA, BLACK |
| BH-82-5-3A | PPS, BROWN |
| BH-82-5-3B | PPS, BLACK |
| BH-82-5-4A | LCP, WHITE |
| BH-82-5-4B | LCP, BLACK |

SPECIFICATIONS:

Material:
 Housing: (See chart)
 Housing Color: (See chart)
 Contact: Phosphor Bronze, Gold Plated
 Electrical:
 Contact resistance: 30 Milliohms max
 Insulation resistance: 1,000 Megaohms ohms min
 Dielectric Voltage: 500 VAC one sec level
 Temperature Rating:
 Operating temperature: -25°C to +85°C.
 Environmental:
 Lead free, RoHS compliant



UNLESS OTHERWISE SPECIFIED
 ALL DIMENSIONS ARE MILLIMETERS
 TOLERANCES: EXCEPT AS NOTED
 MM ANGLE
 X ± 0.30 X ± 1°
 X.X ± 0.25 X.X ± 0.5°
 X.XX ± 0.20
 X.XXX ± 0.10

ADAM TECH INTERCONNECTS
 909 Rahway Avenue,
 Union, NJ 07083
 Phone: 908-687-5000
 Fax: 908-687-5710

| APPROVALS | | DATE |
|-----------|----|---------|
| DRAWN | HR | 8/17/15 |
| CHECKED | NC | 8/17/15 |
| APPROVED | | |

| | | | |
|---------------------------------------------------------------------|------------------------|--------------|--|
| TITLE BATTERY HOLDER, SMT TYPE, FOR TWO AG13 / LR44 COIN CELL | | | |
| SIZE X | PART NO. BH-82-5-XX | REV. A | |
| REF: S00138C | SCALE: NTS | SHEET 1 OF 1 | |